



US00D908209S

(12) **United States Design Patent** (10) **Patent No.:** **US D908,209 S**
Ronayne et al. (45) **Date of Patent:** **** Jan. 19, 2021**

(54) **NASAL CANNULA**
(71) Applicant: **Fisher & Paykel Healthcare Limited,**
Auckland (NZ)
(72) Inventors: **Michael Paul Ronayne,** Auckland
(NZ); **Leon Tyler Stanley,** Auckland
(NZ); **Daniel Charles Wilson,**
Auckland (NZ); **Robert Andrew David**
Milne, Auckland (NZ); **Chelsea Erin**
Johnson, Auckland (NZ); **Graeme**
Lachlan Vincent, Auckland (NZ)

(73) Assignee: **Fisher & Paykel Healthcare Limited,**
Auckland (NZ)

(**) Term: **15 Years**

(21) Appl. No.: **29/655,354**

(22) Filed: **Jul. 2, 2018**

Related U.S. Application Data

(62) Division of application No. 29/559,013, filed on Mar.
23, 2016, now Pat. No. Des. 825,053.

(51) **LOC (13) Cl.** **24-02**

(52) **U.S. Cl.**
USPC **D24/112**

(58) **Field of Classification Search**
USPC D24/110, 110.1–110.6, 112–114, 108,
D24/130, 127, 133, 186; 128/206.11,
128/207.11, 207.13, 207.18, 205.25,
128/207.1, 200.24, 204.11
CPC A61M 16/0683; A61M 16/0672; A61M
16/0816

See application file for complete search history.

(56) **References Cited**

U.S. PATENT DOCUMENTS

D650,070 S * 12/2011 Mori D24/113
D652,137 S * 1/2012 Nino D24/133

D677,382 S * 3/2013 Foley D24/114
D695,394 S * 12/2013 Takemoto D24/113
D695,395 S * 12/2013 Tani D24/113
D717,942 S * 11/2014 Neff D24/127
D724,720 S * 3/2015 O'Connor D24/112
D732,411 S * 6/2015 Waaler D10/81
D747,461 S * 1/2016 Tam D24/110.1
D748,781 S * 2/2016 Zhang D24/133
D756,817 S * 5/2016 Fries D10/78
D757,250 S * 5/2016 Veliss D24/110.4
D760,379 S * 6/2016 Smith D24/110.4
D770,034 S * 10/2016 McNall, III D24/108
D771,244 S * 11/2016 Takemoto D24/113

* cited by examiner

Primary Examiner — David G Muller

(74) *Attorney, Agent, or Firm* — Knobbe, Martens, Olson
& Bear, LLP

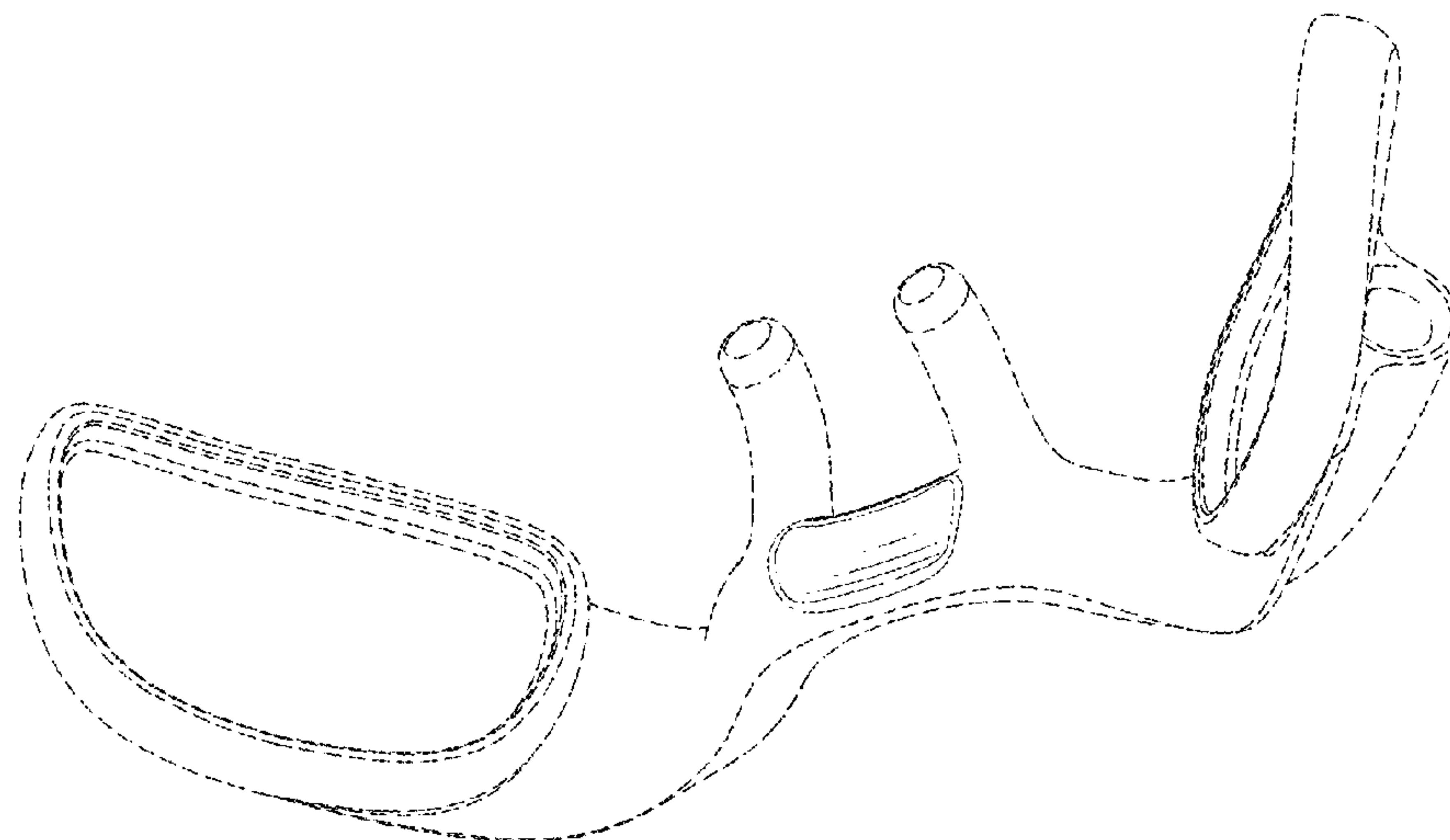
(57) **CLAIM**

The ornamental design for a nasal cannula, as shown and
described.

DESCRIPTION

FIG. 1 is a top and front perspective view of a nasal cannula
embodying our new design;
FIG. 2 is a rear perspective view thereof;
FIG. 3 is a front view thereof;
FIG. 4 is a rear view thereof;
FIG. 5 is a top view thereof;
FIG. 6 is a bottom view thereof;
FIG. 7 is a first side view thereof; and,
FIG. 8 is a second side view thereof.
Broken lines are used to illustrate features of the nasal
cannula which form no part of the claimed design. Dash-dot
lines are used to illustrate features of the nasal cannula
which form no part of the claimed design.

1 Claim, 4 Drawing Sheets



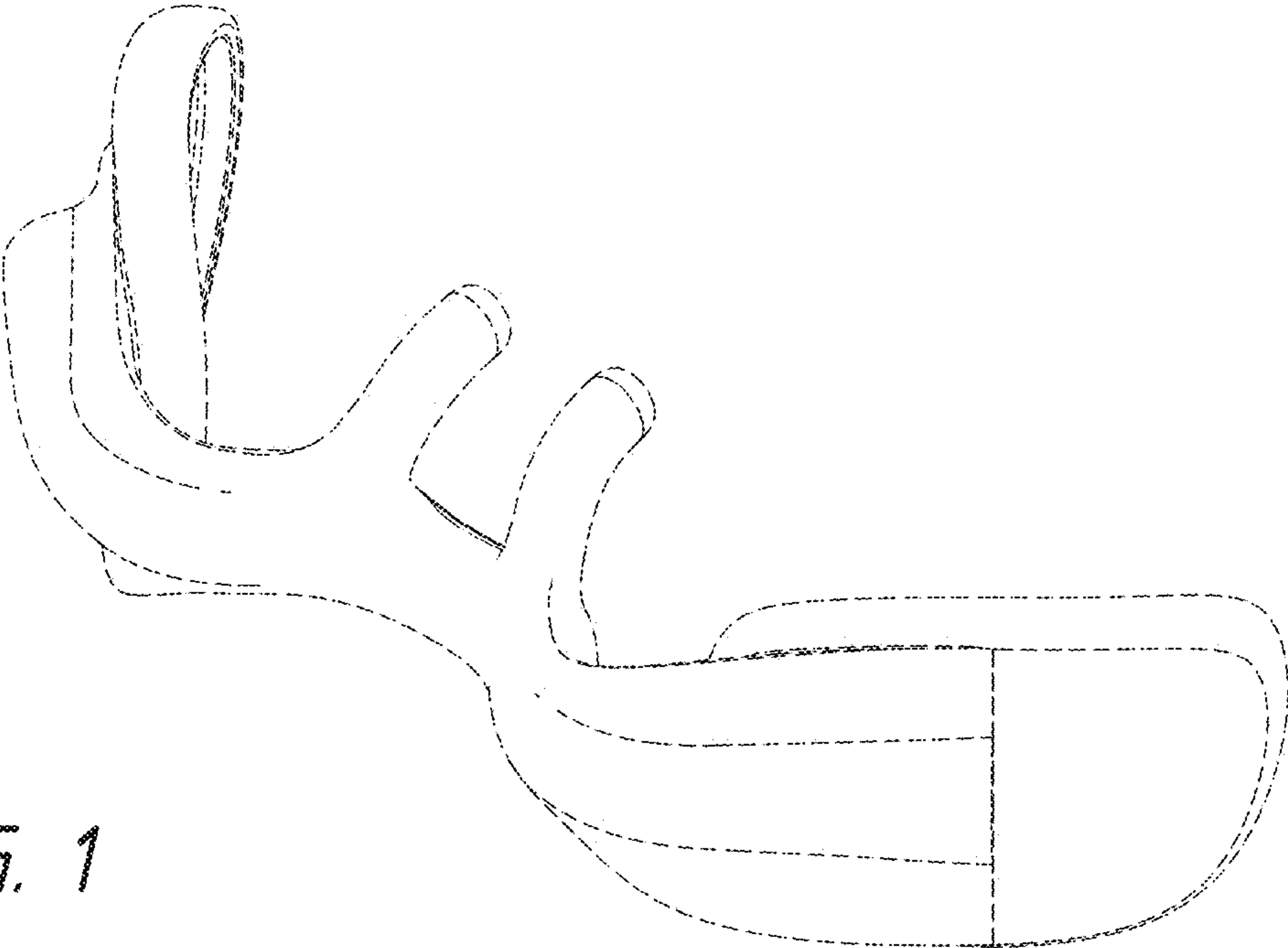


FIG. 1

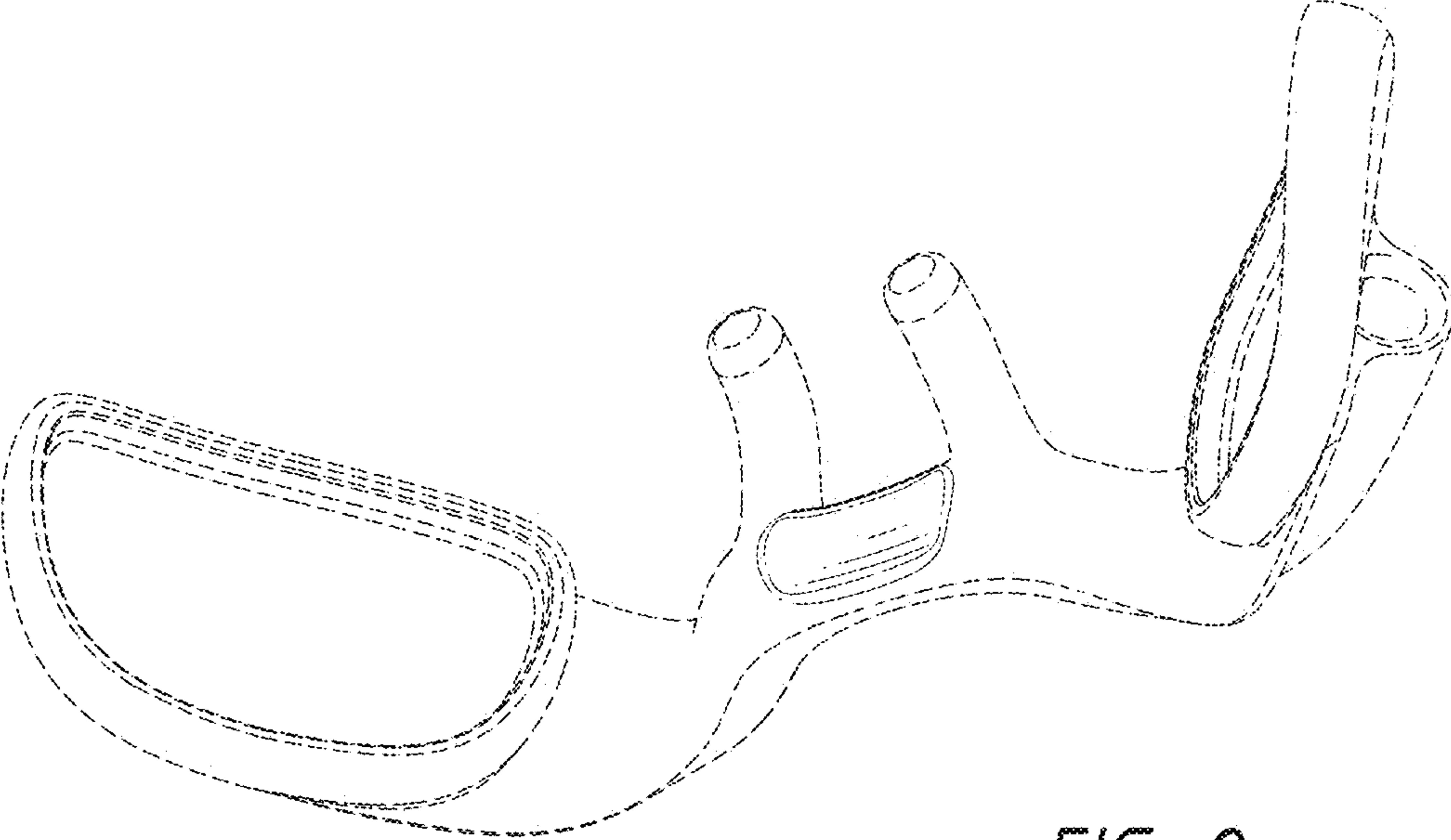


FIG. 2

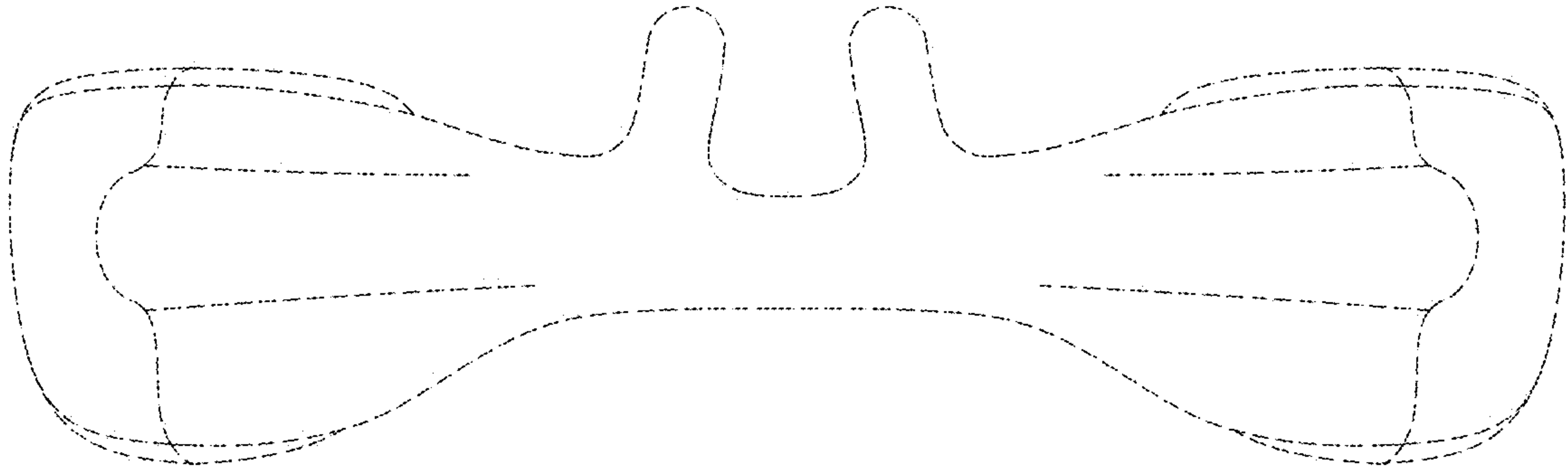


FIG. 3

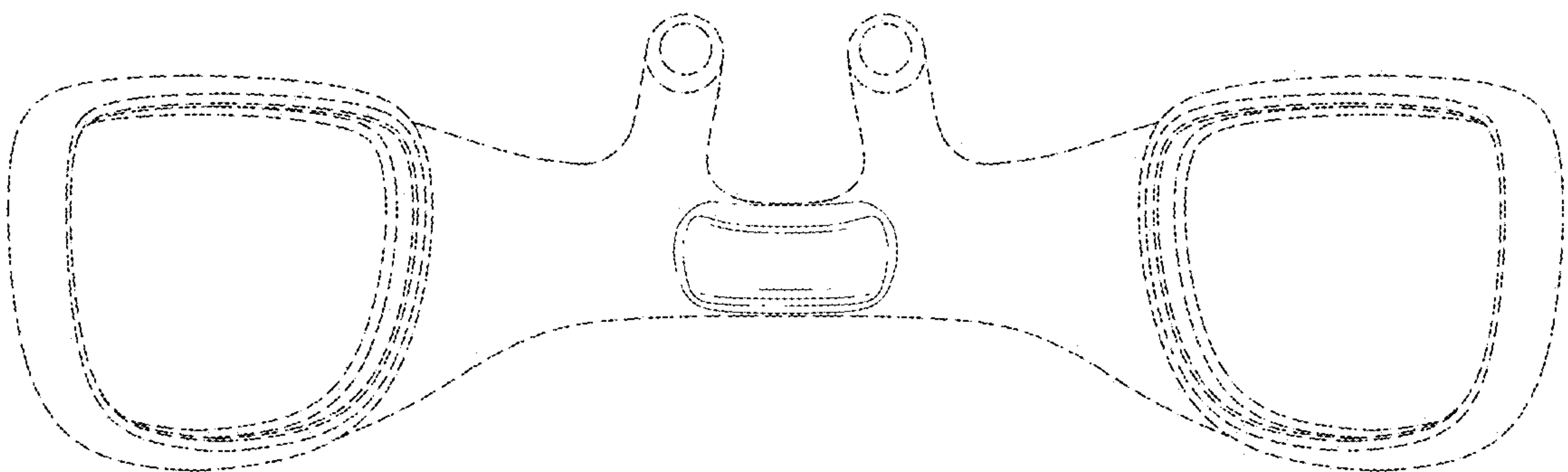


FIG. 4

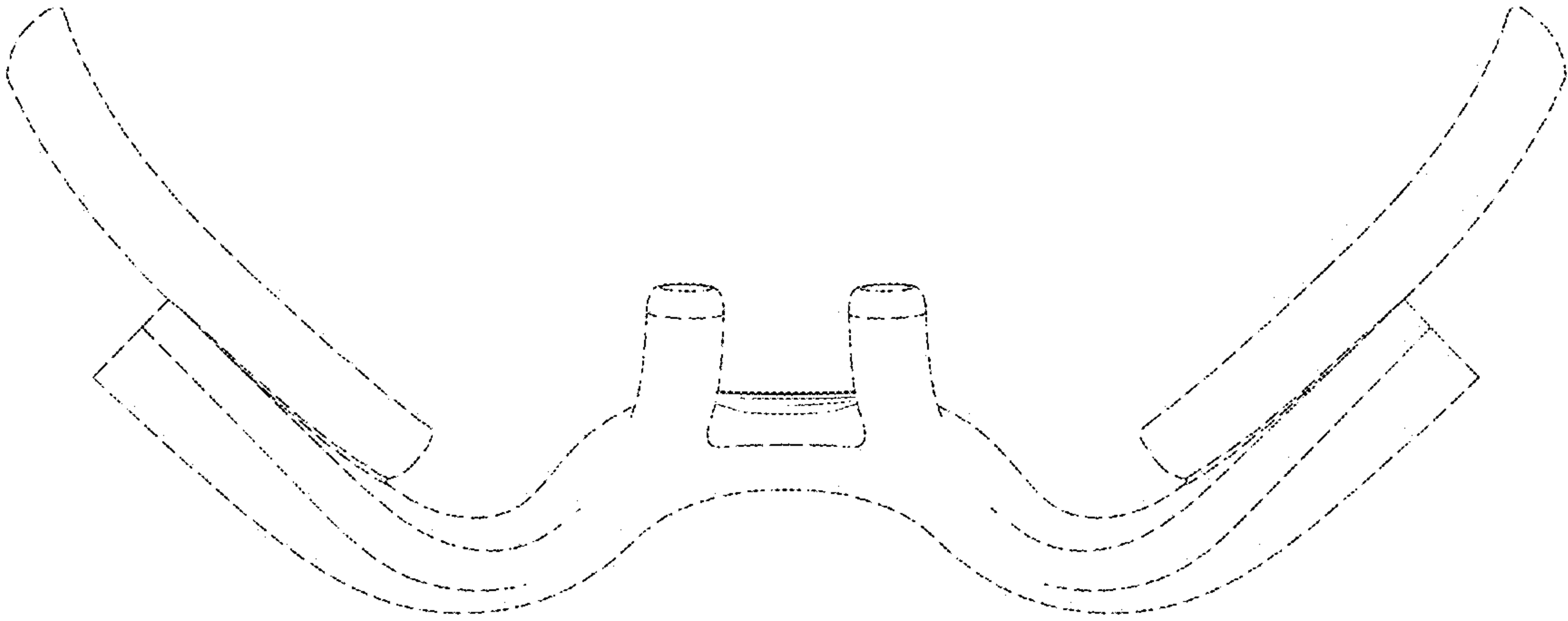


FIG. 5

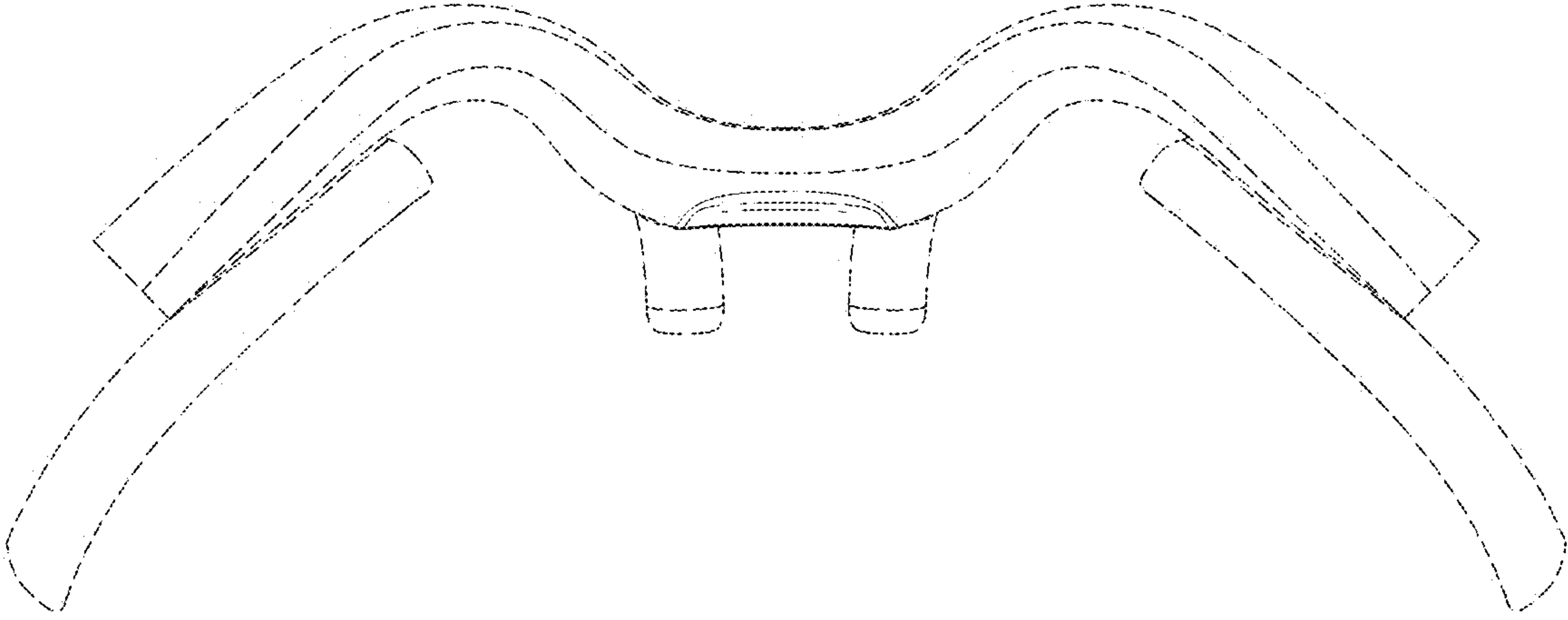


FIG. 6

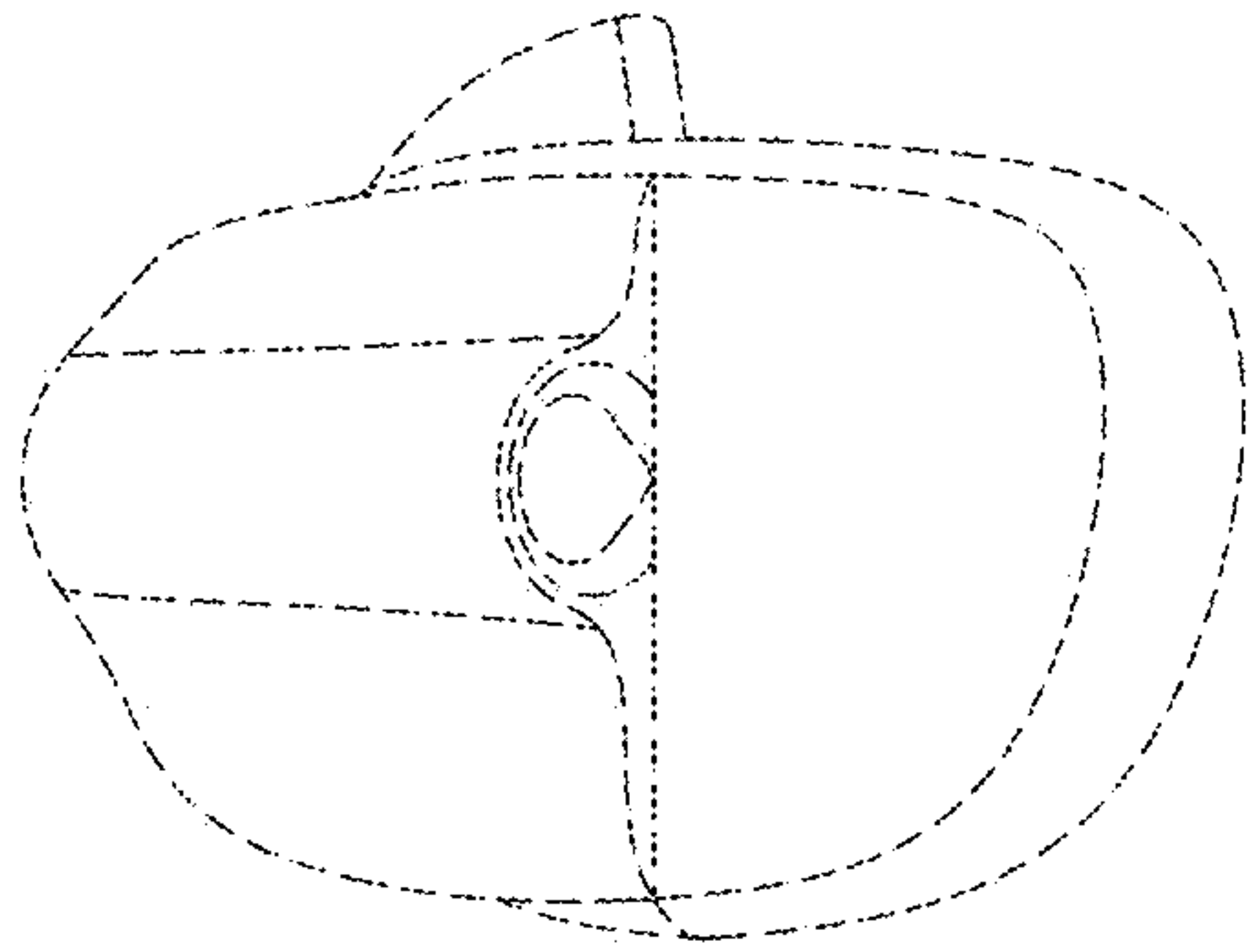


FIG. 7

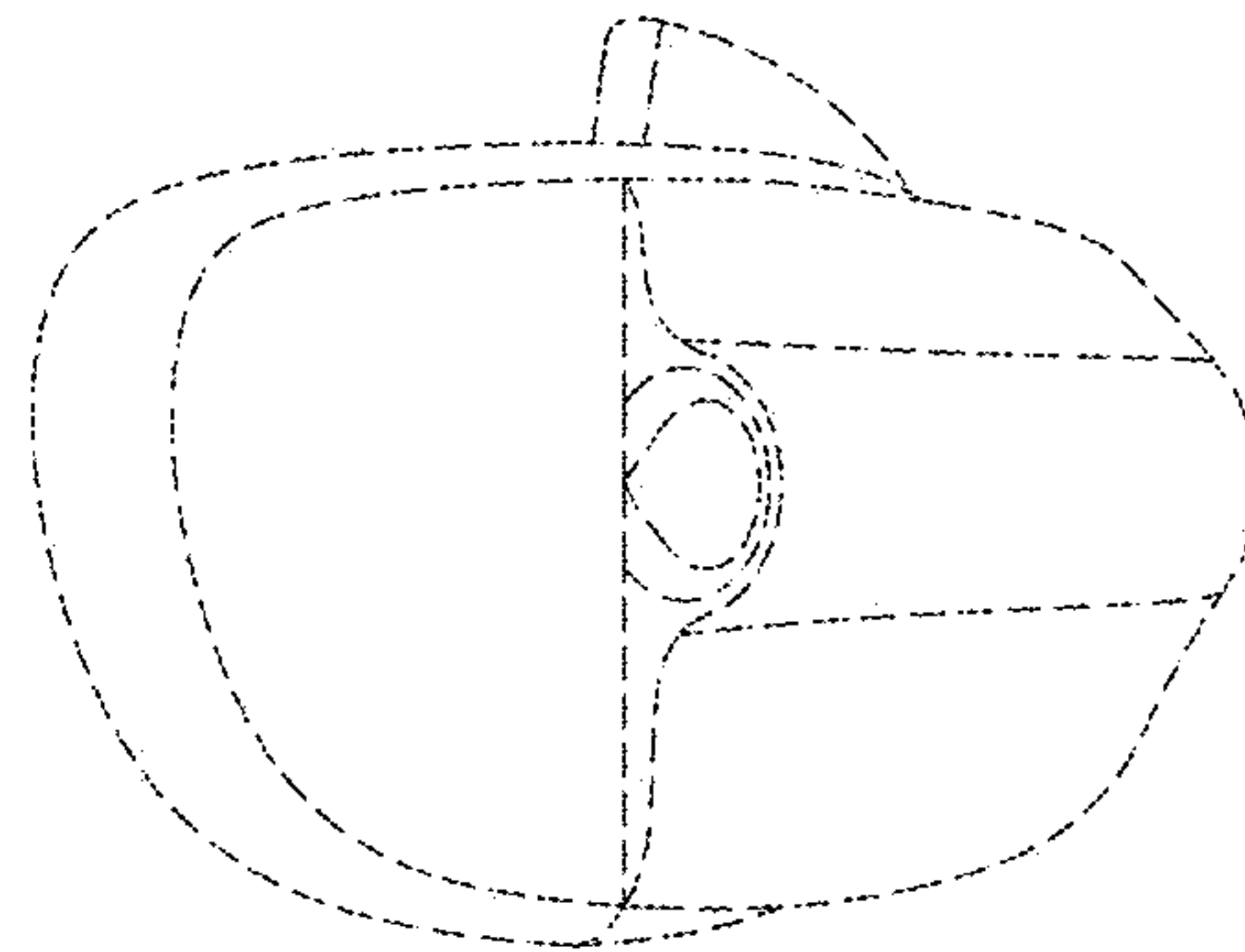


FIG. 8