



US00D908208S

(12) **United States Design Patent** (10) **Patent No.:** **US D908,208 S**
He (45) **Date of Patent:** **** Jan. 19, 2021**

(54) **ORAL IRRIGATOR**
(71) Applicant: **SHENZHEN BAOLIJIE TECHNOLOGY CO., LTD.**, Shenzhen (CN)
(72) Inventor: **Mingfeng He**, Maoming (CN)
(73) Assignee: **SHENZHEN BAOLIJIE TECHNOLOGY CO., LTD.**, Shenzhen (CN)
(**) Term: **15 Years**
(21) Appl. No.: **29/707,094**
(22) Filed: **Sep. 26, 2019**

D772,396 S * 11/2016 Kim D24/111
D778,433 S * 2/2017 Li D24/111
D780,908 S * 3/2017 Ladwig D24/111
D790,861 S * 7/2017 Demarest D4/102
D804,016 S * 11/2017 Ladwig D24/111
(Continued)

FOREIGN PATENT DOCUMENTS

EM 006863635-0002 * 9/2019

OTHER PUBLICATIONS

Cordless water Flosser—Hanasco Unboxing Review. Posted by Pure Reviews. YouTube.com. Date uploaded: Jun. 14, 2019. Retrieved from Internet: <https://www.youtube.com/watch?v=g5xj-19YfmY> (Year: 2019).*

(Continued)

Primary Examiner — Lilyana Bekic

(30) **Foreign Application Priority Data**
Aug. 21, 2019 (CN) 2019 3 0456451
(51) **LOC (13) Cl.** **24-02**
(52) **U.S. Cl.**
USPC **D24/111**
(58) **Field of Classification Search**
USPC D24/108, 111–115, 117, 152, 176
CPC A61C 17/20; A61C 17/00; A61C 17/005;
A61C 17/02; A61C 17/0202; A61C 17/0205;
A61C 17/0211; A61C 17/36; A61C 17/028;
A61C 17/22; A61C 17/222; A61C 17/225; A61C 17/28
See application file for complete search history.

(57) **CLAIM**

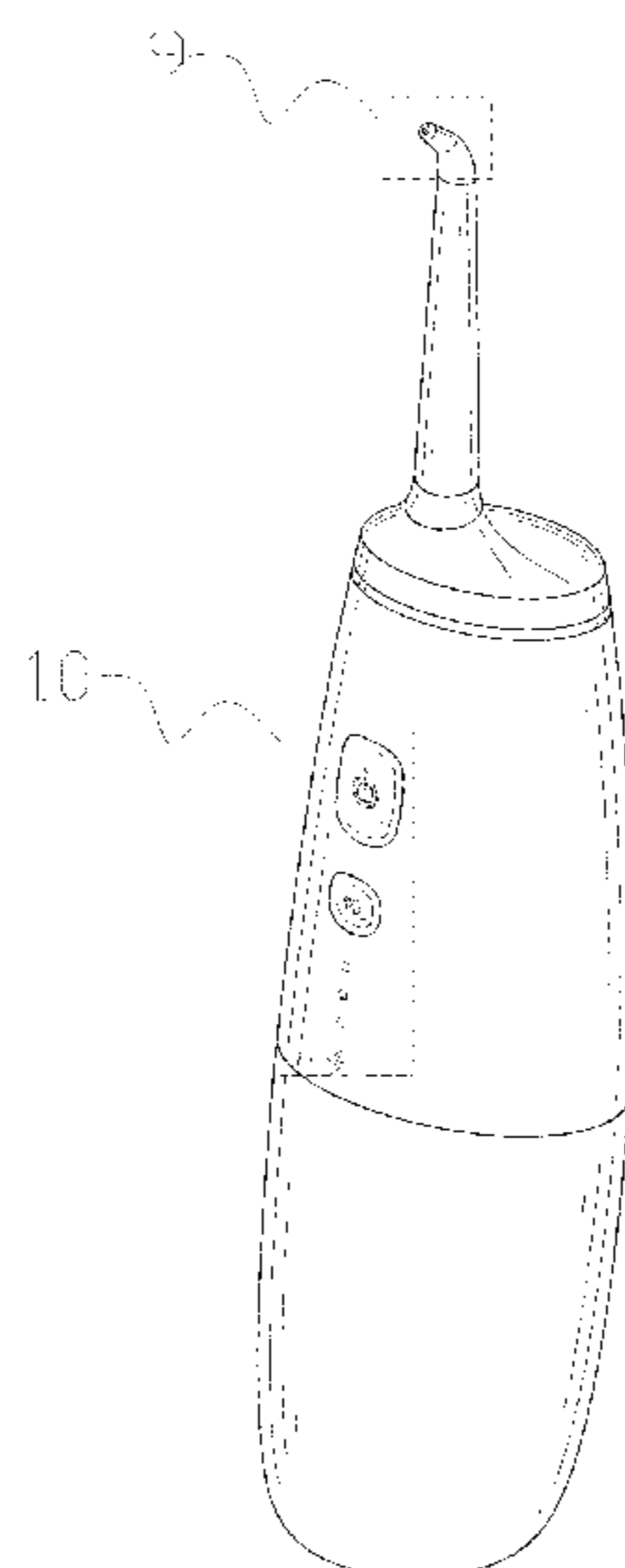
The ornamental design for an oral irrigator, as shown and described.

DESCRIPTION

FIG. 1 is a perspective view of an oral irrigator showing my new design;
FIG. 2 is another perspective view thereof
FIG. 3 is a front elevational view thereof;
FIG. 4 is a rear elevational view thereof
FIG. 5 is a left side elevational view thereof
FIG. 6 is a right side elevational view thereof;
FIG. 7 is a top plan view thereof;
FIG. 8 is a bottom plan view thereof;
FIG. 9 is an enlarged view of portion 9 shown in FIG. 1; and,
FIG. 10 is an enlarged view of portion 10 shown in FIG. 1.
The broken lines in the drawings depict portions of the oral irrigator that form no part of the claimed design.

(56) **References Cited**
U.S. PATENT DOCUMENTS
D322,314 S * 12/1991 Ohbayashi D24/113
D548,334 S * 8/2007 Izumi D24/111
D629,884 S * 12/2010 Stephens D24/108
D670,373 S * 11/2012 Taylor D24/108
D694,398 S * 11/2013 Taylor D24/108
D747,464 S * 1/2016 Taylor A61C 17/0202
D24/111

1 Claim, 10 Drawing Sheets



(56)

References Cited

U.S. PATENT DOCUMENTS

D806,228	S *	12/2017	Yan	D24/111
D806,229	S *	12/2017	Uchida	D24/111
D812,219	S *	3/2018	Wang	D24/111
D815,274	S *	4/2018	Ladwig	D24/111
D819,196	S *	5/2018	Kim	D24/111
D881,383	S *	4/2020	Chen	D24/111
D888,935	S *	6/2020	Fang	D24/111
D888,936	S *	6/2020	Bondurant	D24/111
D889,637	S *	7/2020	Yuan	D24/111
D895,791	S *	9/2020	Yuan	D24/111
2008/0008979	A1 *	1/2008	Thomas	A61C 17/0205 433/80
2011/0144588	A1 *	6/2011	Taylor	A61M 3/0208 604/151
2016/0151133	A1 *	6/2016	Luetngen et al. ..	A61C 17/0202 433/80
2019/0201175	A1 *	7/2019	Li	A61C 17/0202
2019/0358006	A1 *	11/2019	Arias Haber	A61C 17/02
2020/0214814	A1 *	7/2020	Yuan	A61C 17/022

OTHER PUBLICATIONS

Liberex FC2660 Digital Display Cordless Water Flosser. Liberexlab.com. Earliest review date: Nov. 29, 2019. retrieved from Internet: <https://www.liberexlab.com/Liberex-FC2660-Digital-Display-Cordless-Water-Flosser-White-p1630545.html> (Year: 2019).*

* cited by examiner

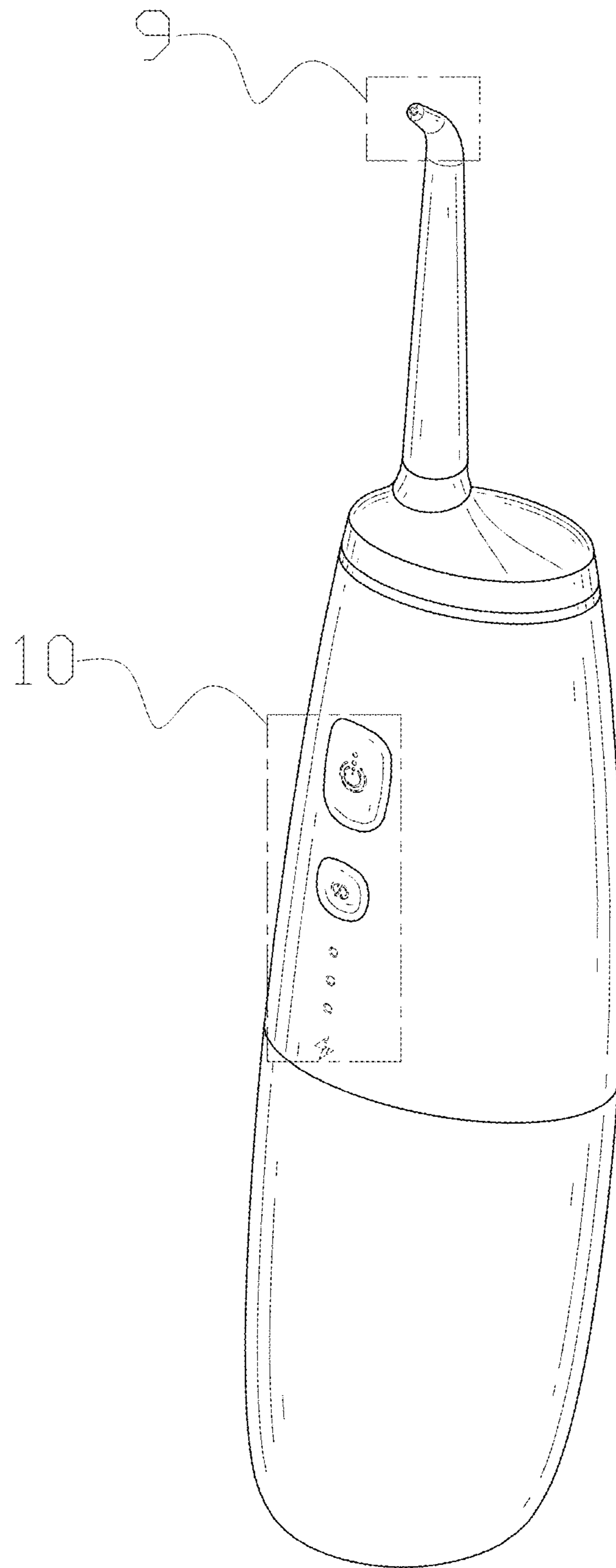


FIG. 1

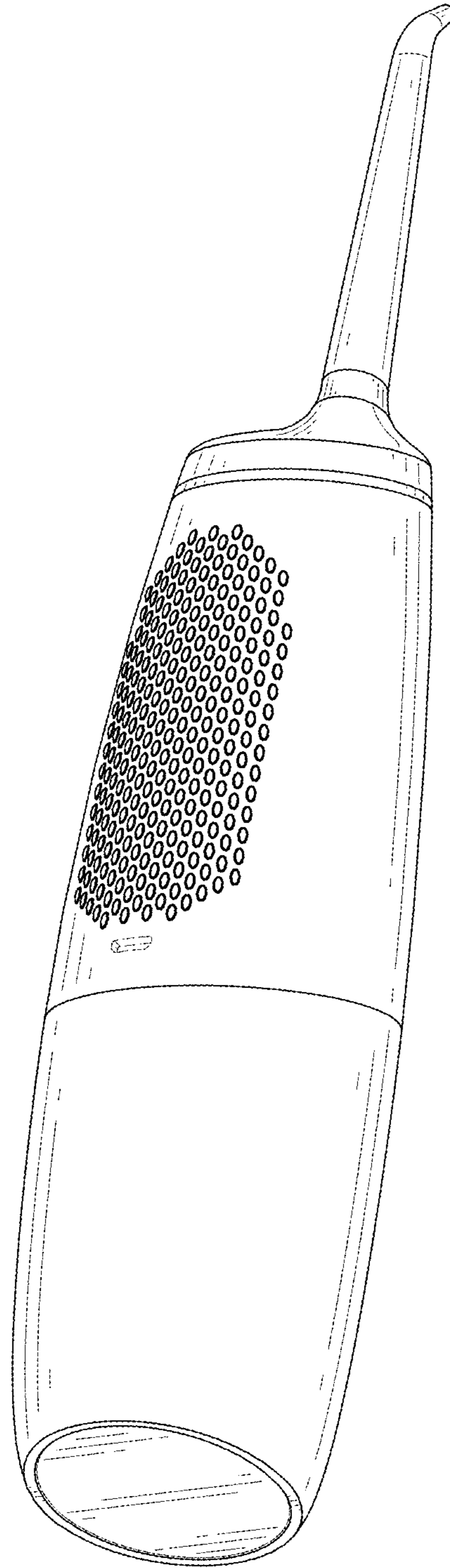


FIG. 2

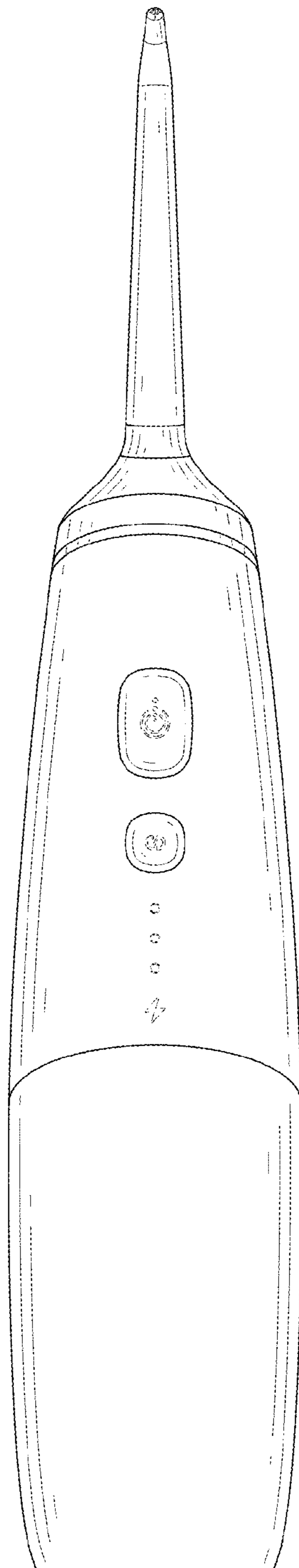


FIG. 3

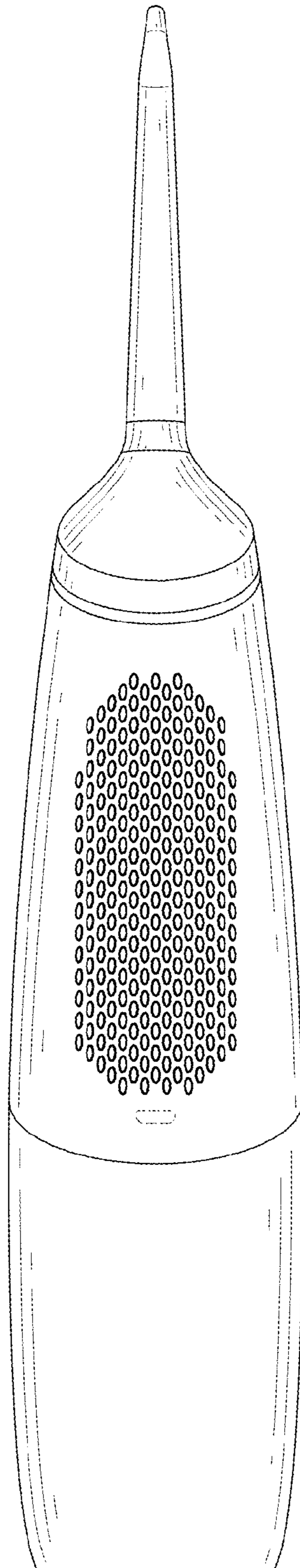


FIG. 4

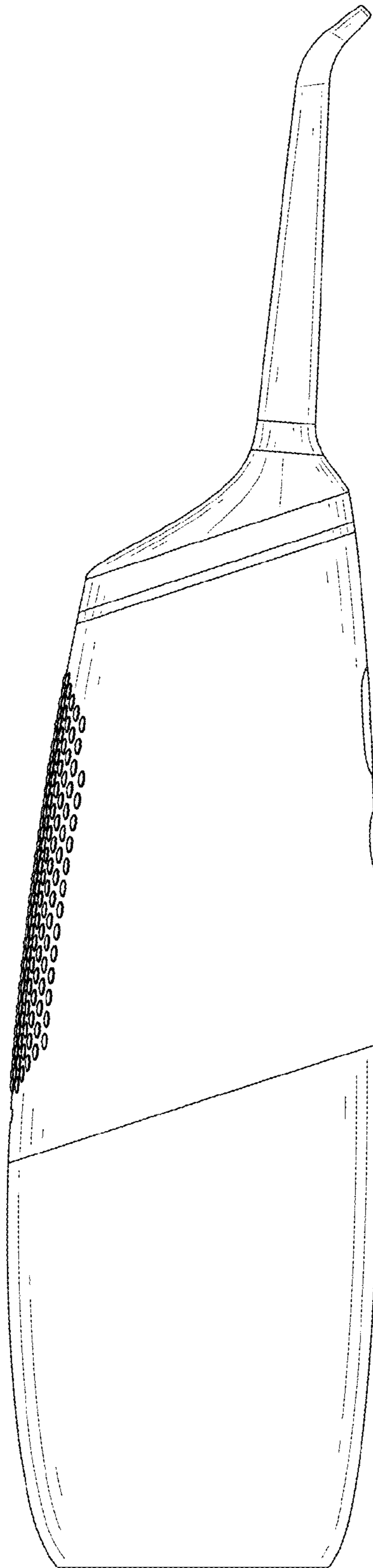


FIG. 5

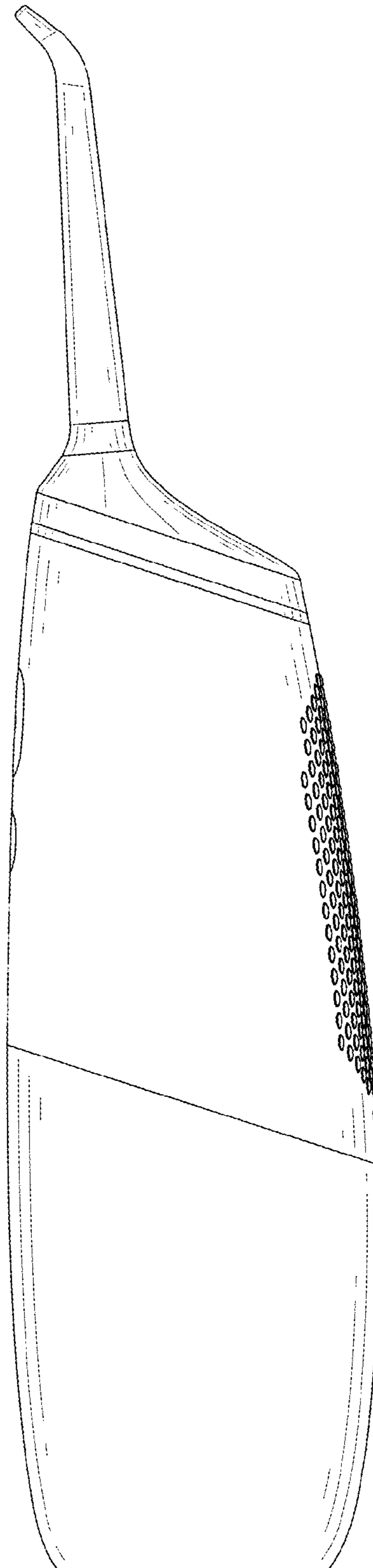


FIG. 6

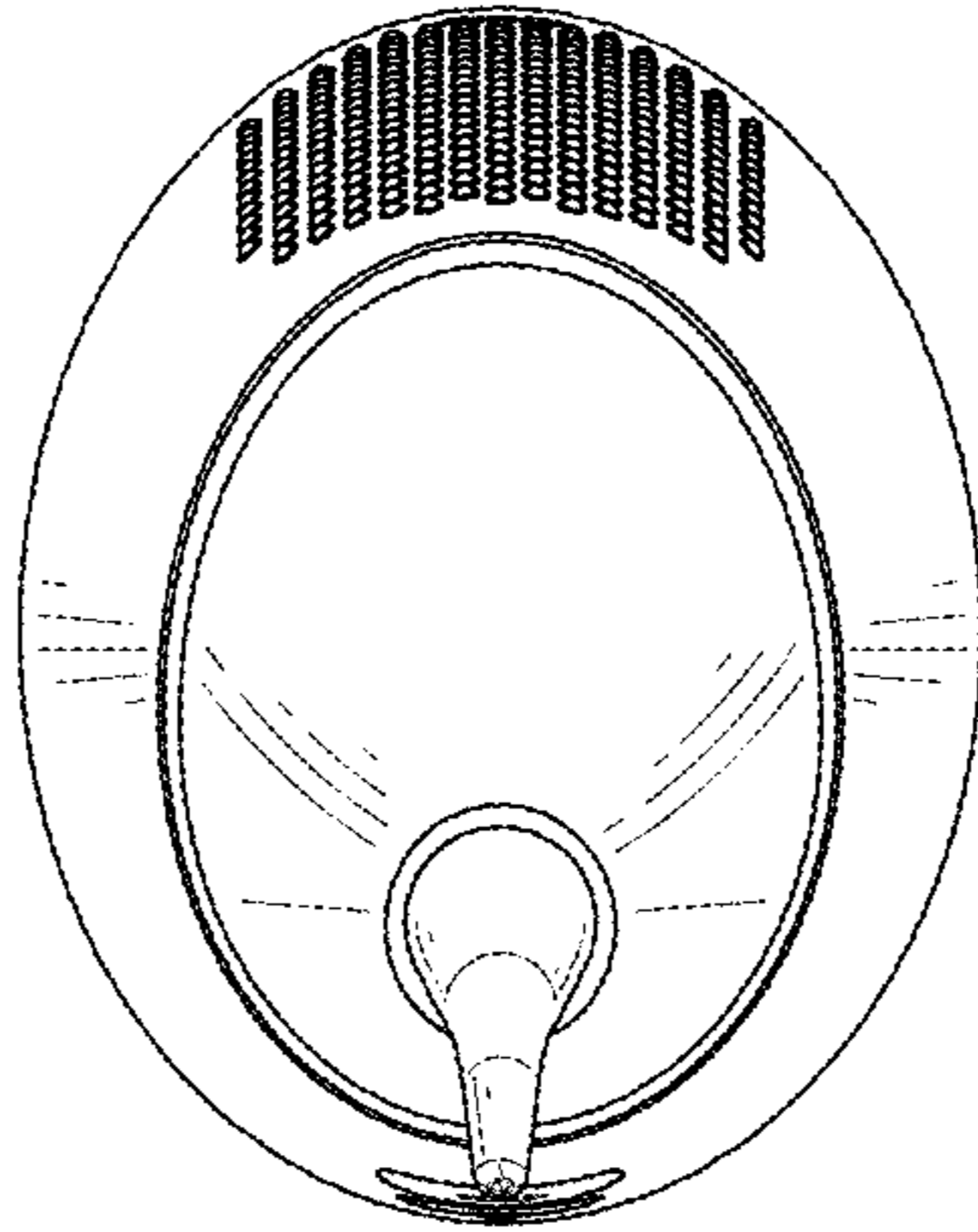


FIG. 7

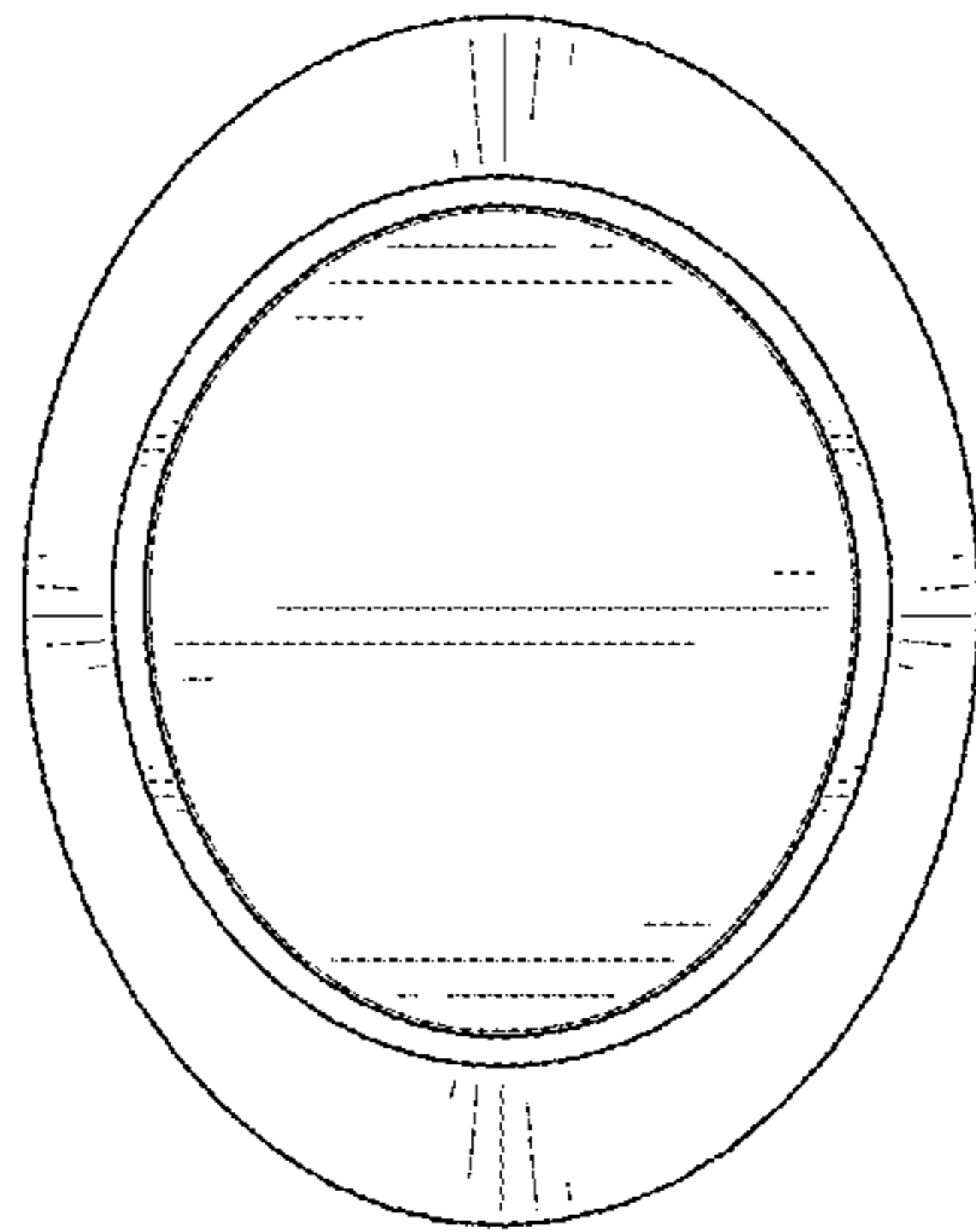


FIG. 8

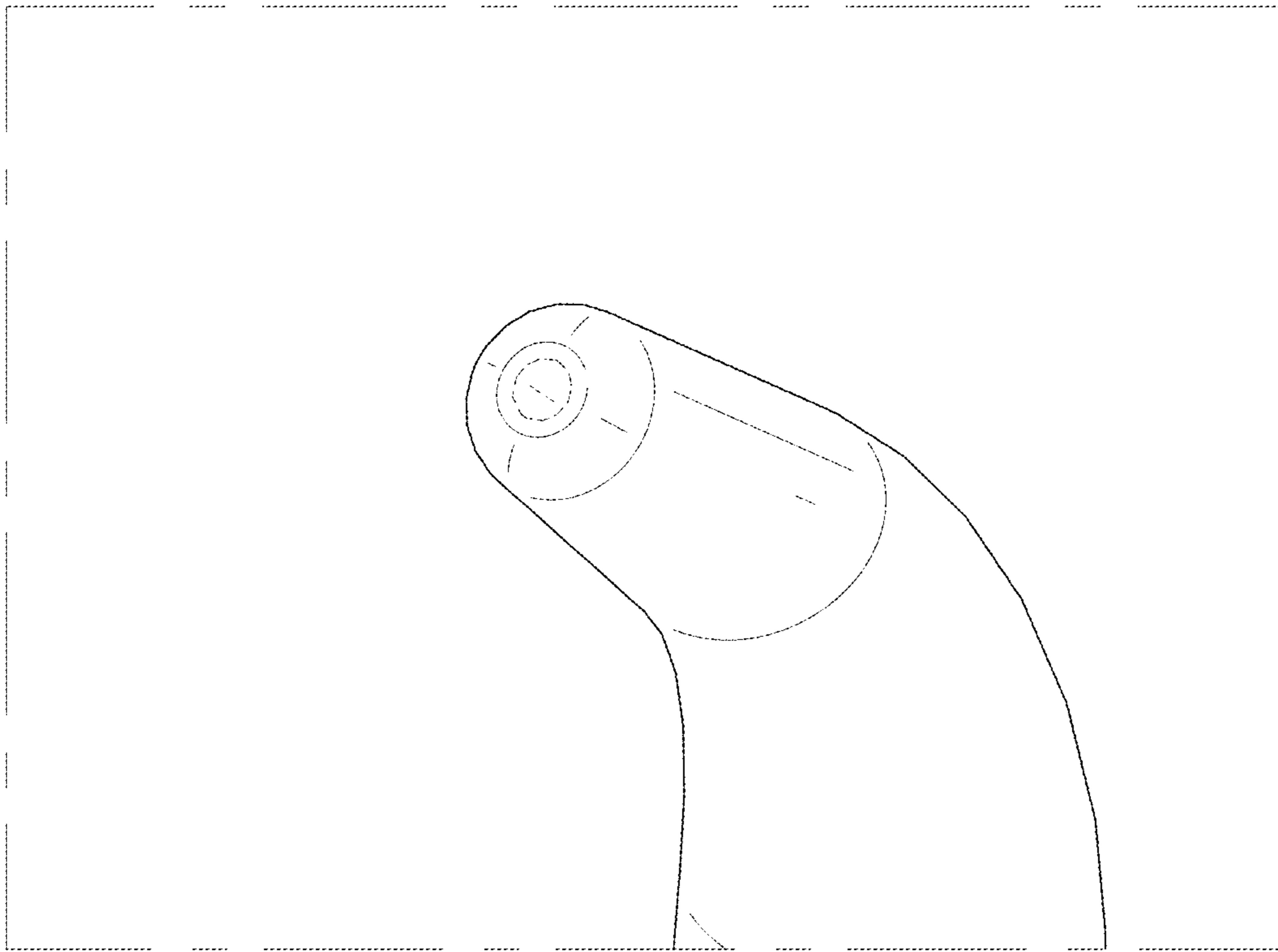


FIG. 9

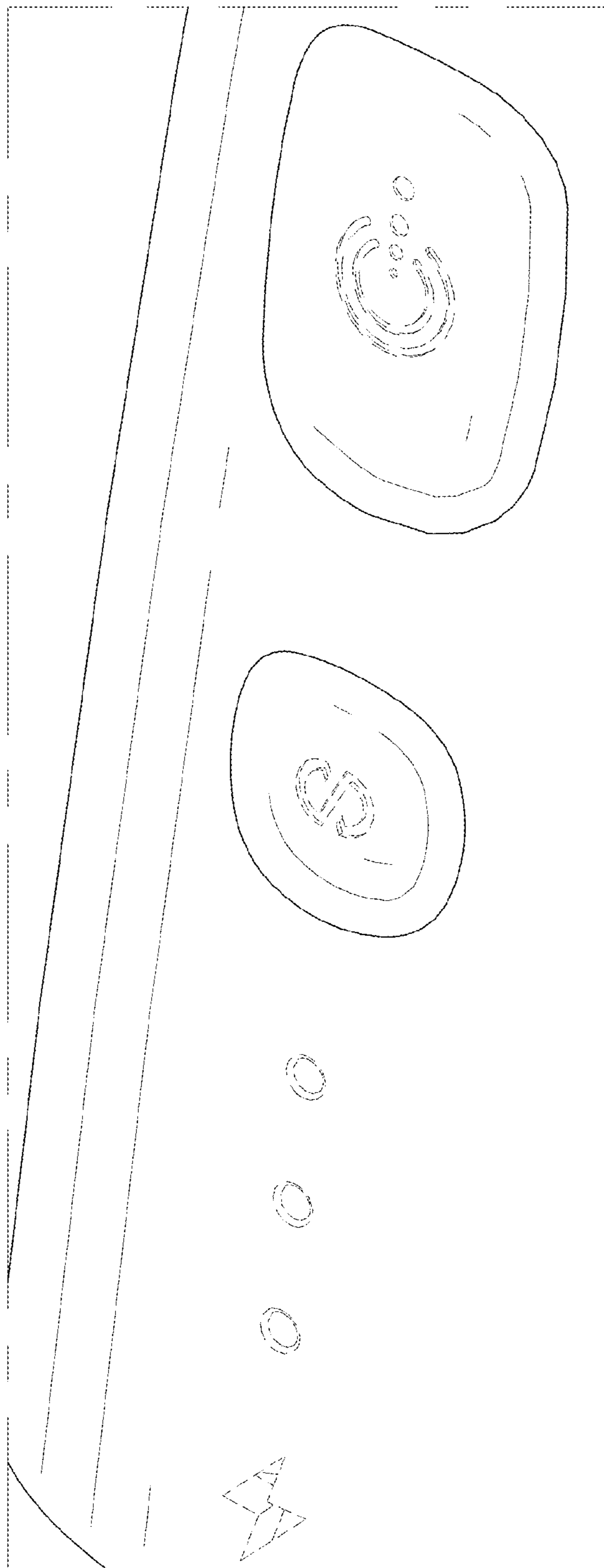


FIG. 10