



US00D908207S

(12) **United States Design Patent**  
**Prentice et al.**

(10) **Patent No.:** **US D908,207 S**  
(45) **Date of Patent:** **\*\* Jan. 19, 2021**

(54) **FACE MASK CUSHION**

16/0644; A61M 16/0816; A61M 16/08;  
A61M 16/0666; A61M 2210/0618

(71) Applicant: **Fisher & Paykel Healthcare Limited**,  
Auckland (NZ)

See application file for complete search history.

(72) Inventors: **Craig Robert Prentice**, Auckland (NZ);  
**Bernard Tsz Lun Ip**, Auckland (NZ);  
**Mark Arvind McLaren**, Auckland  
(NZ); **Kyle Gregory Brown**, Auckland  
(NZ); **Chris Onin Limpin Hipolito**,  
Auckland (NZ); **Mark Richard**  
**Tomlinson**, Auckland (NZ); **Melissa**  
**Catherine Bornholdt**, Auckland (NZ)

(56) **References Cited**

U.S. PATENT DOCUMENTS

4,522,369 A 6/1985 Ansite  
4,630,604 A 12/1986 Montesi  
D383,204 S 9/1997 Lomas et al.

(Continued)

OTHER PUBLICATIONS

Fisher & Paykel Announces Eson 2 Mask at Investor Day. Sleep  
Review. Oct. 12, 2015. <<http://www.sleepreviewmag.com/2015/10/fisher-paykel-announces-eson-2-mask-investor-day/>>.

(Continued)

*Primary Examiner* — Lilyana Bekic

(74) *Attorney, Agent, or Firm* — Knobbe, Martens, Olson  
& Bear, LLP

(73) Assignee: **FISHER & PAYKEL HEALTHCARE**  
**LIMITED**, Auckland (NZ)

(\*\*) Term: **15 Years**

(21) Appl. No.: **29/720,444**

(22) Filed: **Jan. 13, 2020**

**Related U.S. Application Data**

(60) Continuation of application No. 29/686,949, filed on  
Apr. 9, 2019, now Pat. No. Des. 875,924, which is a  
continuation of application No. 29/653,378, filed on  
Jun. 14, 2018, now Pat. No. Des. 849,931, which is a  
continuation of application No. 29/622,639, filed on  
Oct. 18, 2017, now Pat. No. Des. 824,022, which is a  
division of application No. 29/540,684, filed on Sep.  
25, 2015, now Pat. No. Des. 800,895.

(51) **LOC (13) Cl.** ..... **29-02**

(52) **U.S. Cl.**  
USPC ..... **D24/110.4**

(58) **Field of Classification Search**  
USPC ..... D24/110-110.5, 127, 164  
CPC ..... A61M 16/0683; A61M 16/0605; A61M  
16/0622; A61M 16/06; A61M 16/0616;  
A61M 16/0661; A61M 16/0633; A61M

(57) **CLAIM**

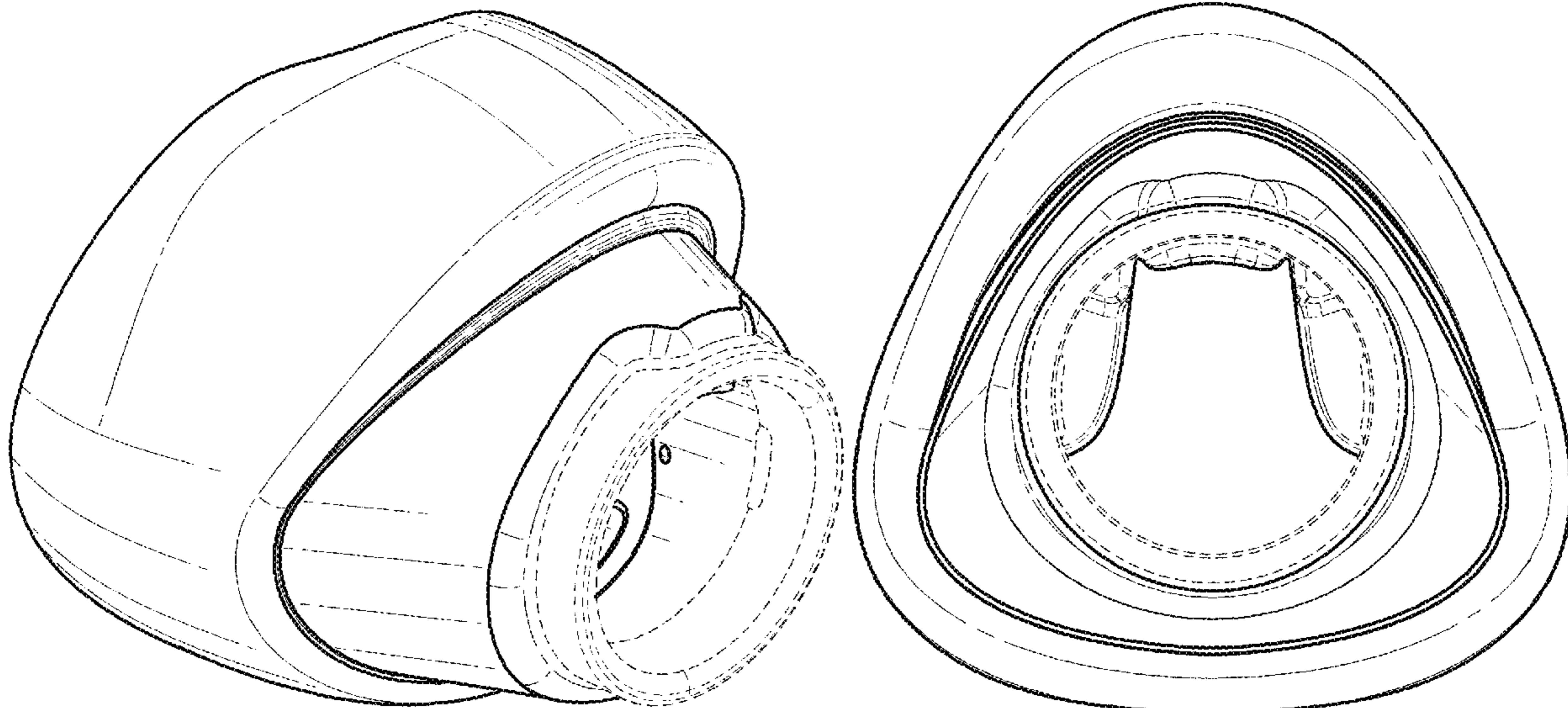
The ornamental design for a face mask cushion, as shown  
and described.

**DESCRIPTION**

FIG. 1 is a top, front and left side perspective view of a face  
mask cushion embodying our new design;  
FIG. 2 is a top, rear and left side perspective view thereof;  
FIG. 3 is a front view thereof;  
FIG. 4 is a rear view thereof;  
FIG. 5 is a left side view thereof;  
FIG. 6 is a right side view thereof;  
FIG. 7 is a top view thereof; and,  
FIG. 8 is a bottom view thereof.

Broken lines are used to illustrate portions of the face mask  
cushion which form no part of the claimed design.

**1 Claim, 8 Drawing Sheets**



(56)

References Cited

U.S. PATENT DOCUMENTS

D476,407 S	6/2003	Snyder	10,632,276 B2	4/2020	Fyfe et al.
6,631,718 B1	10/2003	Lovell et al.	D884,151 S *	5/2020	Eves ..... D24/110.4
6,691,707 B1	2/2004	Gunaratnam et al.	2002/0023649 A1	2/2002	Gunaratnam
6,817,362 B2	11/2004	Gelinas et al.	2002/0026934 A1	3/2002	Lithgow
D504,947 S	5/2005	McAuley et al.	2003/0196659 A1	10/2003	Gradon et al.
D539,901 S	4/2007	McAuliffe et al.	2004/0035428 A1	2/2004	Olsen et al.
7,290,546 B2	11/2007	Sprinkle et al.	2004/0083534 A1	5/2004	Ruiz
D556,899 S	12/2007	Veliss et al.	2004/0112377 A1	6/2004	Amarasinghe
D579,105 S	10/2008	Jones et al.	2005/0126573 A1	6/2005	Jaffre et al.
D597,202 S	7/2009	Reid et al.	2006/0124131 A1	6/2006	Chandran
D619,449 S	7/2010	Smith	2007/0175480 A1	8/2007	Gradon et al.
7,793,987 B1	9/2010	Busch et al.	2008/0192459 A1	8/2008	Kwok et al.
D637,283 S	5/2011	Selvarajan et al.	2009/0194111 A1	8/2009	Fu et al.
D651,304 S	12/2011	Edwards et al.	2010/0000538 A1	1/2010	Edwards et al.
D656,231 S	3/2012	Henry et al.	2010/0031963 A1	2/2010	Lee et al.
D673,245 S	12/2012	Cooney	2010/0059058 A1	3/2010	Kuo
D679,376 S	4/2013	Von Hollen et al.	2011/0072553 A1	3/2011	Ho
D679,377 S	4/2013	Von Hollen et al.	2011/0146685 A1	6/2011	Allan
D679,378 S	4/2013	Von Hollen et al.	2011/0197341 A1	8/2011	Formica et al.
D683,447 S	5/2013	Olsen et al.	2011/0290253 A1	12/2011	McAuley et al.
D691,257 S	10/2013	Siew et al.	2012/0204881 A1	8/2012	Davidson et al.
D692,554 S	10/2013	Siew et al.	2012/0234326 A1	9/2012	Mazzone et al.
D693,459 S	11/2013	Prentice	2012/0305001 A1	12/2012	Tatkov et al.
D695,887 S	12/2013	Ozolins et al.	2013/0152937 A1	6/2013	Jablonski et al.
D696,767 S	12/2013	Scheiner et al.	2013/0152938 A1	6/2013	Jablonski et al.
D697,203 S	1/2014	Clarke et al.	2013/0239972 A1	9/2013	McAuley et al.
D706,413 S	6/2014	Veliss et al.	2014/0090649 A1	4/2014	Groll et al.
8,789,525 B2	7/2014	Snow	2014/0096774 A1	4/2014	Olsen et al.
D717,945 S	11/2014	Neff et al.	2014/0174446 A1	6/2014	Prentice
8,950,404 B2	2/2015	Formica et al.	2014/0216460 A1	8/2014	Bothma et al.
D740,934 S	10/2015	Formica et al.	2014/0236041 A1	8/2014	Gulliver et al.
9,155,855 B2	10/2015	Tebbutt	2014/0261427 A1	9/2014	Foote
D748,242 S	1/2016	Campbell et al.	2014/0305433 A1	10/2014	Rothermel
D751,188 S	3/2016	Skipper et al.	2014/0326246 A1	11/2014	Chodkowski et al.
D752,199 S	3/2016	Berkman	2014/0366882 A1	12/2014	Ng et al.
D753,813 S	4/2016	Ozolins et al.	2015/0000671 A1	1/2015	Frerichs et al.
D754,328 S	4/2016	Bowsher	2015/0151069 A1	6/2015	Zeijlstra et al.
D757,252 S	5/2016	Von Moger et al.	2015/0174354 A1	6/2015	Matula, Jr. et al.
D758,564 S	6/2016	Eves et al.	2015/0174355 A1	6/2015	Willard
D764,049 S	8/2016	Cullen et al.	2015/0202397 A1	7/2015	Pastoor et al.
D767,750 S	9/2016	Nakai et al.	2015/0202402 A1	7/2015	Kat
D769,440 S	10/2016	Amarasinghe et al.	2015/0209540 A1	7/2015	Hendricks et al.
D770,035 S	10/2016	Prentice et al.	2015/0246200 A1	9/2015	Neff, Jr. et al.
D790,054 S	1/2017	Prentice et al.	2015/0306320 A1	10/2015	Markus
9,539,403 B2	1/2017	Eves et al.	2015/0328422 A1	11/2015	Chodkowski
D779,652 S	2/2017	Nga et al.	2015/0367092 A1	12/2015	Goff et al.
D782,030 S	3/2017	Prentice et al.	2016/0008558 A1	1/2016	Huddart et al.
D782,031 S	3/2017	Prentice et al.	2016/0067441 A1	3/2016	Salmon et al.
D782,032 S	3/2017	Prentice et al.	2016/0067442 A1	3/2016	Salmon et al.
D782,655 S	3/2017	Blanch et al.	2016/0074611 A1	3/2016	Higgins et al.
D784,515 S	4/2017	Prentice et al.	2016/0082218 A1	3/2016	Lau et al.
D784,516 S	4/2017	Prentice et al.	2016/0121067 A1	5/2016	VanMiddendorp et al.
9,707,368 B2	7/2017	McAuley et al.	2016/0151596 A1	6/2016	Slight et al.
9,713,693 B2	7/2017	Parr et al.	2016/0220781 A1	8/2016	Arrowsmith et al.
D797,277 S	9/2017	Blanch et al.	2016/0287915 A1	10/2016	Lenfeld et al.
D797,921 S	9/2017	Huang et al.	2016/0325067 A1	11/2016	Harwood et al.
D798,439 S	9/2017	Siew et al.	2016/0354572 A1	12/2016	Lim
D800,895 S	10/2017	Prentice et al.	2017/0065786 A1	3/2017	Stephenson et al.
D801,500 S	10/2017	Prentice	2017/0087329 A1	3/2017	Huddart et al.
D809,132 S	1/2018	Bornholdt et al.	2017/0232219 A1	8/2017	Dravitzki et al.
9,878,118 B2	1/2018	Formica et al.	2017/0239437 A1	8/2017	Scheirlink et al.
D810,277 S	2/2018	Amarasinghe	2017/0246411 A1	8/2017	Mashal et al.
D823,455 S	7/2018	Bornholdt et al.	2017/0281894 A1	10/2017	Walls et al.
D824,021 S	7/2018	Prentice et al.	2017/0312470 A1	11/2017	Norsted
D824,022 S	7/2018	Prentice	2017/0326325 A1	11/2017	Allan et al.
D828,917 S	9/2018	Prentice et al.	2017/0333657 A1	11/2017	Stephenson et al.
D837,971 S	1/2019	Prentice et al.	2017/0368288 A1	12/2017	Stephens et al.
D849,931 S	5/2019	Prentice et al.	2018/0133429 A1	5/2018	Reddy
D851,749 S	6/2019	Siew et al.	2018/0140797 A1	5/2018	Gunaratnam et al.
D875,924 S *	2/2020	Prentice ..... D24/110.4	2018/0185598 A1	7/2018	Olsen et al.
D876,616 S	2/2020	Prentice et al.	2018/0185600 A1	7/2018	Jablonski
10,576,227 B2	3/2020	Mebasser et al.	2018/0207384 A1	7/2018	Zhou et al.
10,576,234 B2	3/2020	Brown et al.	2018/0214655 A1	8/2018	Kooij
10,603,457 B2 *	3/2020	Chang ..... A61M 16/0616	2018/0250485 A1	9/2018	Zhan et al.
10,632,274 B2 *	4/2020	Norsted ..... A61M 16/0816	2018/0318540 A1	11/2018	Barlow et al.
			2019/0001094 A1	1/2019	Liu et al.
			2019/0091429 A1	3/2019	Skipper et al.
			2019/0175863 A1	6/2019	Hocking et al.
			2019/0184126 A1	6/2019	Todd et al.

(56)

**References Cited**

U.S. PATENT DOCUMENTS

2019/0217040 A1 7/2019 Amarasinghe et al.  
 2019/0255275 A1 8/2019 Dravitzki et al.  
 2019/0258749 A1 8/2019 Ho  
 2019/0314593 A1\* 10/2019 Judson ..... A61M 16/06  
 2019/0314594 A1\* 10/2019 Eifler ..... A61M 16/0616  
 2019/0372369 A1 12/2019 Wing et al.  
 2020/0001034 A1\* 1/2020 Chen ..... A61M 16/0683  
 2020/0016356 A1\* 1/2020 Patel ..... A61M 16/0611  
 2020/0129724 A1 4/2020 Nelson et al.

OTHER PUBLICATIONS

New—Eson 2 Fisher & Paykel Nasal Mask. CPAP Victoria: Snoring & Sleep Apnoea Solutions. cpapvictoria.com.au. Date accessed: May 21, 2016. <<http://cpapvictoria.com.au/new-eson-2-fisher-paykel-nasal-mask.html>>.  
 Fisher & Paykel Eson 2 Nasal Mask. CPAP Direct. cpapdirect.com.au. Date accessed: May 21, 2016. <<https://cpapdirect.com.au/wp-content/uploads/2-15/12/Eson2-Exploded-Image.jpg>>.

Swivel for Fisher Paykel Eson2 Nasal Mask #400FPH241. CPAP Australia. www.cpapaustralia.com.au. Date accessed: May 21, 2016. <<https://www.cpapaustralia.com.au/shopping/swivel-for-fisher-paykel-eson2-nasal-mask-400fph241.html>>.  
 Office Action for U.S. Appl. No. 29/540,662 dated May 19, 2016.  
 Office Action for U.S. Appl. No. 29/540,681 dated May 19, 2016.  
 Office Action for U.S. Appl. No. 29/540,693 dated Jun. 2, 2016.  
 Office Action for U.S. Appl. No. 29/540,684 dated Sep. 15, 2016.  
 Office Action for U.S. Appl. No. 29/540,680 dated Jun. 2, 2016.  
 S-1225, image post date Jul 30, 2017, site visited Nov. 24, 2017, (online), <[https://www.tineye.com/search/5a303183b2900291d1429fe660f391f2c1a0f159/?sort=crawl\\_date&order=asc](https://www.tineye.com/search/5a303183b2900291d1429fe660f391f2c1a0f159/?sort=crawl_date&order=asc)>.  
 Direct-home-medical-parts-for-cpap-masks-bipap-masks, image post date Sep. 27, 2017, site visited Nov. 24, 2017, (online), <<https://www.tineye.com/search/58ef6f11e162268d500494d731e8e5c6c671dc48/>>.  
 F&P Eson 2 Nasal CPAP Mask Pack with Headgear, image post date Nov. 20, 2016, site visited Nov. 24, 2017, (online), <<http://www.directhomemedical.com/eson-2-nasal-cpap-mask-fisher-paykel-healthcare.html#reviews>>.

\* cited by examiner

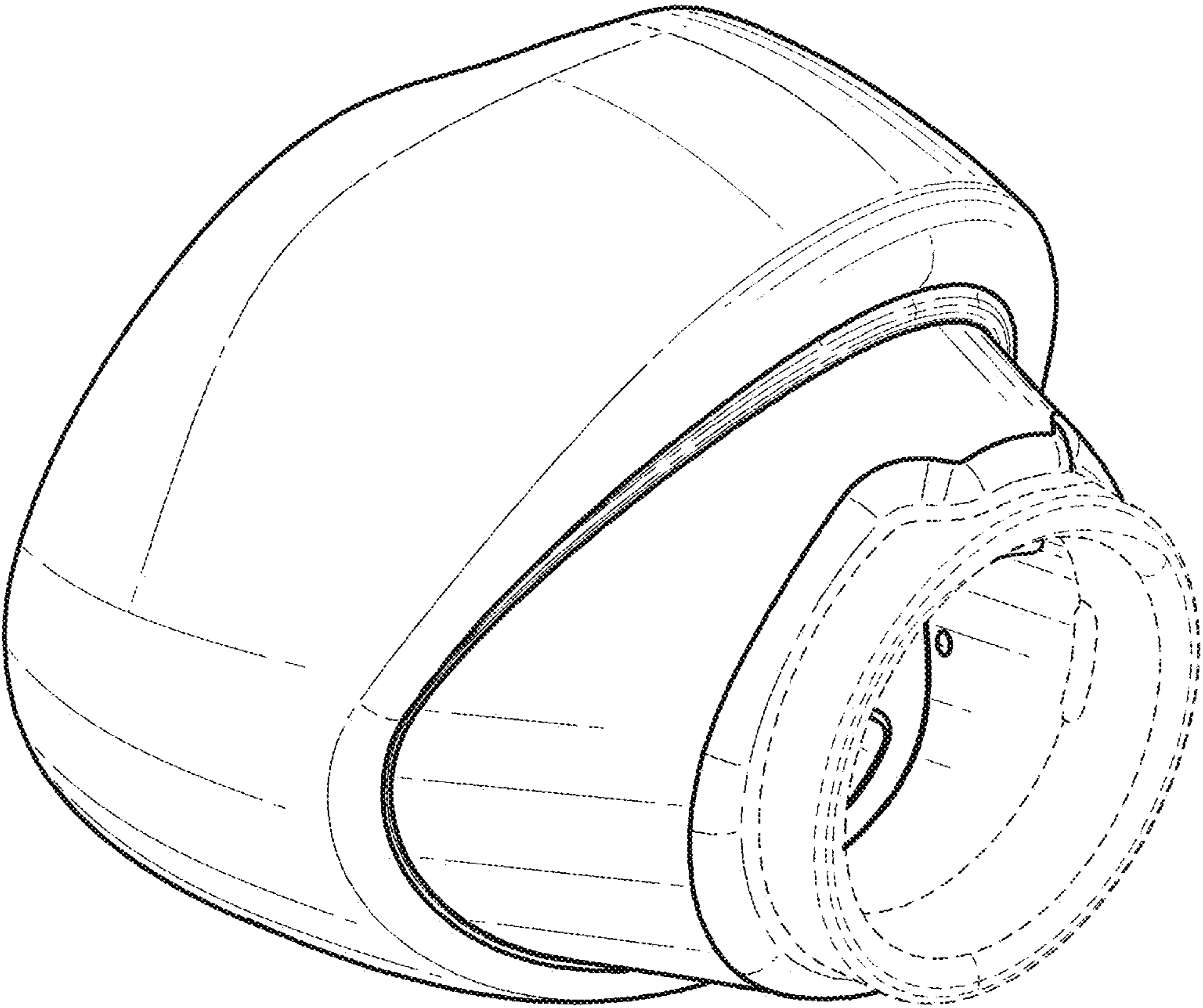


FIG. 1

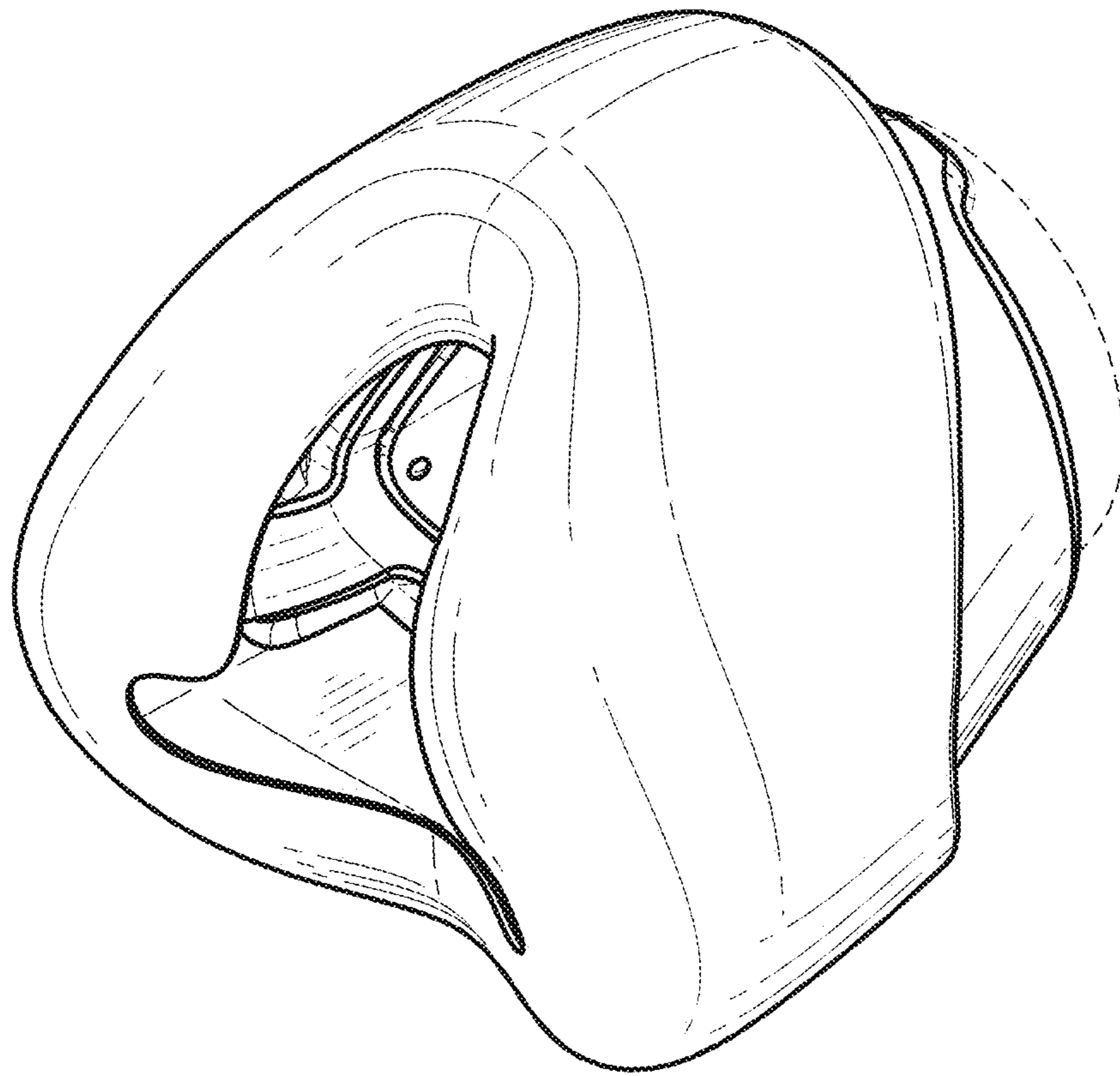


FIG. 2

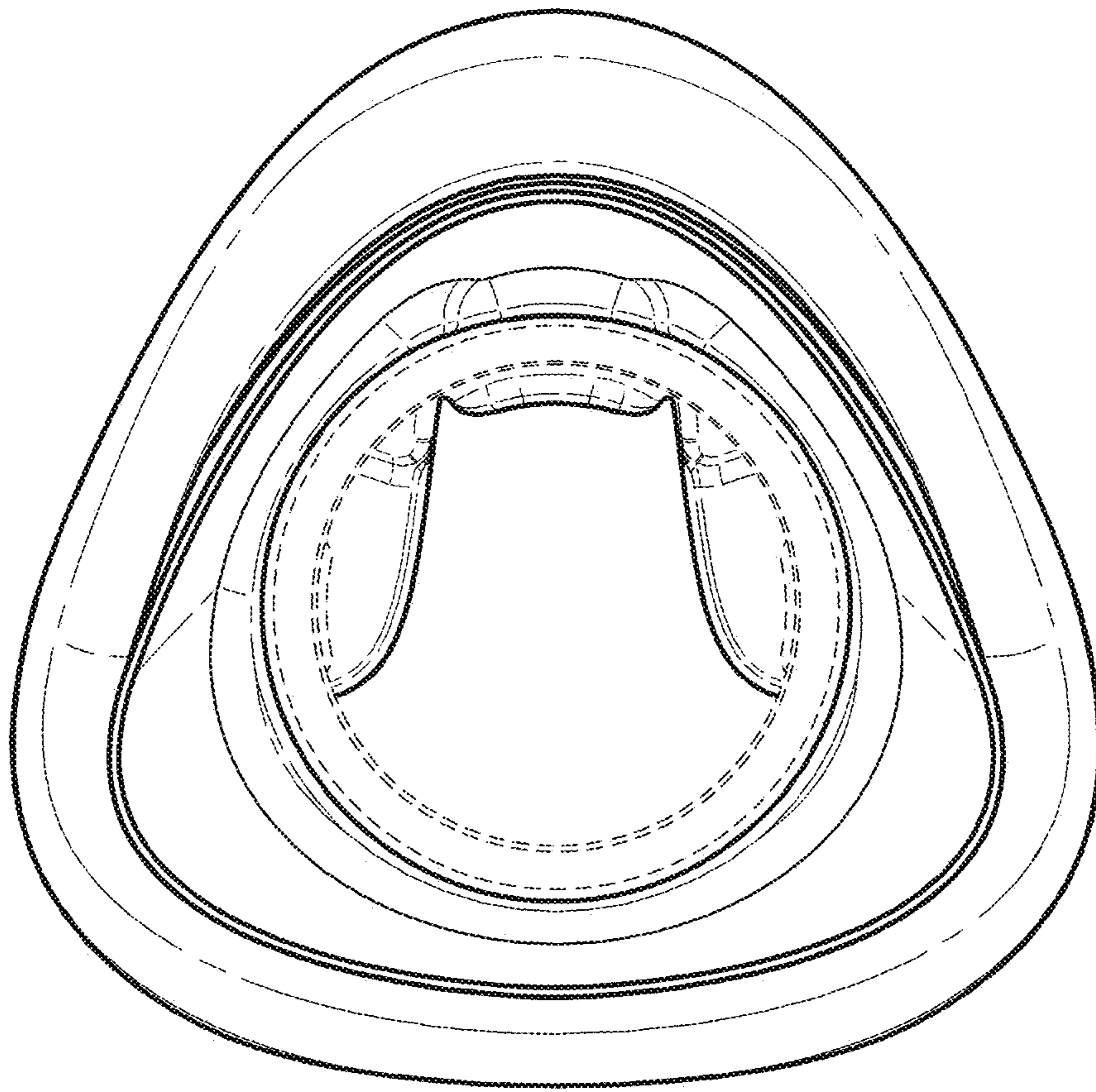


FIG. 3

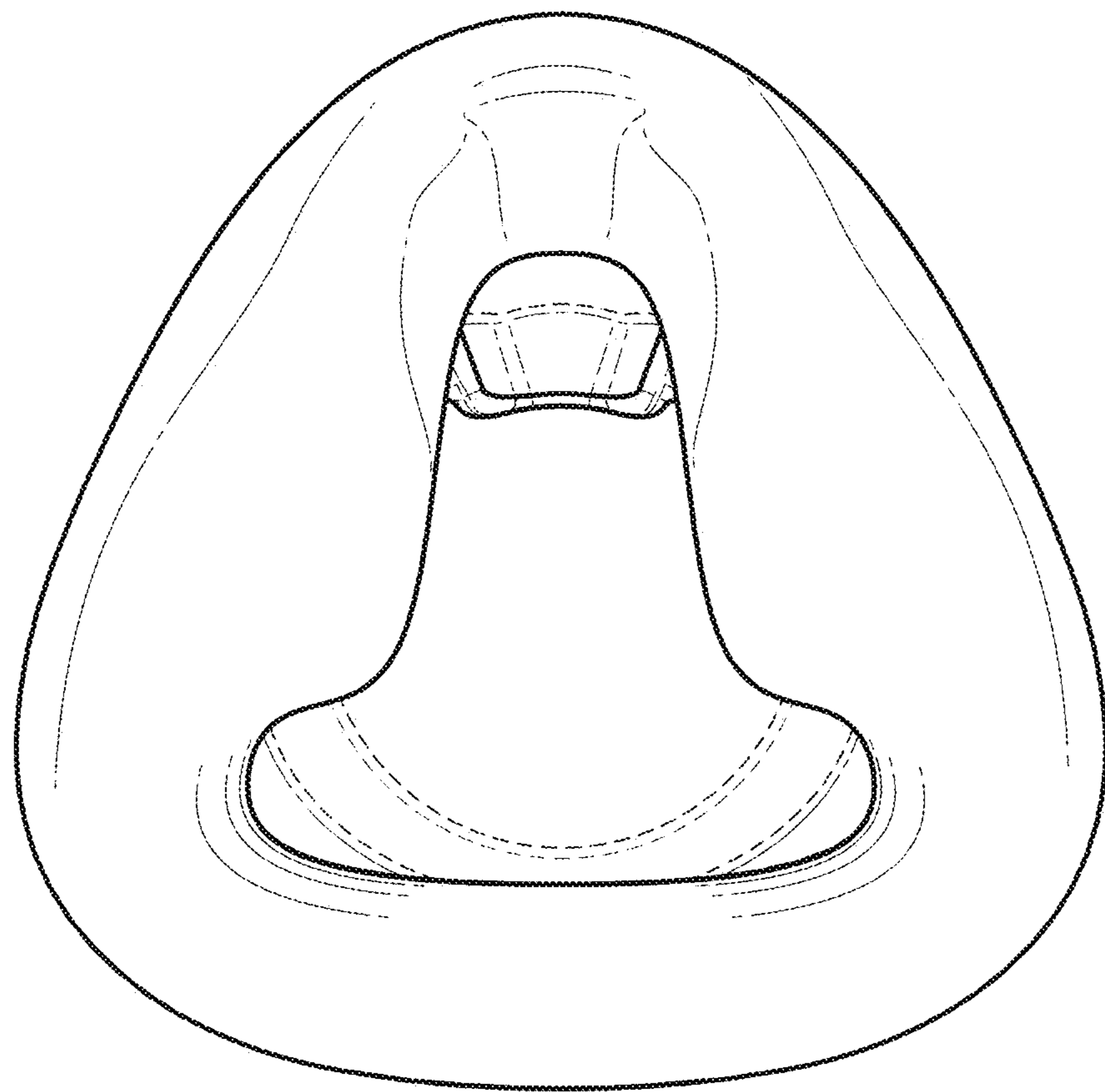


FIG. 4

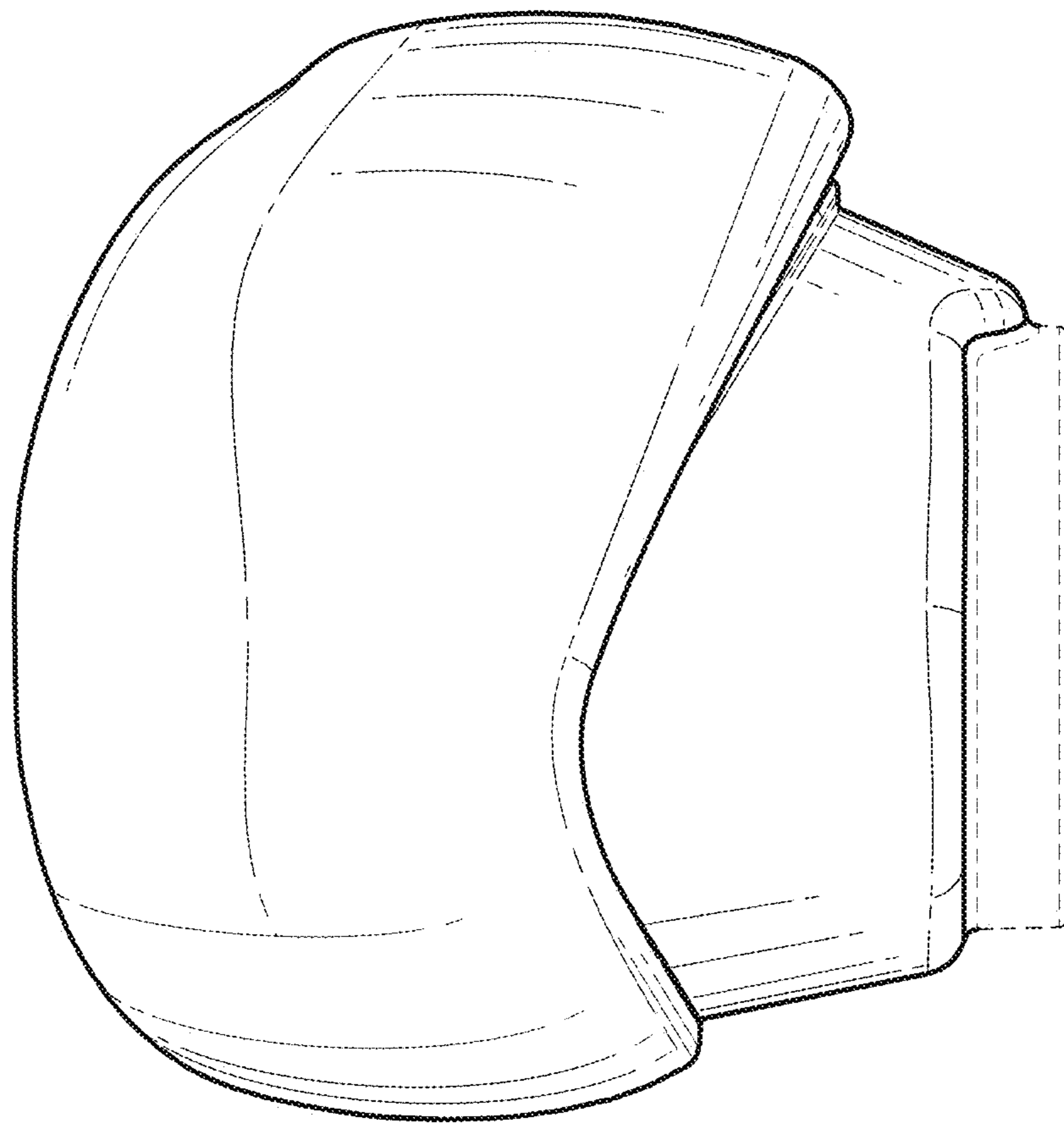


FIG. 5



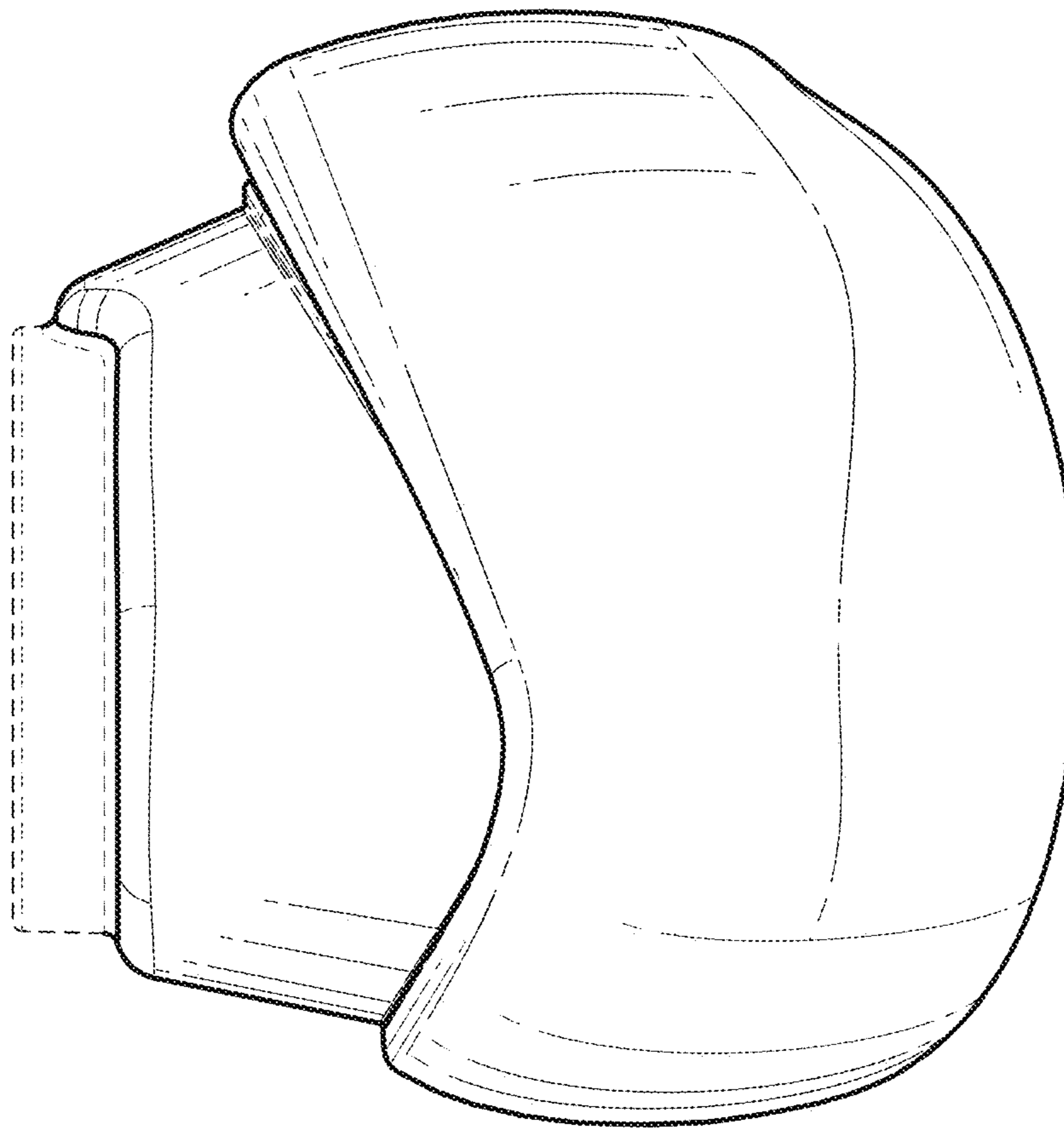


FIG. 6

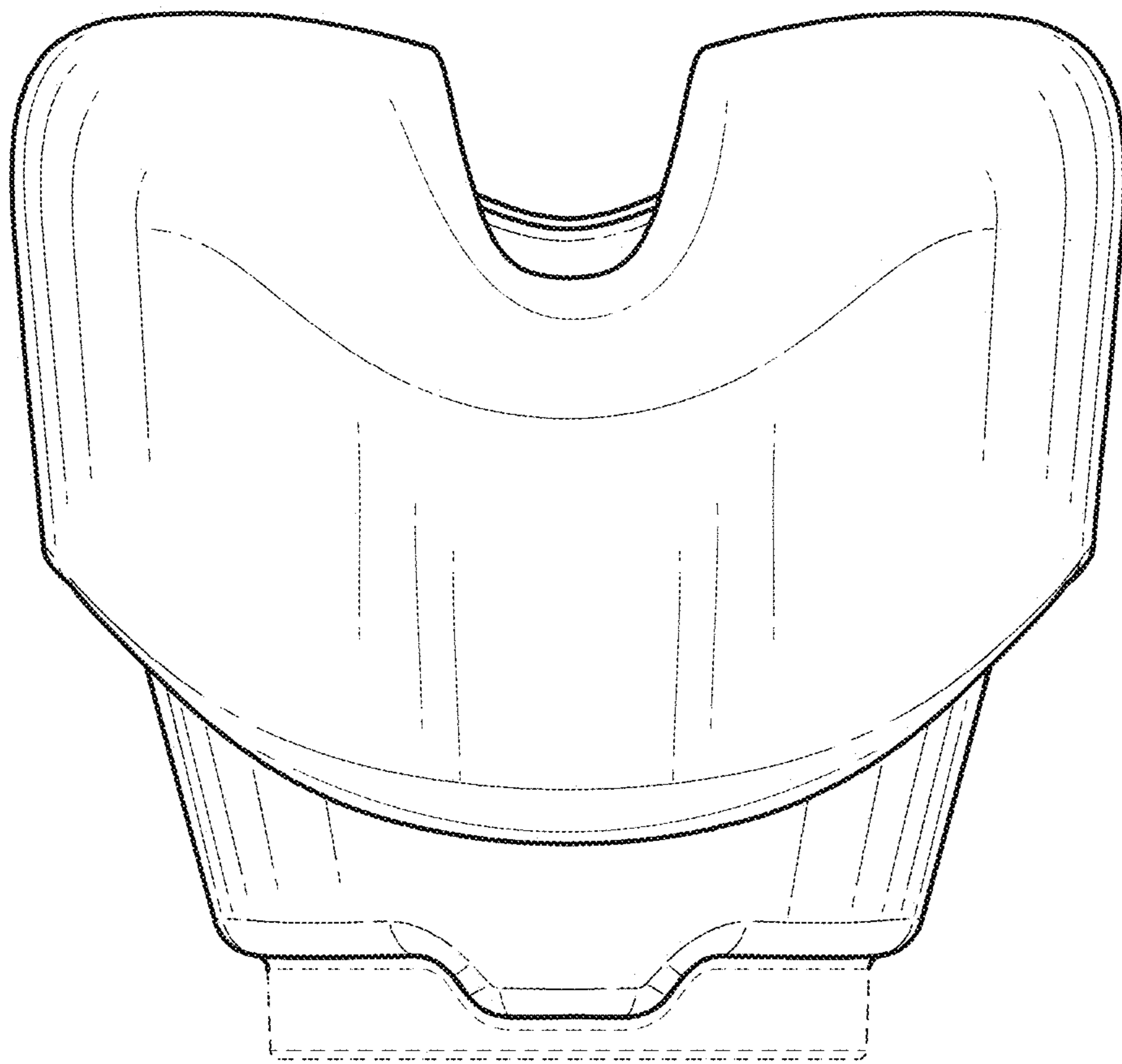


FIG. 7

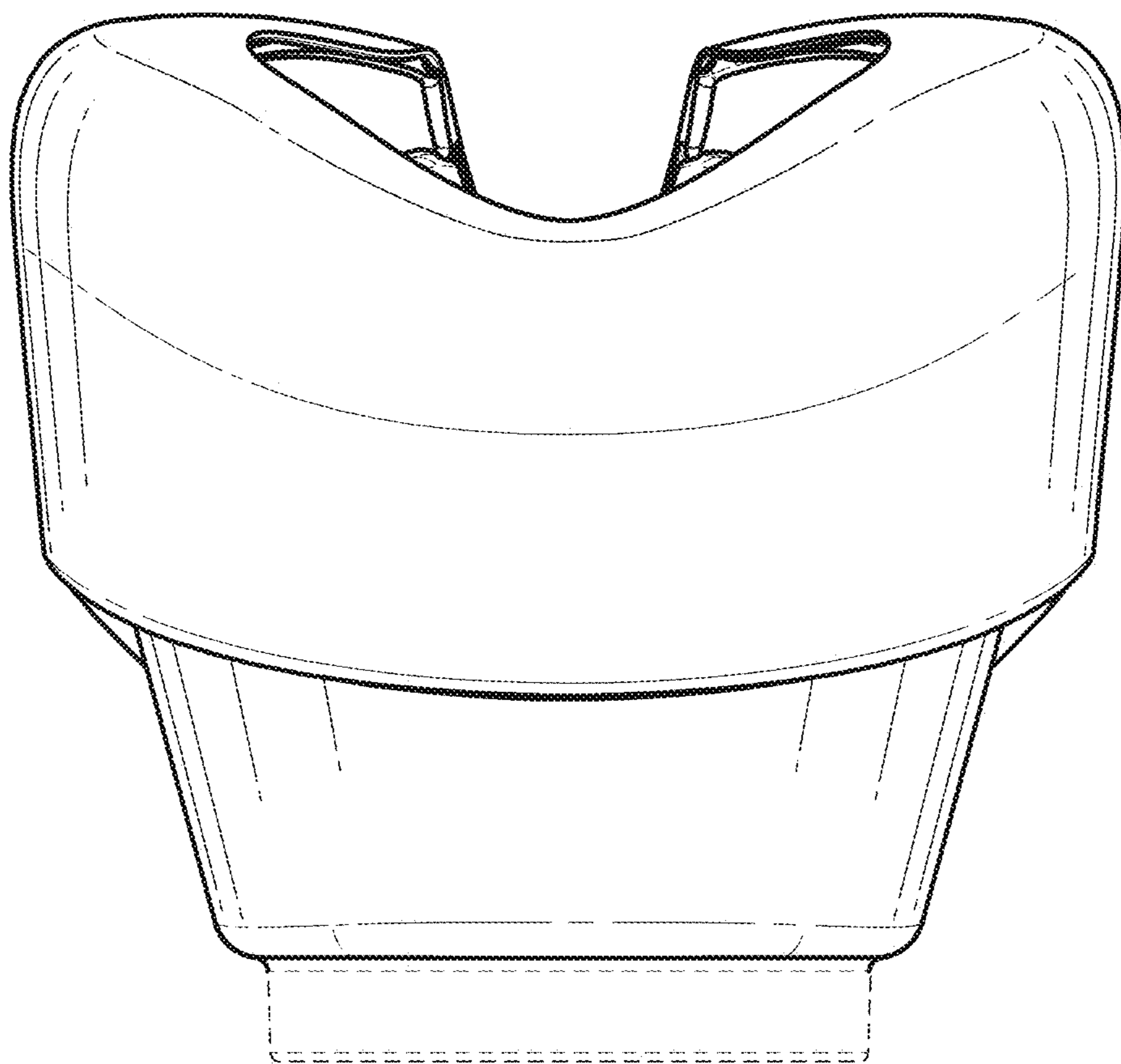


FIG. 8