



US00D908203S

(12) **United States Design Patent** (10) **Patent No.:** **US D908,203 S**
Schumaier et al. (45) **Date of Patent:** **** Jan. 19, 2021**

(54) **EARPLUG FACEPLATE**

(71) Applicant: **Daniel R. Schumaier**, Elizabethton, TN (US)

(72) Inventors: **Daniel R. Schumaier**, Elizabethton, TN (US); **Joseph Sean Riner**, Johnson City, TN (US)

(73) Assignee: **Daniel R. Schumaier**, Elizabethton, TN (US)

(**) Term: **15 Years**

(21) Appl. No.: **29/659,310**

(22) Filed: **Aug. 8, 2018**

Related U.S. Application Data

(60) Division of application No. 29/571,602, filed on Jul. 20, 2016, now abandoned, which is a continuation-in-part of application No. 15/190,645, filed on Jun. 23, 2016, now Pat. No. 9,730,837.

(51) **LOC (13) Cl.** **24-04**

(52) **U.S. Cl.**
USPC **D24/106**

(58) **Field of Classification Search**
USPC D24/106; D11/215; D32/46
CPC A61F 11/08; A61F 11/12; A61F 11/008;
A61F 2011/085

See application file for complete search history.

(56) **References Cited**

U.S. PATENT DOCUMENTS

4,228,719	A *	10/1980	Keene	G10D 3/173 84/322
9,730,837	B1 *	8/2017	Schumaier	A61F 11/08
D819,434	S *	6/2018	Sonneman	D8/394
D830,052	S *	10/2018	Meredith, Sr.	D3/215
D874,553	S *	2/2020	Costa	D16/237
2004/0158284	A1 *	8/2004	Son	A61H 39/04 606/201

* cited by examiner

Primary Examiner — Richelle G Shelton

(74) *Attorney, Agent, or Firm* — Luedeka Neely Group, P.C.

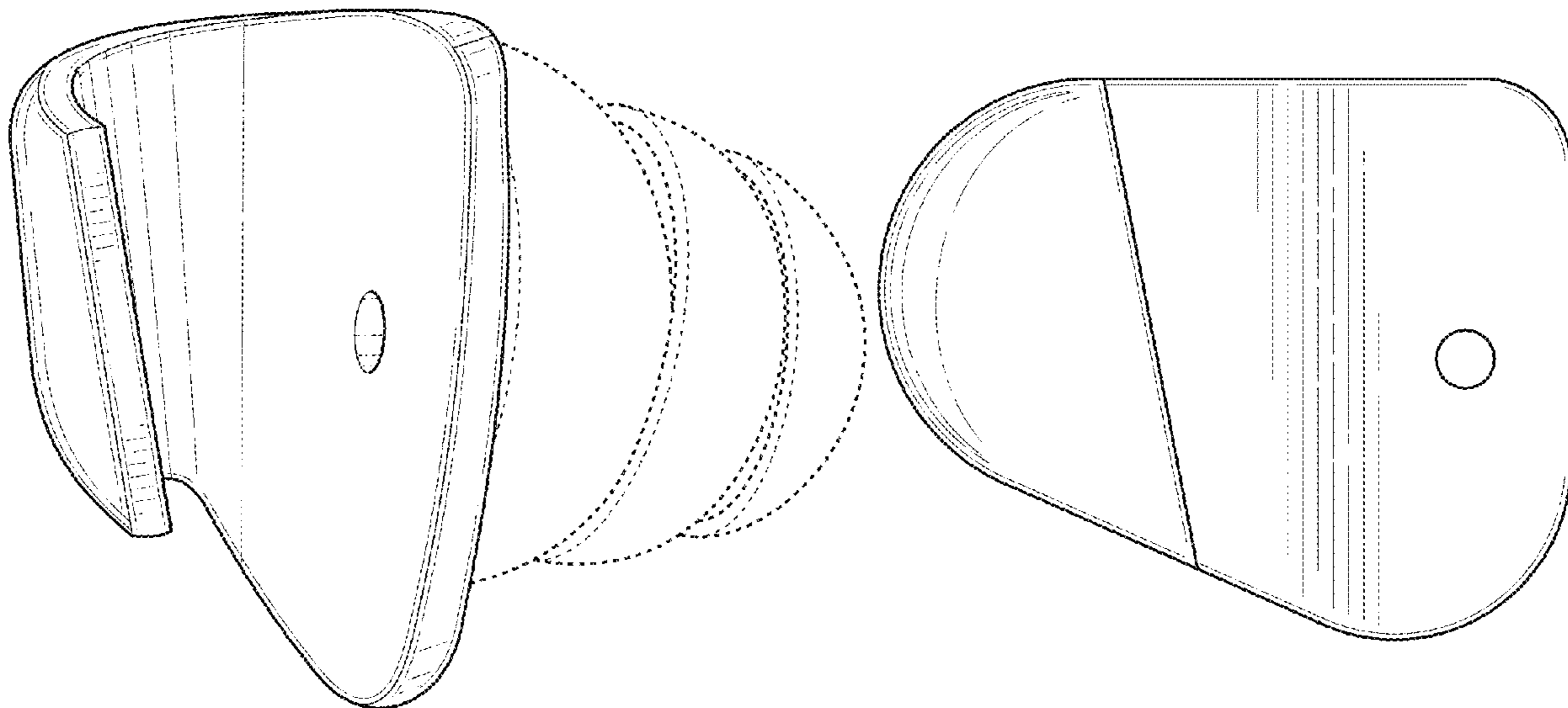
(57) **CLAIM**

The ornamental design for an earplug faceplate, as shown and described.

DESCRIPTION

FIG. 1 is a perspective view of the earplug faceplate; FIG. 2 is a perspective view of an earplug assembly including the earplug faceplate; FIG. 3 is a front elevation view of the earplug faceplate; and, FIG. 4 is a side elevation view of the earplug faceplate. The broken lines shown in the figures are included for the purpose of illustrating environment and form no part of the claimed design.

1 Claim, 3 Drawing Sheets



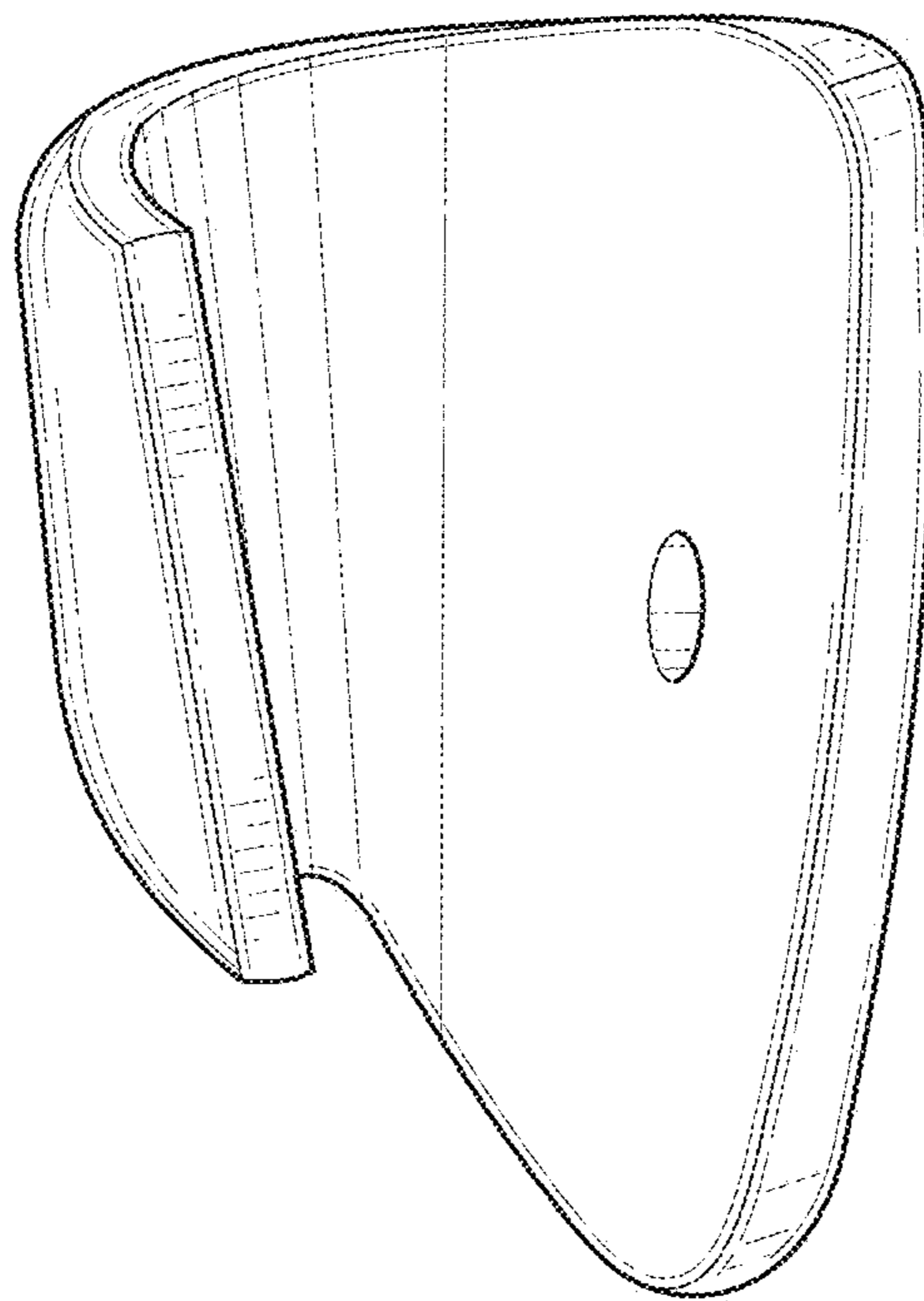


FIG. 1

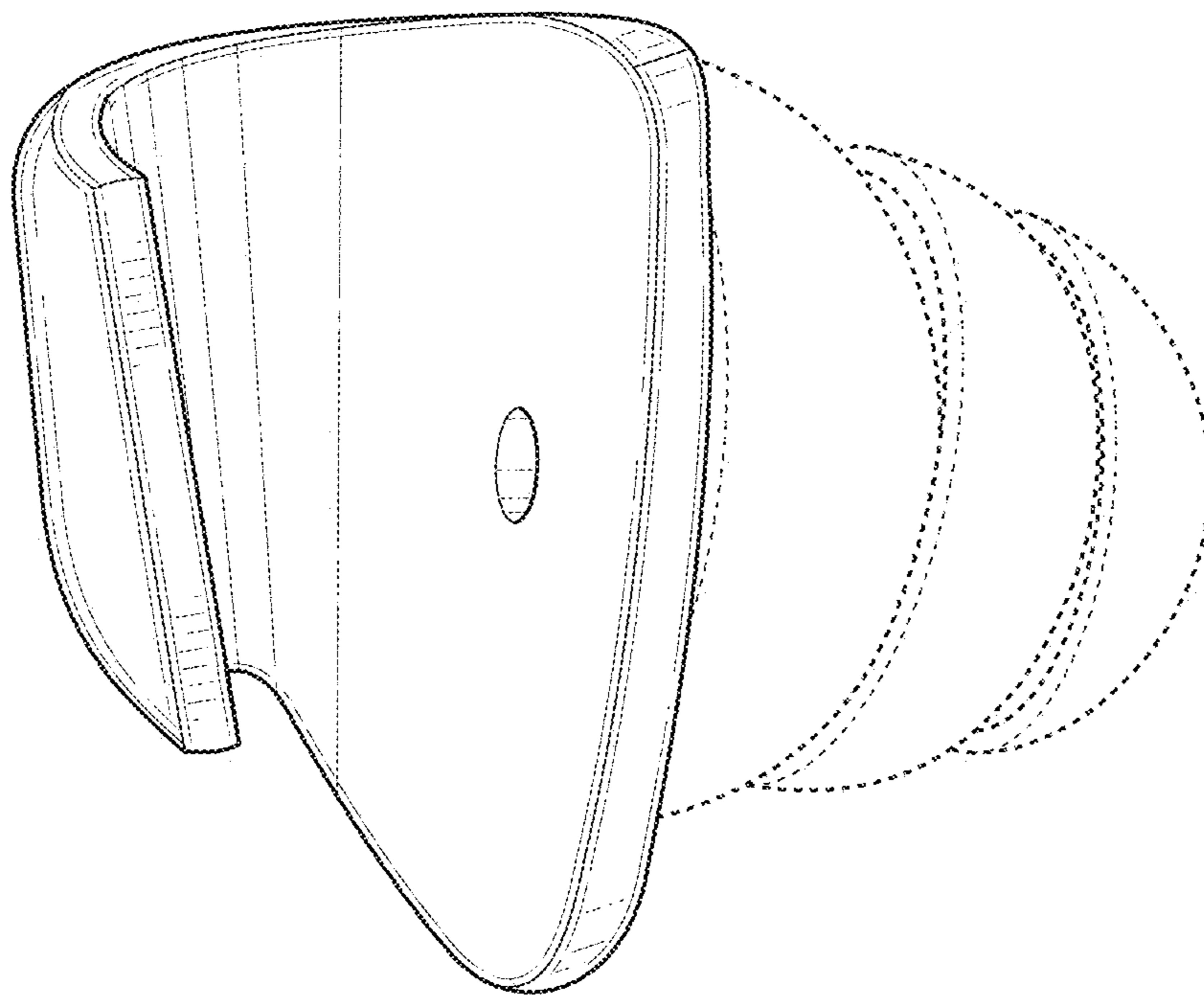


FIG. 2

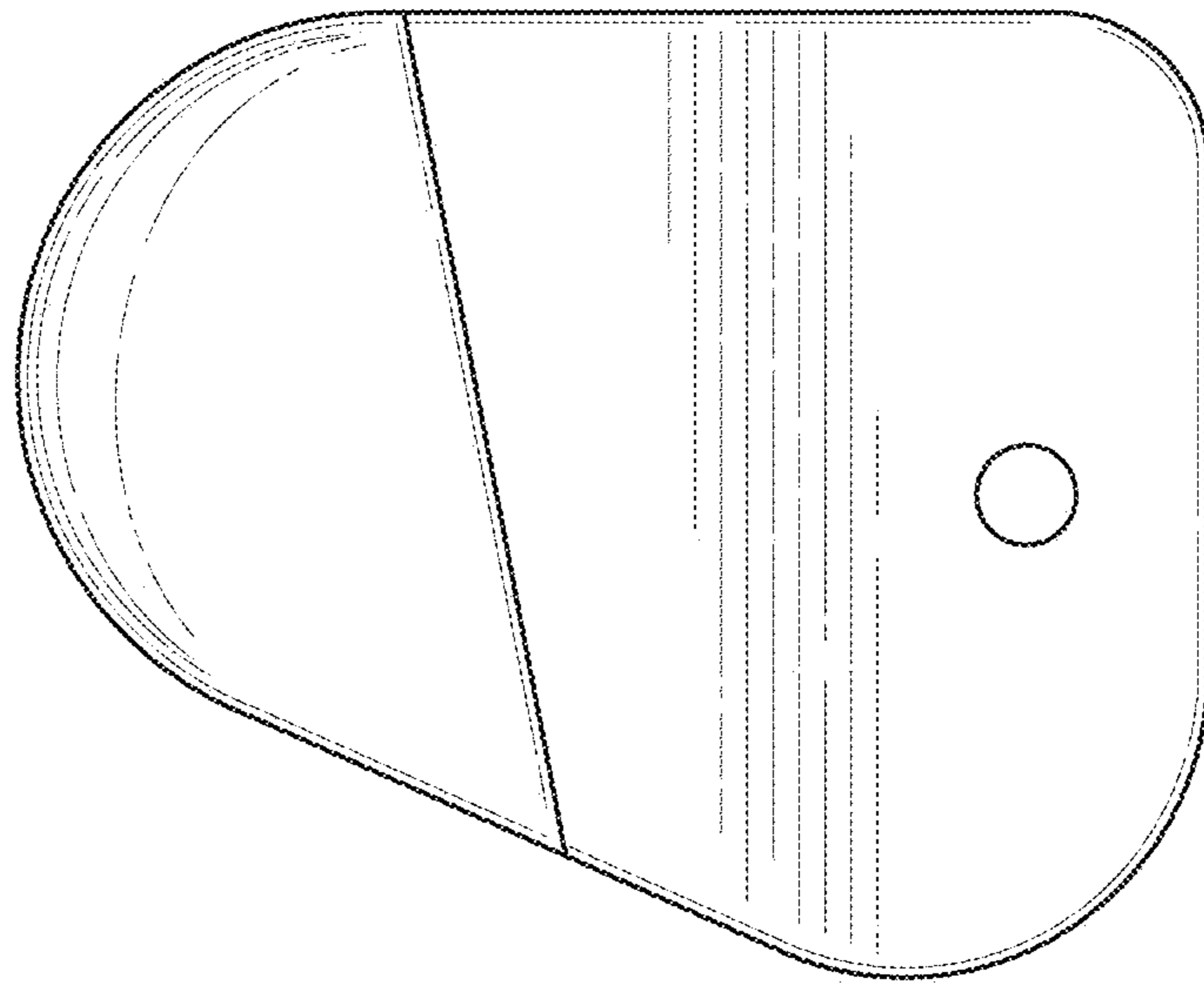


FIG. 3

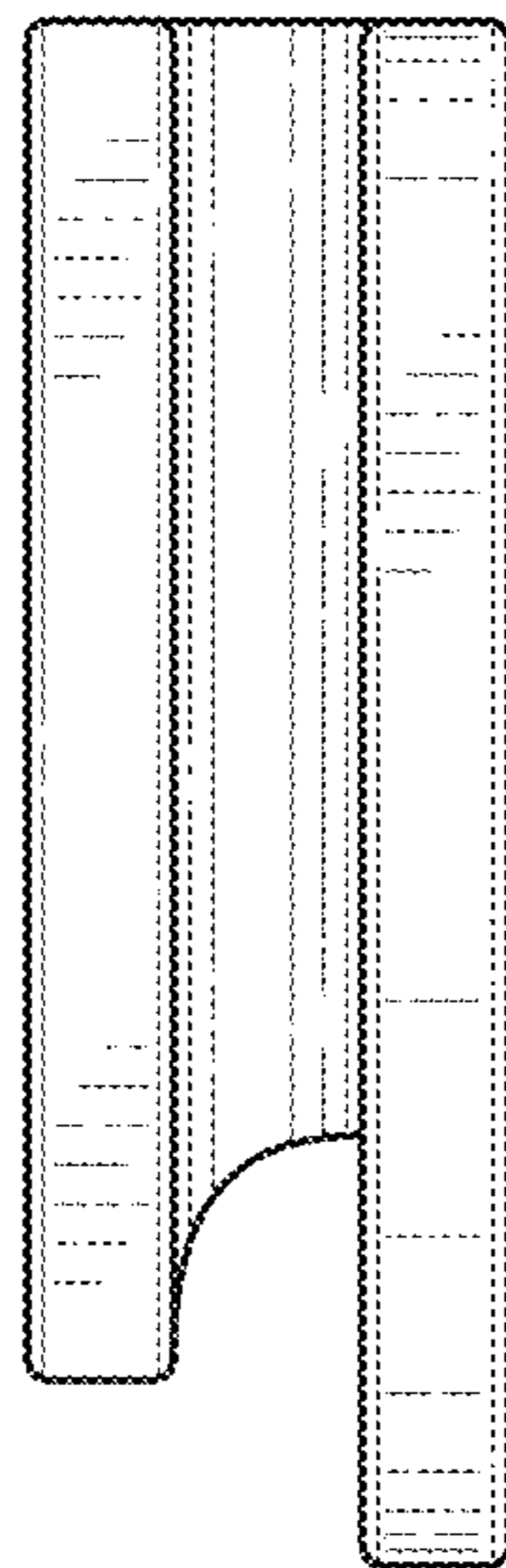


FIG. 4