



US00D908199S

(12) **United States Design Patent** (10) **Patent No.:** **US D908,199 S**  
**Vandenbelt et al.** (45) **Date of Patent:** **\*\* \*Jan. 19, 2021**

(54) **AIR PURIFIER**

D662,580 S \* 6/2012 Blanking ..... D23/366  
D731,045 S \* 6/2015 Huang ..... D23/364  
2010/0140371 A1\* 6/2010 Zuo ..... A61L 9/03  
239/34

(71) Applicant: **Headwaters Research & Development, Inc.**, Ottawa (CA)

(72) Inventors: **Rudy A. Vandenbelt**, Ottawa (CA);  
**David Harris**, Hollis, NH (US)

(73) Assignee: **Headwaters Research & Development, Inc.**, Ottawa (CA)

(\*) Notice: This patent is subject to a terminal disclaimer.

(\*\*) Term: **15 Years**

(21) Appl. No.: **29/639,575**

(22) Filed: **Mar. 7, 2018**

(51) **LOC (13) Cl.** ..... **23-04**

(52) **U.S. Cl.**  
USPC ..... **D23/366**

(58) **Field of Classification Search**  
USPC ..... D23/208, 355-369; D32/53; D11/79  
CPC ..... A61L 9/02; A61L 9/03; A61L 9/12; A61L 9/035; A61L 9/125; B03C 3/38; A61N 5/1007  
See application file for complete search history.

(56) **References Cited**

**U.S. PATENT DOCUMENTS**

D512,493 S \* 12/2005 Haranaka ..... D23/355  
D647,193 S \* 10/2011 Kim ..... D23/366  
D650,058 S \* 12/2011 Riley ..... D23/366  
D653,322 S \* 1/2012 Southernwood ..... A61L 9/03  
D23/366

**OTHER PUBLICATIONS**

Amazon.com, AirTamer Advanced Rechargeable Air Purifier A315 Portable Negative Ion Generator, earliest review Dec. 2018, online product page retrieved Sep. 27, 2019 from <URL:https://www.amazon.com/AirTamer-Rechargeable-Generator-Eliminating-Allergens/dp/B07GWX3Y7P> (Year: 2018).\*

\* cited by examiner

*Primary Examiner* — Sheryl Lane

*Assistant Examiner* — Calvin E Vansant

(74) *Attorney, Agent, or Firm* — Bay State IP, LLC

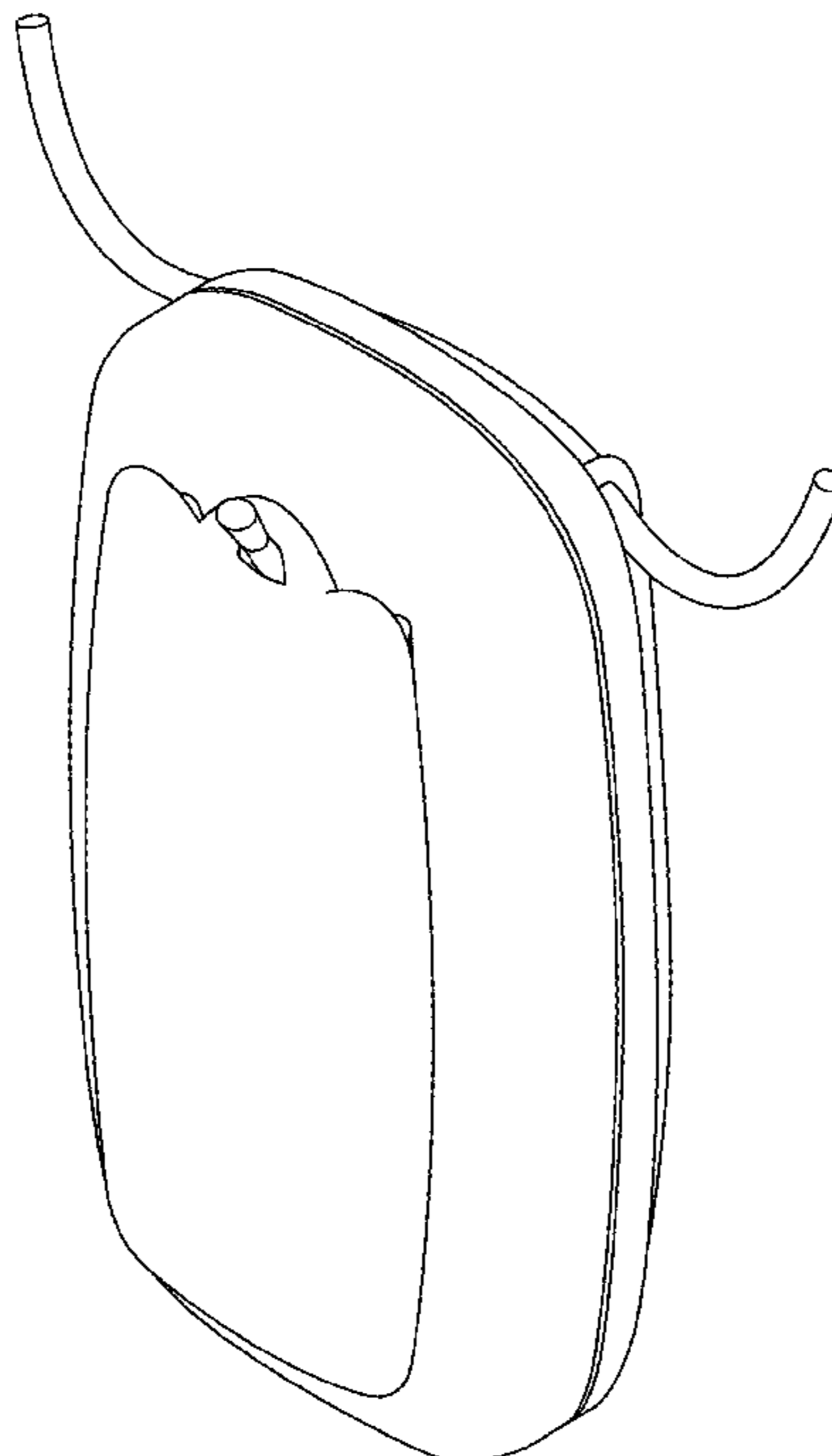
(57) **CLAIM**

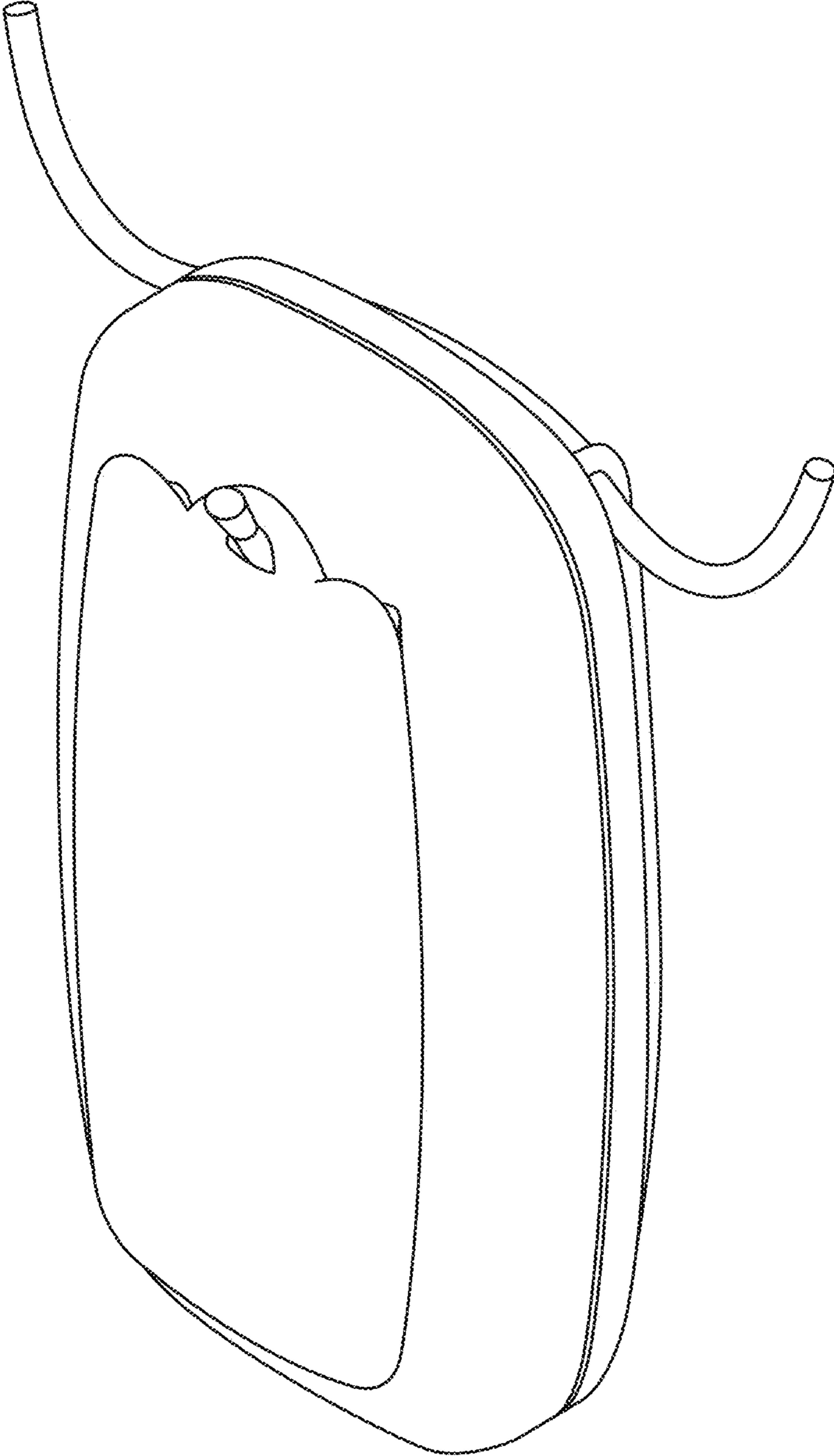
The ornamental design for an air purifier, as shown and described.

**DESCRIPTION**

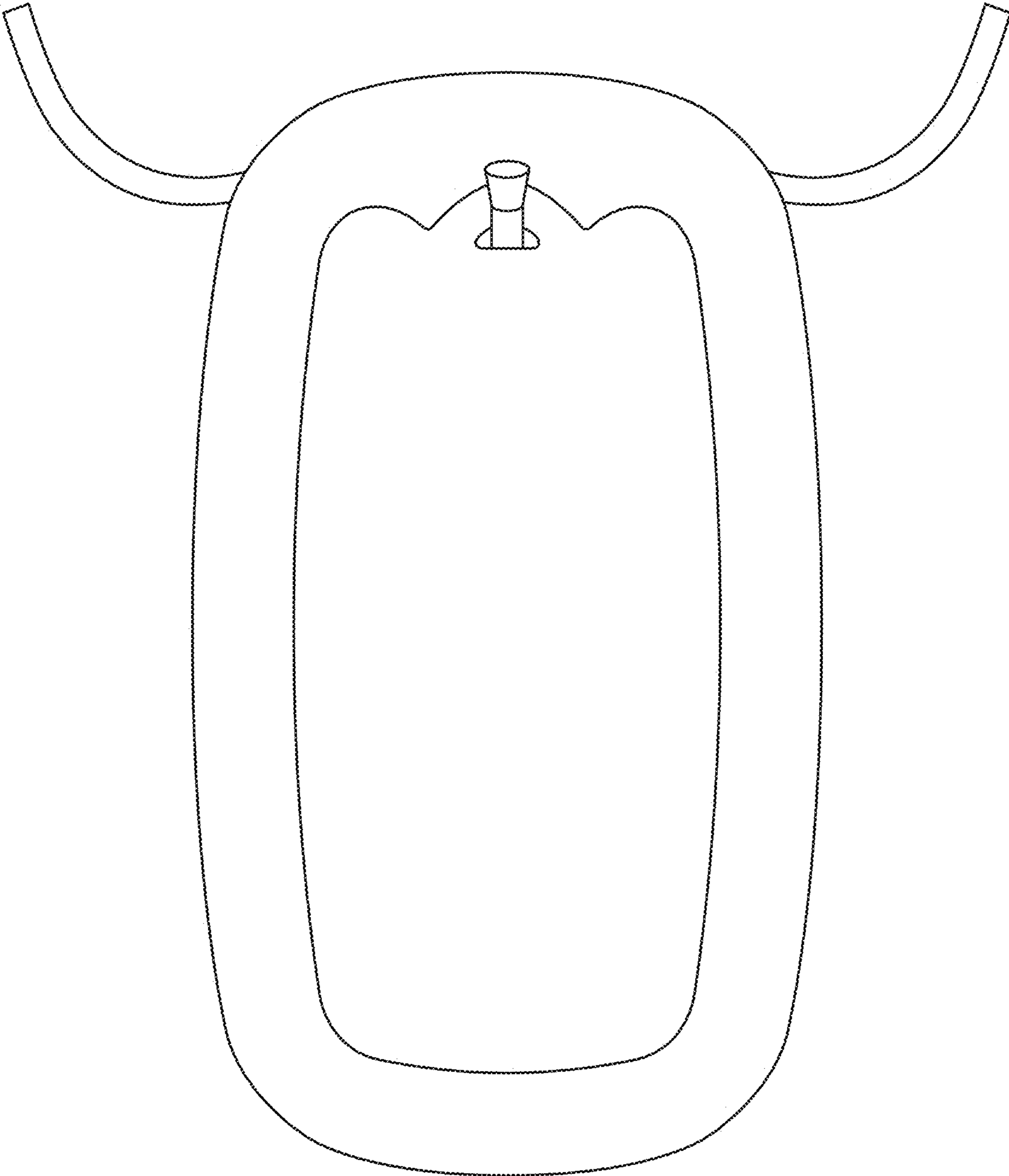
FIG. 1 is a back perspective view of the air purifier showing our new design;  
FIG. 2 is a back view thereof;  
FIG. 3 is a front view thereof;  
FIG. 4 is a top view thereof;  
FIG. 5 is a bottom thereof;  
FIG. 6 is a left side view thereof;  
FIG. 7 is a right side view thereof; and,  
FIG. 8 is a back perspective view with a back plate in an open position.  
The broken lines in the drawings depict portions of the air purifier that form no part of the claimed design.

**1 Claim, 7 Drawing Sheets**

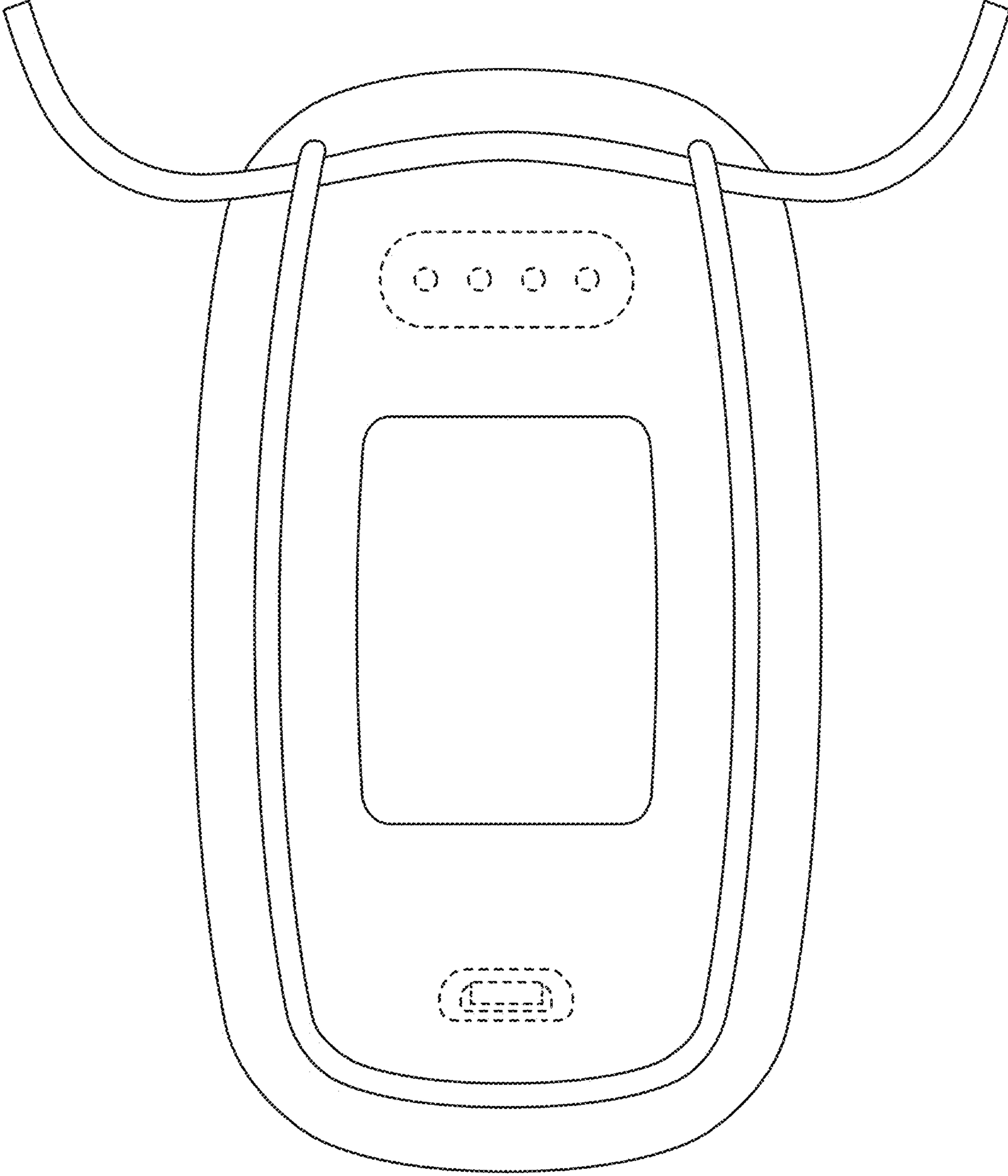




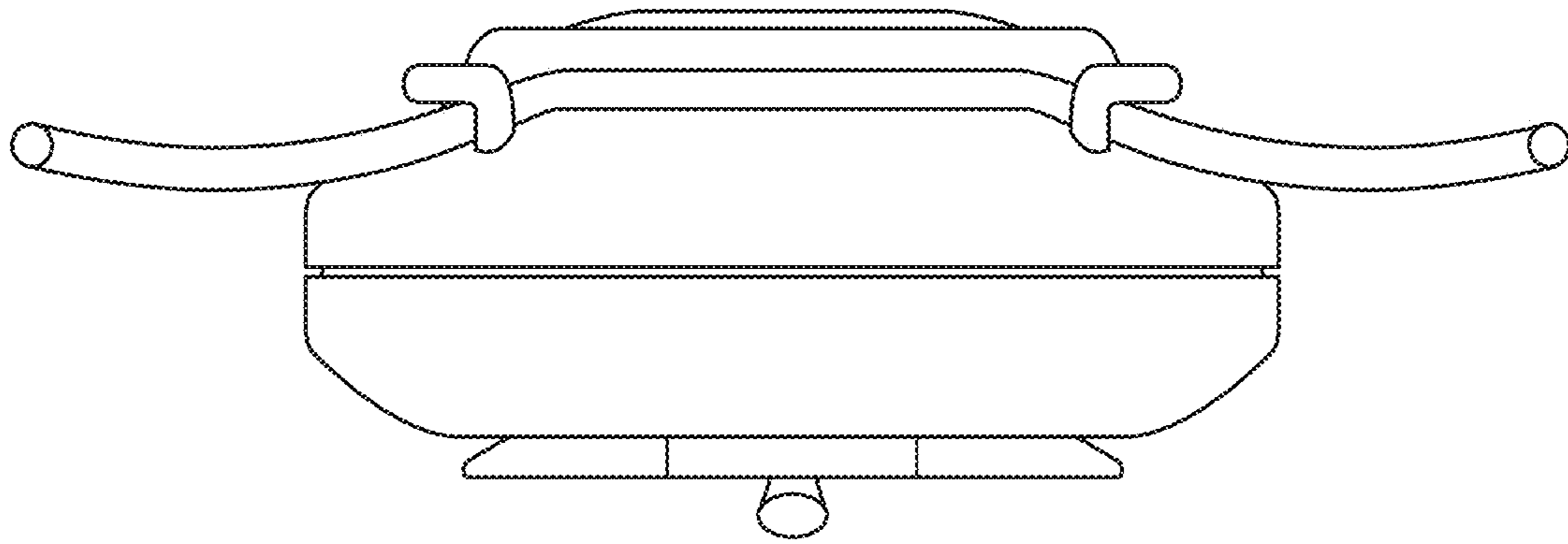
*Fig. 1*



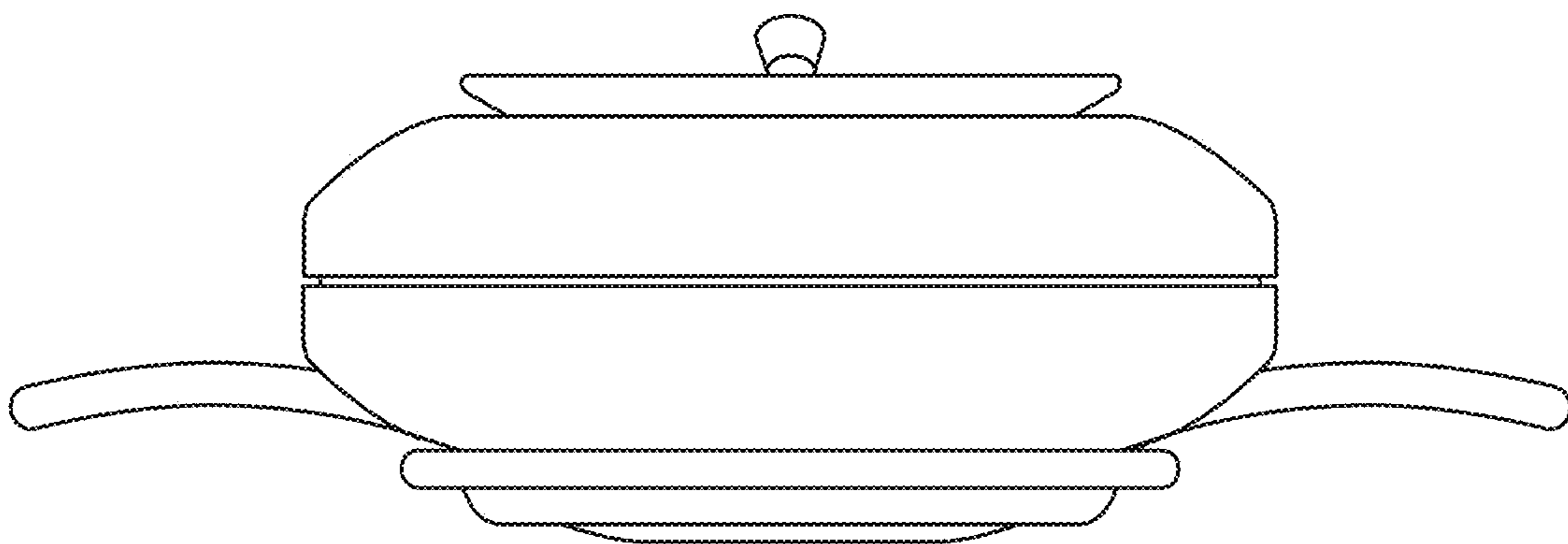
*Fig. 2*



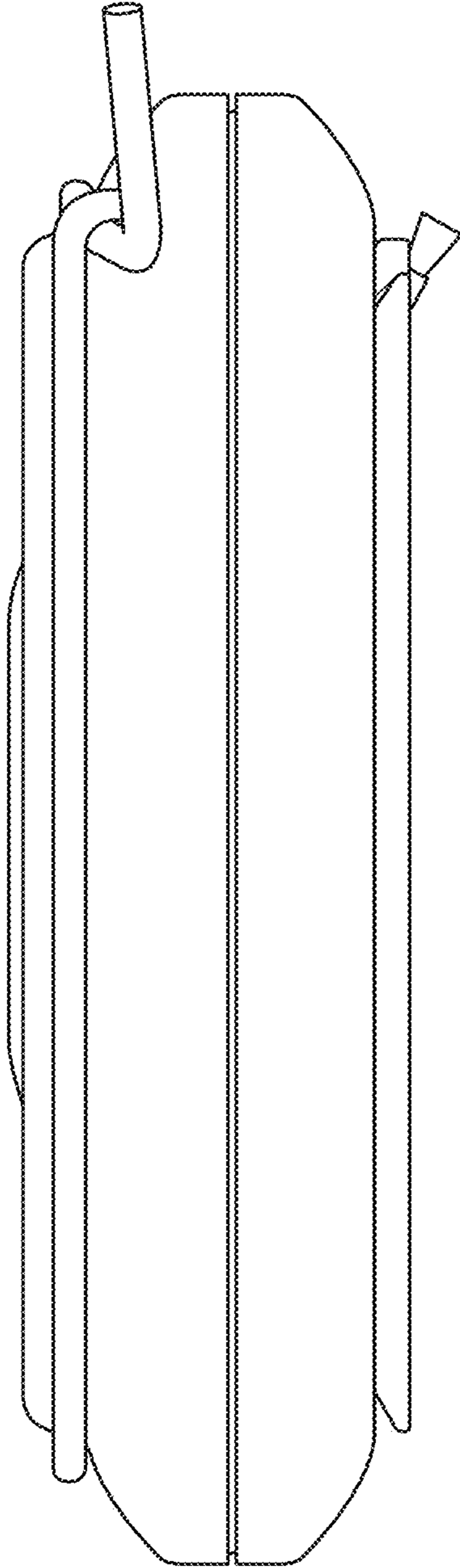
*Fig. 3*



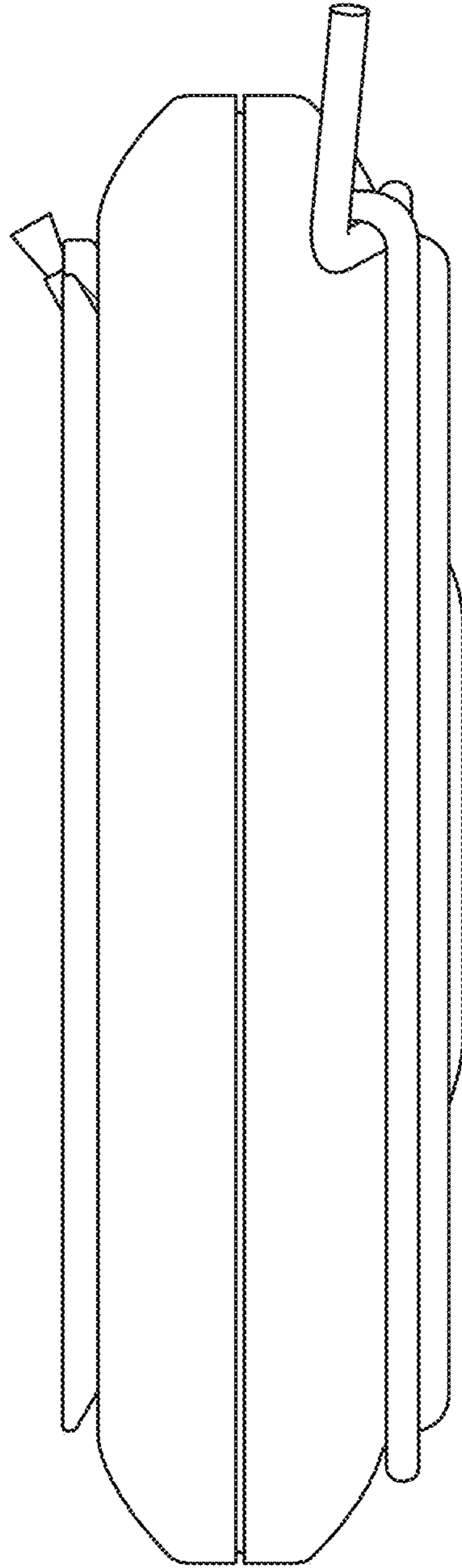
*Fig. 4*



*Fig. 5*

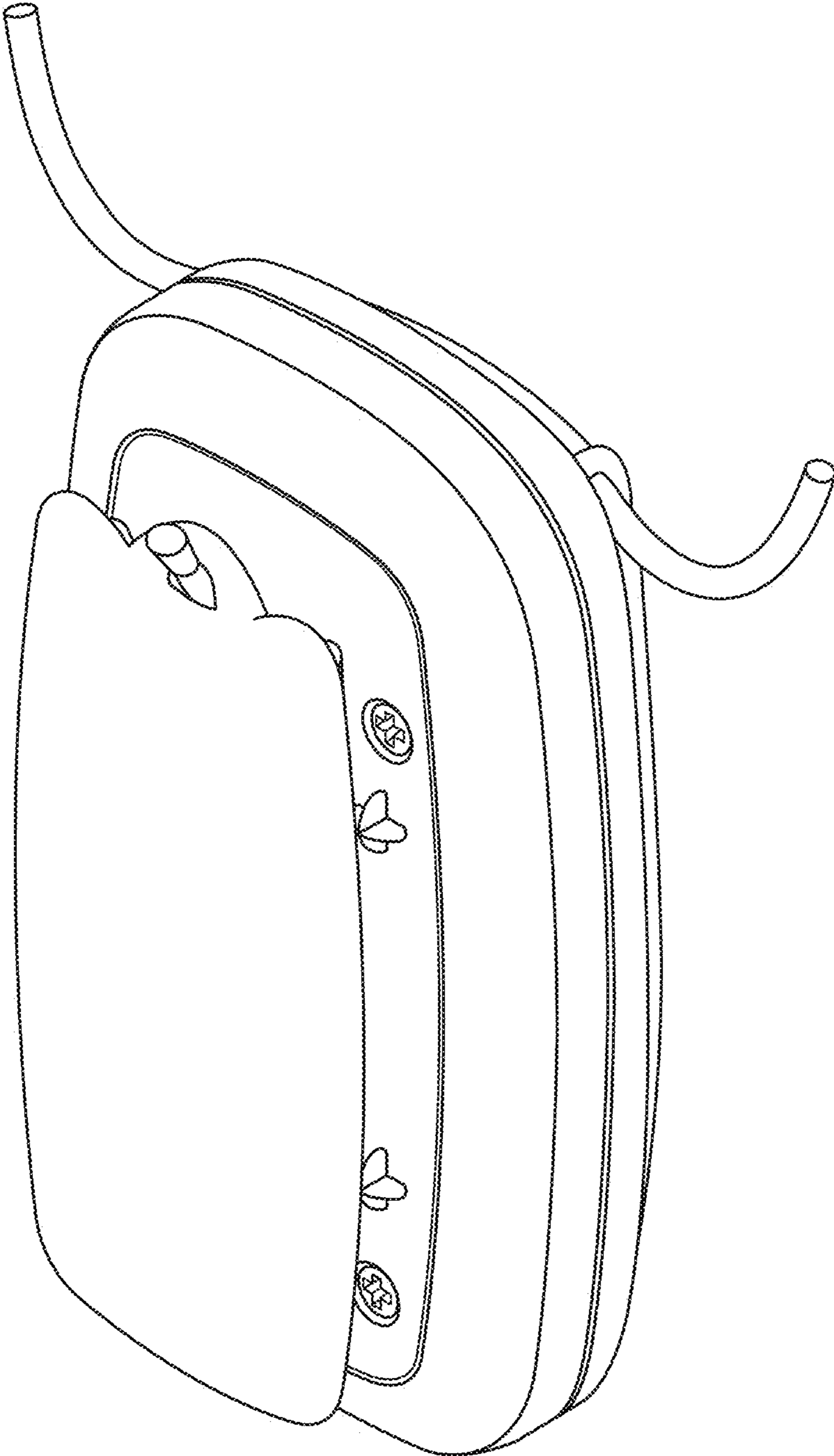


*Fig. 6*



*Fig. 7*





*Fig. 8*