



US00D908196S

(12) **United States Design Patent**
Tropper

(10) **Patent No.:** **US D908,196 S**

(45) **Date of Patent:** **** Jan. 19, 2021**

(54) **SQUARE FLANGE FOR PIPE CONNECTOR**

(71) Applicant: **LDR Global Industries, LLC,**
Chicago, IL (US)

(72) Inventor: **Hillel Tropper,** Brooklyn, NY (US)

(73) Assignee: **LDR Global Industries, LLC,**
Chicago, IL (US)

(**) Term: **15 Years**

(21) Appl. No.: **29/689,886**

(22) Filed: **May 2, 2019**

(51) **LOC (13) Cl.** **23-01**

(52) **U.S. Cl.**
USPC **D23/262**

(58) **Field of Classification Search**
USPC D8/349, 354; D23/262, 266, 269, 259
CPC E04D 13/1476; F16L 23/024; B29C 57/00;
E03D 11/16; E03D 11/17
See application file for complete search history.

(56) **References Cited**

U.S. PATENT DOCUMENTS

- 3,419,288 A * 12/1968 Logsdon E03D 11/16
285/58
- D269,111 S * 5/1983 Logsdon D23/269
- 4,443,044 A * 4/1984 Cain F16C 23/084
384/428
- 4,445,808 A * 5/1984 Arya E21D 21/0086
405/302.1
- D371,138 S * 6/1996 Waskiewicz 384/428
- 5,603,187 A * 2/1997 Merrin E04D 13/12
52/58
- 6,050,614 A * 4/2000 Kirkpatrick F16L 23/024
123/469
- D442,197 S * 5/2001 Willet D15/143
- D462,256 S * 9/2002 Jaynes D12/160
- 6,601,351 B1 * 8/2003 Zerfoss E04D 13/1407
285/42

- 7,882,670 B2 * 2/2011 West E04D 13/1476
454/13
- D662,572 S * 6/2012 Marquis-Martin D23/259
- 8,683,760 B2 * 4/2014 Segers E04D 13/1407
52/173.3
- D737,406 S * 8/2015 Waggoner D23/233
- D738,706 S * 9/2015 Knapp D8/356
- D748,760 S * 2/2016 Lohmann D23/259
- D805,223 S * 12/2017 DeBellis D25/199
- D837,041 S * 1/2019 Barnes D8/382
- 2004/0201180 A1 * 10/2004 Shah F16J 15/0887
277/592
- 2006/0226649 A1 * 10/2006 Heuer F16L 5/12
285/136.1
- 2010/0289262 A1 * 11/2010 Kobayashi F16L 23/0286
285/363
- 2012/0090263 A1 * 4/2012 Schaefer E04D 13/1476
52/741.4
- 2014/0260044 A1 * 9/2014 Gilleran E04D 13/1476
52/506.1

* cited by examiner

Primary Examiner — Philip S Hyder

(74) *Attorney, Agent, or Firm* — Weiss & Arons LLP

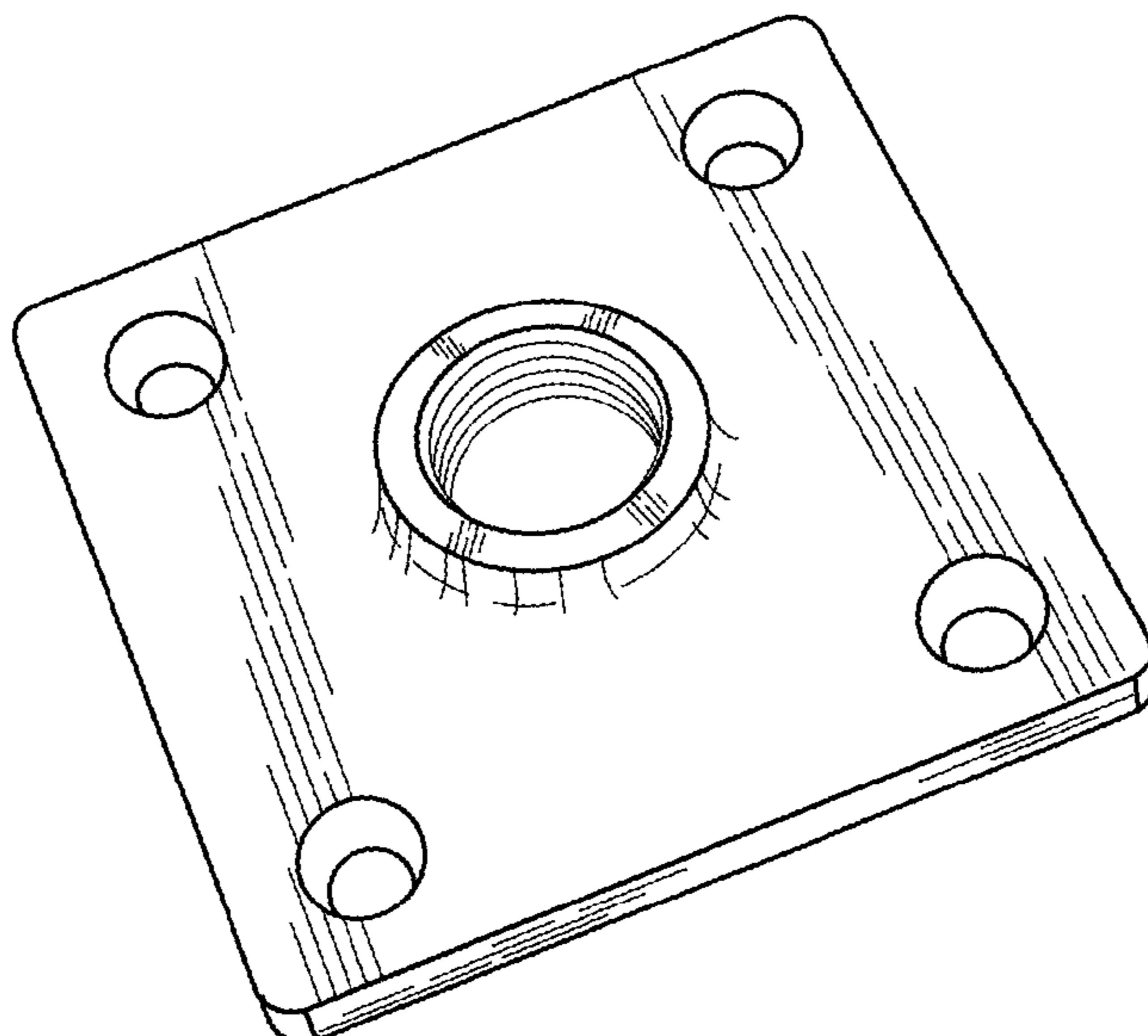
(57) **CLAIM**

The ornamental design for a square flange for pipe connector, as shown and described.

DESCRIPTION

FIG. 1 is a top face view of the square flange for pipe connector;
 FIG. 2 is a bottom face view of the square flange for pipe connector;
 FIG. 3 is a bottom perspective view of the square flange for pipe connector;
 FIG. 4 is a side view, from any side, of the square flange for pipe connector; and,
 FIG. 5 is a top perspective view of the square flange for pipe connector.

1 Claim, 3 Drawing Sheets



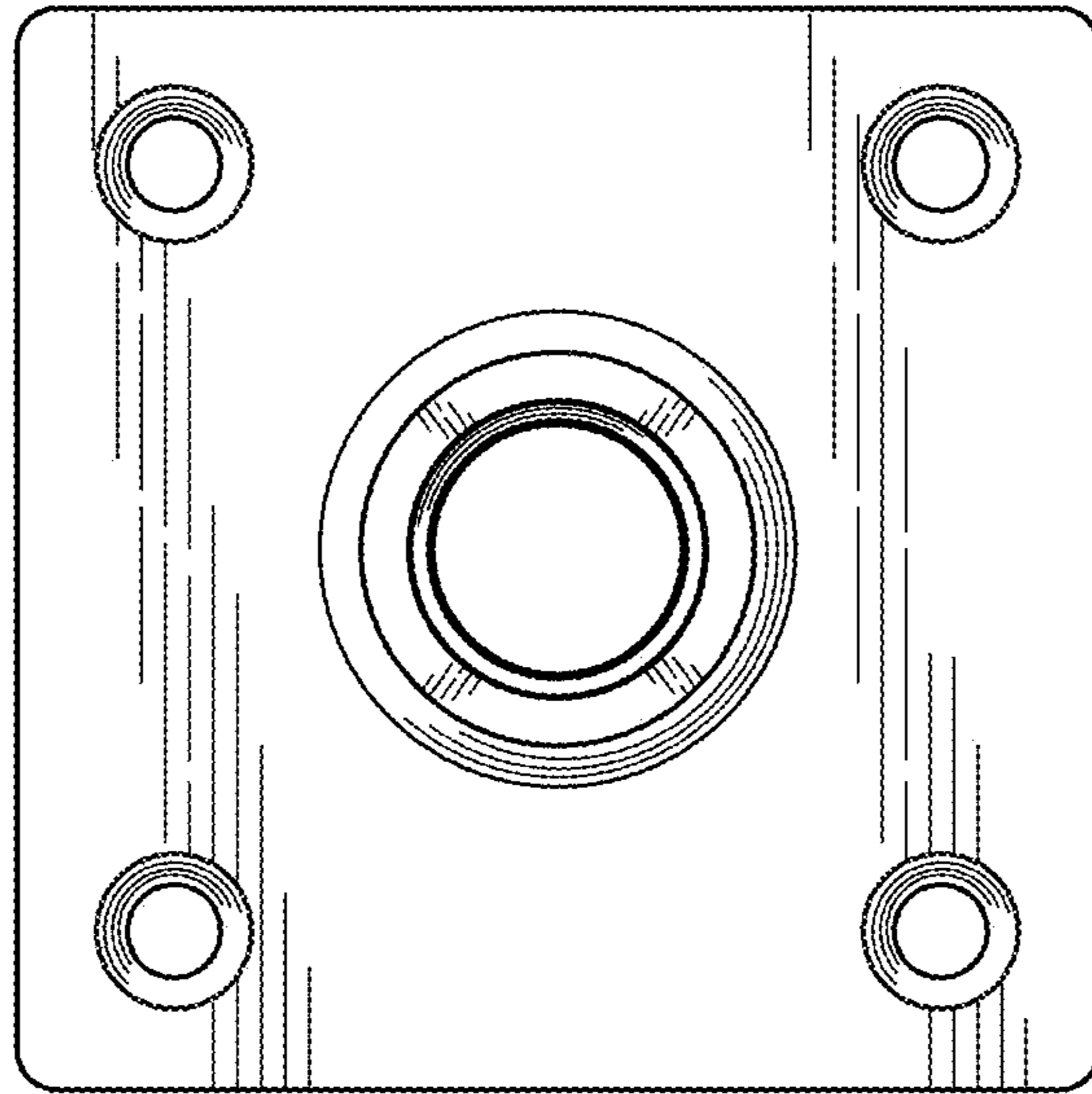


FIG. 1

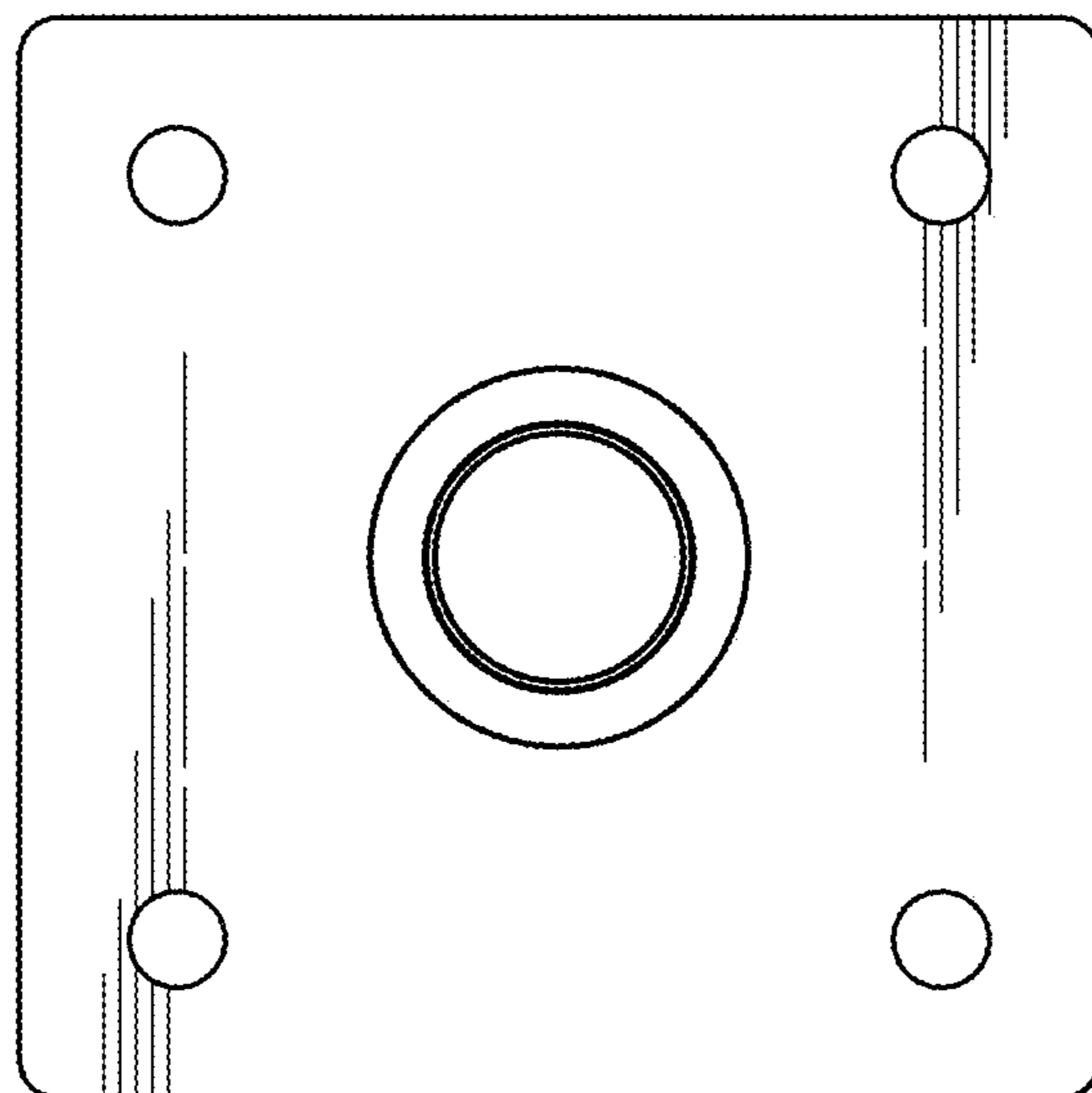


FIG. 2

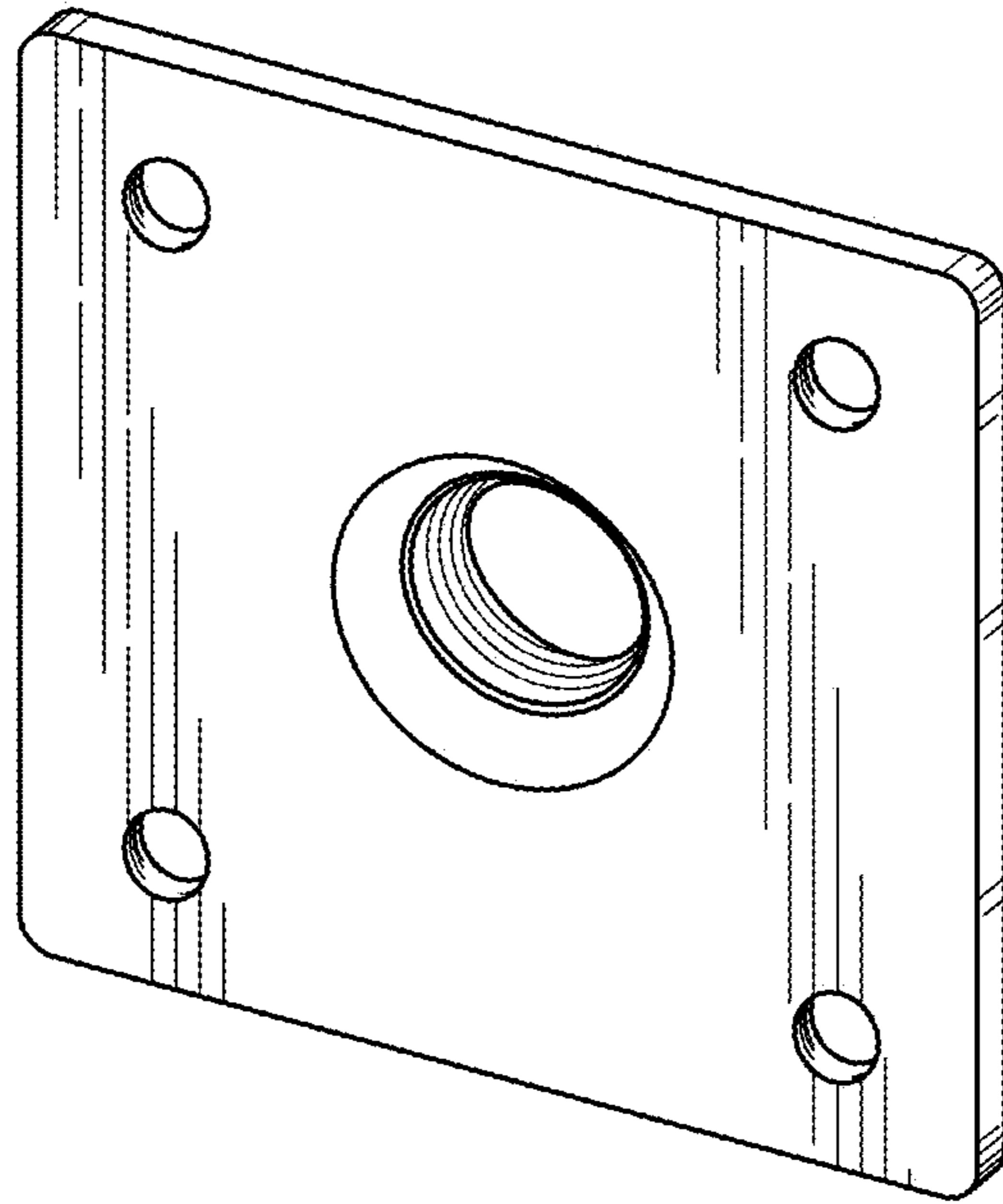


FIG. 3

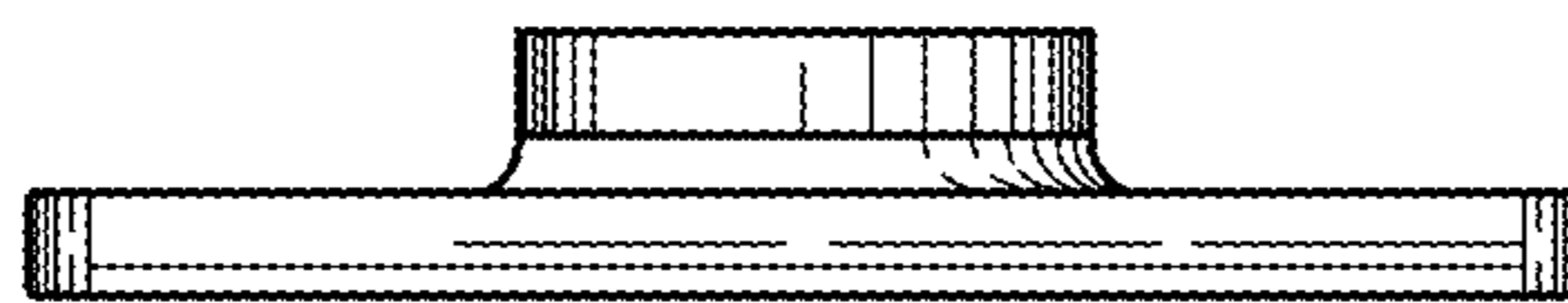


FIG. 4

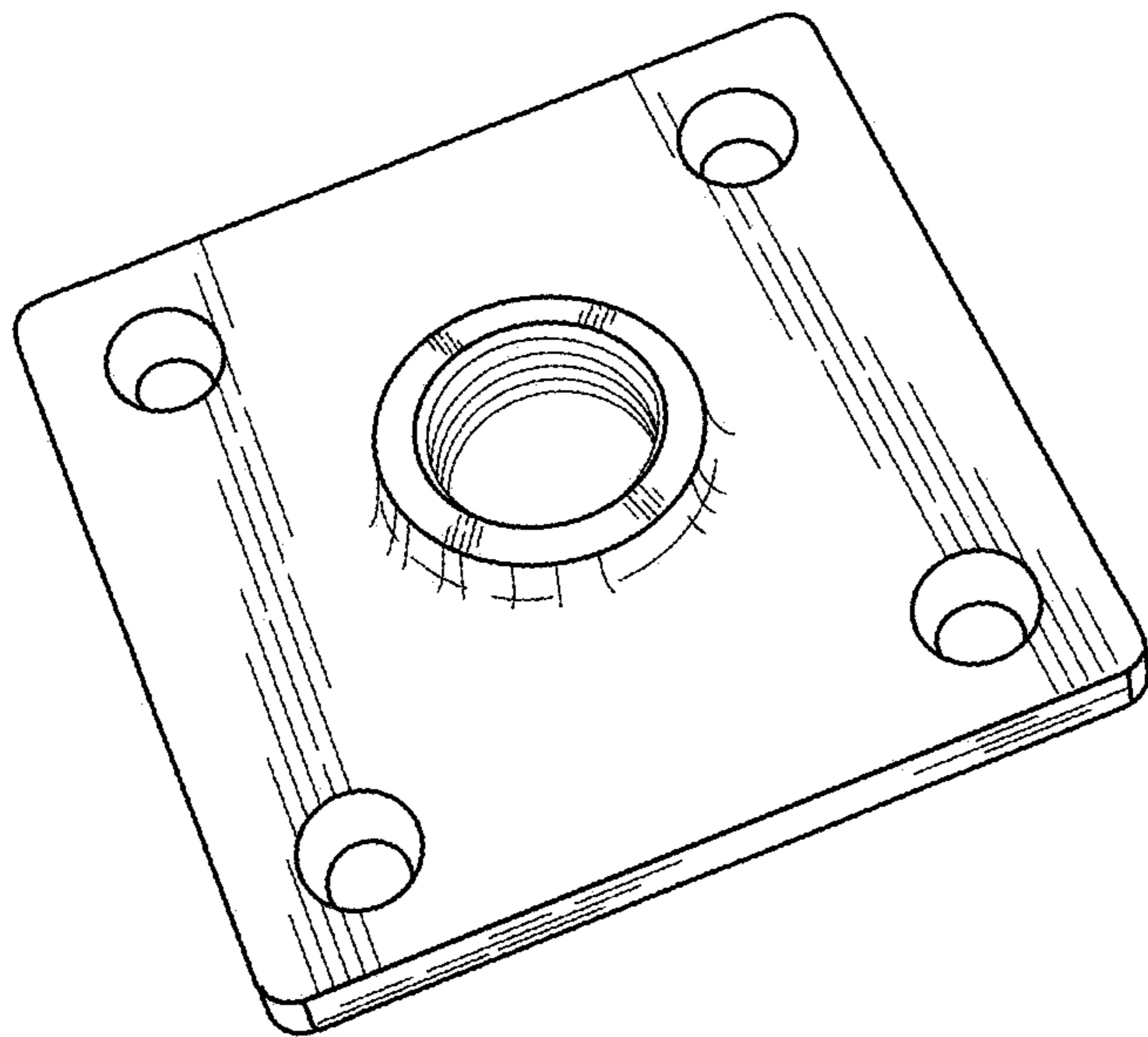


FIG. 5