



US00D908195S

(12) **United States Design Patent** (10) **Patent No.:** **US D908,195 S**
Mo (45) **Date of Patent:** **** Jan. 19, 2021**

(54) **AUTOMATIC SENSOR TOUCHLESS BATHROOM SINK FAUCET**

(71) Applicant: **Bin Mo**, Shenzhen (CN)

(72) Inventor: **Bin Mo**, Shenzhen (CN)

(**) Term: **15 Years**

(21) Appl. No.: **29/740,111**

(22) Filed: **Jul. 1, 2020**

(51) **LOC (13) Cl.** **23-01**

(52) **U.S. Cl.**
USPC **D23/255**

(58) **Field of Classification Search**
USPC D23/238, 255, 257, 249; D6/542;
D10/96, 101
See application file for complete search history.

(56) **References Cited**

U.S. PATENT DOCUMENTS

3,774,643	A *	11/1973	Cole	F16K 11/18 137/636.4
D346,645	S *	5/1994	Hill	D23/255
D367,518	S *	2/1996	Bavoso	D23/238
5,490,536	A *	2/1996	Cole	F16K 11/027 137/315.39
6,082,407	A *	7/2000	Paterson	E03C 1/057 137/801
D446,843	S *	8/2001	Martinez	D23/255
D511,562	S *	11/2005	Ouyoung	D23/241
D517,659	S *	3/2006	Ouyoung	D23/255
D530,394	S *	10/2006	Paterson	D23/238
7,174,577	B2 *	2/2007	Jost	E03C 1/057 251/129.04
D606,631	S *	12/2009	Jones	D23/255
D677,366	S	3/2013	Chen		
D677,367	S	3/2013	Chen		
D706,906	S *	6/2014	Schoolcraft	D23/255

9,347,207	B2 *	5/2016	Chen	E03C 1/057
D787,643	S *	5/2017	Schoolcraft	D23/255
D797,900	S	9/2017	Ogata et al.		
D797,901	S	9/2017	Ogata et al.		
D886,240	S *	6/2020	Wesson	D23/238
D886,245	S *	6/2020	Wesson	D23/255
2004/0193326	A1 *	9/2004	Phillips	E03C 1/055 700/282
2015/0251892	A1 *	9/2015	Ciavarella	A47K 5/1204 141/326

OTHER PUBLICATIONS

Charmingwater Automatic Sensor Touchless Bathroom Sink Faucet, Amazon. com, full internet address in search notes (Year: 2019).*

* cited by examiner

Primary Examiner — Robert A Delehanty
(74) *Attorney, Agent, or Firm* — Ka Filing LLC

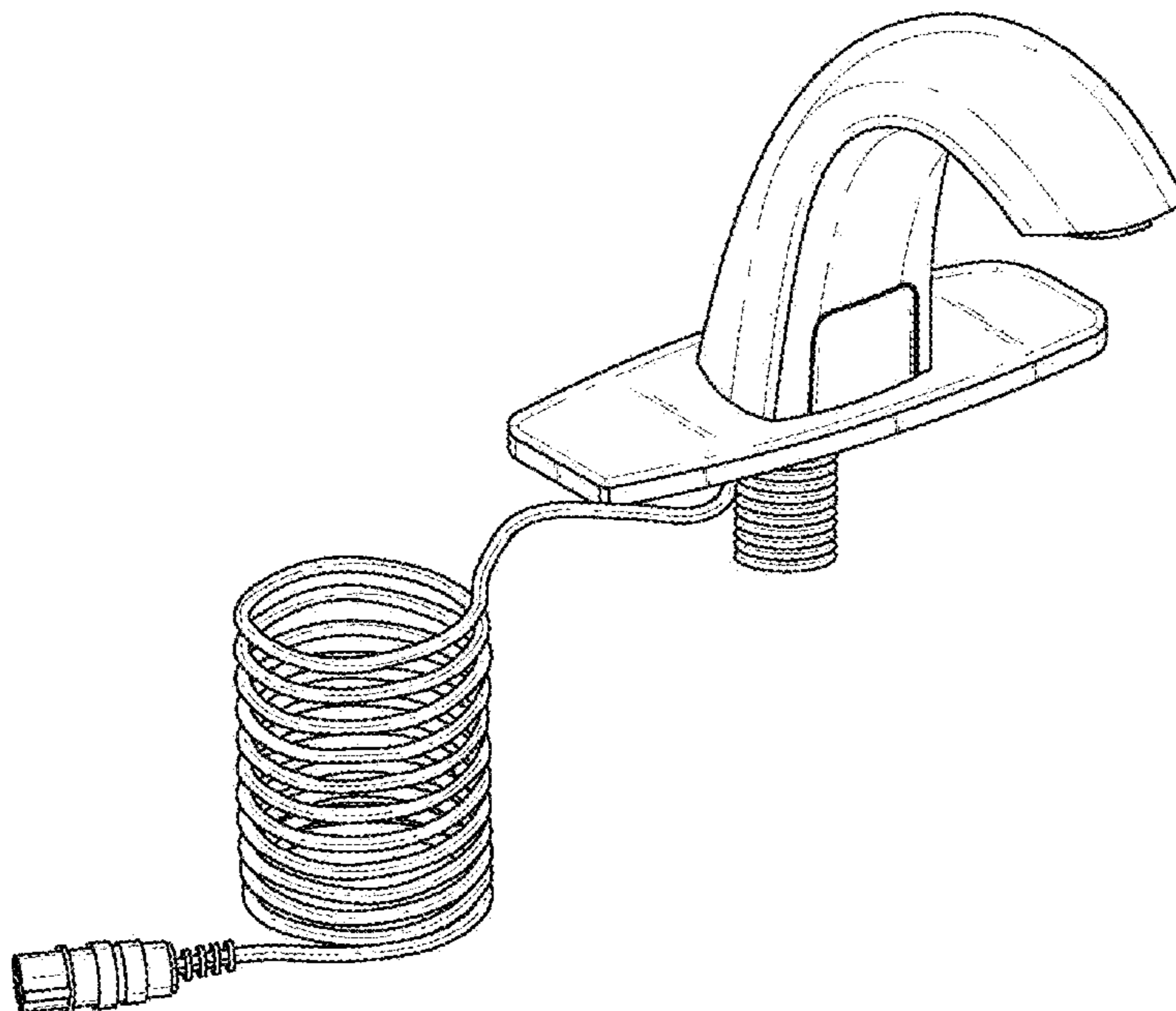
(57) **CLAIM**

I claim the ornamental design for a automatic sensor touchless bathroom sink faucet, as shown and described.

DESCRIPTION

FIG. 1 is a Perspective view of a automatic sensor touchless bathroom sink faucet showing my new design;
FIG. 2 is a Front view thereof;
FIG. 3 is a Back view thereof;
FIG. 4 is a Right-side view thereof;
FIG. 5 is a Left-side view thereof;
FIG. 6 is a Top view thereof; and,
FIG. 7 is a Bottom view thereof.
The broken lines are for the purpose of illustrating portions of the article that form no part of the claim.

1 Claim, 7 Drawing Sheets



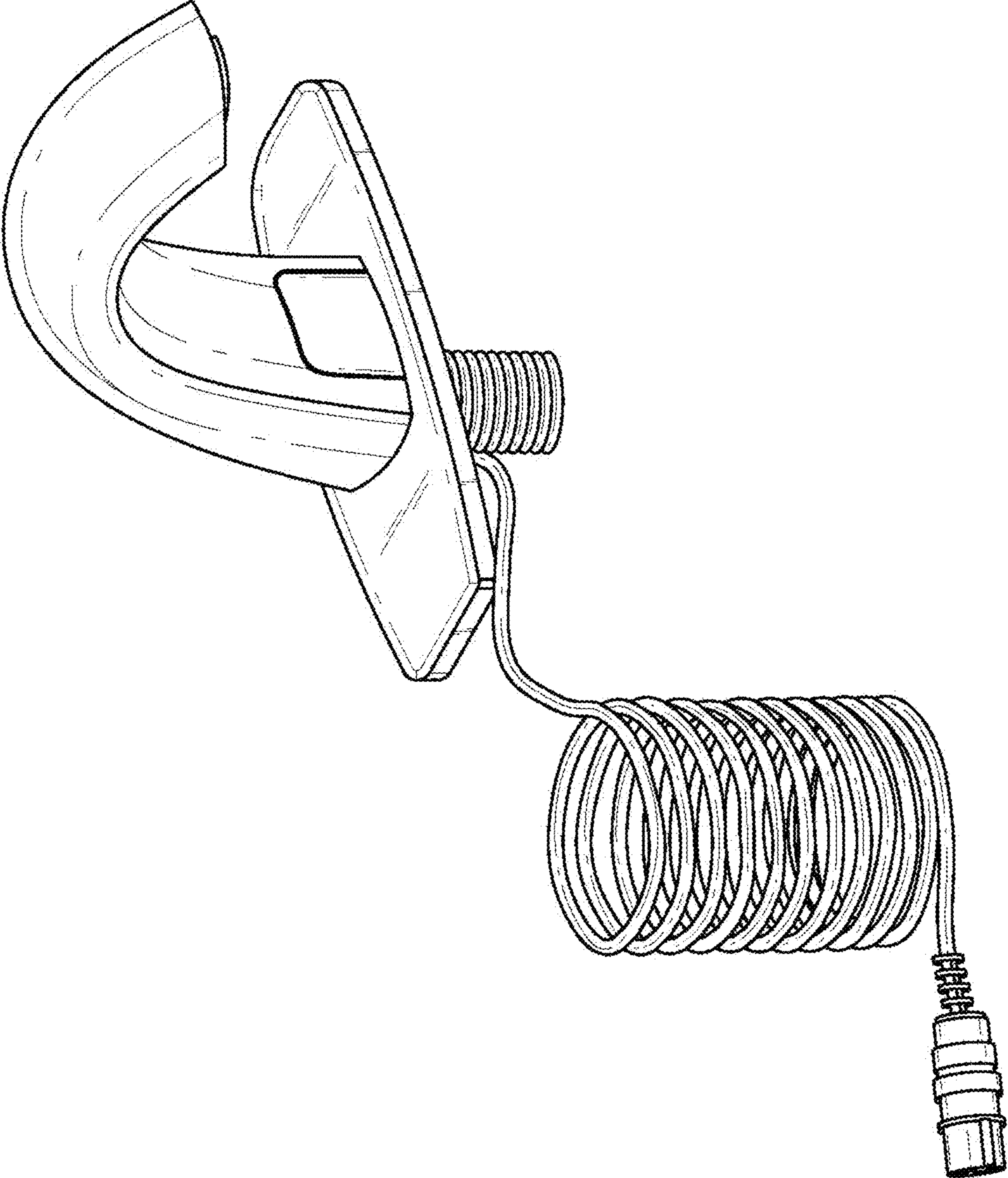


FIG. 1

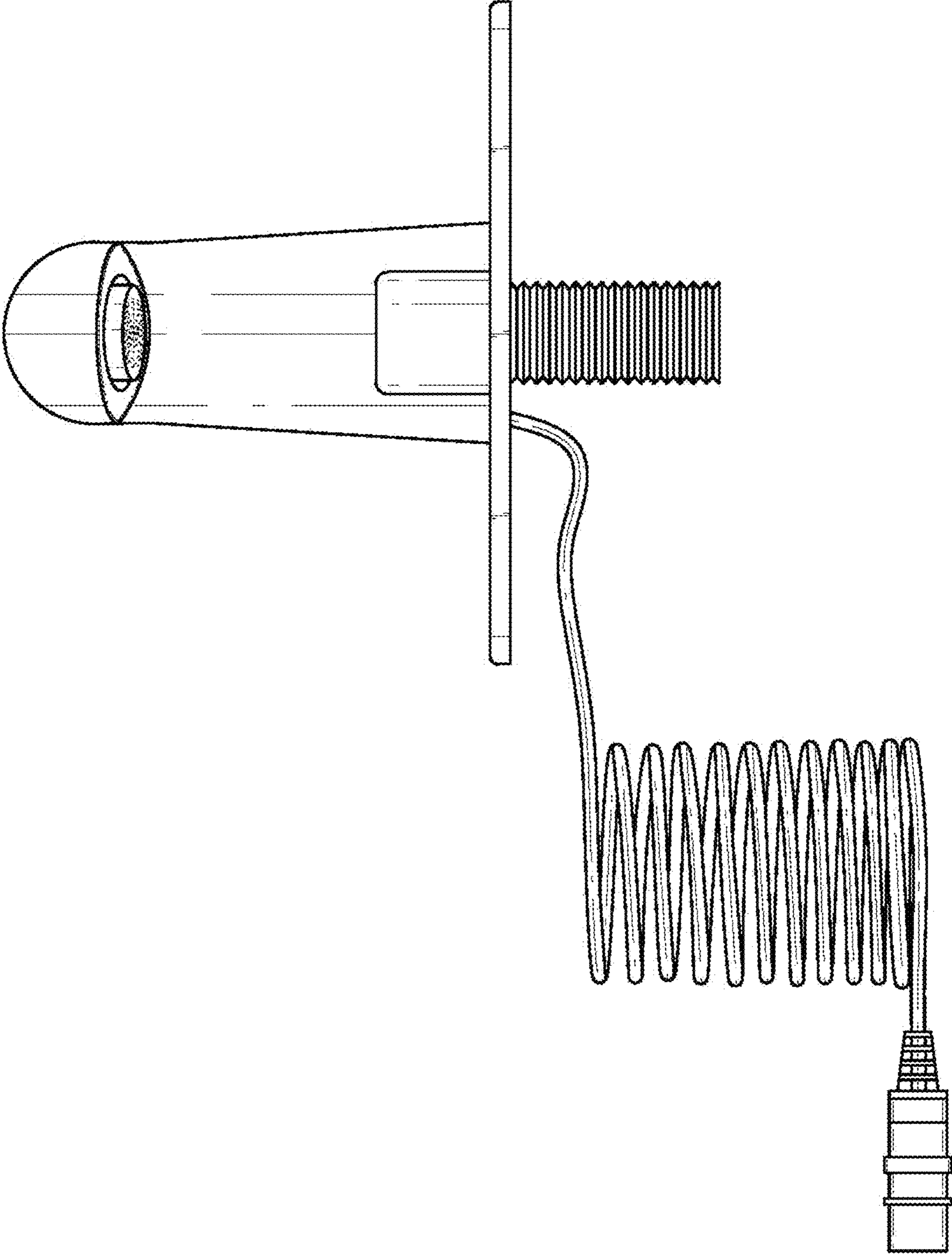


FIG. 2

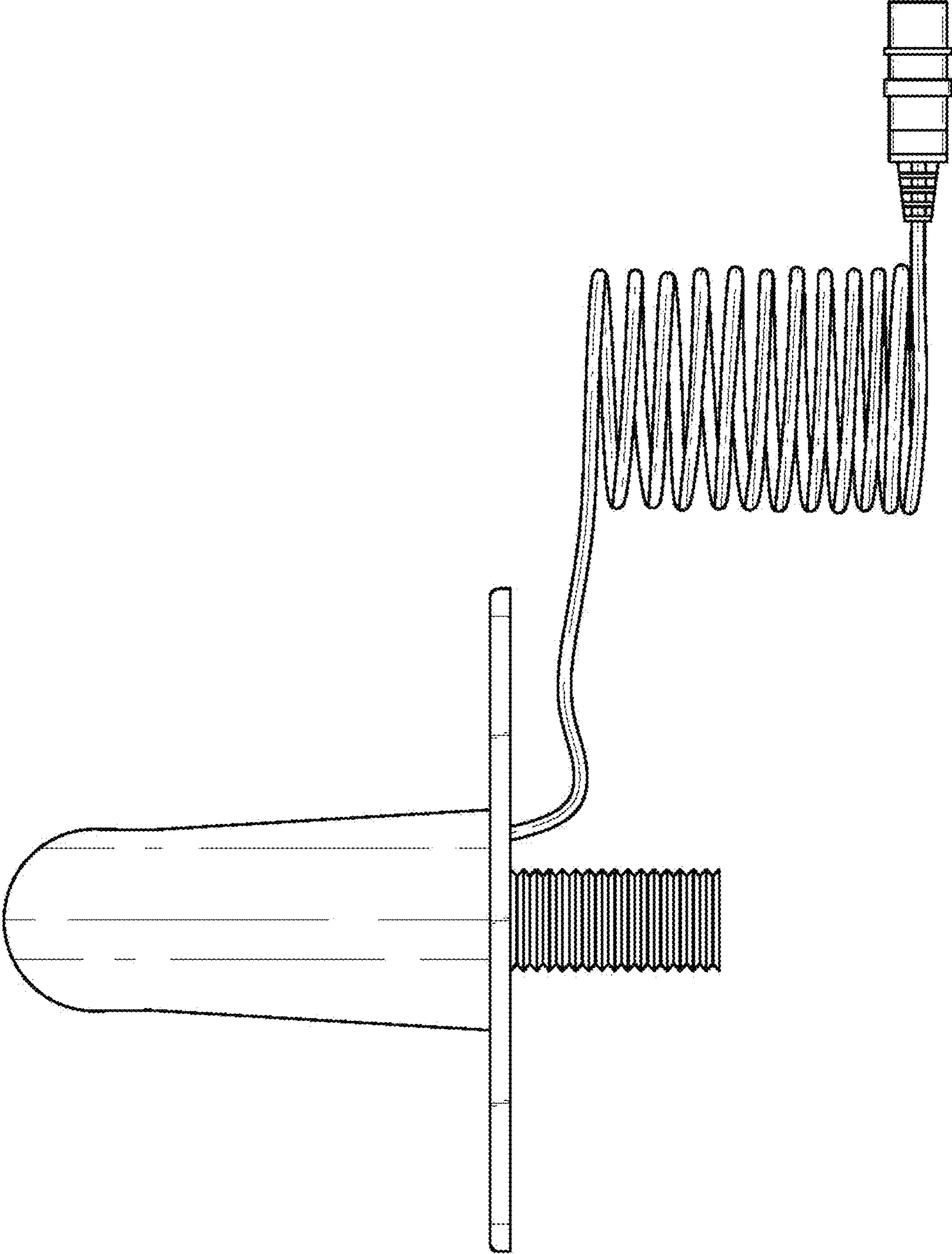


FIG. 3

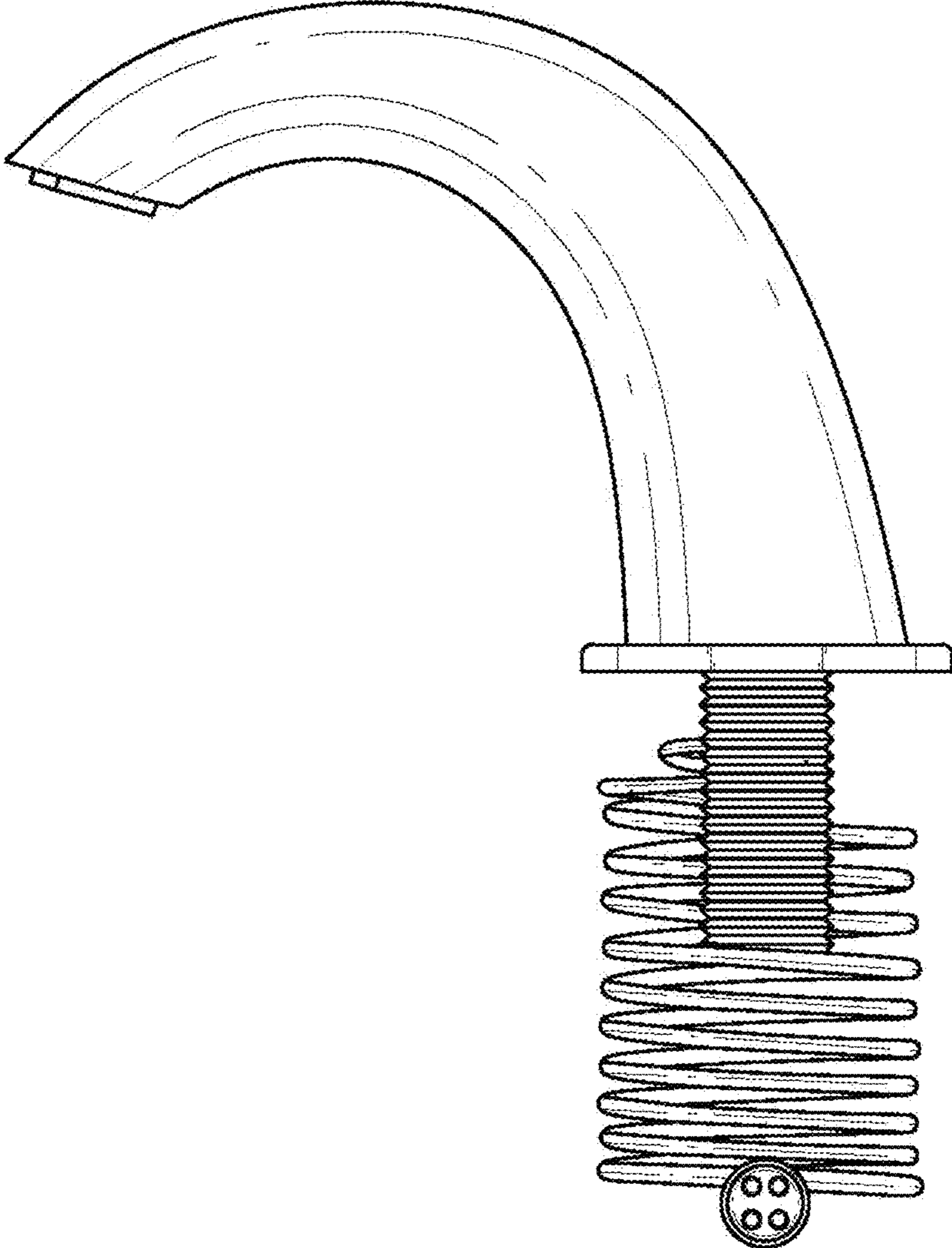


FIG. 4

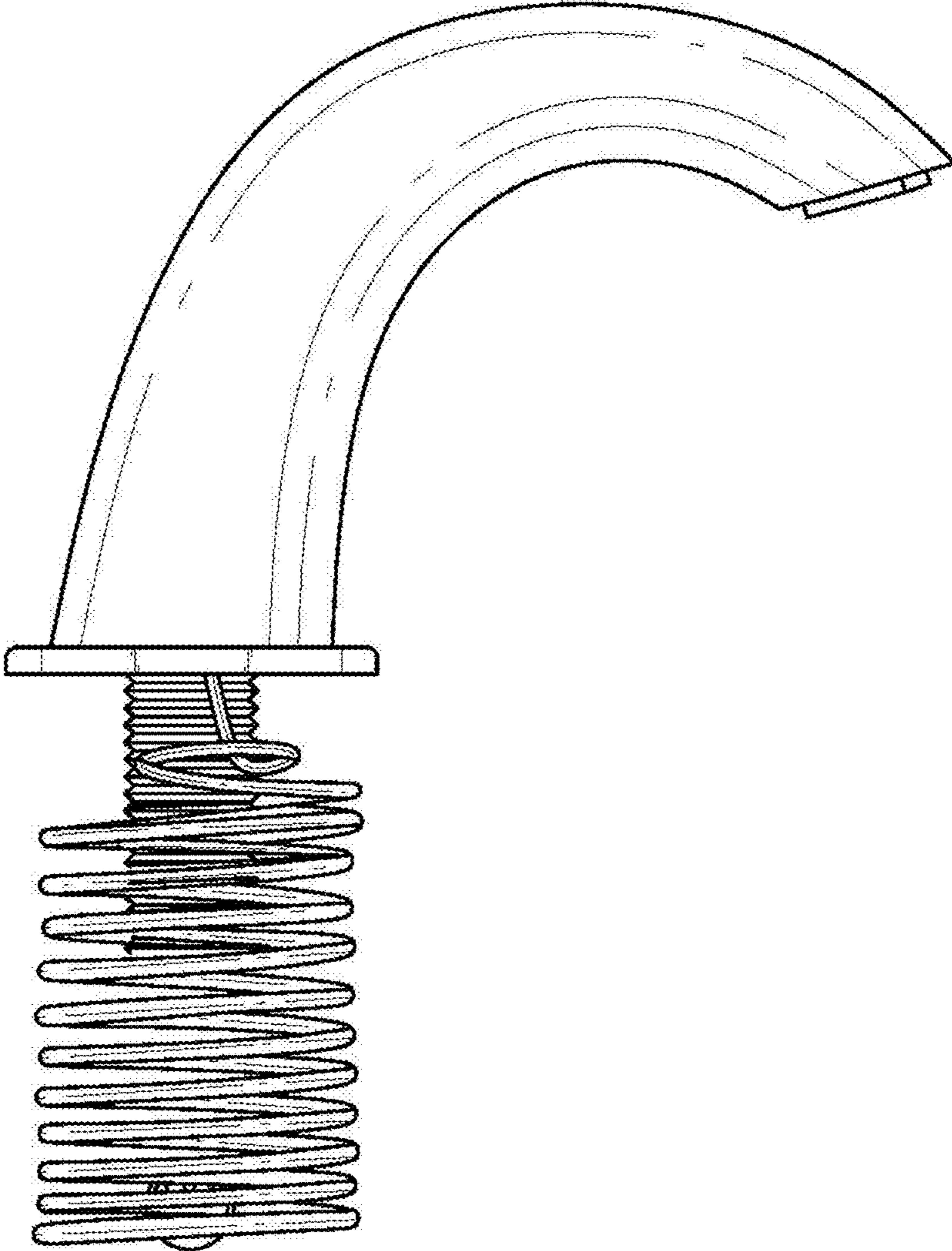


FIG. 5

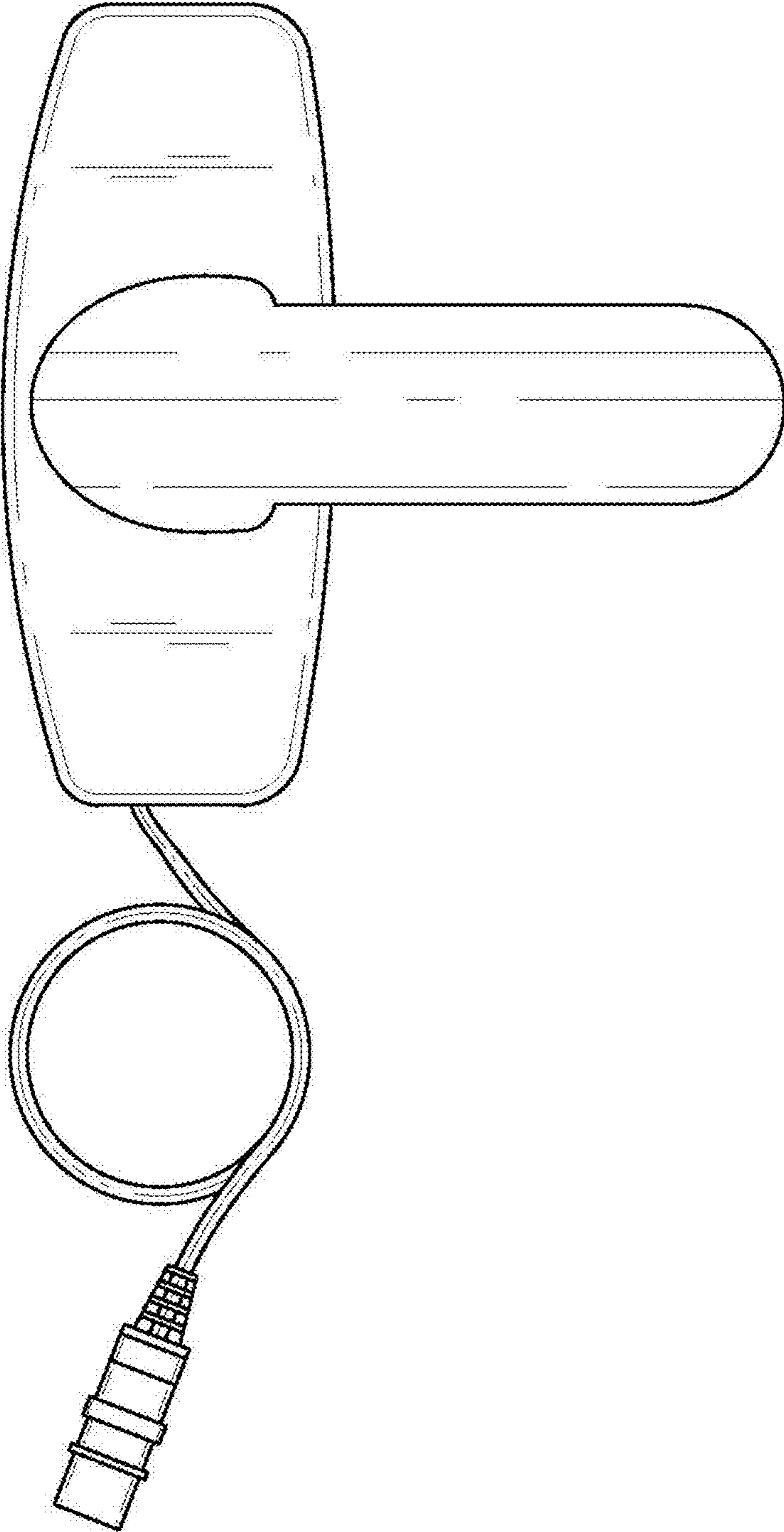


FIG. 6

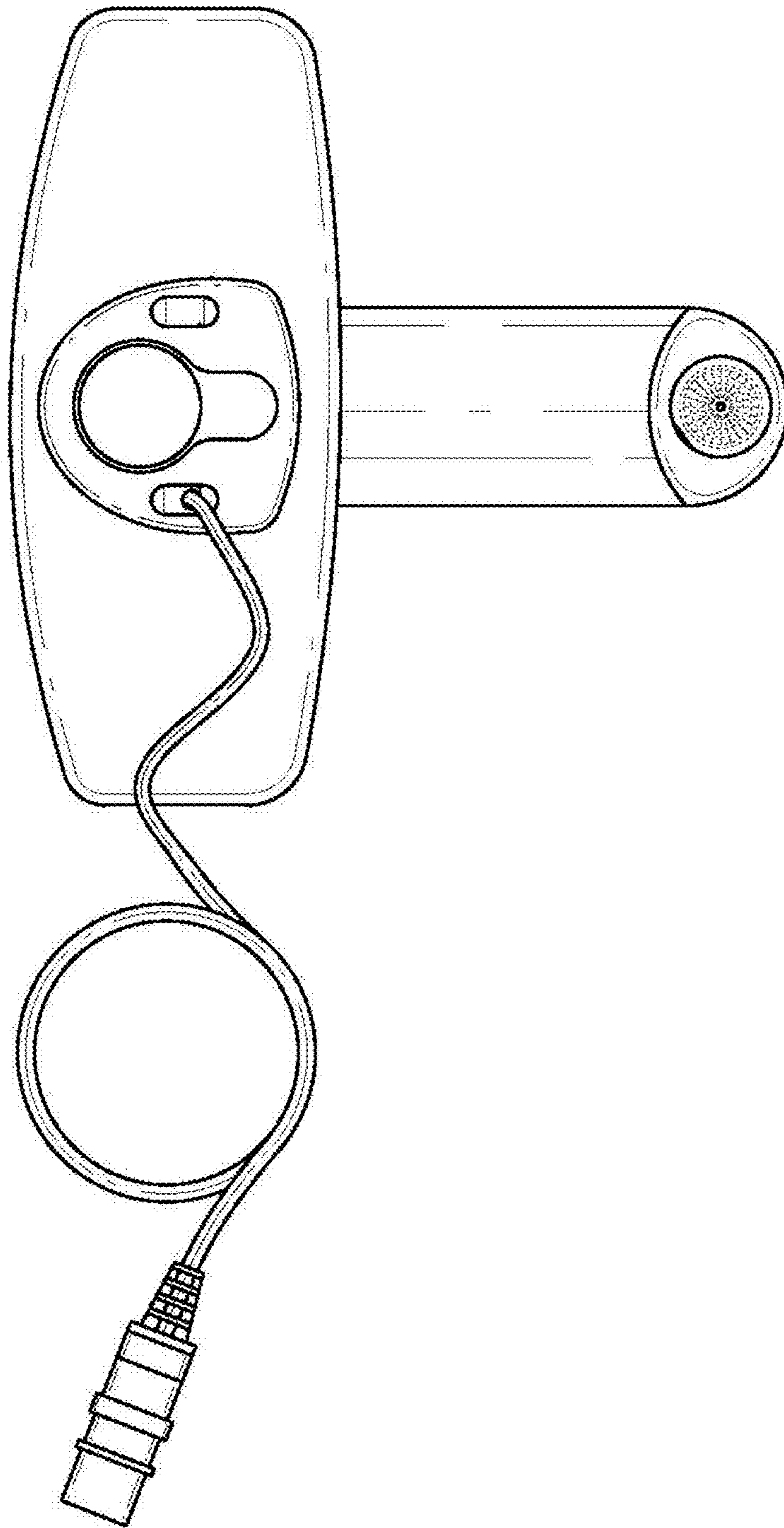


FIG. 7