



US00D908194S

(12) **United States Design Patent**
Rockwell

(10) **Patent No.:** **US D908,194 S**

(45) **Date of Patent:** **** Jan. 19, 2021**

(54) **FAUCET HANDLE**

(71) Applicant: **GESSI S.P.A.**, Serravalle Sesia (IT)

(72) Inventor: **David Rockwell**, New York, NY (US)

(73) Assignee: **GESSI S.P.A.**, Serravalle Sesia (IT)

(**) Term: **15 Years**

(21) Appl. No.: **29/699,416**

(22) Filed: **Jul. 25, 2019**

Related U.S. Application Data

(62) Division of application No. 35/504,869, filed on Nov. 17, 2017 (U.S. filing date under 35 U.S.C. 384), and having an international filing date of Nov. 17, 2017, now Pat. No. Des. 865,123.

(51) **LOC (13) Cl.** **15-03**

(52) **U.S. Cl.**
USPC **D23/252**

(58) **Field of Classification Search**

USPC D23/238-243, 249-257
CPC E03C 1/057; E03C 1/04; E03C 1/0408;
E03C 1/055; E03C 1/0401; E03C 1/0404;
E03C 1/0412; E03C 2001/026; E03C
2001/0415; E03C 2001/0418; E03C 1/01;
E03C 1/025; E03C 1/042; E03C 1/046;
E03C 1/08; E03C 1/084; E03C 1/14;
E03C 1/16; E03C 1/18; E03C 1/181;
E03C 1/186; E03C 1/2302; E03C 1/2306;
E03C 1/262; E03C 2001/005; E03C
2001/2317; E03C 2201/30; B67D 1/0406;
B67D 1/0004; B67D 1/0021; B67D
1/0075; B67D 1/0078; B67D 1/0081;
B67D 1/04; B67D 1/0412; B67D 1/06;
B67D 1/07; B67D 1/0868; B67D 1/0872;
B67D 1/0877; B67D 1/0888; B67D
1/0895; B67D 1/1245; B67D 2001/0098;

B67D 2001/082; B67D 2210/00031;
B67D 2210/00034; B67D 2210/00041;
B67D 2210/0016; B67D 3/0067; B67D
3/0083

See application file for complete search history.

(56) **References Cited**

U.S. PATENT DOCUMENTS

D787,640	S	*	5/2017	Kirar	D23/252
D863,509	S	*	10/2019	Rockwell	D23/242
D863,511	S	*	10/2019	Meyers	D23/254
D865,123	S	*	10/2019	Rockwell	D23/238
D879,253	S	*	3/2020	Lazarini	D23/252
D882,736	S	*	4/2020	Eads	D23/252
D886,242	S	*	6/2020	Eads	D23/252
D888,201	S	*	6/2020	Eads	D23/252
D893,679	S	*	8/2020	Park	D23/252

* cited by examiner

Primary Examiner — Khawaja Anwar

(74) *Attorney, Agent, or Firm* — Underwood & Associates, LLC

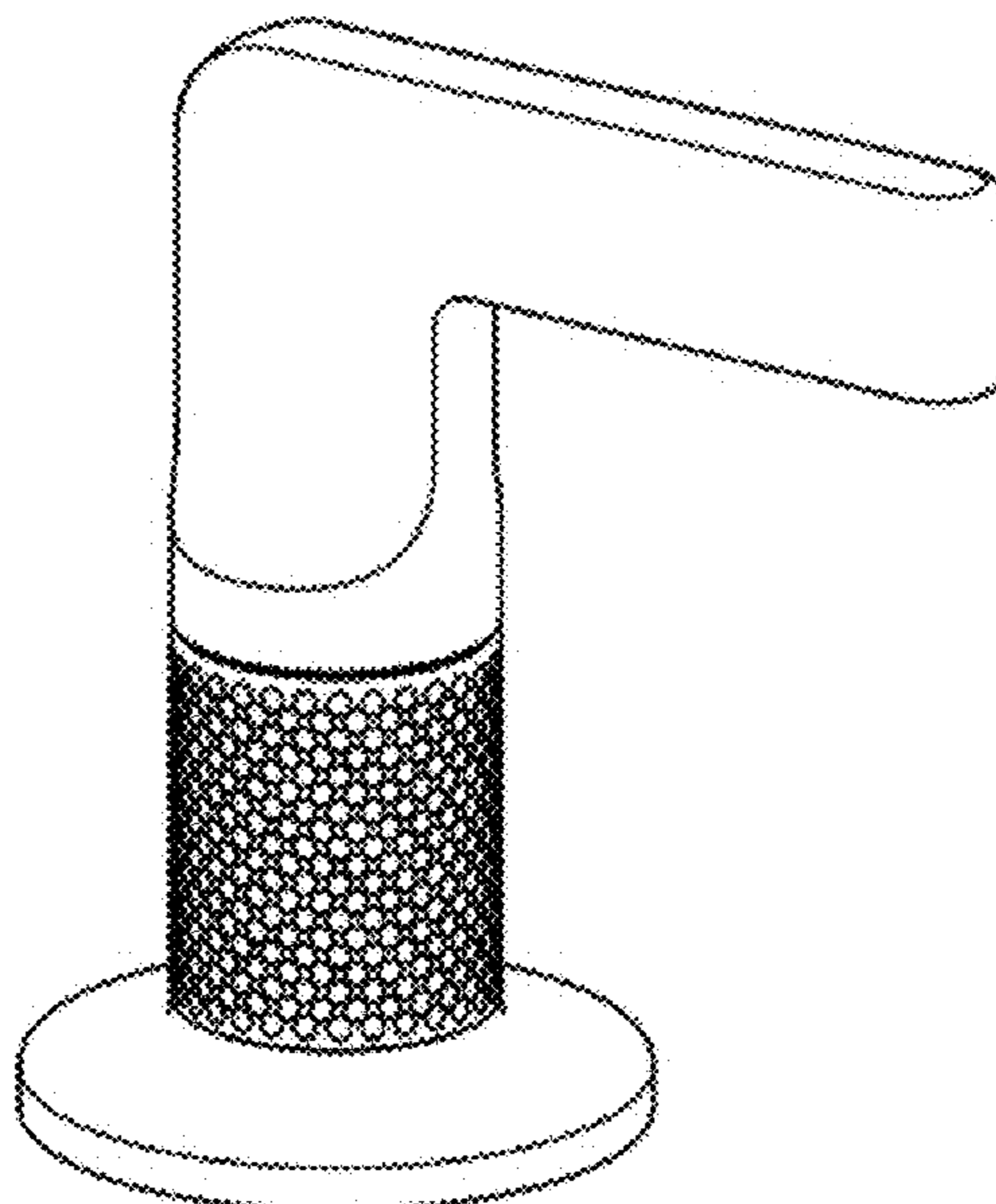
(57) **CLAIM**

The ornamental design for a faucet handle, as shown and described.

DESCRIPTION

FIG. 1 is a perspective view of a faucet handle showing my new design;
FIG. 2 is a top plan view thereof;
FIG. 3 is a bottom plan view thereof;
FIG. 4 is a rear elevation view thereof;
FIG. 5 is a right-side elevation view thereof; and,
FIG. 6 is a rear elevation view thereof.
The left-side elevation view of the faucet handle is identical to the right-side elevation view as shown in FIG. 5.

1 Claim, 2 Drawing Sheets



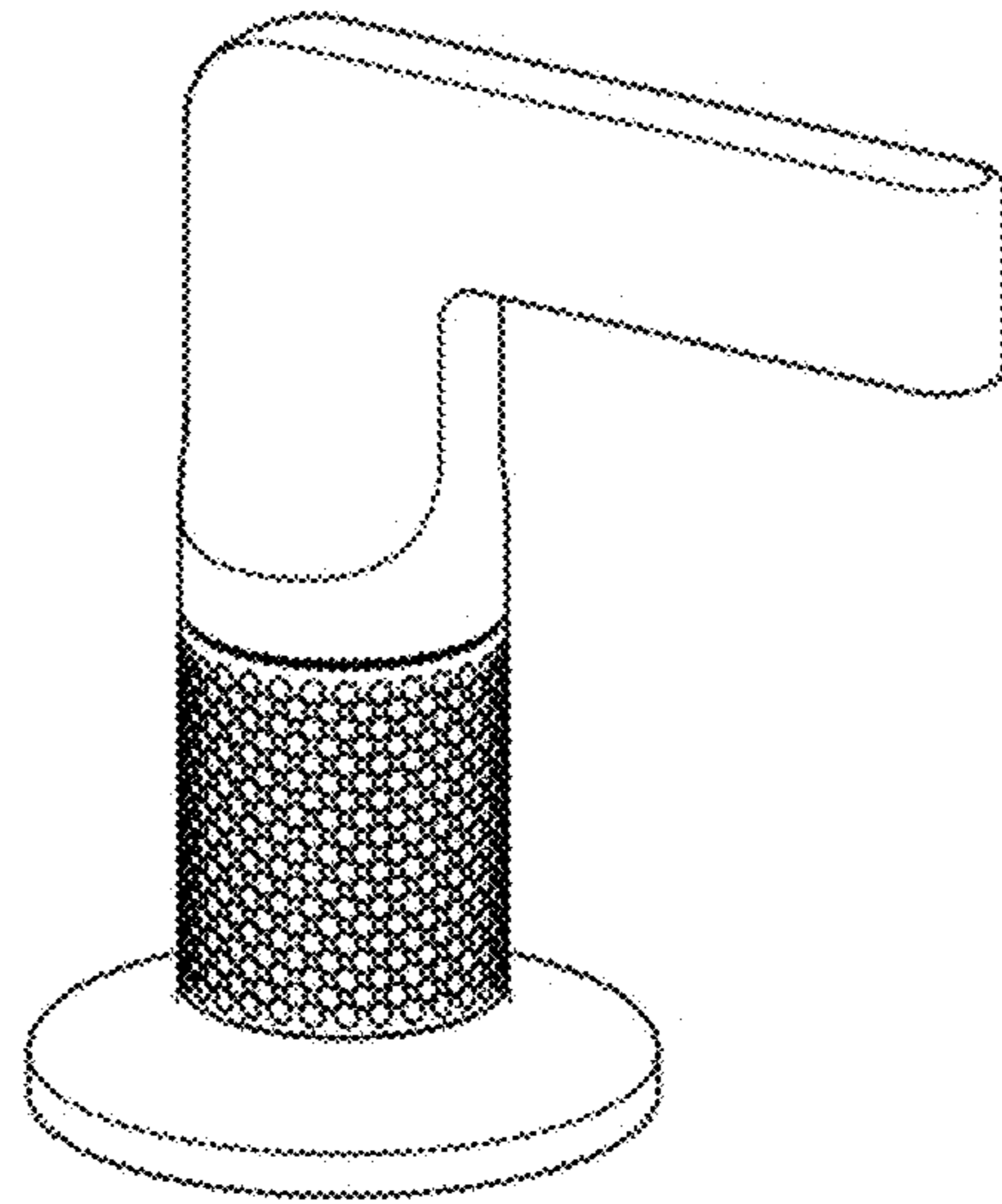


FIG. 1

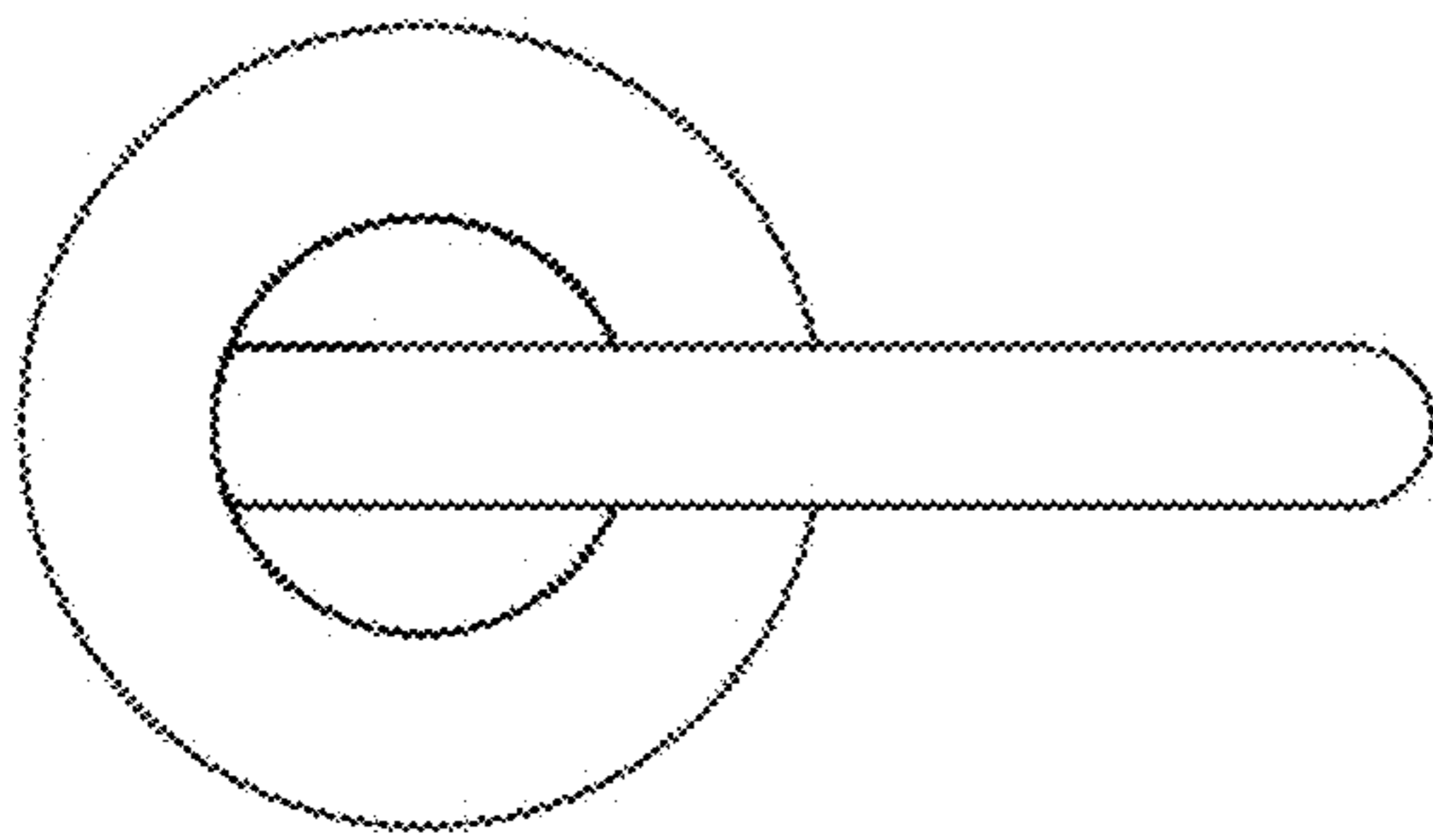


FIG. 2

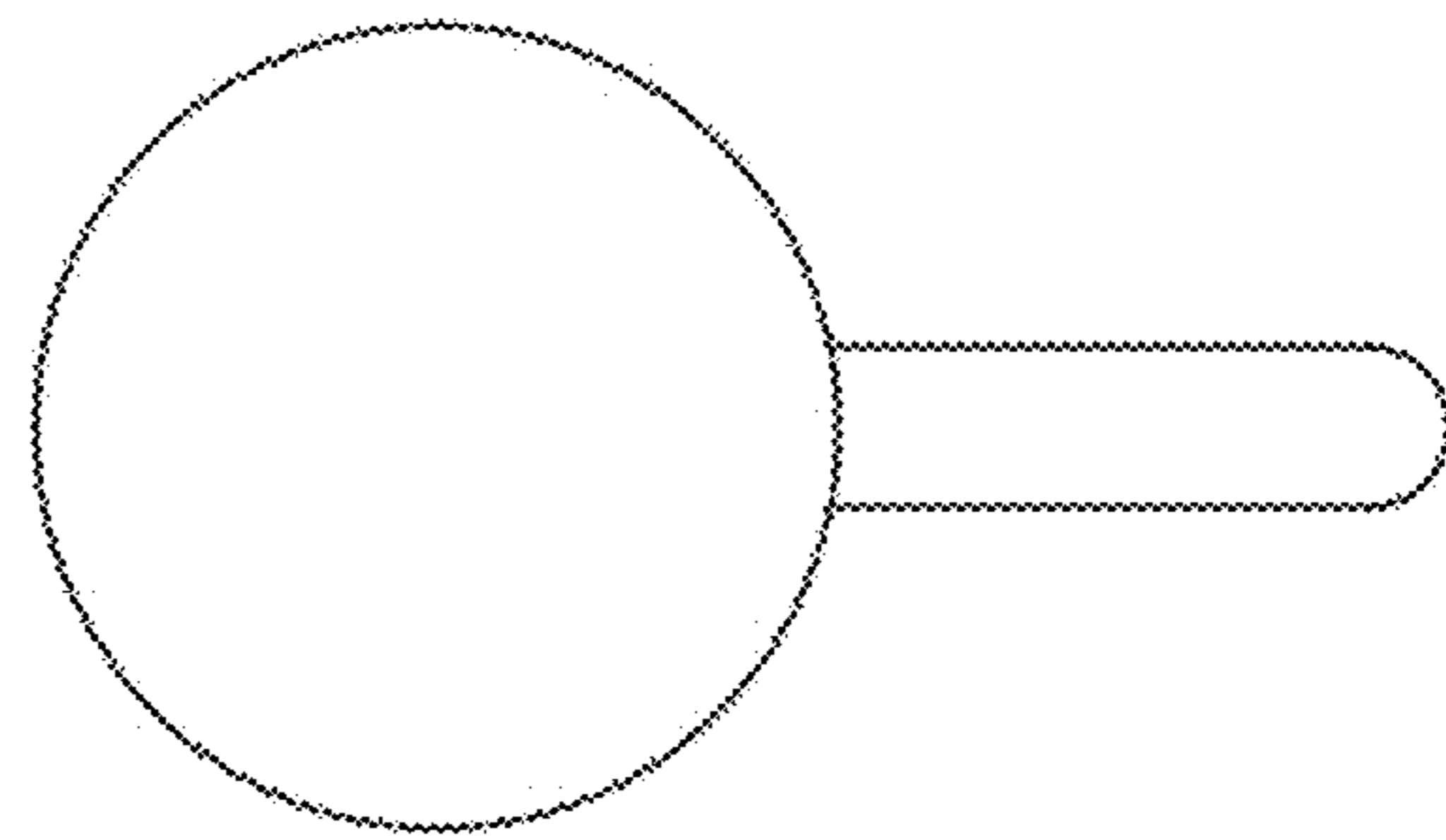


FIG. 3

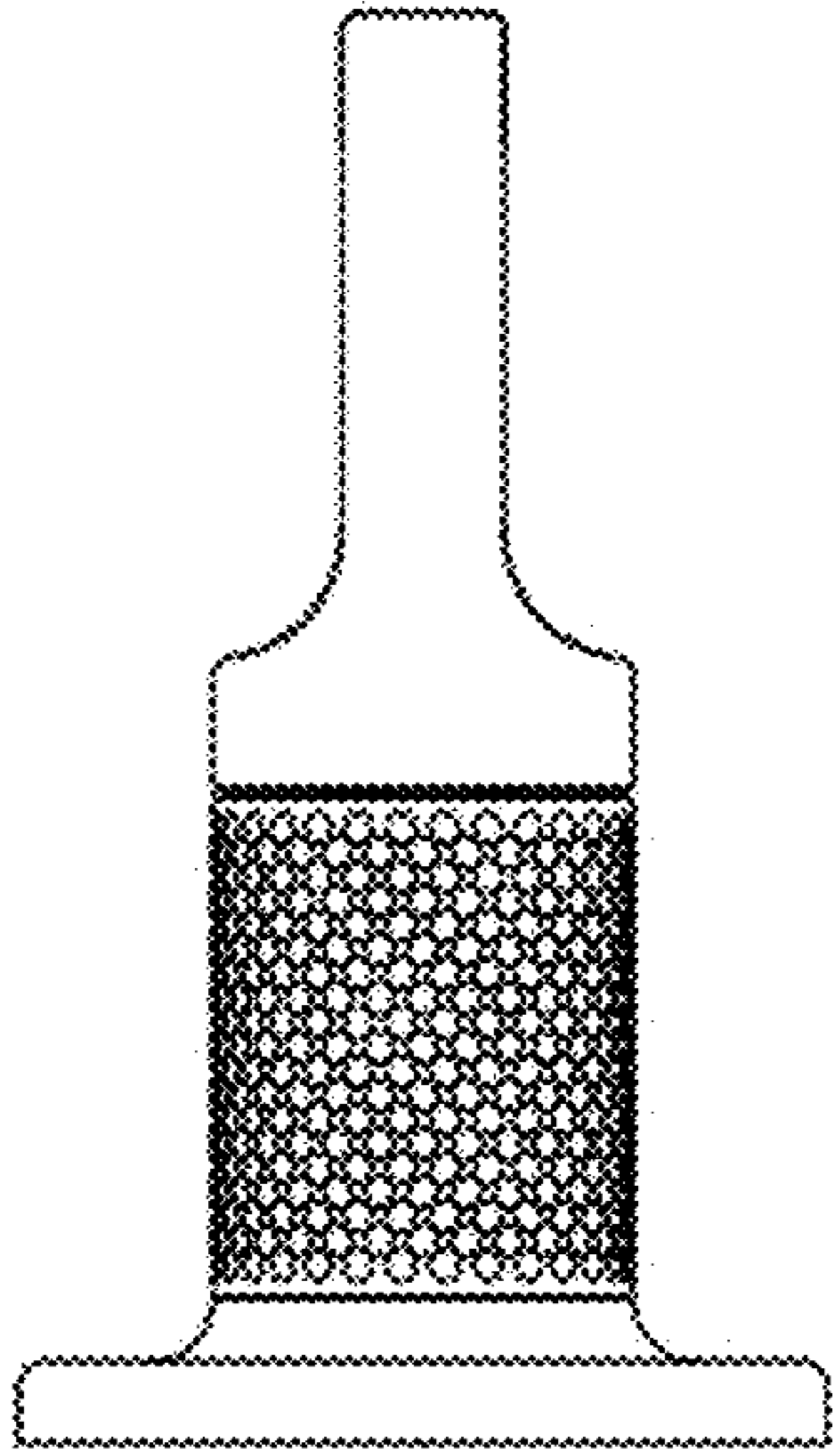


FIG. 4

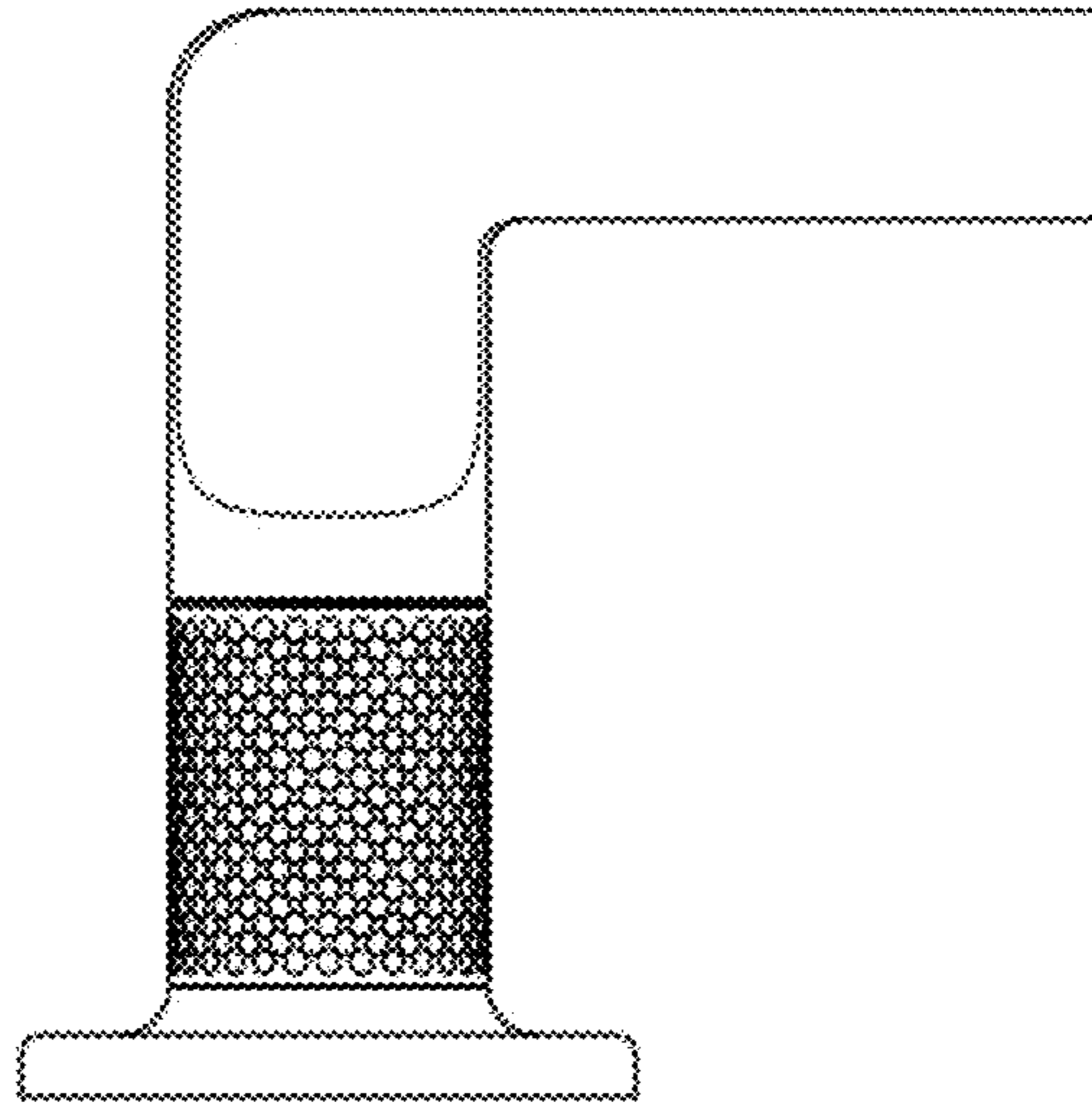


FIG. 5

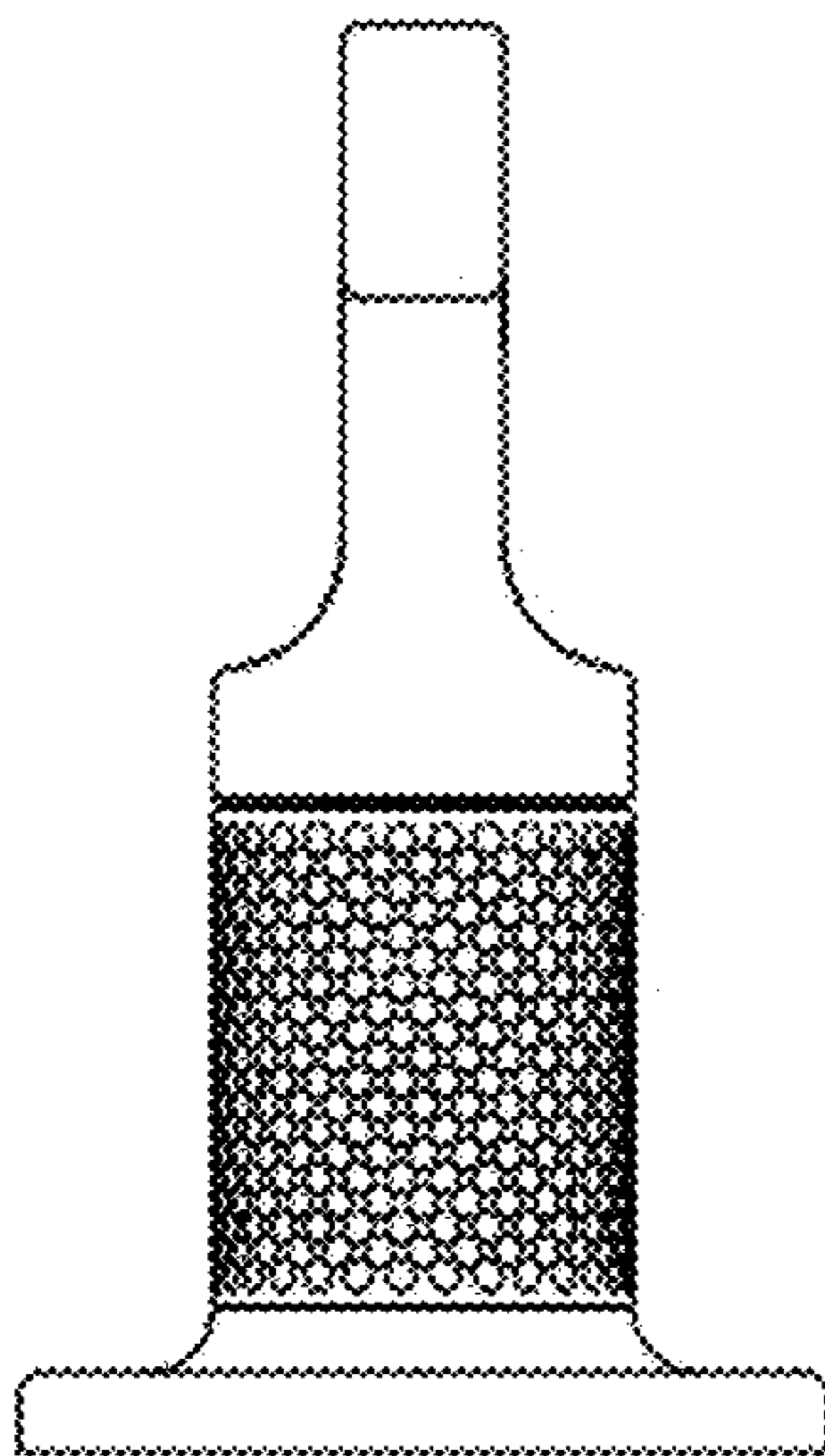


FIG. 6