



US00D908193S

(12) **United States Design Patent**
Rockwell

(10) **Patent No.:** **US D908,193 S**
(45) **Date of Patent:** **** Jan. 19, 2021**

(54) **MIXER TAP**

(71) Applicant: **GESSI S.P.A.**, Serravalle Sesia (IT)

(72) Inventor: **David Rockwell**, New York, NY (US)

(73) Assignee: **GESSI S.P.A.**, Serravalle Sesia (IT)

(**) Term: **15 Years**

(21) Appl. No.: **29/699,422**

(22) Filed: **Jul. 25, 2019**

Related U.S. Application Data

(62) Division of application No. 35/504,869, filed on Nov. 17, 2017 (U.S. filing date under 35 U.S.C. 384), and having an international filing date of Nov. 17, 2017, now Pat. No. Des. 865,123.

(51) **LOC (13) Cl.** **15-03**

(52) **U.S. Cl.**
USPC **D23/238**

(58) **Field of Classification Search**

USPC D23/238-243, 249-257
CPC E03C 1/057; E03C 1/04; E03C 1/0408;
E03C 1/055; E03C 1/0401; E03C 1/0404;
E03C 1/0412; E03C 2001/026; E03C
2001/0415; E03C 2001/0418; E03C 1/01;
E03C 1/025; E03C 1/042; E03C 1/046;
E03C 1/08; E03C 1/084; E03C 1/12;
E03C 1/14; E03C 1/16; E03C 1/18; E03C
1/181; E03C 1/186; E03C 1/2302; E03C
1/2306; E03C 1/262; E03C 2001/005;
E03C 2001/2317; E03C 2201/30; B67D
1/0406; B67D 1/0004; B67D 1/0021;
B67D 1/0075; B67D 1/0078; B67D
1/0081; B67D 1/04; B67D 1/0412; B67D
1/06; B67D 1/07; B67D 1/0868; B67D
1/0872; B67D 1/0877; B67D 1/0888;

B67D 1/0895; B67D 1/1245; B67D
2001/0098; B67D 2001/082; B67D
2210/00031; B67D 2210/00034; B67D
2210/00041; B67D 2210/0016; B67D
3/0067; B67D 3/0083

See application file for complete search history.

(56) **References Cited**

U.S. PATENT DOCUMENTS

D636,062	S	*	4/2011	Rubin	D23/238
D846,701	S	*	4/2019	Liu	D23/238
D865,123	S	*	10/2019	Rockwell	D23/238
D873,964	S	*	1/2020	Soulier	D23/238
D892,273	S	*	8/2020	Rummel	D23/238
D900,968	S	*	11/2020	Garland	D23/238
D900,969	S	*	11/2020	Takahashi	D23/238
D900,970	S	*	11/2020	Takahashi	D23/238
D900,971	S	*	11/2020	Takahashi	D23/238
D903,823	S	*	12/2020	Potter	D23/238

* cited by examiner

Primary Examiner — Khawaja Anwar

(74) *Attorney, Agent, or Firm* — Underwood & Associates, LLC

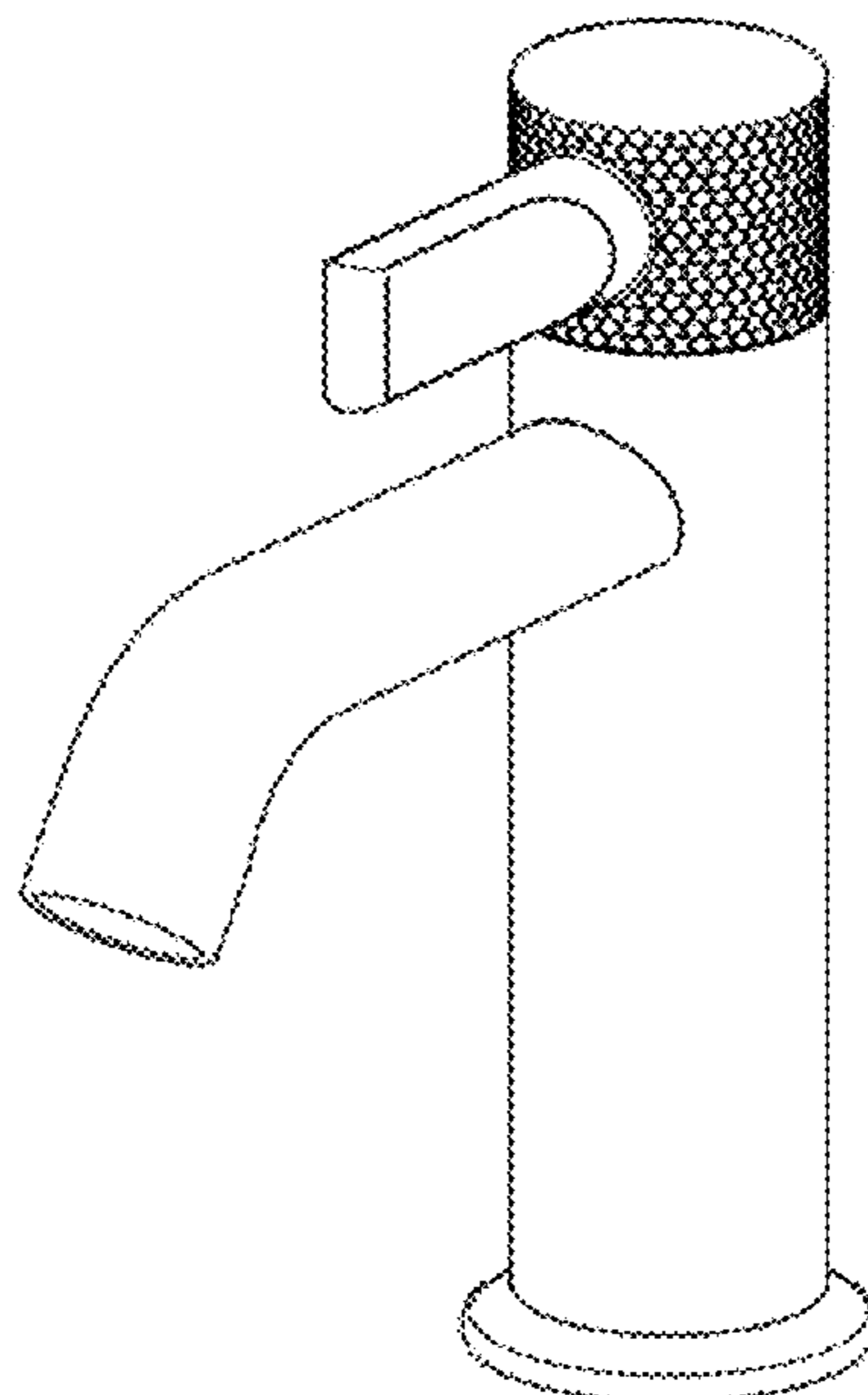
(57) **CLAIM**

The ornamental design for a mixer tap, as shown and described.

DESCRIPTION

FIG. 1 is a perspective view of a mixer tap showing my new design;
FIG. 2 is a right elevation view thereof;
FIG. 3 is a front elevation view thereof;
FIG. 4 is a left elevation view thereof;
FIG. 5 is a top plan view thereof; and,
FIG. 6 is a bottom plan view thereof.

1 Claim, 2 Drawing Sheets



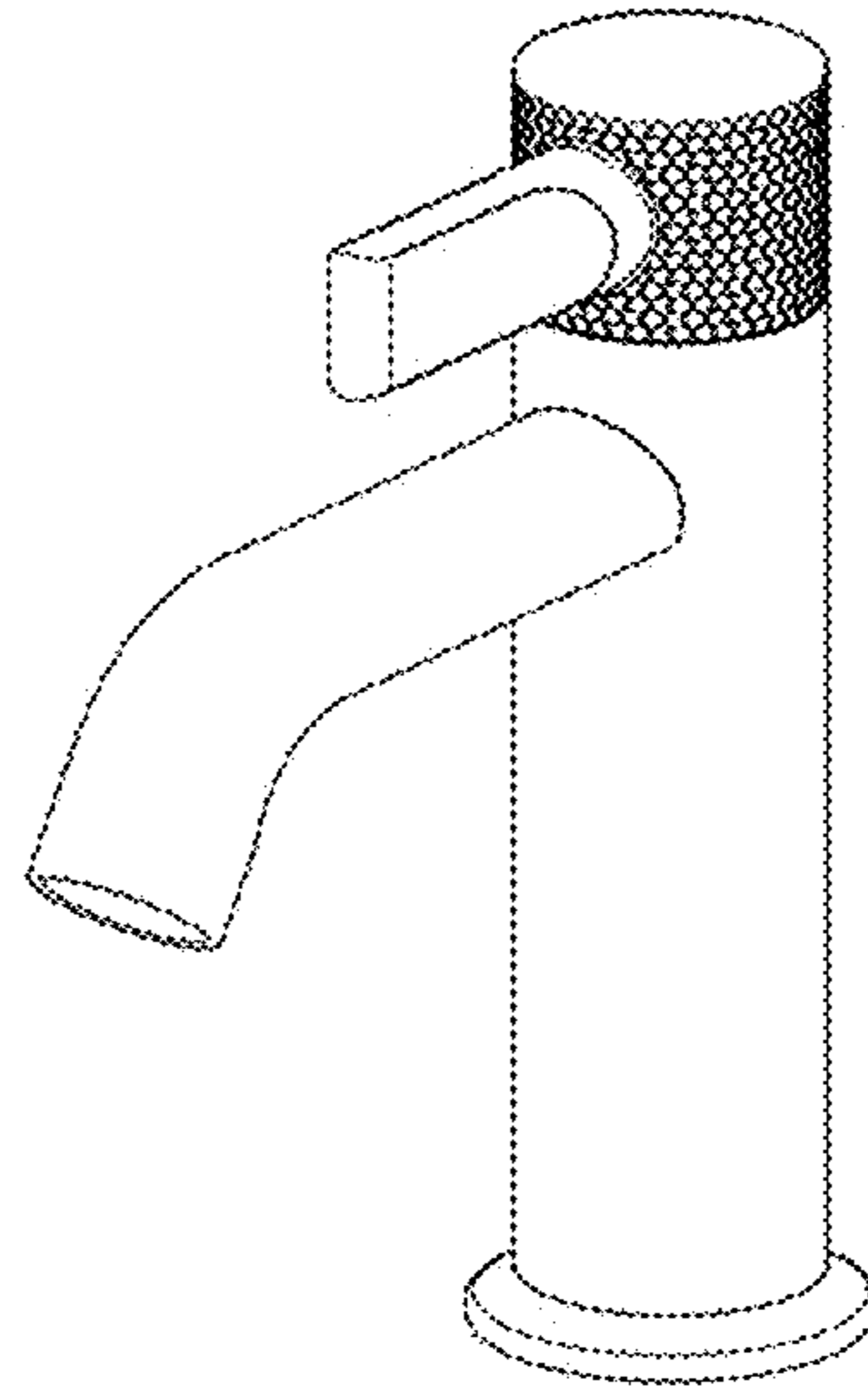


FIG. 1

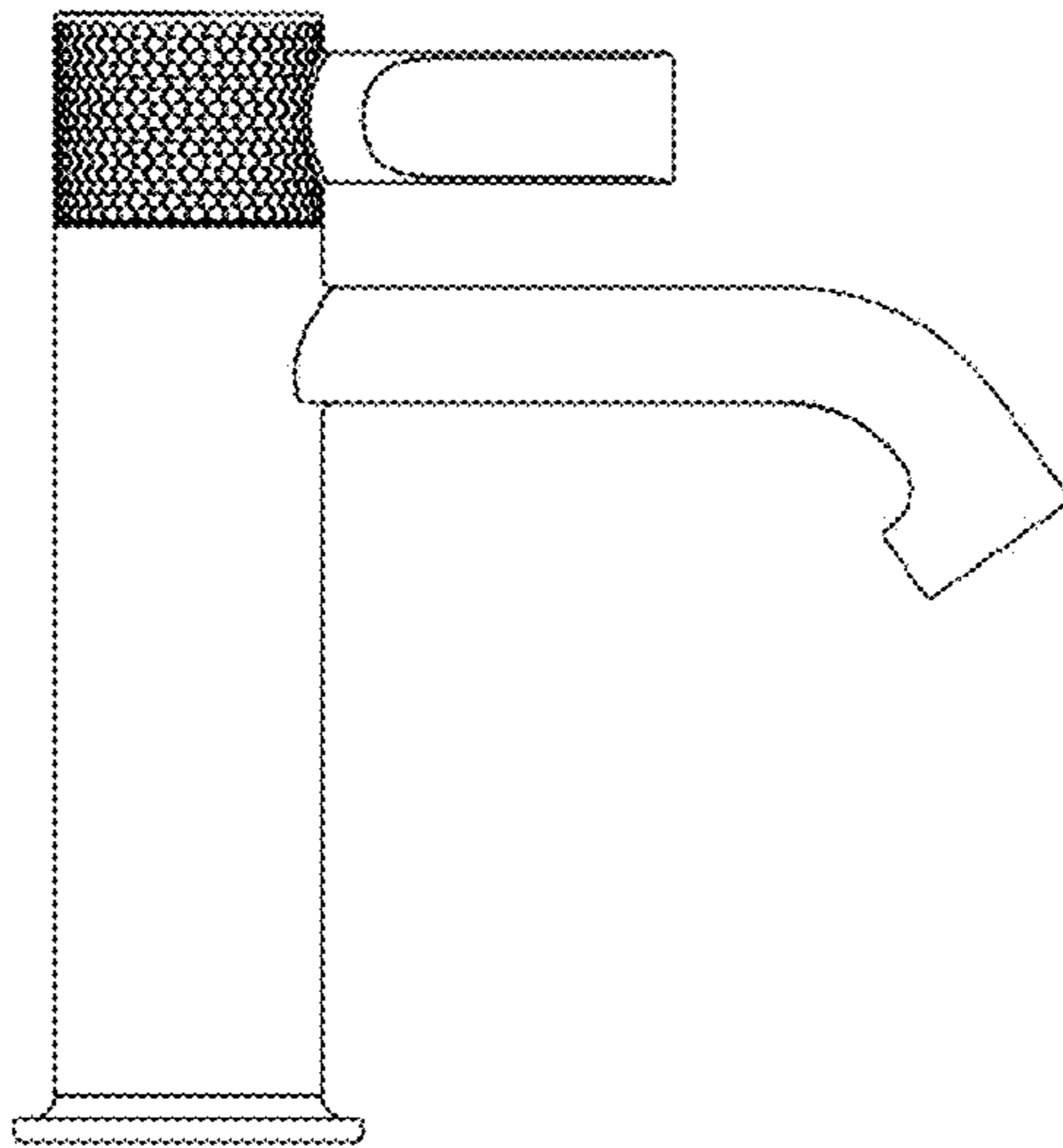


FIG. 2

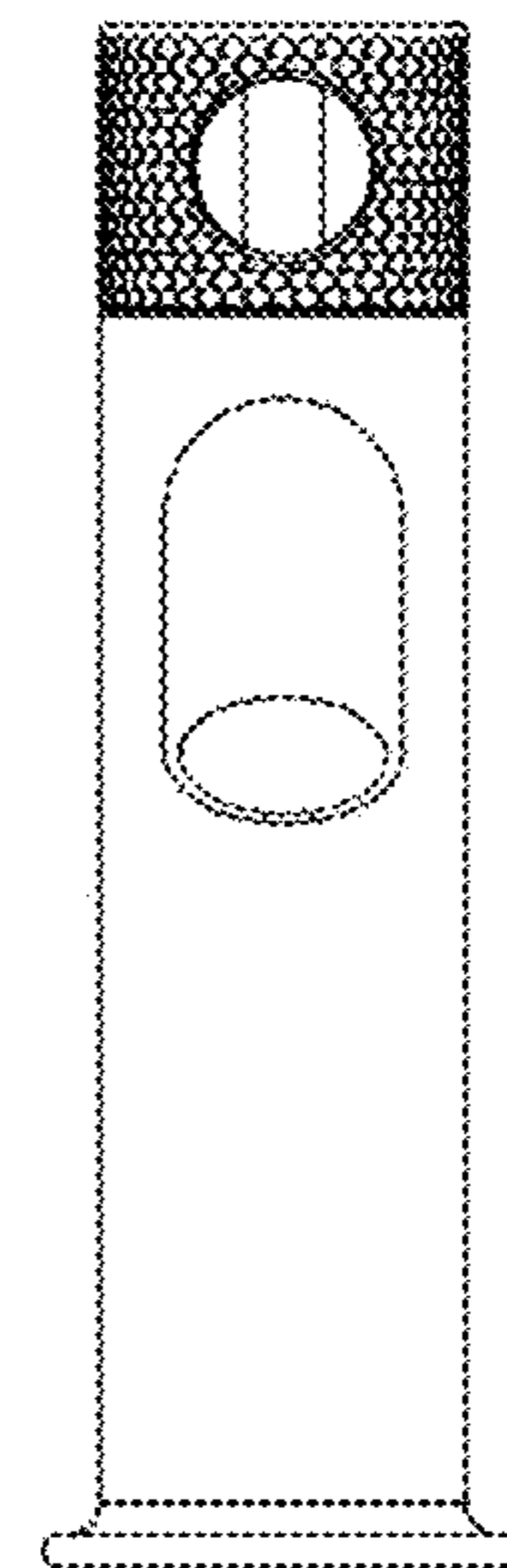


FIG. 3

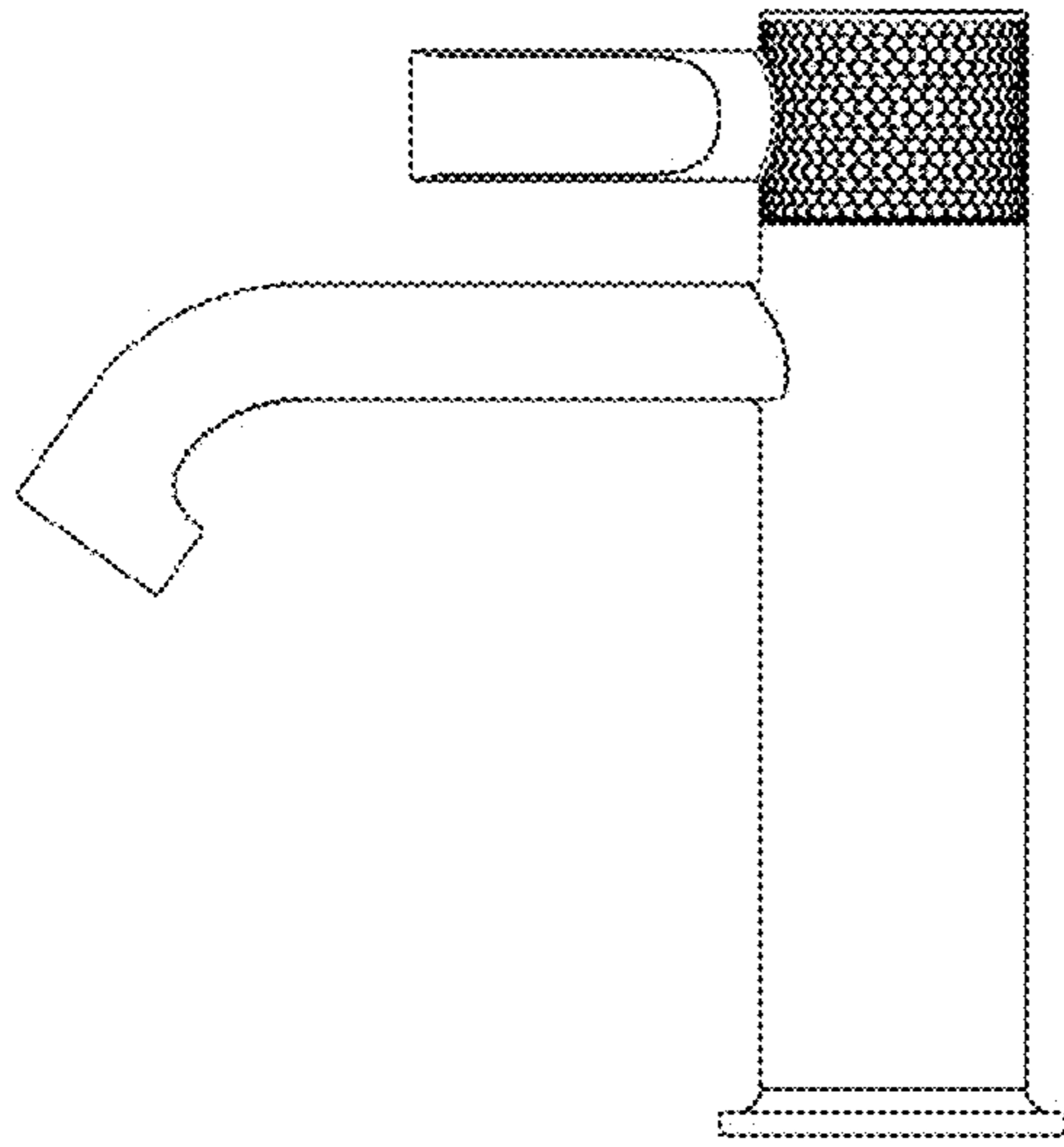


FIG. 4

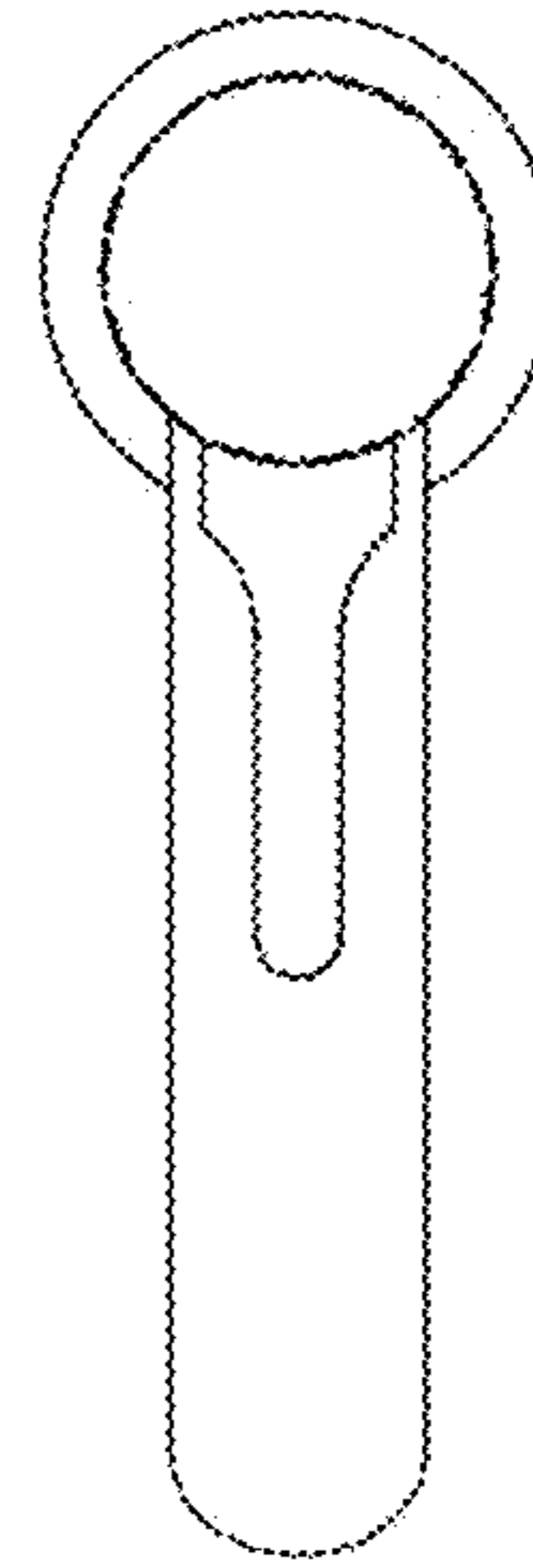


FIG. 5

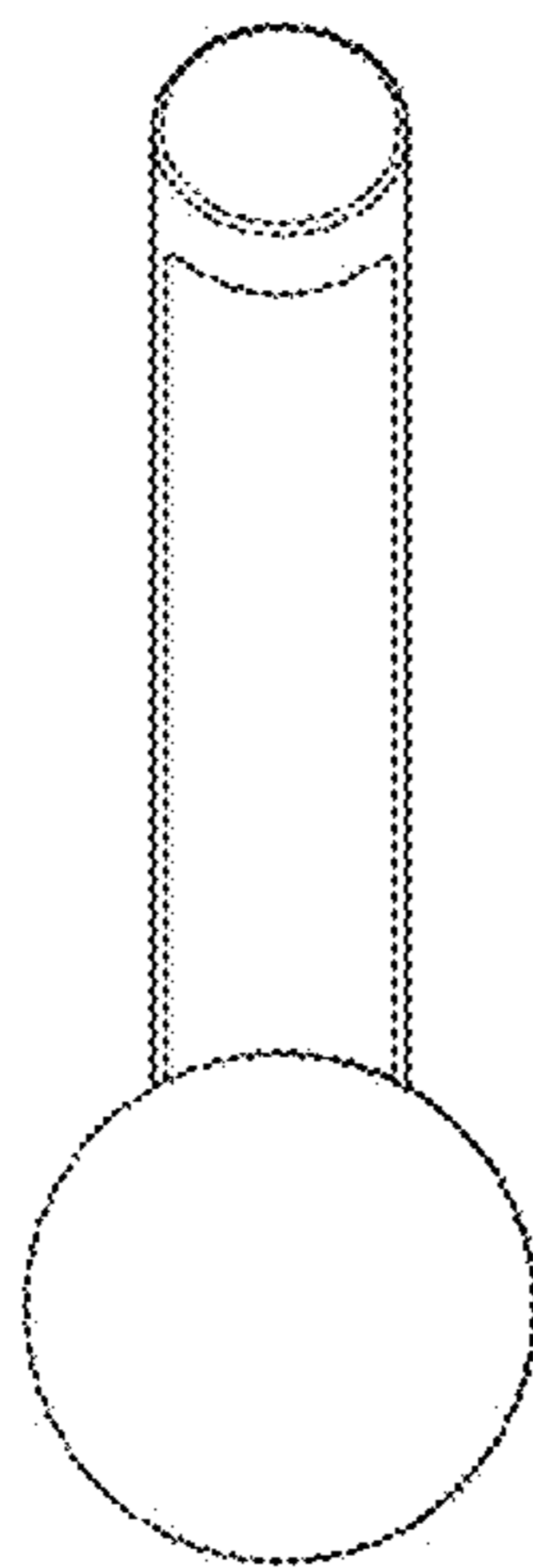


FIG. 6