



US00D908189S

(12) **United States Design Patent** (10) **Patent No.:** **US D908,189 S**
Shin (45) **Date of Patent:** **** Jan. 19, 2021**

(54) **WATER SOFTENER**

(71) Applicant: **WOONGJIN COWAY CO., LTD.**,
Choongcheongnam-do (KR)

(72) Inventor: **Karam Shin**, Seoul (KR)

(73) Assignee: **Woongjin Coway Co., Ltd.**,
Choongcheongnam-do (KR)

(**) Term: **15 Years**

(21) Appl. No.: **29/694,620**

(22) Filed: **Jun. 12, 2019**

(30) **Foreign Application Priority Data**

Dec. 20, 2018 (KR) 30-2018-0060421

(51) **LOC (13) Cl.** **23-01**

(52) **U.S. Cl.**
USPC **D23/213**

(58) **Field of Classification Search**
USPC D23/213, 214, 215, 223, 224, 226, 229,
D23/230

CPC A61H 9/0021; A61H 33/00; B05B 1/00;
B05B 1/14; B05B 1/185; B05B 1/08;
B05B 1/02; B05B 1/26; B05B 12/002;
B05B 1/18; B05B 9/01

See application file for complete search history.

(56) **References Cited**

U.S. PATENT DOCUMENTS

D487,498 S * 3/2004 Blomstrom D23/213
D508,730 S * 8/2005 Blomstrom D23/229
D524,412 S * 7/2006 Blomstrom D23/229
D680,619 S * 4/2013 Zhadanov D23/223
D681,776 S * 5/2013 Cutler D23/223
D694,357 S * 11/2013 Brodey D23/213
D694,359 S * 11/2013 Schoenherr D23/213
D707,330 S * 6/2014 Schoenherr D23/223
D713,004 S * 9/2014 Schoenherr D23/223
D713,496 S * 9/2014 Schoenherr D23/213

D718,418 S * 11/2014 Georgeson D23/213
D730,493 S * 5/2015 Sehl D23/261
D733,258 S * 6/2015 Sandee D23/223
D737,931 S * 9/2015 Schoenherr D23/223
D737,932 S * 9/2015 Nikles D23/223
D743,507 S * 11/2015 Georgeson D23/252
D746,955 S * 1/2016 Corder D23/261
D752,711 S * 3/2016 Georgeson D23/213
9,387,495 B2 * 7/2016 Schumacher B05B 1/30
D778,404 S * 2/2017 Schoenherr D23/223
D779,038 S * 2/2017 Hanna D23/223
D779,039 S * 2/2017 Hanna D23/223
D801,475 S * 10/2017 Naslund D23/213

(Continued)

OTHER PUBLICATIONS

https://www.amazon.com/XZST-Bathroom-Multi-Function-Rainfall-Adjustable/dp/B07BTY6Y46/ref=sr_1_28?dchild=1&keywords=shower+system&qid=1587764514&sr=8-28 (Year: 2018).*

Primary Examiner — Manpreet S Matharu

Assistant Examiner — Keith J Wilson

(74) *Attorney, Agent, or Firm* — Millen, White, Zelano & Branigan, P.C.; William Nixon

(57) **CLAIM**

The ornamental design for a water softener, as shown and described.

DESCRIPTION

FIG. 1 illustrates a front perspective view of the water softener showing my new design;

FIG. 2 illustrates a front elevational view thereof;

FIG. 3 illustrates a rear elevational view thereof;

FIG. 4 illustrates a left side elevational view thereof;

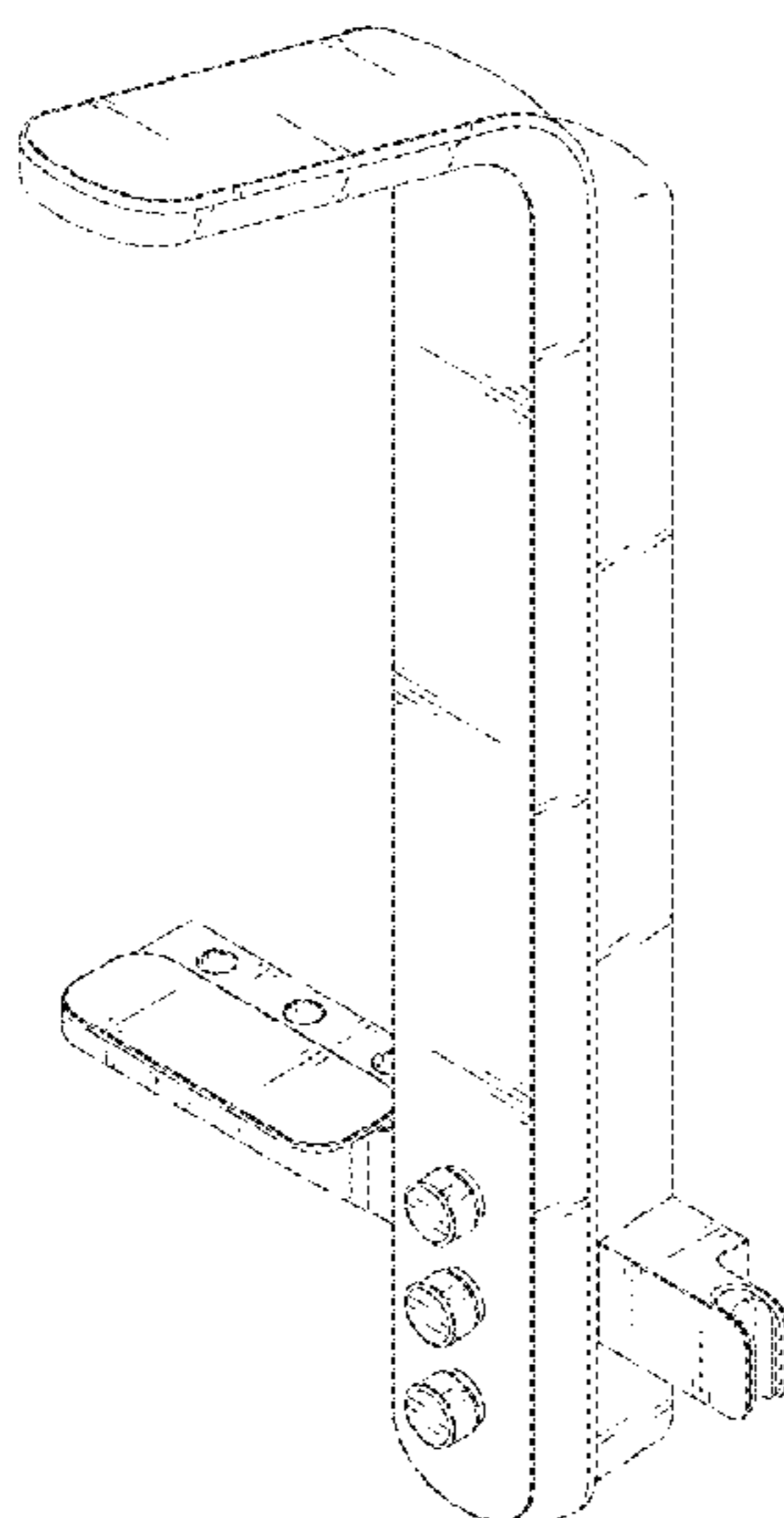
FIG. 5 illustrates a right side elevational view thereof;

FIG. 6 illustrates a top plan view thereof; and,

FIG. 7 illustrates a bottom plan view thereof.

The broken lines shown represent unclaimed portions of the water softener and form no part of the claimed design.

1 Claim, 7 Drawing Sheets



(56)

References Cited

U.S. PATENT DOCUMENTS

D803,350	S	*	11/2017	Tian	D23/213
D808,499	S	*	1/2018	Naslund	D23/213
D809,094	S	*	1/2018	Naslund	D23/213
D810,233	S	*	2/2018	Winter	D23/213
D810,861	S	*	2/2018	Weaver	D23/213
D811,524	S	*	2/2018	Bossini	D23/223
D820,388	S	*	6/2018	Seum	D23/213
D820,949	S	*	6/2018	Reinecker	D23/213
D821,542	S	*	6/2018	Reinecker	D23/213
D824,485	S	*	7/2018	Montoya	D23/213
D833,575	S	*	11/2018	Soulier	D23/223
D839,384	S	*	1/2019	Svendsen	D23/213
D840,503	S	*	2/2019	Stein	D23/213
D841,121	S	*	2/2019	Kiefer	D23/213
D841,125	S	*	2/2019	Lai	D23/223
D842,429	S	*	3/2019	Huang	D23/213
D842,430	S	*	3/2019	Huang	D23/213
D842,431	S	*	3/2019	Cacka	D23/213
D842,967	S	*	3/2019	Farley	D23/213

* cited by examiner

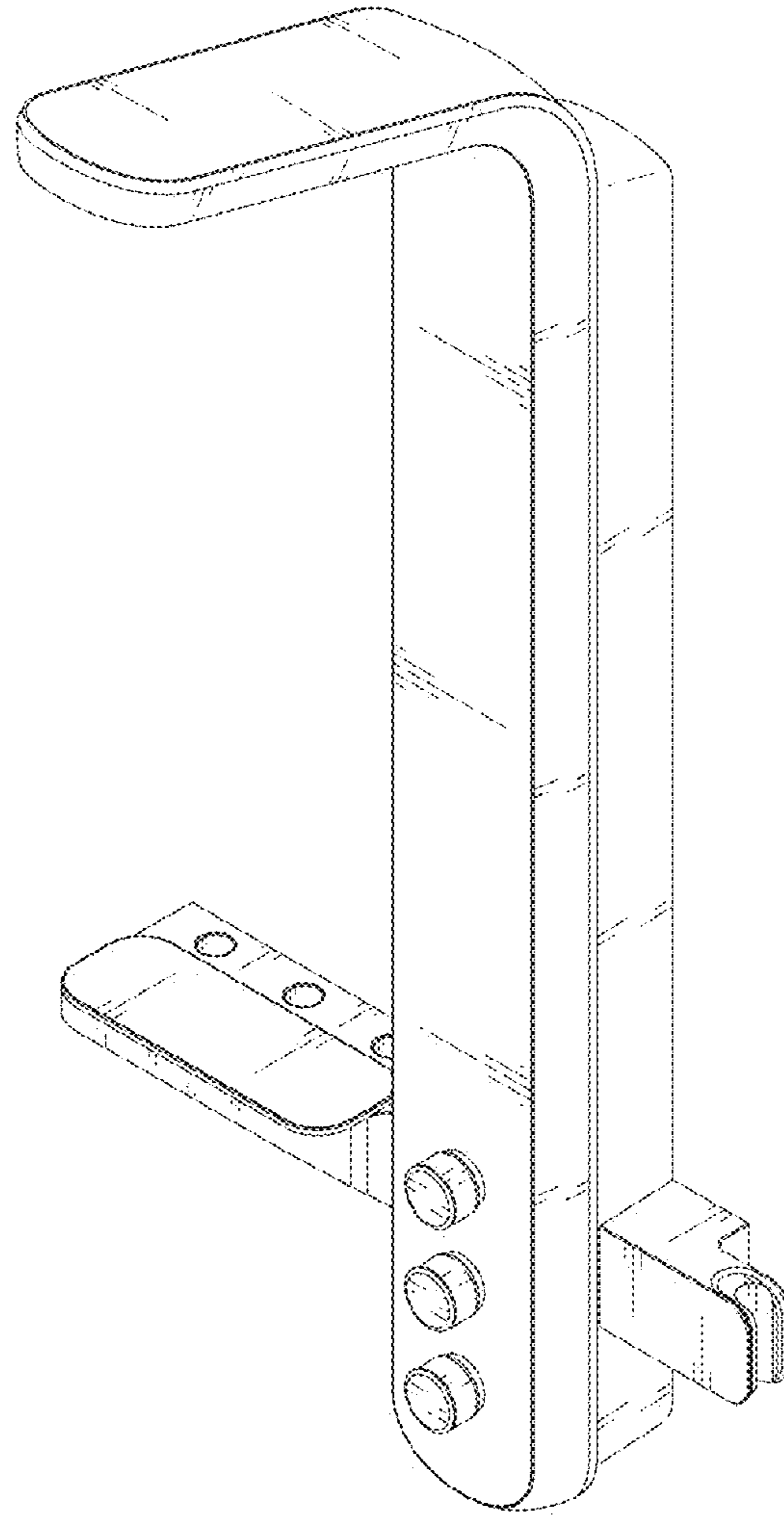


FIG. 1

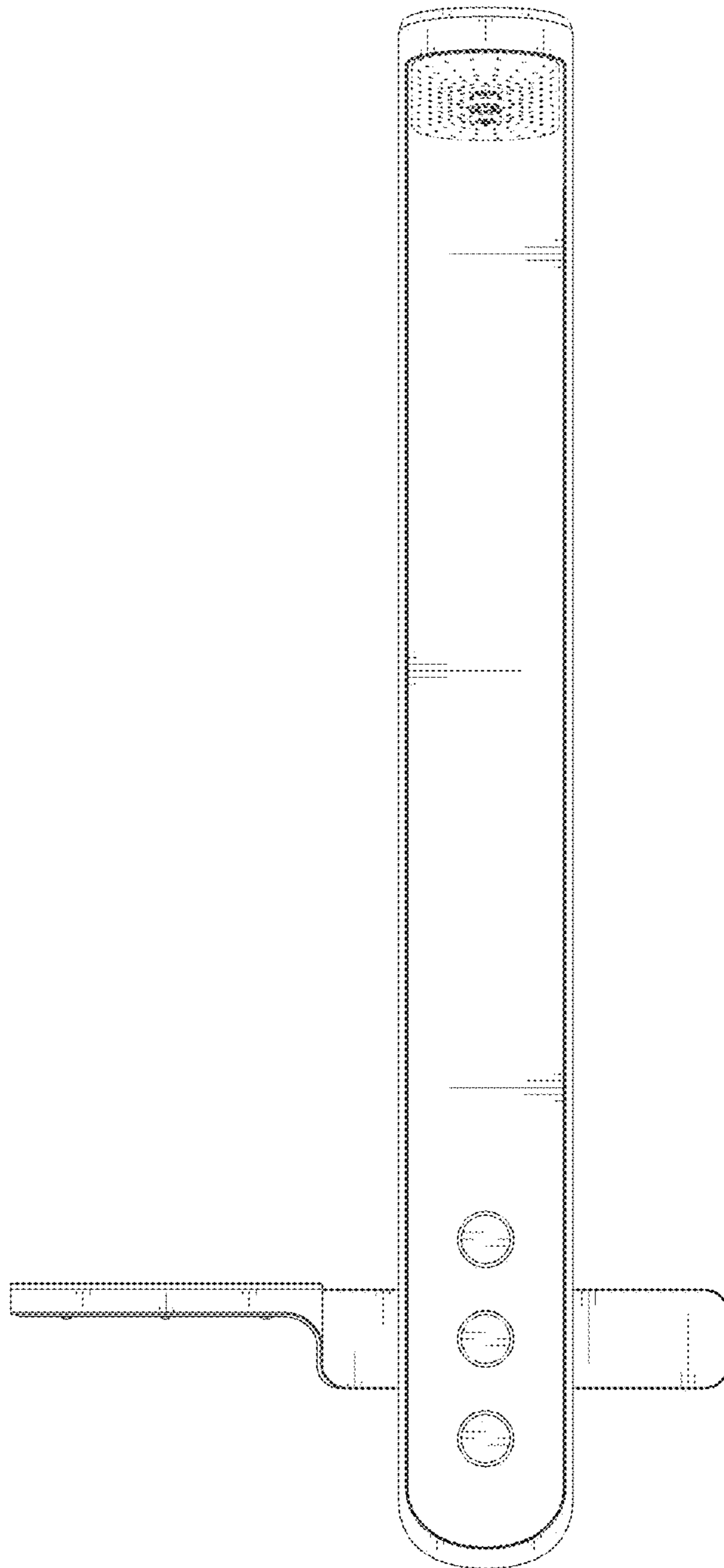


FIG. 2

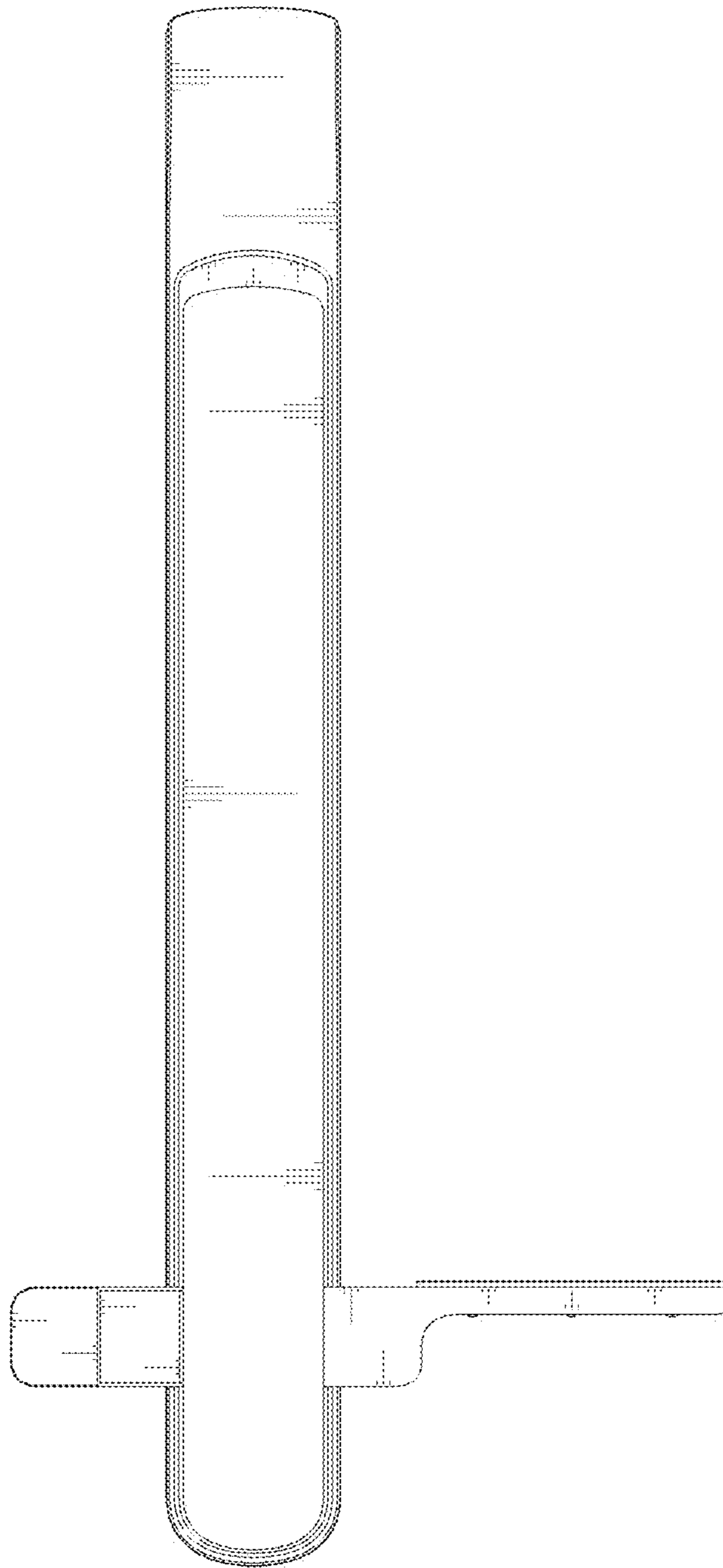


FIG. 3

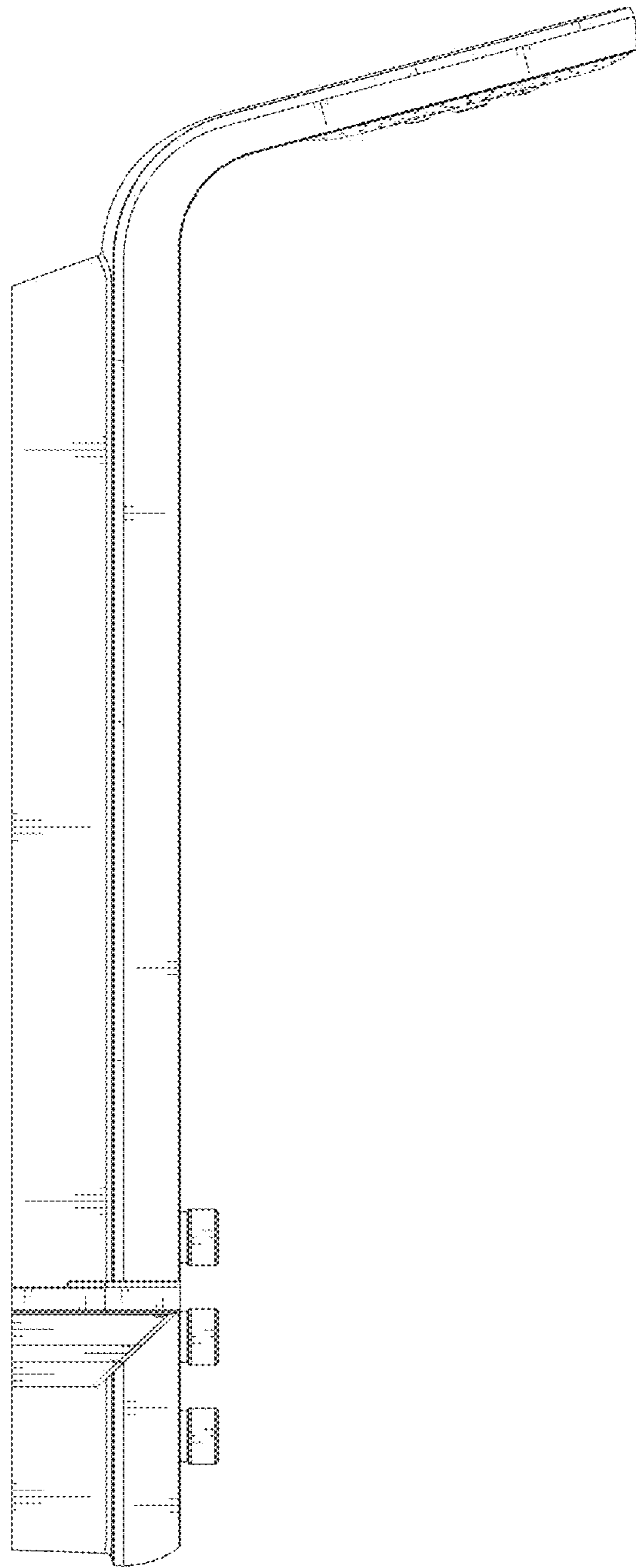


FIG. 4

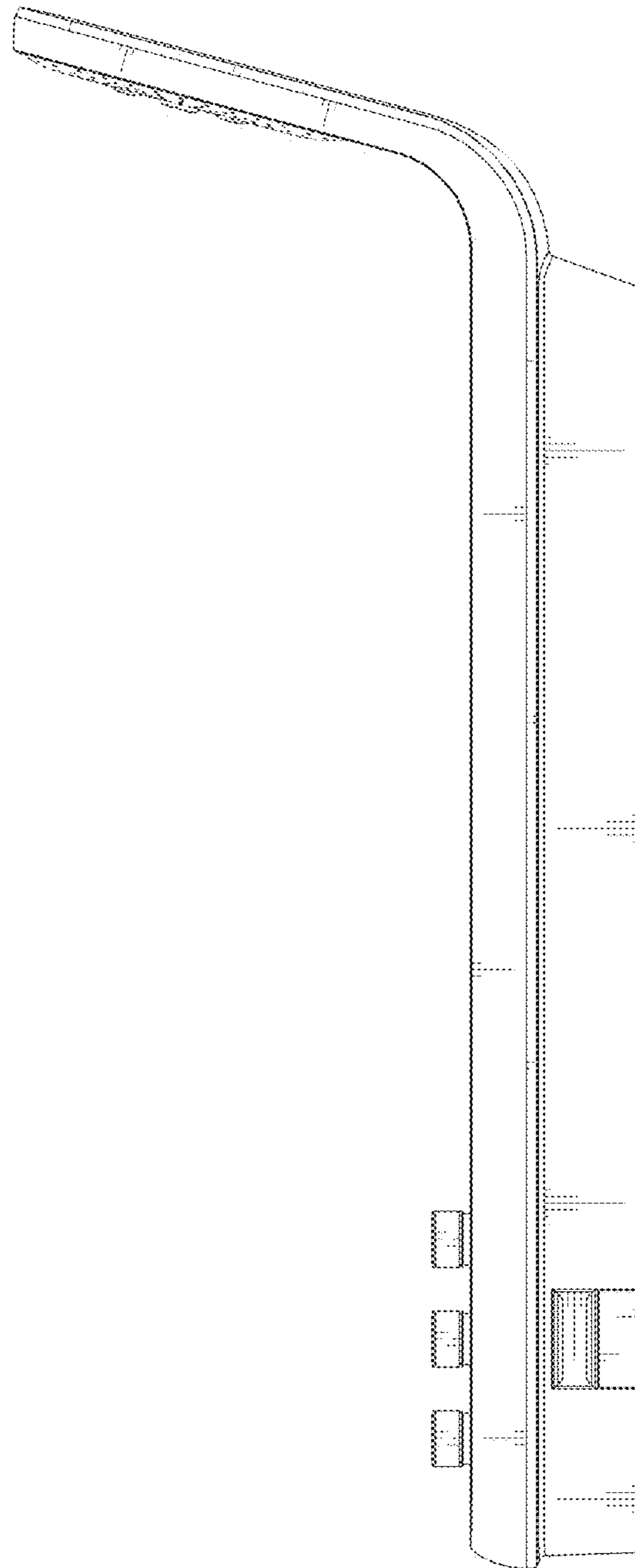


FIG. 5

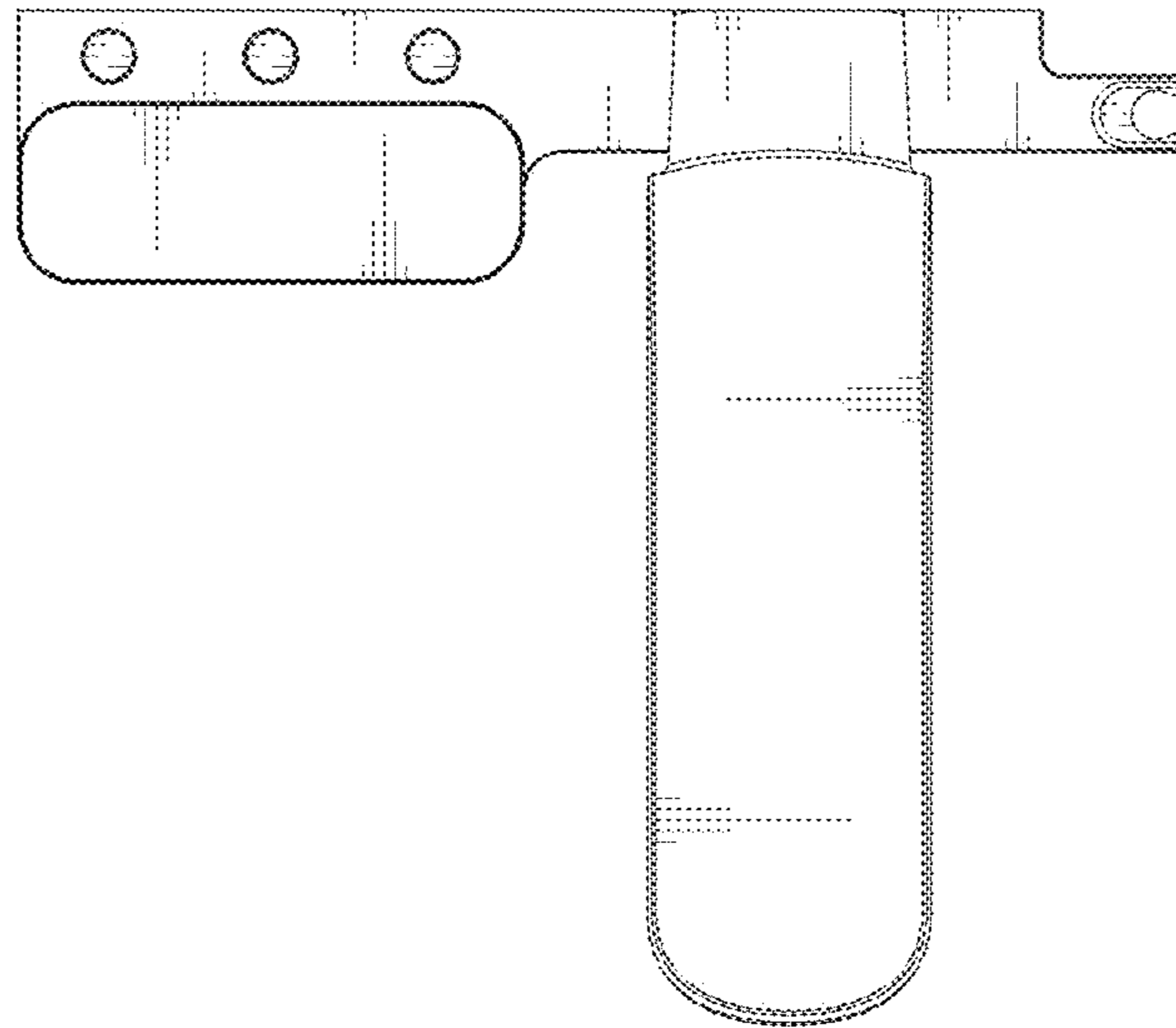


FIG. 6

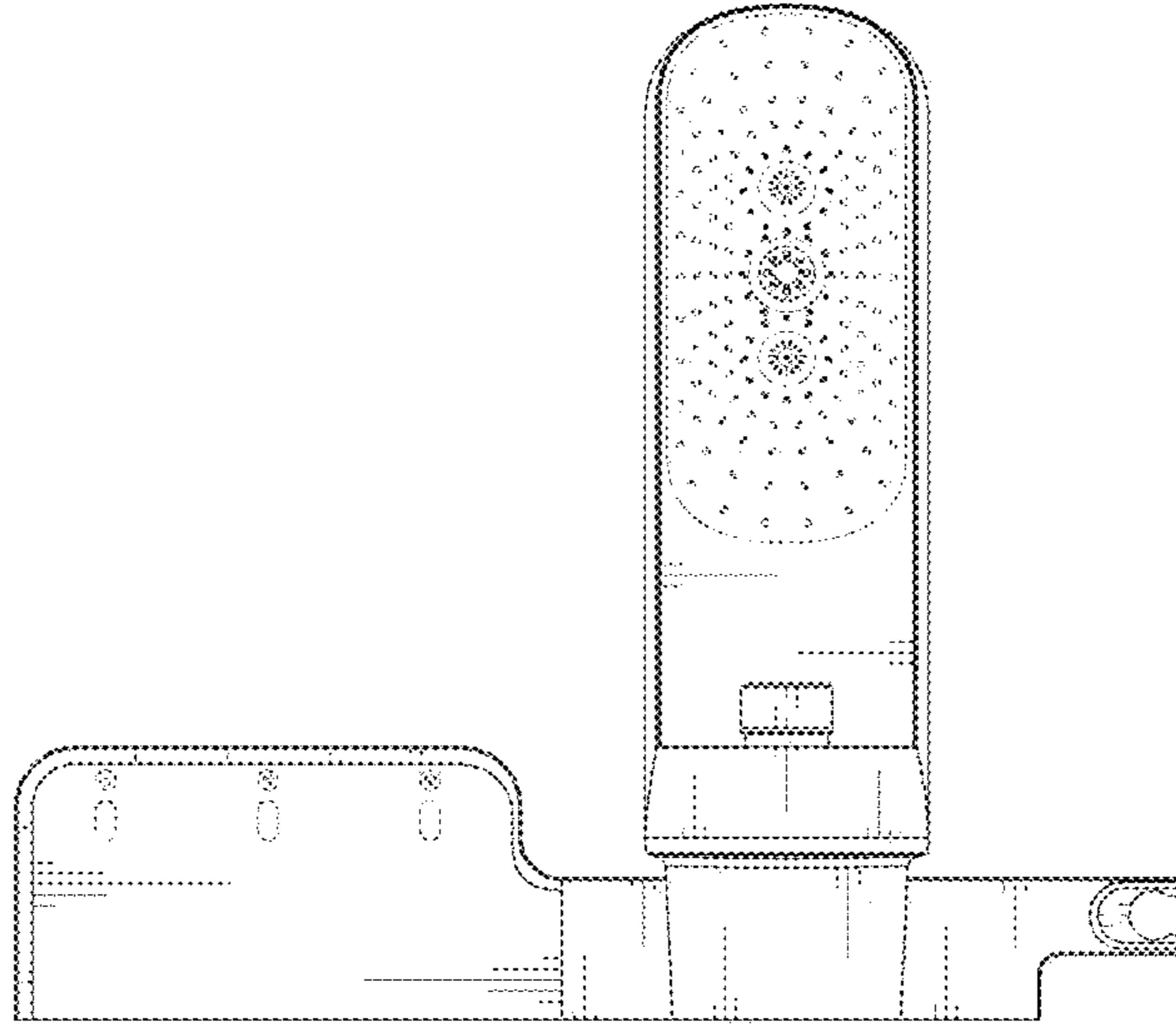


FIG. 7