



US00D908188S

(12) **United States Design Patent** (10) **Patent No.:** **US D908,188 S**
Seum et al. (45) **Date of Patent:** **** Jan. 19, 2021**

(54) **SHOWER HEAD** D713,496 S * 9/2014 Schoenherr D23/213
8,851,398 B2 * 10/2014 Li B05B 1/1609
239/222.11
(71) Applicant: **Grohe AG**, Hemer (DE) D744,610 S * 12/2015 Citterio D23/213
D751,174 S * 3/2016 Schoenherr D23/213
(72) Inventors: **Michael Seum**, Duesseldorf (DE);
Duarte Salvador, Duesseldorf (DE) D757,894 S * 5/2016 Schoenherr D23/213
D758,532 S * 6/2016 Schoenherr D23/213
D828,491 S * 9/2018 Schoenherr D23/213
D828,905 S * 9/2018 Schoenherr D23/213
(73) Assignee: **Grohe AG**, Hemer (DE) D849,191 S * 5/2019 Cocks D23/213
(**) Term: **15 Years**

(21) Appl. No.: **29/684,508**
(22) Filed: **Mar. 21, 2019**
(30) **Foreign Application Priority Data**
Sep. 21, 2018 (EM) 005652567-0001
(51) **LOC (13) Cl.** **23-01**
(52) **U.S. Cl.**
USPC **D23/213**
(58) **Field of Classification Search**
USPC D23/213, 214, 215, 223, 224, 226, 229,
D23/230
CPC A61H 9/0021; A61H 33/00; B05B 1/00;
B05B 1/14; B05B 1/185; B05B 1/08;
B05B 1/02; B05B 1/26; B05B 12/002;
B05B 1/18; B05B 9/01
See application file for complete search history.

(56) **References Cited**
U.S. PATENT DOCUMENTS
D465,824 S * 11/2002 Barry D23/213
D496,987 S * 10/2004 Glunk D23/213
D517,164 S * 3/2006 Lee D23/213
D523,925 S * 6/2006 Hoernig D23/213
D530,389 S * 10/2006 Genslak D23/213
D531,260 S * 10/2006 Luo D23/213
D538,391 S * 3/2007 Mazzola D23/213
D590,046 S * 4/2009 Starck D23/213
D639,384 S * 6/2011 Flowers D23/213
D669,962 S * 10/2012 Schoenherr D23/213
D694,358 S * 11/2013 Schoenherr D23/213

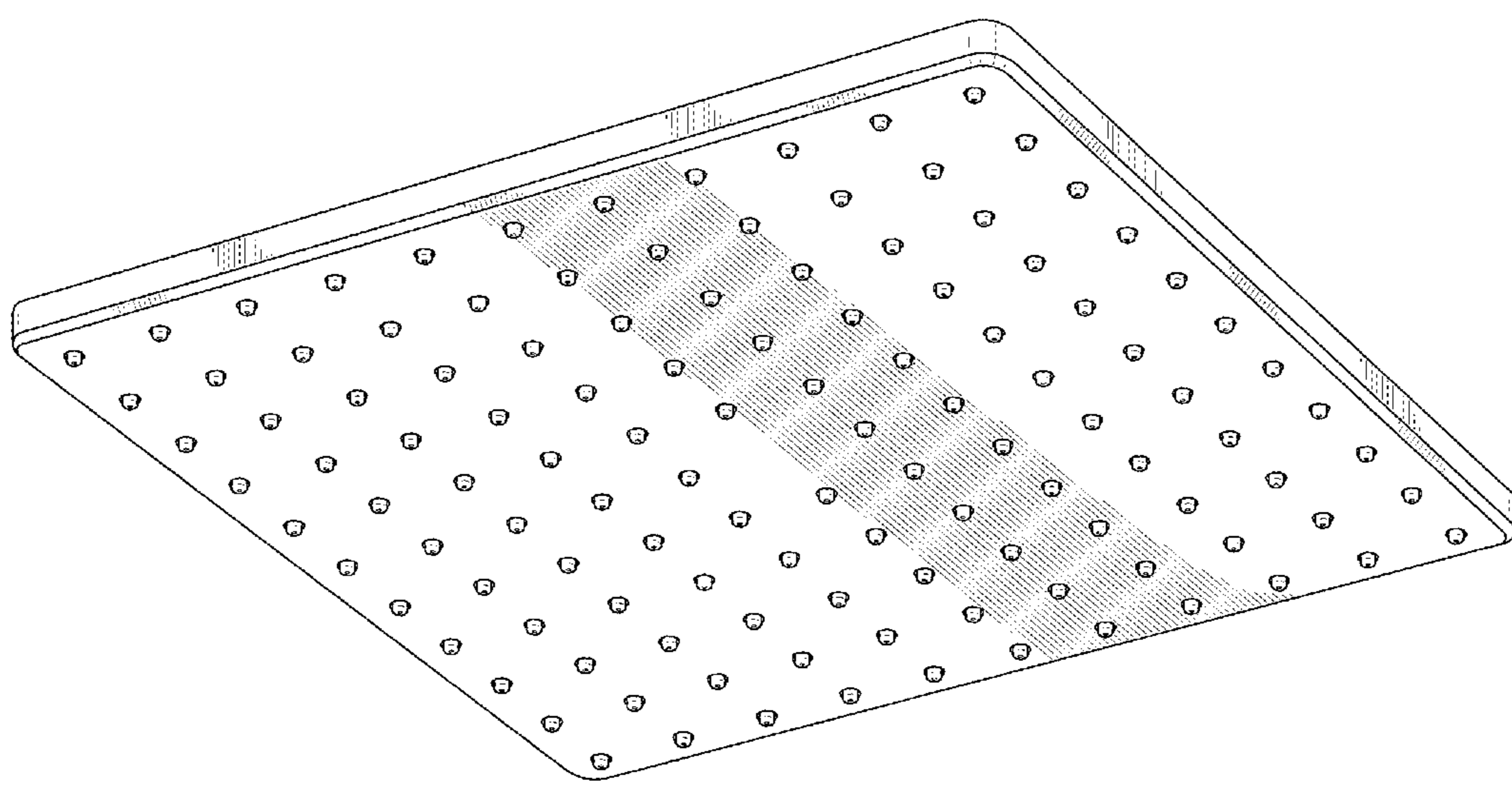
OTHER PUBLICATIONS
https://www.amazon.co.uk/Delta-52159-25-Single-Setting-Raincan-Shower/dp/B07M9M2QTB/ref=sr_1_38?keywords=delta+shower+head&qid=1581530455&sr=8-38 (Year: 2019).*
https://www.amazon.com/dp/B008OZV7SC/ref=sbl_dp_x_B01E466VNU_0 (Year: 2012).*

* cited by examiner
Primary Examiner — Manpreet S Matharu
Assistant Examiner — Keith J Wilson
(74) *Attorney, Agent, or Firm* — Muncy, Geissler, Olds & Lowe, P.C.

(57) **CLAIM**
The ornamental design for a shower head, as shown and described.

DESCRIPTION
FIG. 1 is a front perspective view of a shower head according to the present invention.
FIG. 2 is a front view of the shower head of FIG. 1.
FIG. 3 is a rear view of the shower head of FIG. 1.
FIG. 4 is a left side view of the shower head of FIG. 1.
FIG. 5 is a right side view of the shower head of FIG. 1.
FIG. 6 is a top view of the shower head of FIG. 1; and,
FIG. 7 is a bottom view of the shower head of FIG. 1.
The dashed lines illustrate environment that does not form a part of the present invention, and no claim is made to the material illustrated with dashed lines.

1 Claim, 7 Drawing Sheets



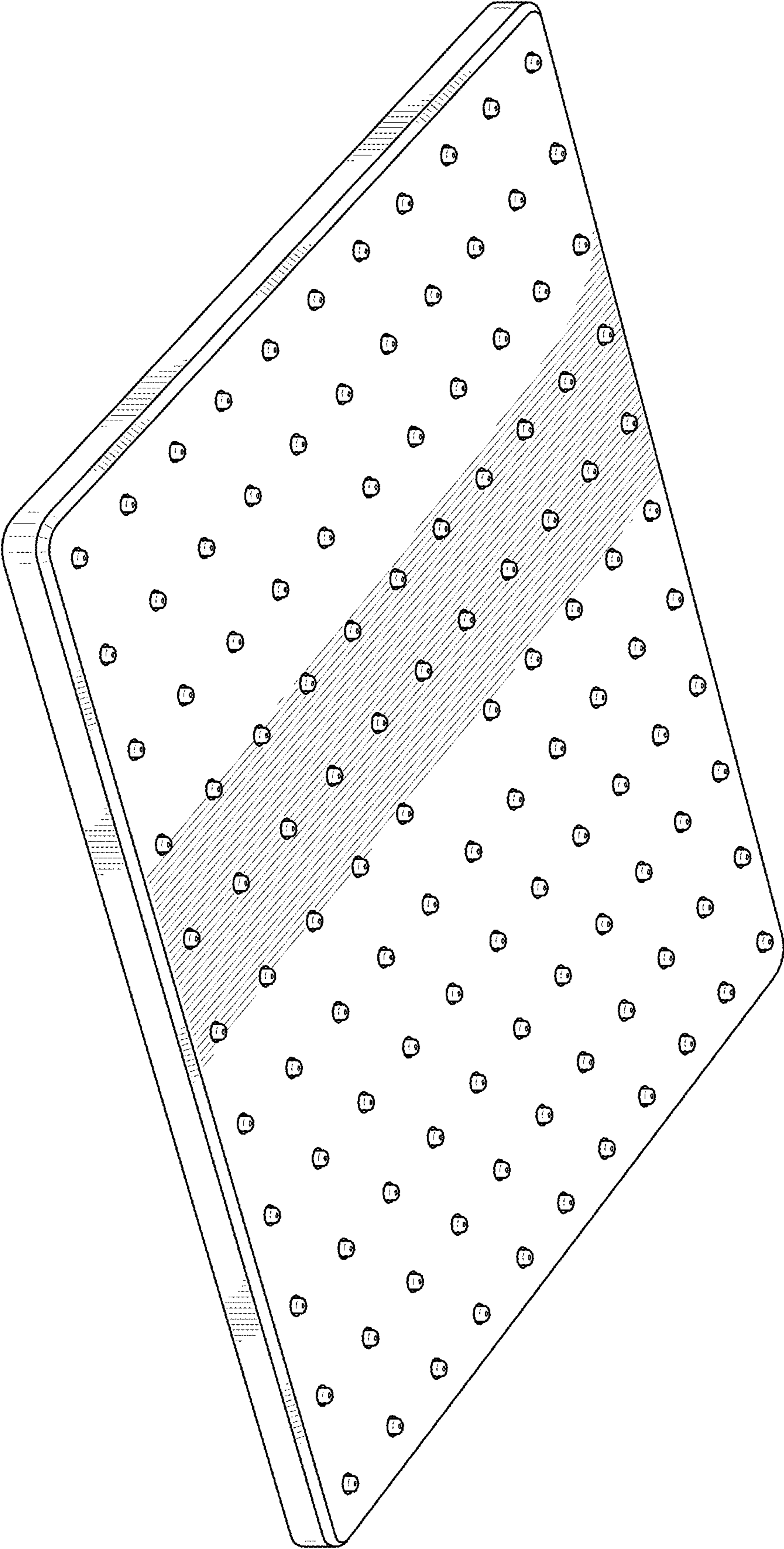


FIG.1

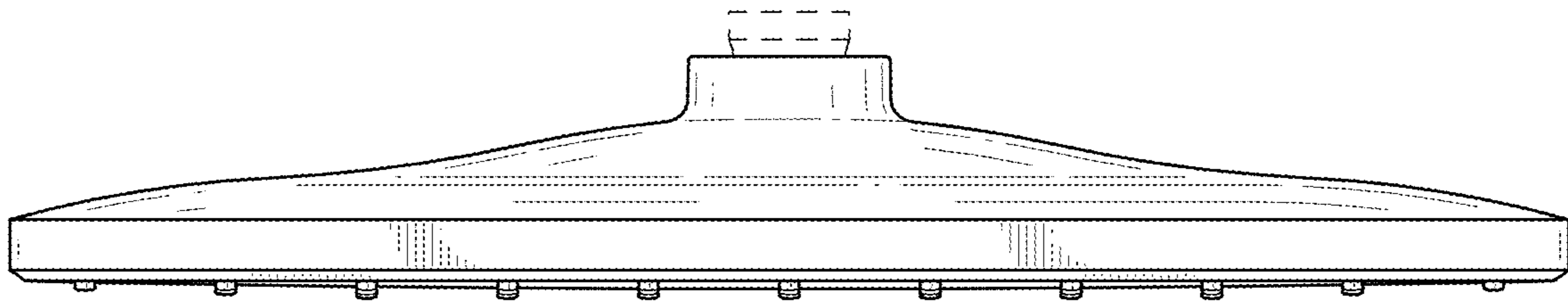


FIG.2

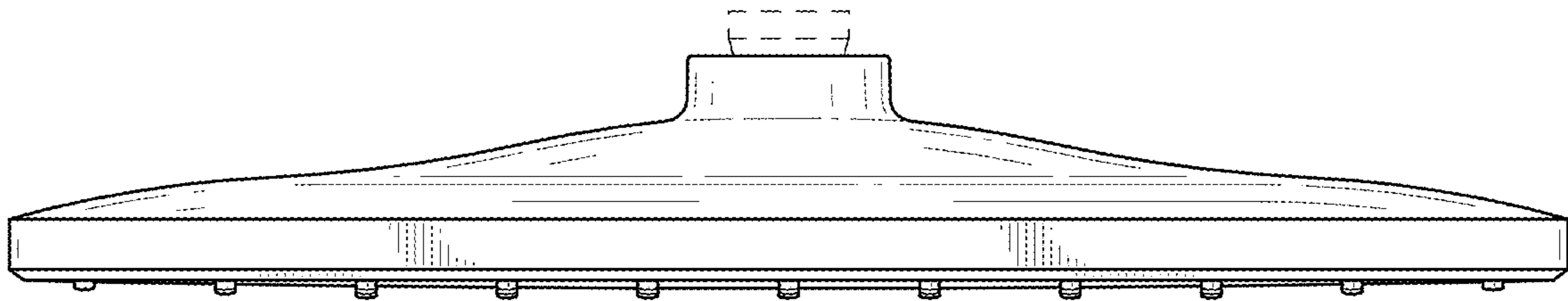


FIG.3

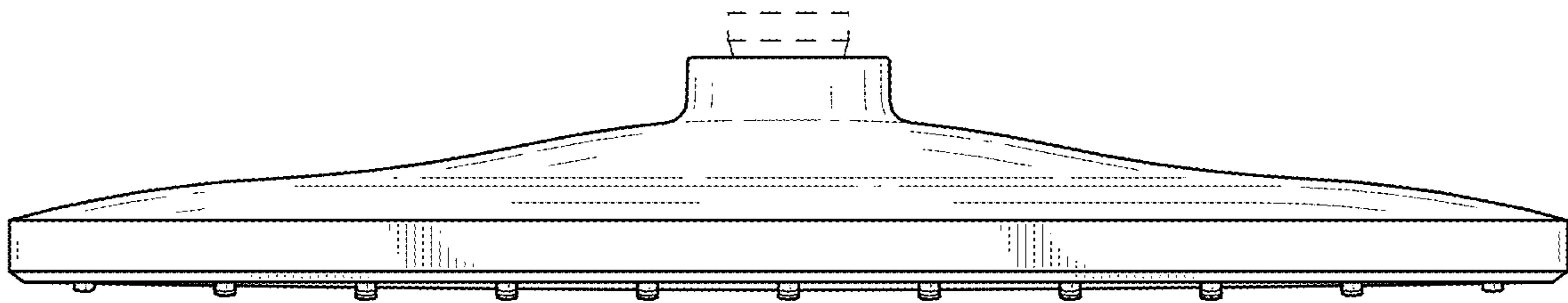


FIG.4

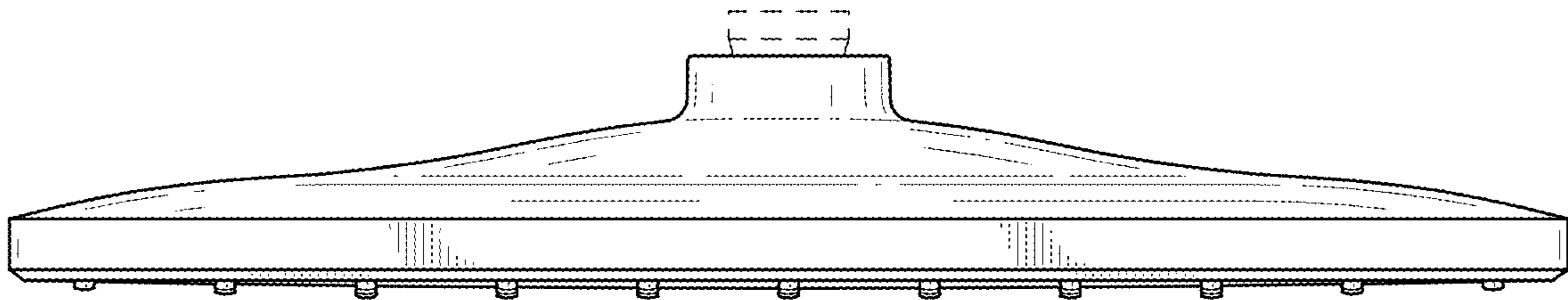


FIG.5

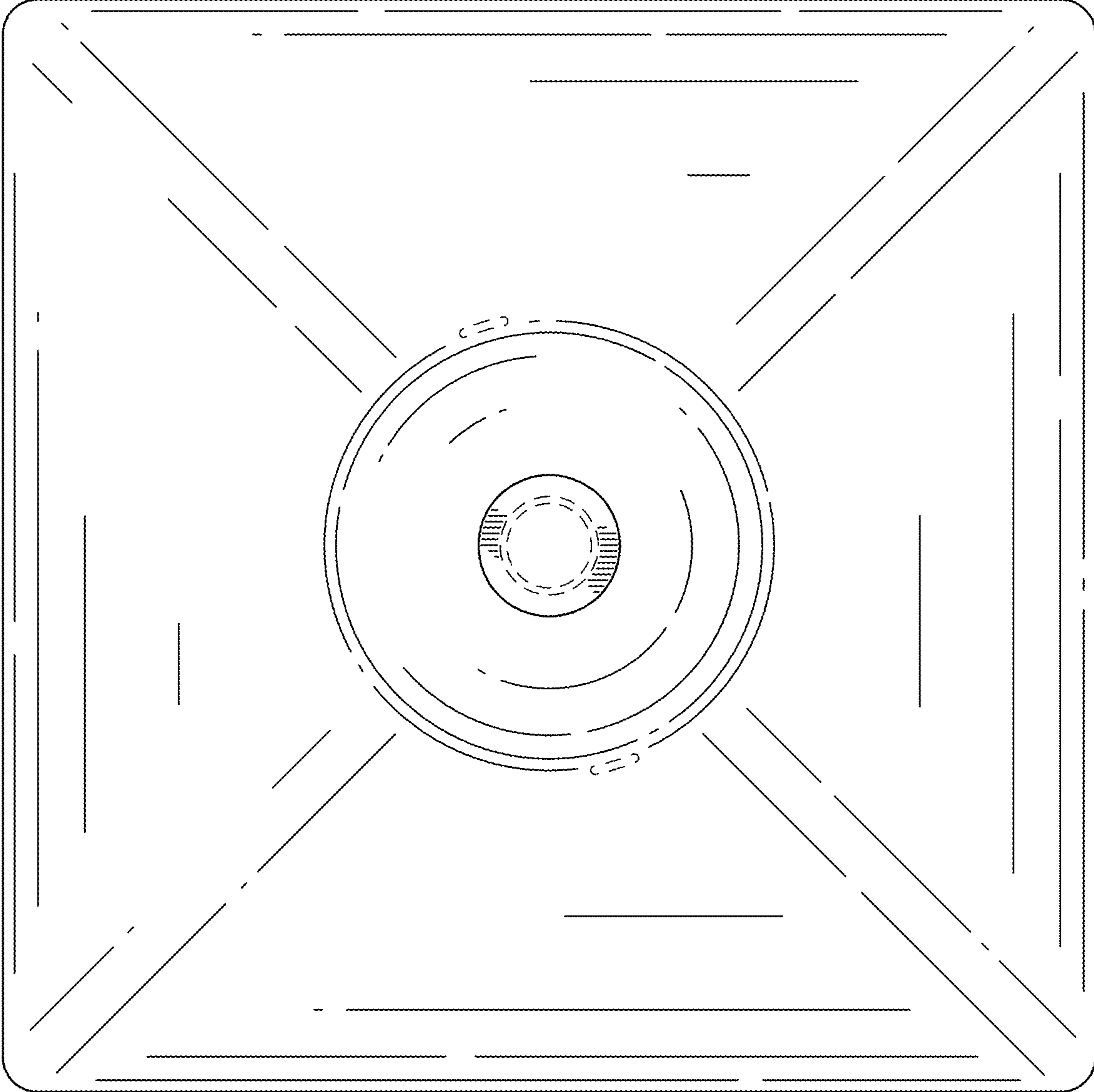


FIG.6

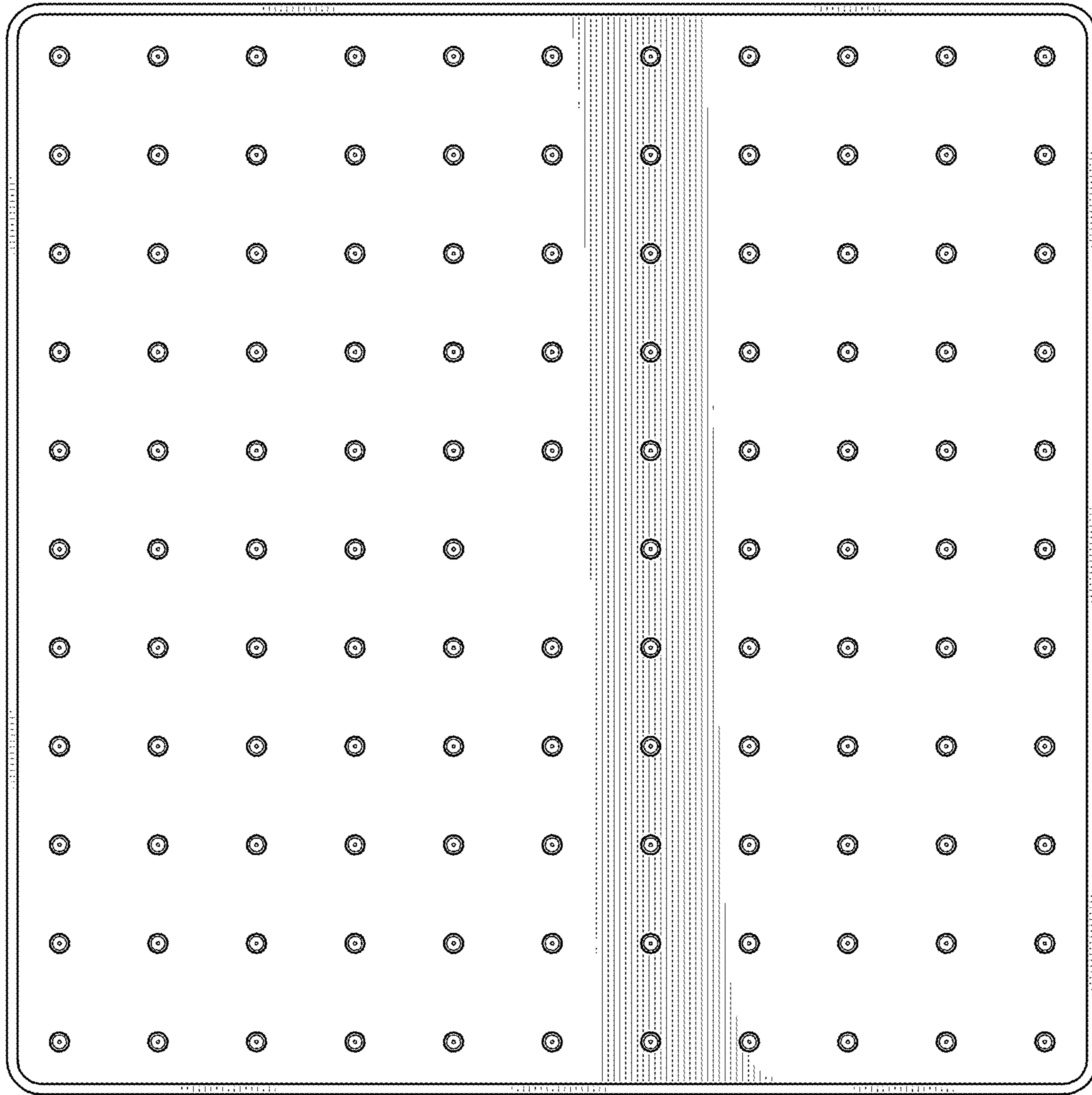


FIG.7