

US00D908187S

(12) **United States Design Patent**
Tobler et al.

(10) **Patent No.:** **US D908,187 S**
(45) **Date of Patent:** **** Jan. 19, 2021**

(54) **NOZZLE FOR AN INJECTOR**
(71) Applicant: **Gema Switzerland GmbH**, St. Gallen (CH)
(72) Inventors: **Roger Tobler**, St. Gallen (CH); **Marco Sanwald**, Abtwil (CH)
(73) Assignee: **GEMA SWITZERLAND GMBH**, St. Gallen (CH)
(**) Term: **15 Years**

(21) Appl. No.: **29/646,609**
(22) Filed: **May 4, 2018**
(51) **LOC (13) Cl.** **23-01**
(52) **U.S. Cl.**
USPC **D23/213; D23/233**
(58) **Field of Classification Search**
USPC **D23/213, 233, 235-237, 241-249, 262; D7/669**
CPC **F16K 1/306; F16K 15/035; F16K 1/307; F16K 1/303; F16K 1/304; F16K 1/52**
See application file for complete search history.

(56) **References Cited**
U.S. PATENT DOCUMENTS
D281,349 S * 11/1985 Goldish D23/223
D326,503 S * 5/1992 Ipsen D23/233
D372,072 S * 7/1996 Hutcherson D23/223
D425,965 S * 5/2000 Yuen D23/233
D459,435 S * 6/2002 Fauquet D23/213
D520,106 S * 5/2006 Jones D23/213

D540,908 S * 4/2007 Py D23/213
D546,946 S * 7/2007 Blake D24/129
D576,477 S * 9/2008 Levy D23/262
D667,530 S * 9/2012 Wyne D23/213
D670,356 S * 11/2012 Sanwald D23/213
D690,391 S * 9/2013 Garm D23/233
D699,320 S * 2/2014 Wyne D23/213
D736,285 S * 8/2015 Hassan D15/144
D745,949 S * 12/2015 Meyer D23/259
D755,347 S * 5/2016 Jenne D23/233
D785,137 S * 4/2017 Mahdjoubi Namin D23/223
D832,984 S * 11/2018 Khubani D23/262
D834,154 S * 11/2018 Khubani D23/262
D835,244 S * 12/2018 Khubani D23/262

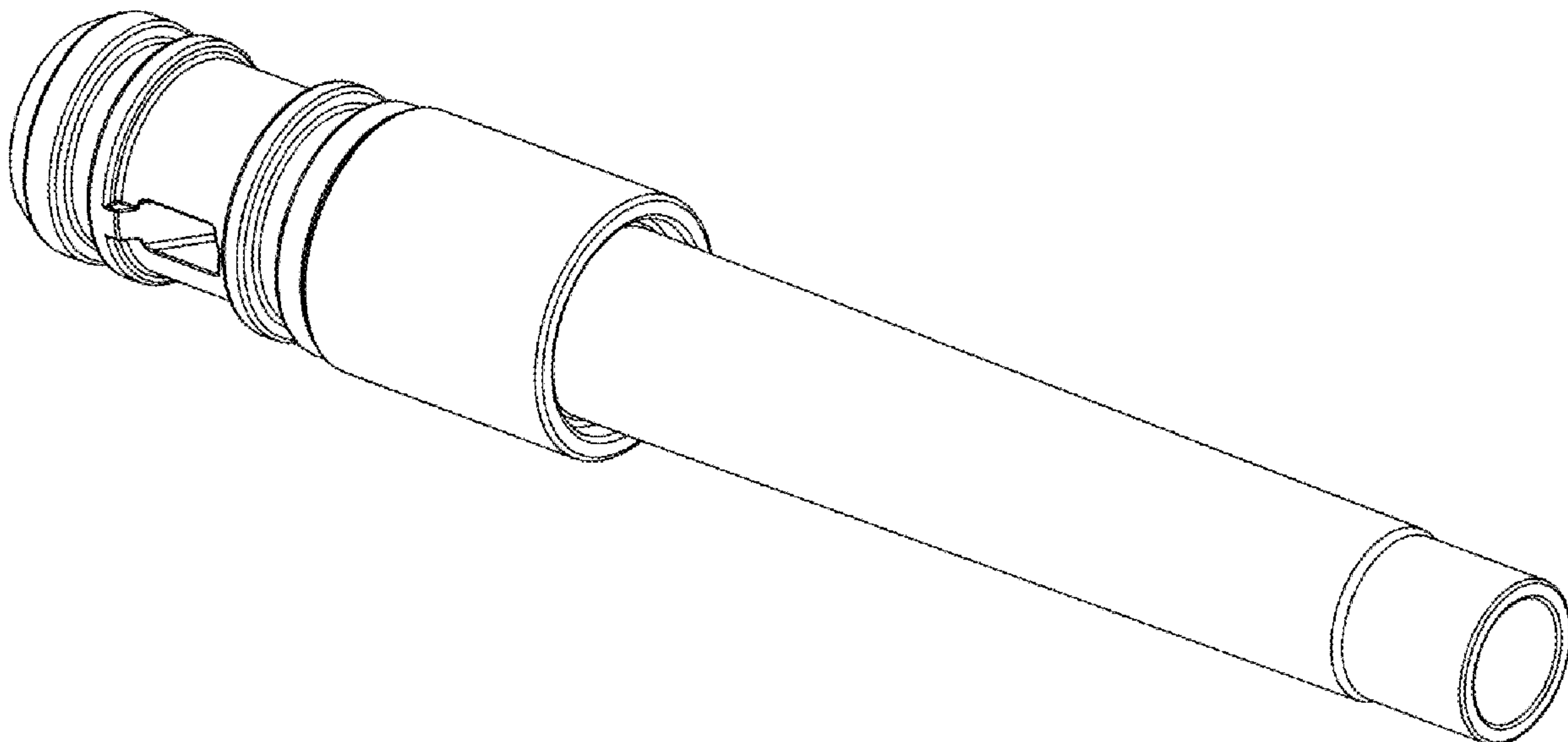
* cited by examiner

Primary Examiner — Manpreet S Matharu
Assistant Examiner — Keith J Wilson
(74) *Attorney, Agent, or Firm* — Kinney & Lange, P.A.

(57) **CLAIM**
The ornamental design for a nozzle for an injector, as shown and described.

DESCRIPTION
FIG. 1 is a perspective view;
FIG. 2 is a top plan view;
FIG. 3 is a bottom plan view;
FIG. 4 is a front elevational view;
FIG. 5 is a right end view; and,
FIG. 6 is a left end view.
The broken lines shown in the figures represent portions of the nozzle for an injector that form no part of the claimed design.

1 Claim, 6 Drawing Sheets



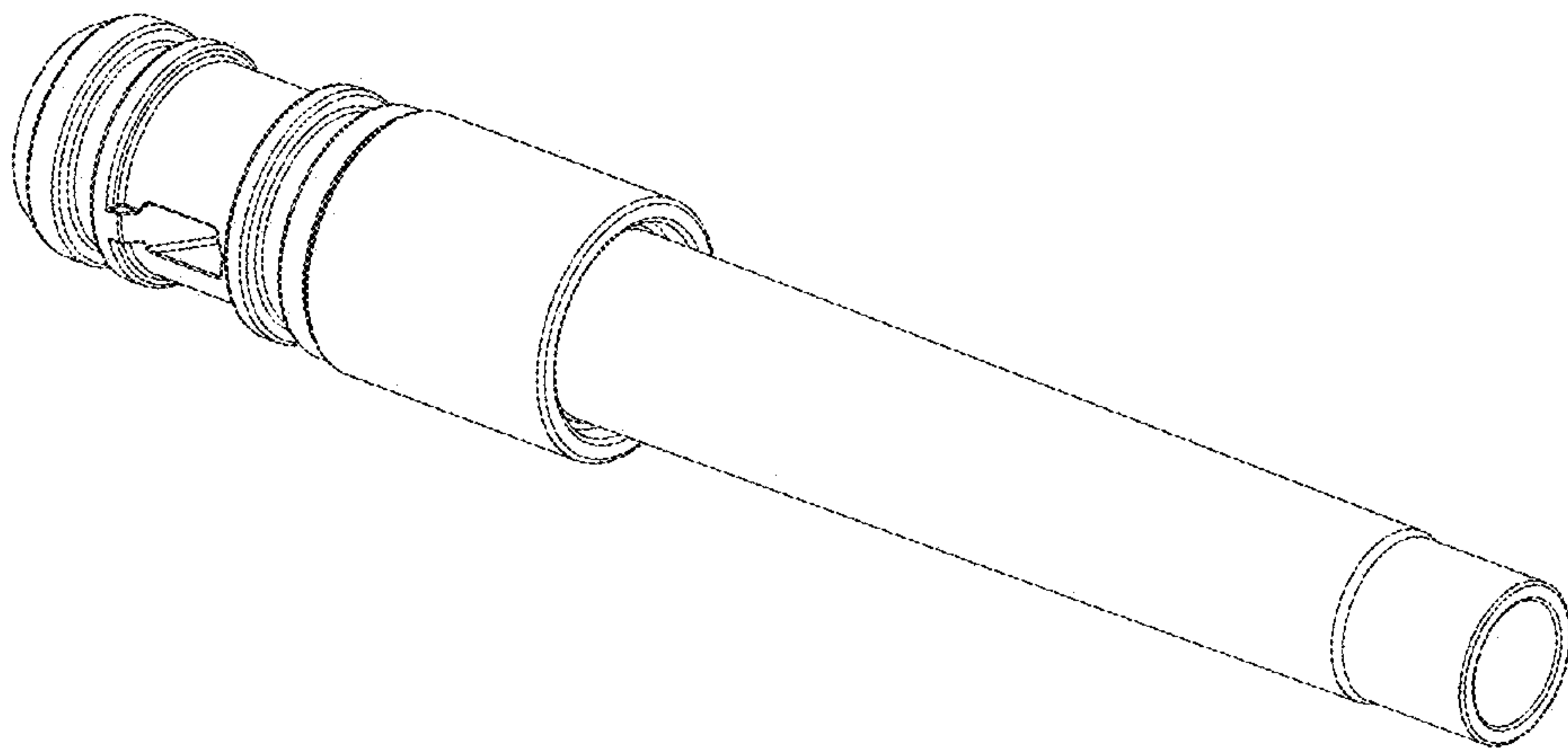


FIG. 1

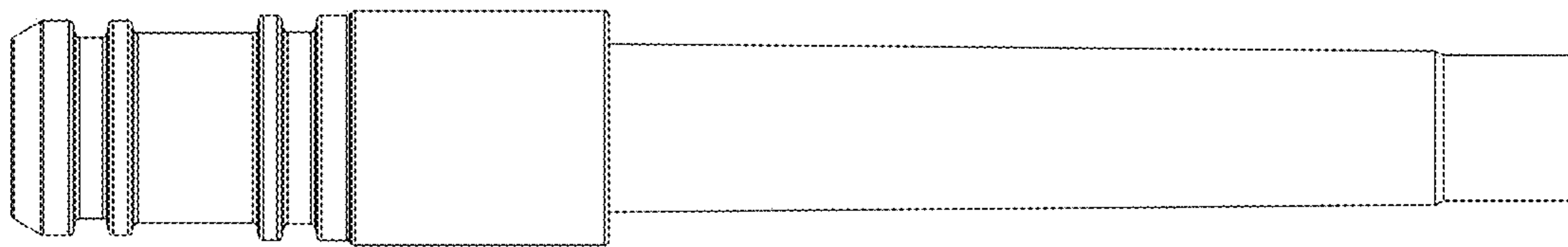


FIG. 2

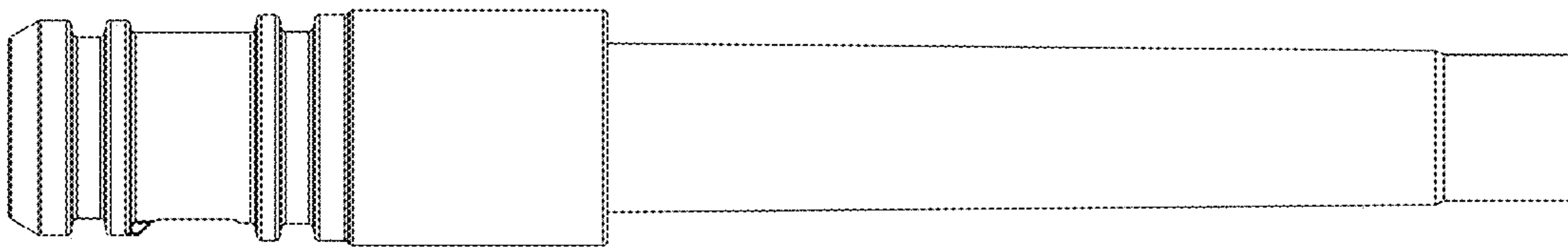


FIG. 3

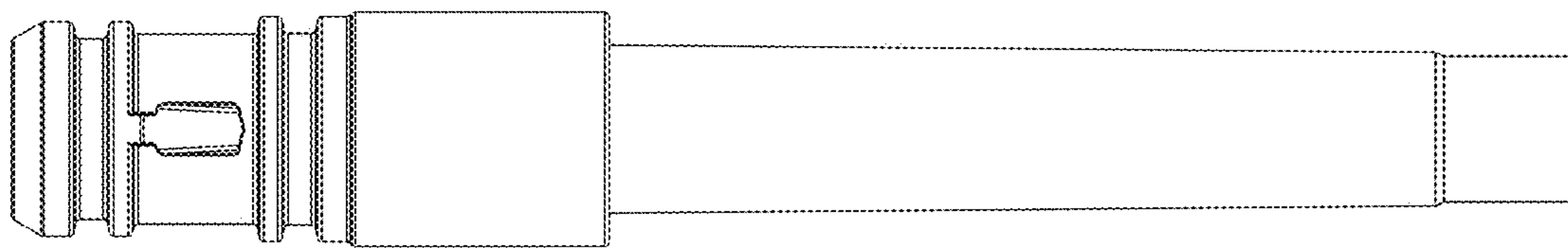


FIG. 4

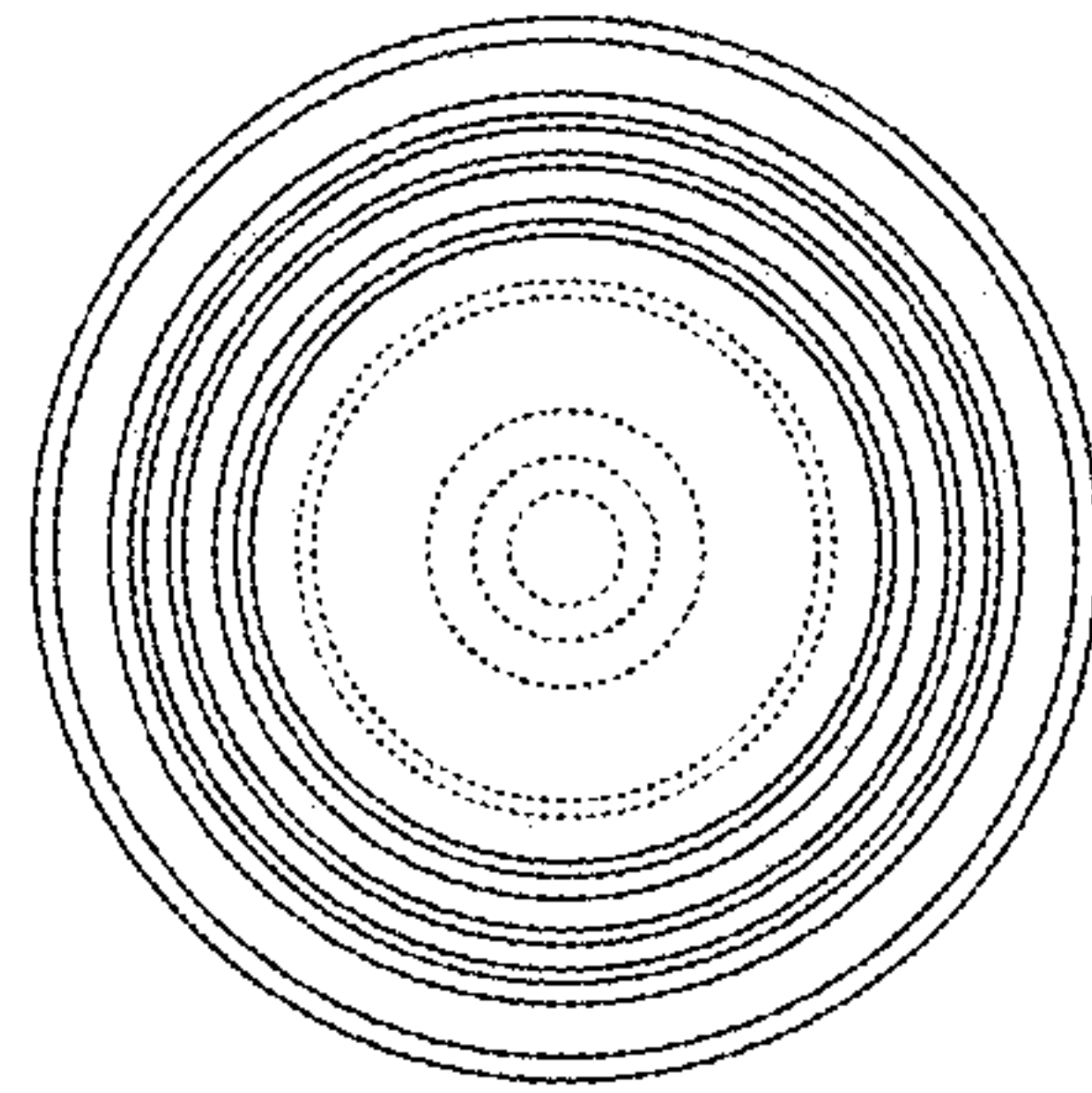


FIG. 5

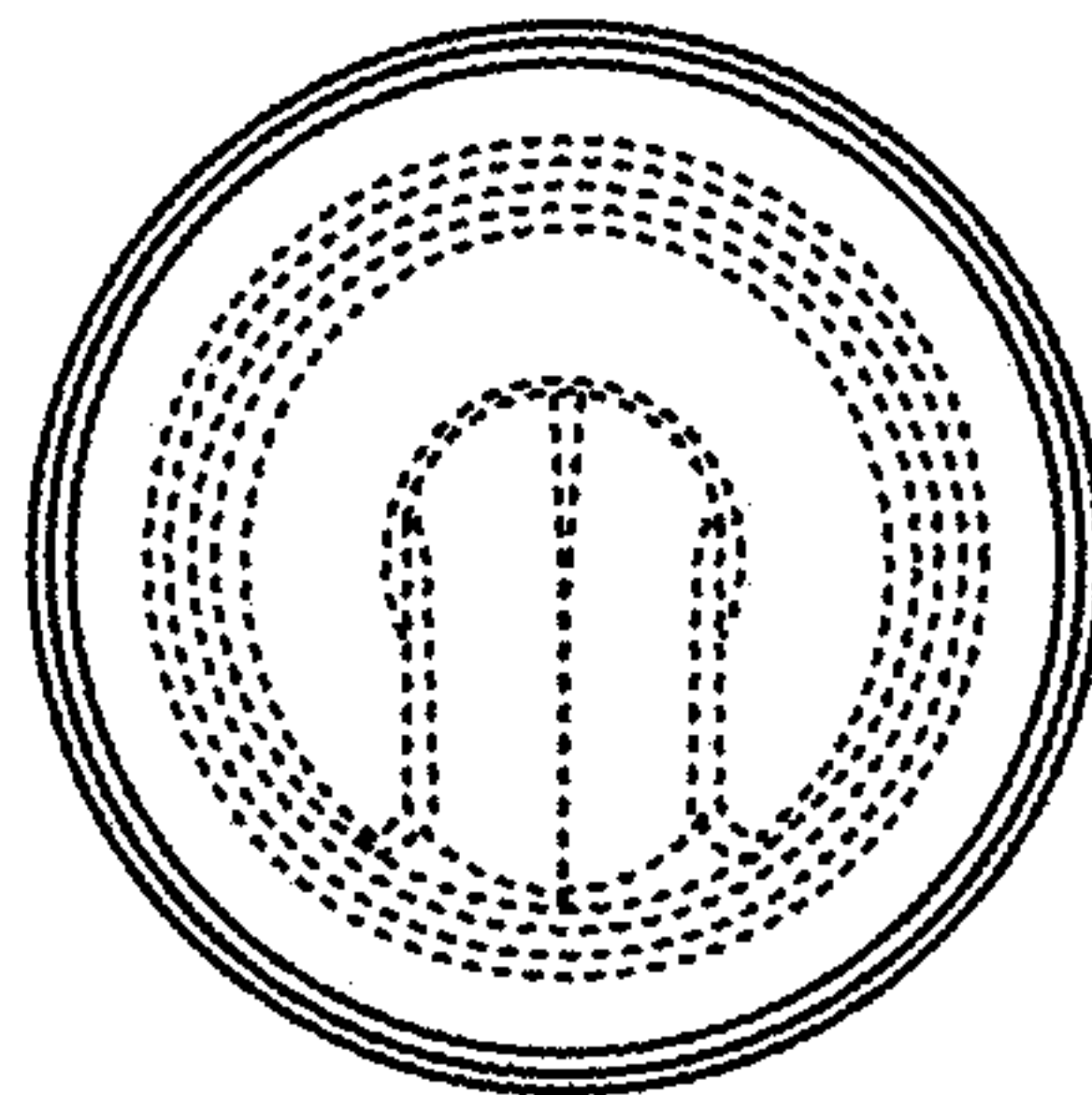


FIG. 6