



US00D908186S

(12) **United States Design Patent**
Iyasu et al.

(10) **Patent No.:** **US D908,186 S**
(45) **Date of Patent:** **** Jan. 19, 2021**

(54) **VESSEL FOR A SOLID WATER TREATMENT AGENT**

(71) Applicant: **KURITA WATER INDUSTRIES LTD.**, Tokyo (JP)

(72) Inventors: **Takashi Iyasu**, Tokyo (JP); **Yuta Ohtsuka**, Tokyo (JP); **Yusuke Matoba**, Tokyo (JP); **Shinya Yamamoto**, Tokyo (JP)

(73) Assignee: **KURITA WATER INDUSTRIES LTD.**, Tokyo (JP)

(**) Term: **15 Years**

(21) Appl. No.: **29/687,213**

(22) Filed: **Apr. 11, 2019**

Related U.S. Application Data

(62) Division of application No. 35/504,541, filed on Sep. 5, 2017 (U.S. filing date under 35 U.S.C. 384), and having an international filing date of Sep. 5, 2017, now Pat. No. Des. 860,387.

(30) **Foreign Application Priority Data**

Mar. 9, 2017 (JP) 2017-004823
Mar. 9, 2017 (JP) 2017-004824

(51) **LOC (13) Cl.** **23-02**

(52) **U.S. Cl.**
USPC **D23/207**

(58) **Field of Classification Search**
USPC D23/207, 209, 227, 270, 449, 202-205
CPC C02F 1/00; C02F 1/50
See application file for complete search history.

(56) **References Cited**

U.S. PATENT DOCUMENTS

4,630,634 A * 12/1986 Sasaki C02F 1/688
137/268
D295,438 S * 4/1988 Bray D23/207

D318,091 S * 7/1991 Sherman D23/209
D318,094 S * 7/1991 Sherman D23/209
5,053,205 A * 10/1991 Taylor C02F 1/688
210/167.11
D407,462 S * 3/1999 Bishop D23/207
D438,932 S * 3/2001 McKinney D23/207
D439,304 S * 3/2001 Tilp D23/209
D451,979 S * 12/2001 Vanerdewyk D23/208
D454,615 S * 3/2002 Neal D23/209
D506,806 S * 6/2005 St-Hilaire D23/209
D510,757 S * 10/2005 Donald D23/203
D519,186 S * 4/2006 Oranski D23/209
D559,943 S * 1/2008 Mercer D23/207

(Continued)

FOREIGN PATENT DOCUMENTS

JP 2018-30063 A 3/2018
TW 201806834 A 3/2018
WO WO 2018/038090 A1 3/2018

Primary Examiner — Richard E Chilcot

(74) *Attorney, Agent, or Firm* — Nixon & Vanderhye P.C.

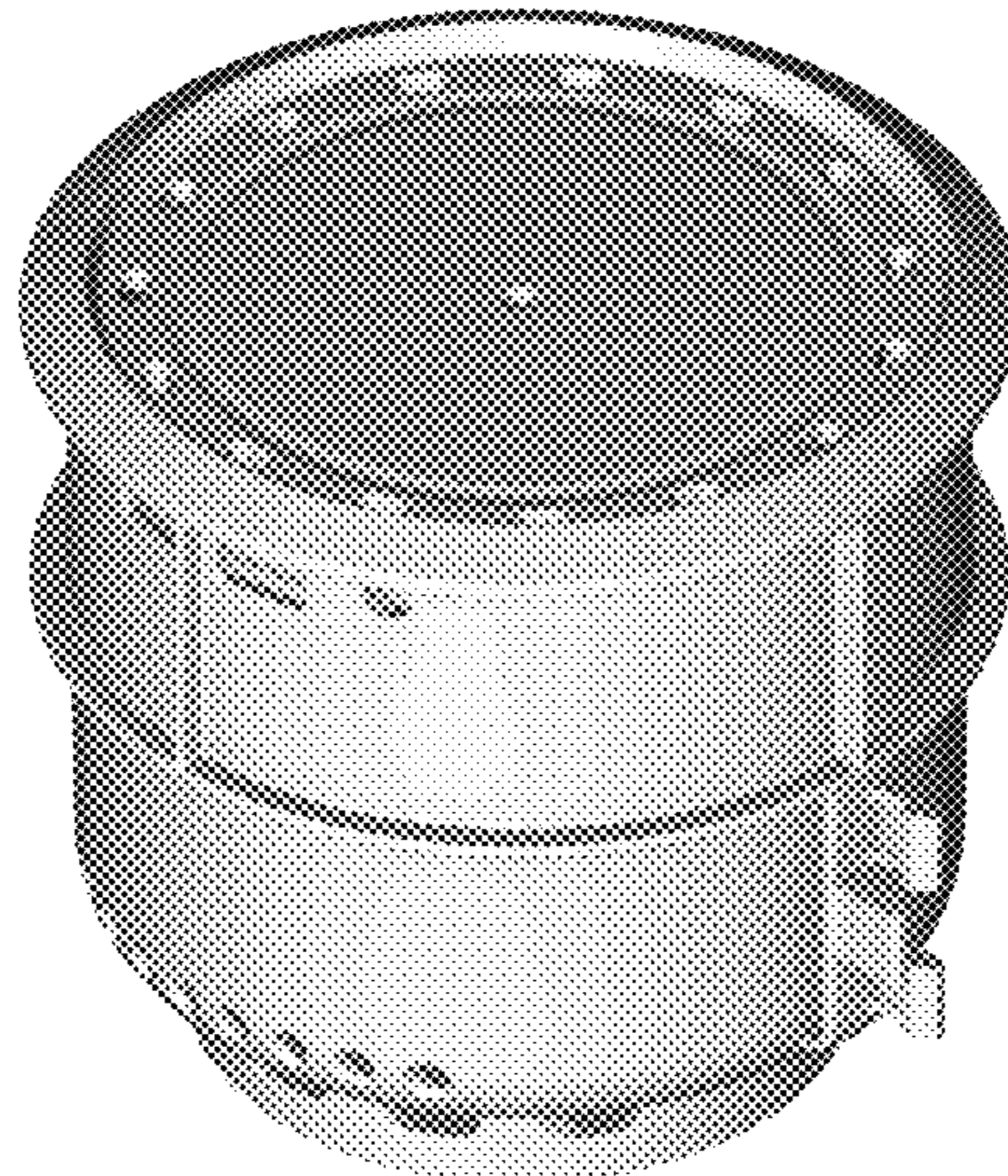
(57) **CLAIM**

The ornamental design for a vessel for a solid water treatment agent, as shown and described.

DESCRIPTION

FIG. 1 is a perspective view of the top of a vessel for a solid water treatment agent showing our new design;
FIG. 2 is a perspective view of the bottom;
FIG. 3 is a front view thereof;
FIG. 4 is a back view thereof;
FIG. 5 is a top view thereof;
FIG. 6 is a bottom view thereof;
FIG. 7 is a left view thereof; and,
FIG. 8 is a right view thereof.

1 Claim, 8 Drawing Sheets



(56)

References Cited

U.S. PATENT DOCUMENTS

7,497,947 B2 * 3/2009 Knighton C02F 1/50
210/198.1
D621,001 S * 8/2010 Maziel D23/209
D630,705 S * 1/2011 Rossano D23/208
7,922,982 B1 * 4/2011 Brennan C02F 1/688
422/265
D639,900 S * 6/2011 Buzanowski D23/209
D639,901 S * 6/2011 Buzanowski D23/209
D640,347 S * 6/2011 Buzanowski D23/209
D656,578 S * 3/2012 Sherman D23/209
D656,579 S * 3/2012 Sherman D23/209
D668,741 S * 10/2012 Choi D23/209
D716,429 S * 10/2014 Carter B01D 46/002
D23/365
D716,430 S * 10/2014 Carter B01D 46/521
D23/365
D716,431 S * 10/2014 Carter D23/365
D727,461 S * 4/2015 Abraham D23/209
D736,344 S * 8/2015 Chalifoux D23/208
D751,168 S * 3/2016 Takeda D23/207
D751,169 S * 3/2016 Takeda D23/207
D760,346 S * 6/2016 Davis, III D23/207
D794,160 S * 8/2017 Hui D23/207
D795,999 S * 8/2017 Downie D23/209
D802,083 S * 11/2017 Lee D23/207
D808,496 S * 1/2018 Raymond, Jr. D23/207
10,079,504 B2 * 9/2018 Hui H02S 40/38
D849,209 S * 5/2019 Sapara, Jr. D23/261

* cited by examiner

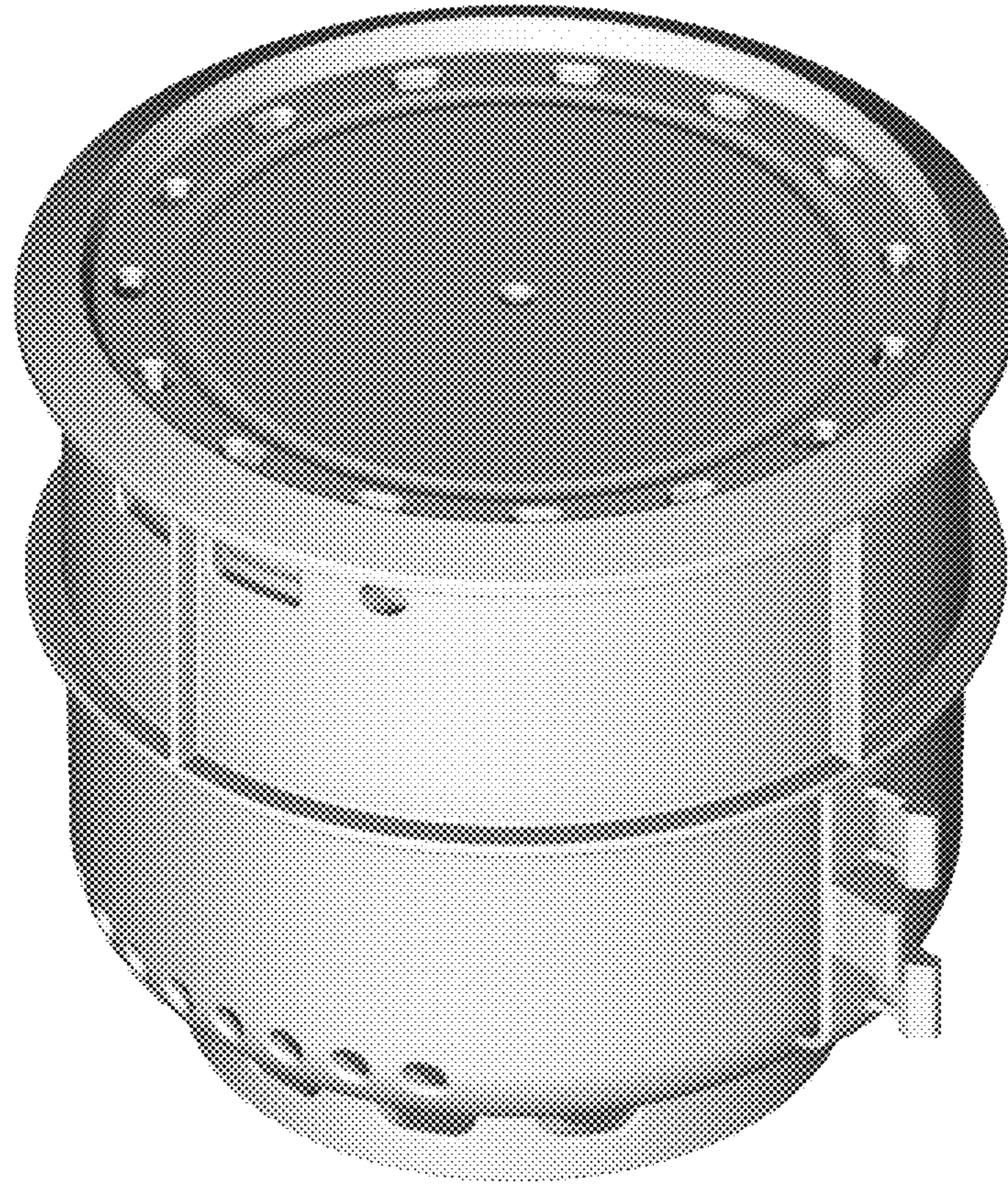


FIG. 1

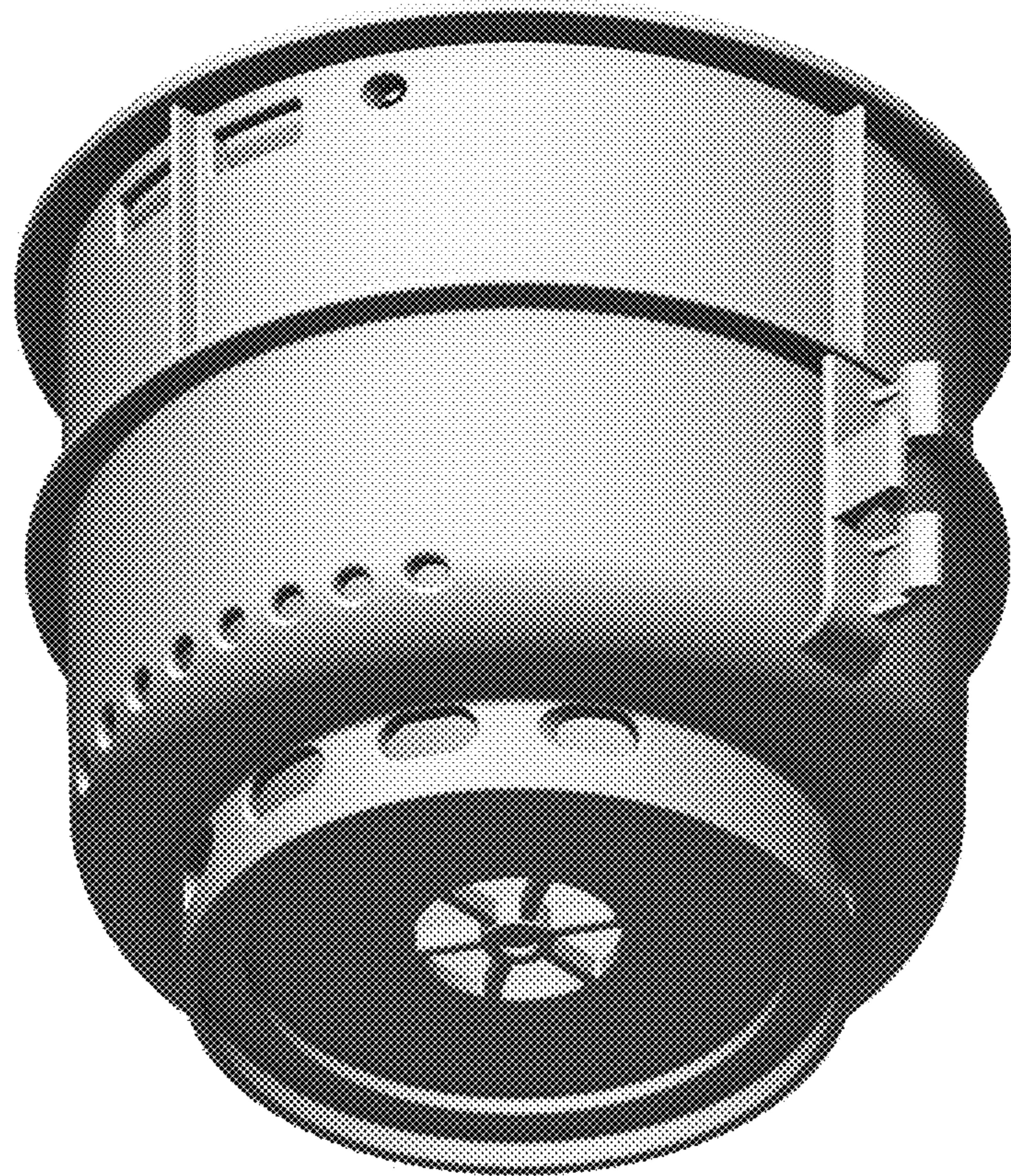


FIG. 2



FIG. 3

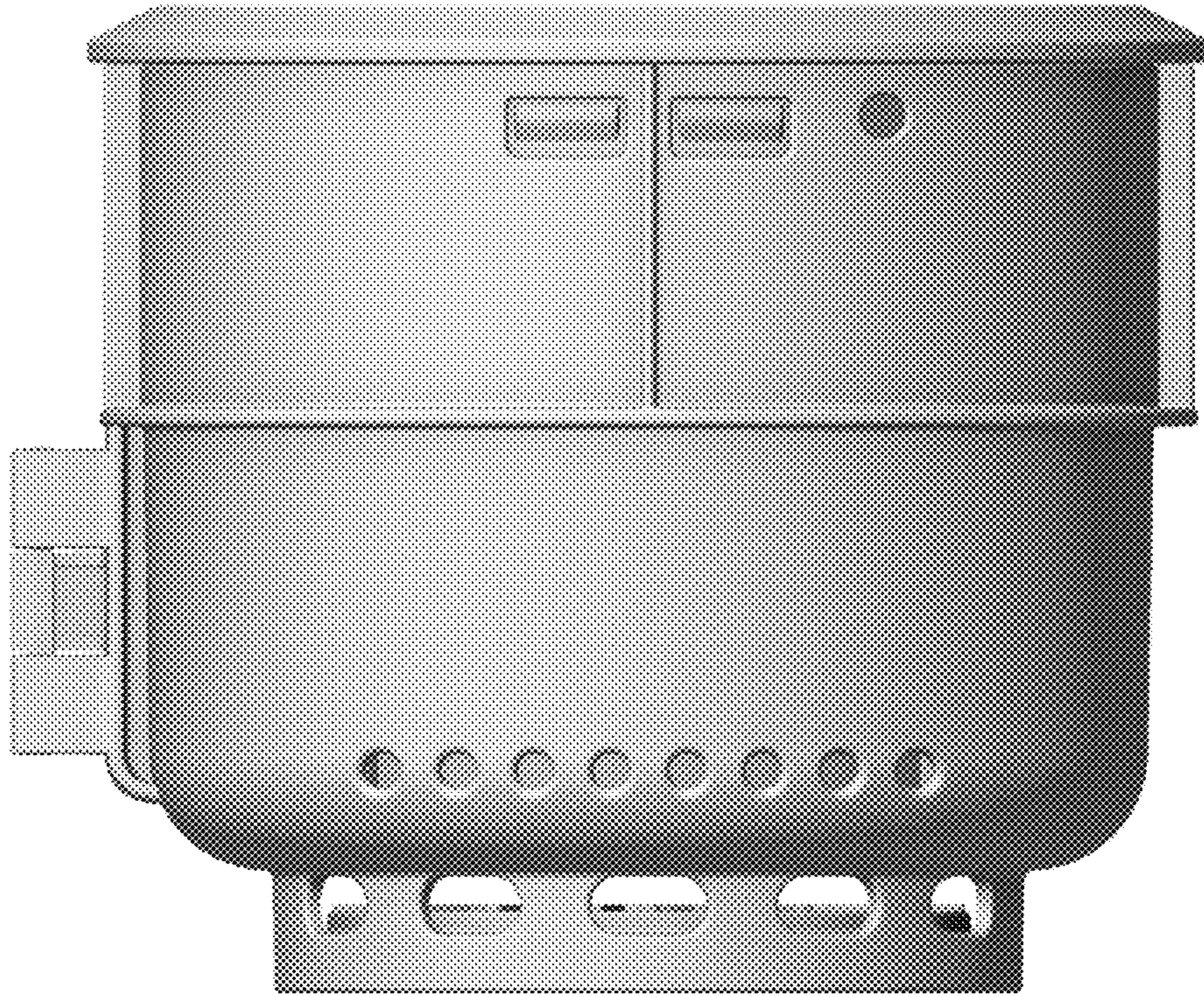


FIG. 4

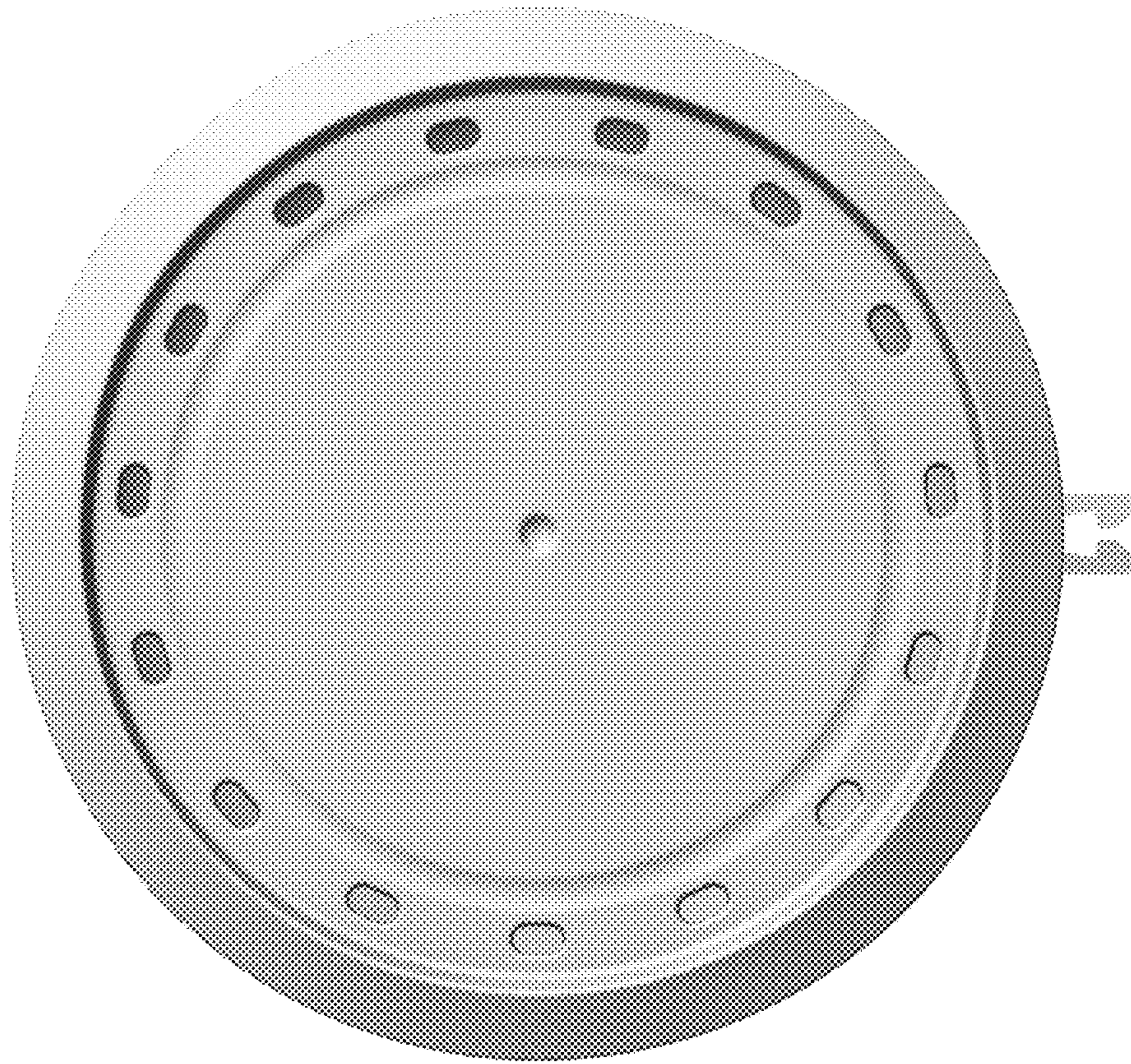


FIG. 5



FIG. 6

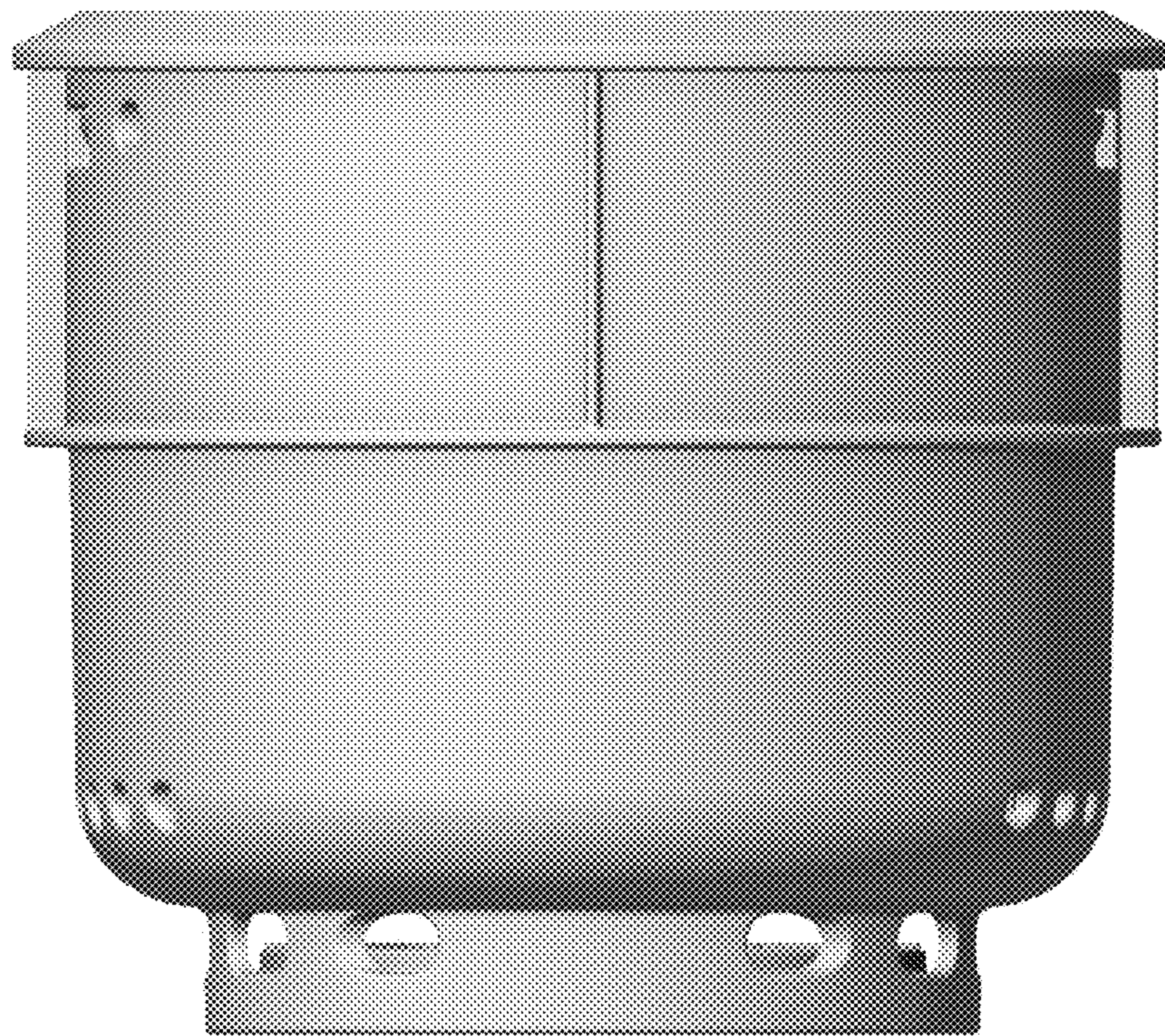


FIG. 7

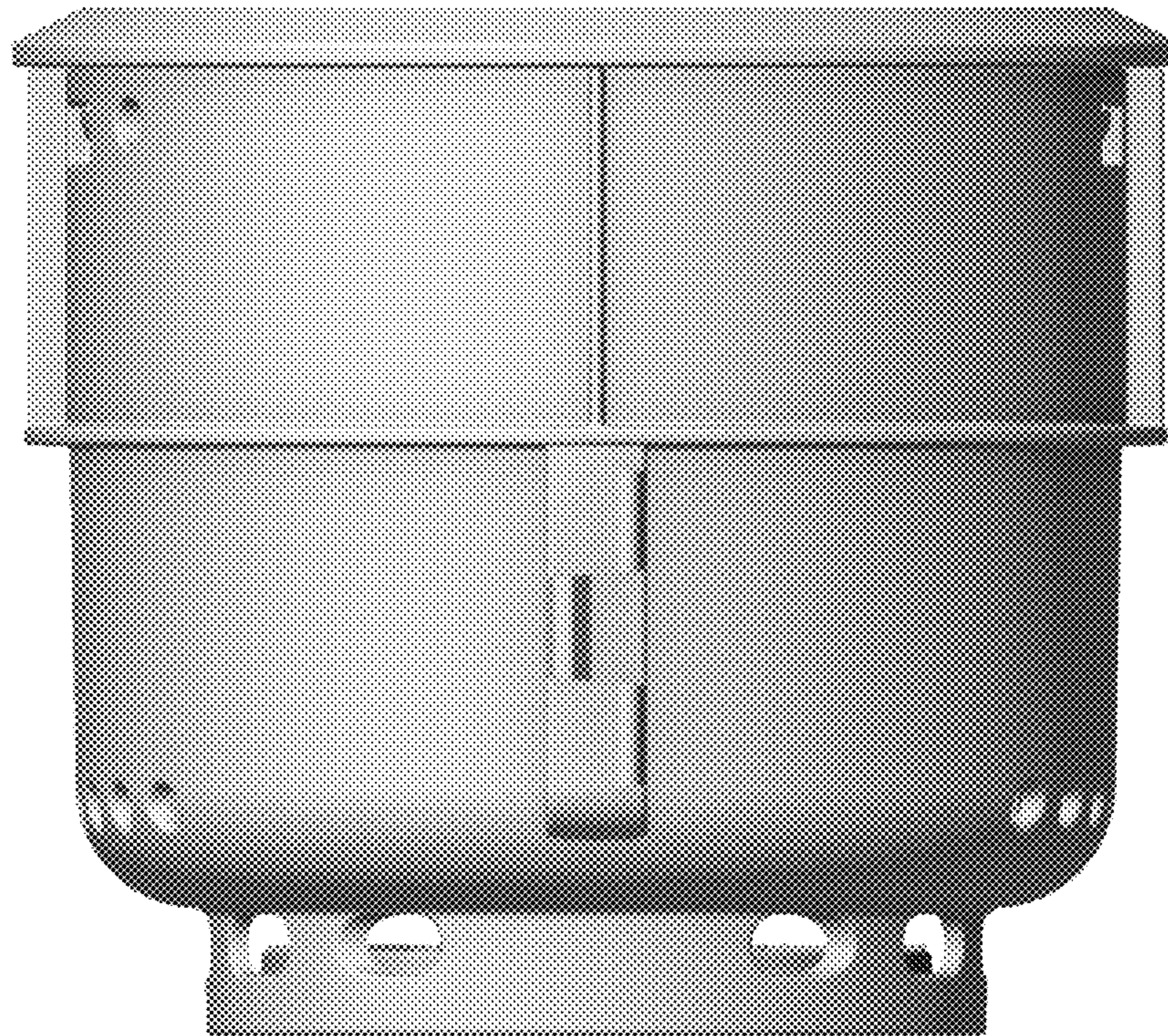


FIG. 8