



US00D908182S

(12) **United States Design Patent**
Galli

(10) **Patent No.:** **US D908,182 S**

(45) **Date of Patent:** **** Jan. 19, 2021**

(54) **FLASHLIGHT**

(71) Applicant: **Emissive Energy Corp.**, North
Kingstown, RI (US)

(72) Inventor: **Robert D. Galli**, North Kingstown, RI
(US)

(73) Assignee: **Emissive Energy Corp.**, North
Kingstown, RI (US)

(**) Term: **15 Years**

(21) Appl. No.: **29/705,231**

(22) Filed: **Sep. 10, 2019**

(51) **LOC (13) Cl.** **22-01**

(52) **U.S. Cl.**
USPC **D22/108**

(58) **Field of Classification Search**
USPC D22/108; D26/24-27, 38, 40, 42, 46-47,
D26/51, 60, 113, 118, 130-133, 136
CPC F41G 1/35; F41G 1/345
See application file for complete search history.

(56) **References Cited**

U.S. PATENT DOCUMENTS

10,088,275 B1 * 10/2018 Warren F41G 1/345
D872,334 S * 1/2020 Fan D26/60

D872,919 S * 1/2020 Fan D26/60
10,619,972 B1 * 4/2020 Glauber F41G 11/003
2018/0283670 A1 * 10/2018 Galli F41G 1/36
2020/0256645 A1 * 8/2020 Galli F41G 1/35

* cited by examiner

Primary Examiner — Michael A. Pratt

(74) *Attorney, Agent, or Firm* — Barlow, Josephs &
Holmes, Ltd.

(57) **CLAIM**

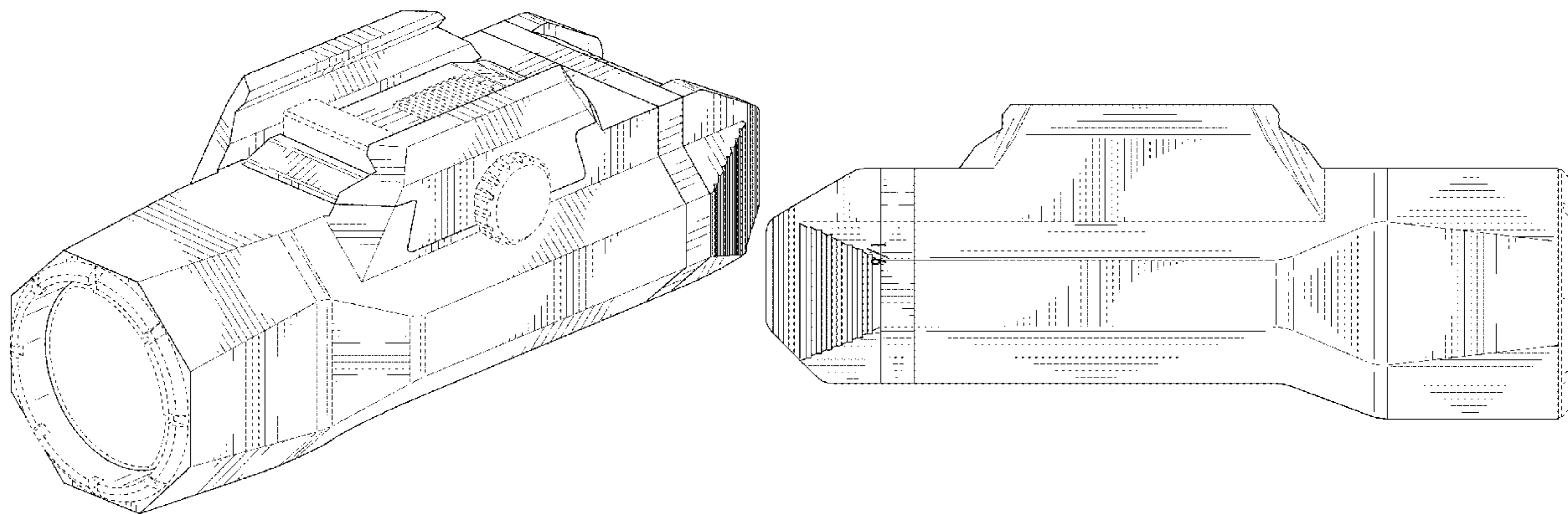
The ornamental design for a flashlight, as shown and
described.

DESCRIPTION

FIG. 1 is a perspective view of a flashlight in accordance
with the present design;
FIG. 2 is a right side view thereof;
FIG. 3 is a left side view thereof;
FIG. 4 is a rear view thereof;
FIG. 5 is a front view thereof;
FIG. 6 is a top view thereof; and,
FIG. 7 is a bottom view thereof.

The broken line showing of the flashlight is included for the
purpose of illustrating portions that forms no part of the
claimed design.

1 Claim, 6 Drawing Sheets



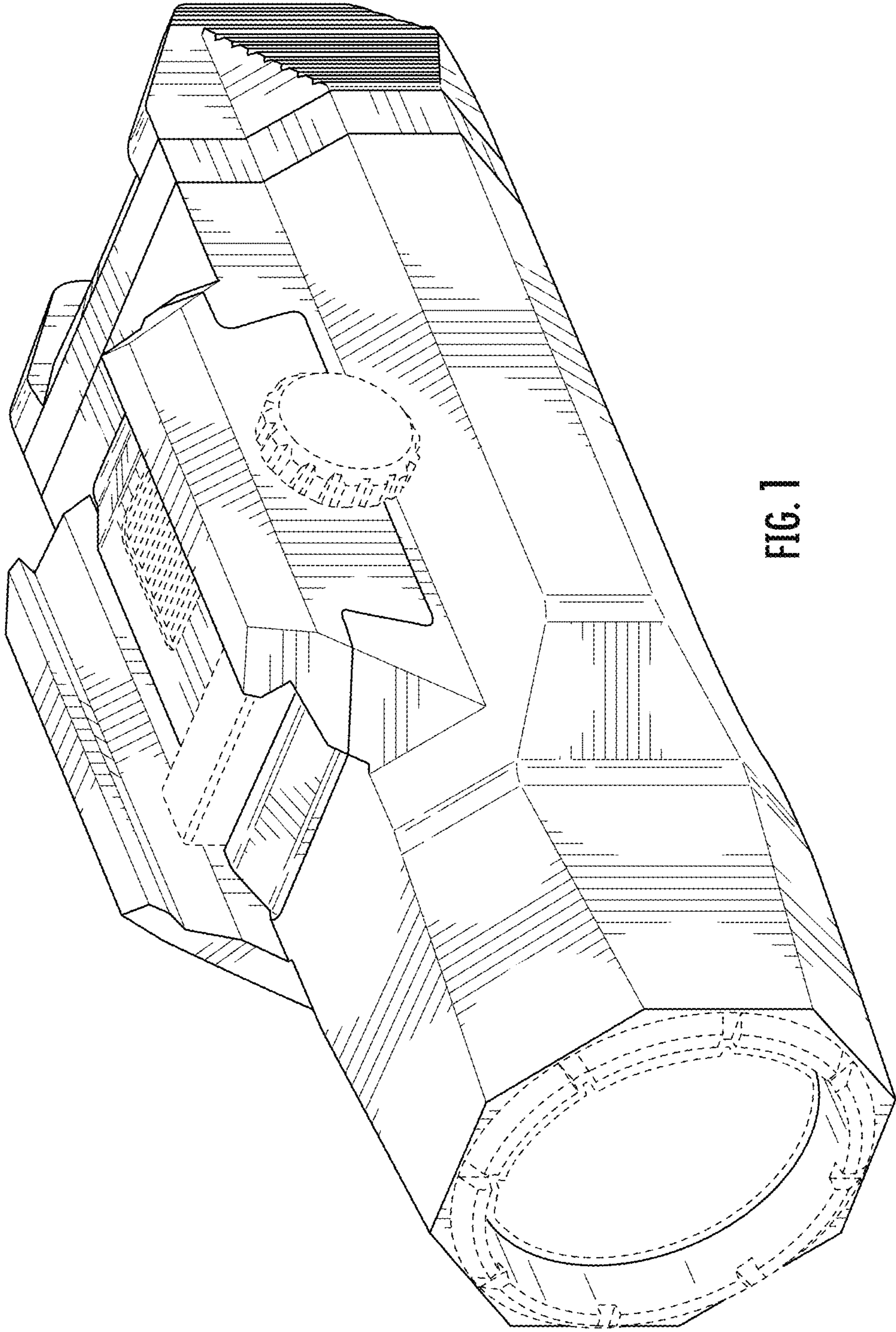


FIG. 1

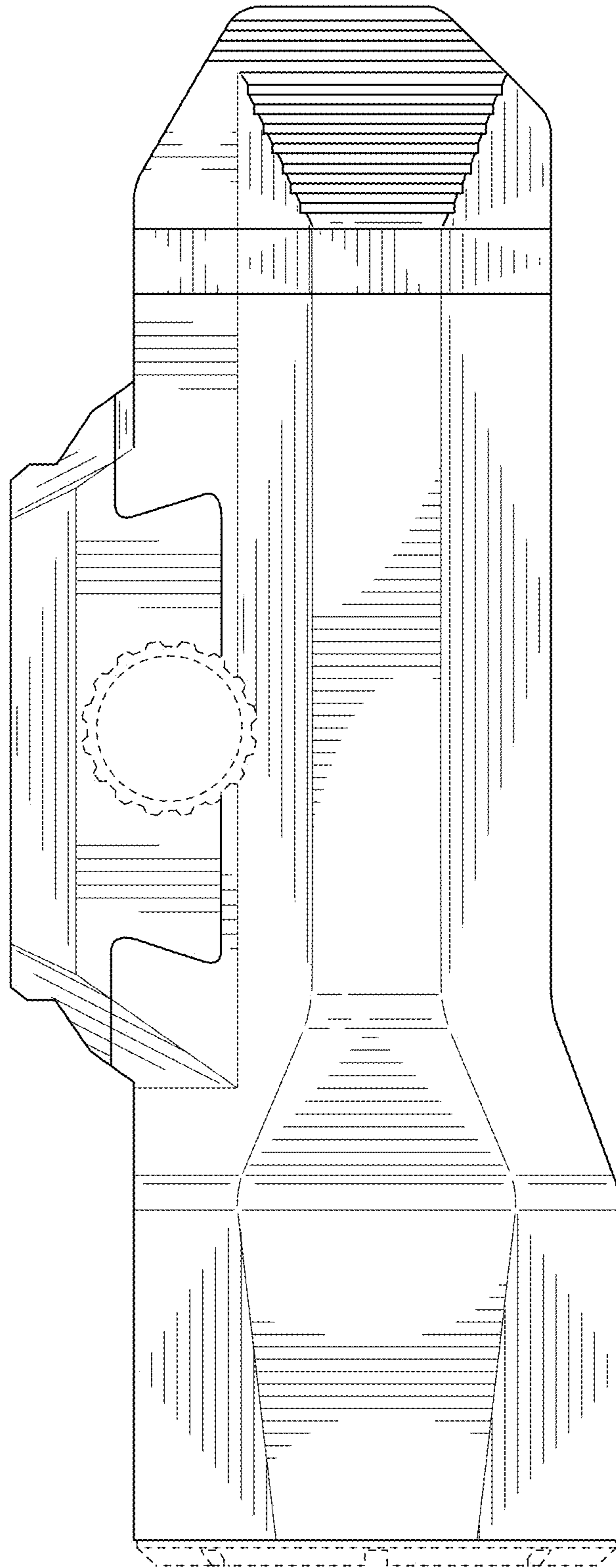


FIG. 2

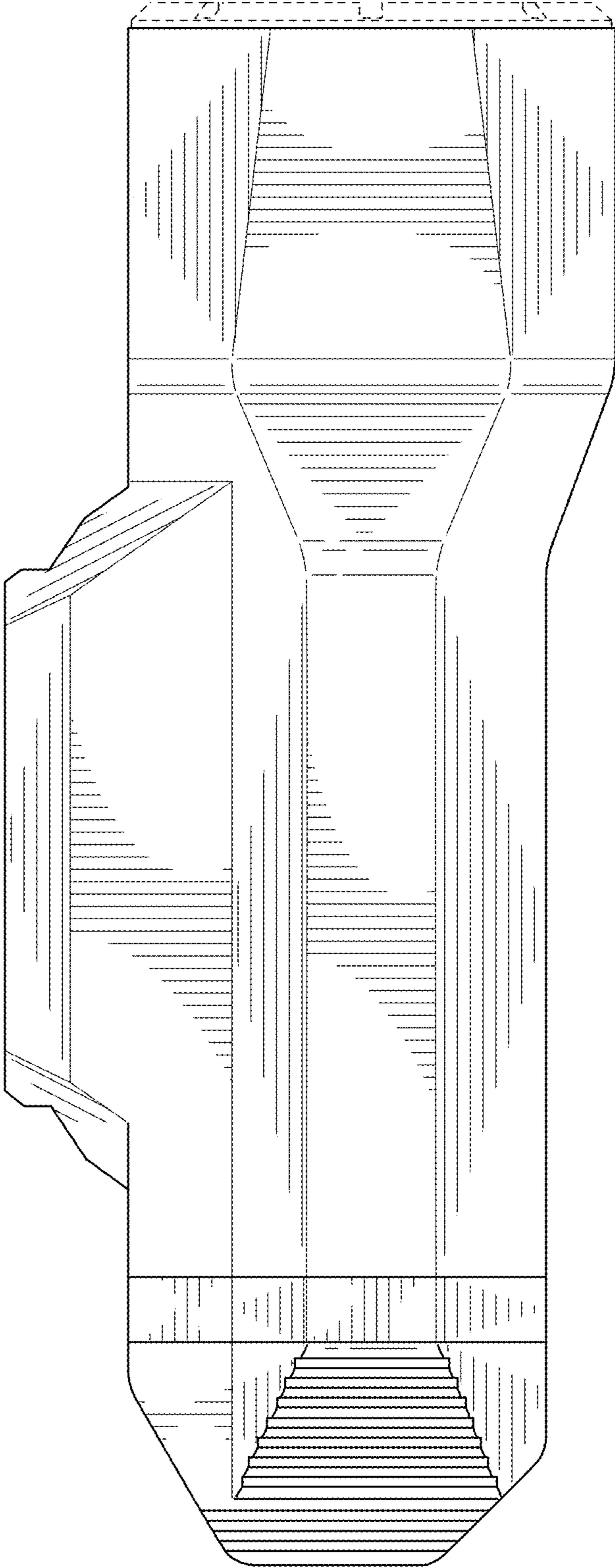


FIG. 3

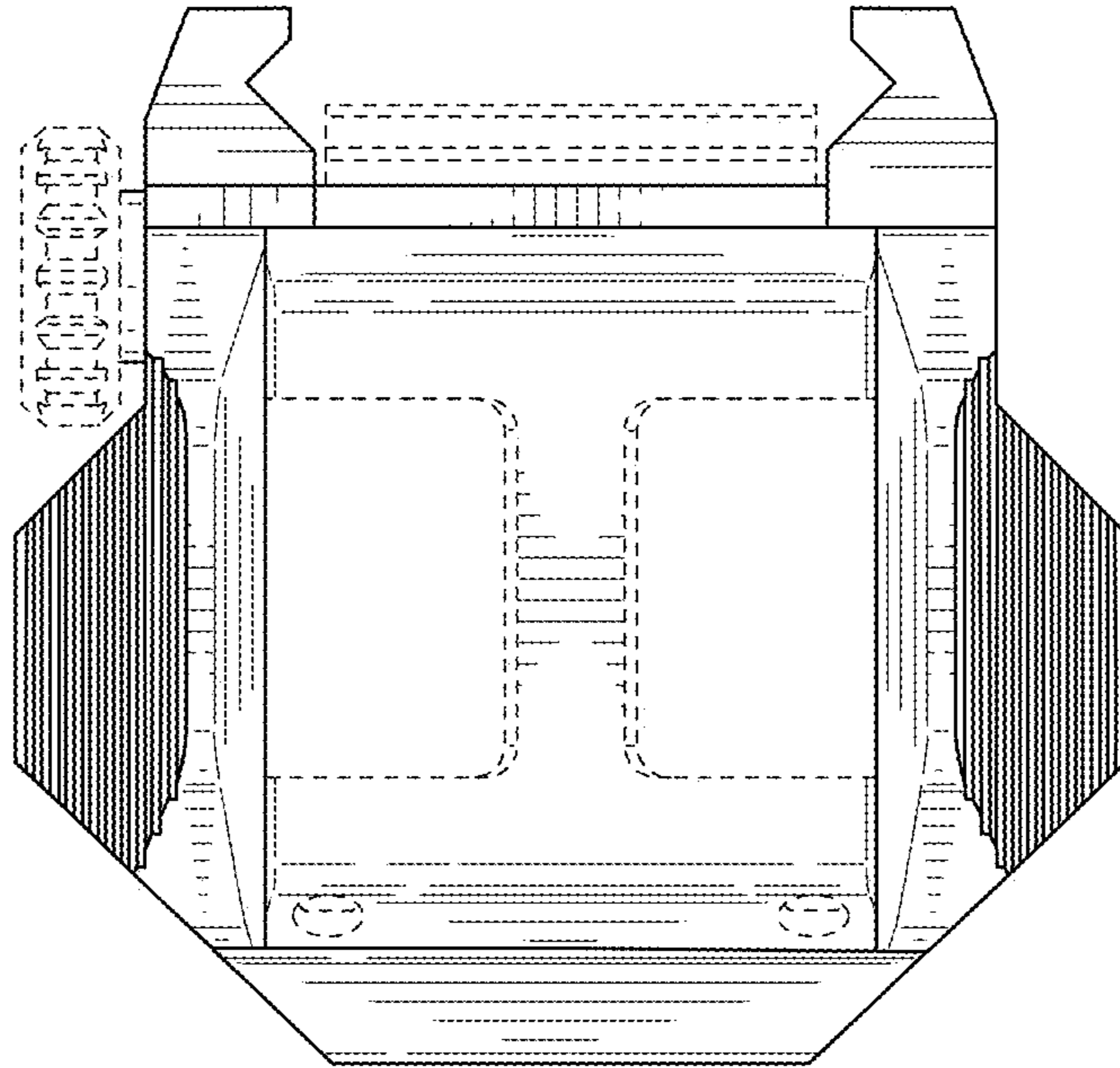


FIG. 4

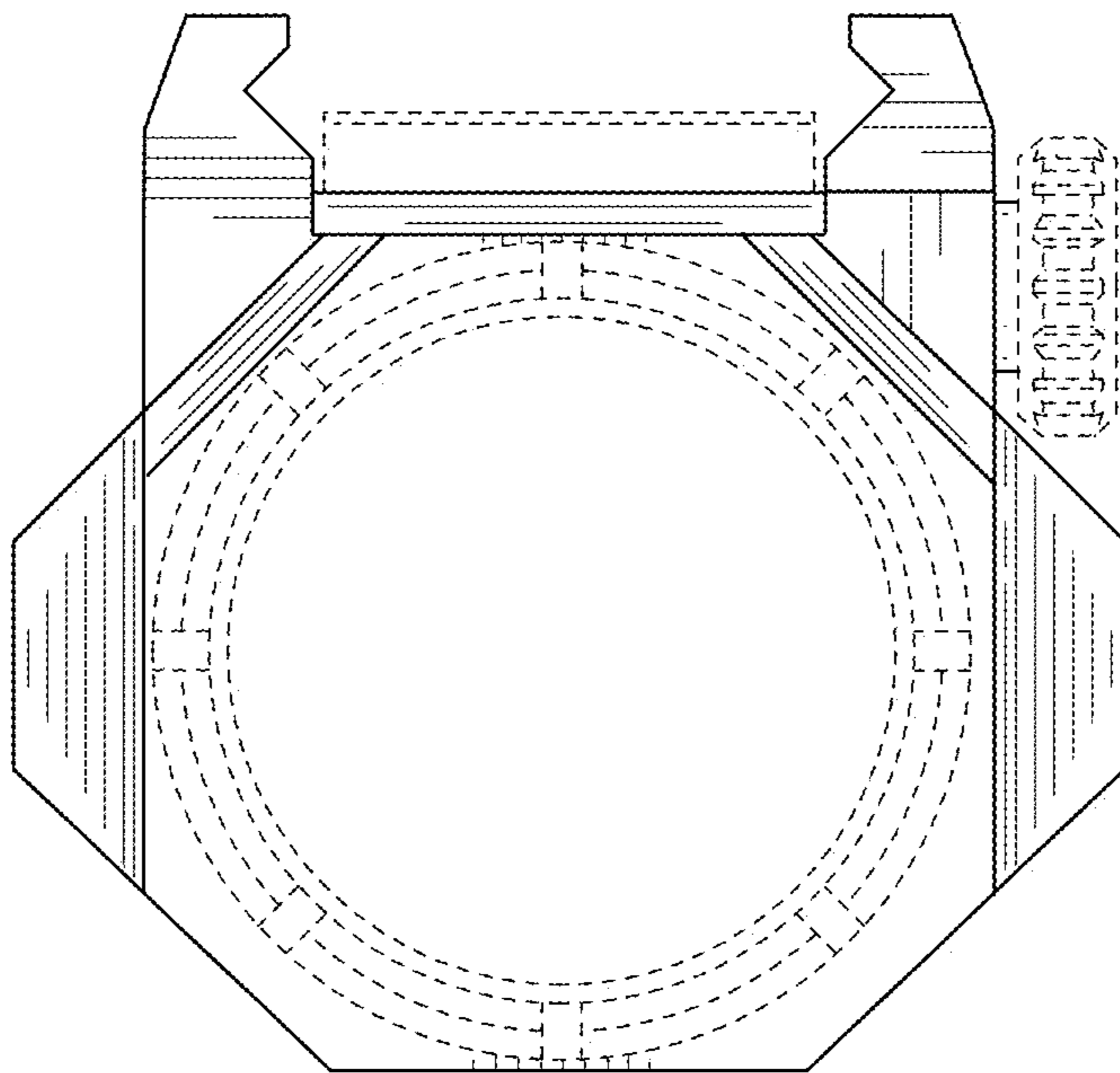


FIG. 5

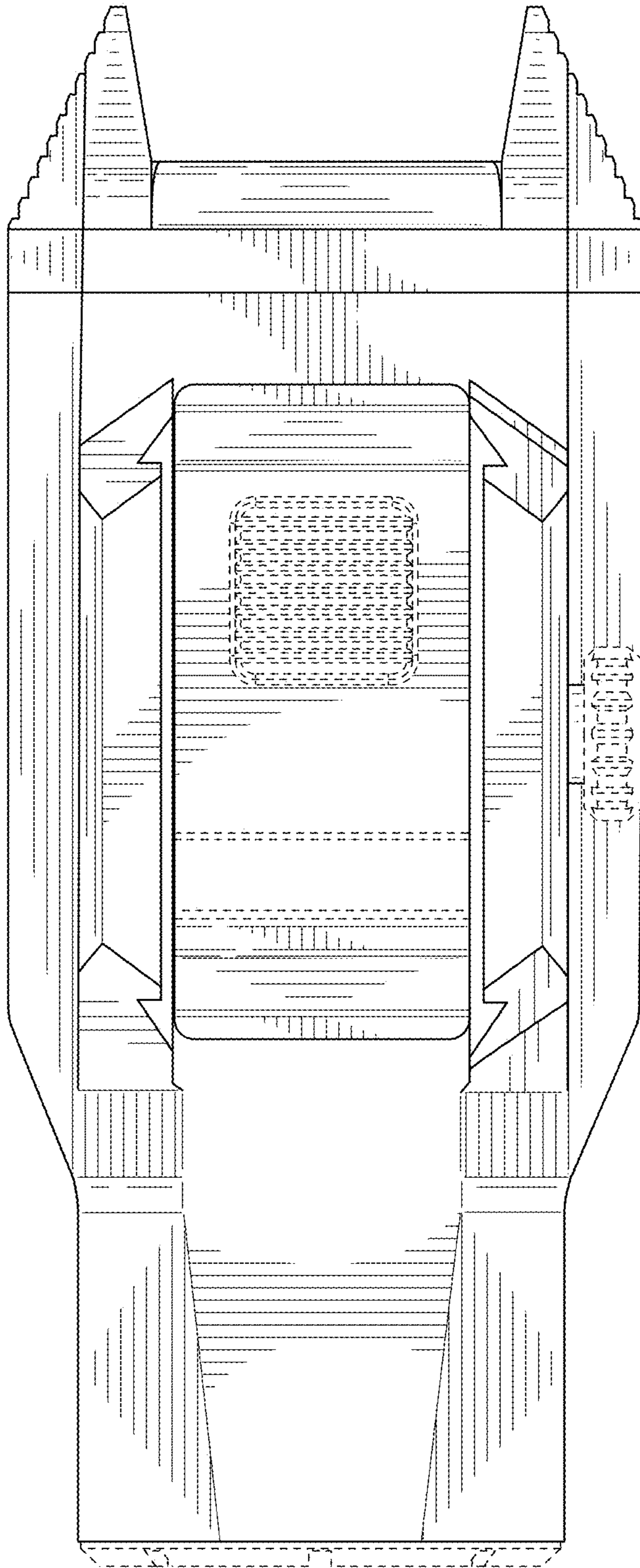


FIG. 6

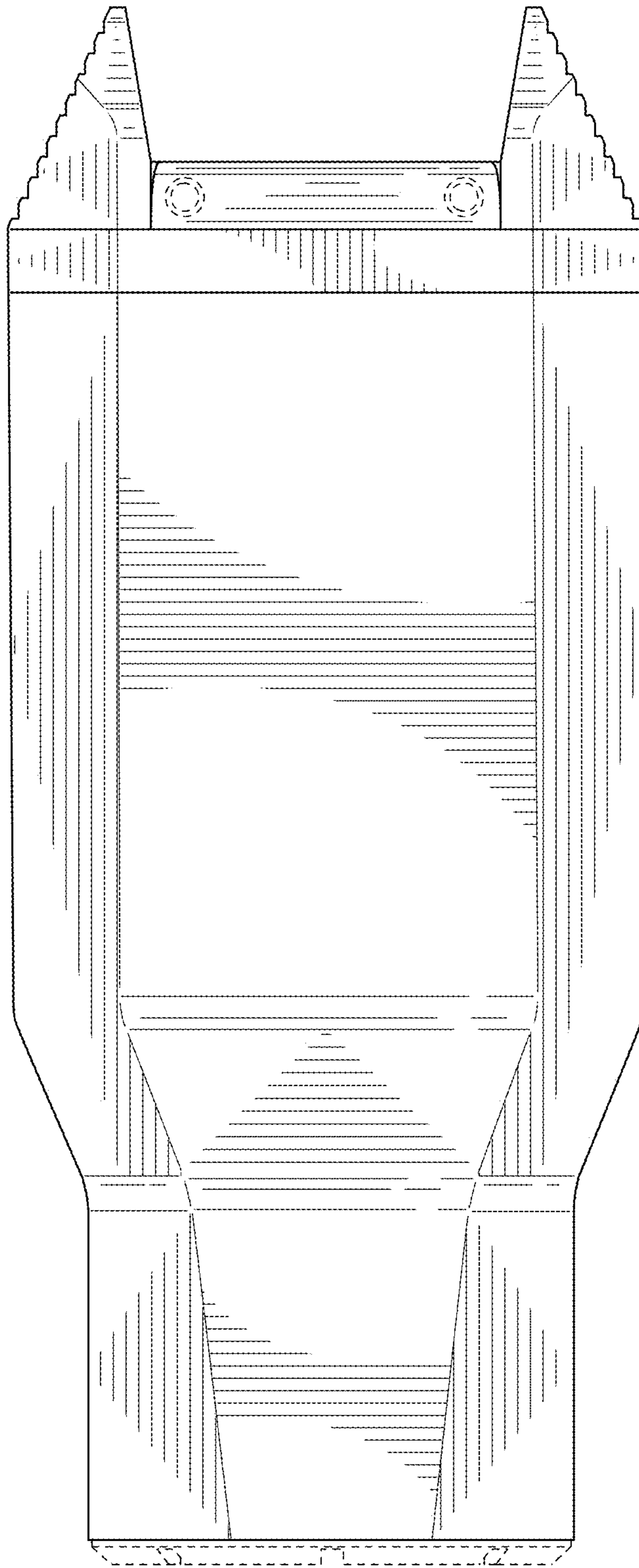


FIG. 7