



US00D908179S

(12) **United States Design Patent**  
**Hsieh**

(10) **Patent No.:** **US D908,179 S**  
(45) **Date of Patent:** **\*\* Jan. 19, 2021**

(54) **MINI STEPPER WITH FLAT STEPS**

(71) Applicant: **Paul Hsieh**, City of Industry, CA (US)

(72) Inventor: **Paul Hsieh**, City of Industry, CA (US)

(\*\*) Term: **15 Years**

(21) Appl. No.: **29/692,203**

(22) Filed: **May 23, 2019**

**Related U.S. Application Data**

(63) Continuation of application No. 29/680,582, filed on Feb. 18, 2019.

(51) **LOC (13) Cl.** ..... **21-02**

(52) **U.S. Cl.**  
USPC ..... **D21/670**

(58) **Field of Classification Search**  
USPC ..... D21/673, 675, 679, 680, 685, 686, 688,  
D21/694, 670; D24/192, 212  
CPC .. A61H 15/00; A61H 2205/12; A61H 1/0266;  
A63B 21/4037; A63B 22/14  
See application file for complete search history.

(56) **References Cited**

**U.S. PATENT DOCUMENTS**

- 4,159,111 A \* 6/1979 Lowth ..... A63B 22/0056  
482/80
- D281,343 S 11/1985 Krive
- D317,959 S \* 7/1991 Francis ..... D21/673
- 5,230,675 A 7/1993 Lin
- 5,232,421 A 8/1993 Chen et al.
- 5,256,118 A 10/1993 Chen
- 5,267,923 A \* 12/1993 Piaget ..... A63B 21/0085  
482/52
- 5,277,677 A 1/1994 Terauds
- 5,290,204 A \* 3/1994 Lee ..... A63B 22/0056  
482/112
- 5,290,211 A 3/1994 Stearns

- D348,708 S 7/1994 Chen
- D349,542 S 8/1994 Russell
- 5,407,407 A 4/1995 Lin
- 5,628,709 A 5/1997 Chen
- 5,676,623 A 10/1997 Yu
- D390,020 S \* 2/1998 Huang ..... D24/212
- 5,766,113 A 6/1998 Rodgers, Jr.
- 5,865,712 A 2/1999 Chang
- 6,315,697 B1 \* 11/2001 Chen ..... A63B 22/0056  
482/146
- D456,052 S \* 4/2002 Steves ..... D21/668
- D461,211 S 8/2002 Kuo
- D465,001 S 10/2002 Chiang-Chow
- D466,567 S 12/2002 Chen et al.
- D474,818 S \* 5/2003 Yu ..... D21/662
- D481,085 S 10/2003 Ben-Moshe

(Continued)

*Primary Examiner* — Cynthia Ramirez

*Assistant Examiner* — Michael A Maharajh

(74) *Attorney, Agent, or Firm* — Kirk A. Buhler; Buhler & Associates Patenting

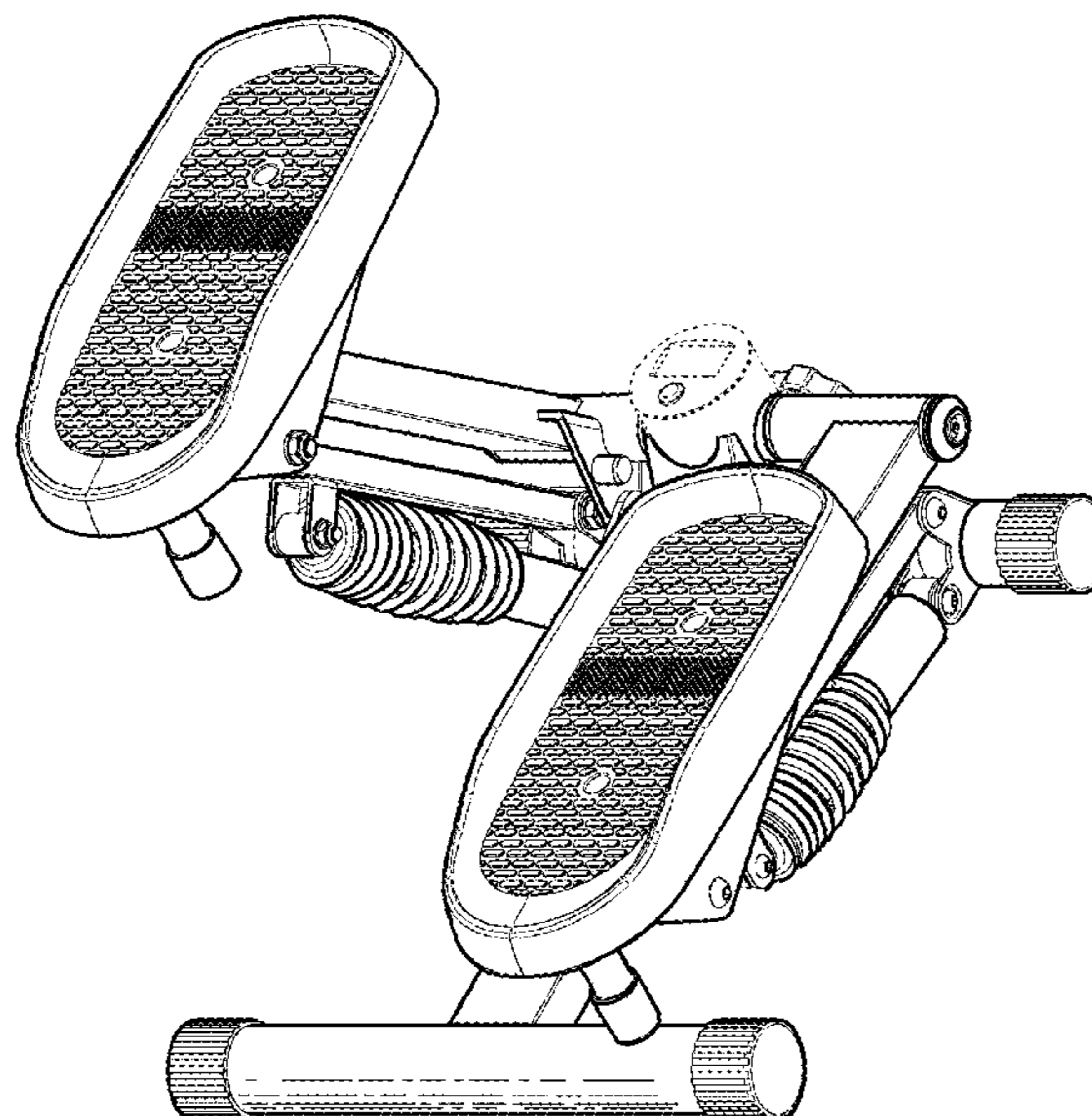
(57) **CLAIM**

The ornamental design for a mini stepper with flat steps, as shown and described.

**DESCRIPTION**

FIG. 1 is a top front perspective view of a mini stepper with flat steps, showing my new design;  
 FIG. 2 is a top plan view thereof;  
 FIG. 3 is a bottom view thereof;  
 FIG. 4 is a left side elevation view thereof;  
 FIG. 5 is a right side elevation view thereof;  
 FIG. 6 is a front elevation view thereof;  
 FIG. 7 is a rear elevation view thereof; and,  
 FIG. 8 is a lower front perspective view.  
 The broken lines shown in the figures are for the purpose of illustrating portions of the mini stepper with flat steps, which form no part of the claimed design.

**1 Claim, 5 Drawing Sheets**



(56)

References Cited

U.S. PATENT DOCUMENTS

6,709,367 B1 *	3/2004	Liang	.....	A63B 22/0058	482/146	2003/0199365 A1 *	10/2003	Hong	.....	A63B 21/0083	482/53
6,709,368 B1	3/2004	Chue				2003/0216224 A1 *	11/2003	Chuang	.....	A63B 22/0056	482/53
D496,700 S	9/2004	Chen				2005/0064996 A1	3/2005	Chen			
D498,506 S *	11/2004	Yu	.....	D21/668		2005/0227818 A1 *	10/2005	Liao	.....	A63B 21/4047	482/53
6,830,539 B2	12/2004	Chuang				2006/0019801 A1 *	1/2006	Zeng	.....	A63B 22/0064	482/52
D514,635 S	2/2006	Hsiao				2006/0100557 A1 *	5/2006	Huang	.....	A61H 15/0078	601/28
D519,583 S	4/2006	Chen				2007/0254782 A1 *	11/2007	Chen	.....	A63B 22/0056	482/53
D561,849 S *	2/2008	Piaget	.....	D21/670		2008/0194387 A1 *	8/2008	Chuang	.....	A63B 22/0012	482/52
D575,363 S *	8/2008	Horita	.....	D21/694		2009/0291808 A1 *	11/2009	Chen	.....	A63B 23/0429	482/52
7,878,960 B1 *	2/2011	Liu	.....	A63B 22/14	482/146	2010/0179036 A1 *	7/2010	Wang	.....	A63B 21/008	482/112
D639,872 S *	6/2011	Chiang	.....	D21/670		2010/0248923 A1 *	9/2010	Lo	.....	A63B 22/0058	482/146
D648,814 S *	11/2011	Chen	.....	D21/694		2011/0077131 A1 *	3/2011	Chiang	.....	A63B 22/0056	482/52
8,277,366 B2	10/2012	Savane				2017/0136292 A1 *	5/2017	Lee	.....	A63B 21/4037	
D684,222 S	6/2013	Kim				2017/0252603 A1 *	9/2017	Wu	.....	A63B 21/159	
D720,819 S *	1/2015	Prats	.....	D21/670							
D771,204 S *	11/2016	Ho	.....	D21/668							
D781,383 S *	3/2017	Ho	.....	D21/670							
D781,384 S *	3/2017	Ho	.....	D21/670							
D795,364 S *	8/2017	Chang	.....	D21/670							
D887,504 S *	6/2020	Mathew	.....	D21/685							
2003/0064864 A1 *	4/2003	Tang	.....	A63B 22/14	482/52						

\* cited by examiner



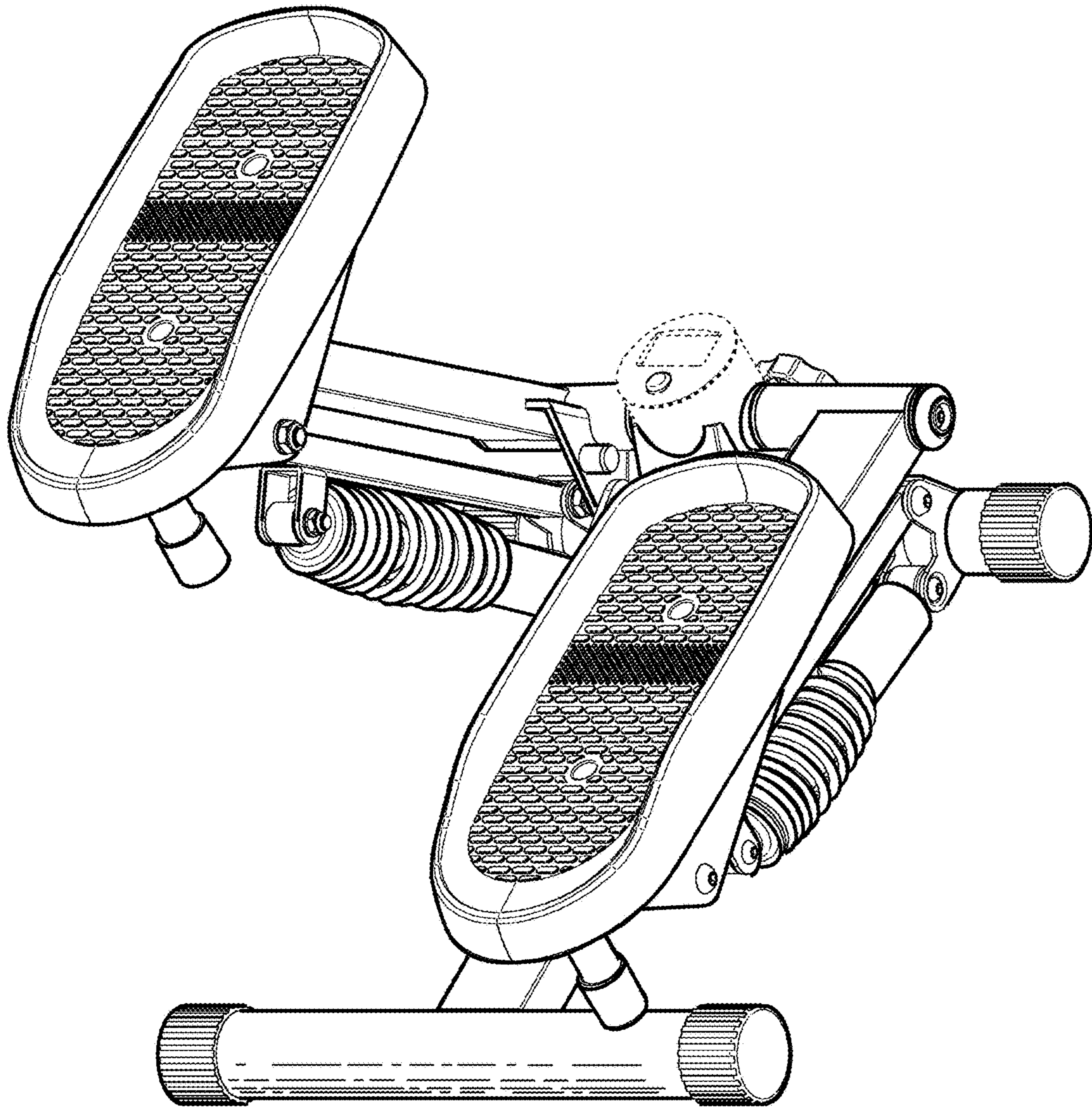


FIG. 1

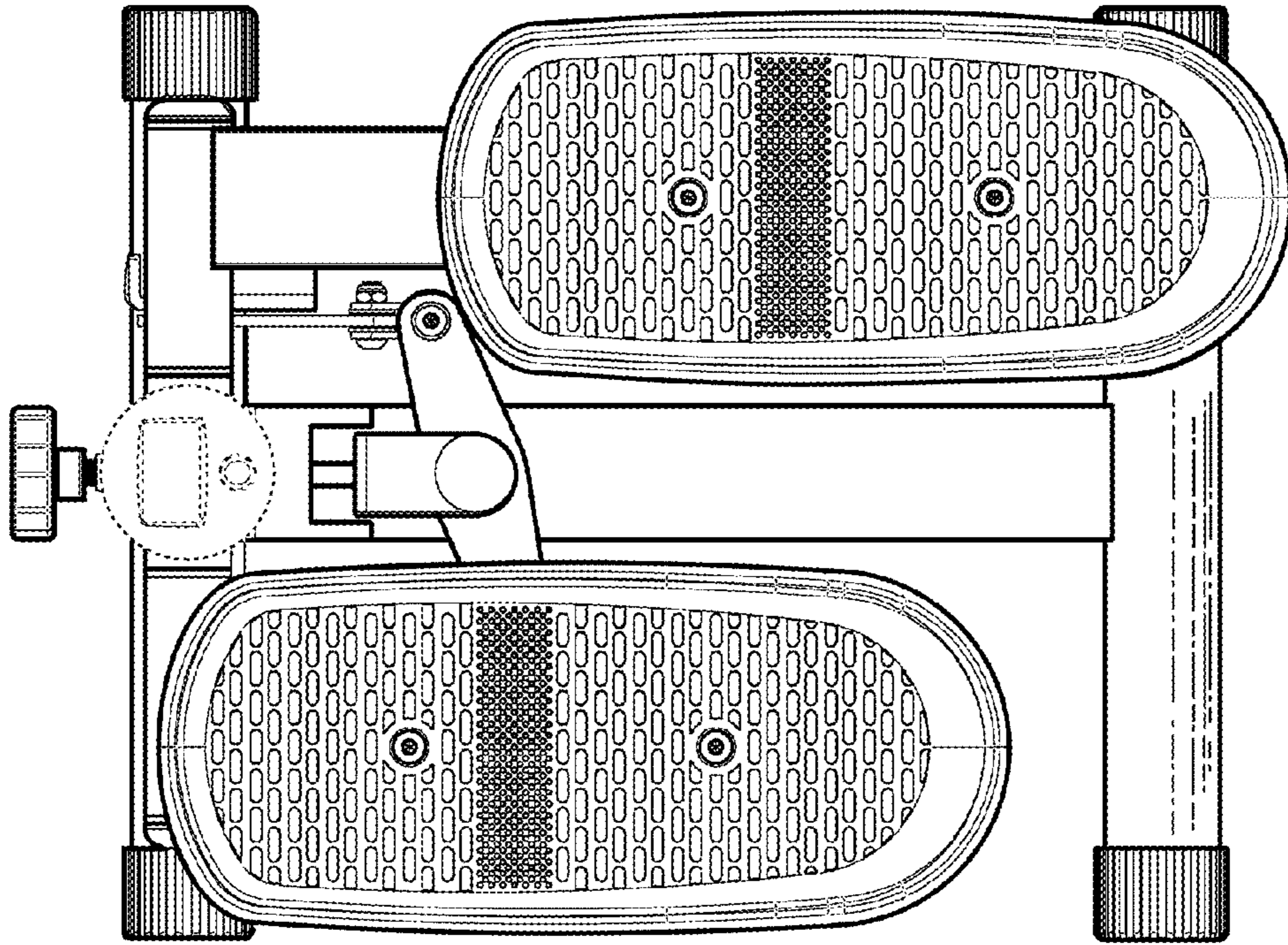


FIG. 2

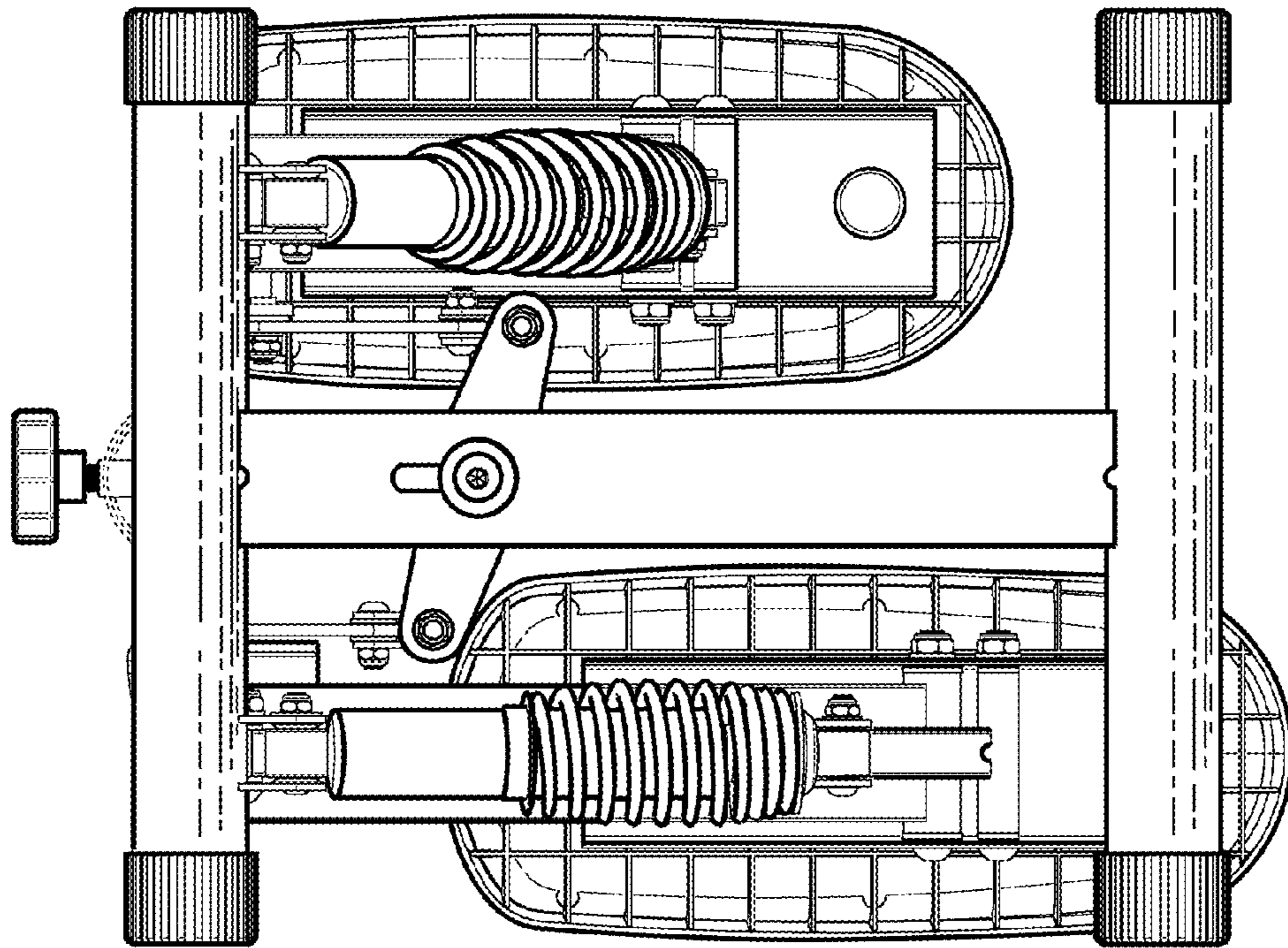


FIG. 3



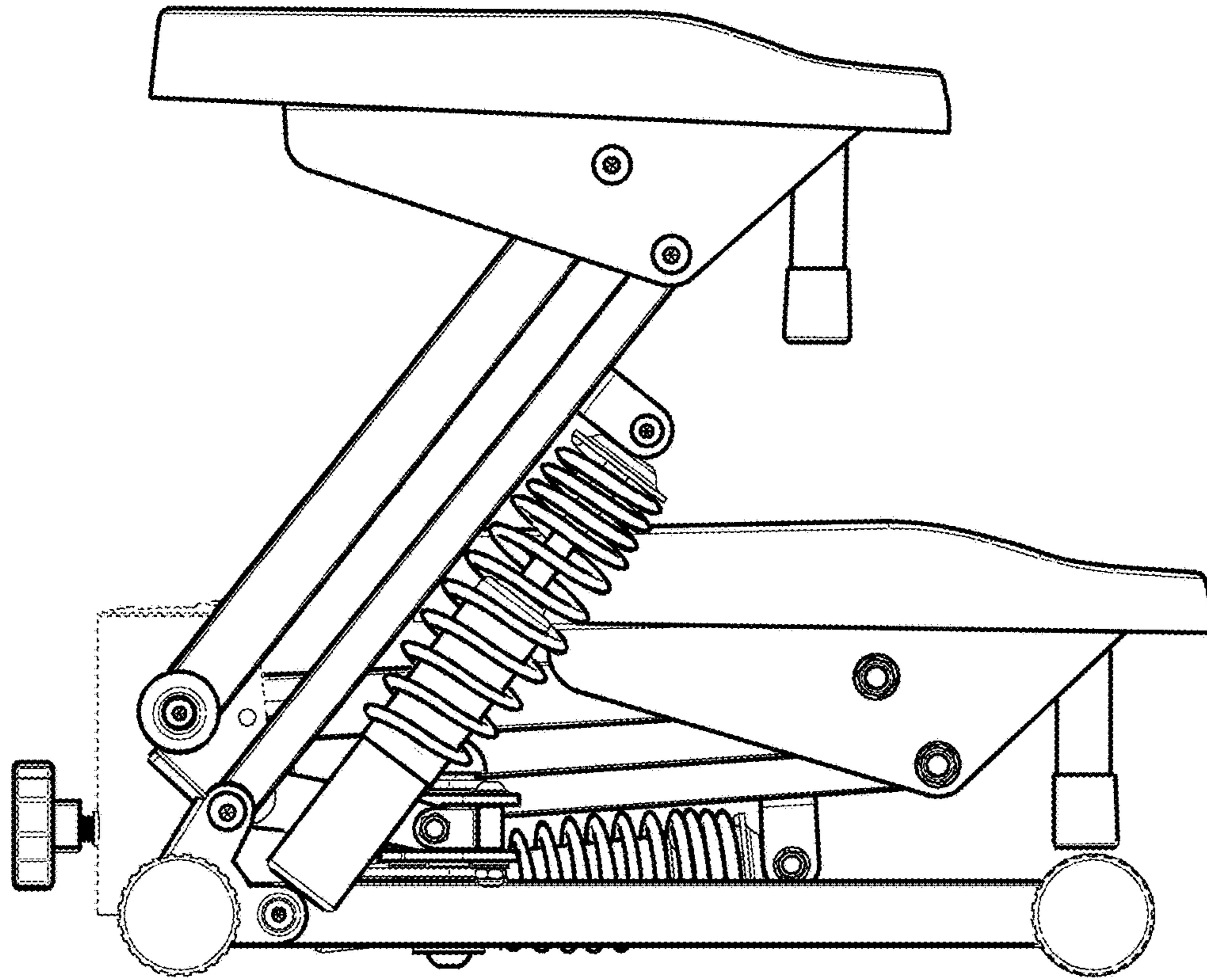


FIG. 4

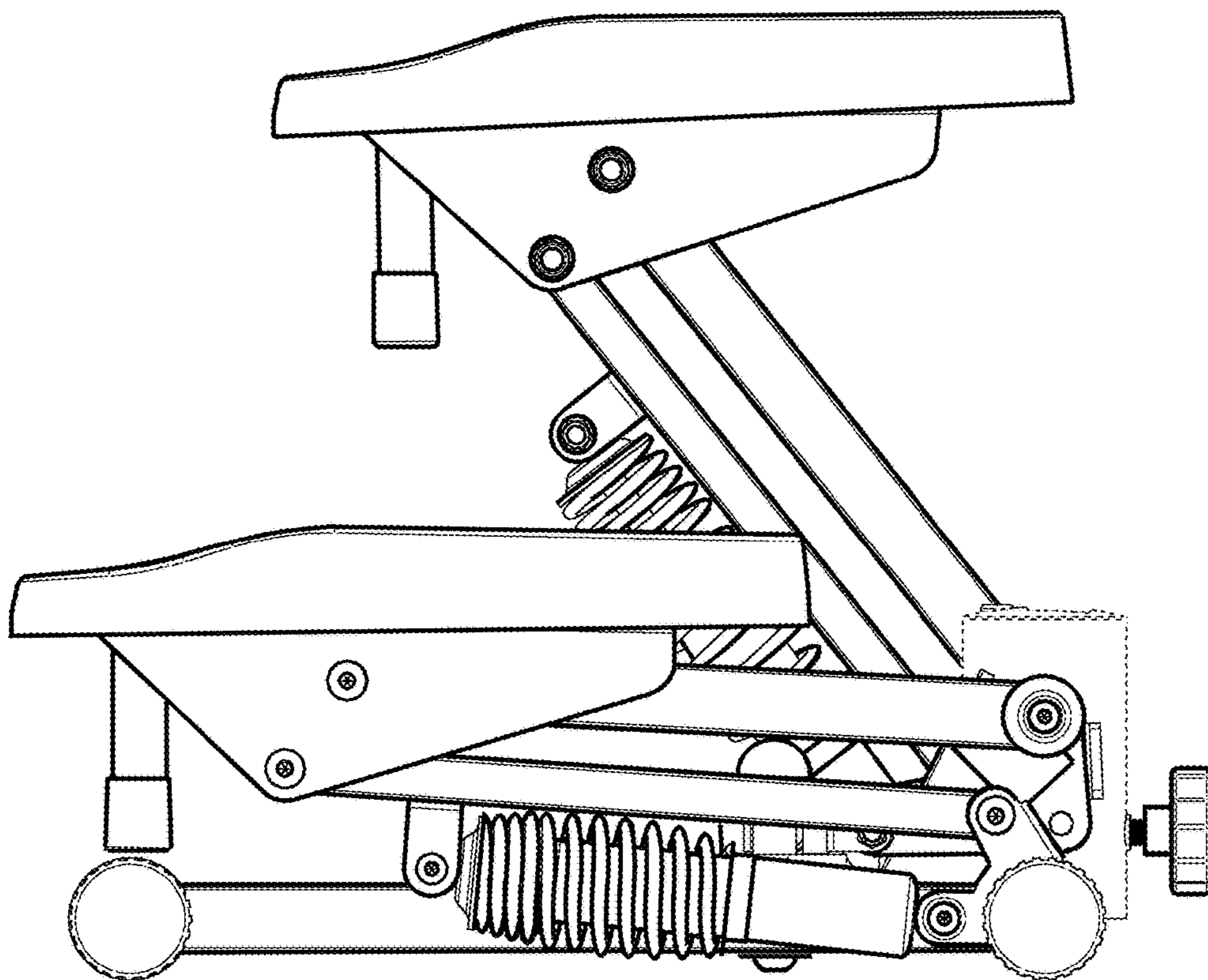


FIG. 5

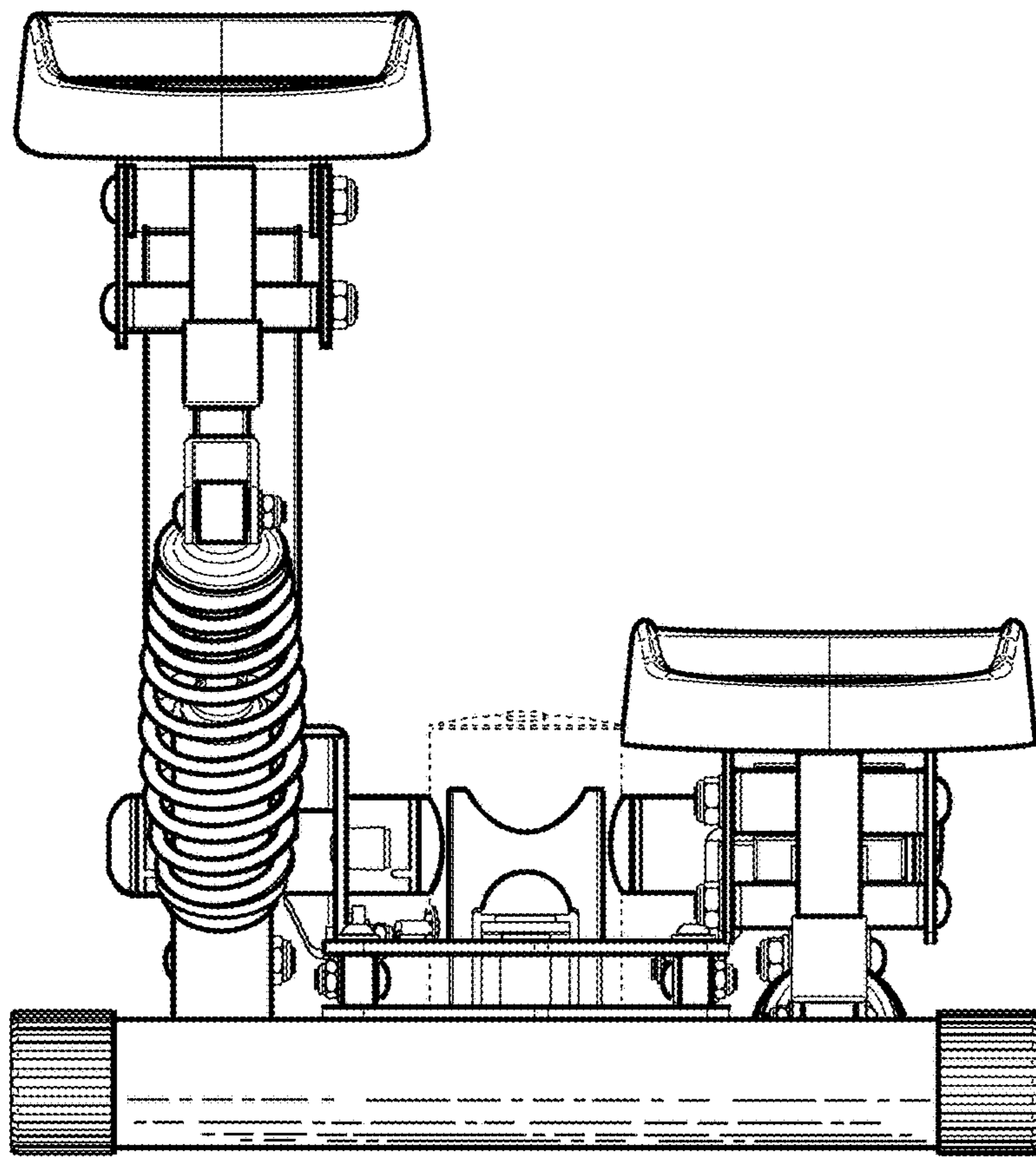


FIG. 6

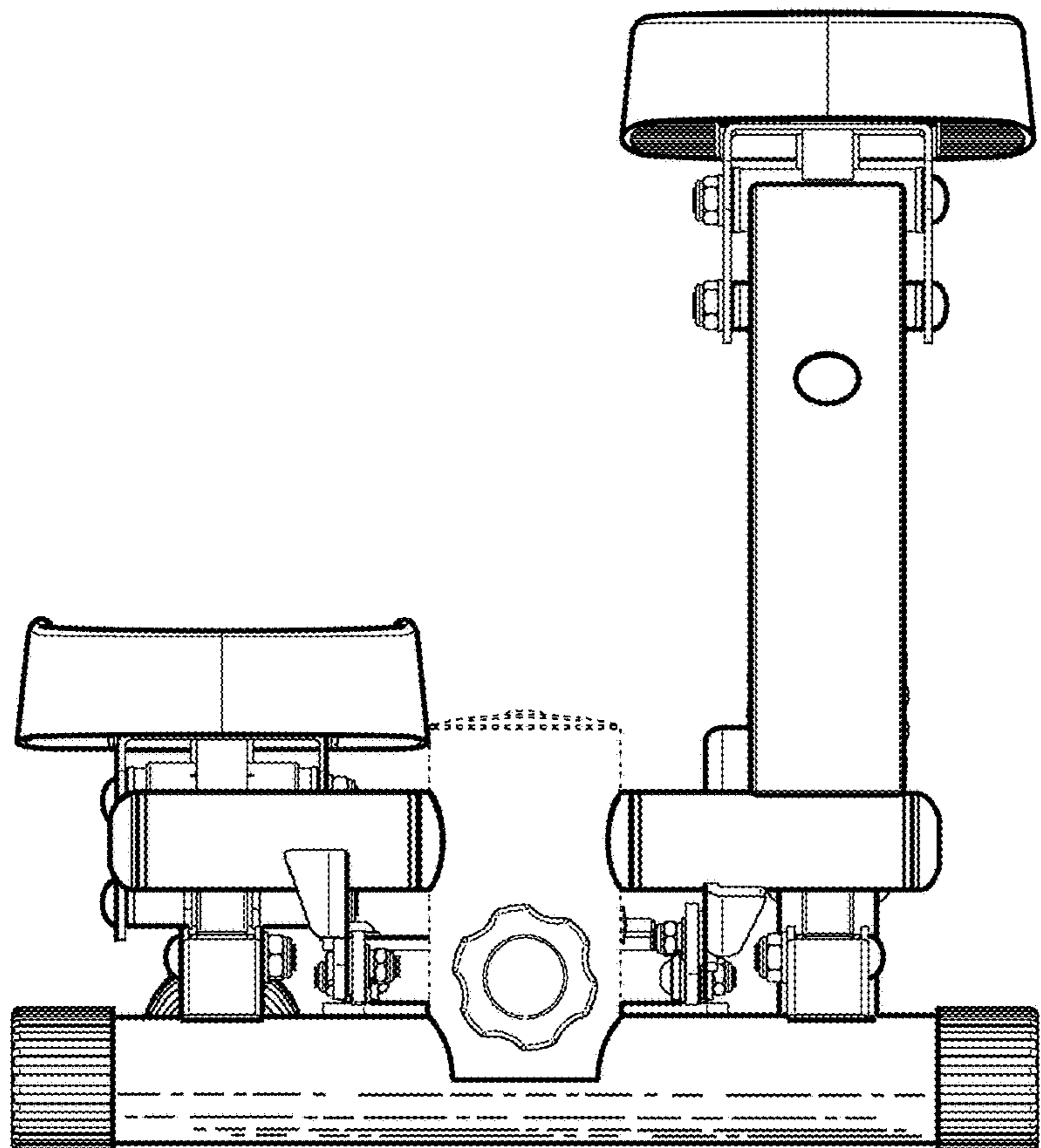


FIG. 7



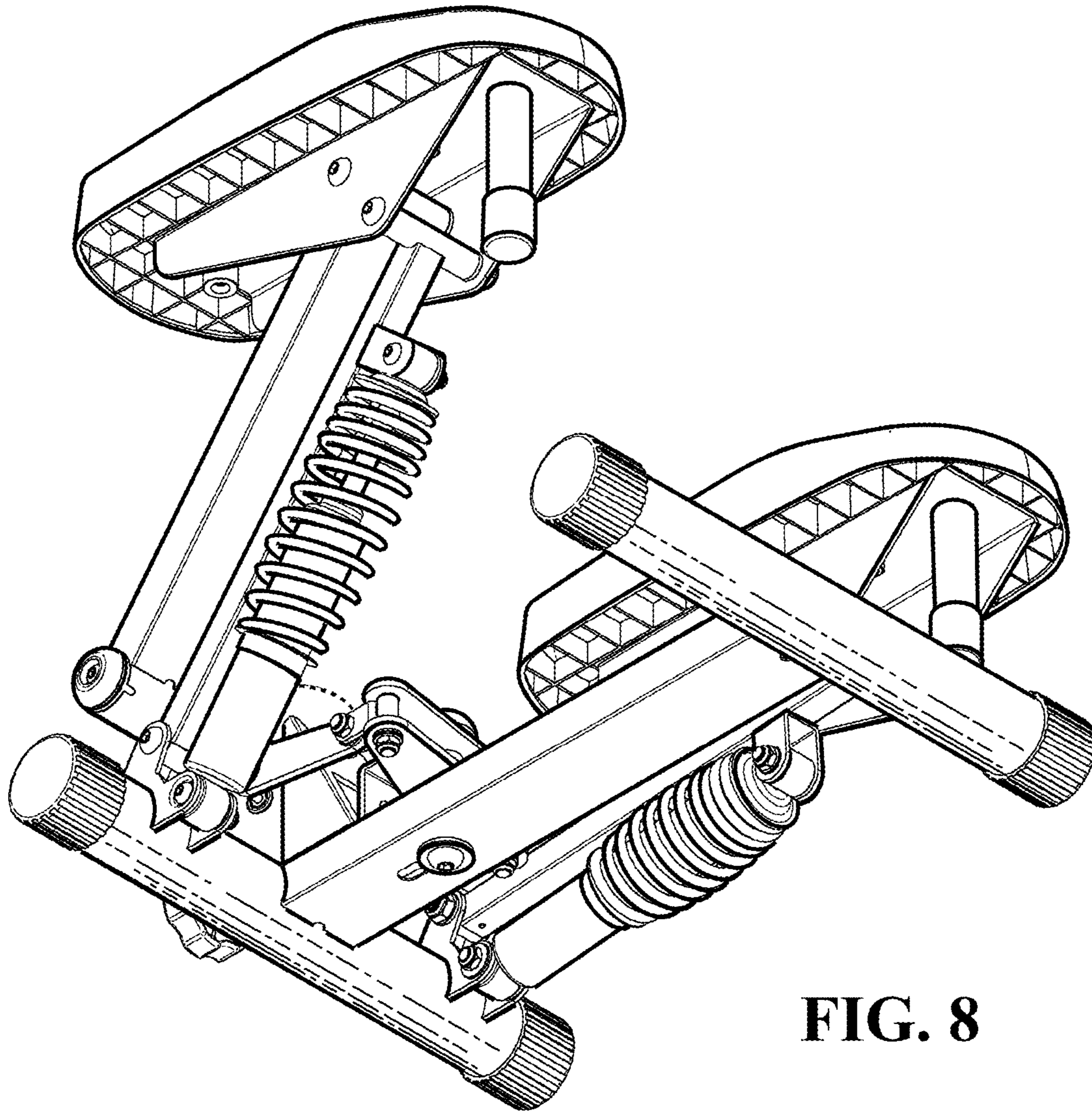


FIG. 8