



US00D908178S

(12) **United States Design Patent**
Lee

(10) **Patent No.:** **US D908,178 S**

(45) **Date of Patent:** **** Jan. 19, 2021**

(54) **TOY ROBOT**

(71) Applicant: **Wen Hsien Lee**, New Taipei (TW)

(72) Inventor: **Wen Hsien Lee**, New Taipei (TW)

(**) Term: **15 Years**

(21) Appl. No.: **29/707,284**

(22) Filed: **Sep. 27, 2019**

(51) **LOC (13) Cl.** **21-01**

(52) **U.S. Cl.**
USPC **D21/578**

(58) **Field of Classification Search**
USPC D21/578-583, 621-622
CPC B25J 9/0006; B25J 9/0009; B25J 9/0003;
B25J 9/00

See application file for complete search history.

(56) **References Cited**

U.S. PATENT DOCUMENTS

4,673,371	A	*	6/1987	Furukawa	A63H 11/00	446/175
D292,223	S	*	10/1987	Trumbull	D21/578	
D296,347	S	*	6/1988	Kanoh	D21/578	
D298,766	S	*	11/1988	Tanno	D21/578	
D458,319	S	*	6/2002	Koshiishi	D21/578	
D464,090	S	*	10/2002	Hornsby	D21/578	
D713,477	S	*	9/2014	Lee	D21/578	

D715,379	S	*	10/2014	Kitamura	A63H 3/00	D21/578
D715,380	S	*	10/2014	Ito	A63H 3/00	D21/578
D811,491	S	*	2/2018	Lee	D21/528	
D837,854	S	*	1/2019	Zhou	D15/199	
D841,711	S	*	2/2019	Liu	D15/199	
D868,907	S	*	12/2019	Liu	D21/578	
D883,355	S	*	5/2020	Greenwalt	D15/199	
D890,240	S	*	7/2020	Wilson	D15/199	

* cited by examiner

Primary Examiner — Michael C Stout

Assistant Examiner — Melvin L Davis

(74) *Attorney, Agent, or Firm* — WPAT, PC

(57) **CLAIM**

The ornamental design for a toy robot, as shown.

DESCRIPTION

FIG. 1 is a perspective view of a toy robot showing my new design;

FIG. 2 is another perspective view thereof;

FIG. 3 is a front view thereof;

FIG. 4 is a rear view thereof;

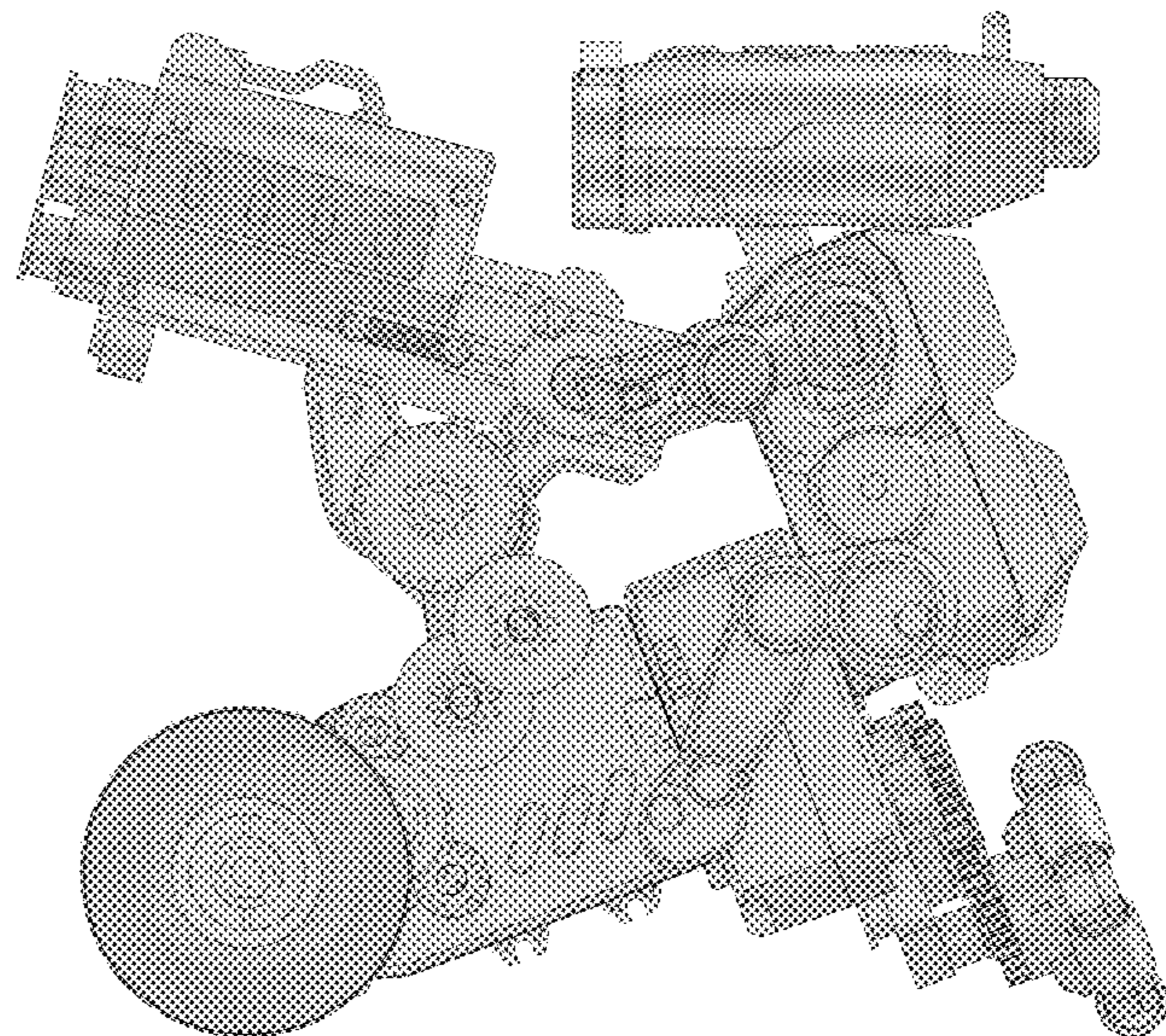
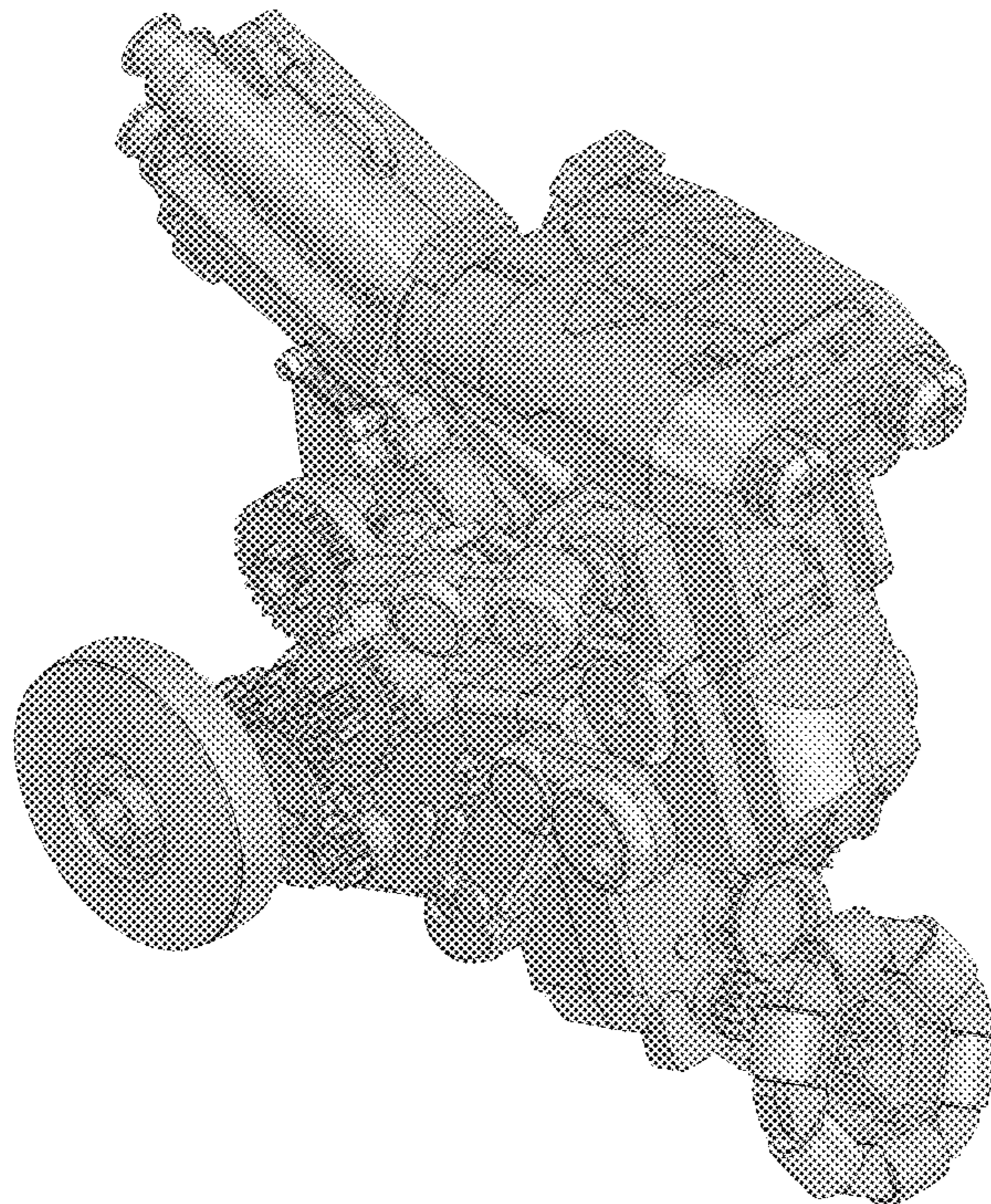
FIG. 5 is a left side view thereof;

FIG. 6 is a right side view thereof;

FIG. 7 is a top view thereof; and,

FIG. 8 is a bottom view thereof.

1 Claim, 8 Drawing Sheets



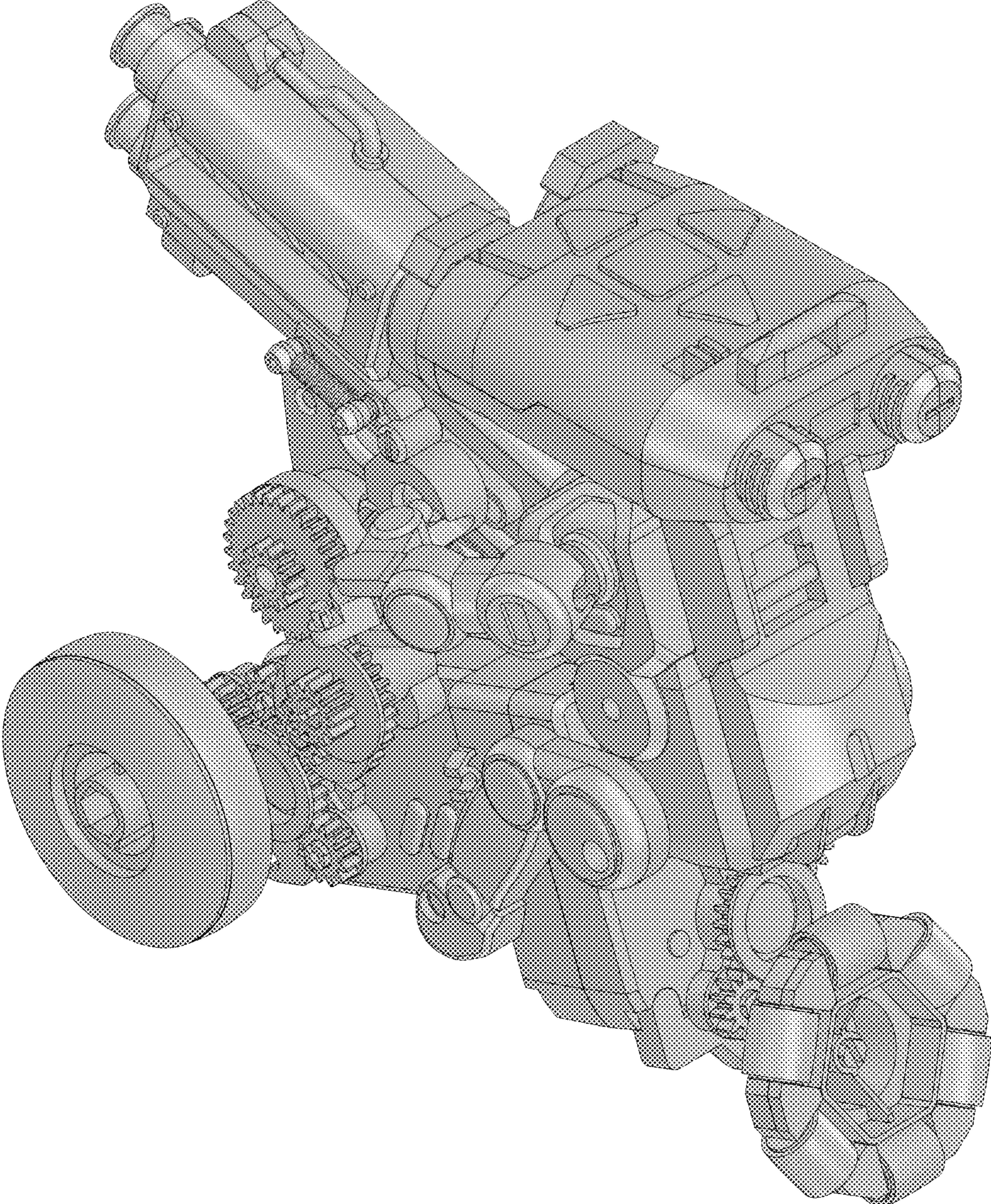


FIG.1

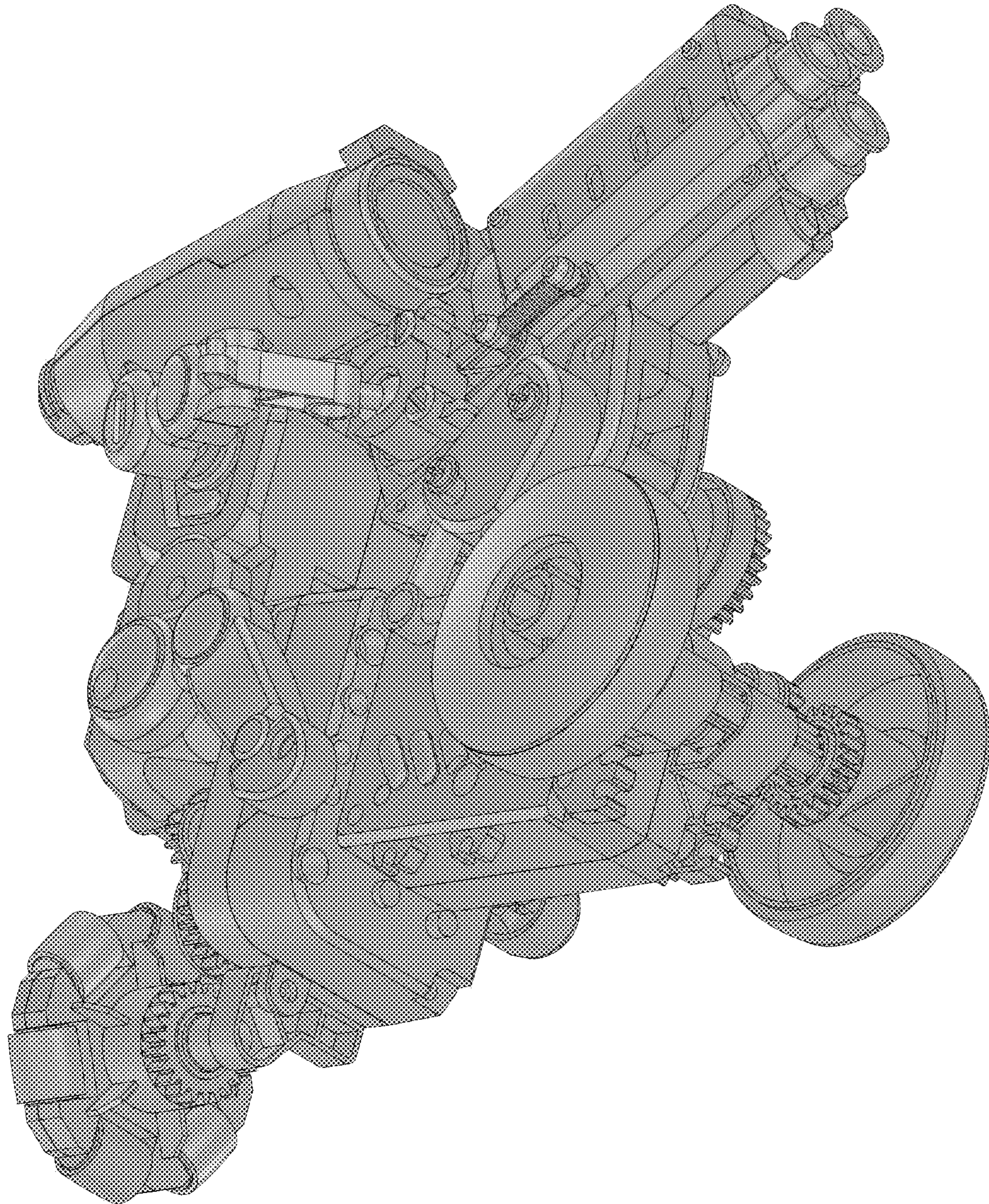


FIG.2

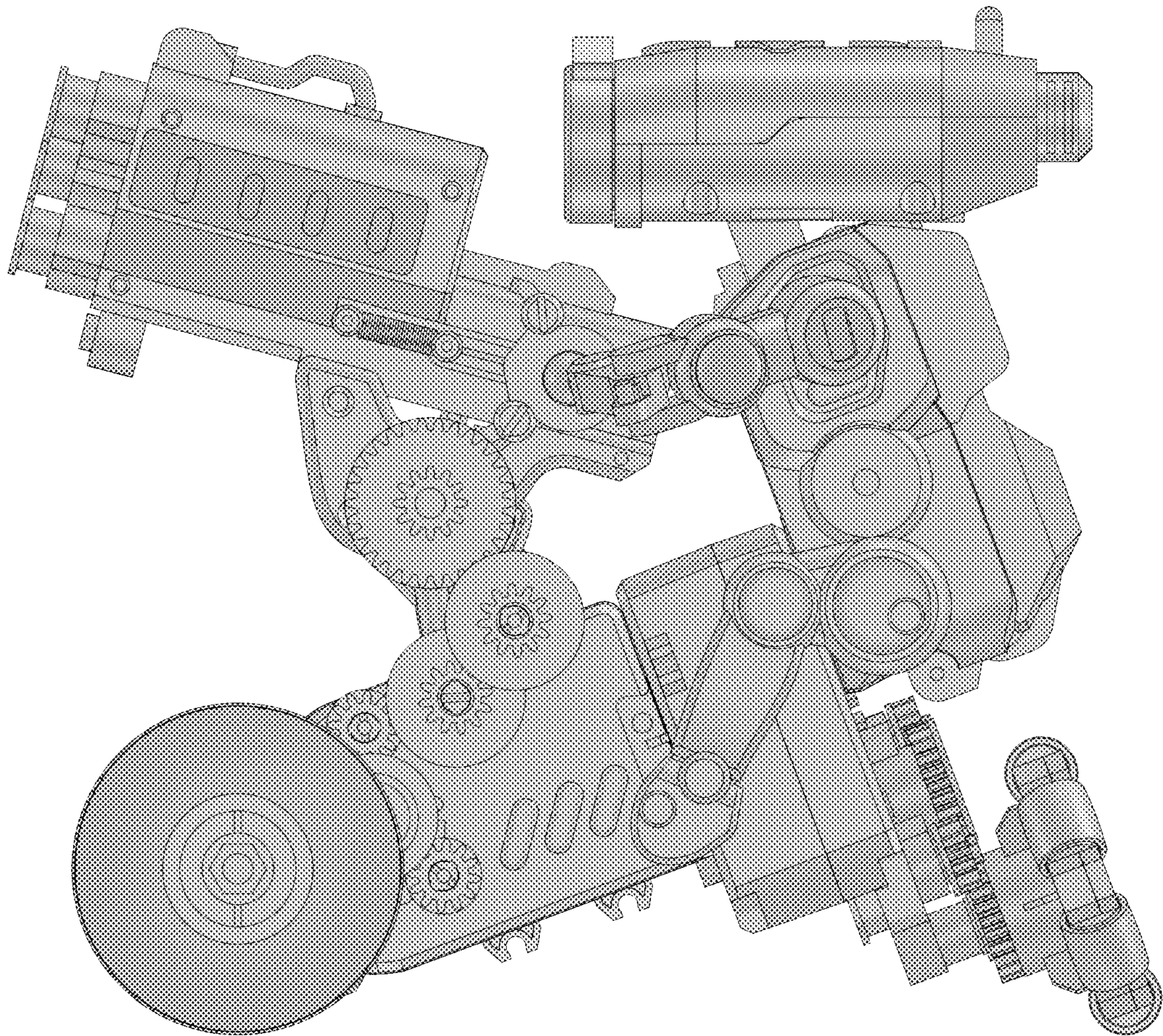


FIG.3

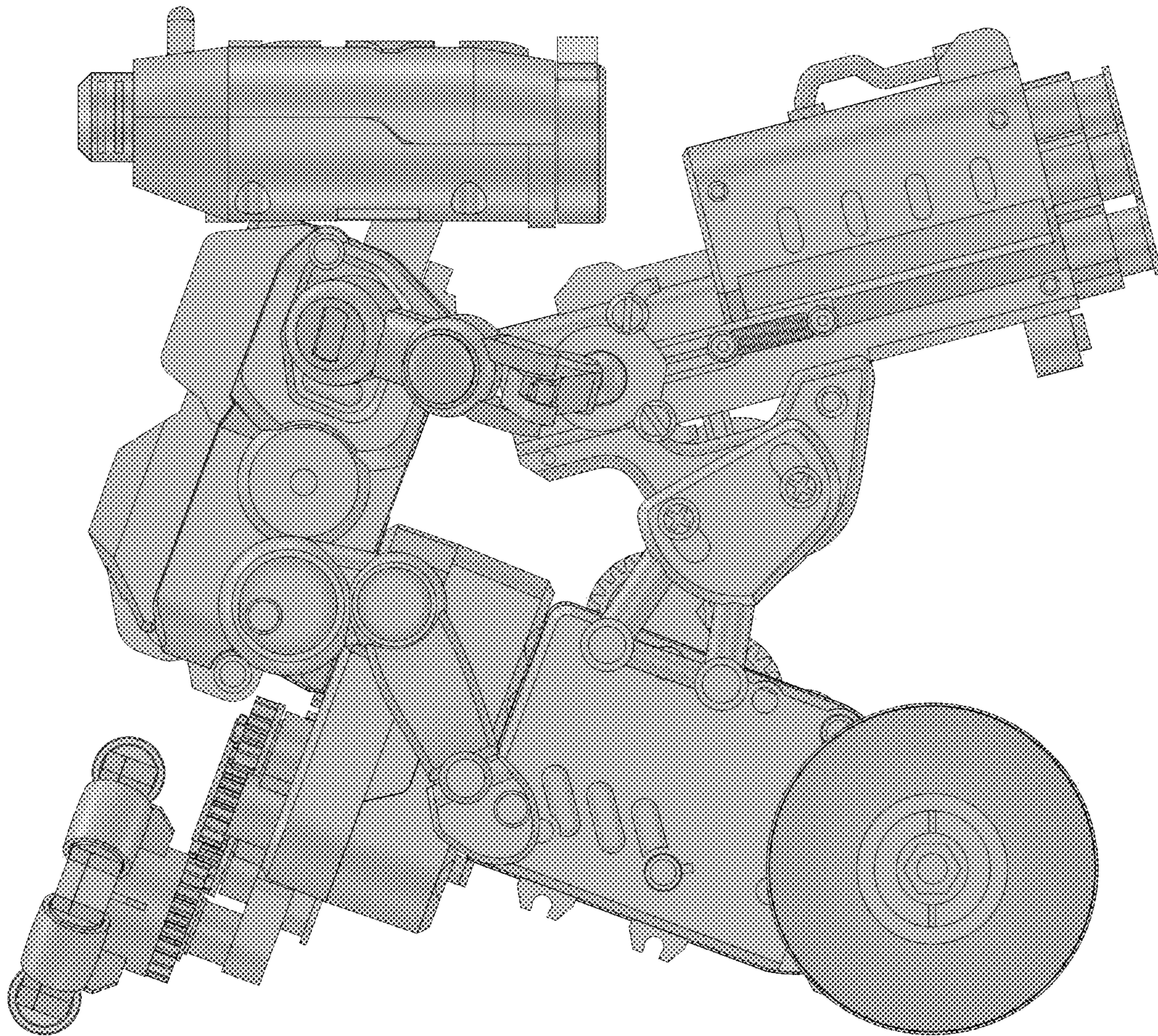


FIG.4

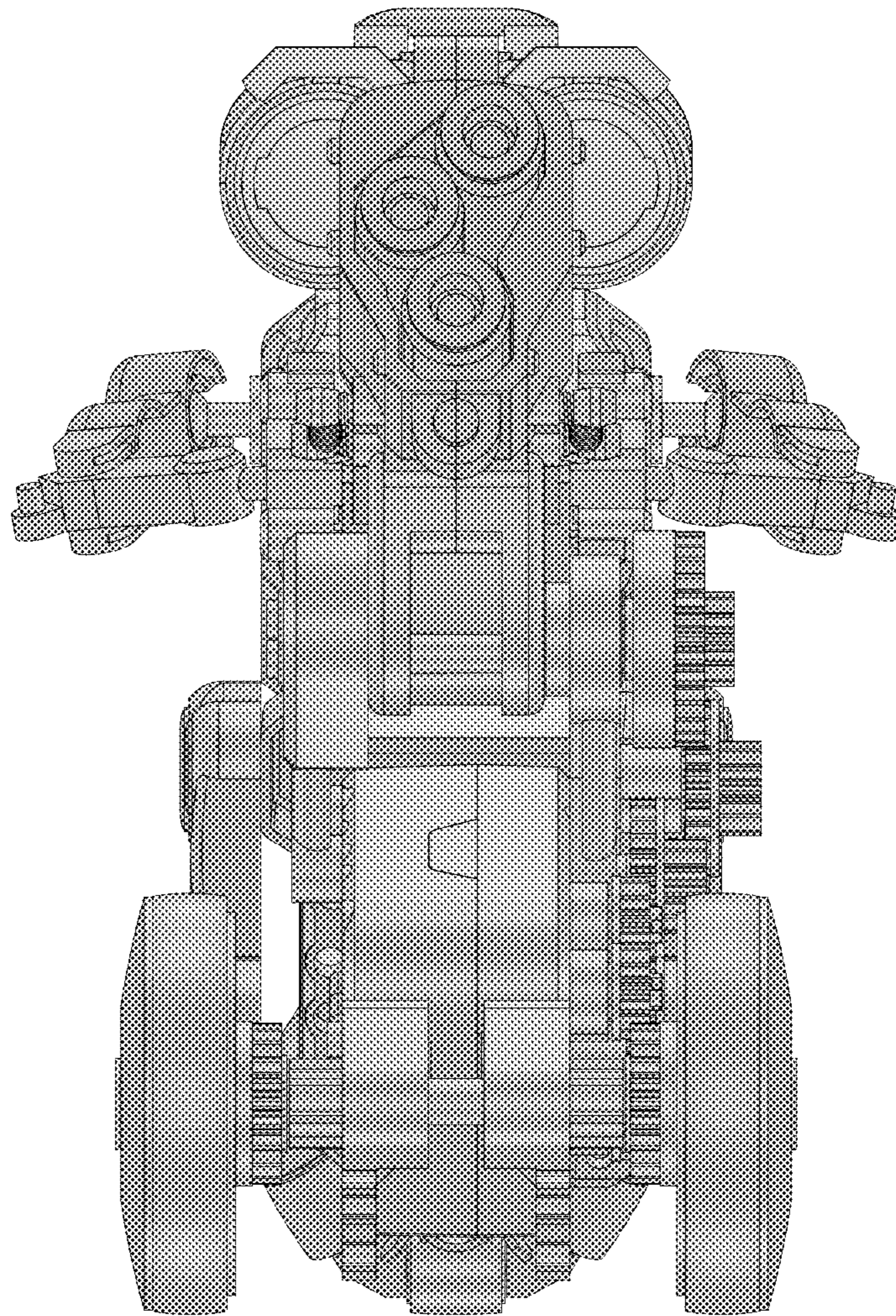


FIG.5

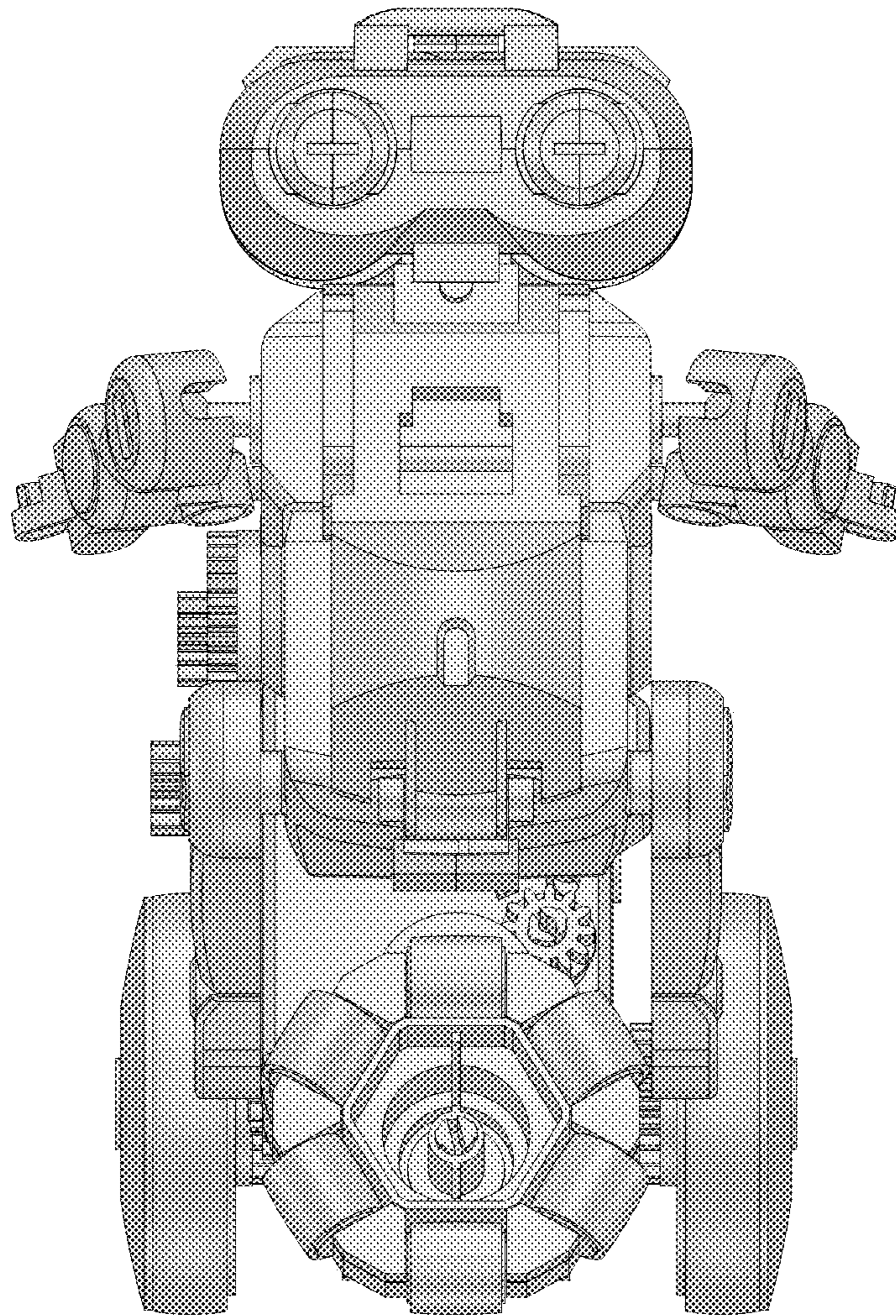


FIG.6

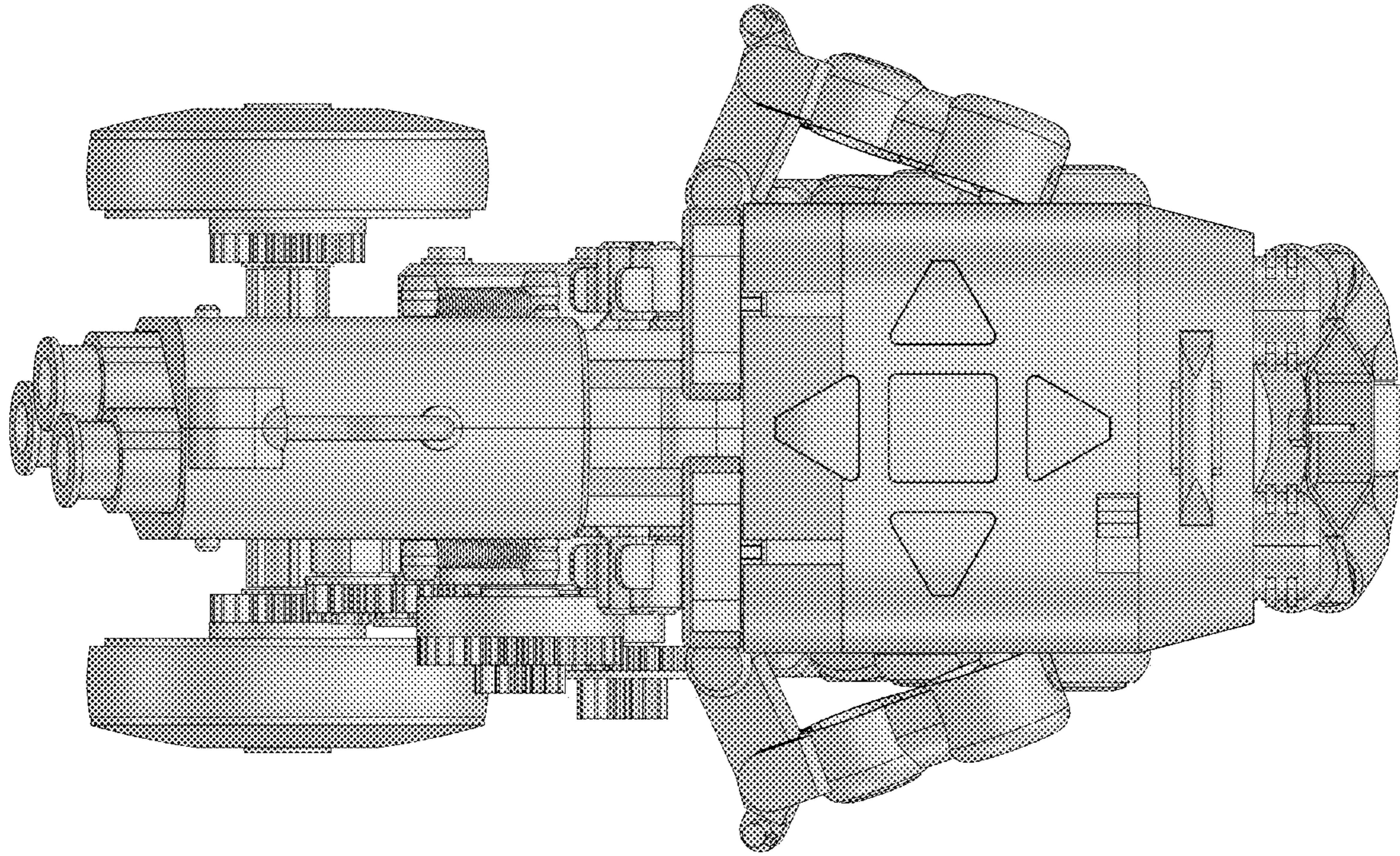


FIG.7

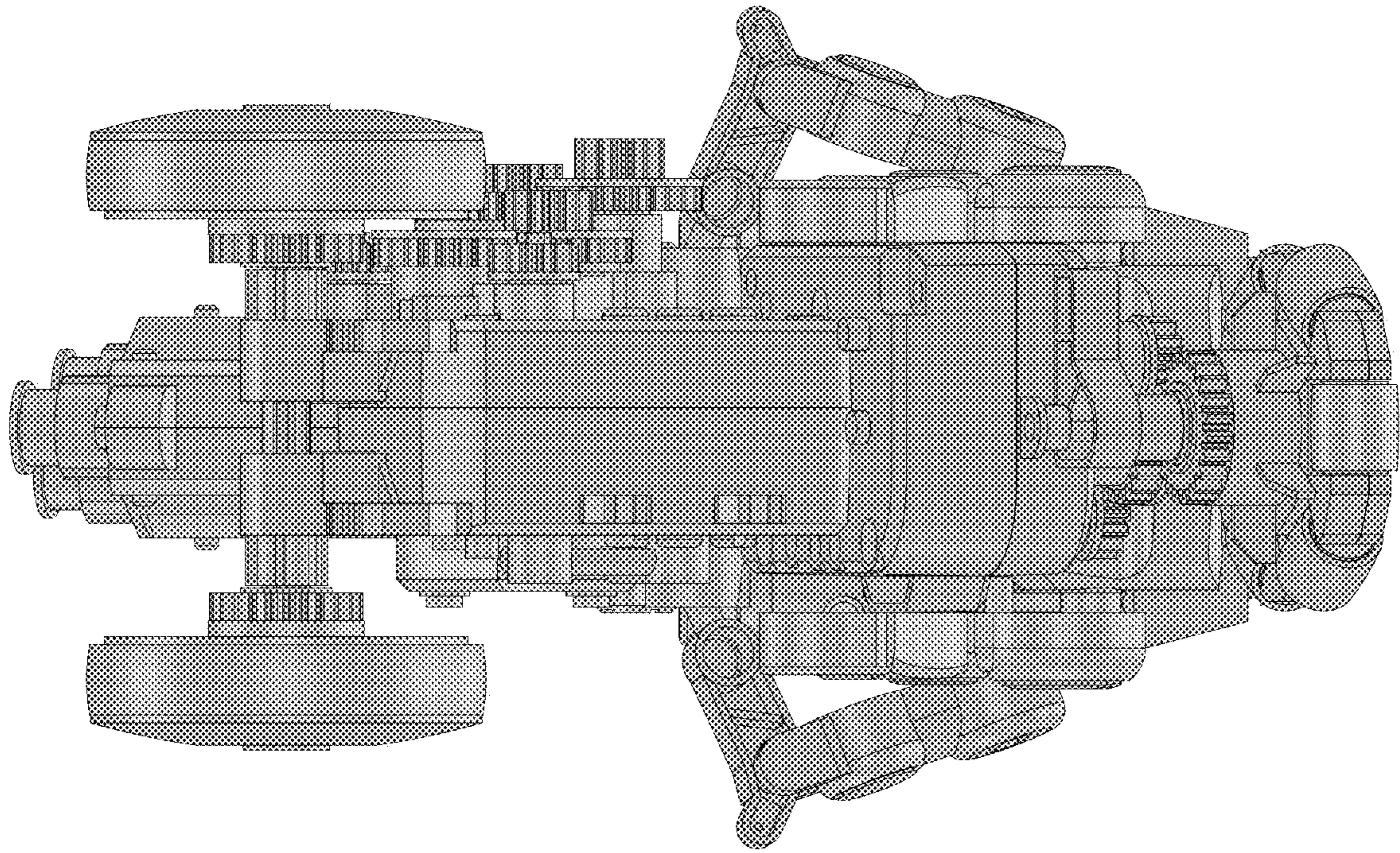


FIG.8