



US00D908177S

(12) **United States Design Patent** (10) **Patent No.:** **US D908,177 S**
Sprowl et al. (45) **Date of Patent:** **** Jan. 19, 2021**

(54) **MODEL VEHICLE SIDE NERF BAR**

(71) Applicant: **TRAXXAS LP**, McKinney, TX (US)

(72) Inventors: **Jory Sprowl**, Honey Grove, TX (US);
Adam Cole Ewing, McKinney, TX (US); **Otto Karl Allmendinger**,
Rowlett, TX (US)

(73) Assignee: **TRAXXAS LP**, McKinney, TX (US)

(**) Term: **15 Years**

(21) Appl. No.: **29/696,361**

(22) Filed: **Jun. 27, 2019**

(51) **LOC (13) Cl.** **21-01**

(52) **U.S. Cl.**
USPC **D21/552**; D21/561; D21/562

(58) **Field of Classification Search**
USPC D21/424, 433, 434, 483, 495, 522,
D21/533-562; D12/86-93, 98, 159,
D12/163-172, 401; 446/431, 448,
446/454-456, 465-466, 470-471
CPC B60G 2204/128; B60G 13/003; B62D 25/00;
B62D 35/00; A63H 17/262; A63H 17/00;
A63H 17/395; A63H 17/38; A63H 17/26;
A63H 17/28; A63H 33/042; A63H 3/16;
A63H 3/50; A63H 30/00; A63H 7/04;
A63H 17/36; A63H 17/264
See application file for complete search history.

(56) **References Cited**

U.S. PATENT DOCUMENTS

D273,780 S	5/1984	Luthe et al.
D285,060 S	8/1986	Luthe et al.
D297,230 S	8/1988	Huff
D304,820 S	11/1989	Rasmussen
D349,679 S	8/1994	Waddington et al.
D351,128 S	10/1994	Waddington et al.

(Continued)

OTHER PUBLICATIONS

New Traxxas Maxx Nerf Bars Chassis (2) 8923, Earliest Available Date Nov. 11, 2019 [Online], [Site Visited Oct. 20, 2020] Available From Internet, URL: <<https://www.ebay.com/itm/New-Traxxas-X-Maxx-4S-Nerf-Bars-Chassis-2-8923-/372831171389>> (Year: 2019).*

(Continued)

Primary Examiner — Sandra Snapp

Assistant Examiner — Donald B Rose, Jr.

(74) *Attorney, Agent, or Firm* — Daryl R. Wright; Greg Carr

(57) **CLAIM**

We claim the ornamental design for a model vehicle side nerf bar, as shown and described.

DESCRIPTION

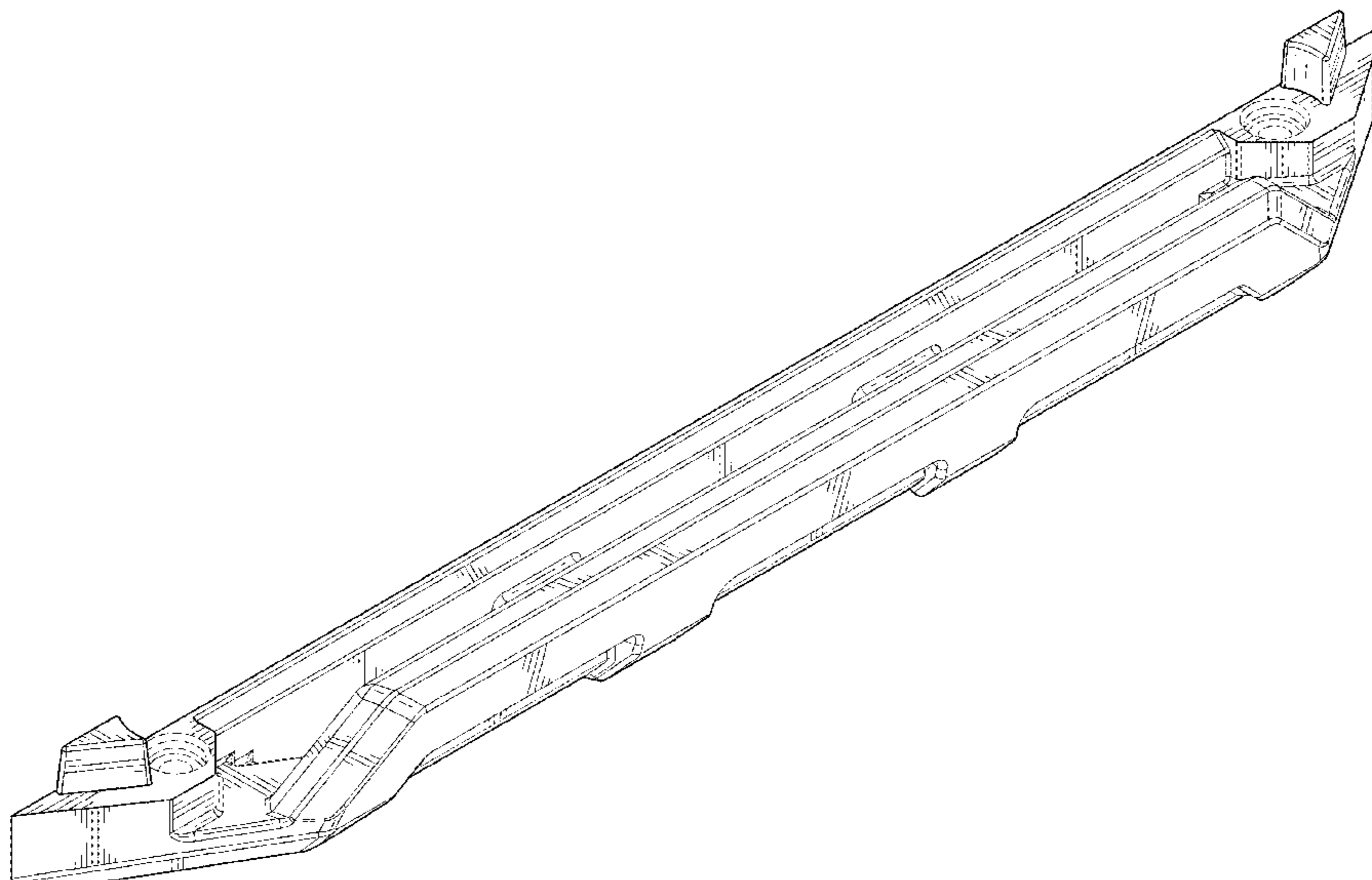
FIG. 1 is an upper, left, front perspective view of a model vehicle side nerf bar;
FIG. 2 is a left side elevation view thereof;
FIG. 3 is a right side elevation view thereof;
FIG. 4 is a rear elevation view thereof;
FIG. 5 is a front elevation view thereof;
FIG. 6 is a top plan view thereof;
FIG. 7 is a bottom plan view thereof;
FIG. 8 is a lower, right, rear perspective view thereof; and,
FIG. 9 is an upper, left, front perspective environmental use view of the model vehicle side nerf bar.

In the drawings, the broken lines showing features of the model vehicle side nerf bar form no part of the claimed design.

The broken lines in FIG. 9 depict environmental subject matter that form no part of the claimed design.

In the drawings, a first embodiment of the left model vehicle side nerf bar is shown. It is understood that a second embodiment of the right model vehicle side nerf bar is a mirror image thereof.

1 Claim, 5 Drawing Sheets



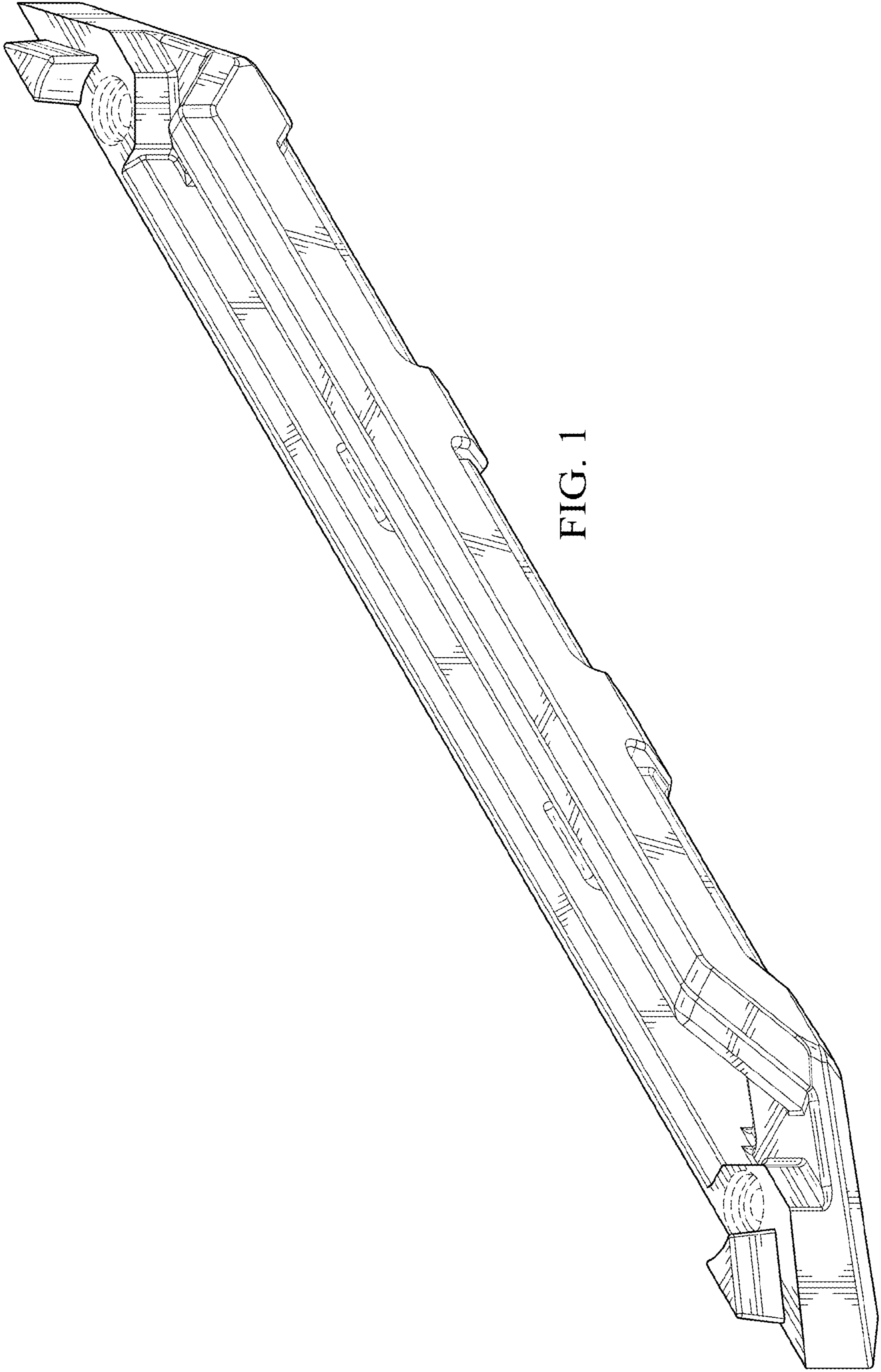


FIG. 1

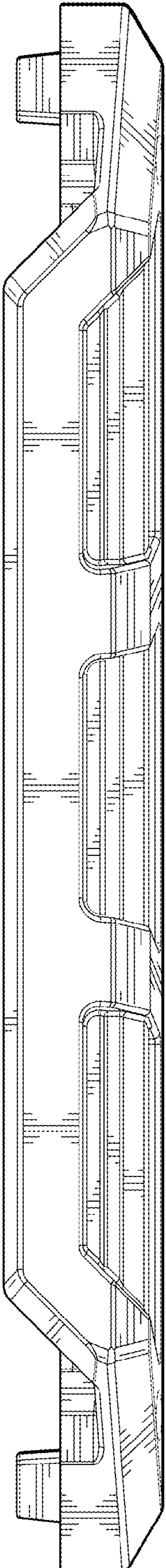


FIG. 2

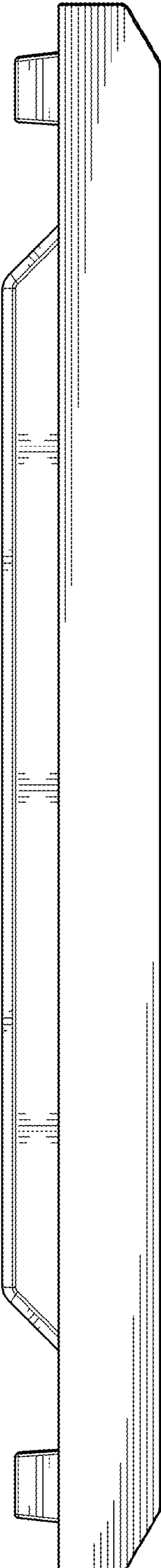


FIG. 3

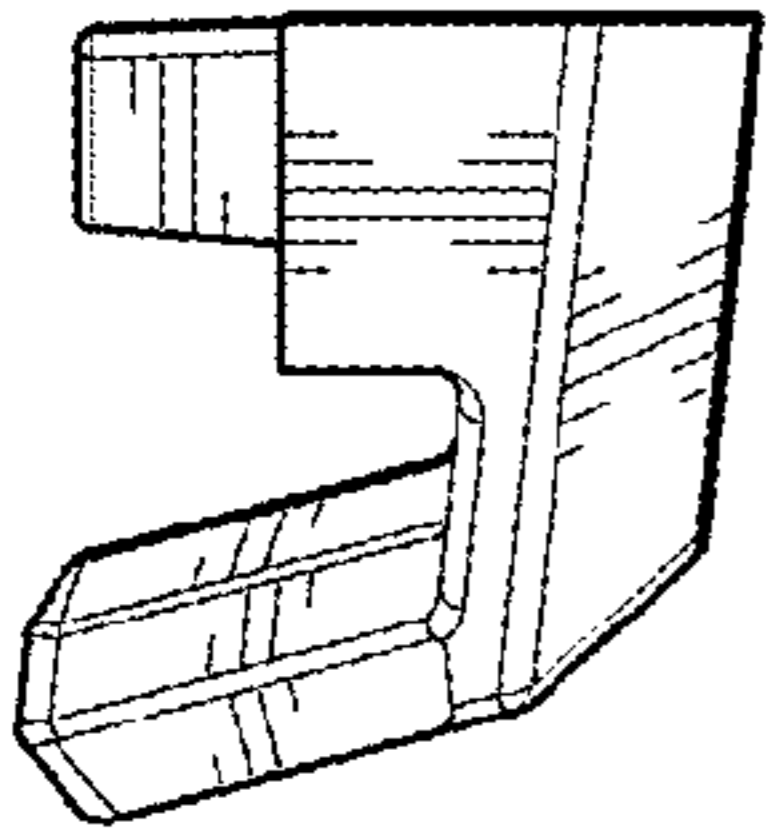


FIG. 4

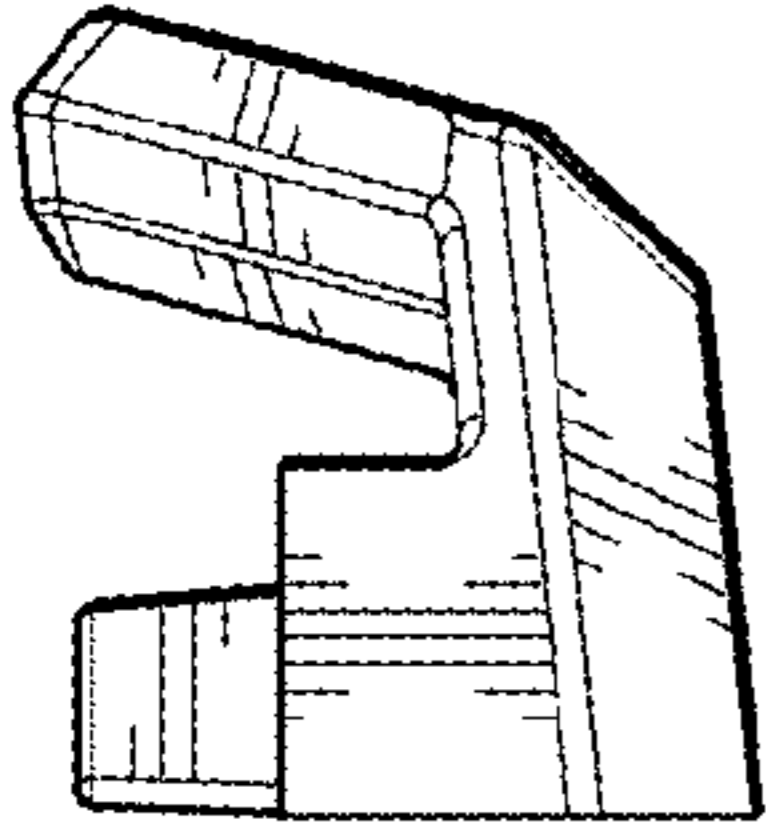


FIG. 5

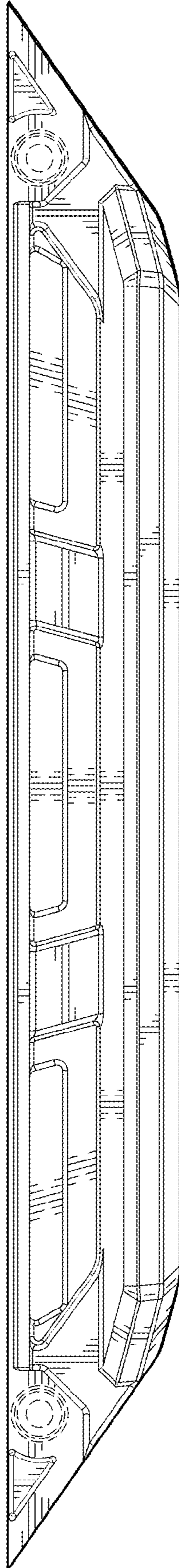


FIG. 6

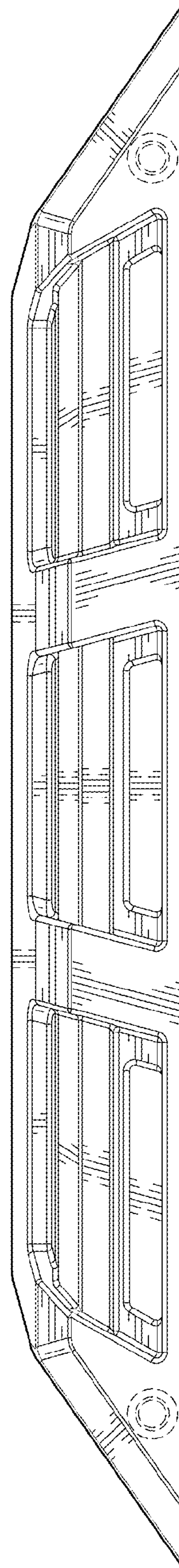


FIG. 7

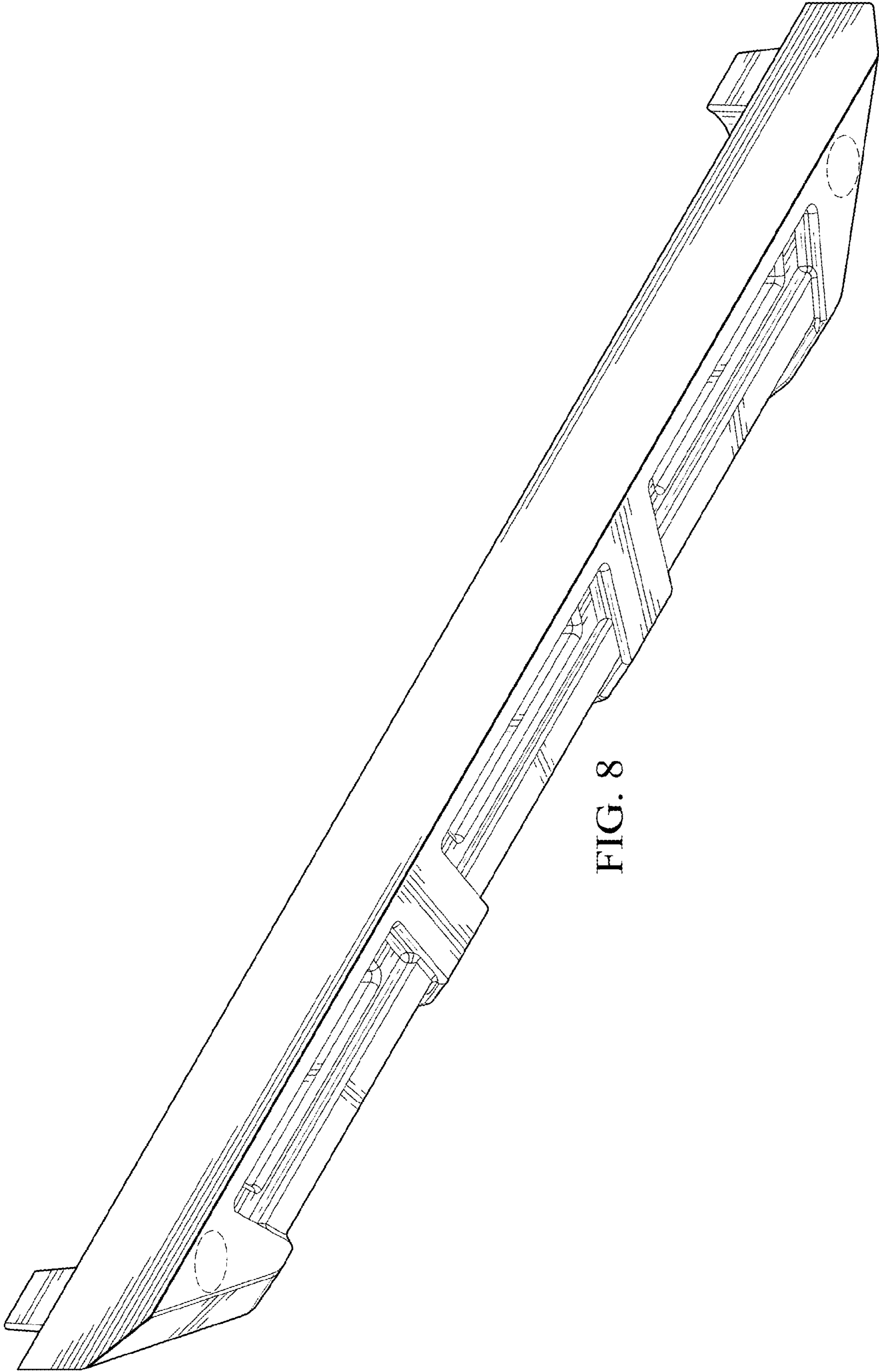


FIG. 8

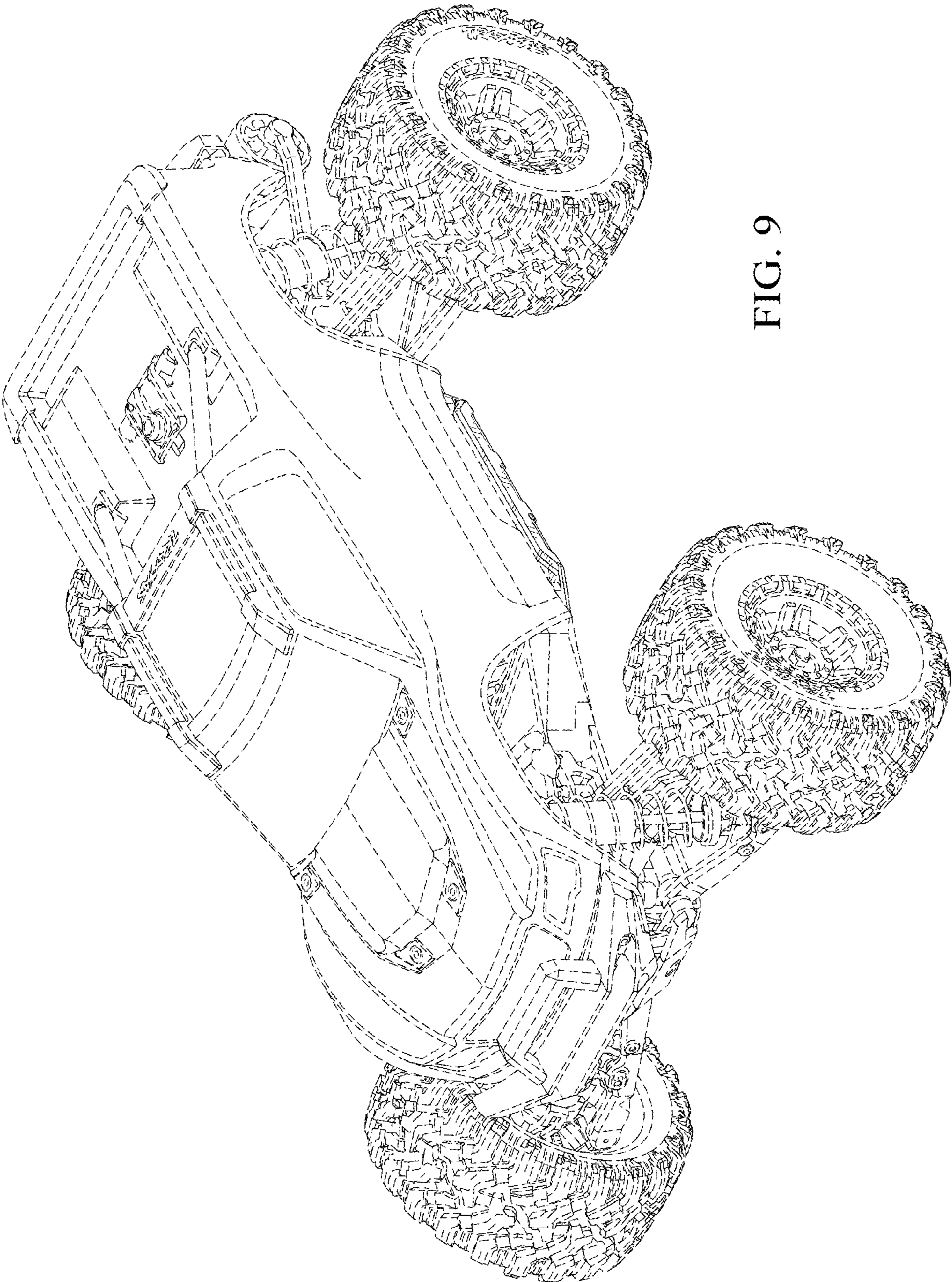


FIG. 9