



US00D908176S

(12) **United States Design Patent**  
**Schultheis et al.**

(10) **Patent No.:** **US D908,176 S**  
(45) **Date of Patent:** **\*\* Jan. 19, 2021**

(54) **LAUNCHING APPARATUS FOR SPINNING TOP TOY**

D825,676 S \* 8/2018 Horikoshi ..... D21/461  
D838,784 S \* 1/2019 Saito ..... D21/461  
D842,936 S \* 3/2019 Shindo ..... D21/461

(Continued)

(71) Applicant: **TOMY COMPANY, LTD.**, Tokyo (JP)

(72) Inventors: **Douglas Arthur Schultheis**,  
Cumberland, RI (US); **Luke**  
**Christopher Lohan**, Abington, MA  
(US)

FOREIGN PATENT DOCUMENTS

CA 2920495 A1 \* 2/2015 ..... A63H 1/04  
CN 3671626 \* 7/2007

(Continued)

(73) Assignee: **TOMY COMPANY, LTD.**, Tokyo (JP)

*Primary Examiner* — Catherine A Tuttle  
(74) *Attorney, Agent, or Firm* — Oliff PLC

(\*\*) Term: **15 Years**

(57) **CLAIM**

The ornamental design for a launching apparatus for spinning top toy, as shown and described.

(21) Appl. No.: **29/703,919**

**DESCRIPTION**

(22) Filed: **Aug. 30, 2019**

(51) **LOC (13) Cl.** ..... **21-01**

(52) **U.S. Cl.**  
USPC ..... **D21/461**

(58) **Field of Classification Search**  
USPC ..... D21/454, 455–464, 561, 566, 570;  
446/38–45, 236–266, 429, 430, 462, 489  
CPC .... A63H 1/00–06; A63H 1/12; A63H 17/008;  
A63H 27/14; A63H 29/00; A63H 29/20;  
A63H 29/24; A63H 31/06; A63H 31/08;  
A63F 9/16

See application file for complete search history.

FIG. 1 is a front elevational view of the launching apparatus for spinning top toy;  
FIG. 2 is a left-side elevational view thereof;  
FIG. 3 is a rear elevational view thereof;  
FIG. 4 is a right-side elevational view thereof;  
FIG. 5 is a top plan view thereof;  
FIG. 6 is a bottom plan view thereof;  
FIG. 7 is a front, left-side, top perspective view thereof;  
FIG. 8 is a rear, right-side, top perspective view thereof;  
FIG. 9 is a rear, left-side, bottom perspective view thereof;  
FIG. 10 is a front, bottom perspective view thereof;  
FIG. 11 is a cross-sectional view of FIG. 9 taken along line 11-11 in FIG. 3;  
FIG. 12 is a cross-sectional view of FIG. 7 taken along line 12-12 in FIG. 5; and,  
FIG. 13 is a cross-sectional view of FIG. 7 taken along line 13-13 in FIG. 5.

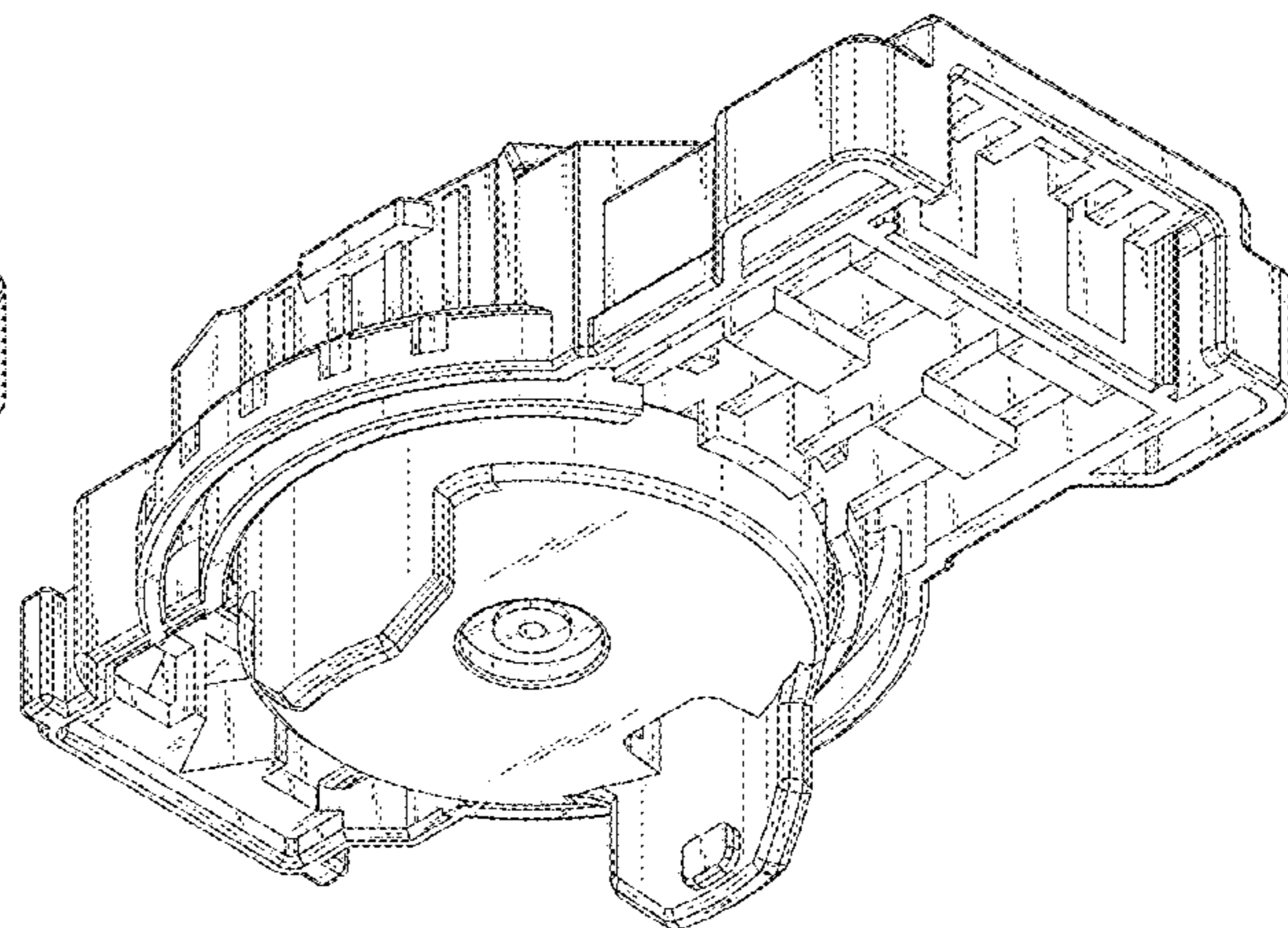
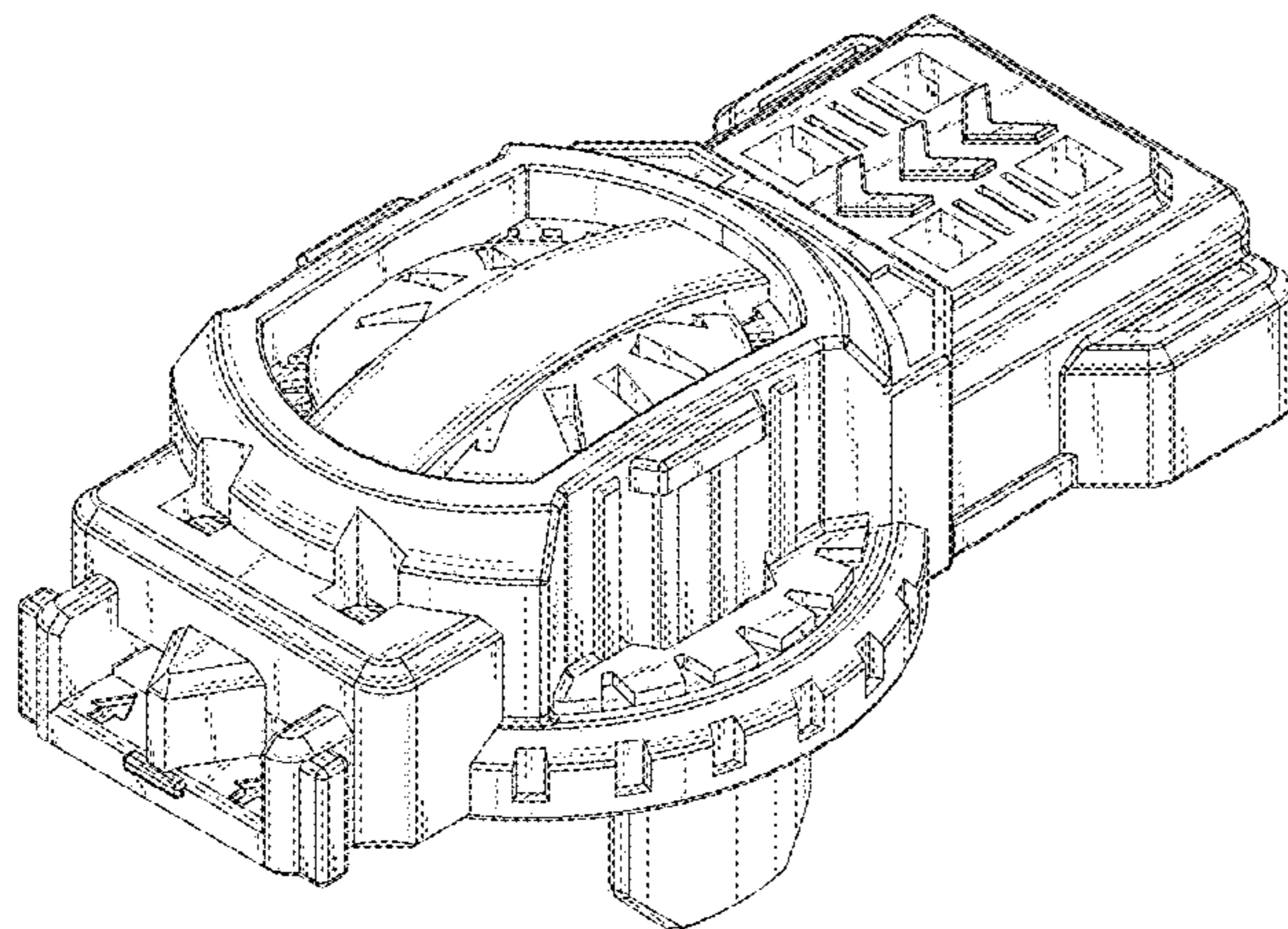
The broken lines in FIGS. 11 and 12 are included for the purpose of illustrating the interior portions of the launching apparatus for spinning top toy that form no part of the claimed design.

(56) **References Cited**

U.S. PATENT DOCUMENTS

6,743,070 B1 \* 6/2004 Lin ..... A63H 1/02  
446/15  
D610,211 S \* 2/2010 Nishimoto ..... D21/461  
D639,349 S \* 6/2011 Horikoshi ..... D21/461  
9,435,820 B1 \* 9/2016 Muraki ..... G01P 3/486  
D790,635 S \* 6/2017 Horikoshi ..... D21/461  
D790,636 S \* 6/2017 Horikoshi ..... D21/461

**1 Claim, 13 Drawing Sheets**





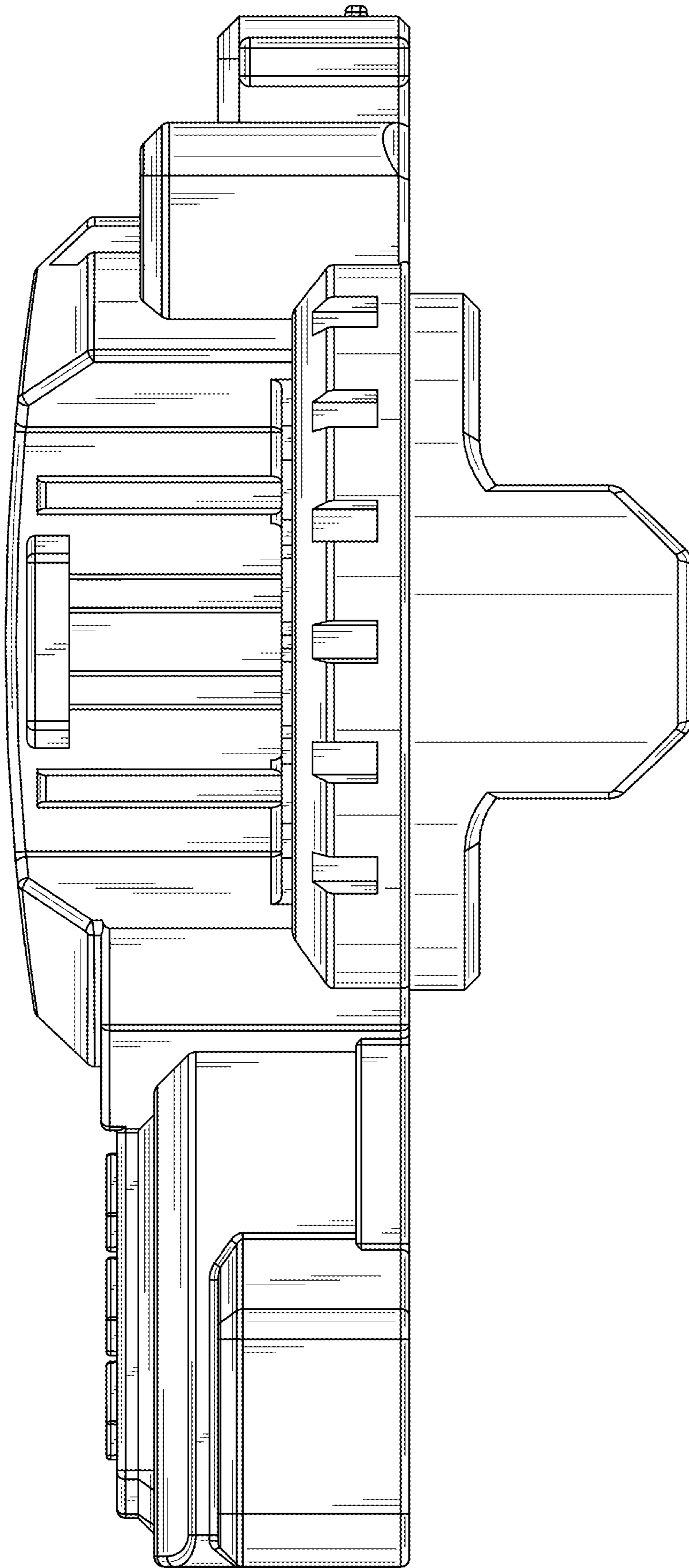


FIG. 1

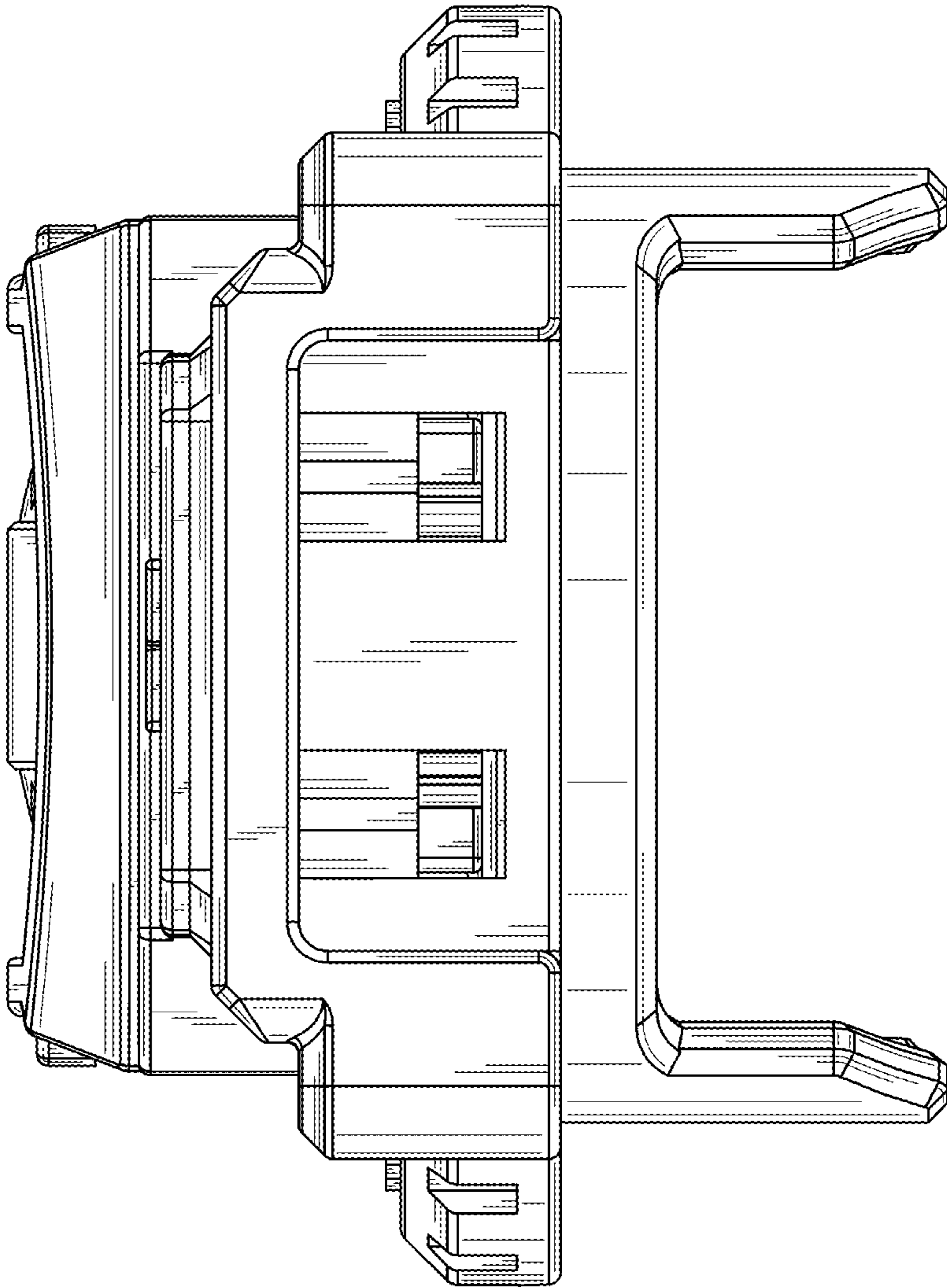


FIG. 2

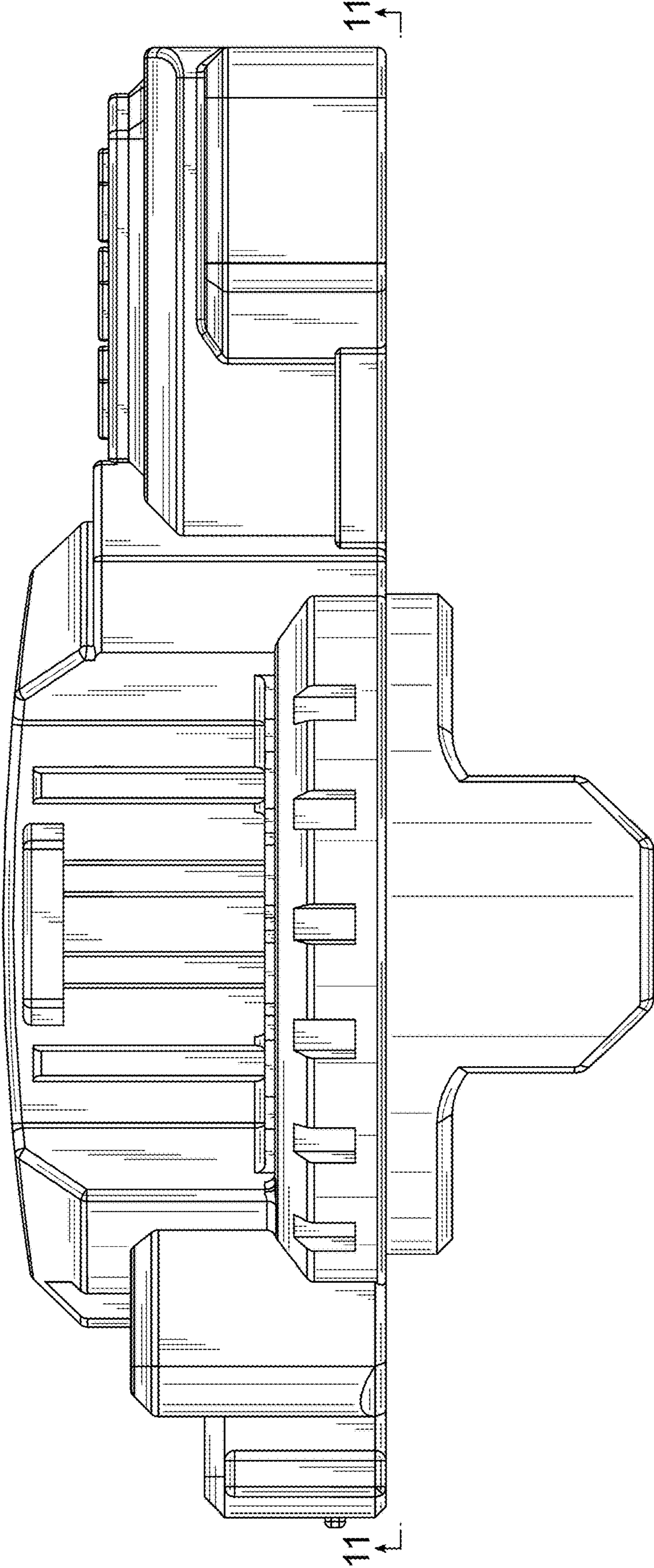


FIG. 3

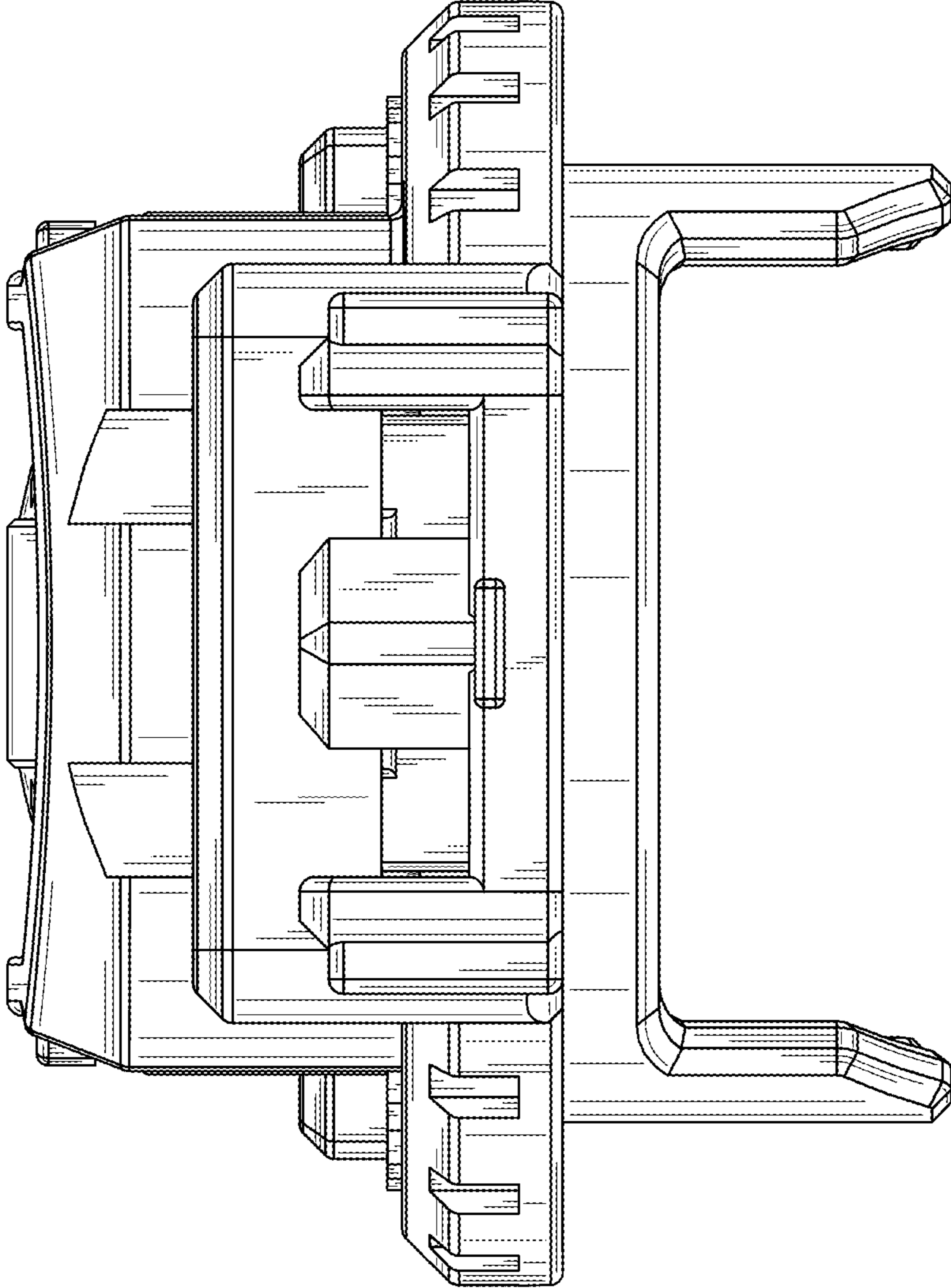


FIG. 4

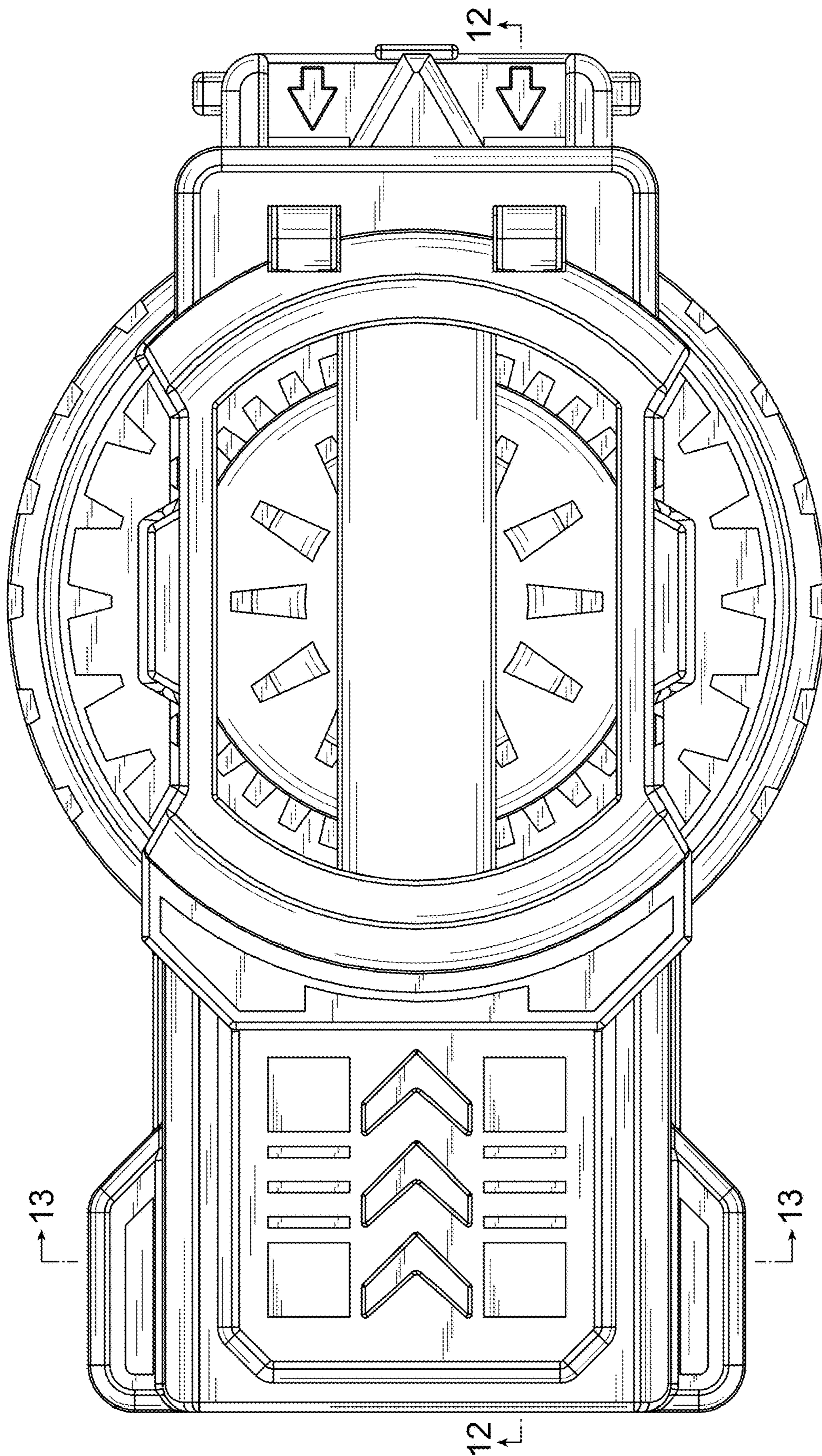


FIG. 5

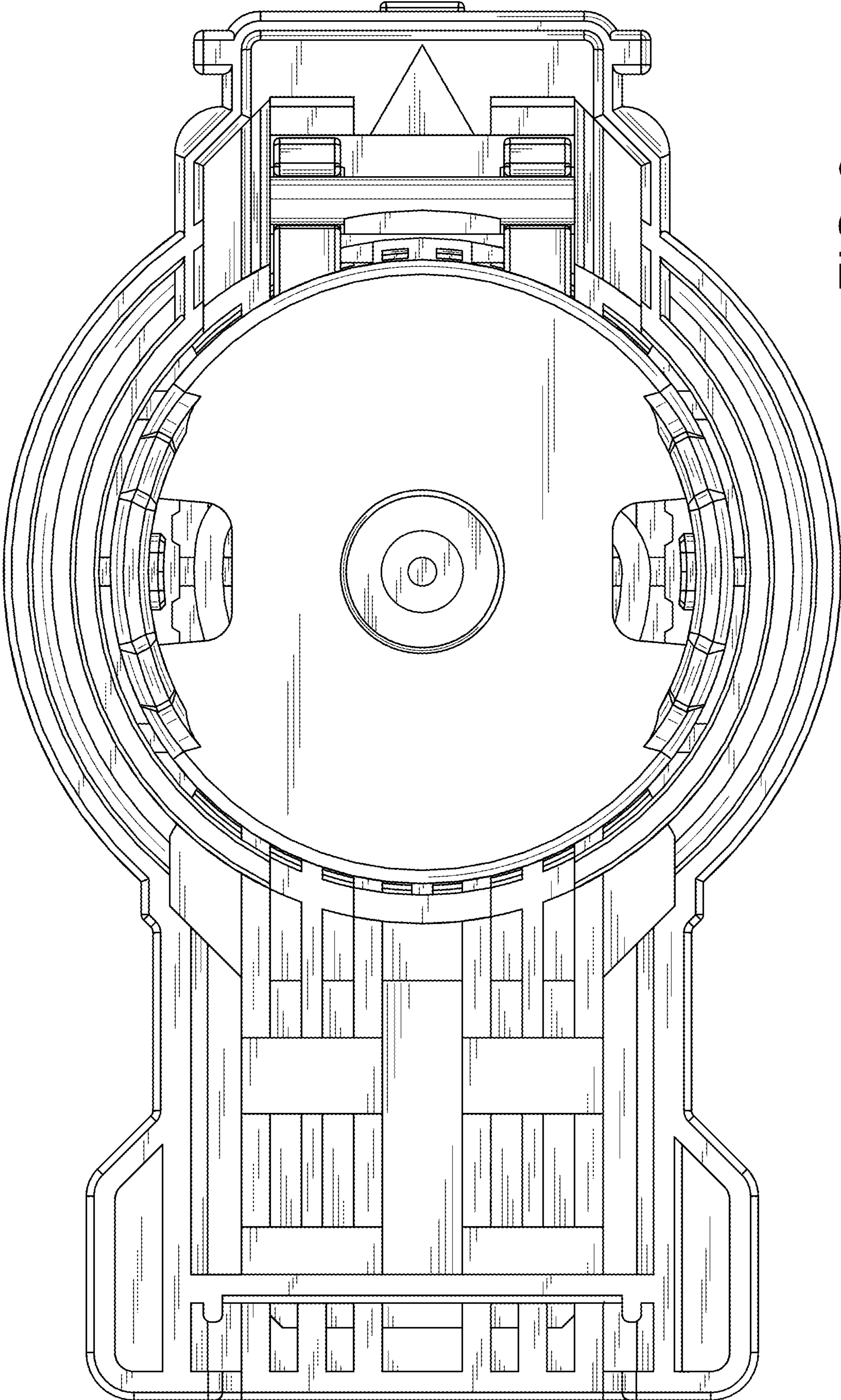


FIG. 6



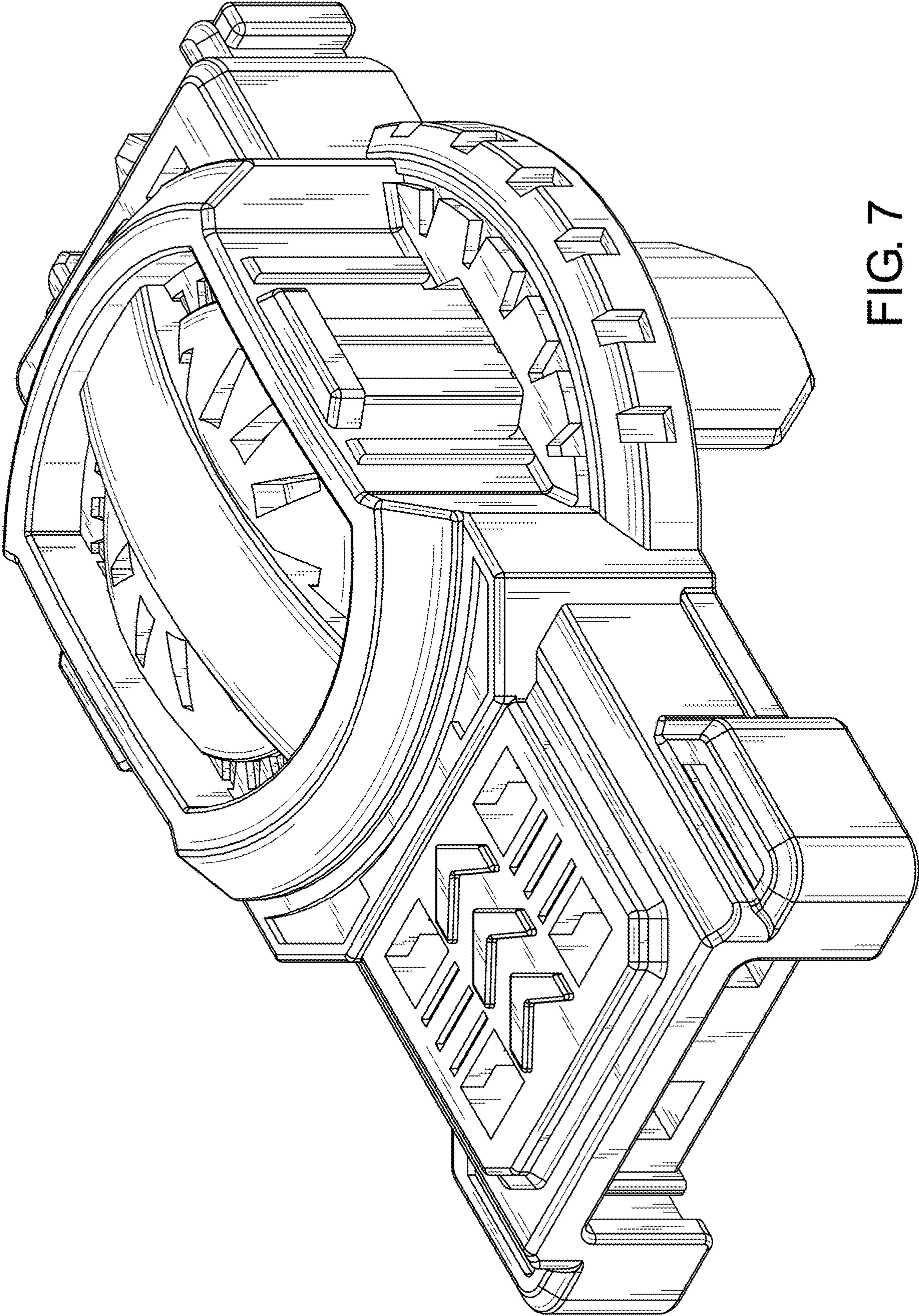


FIG. 7

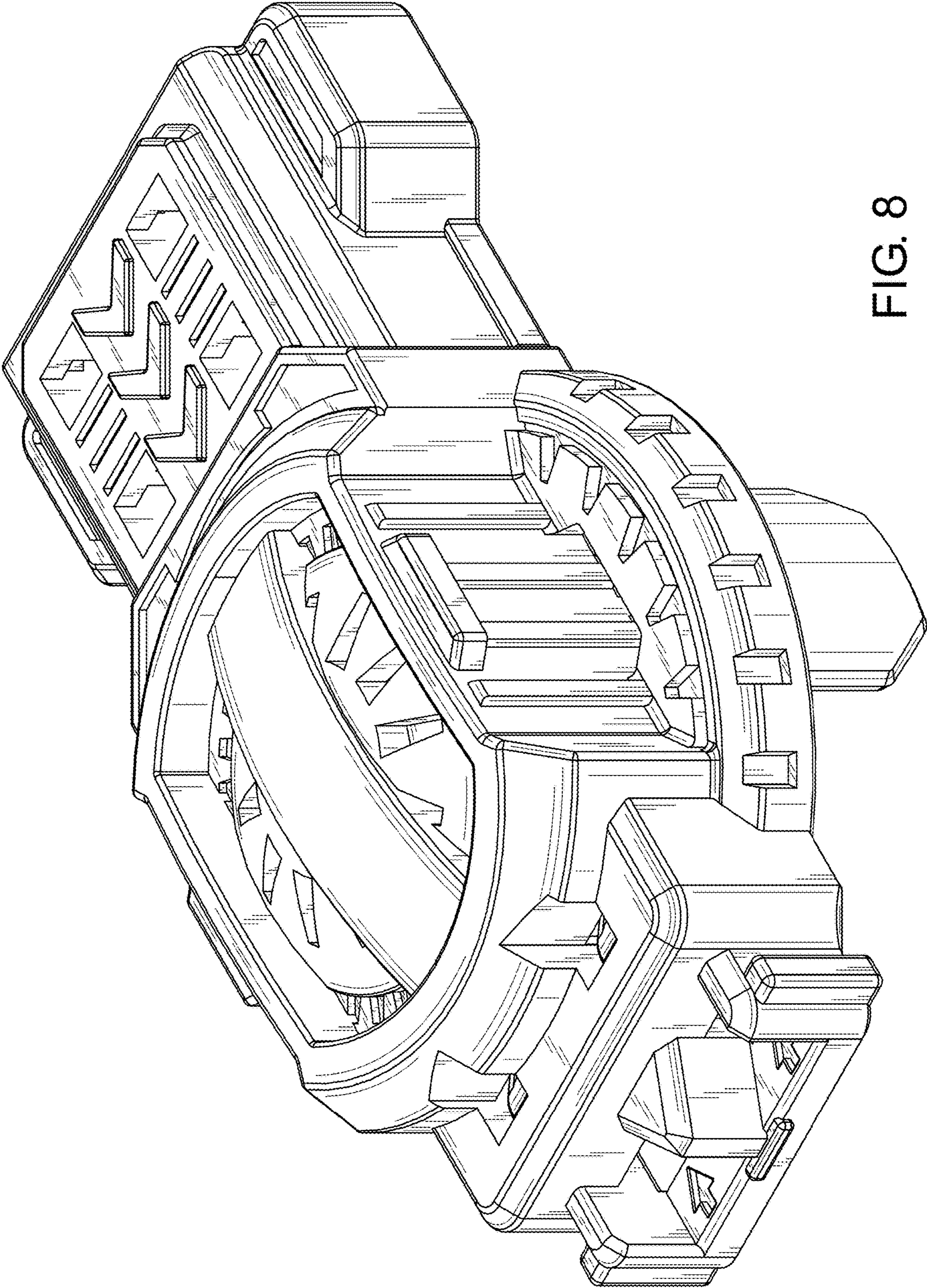


FIG. 8

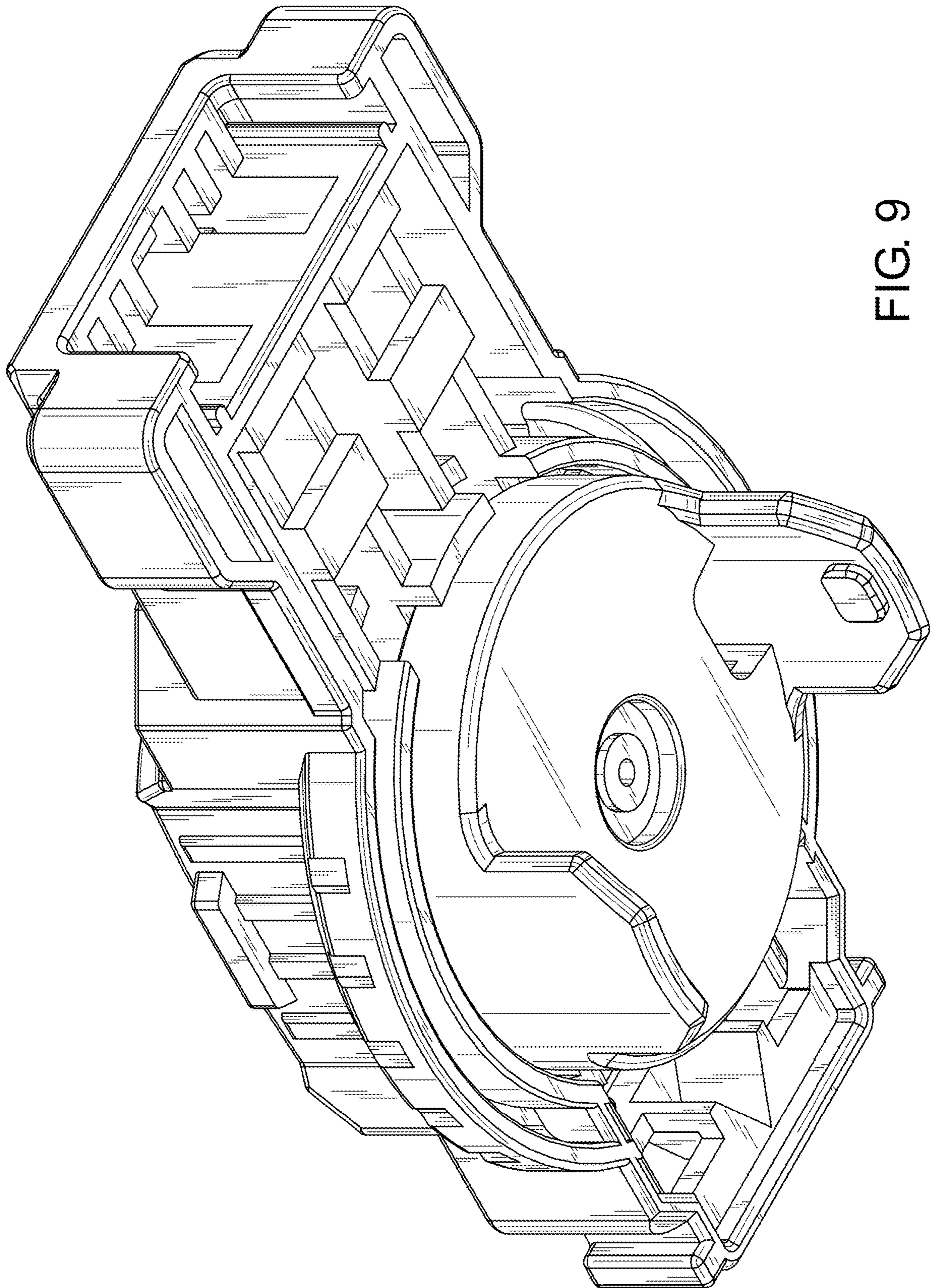


FIG. 9

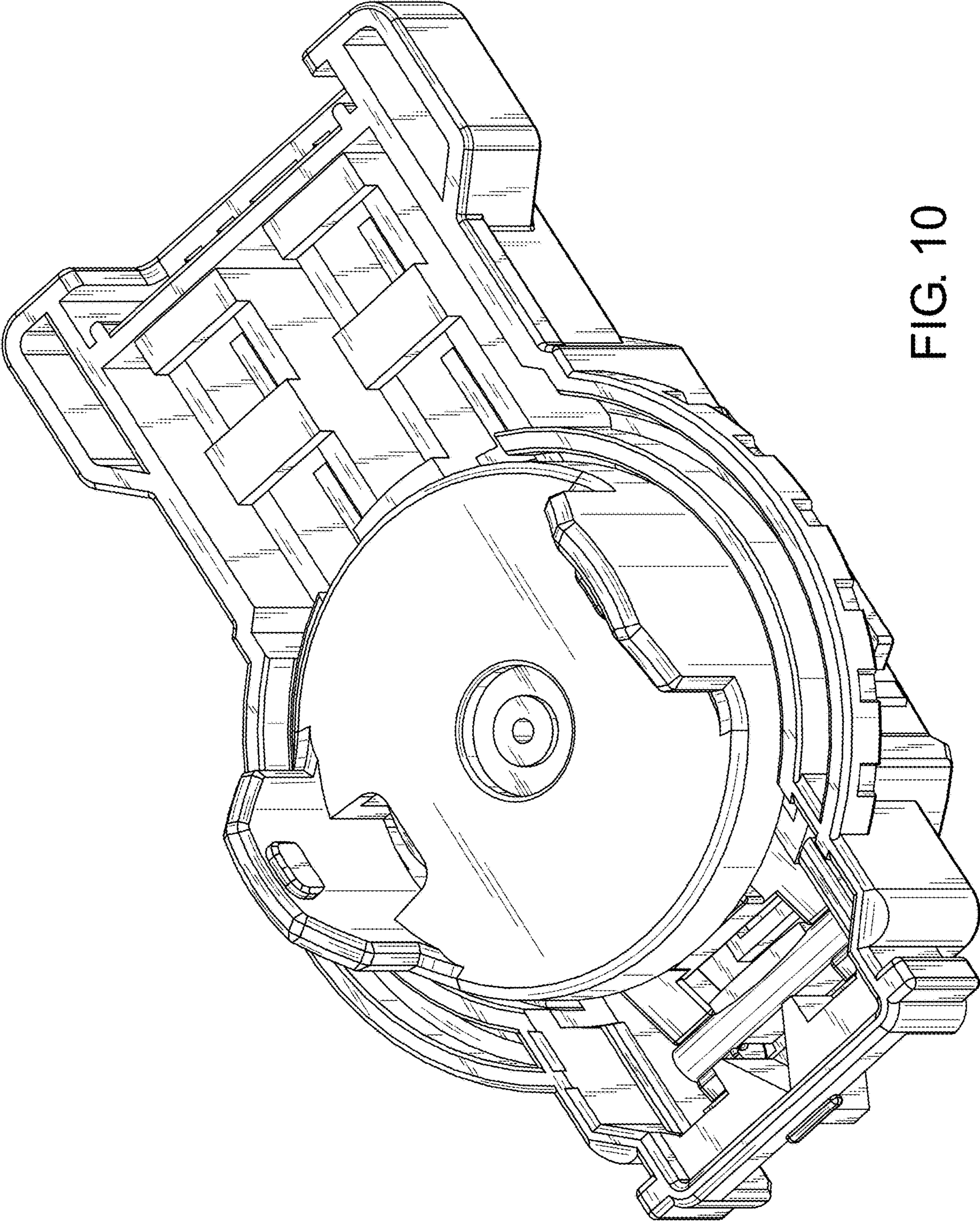


FIG. 10

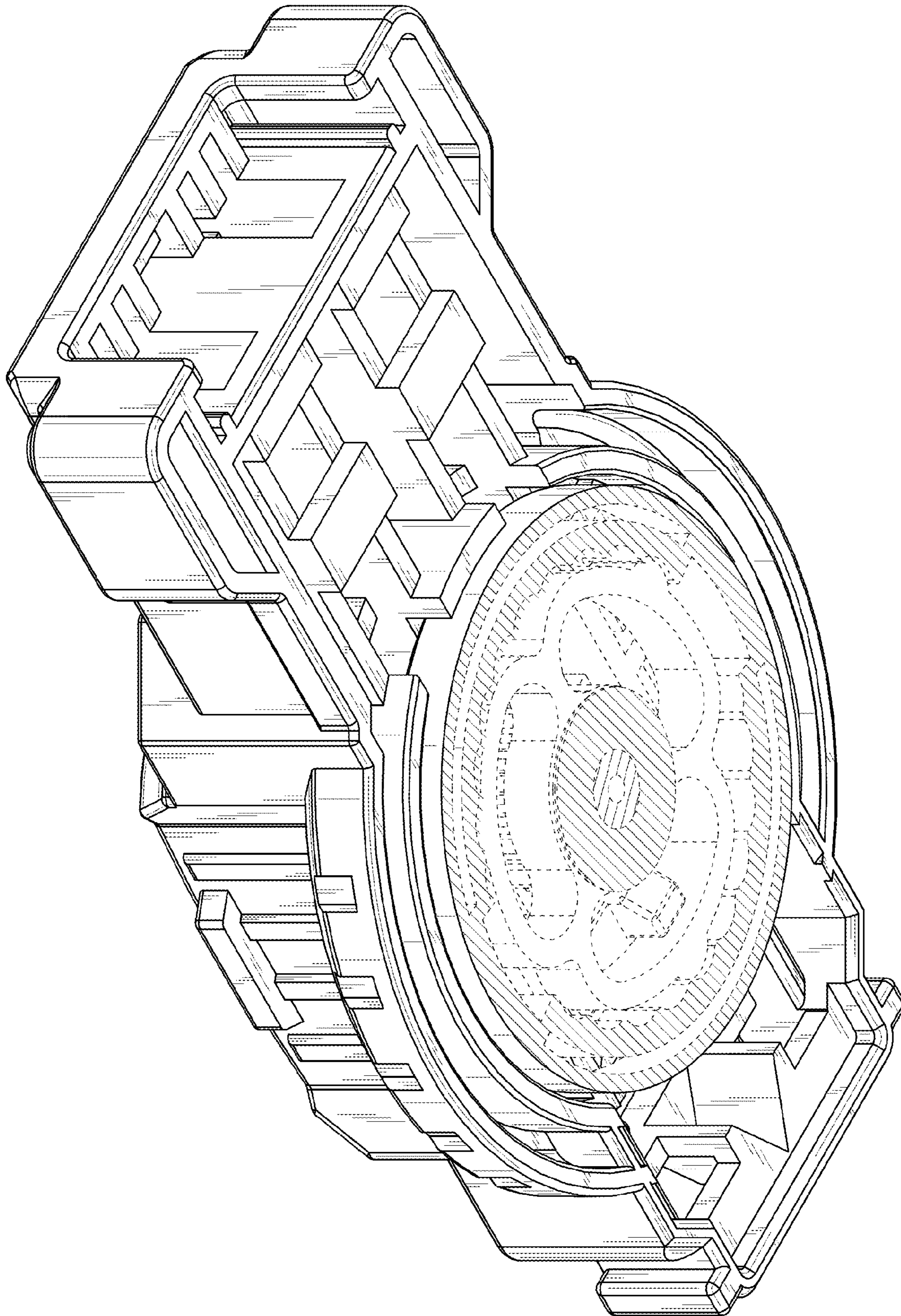


FIG. 11

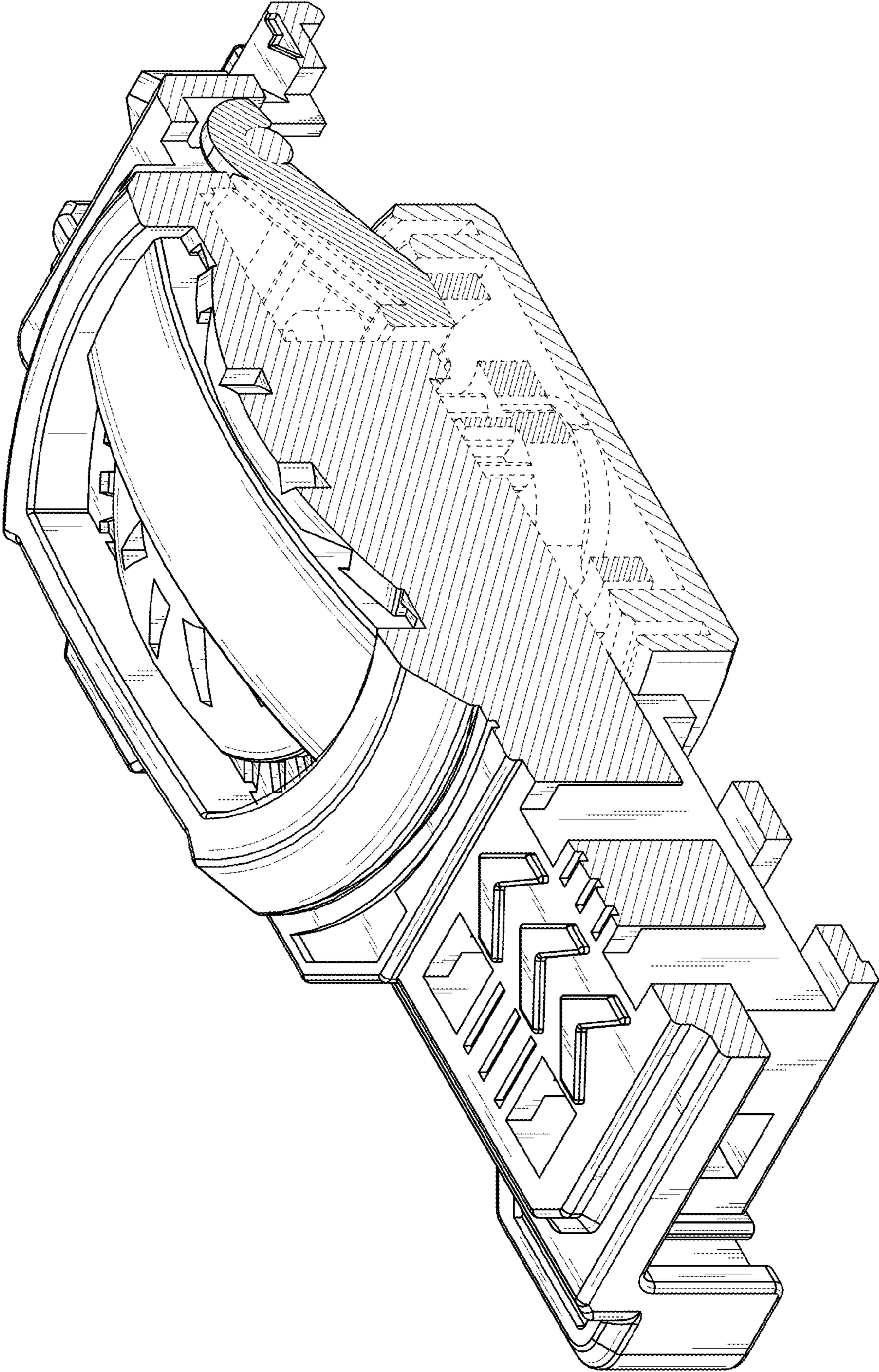


FIG. 12

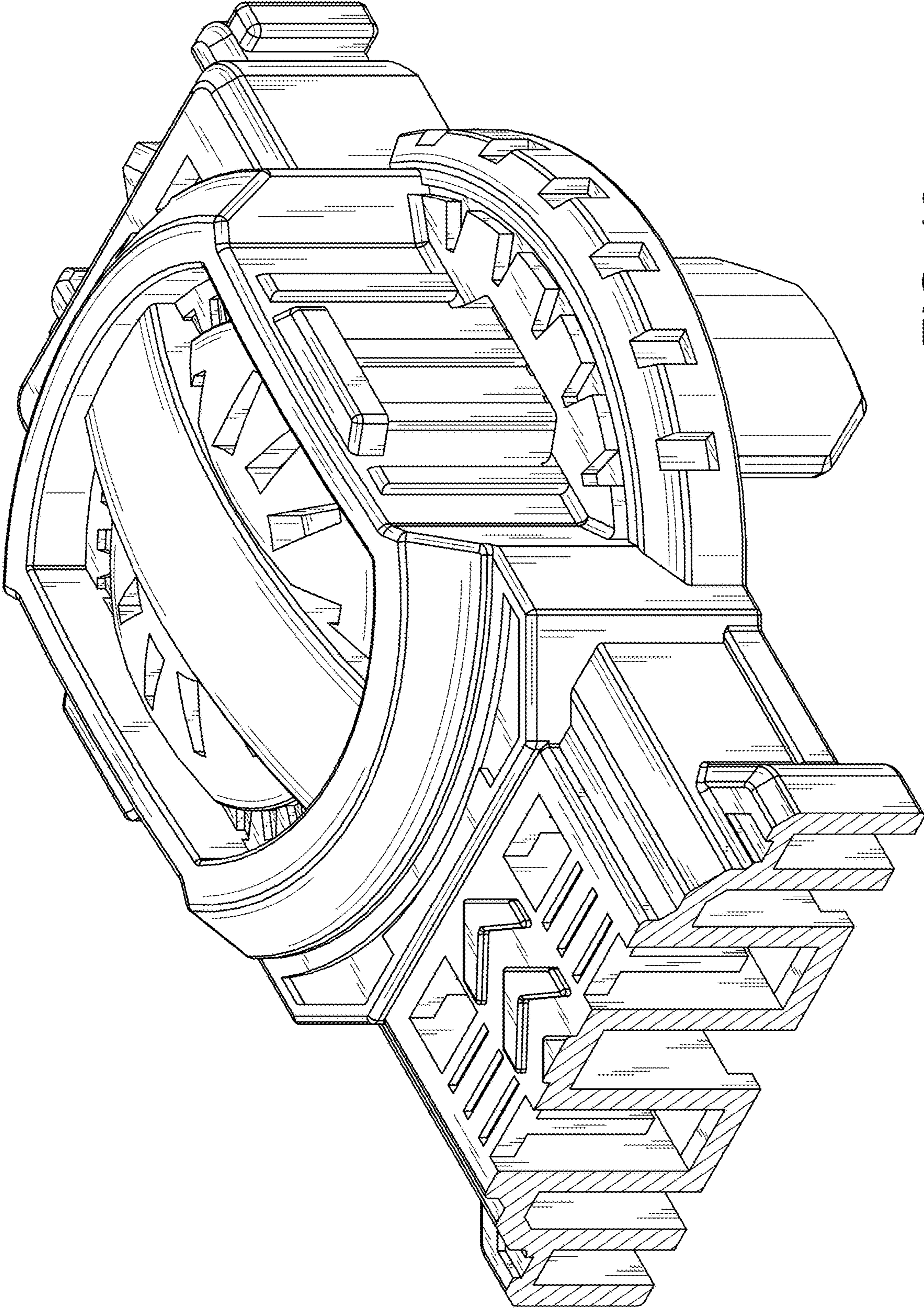


FIG. 13