



US00D908175S

(12) **United States Design Patent** (10) **Patent No.:** **US D908,175 S**
Tang (45) **Date of Patent:** **** Jan. 19, 2021**

(54) **TOY PAPER AIRPLANE LAUNCHER**
(71) Applicant: **MerchSource, LLC**, Irvine, CA (US)
(72) Inventor: **Daniel Chi Hau Tang**, Sheffield (GB)
(73) Assignee: **MerchSource, LLC**, Irvine, CA (US)
(**) Term: **15 Years**
(21) Appl. No.: **29/673,103**
(22) Filed: **Dec. 12, 2018**
(51) **LOC (13) Cl.** **21-04**
(52) **U.S. Cl.**
USPC **D21/454**
(58) **Field of Classification Search**
USPC D12/319–345, 16.1, 1–4, 415, 401;
D21/436–455, 769, 771, 461, 573;
D15/199; D32/21; D25/4; D6/514,
D6/705.7, 706, 675, 675.3, 677.3
CPC B64C 2201/146; B64C 2201/027; B64C
2201/104; B64C 25/06; B64C 25/24;
B64C 39/04; B64C 5/02
See application file for complete search history.

(56) **References Cited**
U.S. PATENT DOCUMENTS

D143,080	S	*	12/1945	Lear et al.	D12/345
D248,988	S	*	8/1978	Goldfarb	D21/454
5,611,322	A	*	3/1997	Matsuzaki	F41B 4/00 124/6
D544,044	S	*	6/2007	Siebert	D21/455
D550,781	S	*	9/2007	Laurienzo	D21/454
D554,201	S	*	10/2007	Vetuskey	D21/454
D635,620	S	*	4/2011	Nadel	D21/573
D658,726	S	*	5/2012	Greiner	D21/570
D666,681	S	*	9/2012	Coulter	D14/400
D673,625	S	*	1/2013	Mowbray	D21/573
8,715,032	B2	*	5/2014	Horikoshi	A63H 1/12 446/256
D759,164	S	*	6/2016	Bei	D21/454
D760,326	S	*	6/2016	Chu	D21/573

D825,677	S	*	8/2018	Kitamura	D21/461
D834,112	S	*	11/2018	Chu	D21/573
D843,490	S	*	3/2019	Kelemen	D21/461
2002/0098768	A1	*	7/2002	Kuo	A63H 27/12 446/39

(Continued)

OTHER PUBLICATIONS

Paper Airplane Launcher. by Sharper Image. earliest review dated Jan. 10, 2020. found online [Apr. 15, 2020] <https://faoschwarz.com/collections/sharper-image/products/paper-airplane-launcher>.*

Primary Examiner — Marissa J Cash
(74) *Attorney, Agent, or Firm* — Avyno Law P.C.

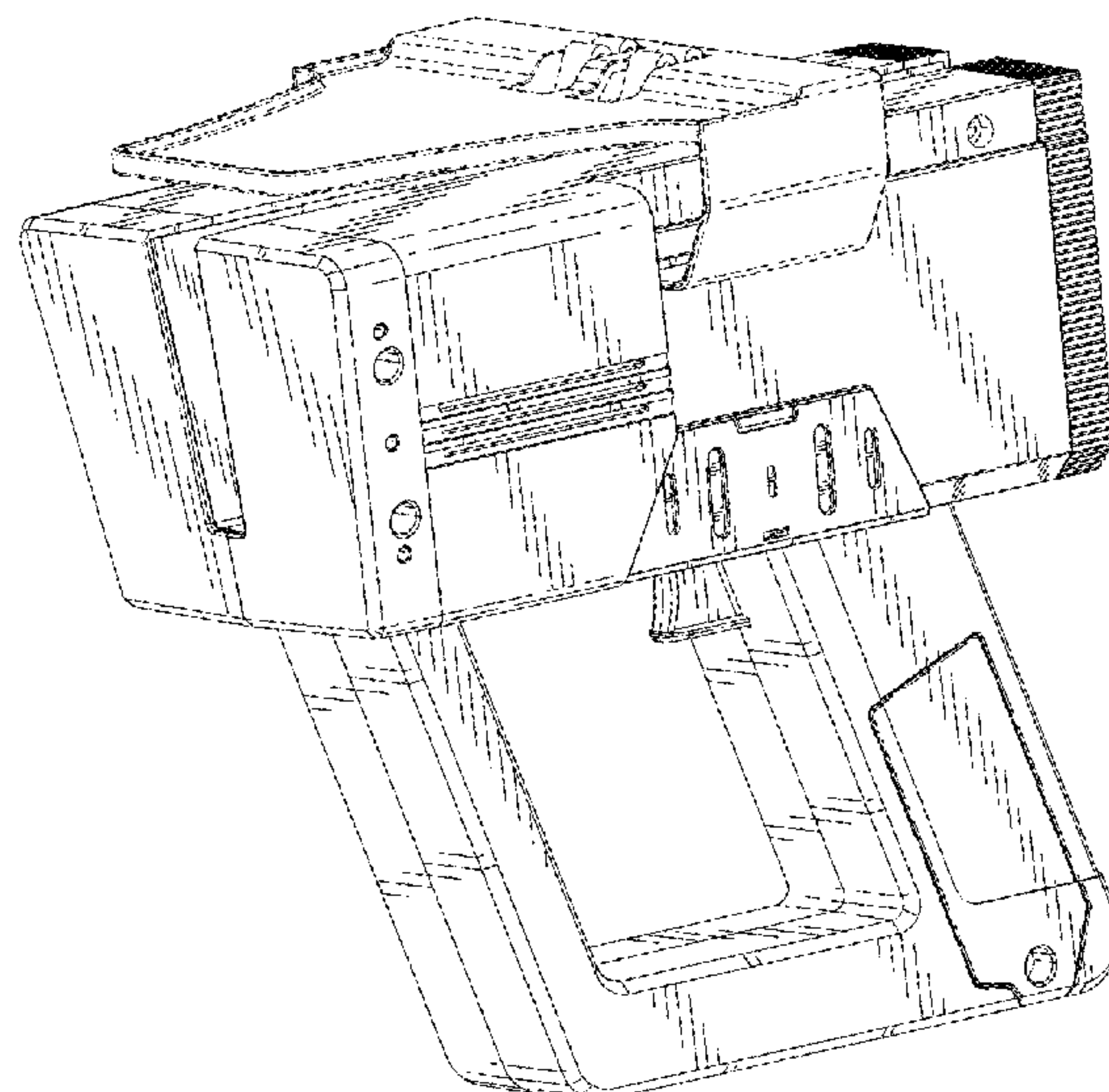
(57) **CLAIM**

I claim the ornamental design for a toy paper airplane launcher, as shown and described.

DESCRIPTION

FIG. 1 is a front perspective view of a toy paper airplane launcher.
FIG. 2 is a rear perspective view of the toy paper airplane launcher of FIG. 1.
FIG. 3 is a side view of the right side of the toy paper airplane launcher of FIG. 1.
FIG. 4 is a side view of the left side of the toy paper airplane launcher of FIG. 1.
FIG. 5 is a top view of the toy paper airplane launcher of FIG. 1.
FIG. 6 is a bottom view of the toy paper airplane launcher of FIG. 1.
FIG. 7 is a front view of the toy paper airplane launcher of FIG. 1; and,
FIG. 8 is a back view of the toy paper airplane launcher of FIG. 1.
In the drawings, the broken lines depict portions of the toy paper airplane launcher that form no part of the claimed design.

1 Claim, 4 Drawing Sheets



(56)

References Cited

U.S. PATENT DOCUMENTS

2005/0142983 A1* 6/2005 Matsukawa A63H 1/06
446/246

* cited by examiner

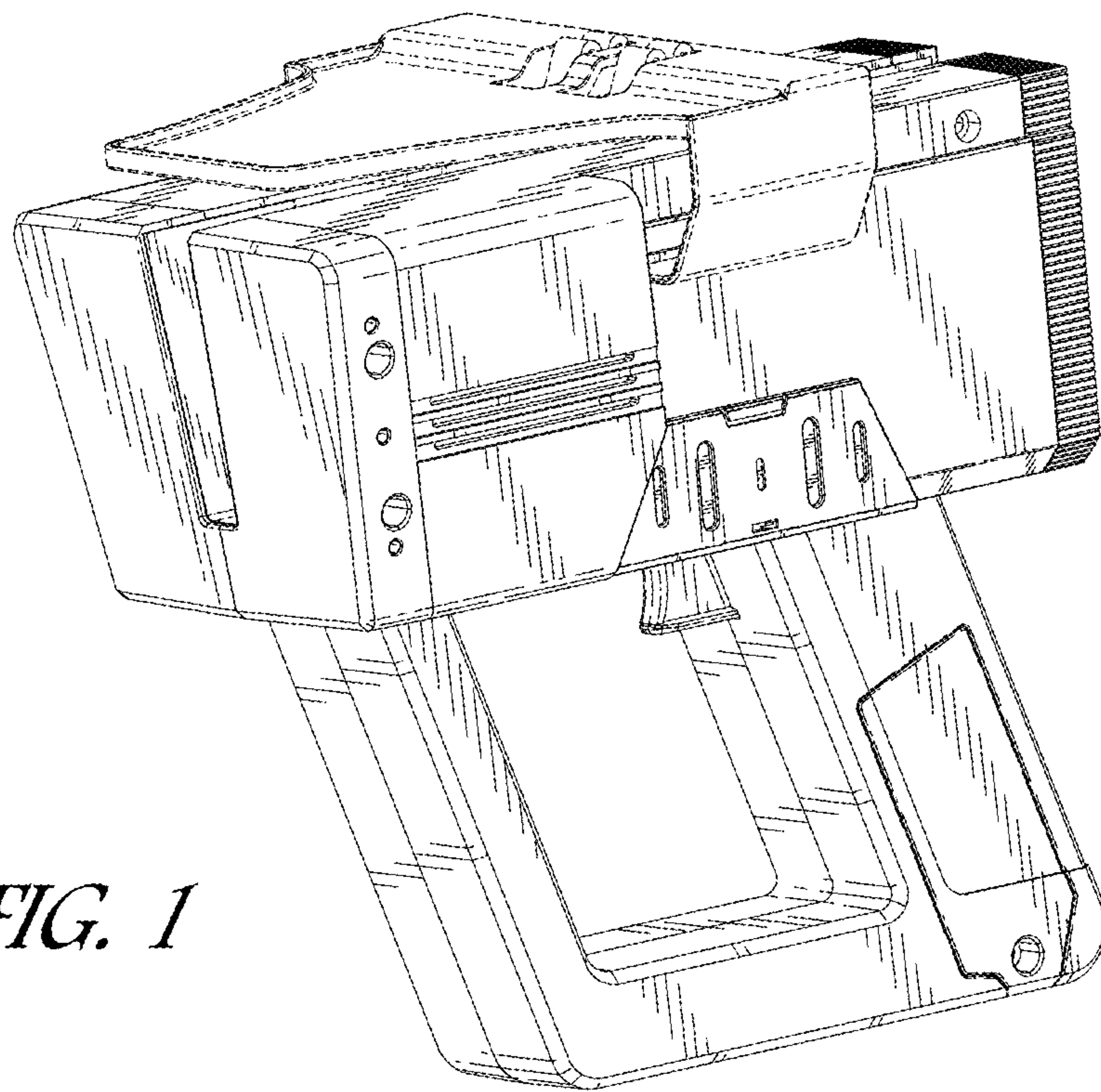


FIG. 1

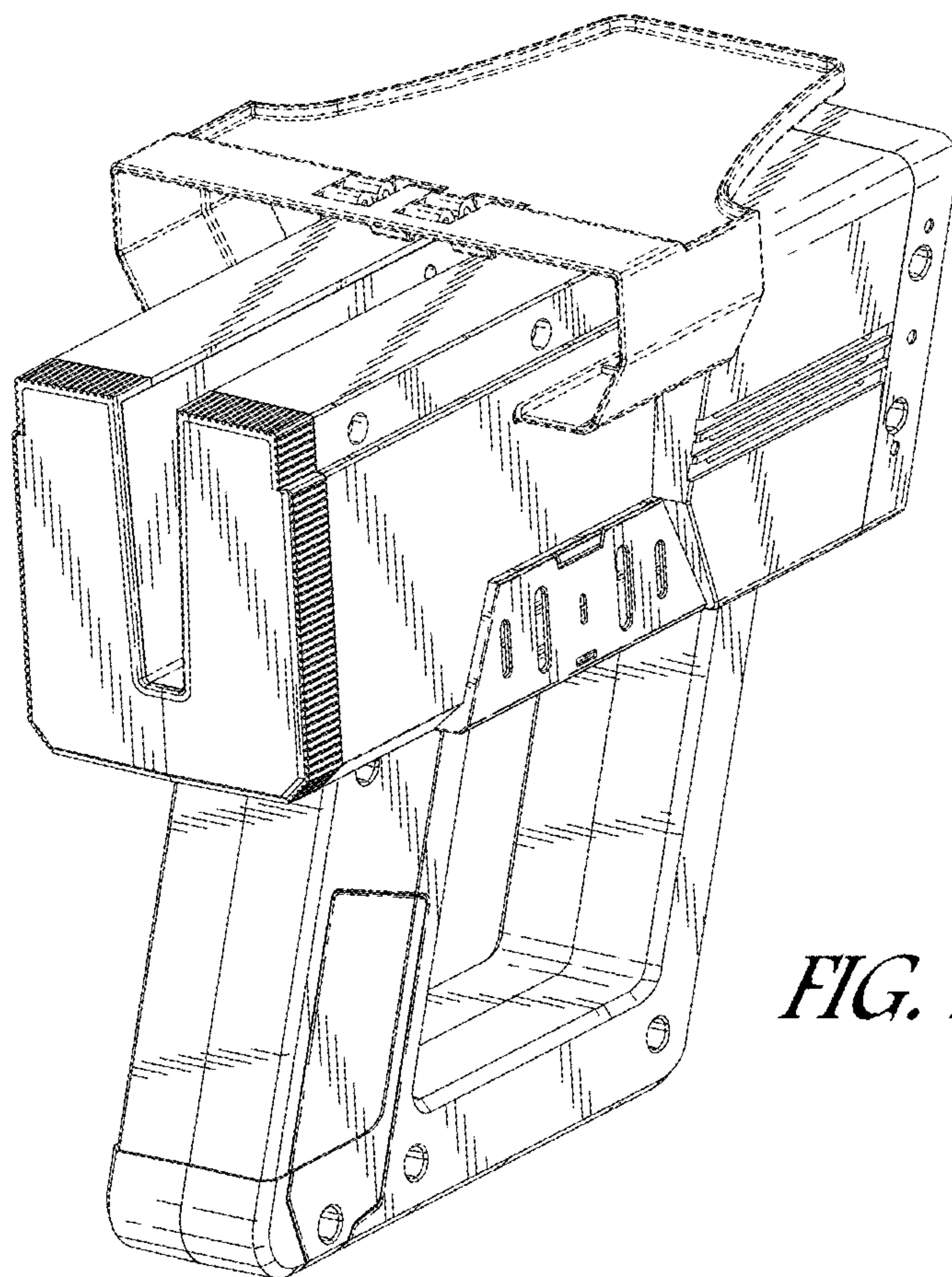


FIG. 2

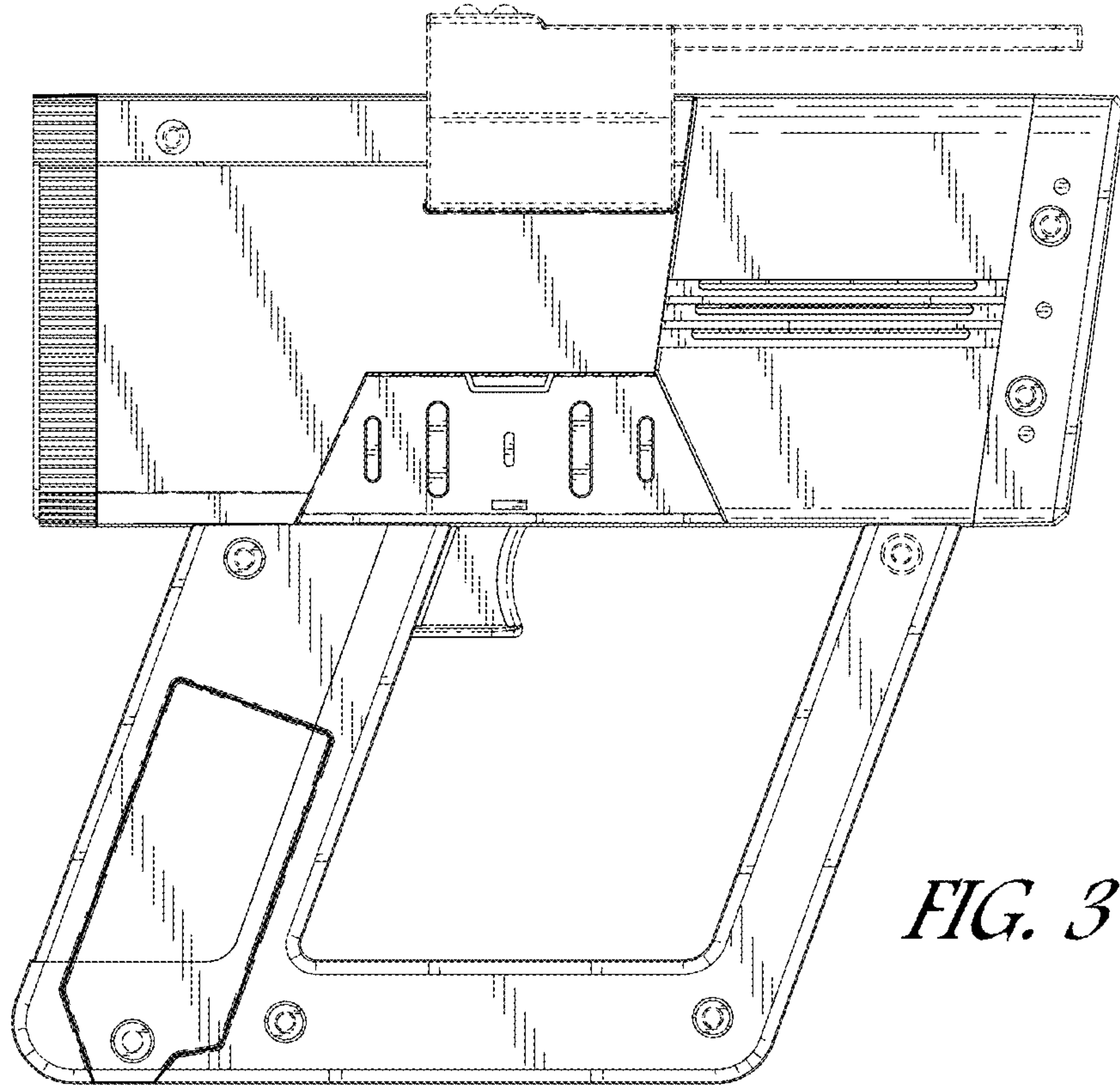


FIG. 3

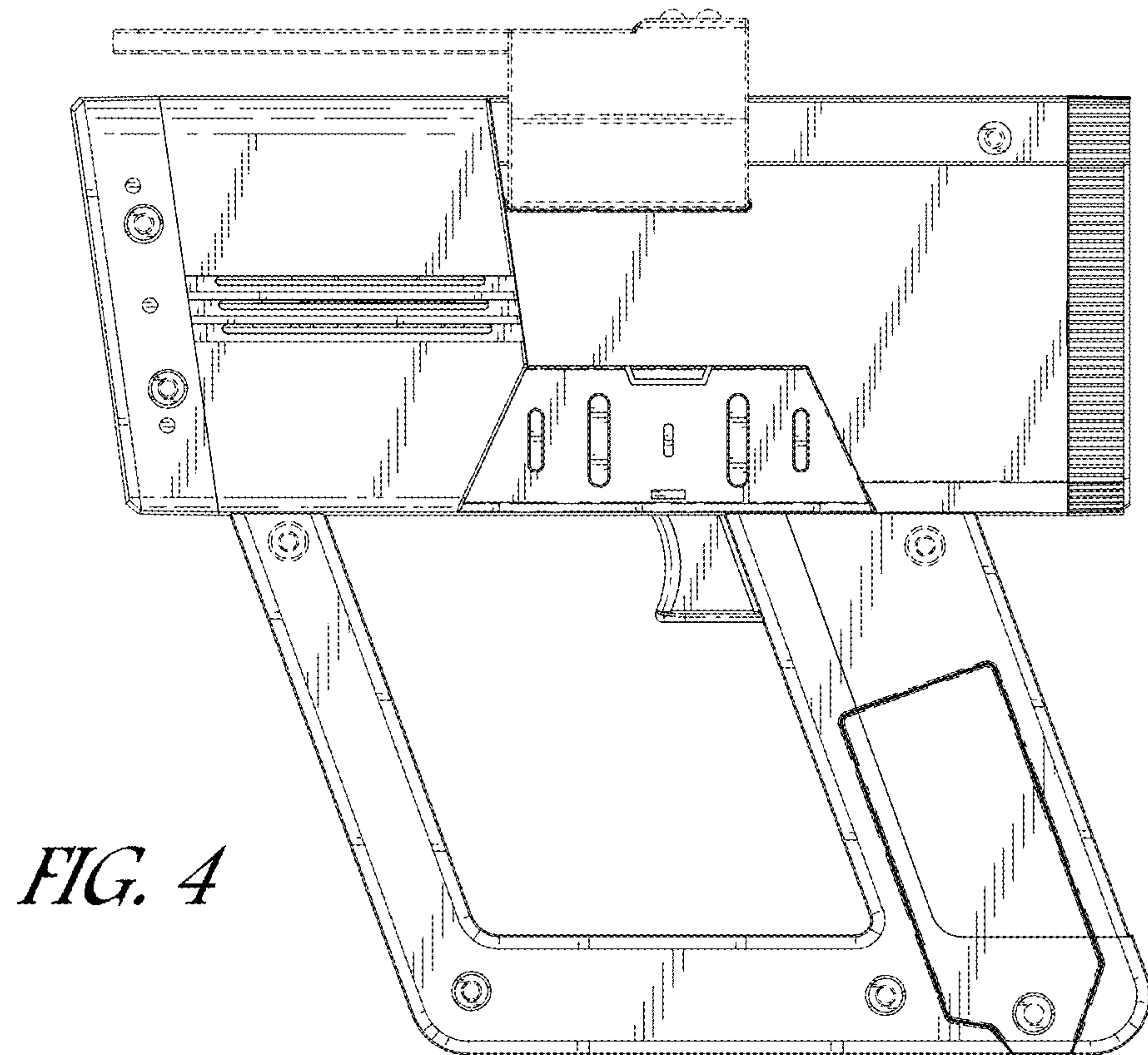


FIG. 4

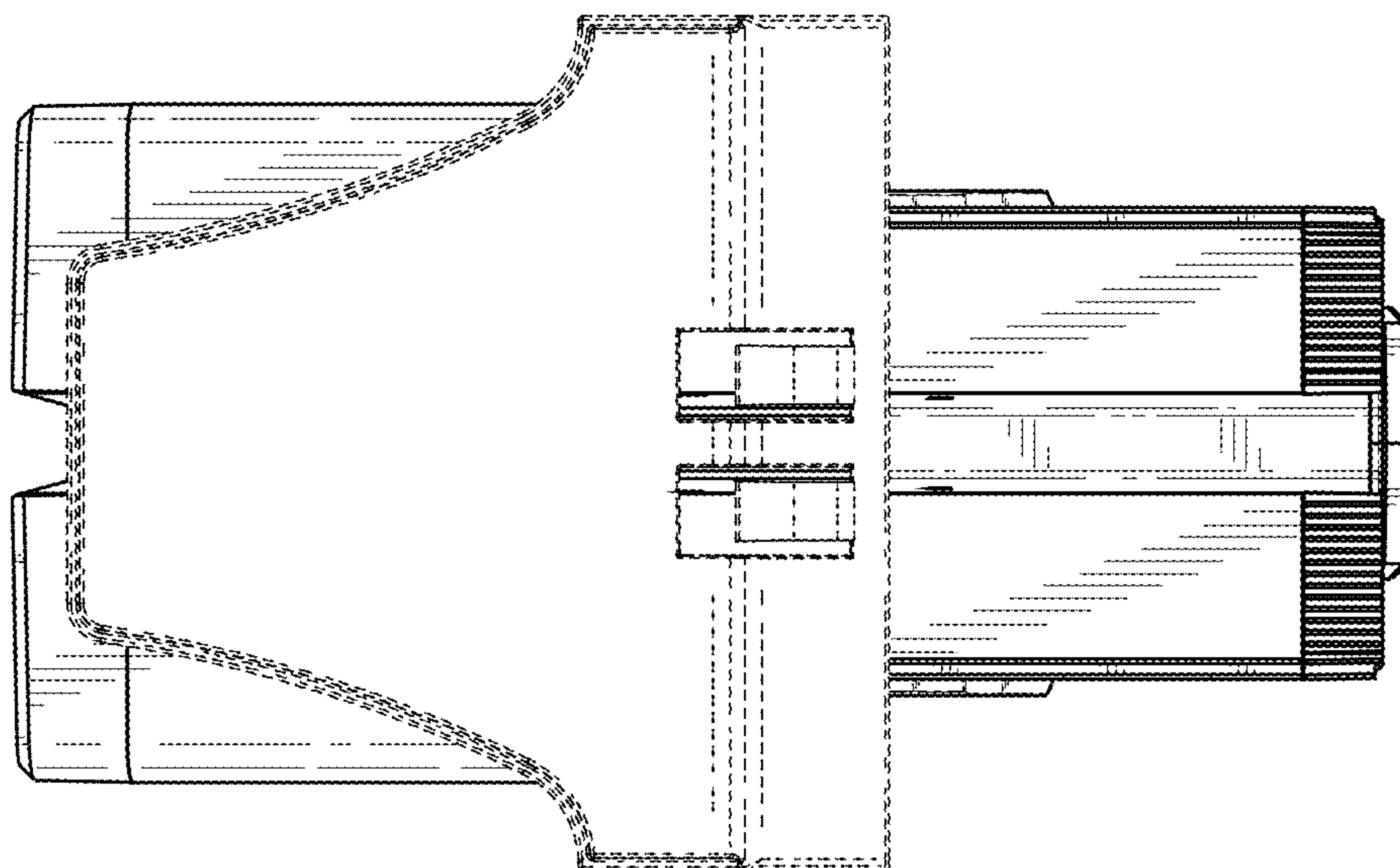


FIG. 5

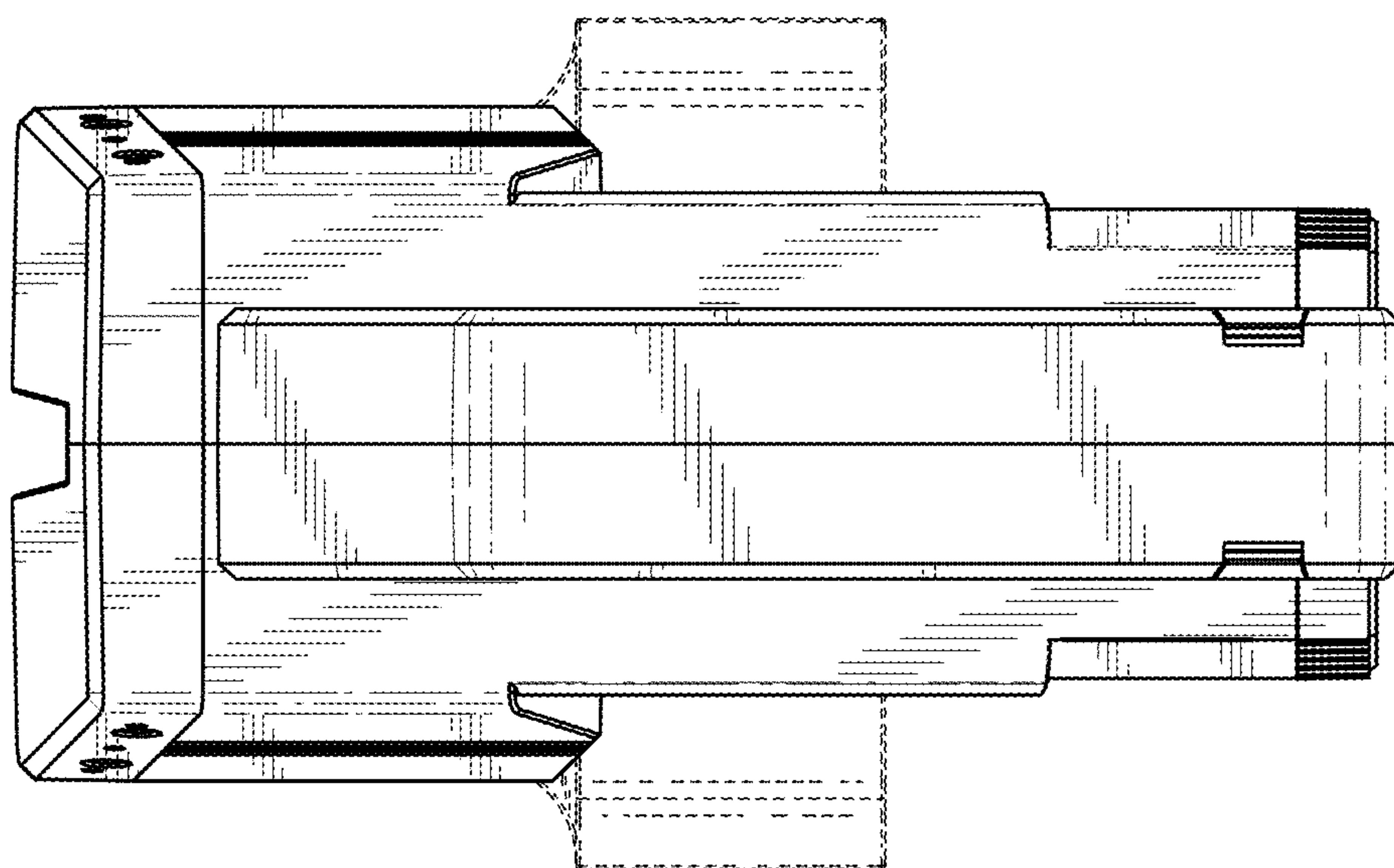


FIG. 6

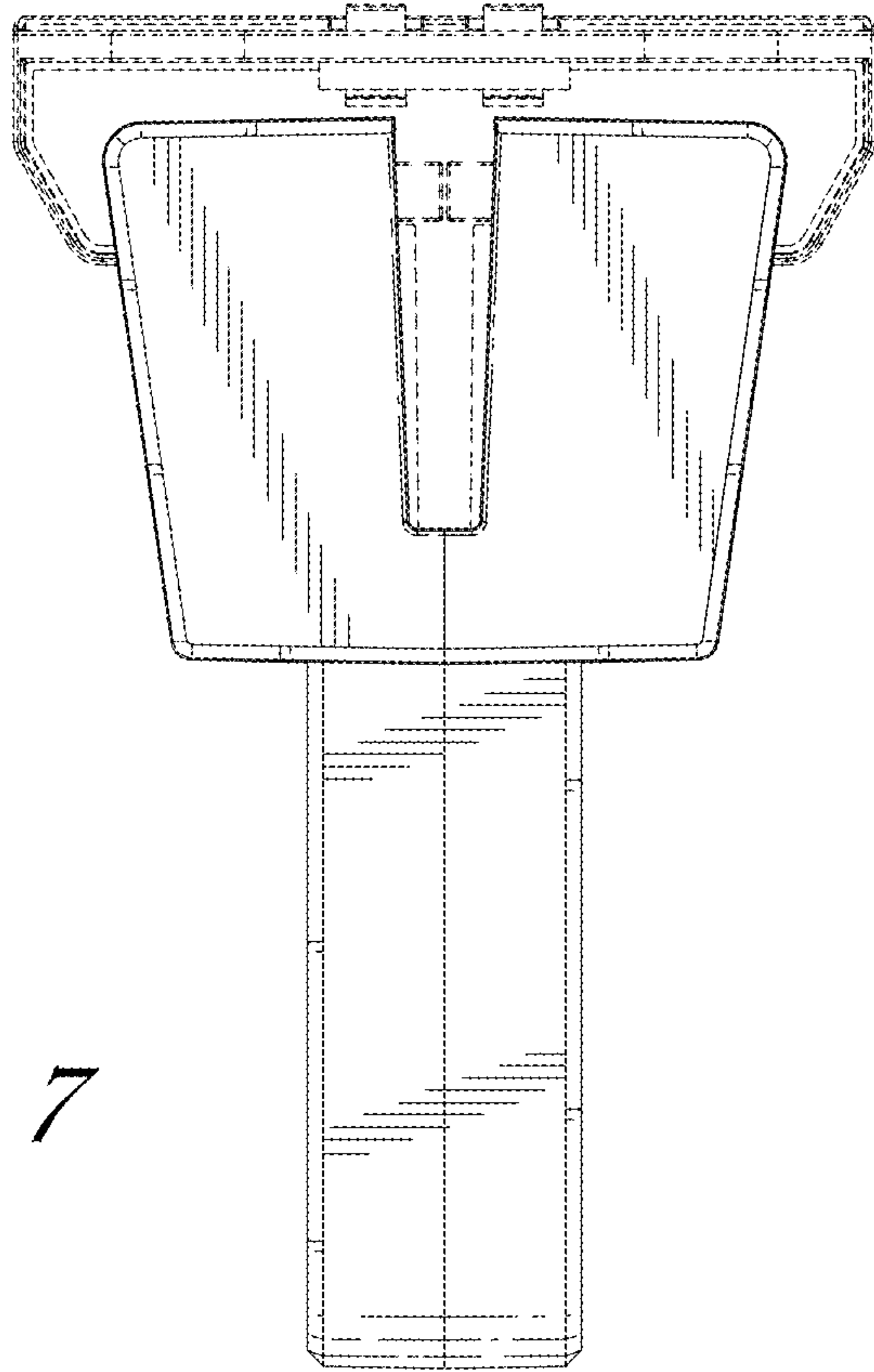


FIG. 7

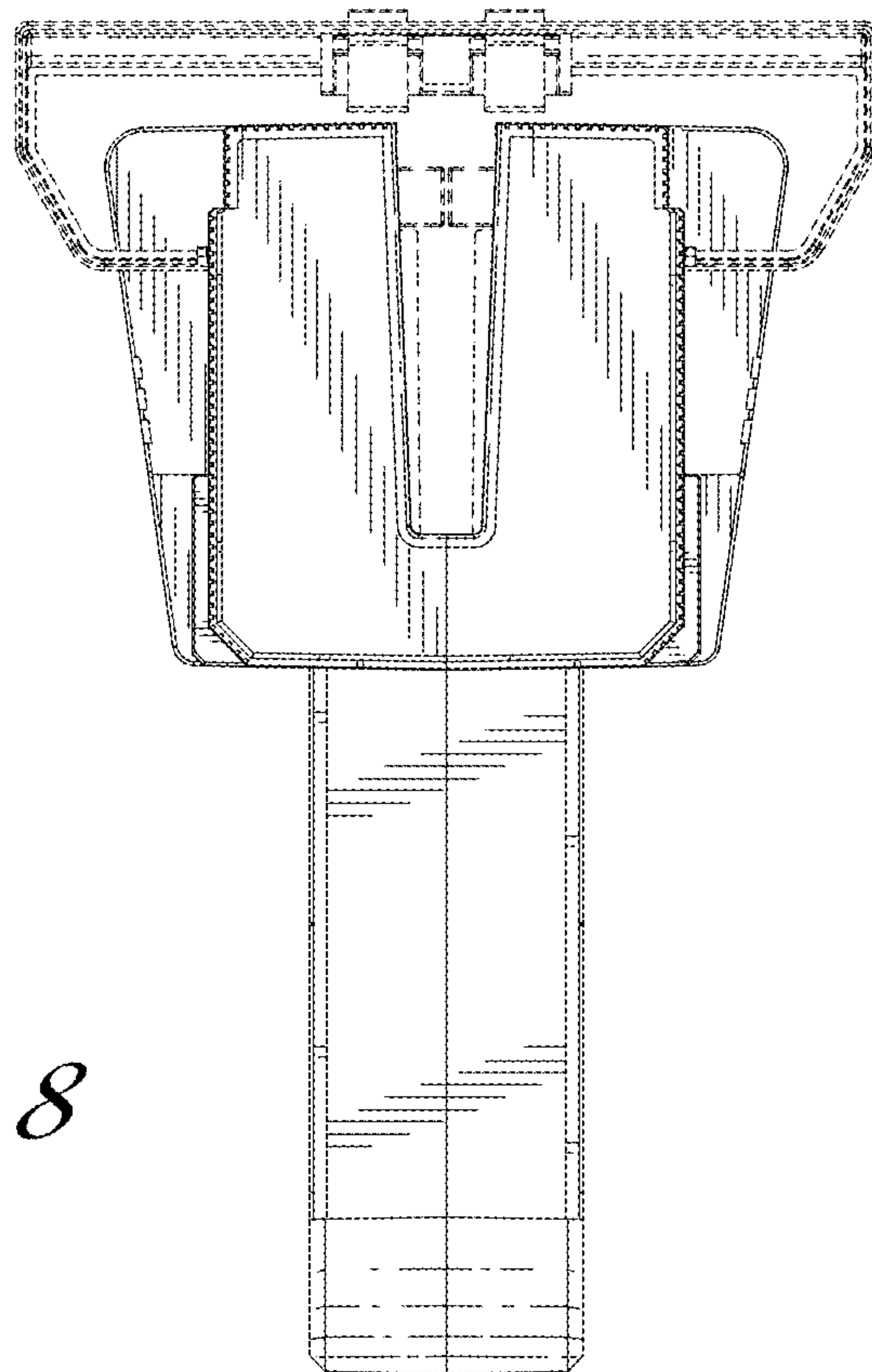


FIG. 8