



US00D908169S

(12) **United States Design Patent**
Ikeda et al.

(10) **Patent No.:** **US D908,169 S**
(45) **Date of Patent:** **** Jan. 19, 2021**

(54) **TONER CARTRIDGE**

(71) Applicant: **KONICA MINOLTA, INC.**, Tokyo (JP)

(72) Inventors: **Hideaki Ikeda**, Toyokawa (JP); **Hideji Higashimura**, Toyokawa (JP); **Takeru Kinoshita**, Toyokawa (JP)

(73) Assignee: **KONICA MINOLTA, INC.**, Tokyo (JP)

(**) Term: **15 Years**

(21) Appl. No.: **29/673,274**

(22) Filed: **Dec. 13, 2018**

(30) **Foreign Application Priority Data**

Sep. 21, 2018 (JP) 2018-020532

(51) **LOC (13) Cl.** **16-03**

(52) **U.S. Cl.**
USPC **D18/43; D18/56**

(58) **Field of Classification Search**
USPC D15/122, 135-138, 141, 66, 73, 76-78;
D18/53, 59, 50, 14, 19, 54-57, 36-45,
D18/34.4, 34.5, 34.6, 18, 51;
D14/301-303, 307, 345; D6/691.4, 675,
D6/708; D13/107, 108
CPC B41J 2/14; B41J 1/54; B41J 3/4073; B41J
3/4078; B41F 17/22; B41F 17/003; B41F
17/38; B28B 1/001; G03G 15/08; G03G
15/0891; G03G 15/0875; G03G
2215/0827; G03G 2215/0855; G03G
21/1842

See application file for complete search history.

(56) **References Cited**

U.S. PATENT DOCUMENTS

D400,916 S * 11/1998 Ui D18/43
D404,758 S * 1/1999 Koide D18/43
D430,197 S * 8/2000 Wang D18/43

(Continued)

Primary Examiner — Dana K Weiland

Assistant Examiner — Mary Claire Ramirez

(74) *Attorney, Agent, or Firm* — Buchanan Ingersoll & Rooney PC

(57) **CLAIM**

The ornamental design for a toner cartridge, as shown and described.

DESCRIPTION

FIG. 1 is a front elevational view of a toner cartridge showing our new design;

FIG. 2 is a rear elevational view thereof;

FIG. 3 is a left side elevational view thereof;

FIG. 4 is a right side elevational view thereof;

FIG. 5 is a top plan view thereof;

FIG. 6 is a bottom plan view thereof;

FIG. 7 is a front, left and top perspective view thereof;

FIG. 8 is an enlarged view of the portion of the toner cartridge demarcated as 8 in FIG. 1;

FIG. 9 is an enlarged view the portion of the toner cartridge demarcated as 9 in FIG. 2;

FIG. 10 is an enlarged view of the toner cartridge shown in FIG. 3;

FIG. 11 is an enlarged view of the toner cartridge shown in FIG. 4;

FIG. 12 is an enlarged view of the portion of the toner cartridge demarcated as 12 in FIG. 5;

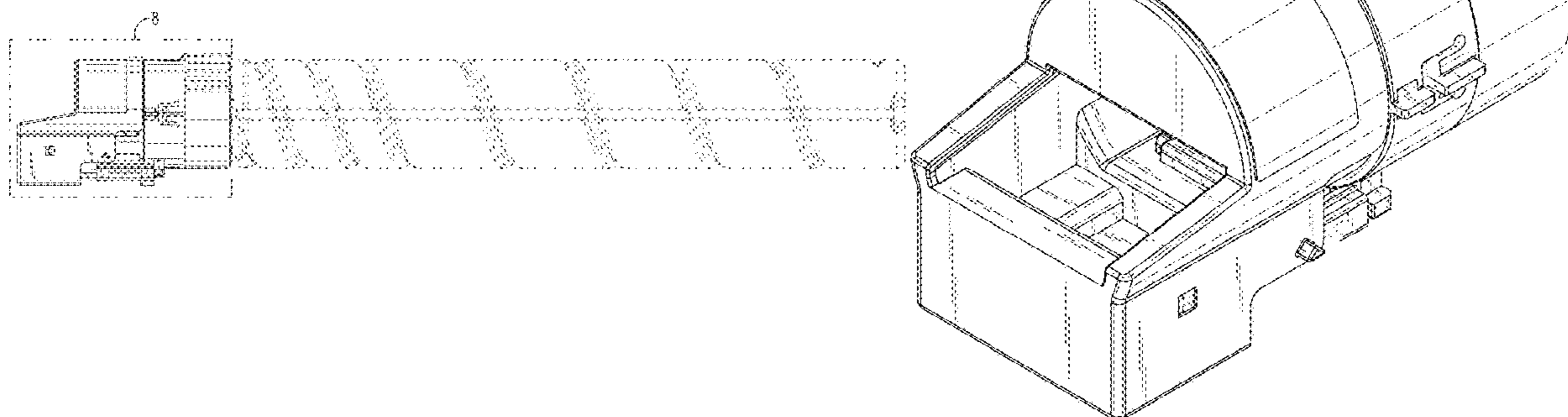
FIG. 13 is an enlarged view of the portion of the toner cartridge demarcated as 13 in FIG. 6;

FIG. 14 is an enlarged view of the portion of the toner cartridge demarcated as 14 in FIG. 7; and,

FIG. 15 is another perspective view showing the toner cartridge in a state of use.

The broken line showing of portions of the toner cartridge form no part of the claimed design. The broken lines showing toner cartridges in FIG. 15 are for environmental purposes only and form no part of the claimed design.

1 Claim, 12 Drawing Sheets



(56)

References Cited

U.S. PATENT DOCUMENTS

D436,121 S *	1/2001	Wang	D18/43	D795,339 S *	8/2017	Kuboki	D18/43
D442,986 S *	5/2001	Tsuji	D18/43	D796,575 S *	9/2017	Murata	D18/43
D472,572 S *	4/2003	Kaiho	D18/43	D798,380 S *	9/2017	Murata	D18/43
D500,076 S *	12/2004	Takuwa	D18/43	D816,153 S *	4/2018	Oizumi	D18/43
D531,662 S *	11/2006	Tsuda	D18/43	D829,813 S *	10/2018	Kubo	D18/43
D532,037 S *	11/2006	Tsuda	D18/43	D829,814 S *	10/2018	Kubo	D18/43
D599,845 S *	9/2009	Kurenuma	D18/43	D855,105 S *	7/2019	Uesugi	D18/40
D602,519 S *	10/2009	Kurenuma	D18/43	D864,288 S *	10/2019	Oizumi	D18/43
D602,985 S *	10/2009	Yoshizawa	D18/43	D879,194 S *	3/2020	Kikuchi	D18/43
D622,311 S *	8/2010	Yoshida	D18/43	D894,267 S *	8/2020	Ikeda	D18/43
D622,759 S *	8/2010	Yoshida	D18/43	10,761,474 B2 *	9/2020	Yamaoka	G03G 15/0867
D630,243 S *	1/2011	Takiguchi	D18/43	2004/0184841 A1 *	9/2004	Tsuda	G03G 15/0872
D630,244 S *	1/2011	Takiguchi	D18/43				399/258
D636,435 S *	4/2011	Naito	D18/43	2006/0034642 A1 *	2/2006	Taguchi	G03G 15/0879
D636,436 S *	4/2011	Takami	D18/43				399/258
D636,813 S *	4/2011	Kikuchi	D18/43	2007/0077100 A1 *	4/2007	Suzuki	G03G 15/0886
8,005,406 B2 *	8/2011	Hosokawa	G03G 15/0886				399/262
			399/258	2007/0122205 A1 *	5/2007	Taguchi	G03G 15/0855
D653,702 S *	2/2012	Amberg	D18/43				399/258
D655,748 S *	3/2012	Takami	D18/43	2010/0202802 A1 *	8/2010	Takeshita	G03G 9/107
D656,181 S *	3/2012	Kikuchi	D18/43				399/258
D689,129 S *	9/2013	Okino	D18/43	2012/0195645 A1 *	8/2012	Takami	G03G 15/0886
D711,462 S *	8/2014	Jimba	D18/43				399/262
D712,459 S *	9/2014	Koshimori	D18/43	2012/0321341 A1 *	12/2012	Hori	G03G 15/0877
D718,382 S *	11/2014	Kikuchi	D18/43				399/110
D758,482 S *	6/2016	Takahashi	G03G 15/55	2014/0294435 A1 *	10/2014	Kikuchi	G03G 15/0868
			D18/43				399/106
9,465,317 B2 *	10/2016	Kikuchi	G03G 15/0886	2017/0176891 A1 *	6/2017	Chuang	G03G 15/0865
9,482,988 B2 *	11/2016	Hosokawa	G03G 15/0877	2017/0293239 A1 *	10/2017	Murata	G03G 15/0872
D793,472 S *	8/2017	Suzuki	D18/43	2018/0143565 A1 *	5/2018	Chuang	G03G 15/0872
				2019/0339633 A1 *	11/2019	Yasuda	G03G 15/0886
				2020/0081372 A1 *	3/2020	Kinoshita	G03G 15/0886

* cited by examiner

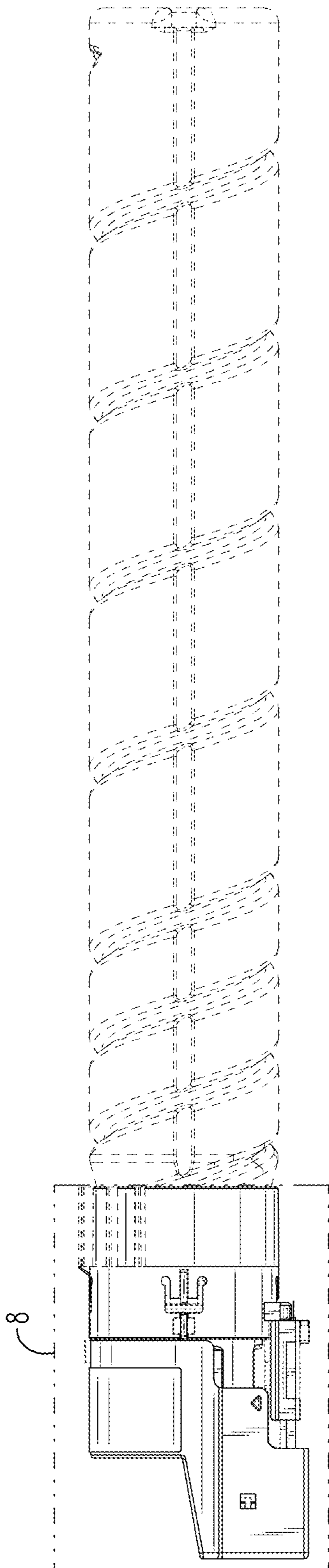


FIG. 1

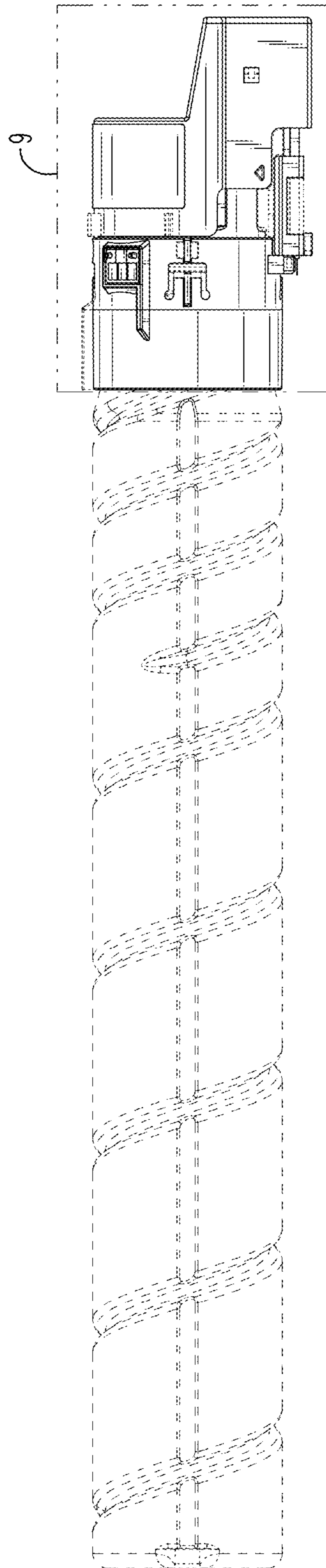


FIG. 2

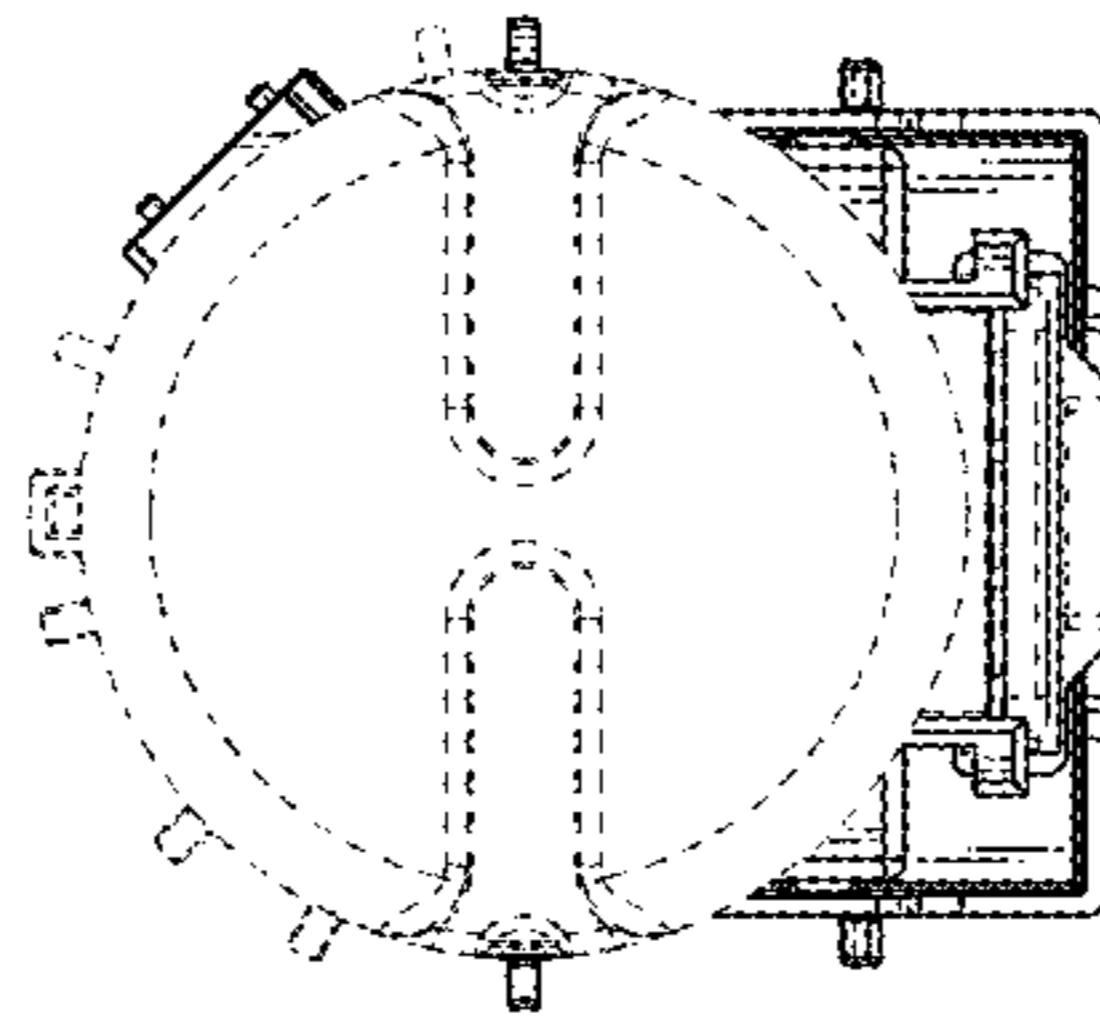


FIG. 4

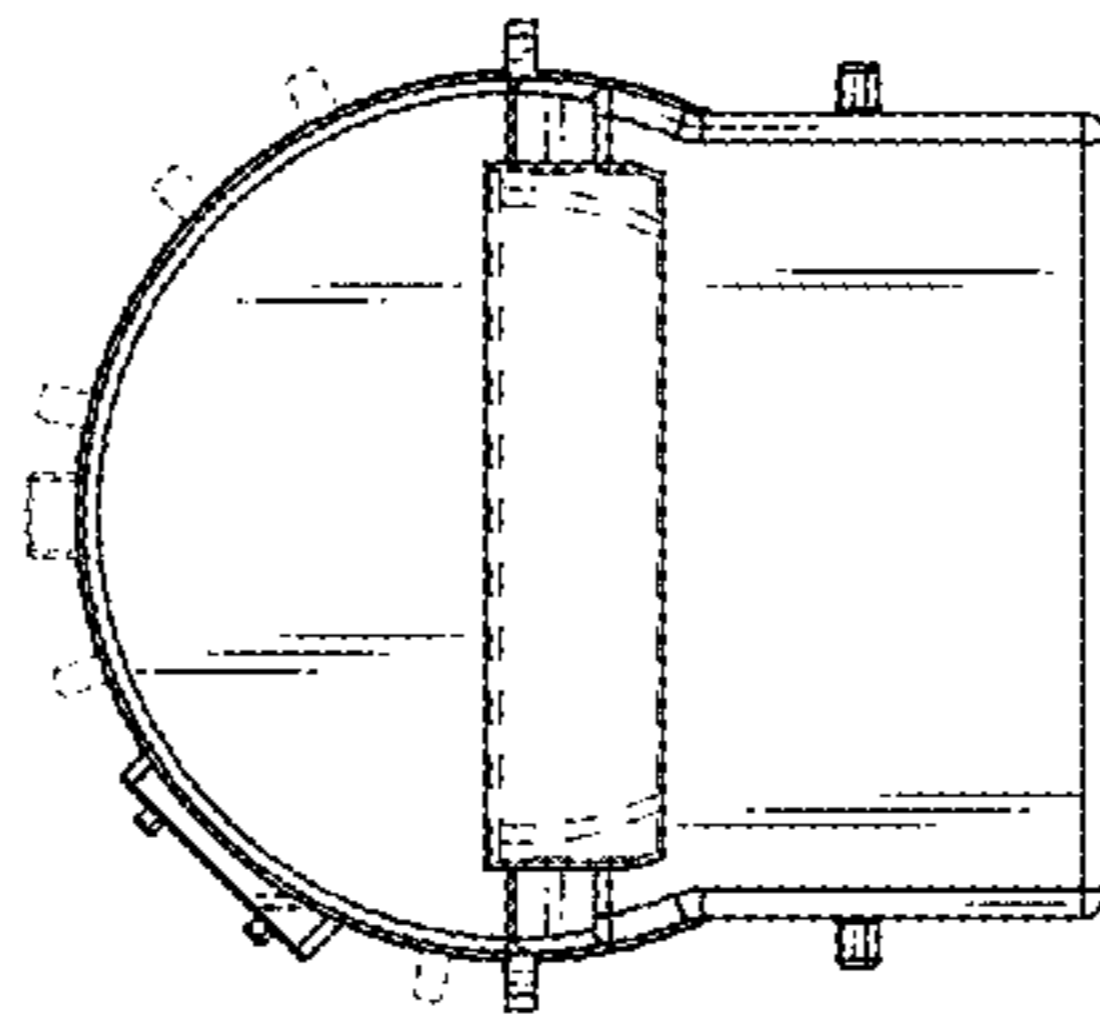


FIG. 3

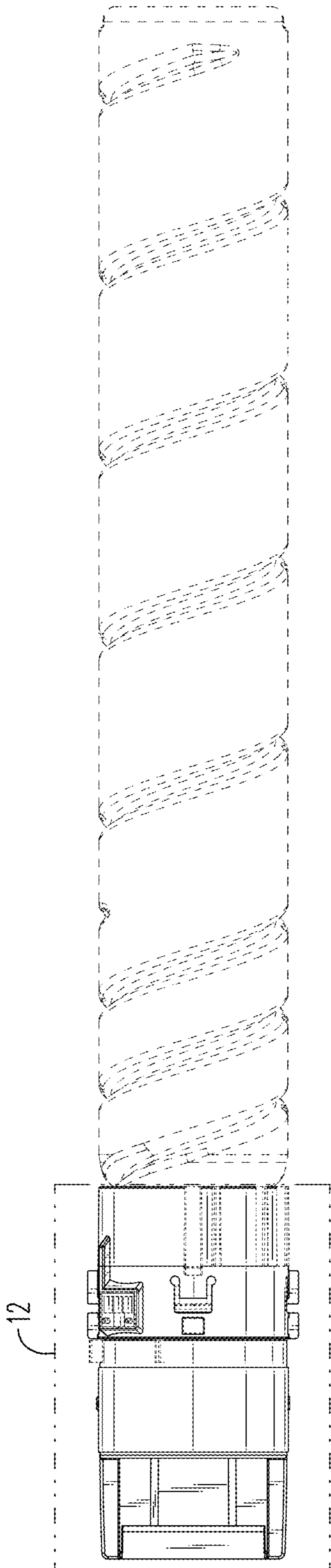


FIG. 5

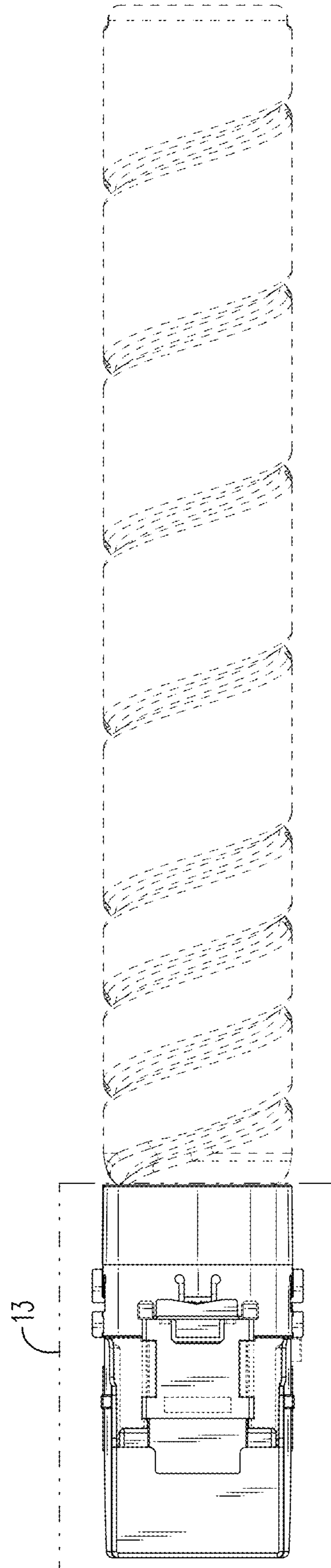


FIG. 6

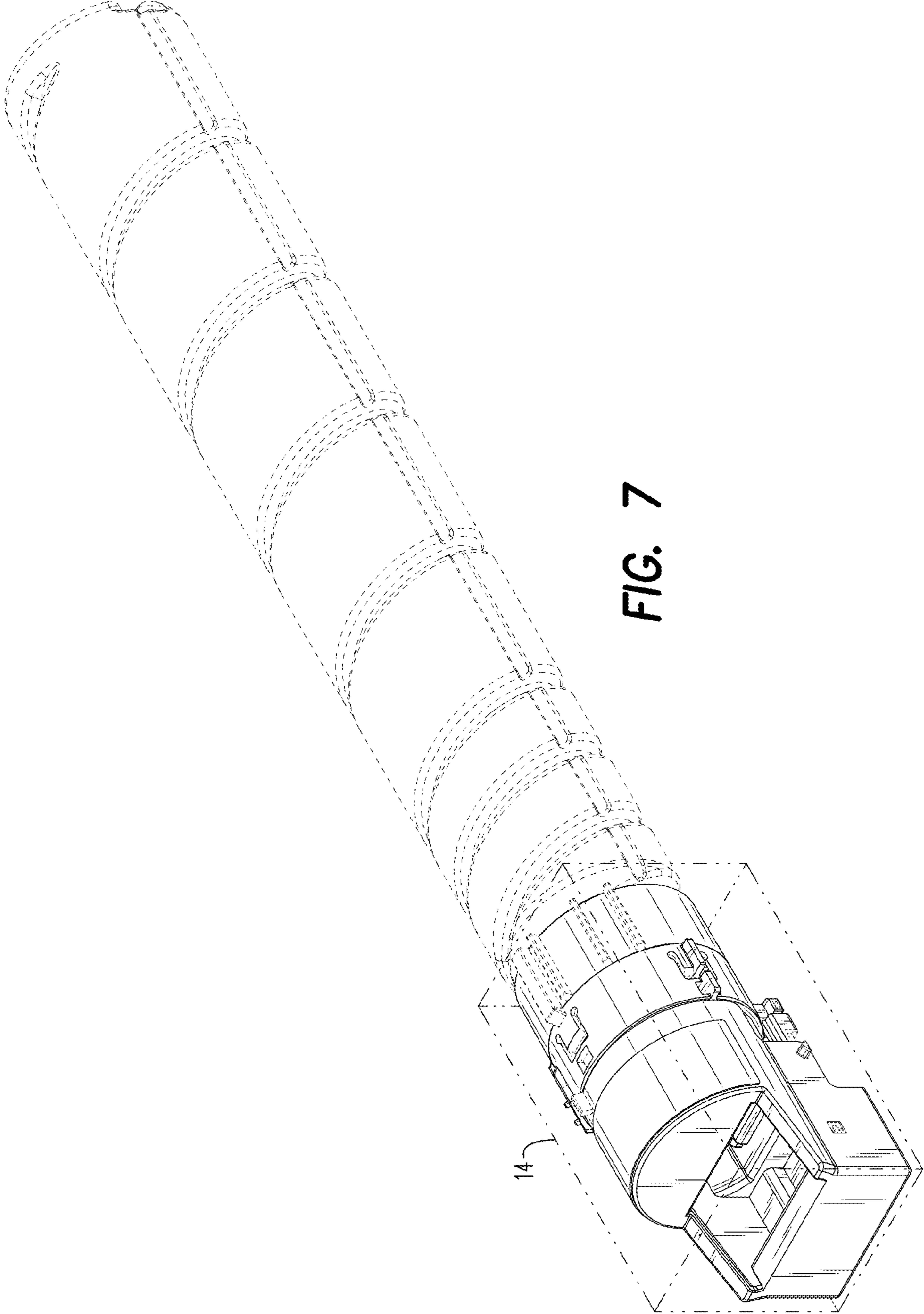


FIG. 7

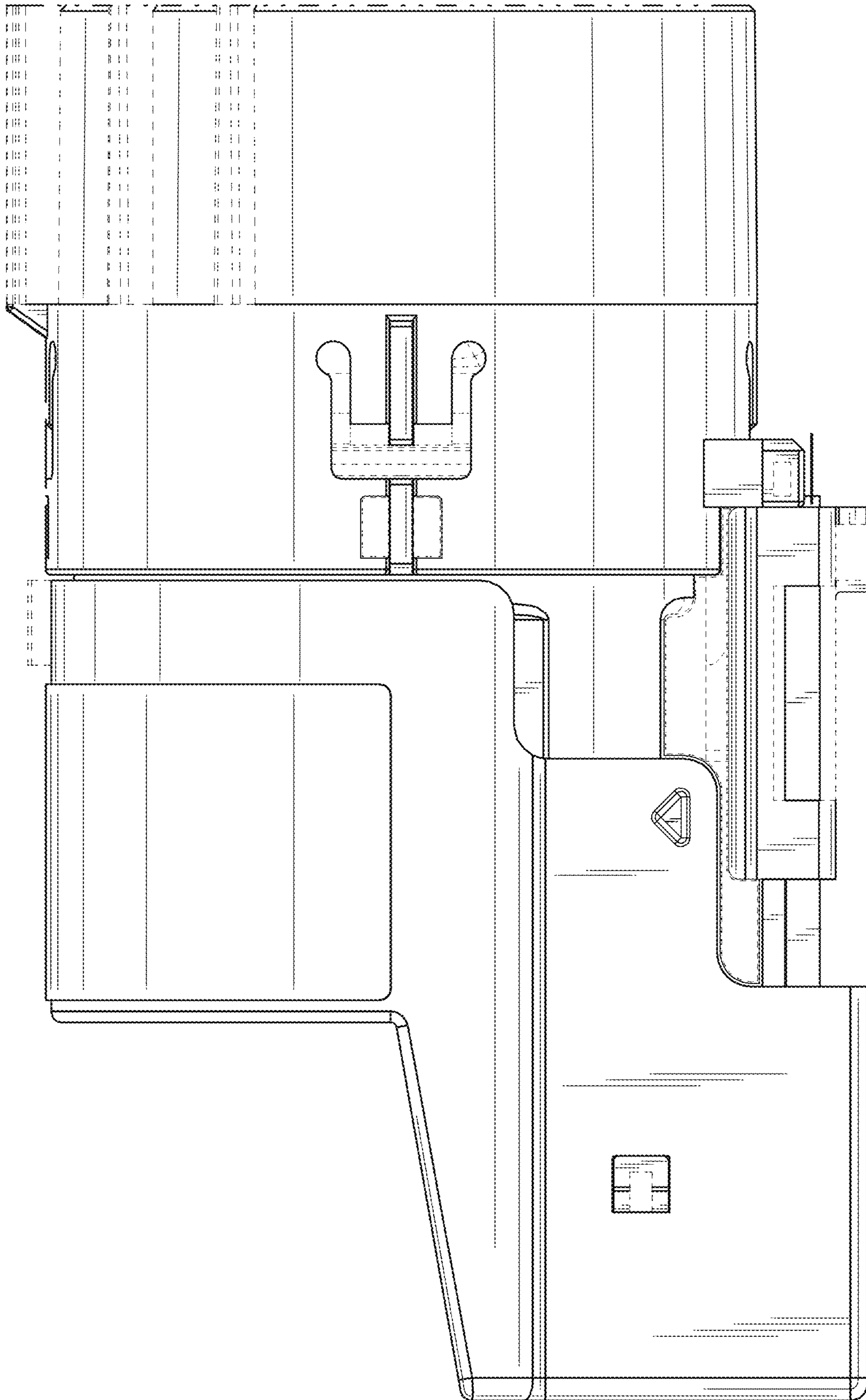


FIG. 8

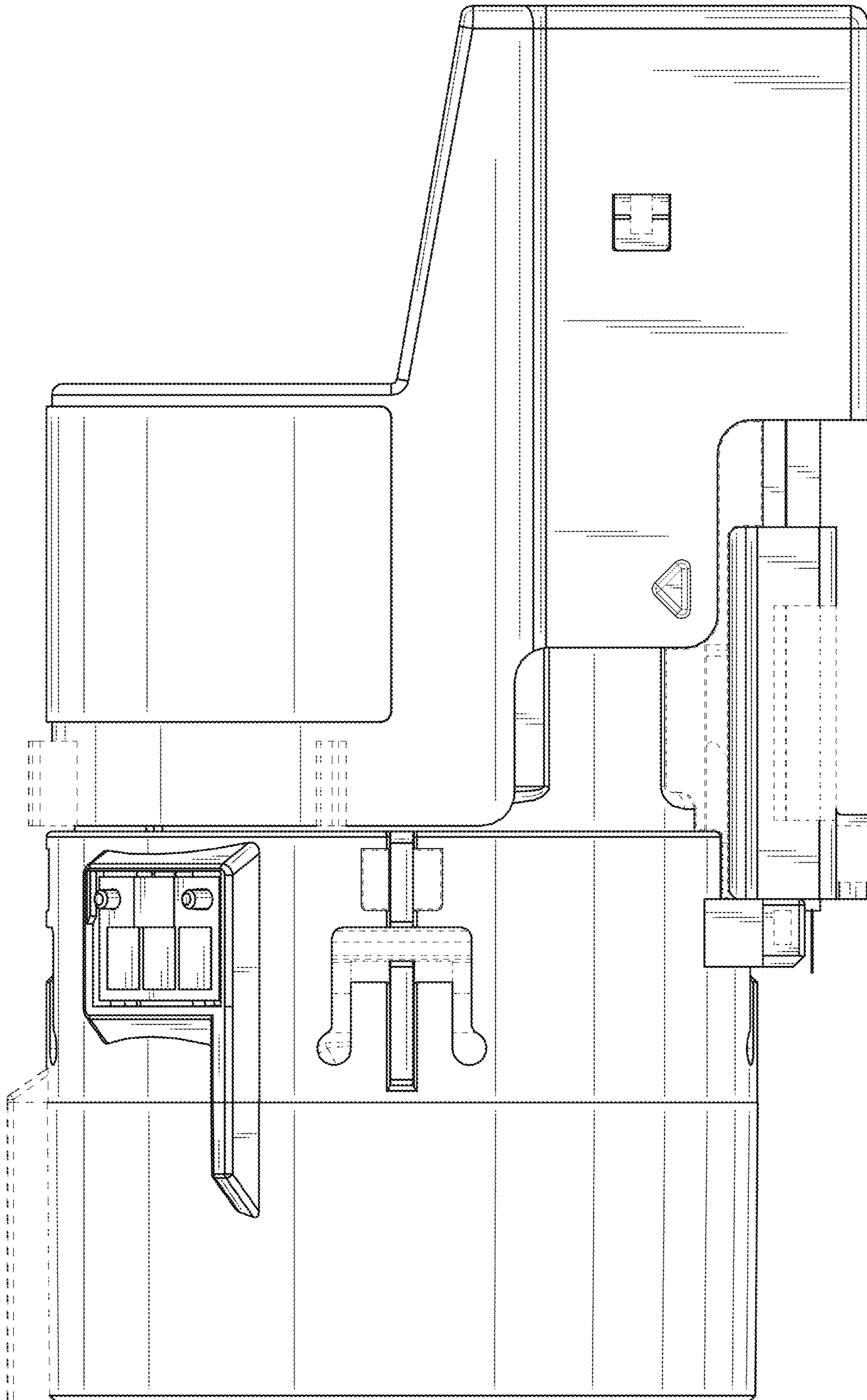


FIG. 9

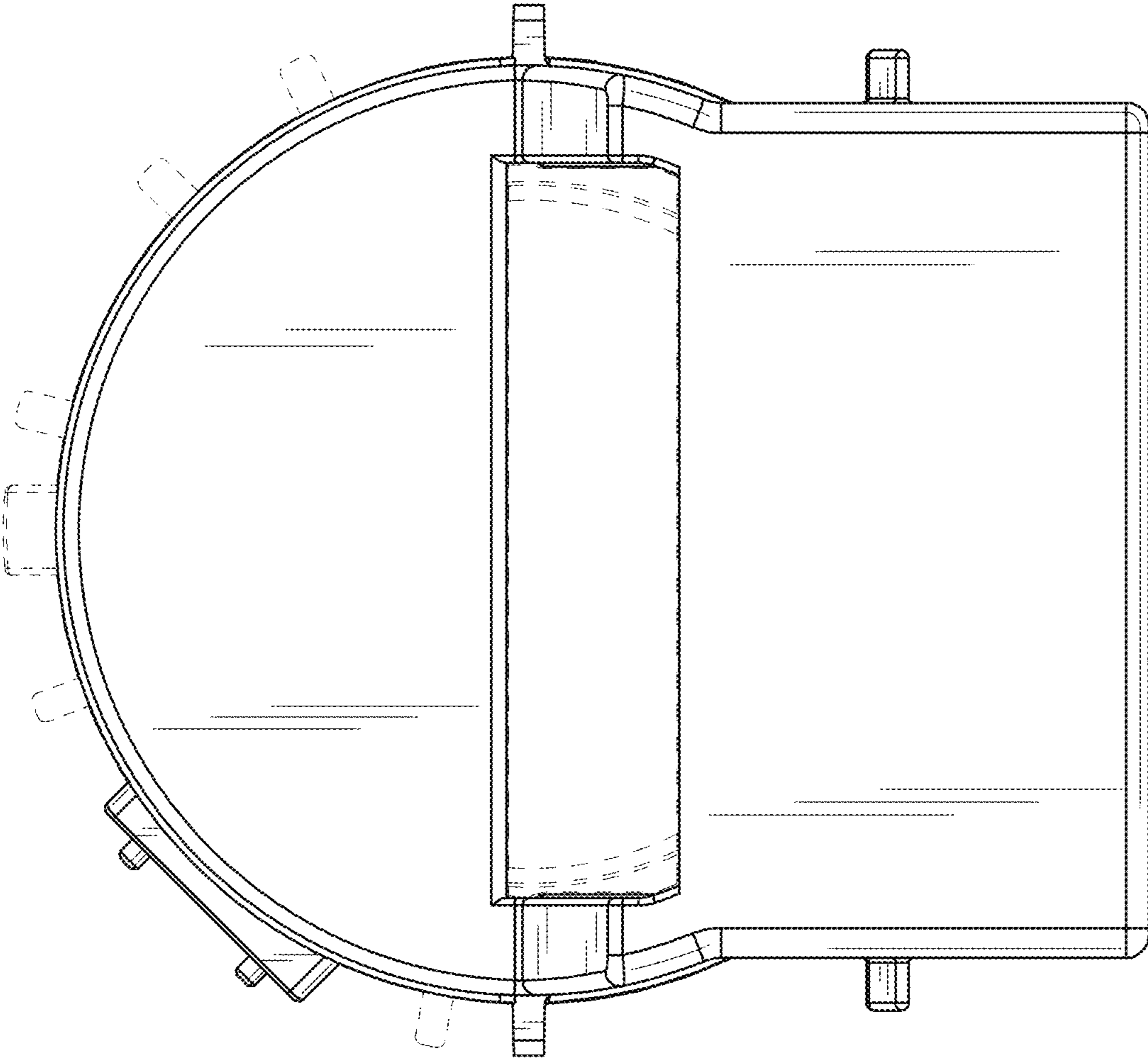


FIG. 10

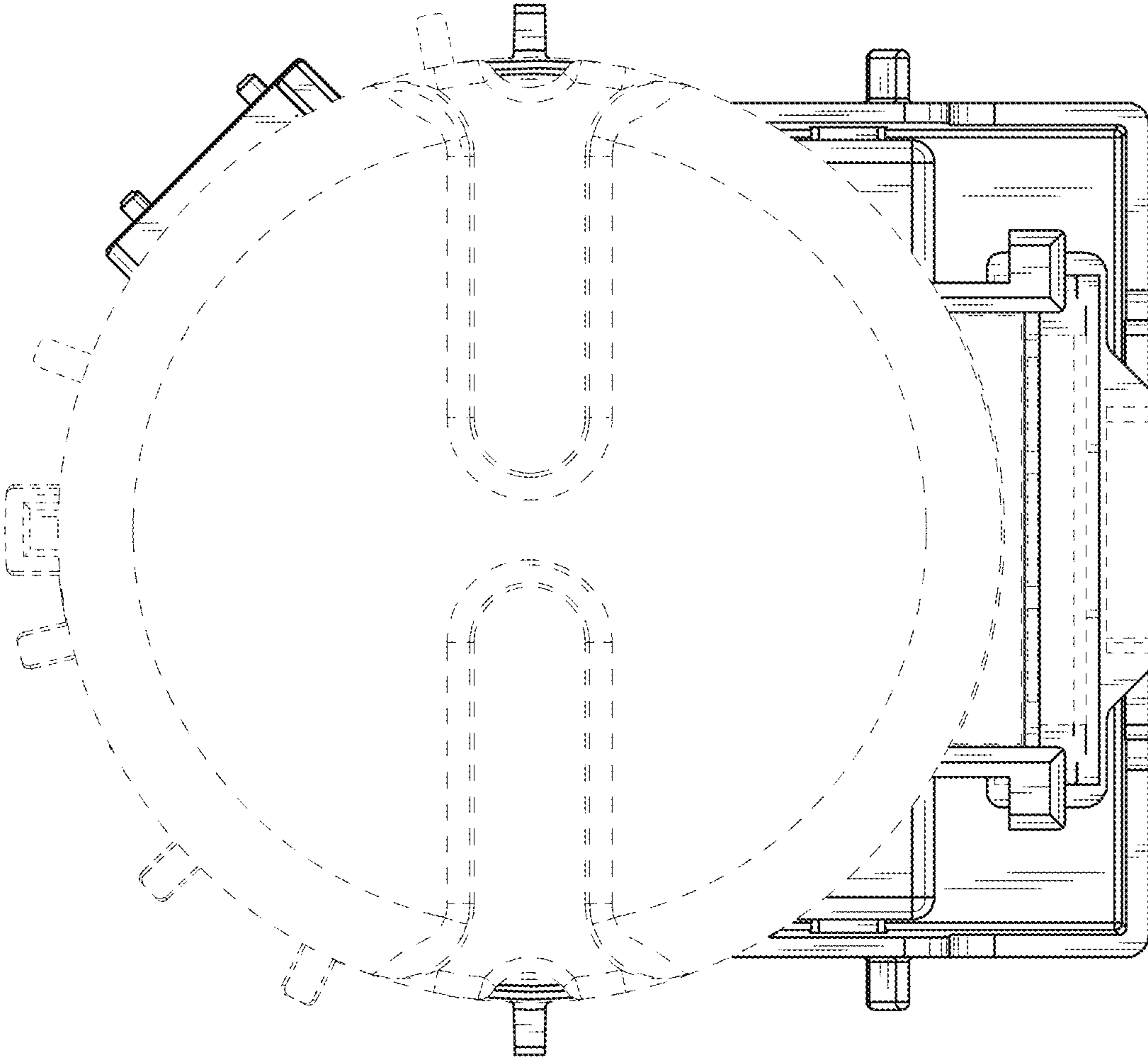


FIG. 11

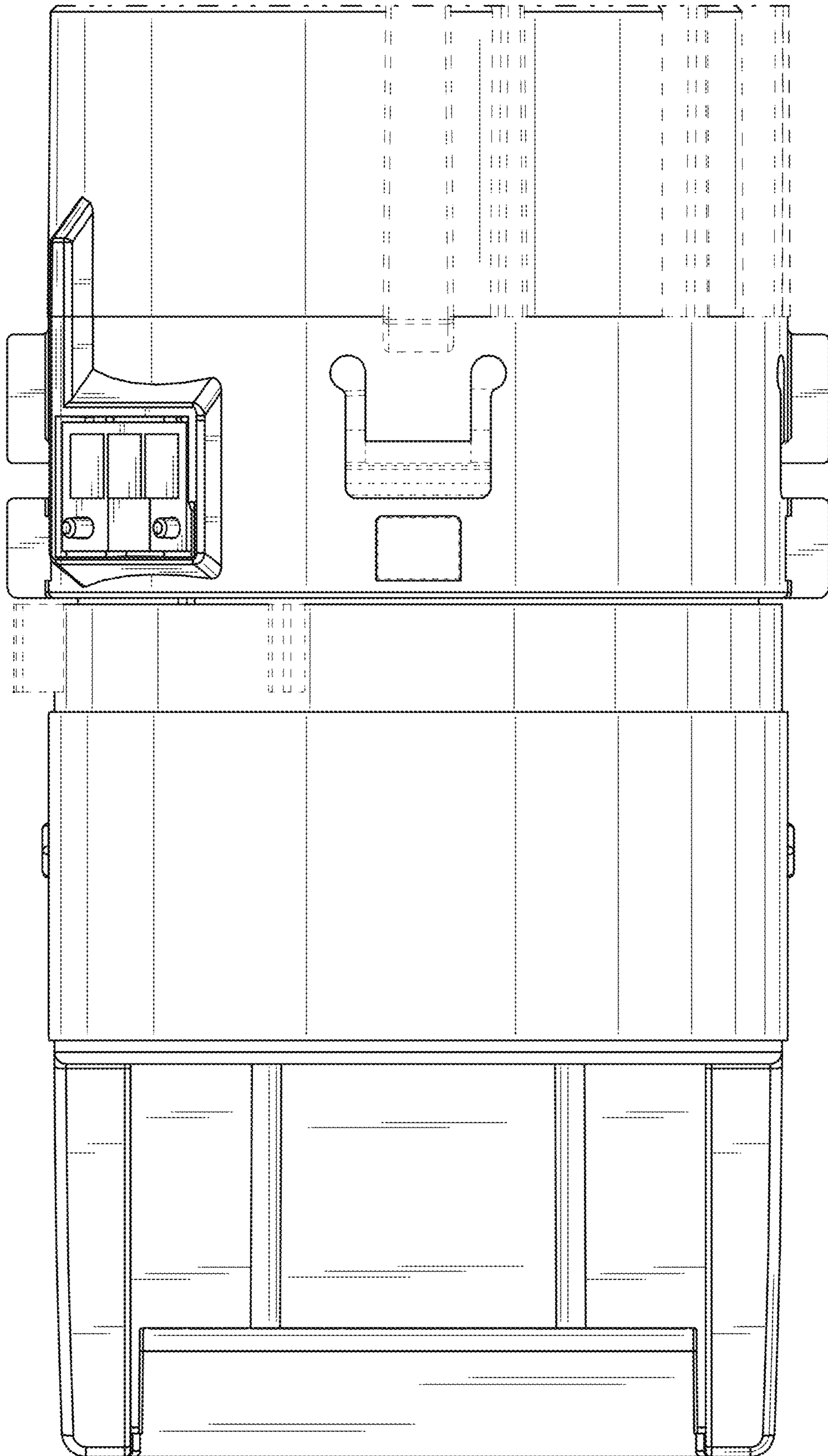


FIG. 12

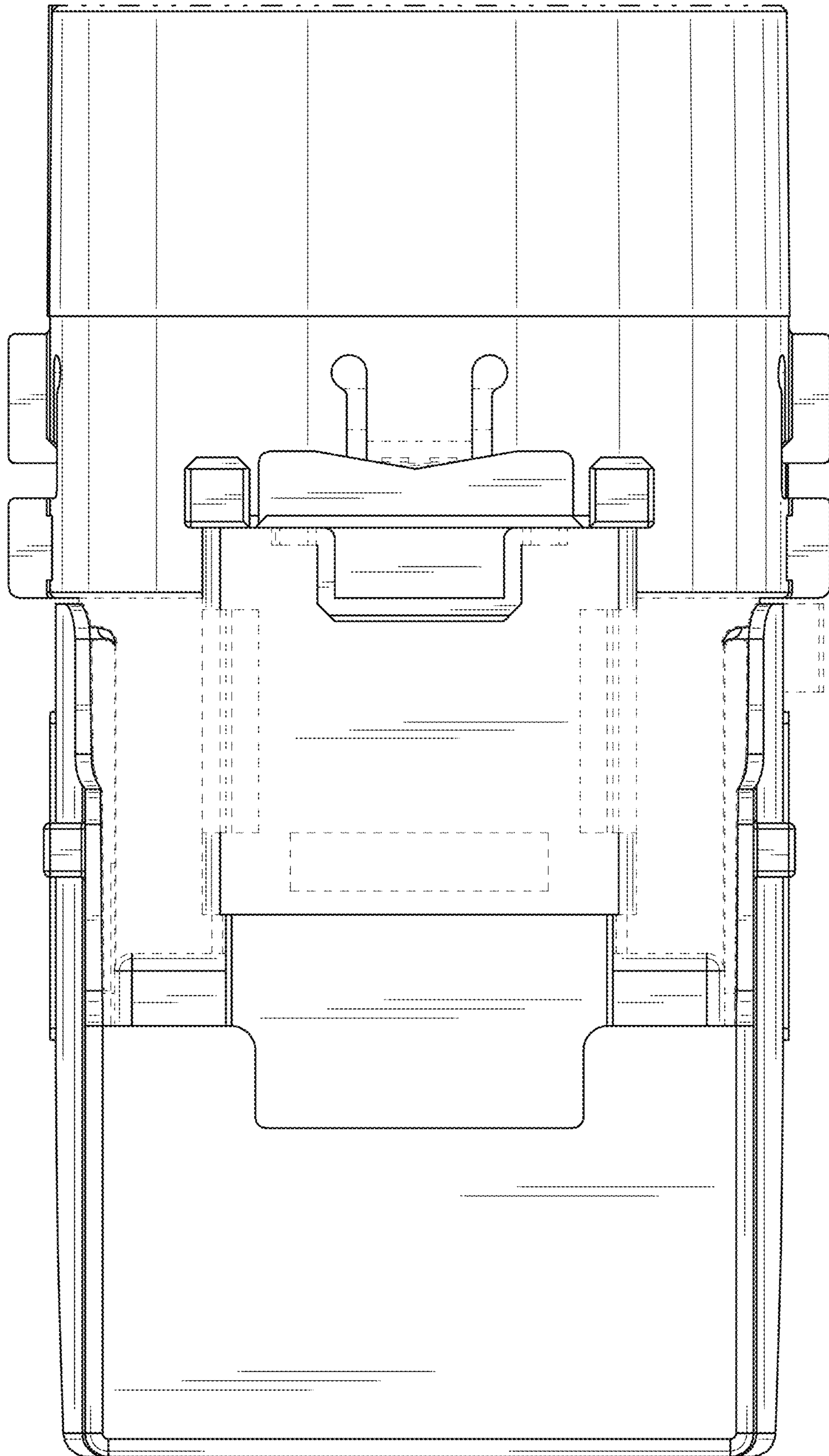


FIG. 13

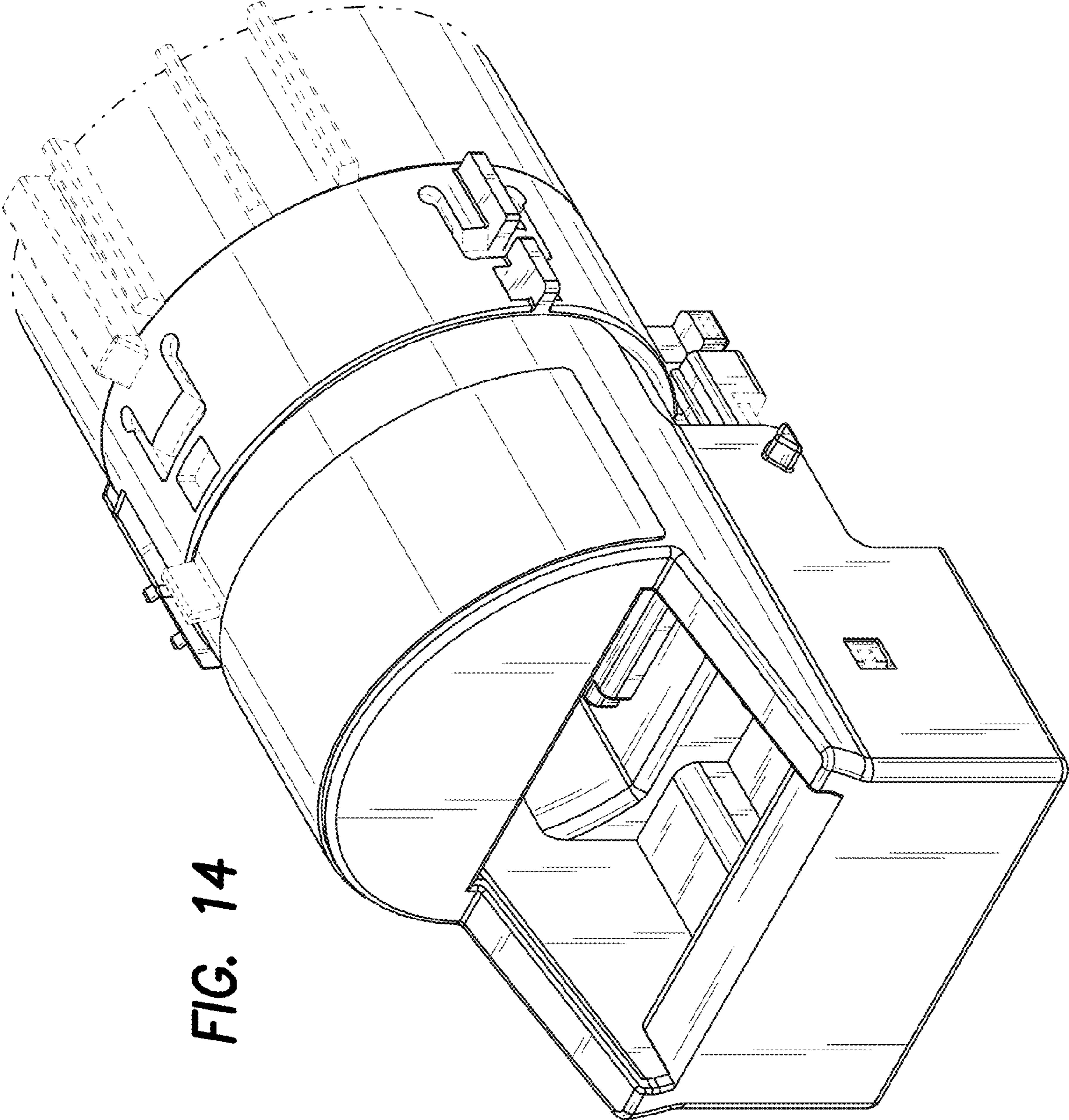


FIG. 14

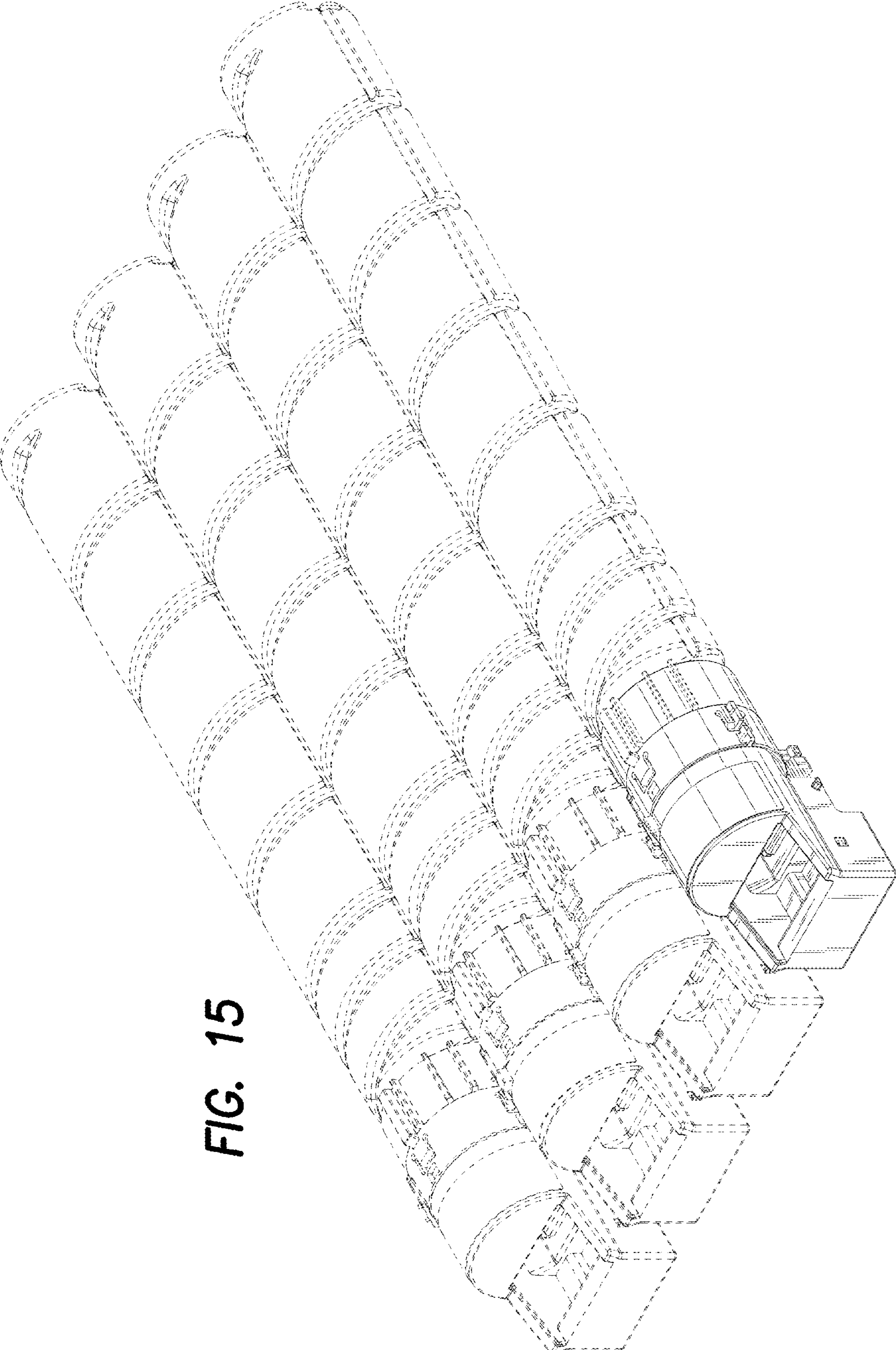


FIG. 15