



US00D908167S

(12) **United States Design Patent** (10) **Patent No.:** **US D908,167 S**
Puckett et al. (45) **Date of Patent:** **** Jan. 19, 2021**

(54) **ELECTRONIC KEYBOARD WITH INTEGRATED CASE**

(71) Applicant: **InMusic Brands, Inc.**, Cumberland, RI (US)

(72) Inventors: **Scott Puckett**, West Warwick, RI (US); **Andrew H. Wang**, Providence, RI (US); **Daniel Gill**, Providence, RI (US); **John Alex Souppa**, Ashland, MA (US); **Timothy Scott Desplaines**, Woonsocket, RI (US); **John O'Donnell**, Fort Lauderdale, FL (US)

(73) Assignee: **inMusic Brands, Inc.**, Cumberland, RI (US)

(**) Term: **15 Years**

(21) Appl. No.: **29/677,768**

(22) Filed: **Jan. 23, 2019**

(51) **LOC (13) Cl.** **17-01**

(52) **U.S. Cl.**
USPC **D17/1**

(58) **Field of Classification Search**
USPC D14/217, 257, 258, 434, 496, 162, 167, D14/175, 188, 196-198; D13/162, 164, D13/171, 174; D17/1, 2, 7

(Continued)

(56) **References Cited**

U.S. PATENT DOCUMENTS

2,788,698 A * 4/1957 Wickstrom G10C 3/12 84/408
2,791,147 A * 5/1957 Meadows G10H 1/344 84/470 R

(Continued)

OTHER PUBLICATIONS

U.S. Appl. No. 29/677,744; Electronic Device; Scott Puckett et al., filed Jan. 23, 2019.

Primary Examiner — Khawaja Anwar

(74) *Attorney, Agent, or Firm* — Burns & Levinson LLP

(57) **CLAIM**

The ornamental design for an electronic keyboard with integrated case, as shown and described.

DESCRIPTION

FIG. 1 is a top, front, left perspective view of an electronic keyboard with integrated case in an open configuration, having indefinite length, showing our new design;

FIG. 2 is a bottom, rear, right perspective view thereof;

FIG. 3 is a front elevation view thereof;

FIG. 4 is a rear elevation view thereof;

FIG. 5 is a left side elevation view thereof;

FIG. 6 is a right side elevation view thereof;

FIG. 7 is a top plan view thereof; and

FIG. 8 is a bottom plan view thereof;

FIG. 9 is a top, front, left perspective view of an electronic keyboard with integrated case in a closed configuration, having indefinite length, showing our new design;

FIG. 10 is a bottom, rear, right perspective view thereof;

FIG. 11 is a front elevation view thereof;

FIG. 12 is a rear elevation view thereof;

FIG. 13 is a left side elevation view thereof;

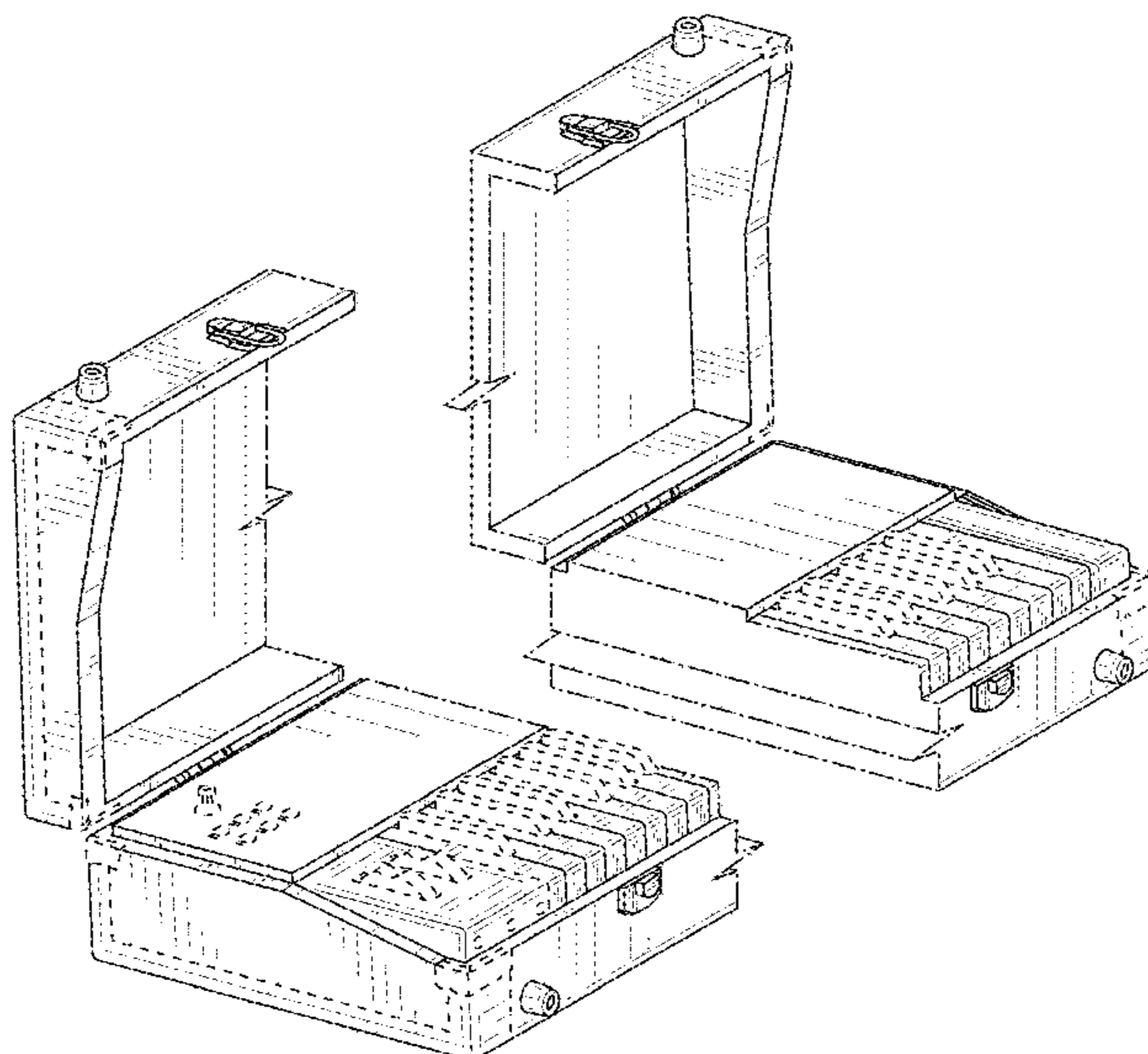
FIG. 14 is a right side elevation view thereof;

FIG. 15 is a top plan view thereof; and,

FIG. 16 is a bottom plan view thereof.

The broken lines of even length shown in the drawing illustrate portions of the electronic keyboard with integrated case that form no part of the claimed design. The claim is shown with a symbolic break in the length between the two claimed ends of the electronic keyboard with integrated case. The appearance of any portion of between the claimed ends of the electronic keyboard with integrated case forms no part of the claimed design.

1 Claim, 16 Drawing Sheets



(58) **Field of Classification Search**

CPC G10H 1/0066; G10H 1/0008; G10H
2220/106; G10H 1/32; G10H 2220/096;
G10H 2230/015; G10H 1/38; G10H
1/0091; G10H 2210/125; G10H 1/34;
G10H 1/348; G10H 1/02; G10H 1/46;
G10H 1/0025; G10H 2210/066; G10H
2220/201; G10H 2220/241; G10H
2240/211; G10H 7/008; G10H 7/02;
G10H 1/0058; G10H 2230/021; G10H
3/146; G10H 7/00; G10H 1/00; G10H
1/28; G10H 1/342; G10H 1/36; G10H
1/383; G10H 2210/081; G10H 2210/095;
G10H 3/188; G10H 1/0033; G10H
1/0083; G10H 1/0575; G10H 1/06; G10H
1/18; G10H 1/386; G10H 2220/101

See application file for complete search history.

(56) **References Cited**

U.S. PATENT DOCUMENTS

3,165,022 A * 1/1965 Yokoyama G10H 1/0535
84/405
3,173,329 A * 3/1965 Camillucci G10C 3/12
84/434
D358,808 S * 5/1995 Murdoch D14/328
D595,335 S * 6/2009 Kira D17/1

* cited by examiner

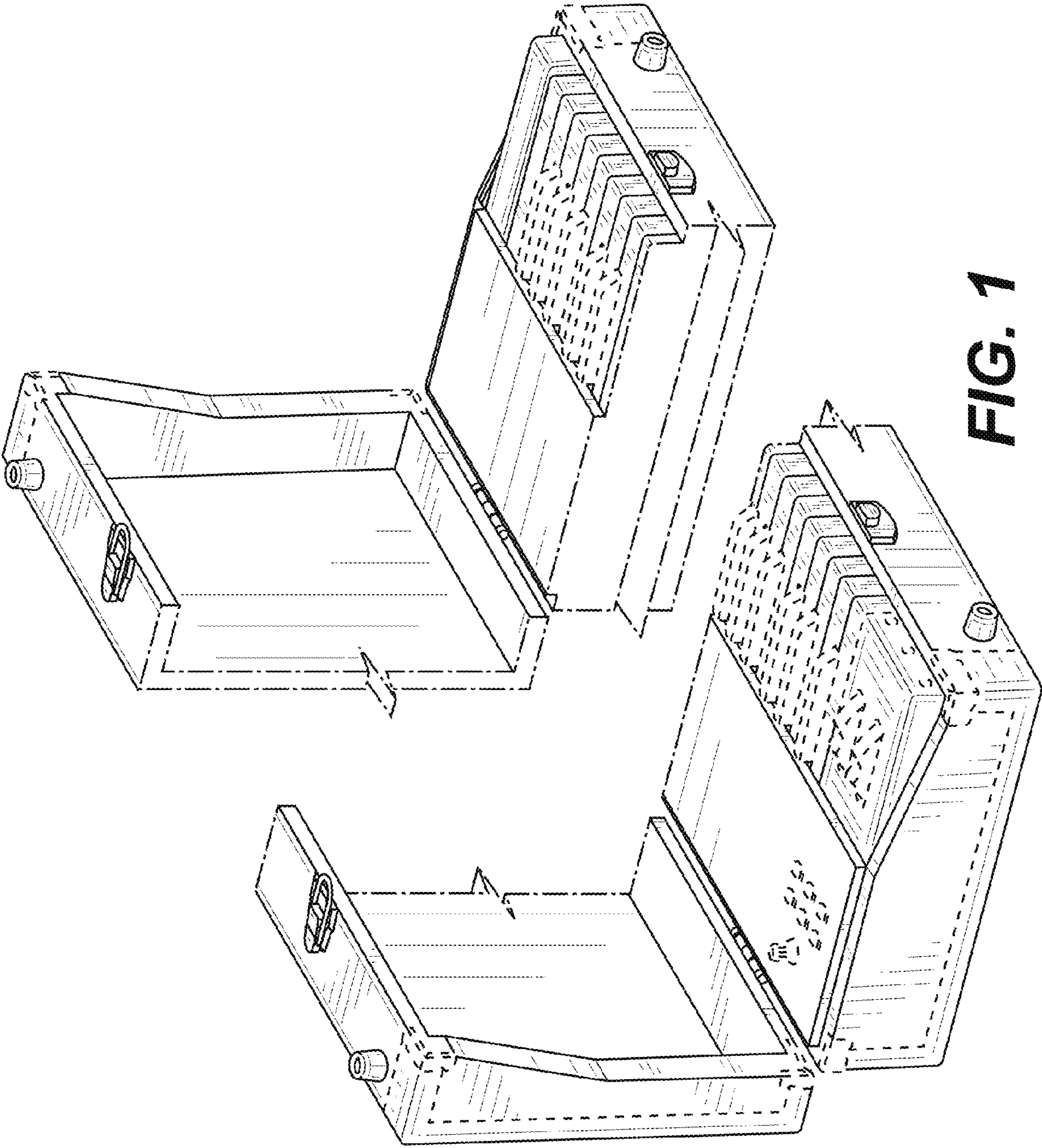


FIG. 1

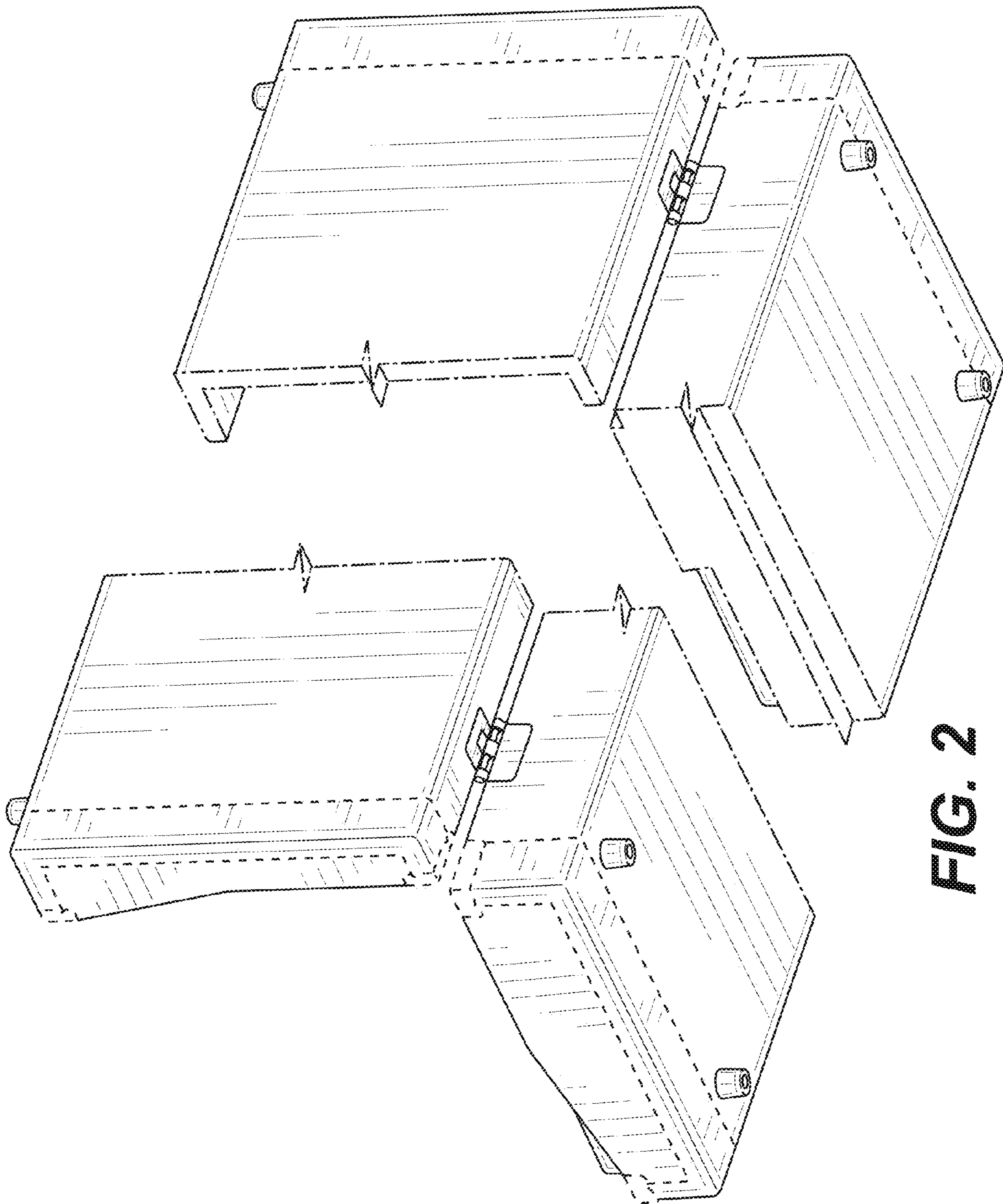


FIG. 2

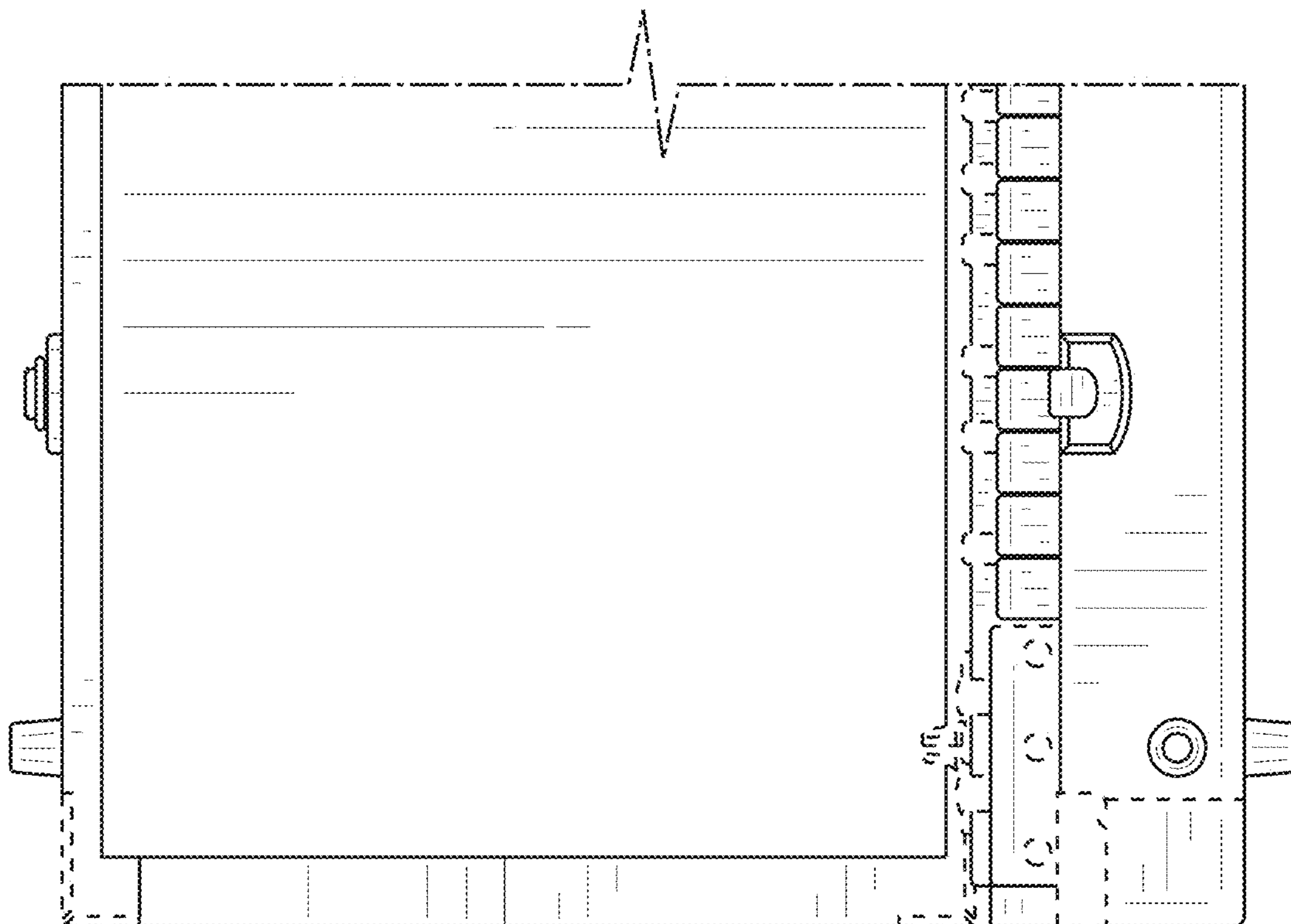
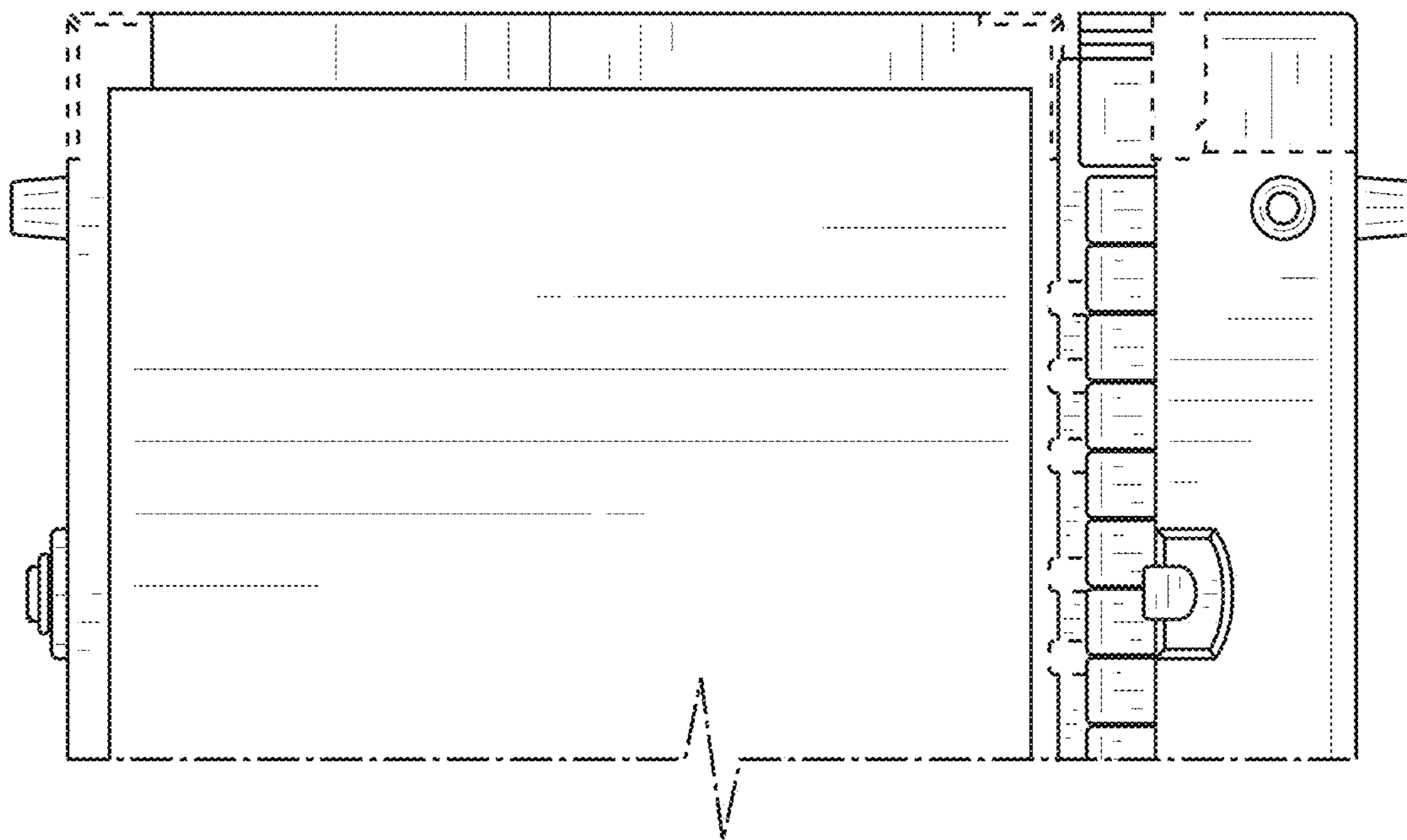


FIG. 3

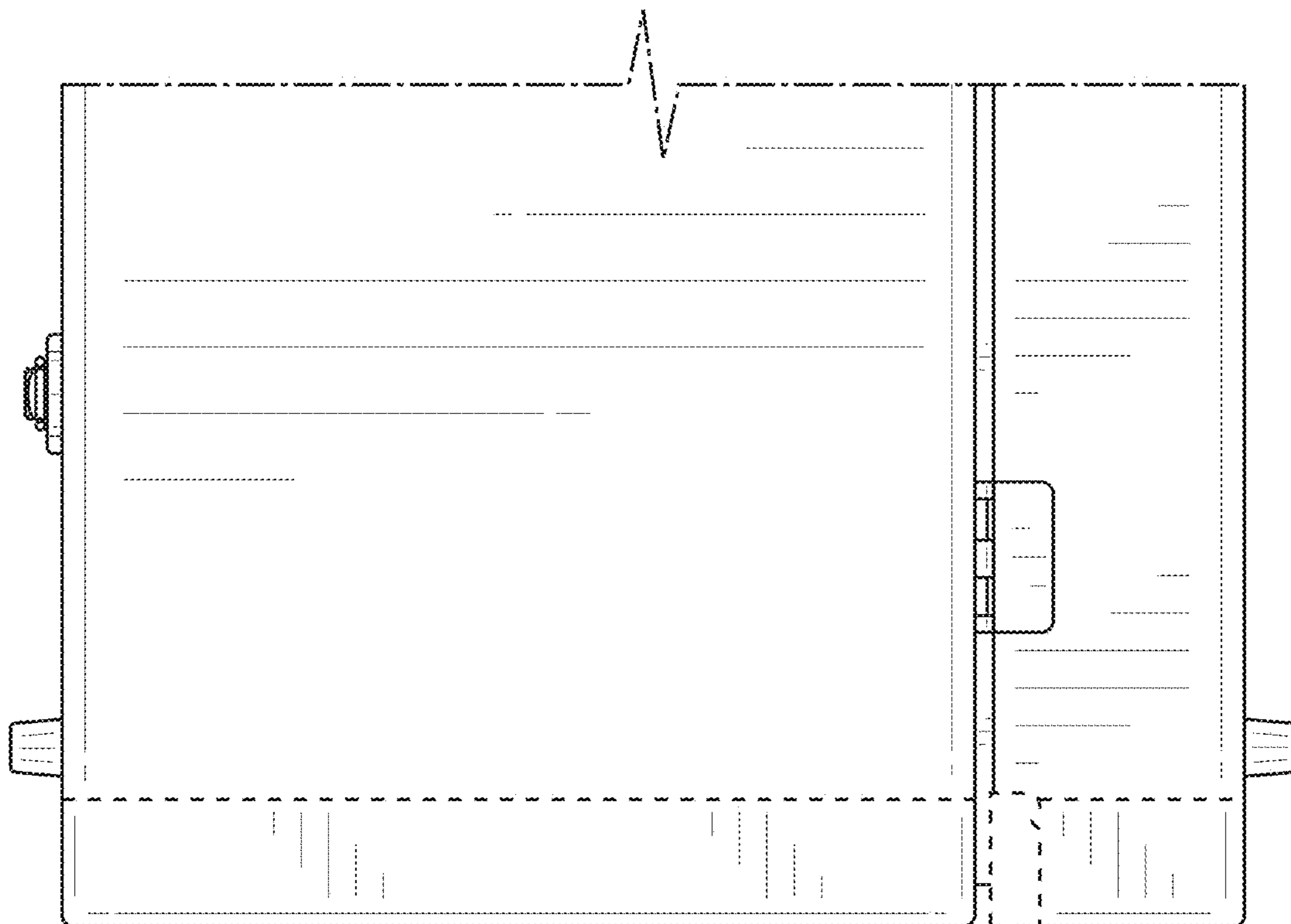
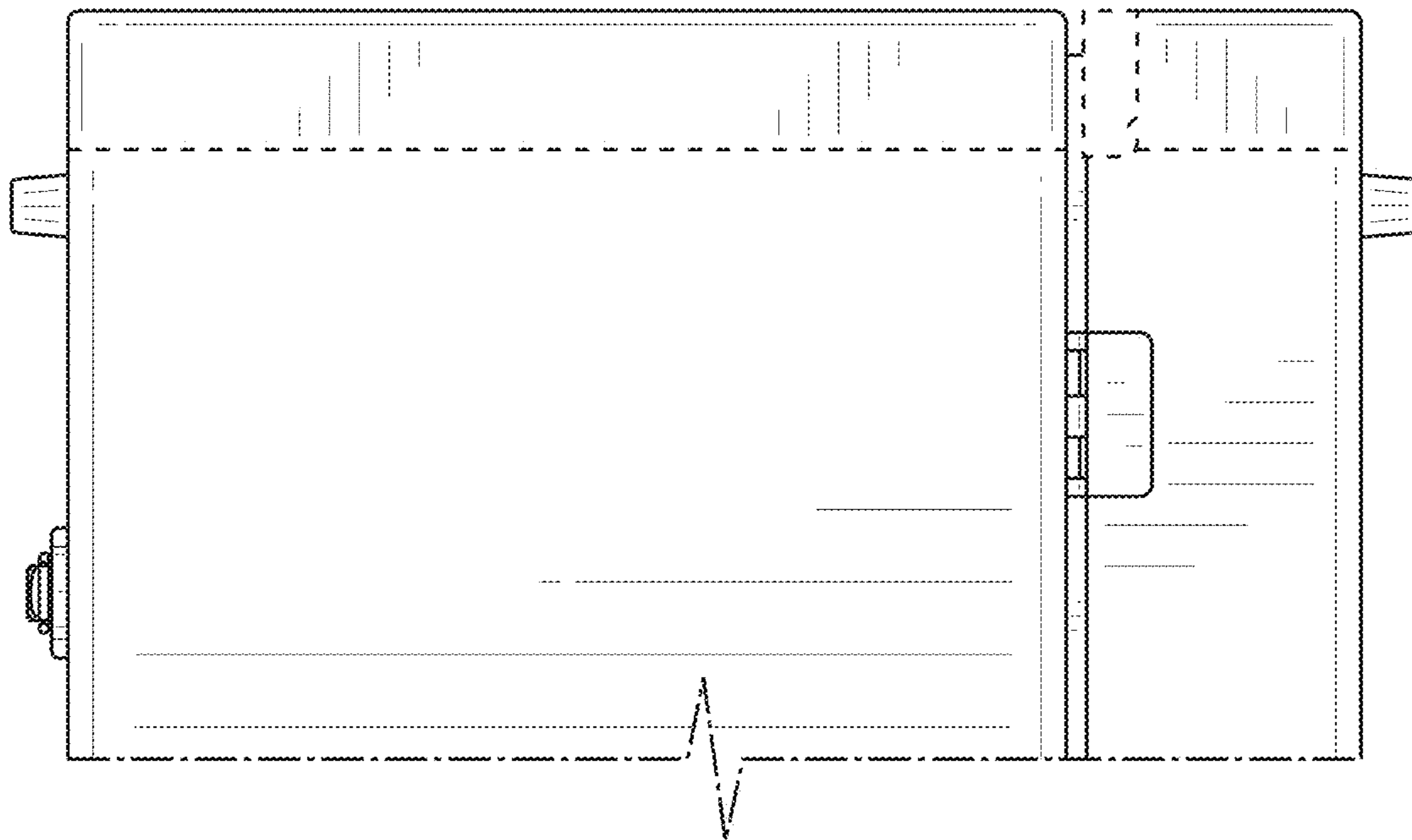


FIG. 4

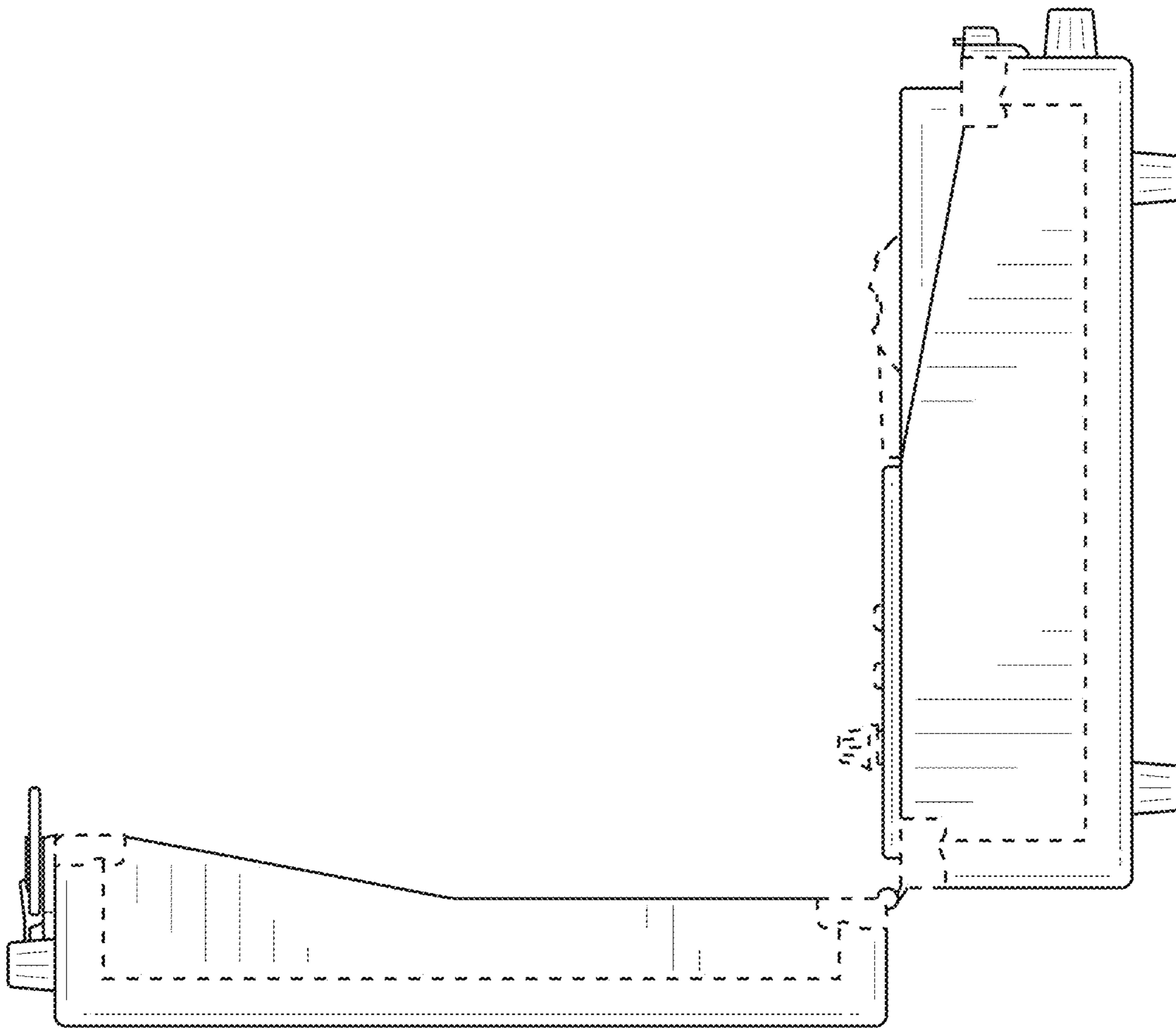


FIG. 5

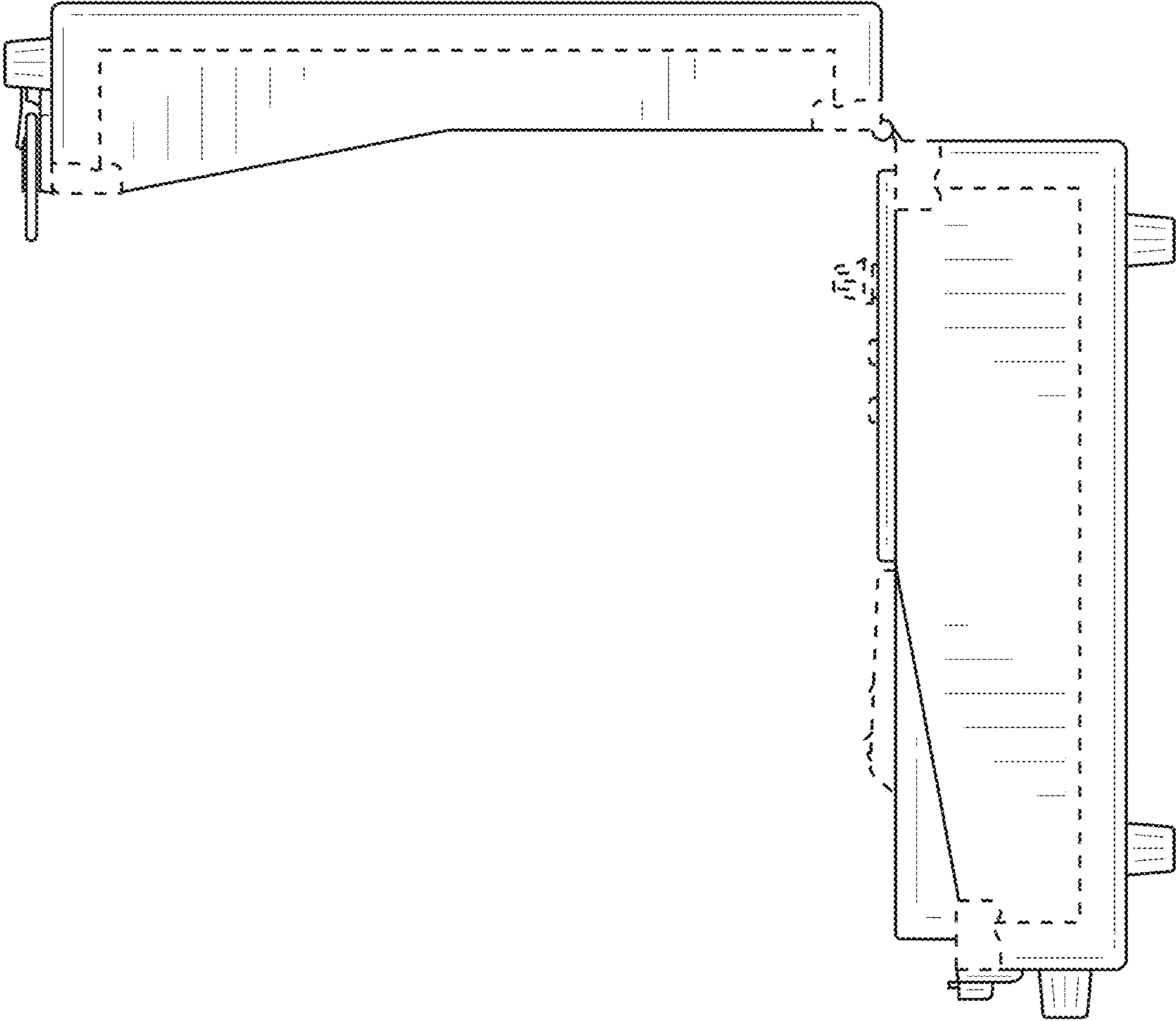


FIG. 6

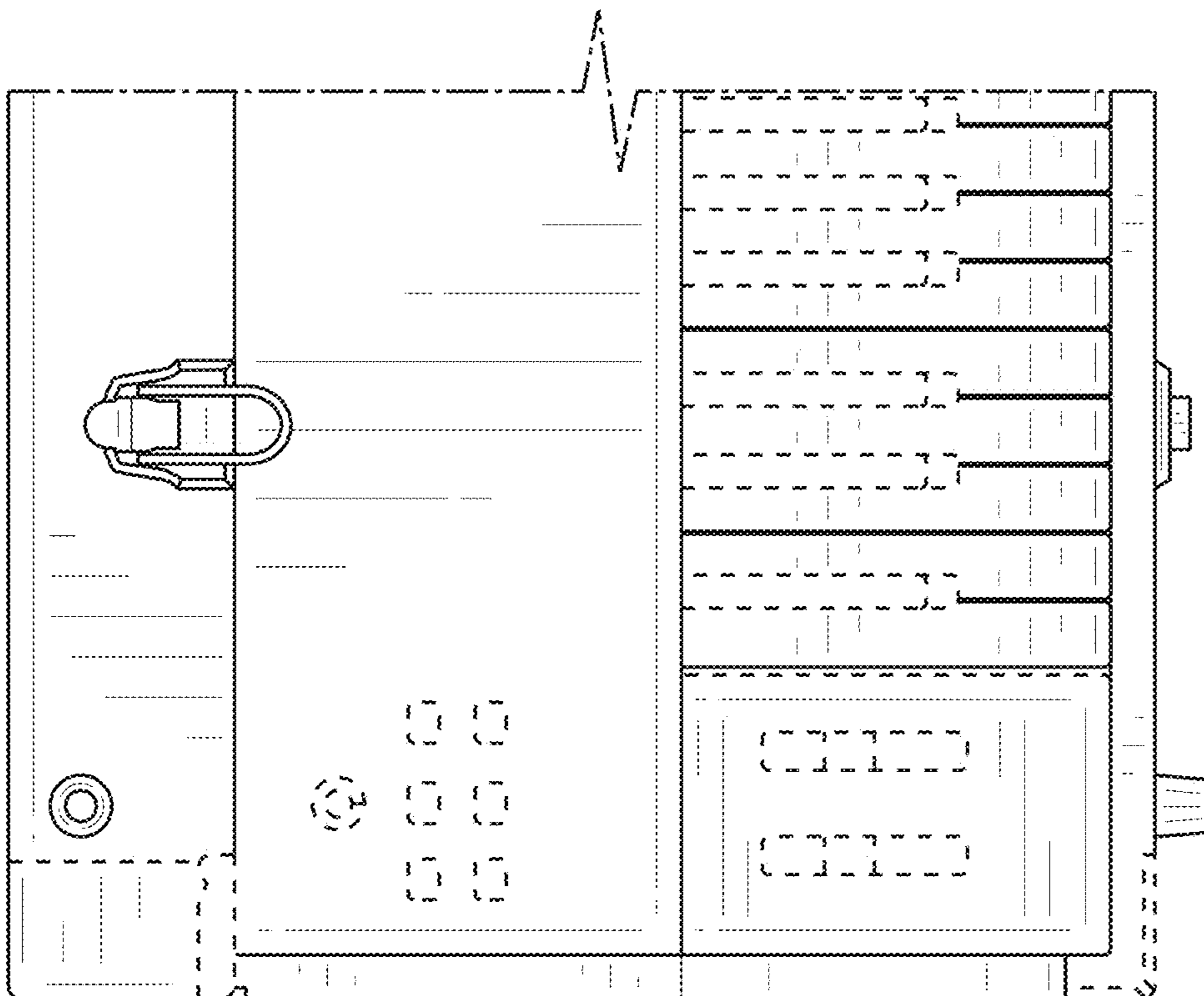
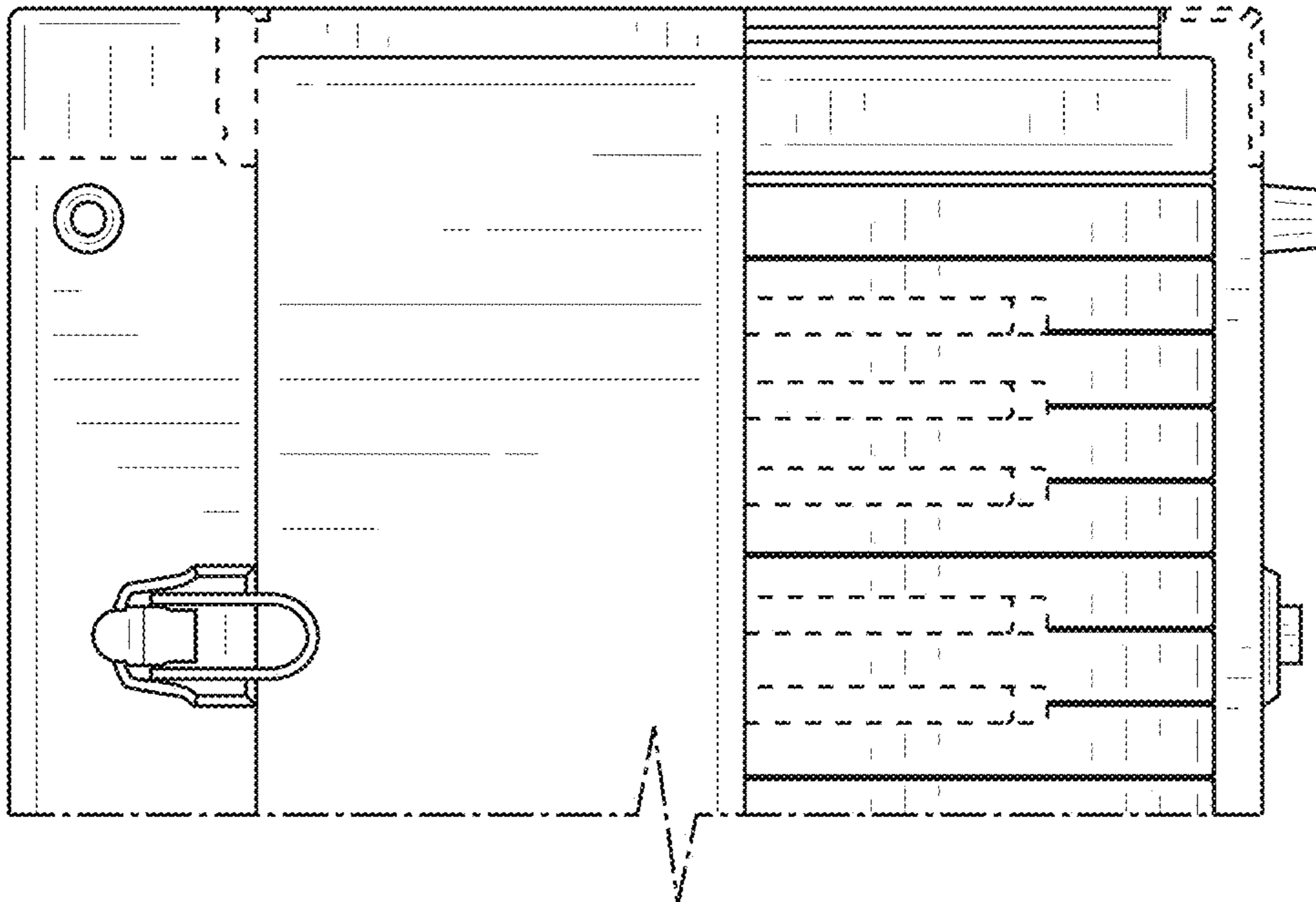


FIG. 7

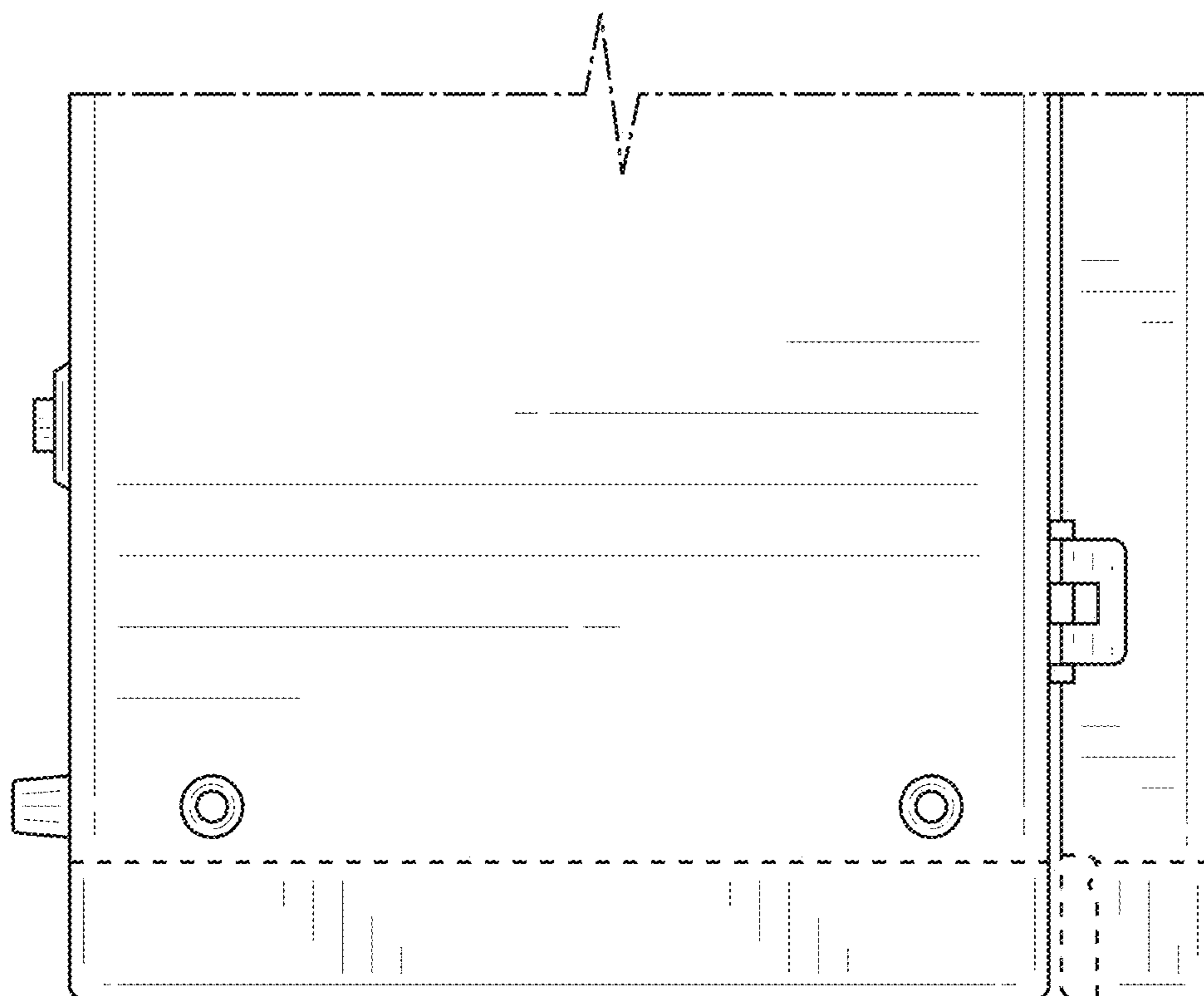
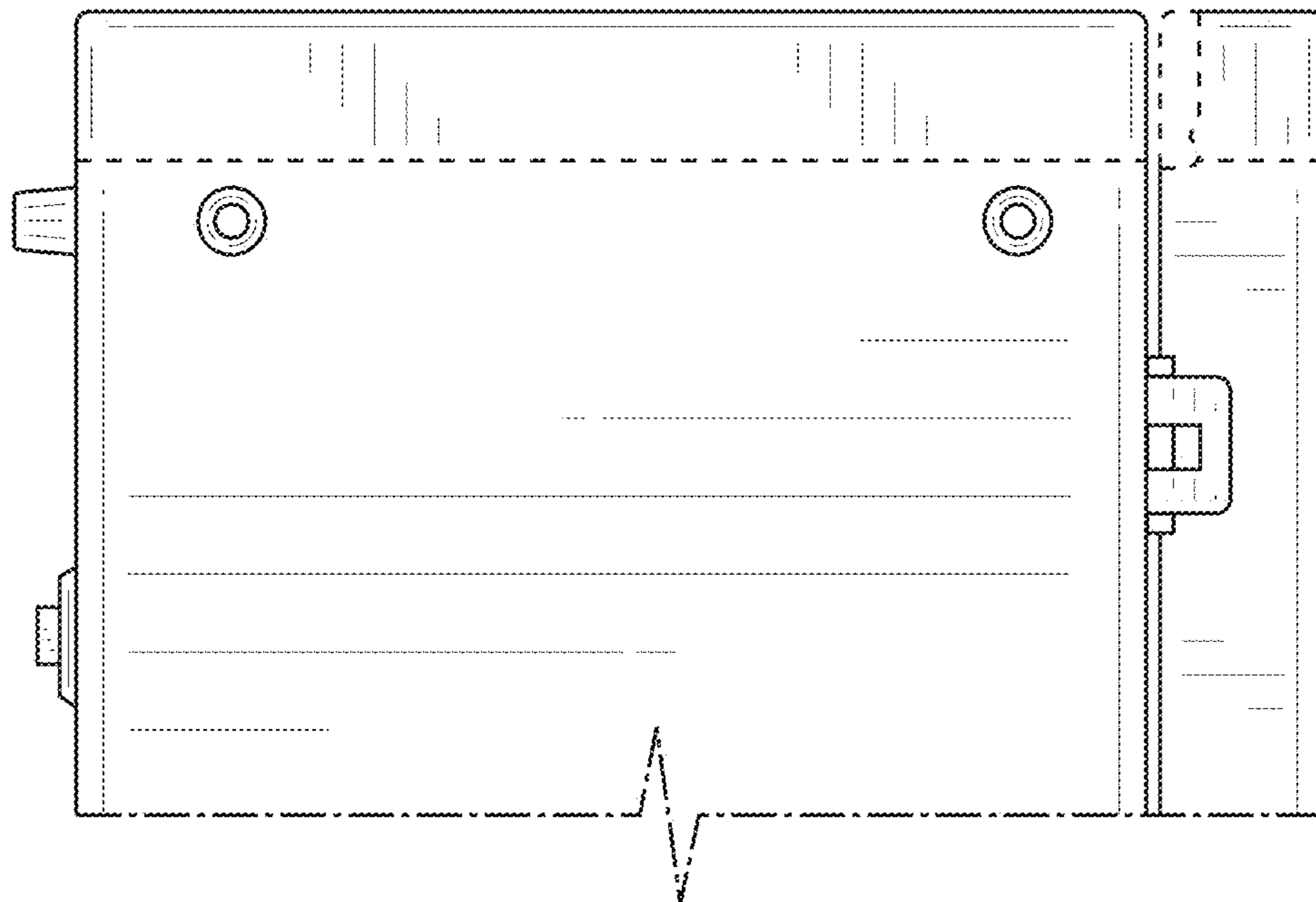


FIG. 8

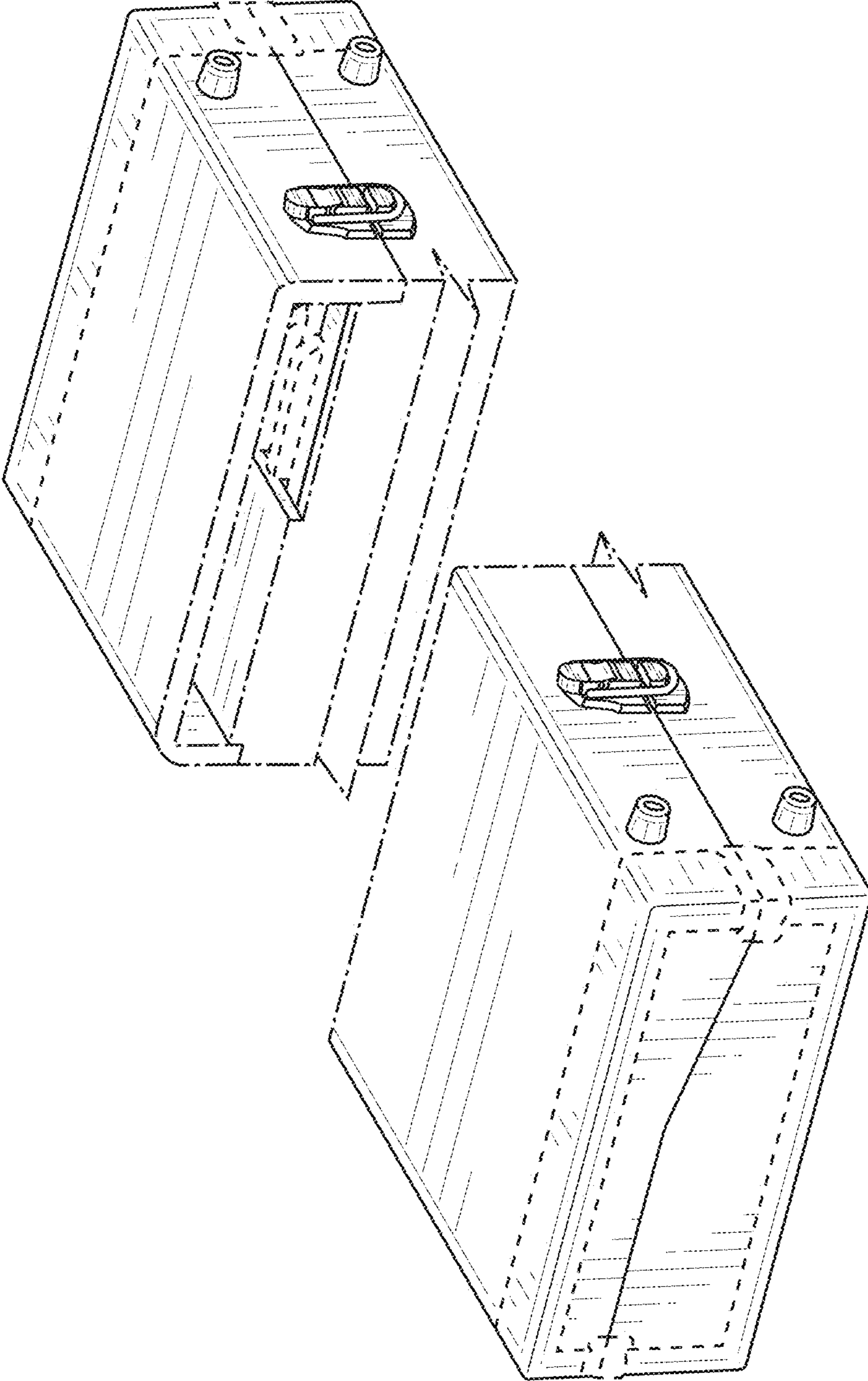


FIG. 9

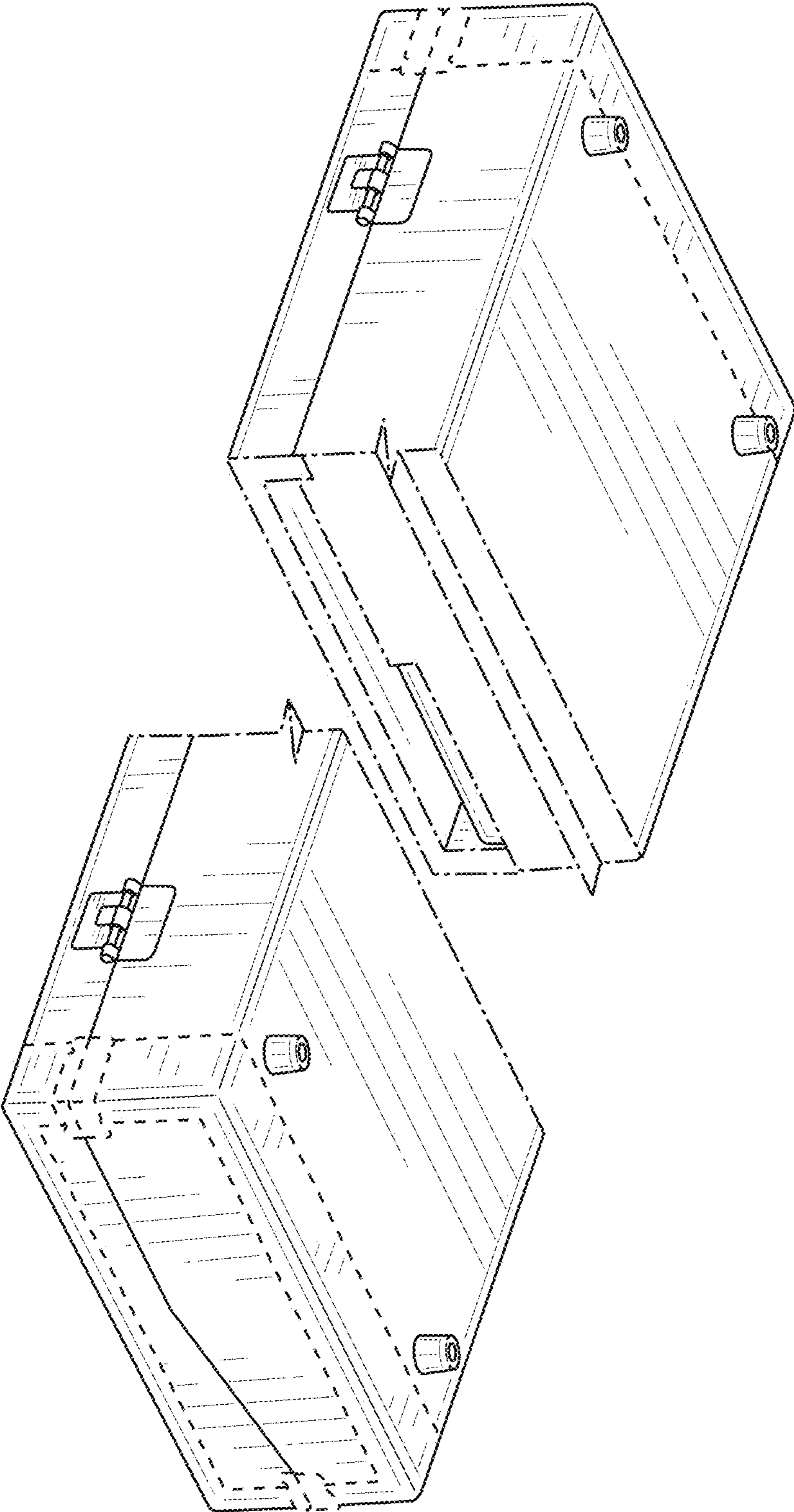


FIG. 10

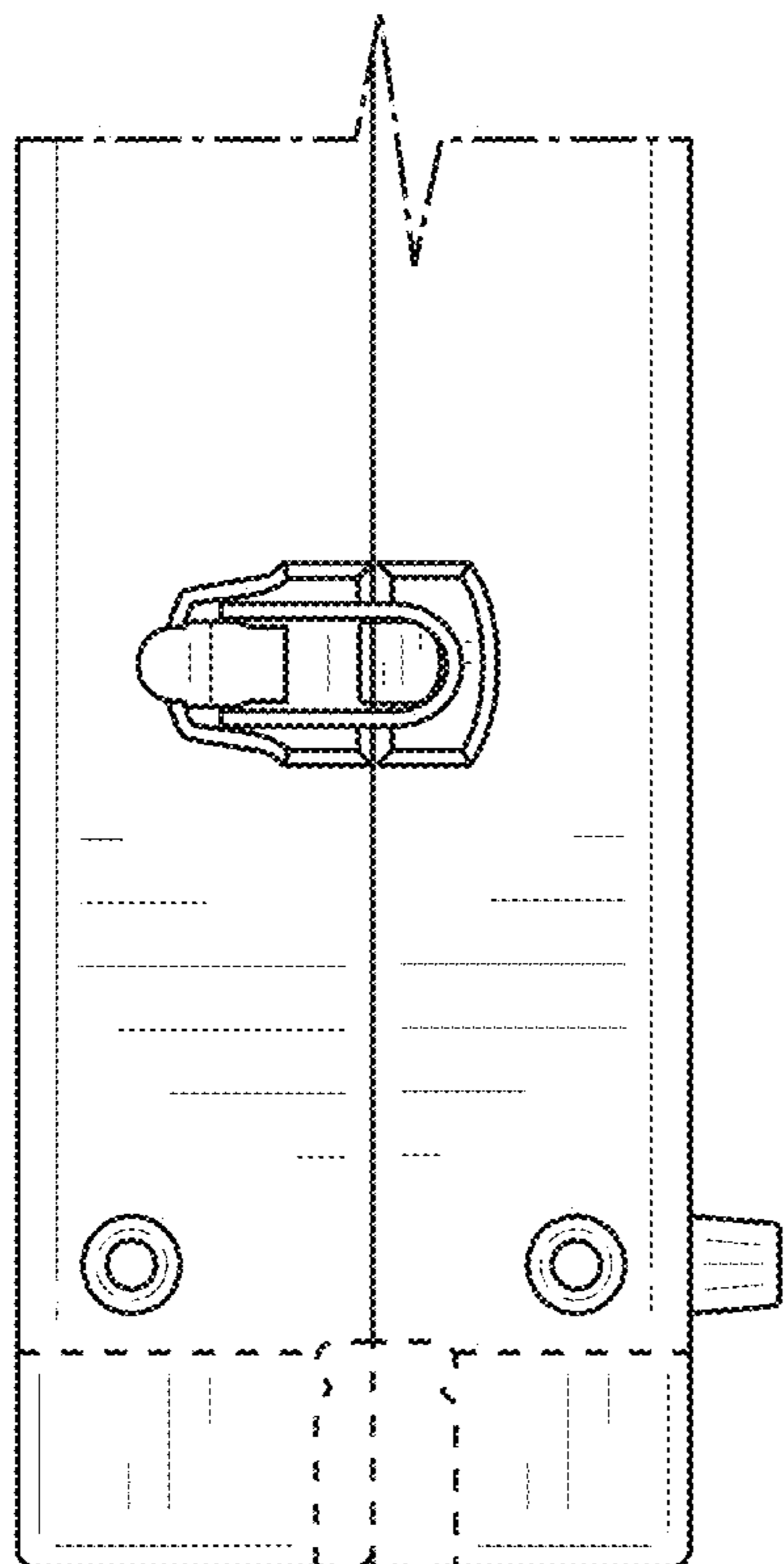
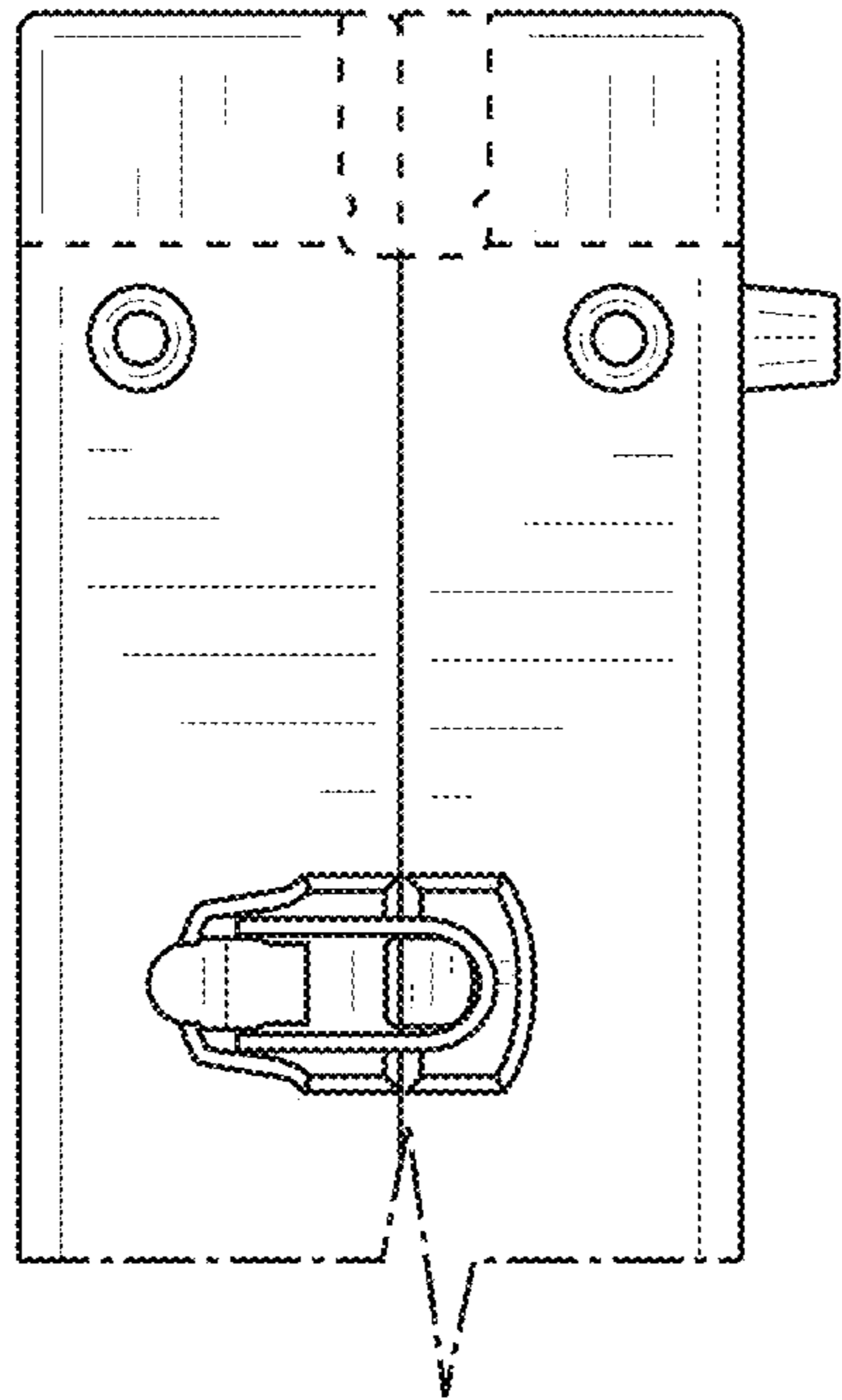


FIG. 11

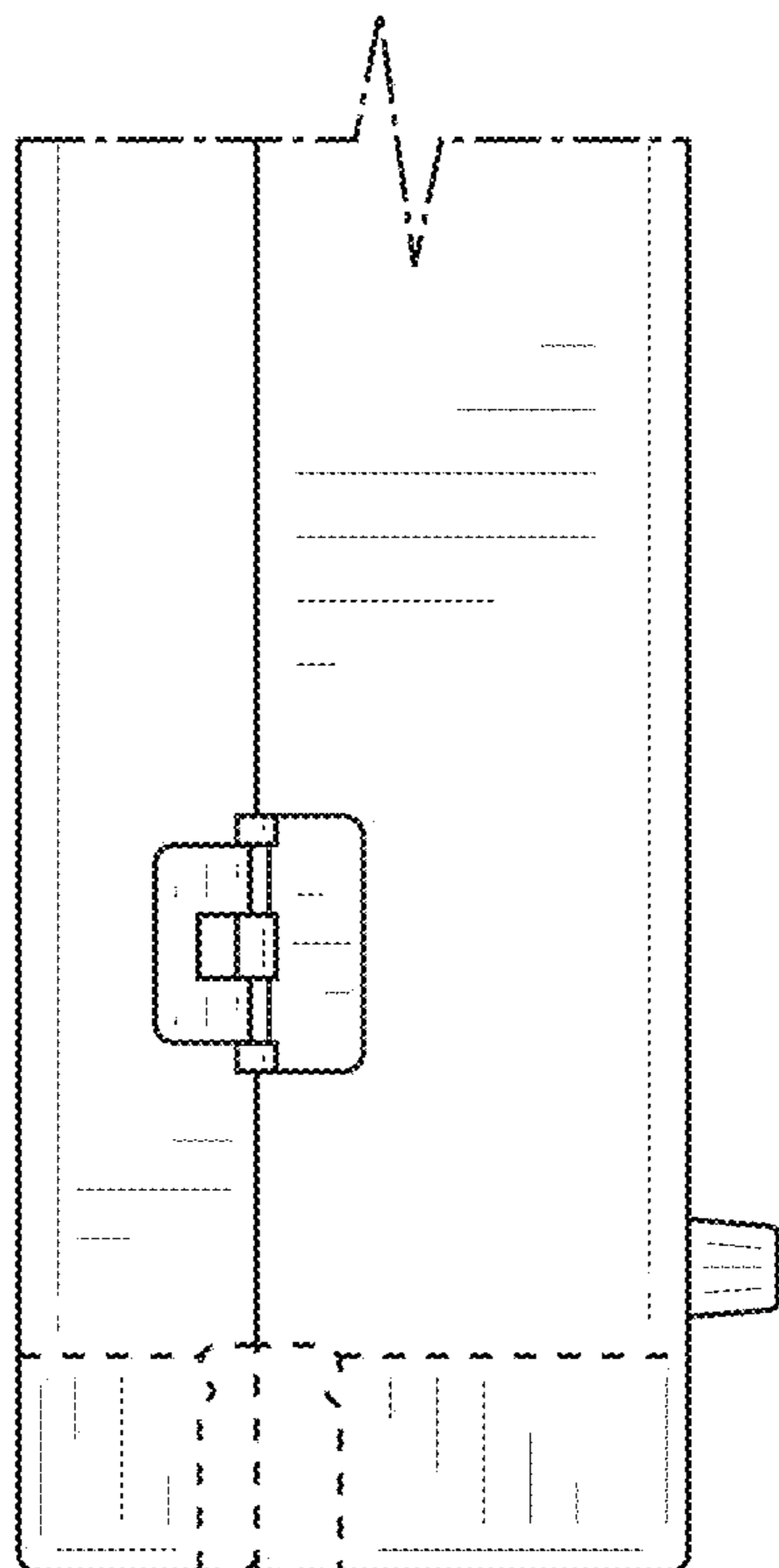
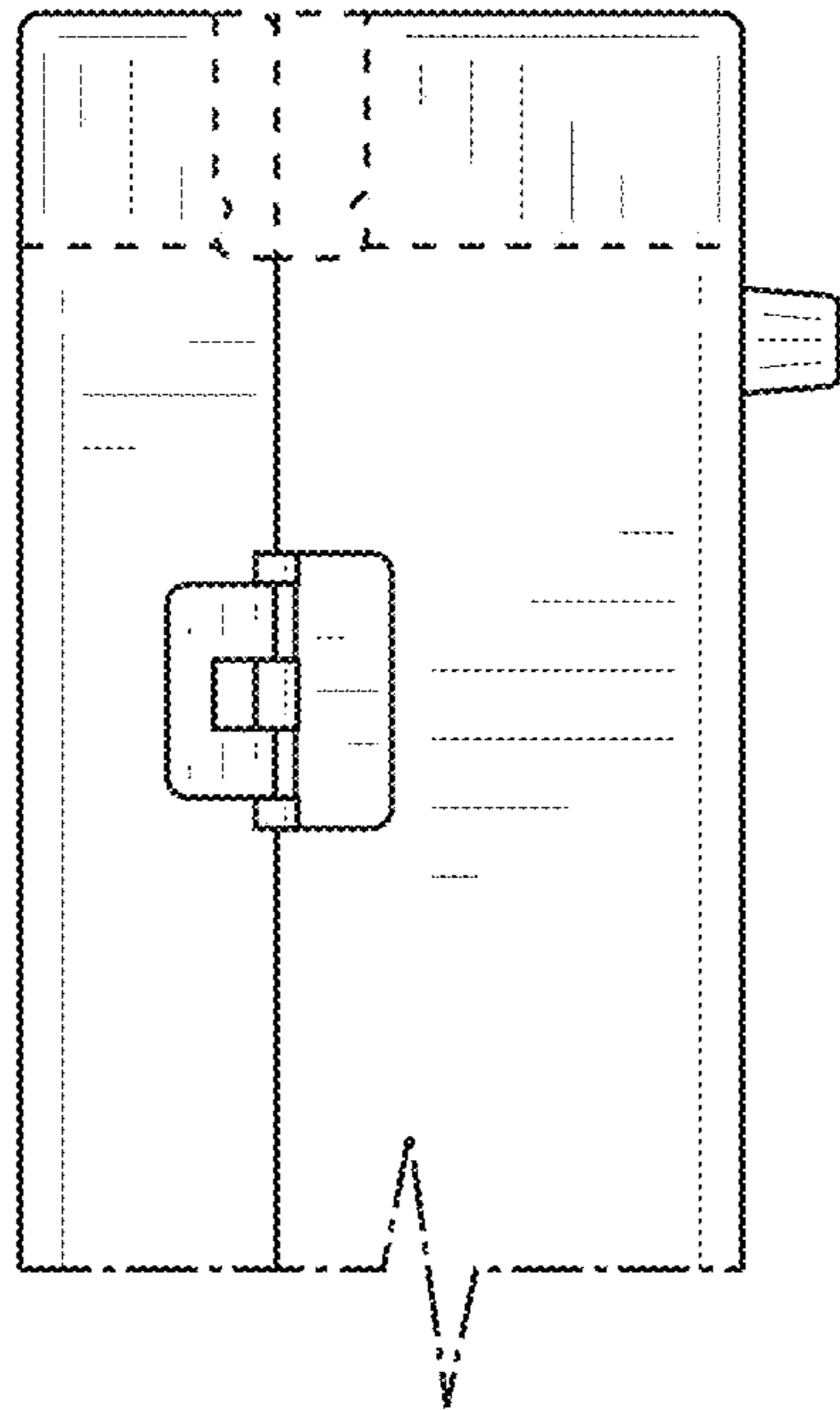


FIG. 12

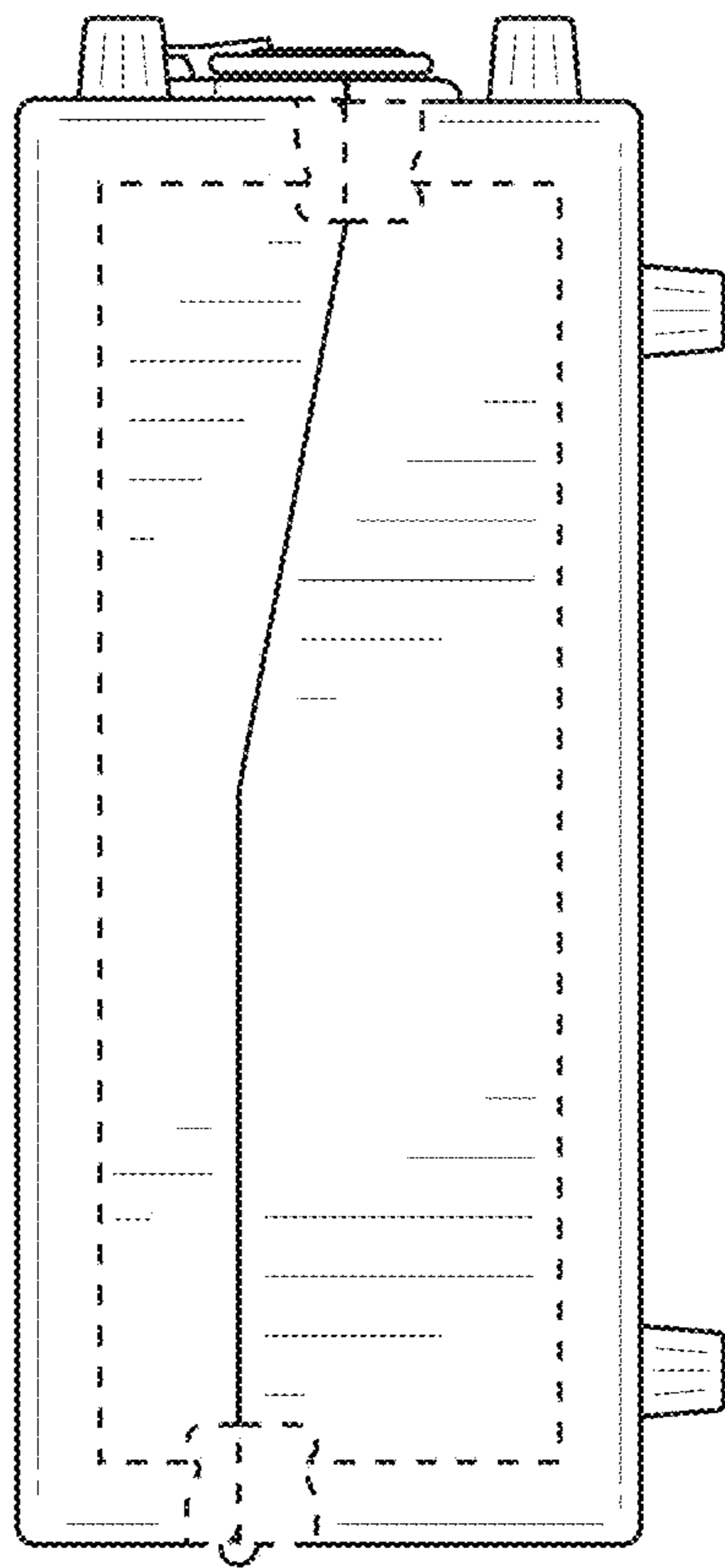


FIG. 13

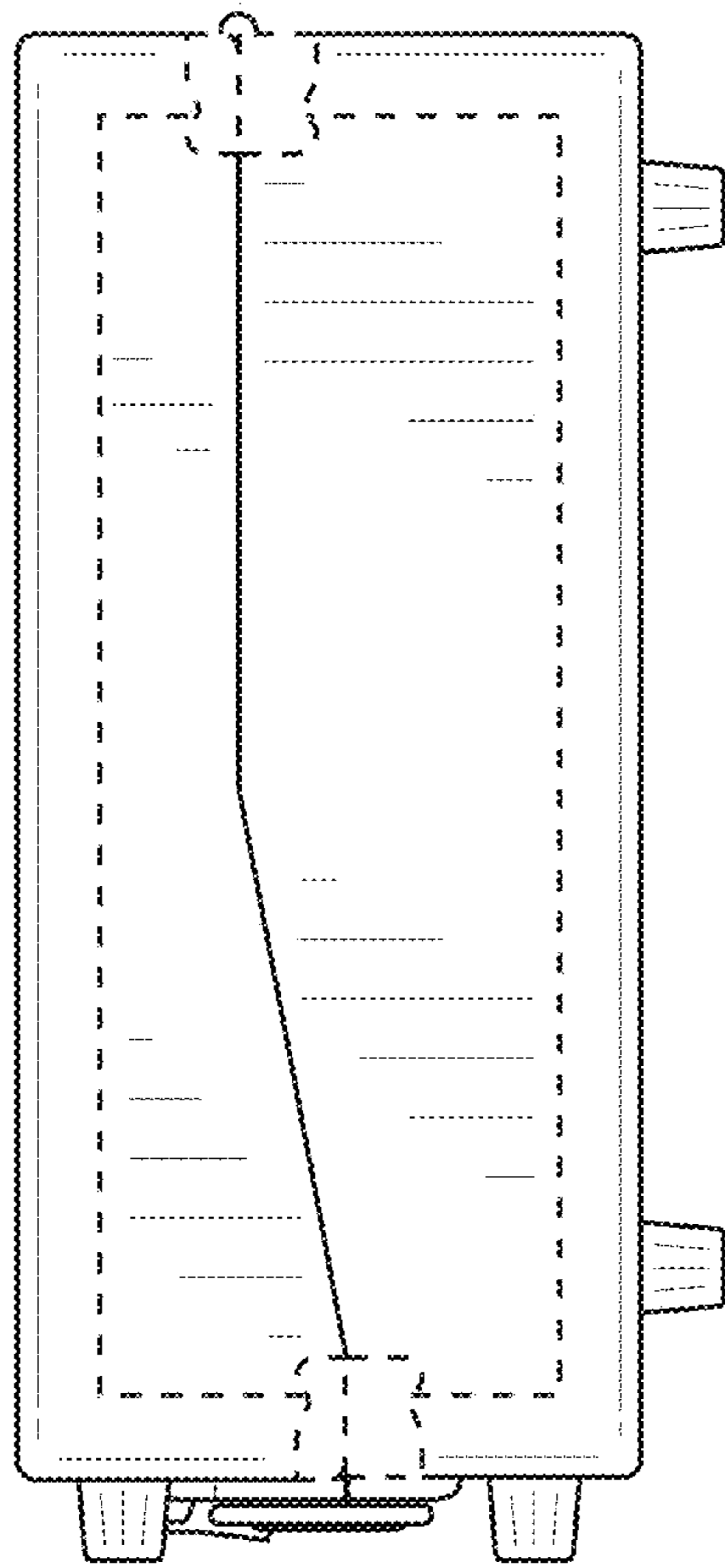


FIG. 14

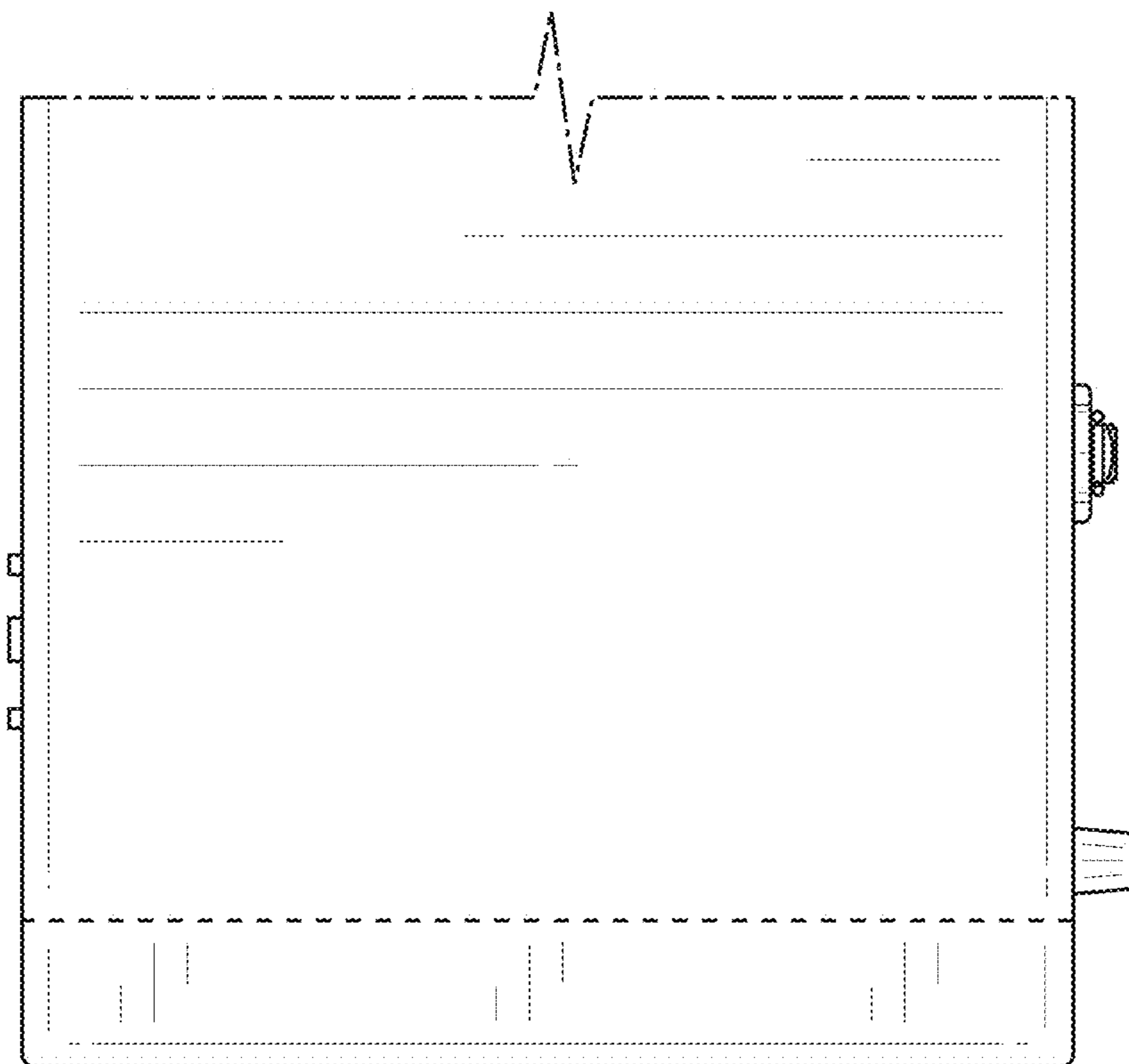
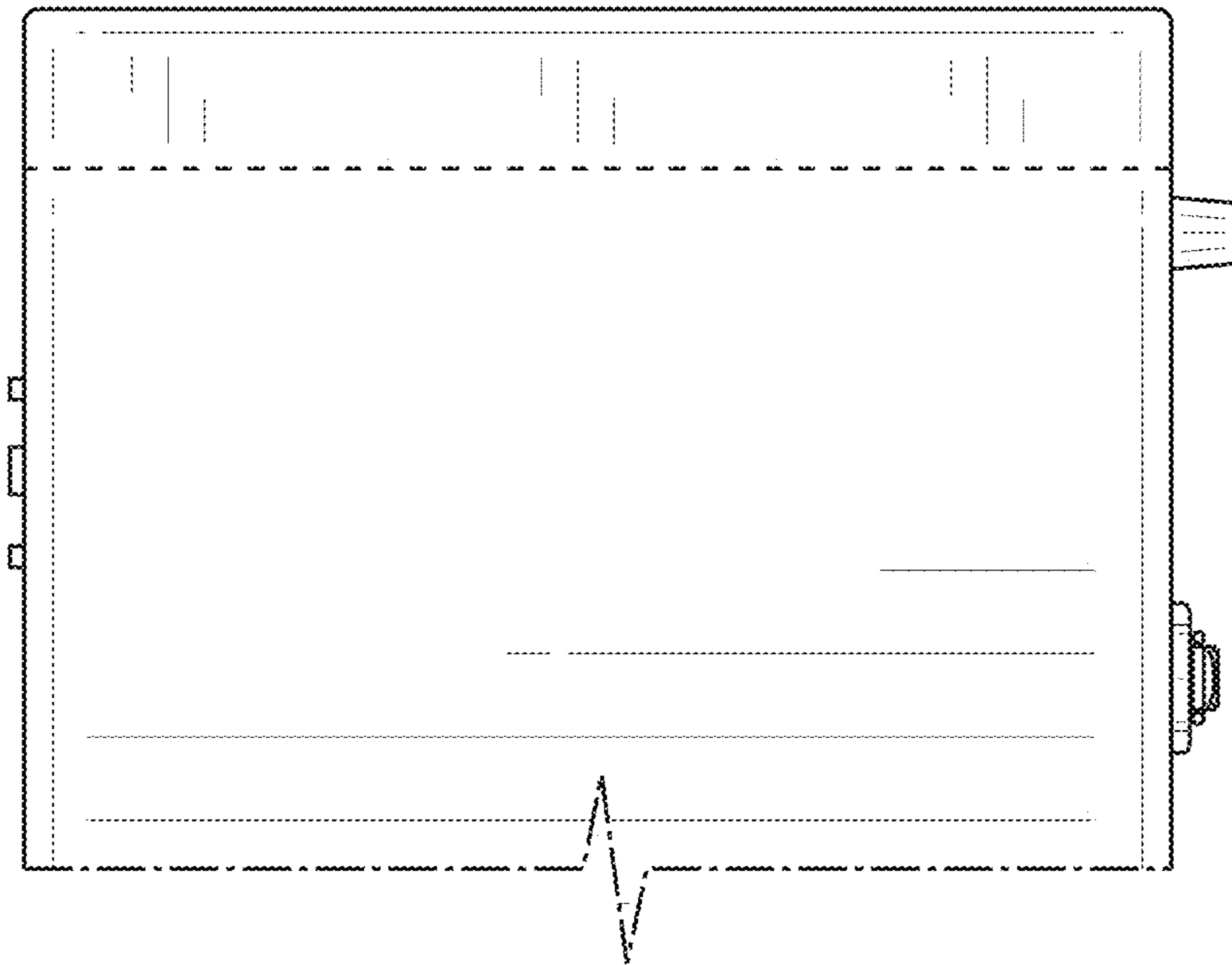


FIG. 15

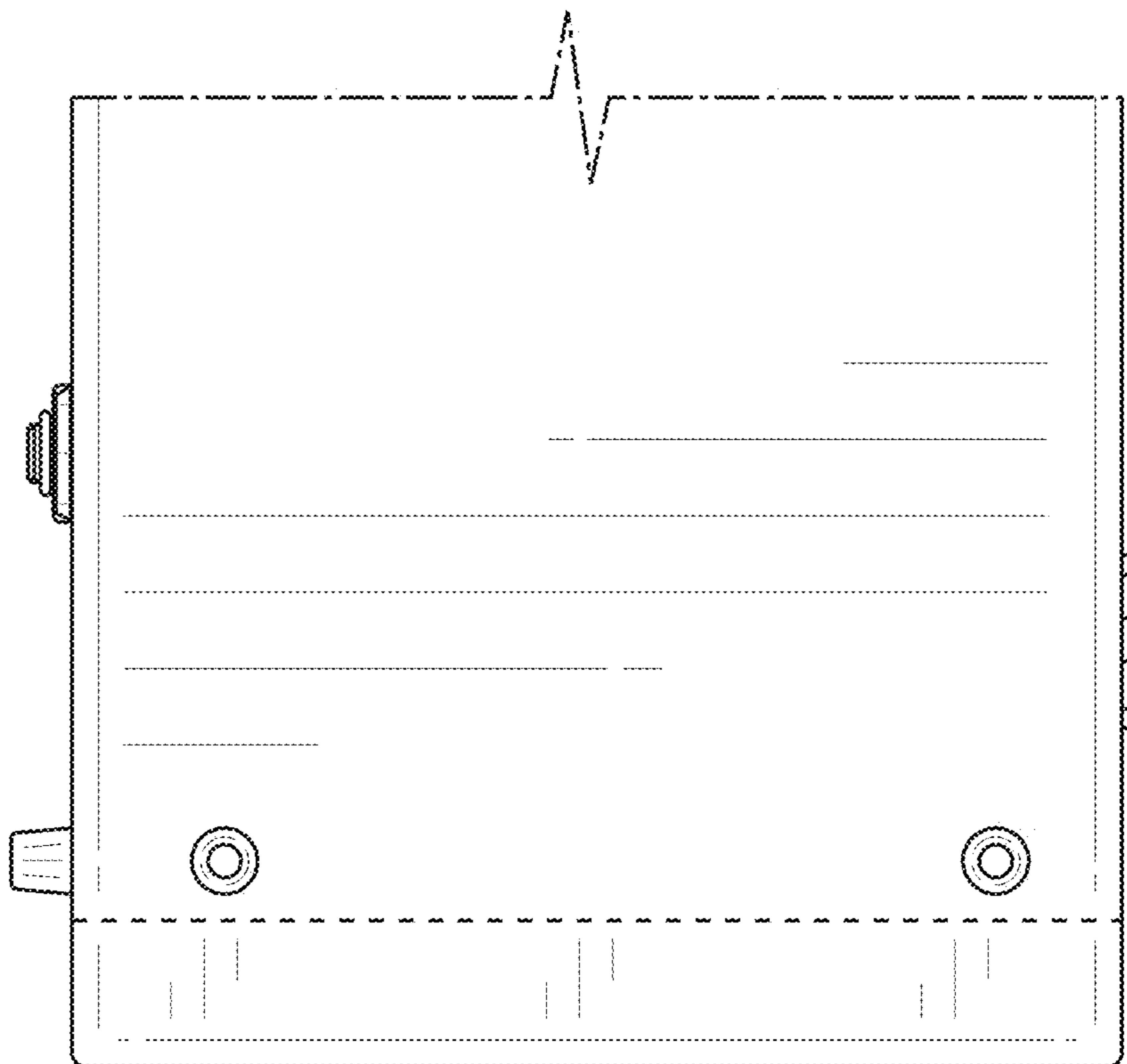
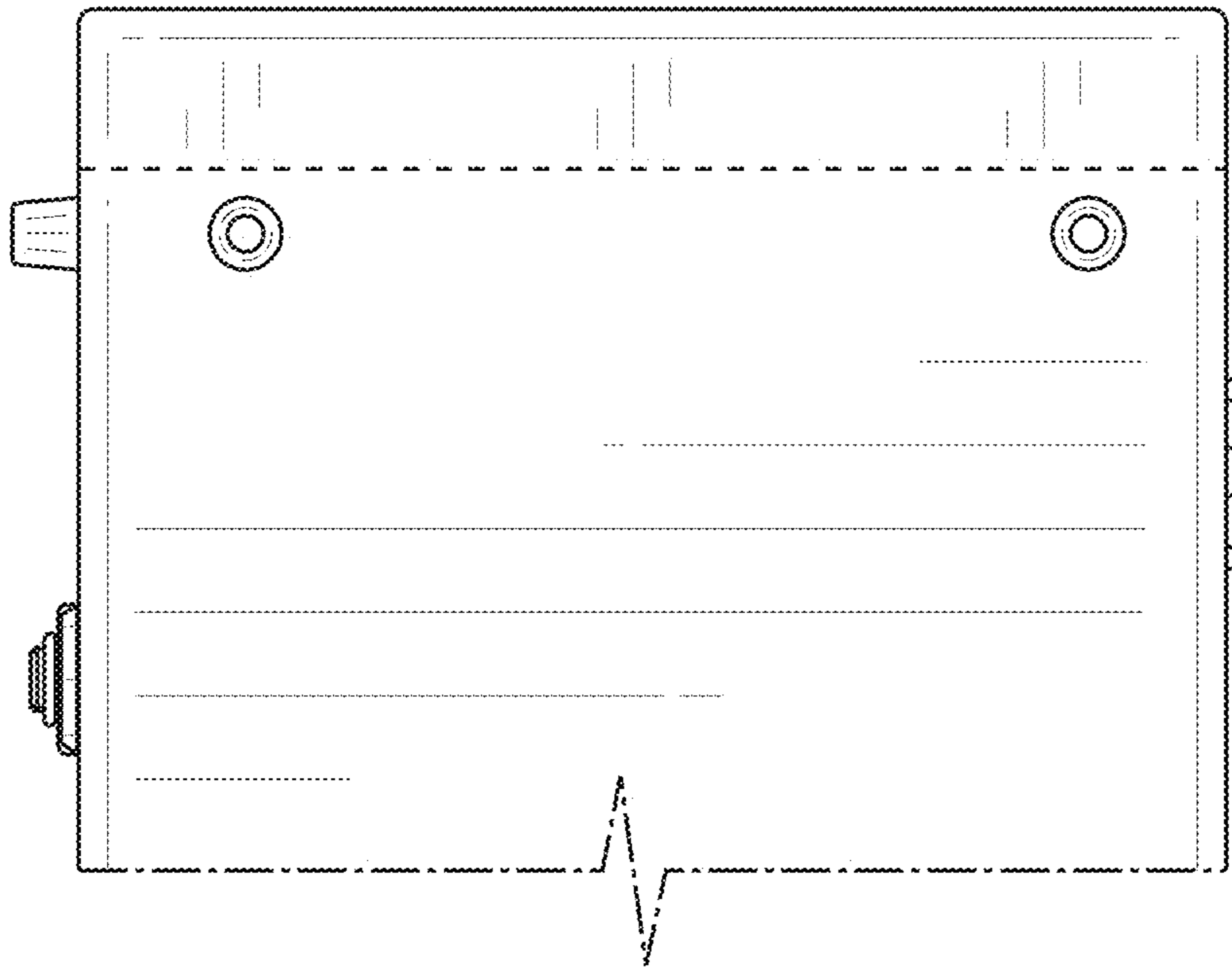


FIG. 16