

US00D908165S

(12) **United States Design Patent**  
**Holland**

(10) **Patent No.: US D908,165 S**  
(45) **Date of Patent: \*\* Jan. 19, 2021**

- (54) **THREE-HEADED CAMERA SYSTEM** 5,503,357 A \* 4/1996 Johnson ..... F16M 11/16  
248/169
- (71) Applicant: **David Craig Holland**, Portland, OR 7,450,835 B2 11/2008 Lackey et al.  
(US) 8,231,088 B2 \* 7/2012 Lu ..... F16M 11/34  
248/163.1
- (72) Inventor: **David Craig Holland**, Portland, OR 9,243,737 B2 1/2016 Hida  
(US) 9,706,187 B2 7/2017 Ghyme  
10,379,424 B2 \* 8/2019 Lozovsky ..... G03B 17/56  
2004/0257464 A1 12/2004 Pandit et al.  
2011/0073722 A1 \* 3/2011 Meuret ..... F16M 11/34  
248/169
- (\*\*) Term: **15 Years** 2017/0176841 A1 6/2017 Ghyme
- (21) Appl. No.: **29/675,397**

FOREIGN PATENT DOCUMENTS

- (22) Filed: **Dec. 31, 2018**
- (51) **LOC (13) Cl.** ..... **16-05**
- (52) **U.S. Cl.**  
USPC ..... **D16/244**; D16/237
- (58) **Field of Classification Search**  
USPC ..... D16/208-209, 219, 237-250; D8/354,  
D8/355, 363, 373, 382-383, 394-396;  
D14/224, 229, 238, 251, 253, 447, 451,  
D14/457  
CPC ..... F16M 11/06-10; F16M 11/14; G02B  
7/00-002; G03B 17/56; G03B  
17/561-568; H04N 5/2253-2254  
See application file for complete search history.

EP 2919067 B1 10/2017

\* cited by examiner

Primary Examiner — Vy N Koenig

(57) **CLAIM**

The ornamental design for a three-headed camera system, as shown and described.

**DESCRIPTION**

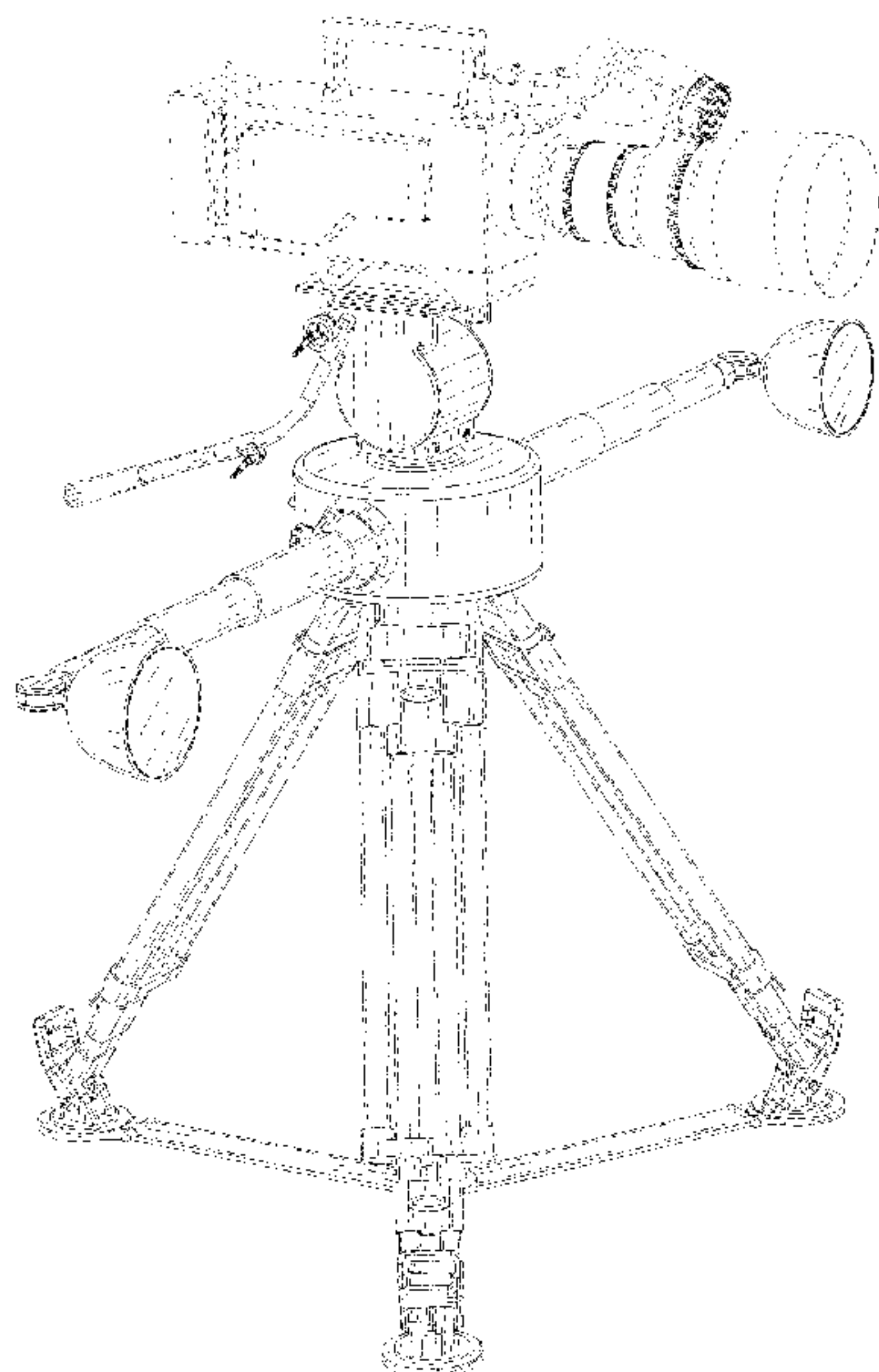
FIG. 1 is a top front perspective view of a three-headed camera system showing my new design;  
 FIG. 2 is a bottom front perspective view thereof;  
 FIG. 3 is a top rear perspective view thereof;  
 FIG. 4 is a bottom rear perspective view thereof;  
 FIG. 5 is a front elevated view thereof;  
 FIG. 6 is a rear elevated view thereof;  
 FIG. 7 is a top plan view thereof;  
 FIG. 8 is a bottom plan view thereof;  
 FIG. 9 is a right elevated view thereof; and,  
 FIG. 10 is a left elevated view thereof.  
 The broken lines showing of fasteners and connectors in FIG. 1-10, and the broken lines showing of a camera in FIG. 1-10 are included for the purpose of showing environmental structure and form no part of the claimed design.

(56) **References Cited**

U.S. PATENT DOCUMENTS

- 2,418,067 A \* 3/1947 Carpenter, Sr. .... F16M 11/28  
206/578
- 3,165,025 A \* 1/1965 Hart ..... G03B 27/542  
355/64
- 3,970,835 A 7/1976 Crete
- 4,324,477 A \* 4/1982 Miyazaki ..... F16M 11/08  
248/163.1
- D282,320 S \* 1/1986 Anderson ..... D16/244
- 4,579,436 A \* 4/1986 Jaumann ..... F16M 11/16  
248/163.1
- D290,963 S \* 7/1987 Groschupp ..... D16/244
- D362,143 S \* 9/1995 Gabriel-Lacki ..... D16/244

**1 Claim, 10 Drawing Sheets**



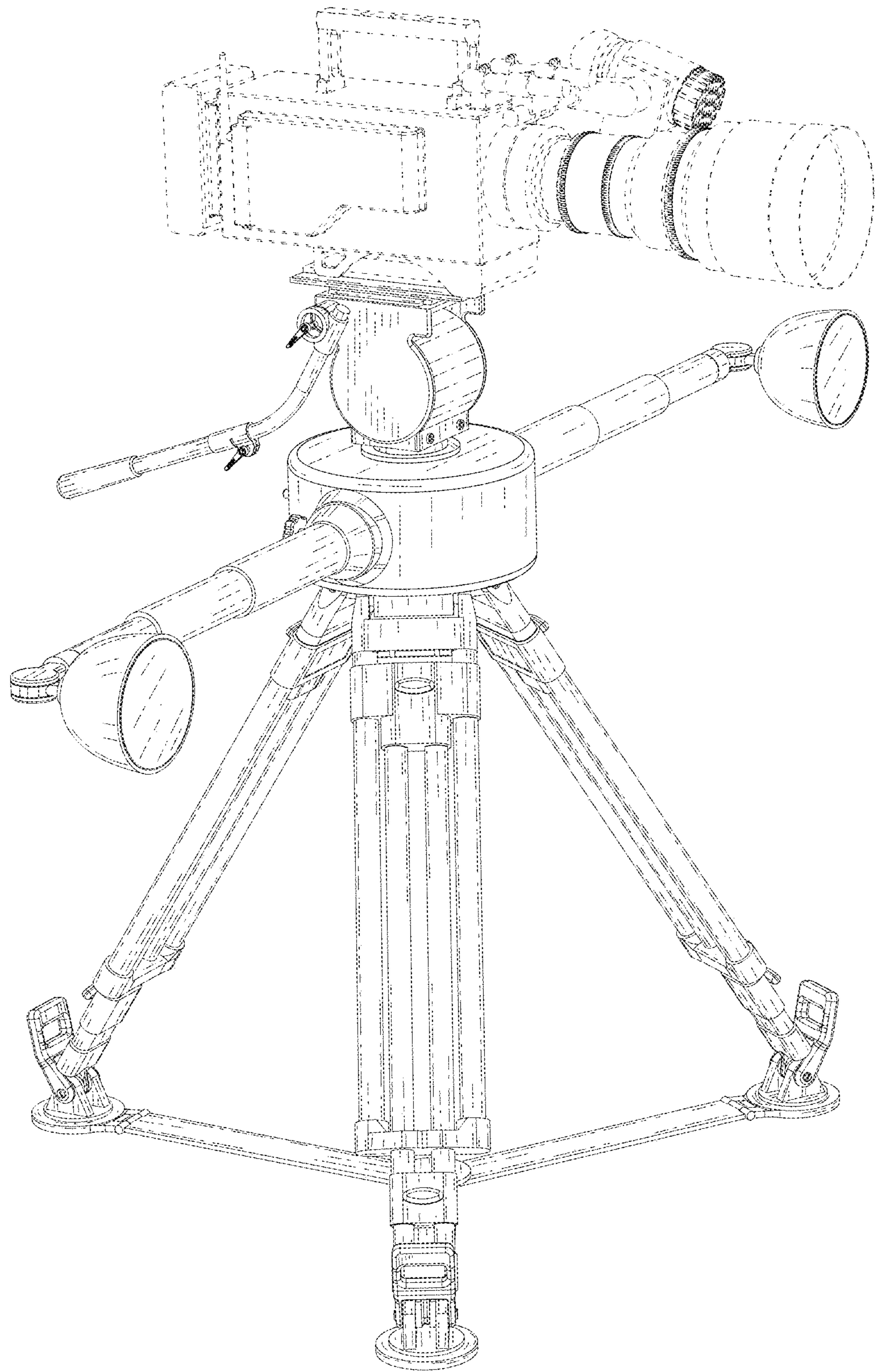


FIG.1

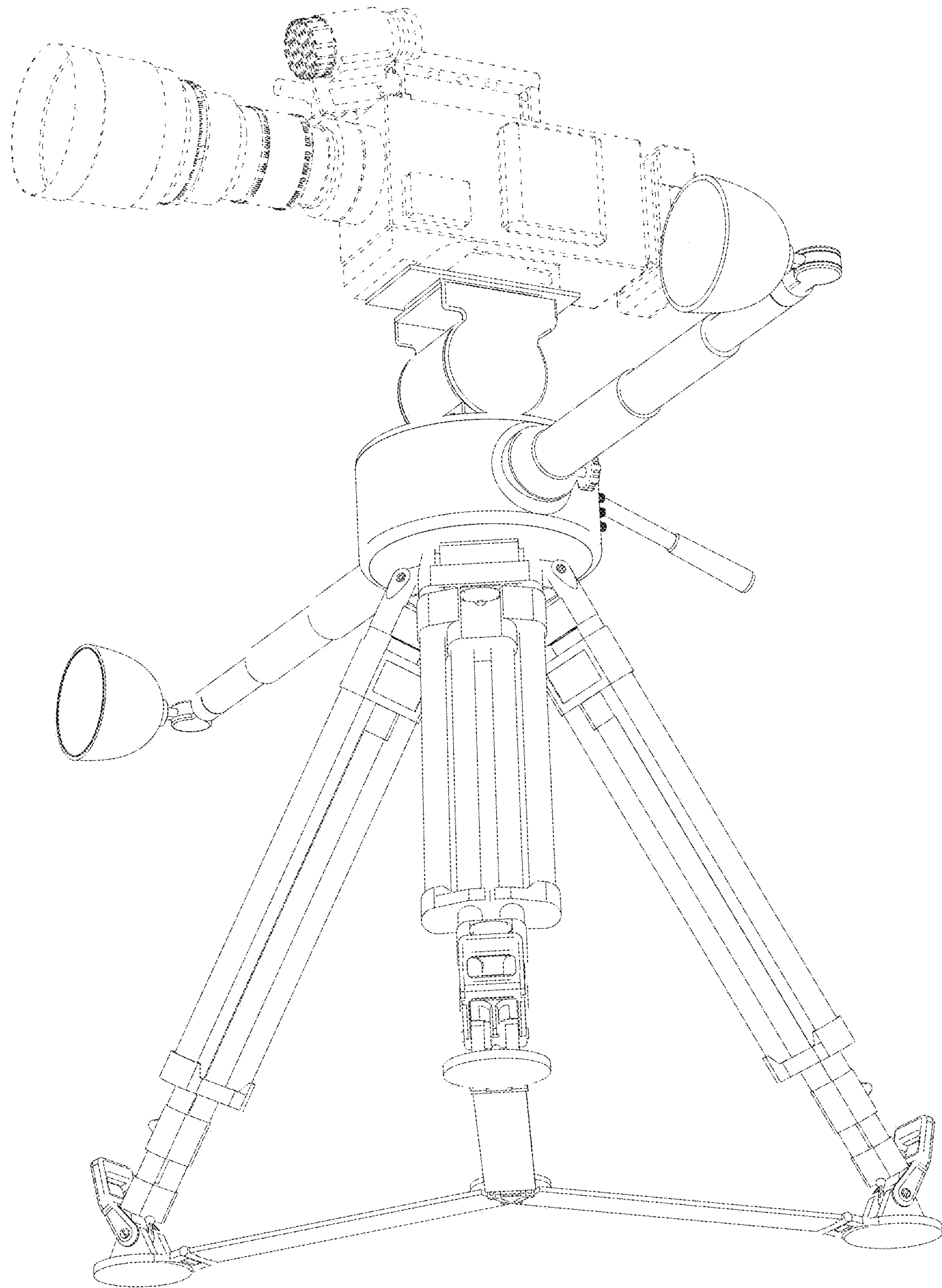


FIG. 2



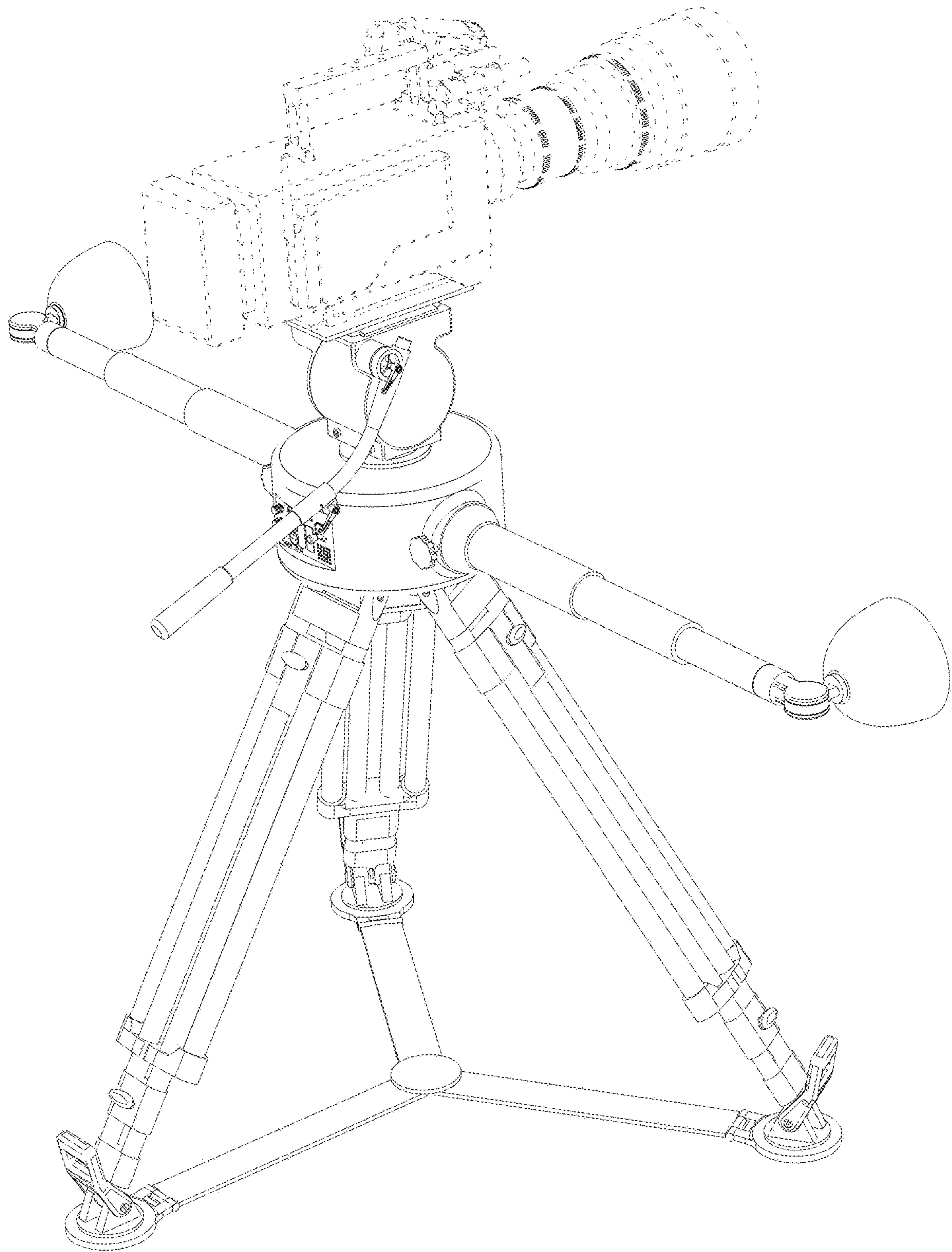


FIG. 3

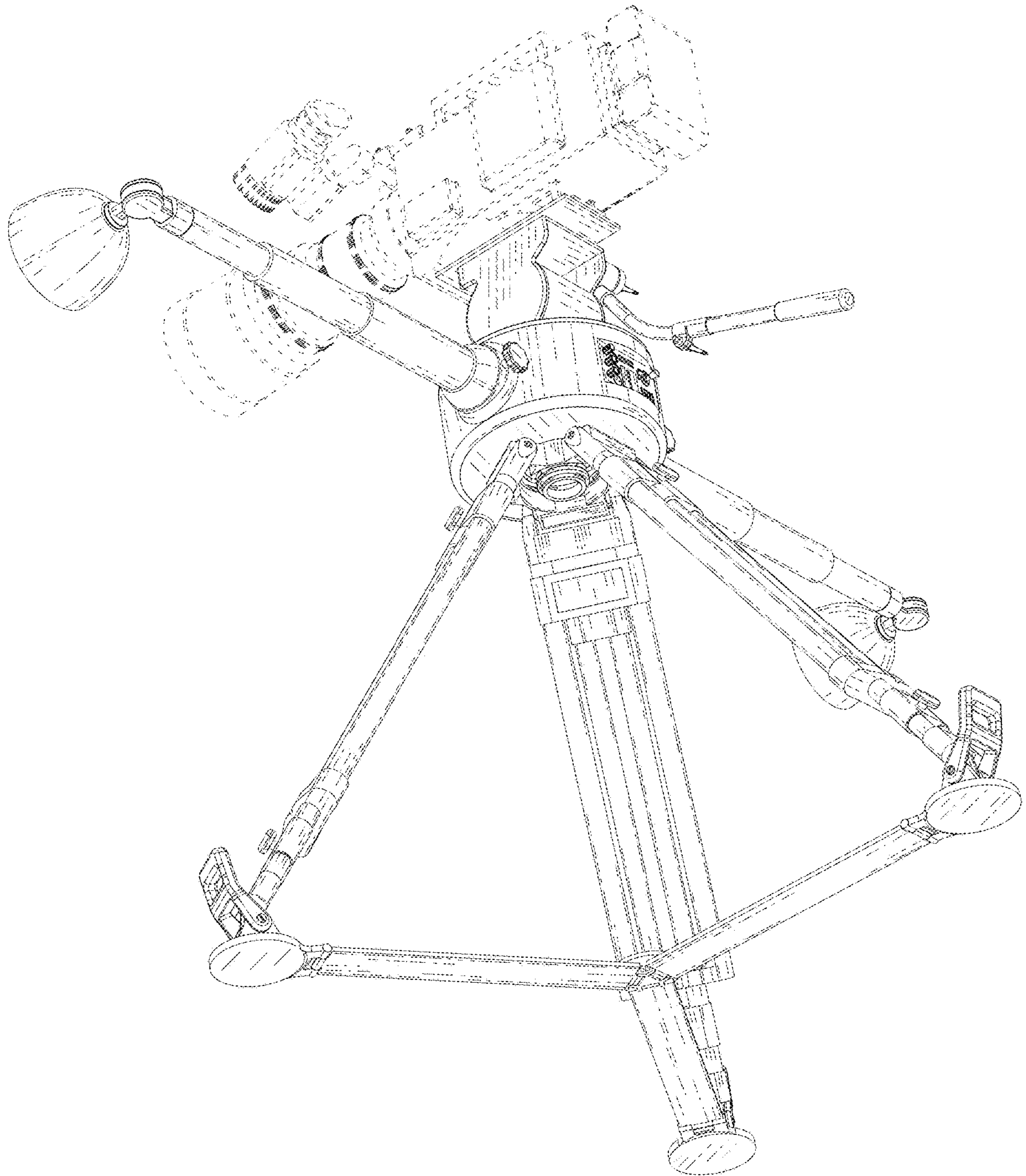


FIG. 4

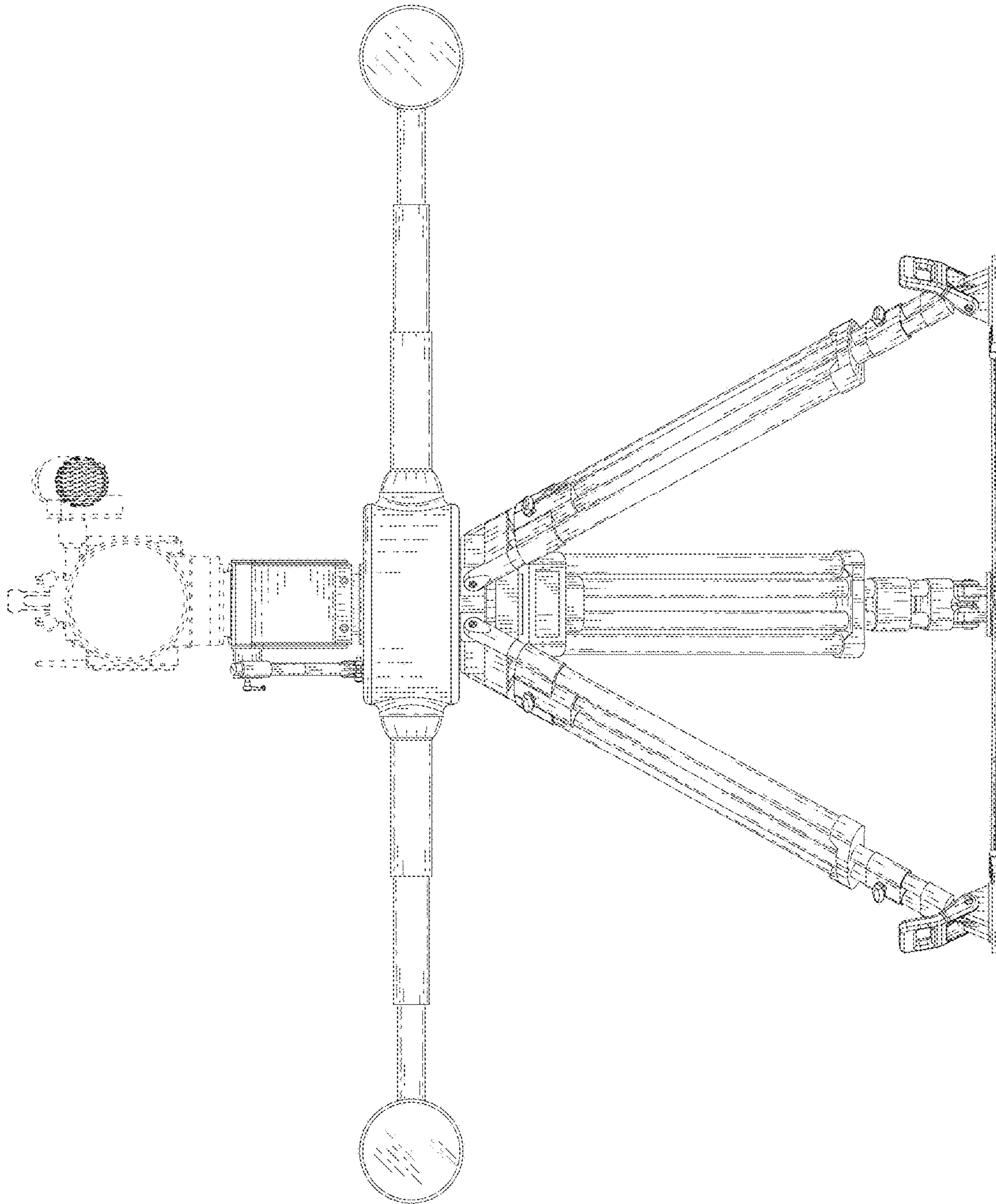


FIG. 5



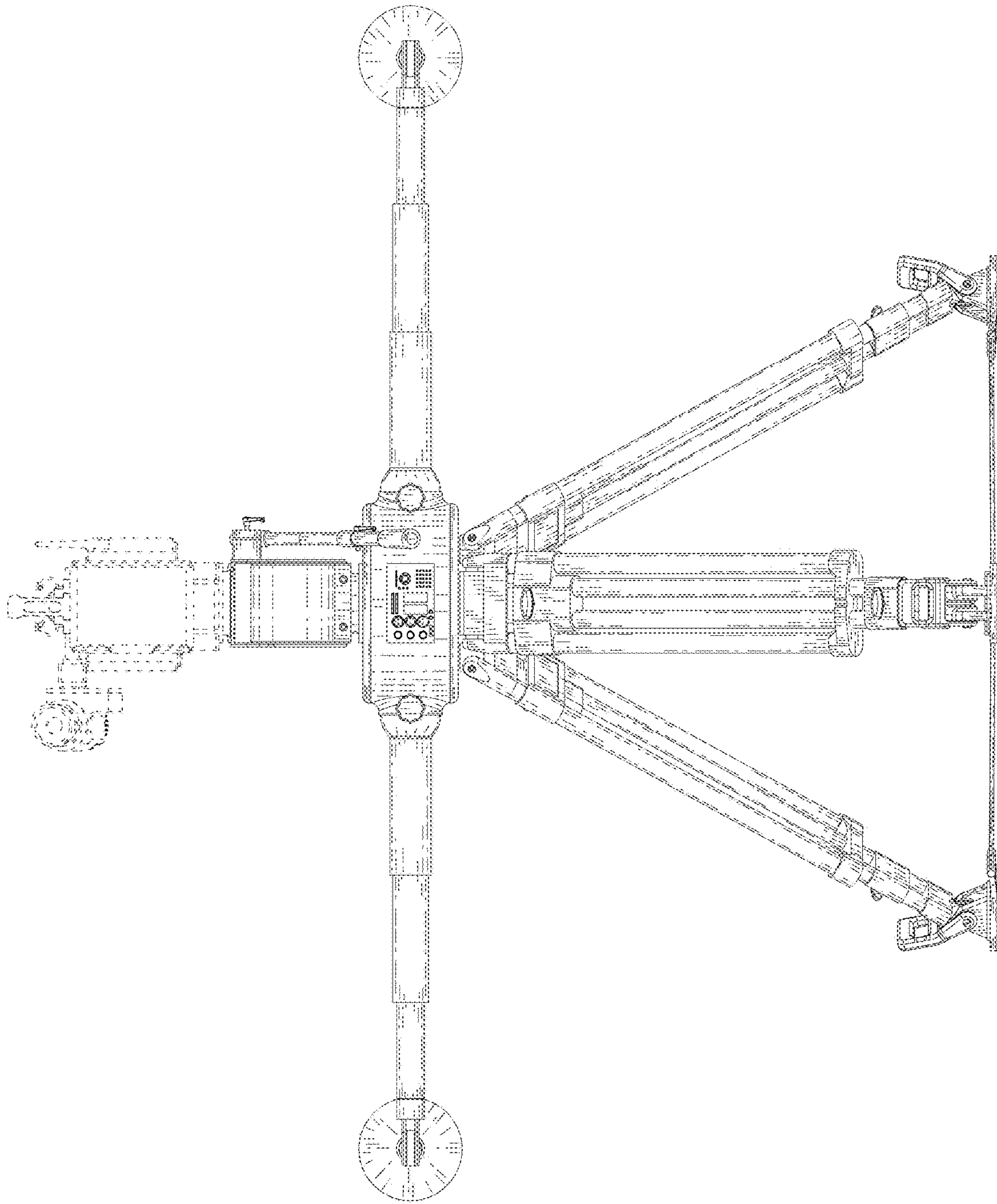


FIG. 6

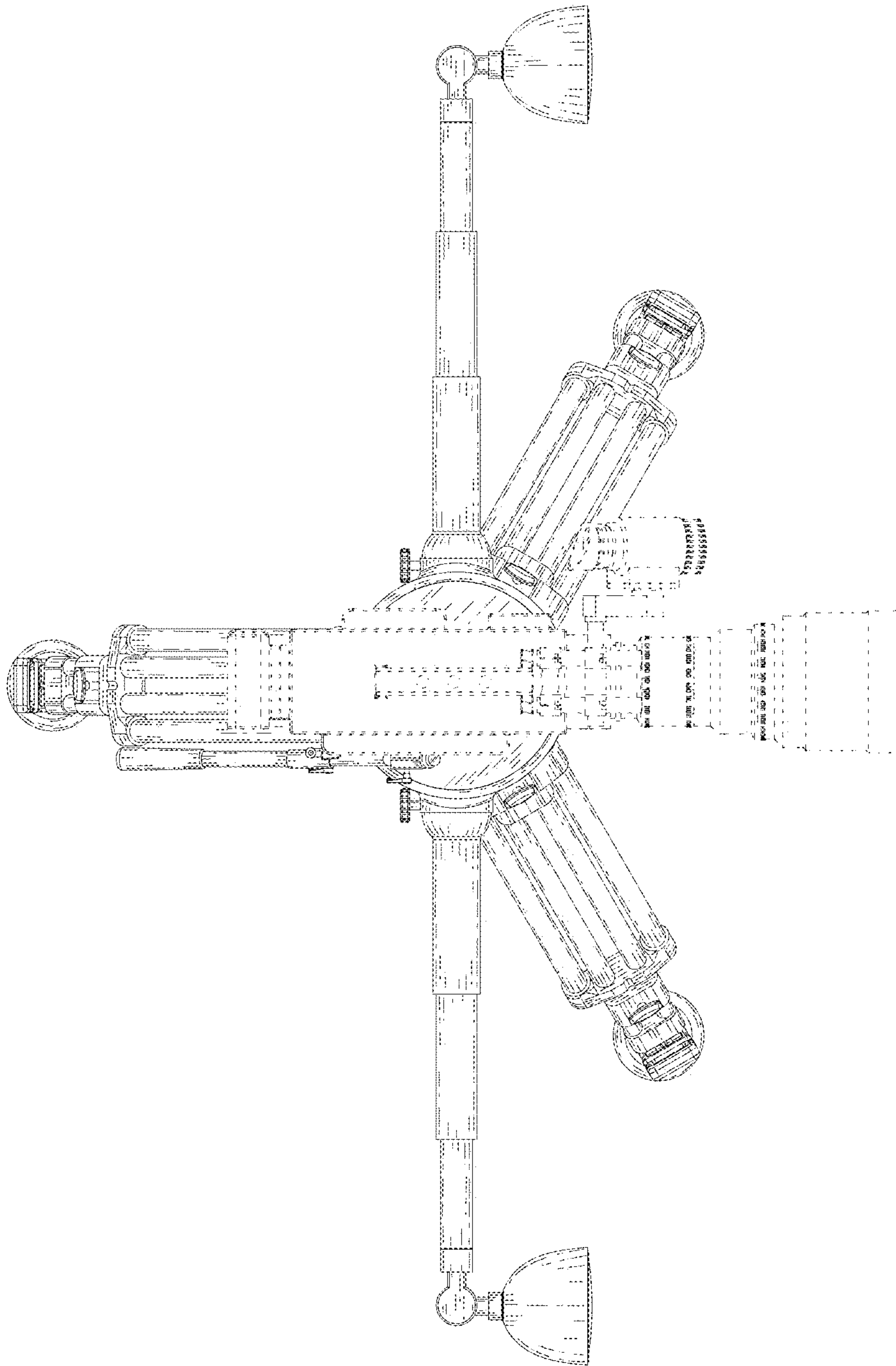


FIG. 7



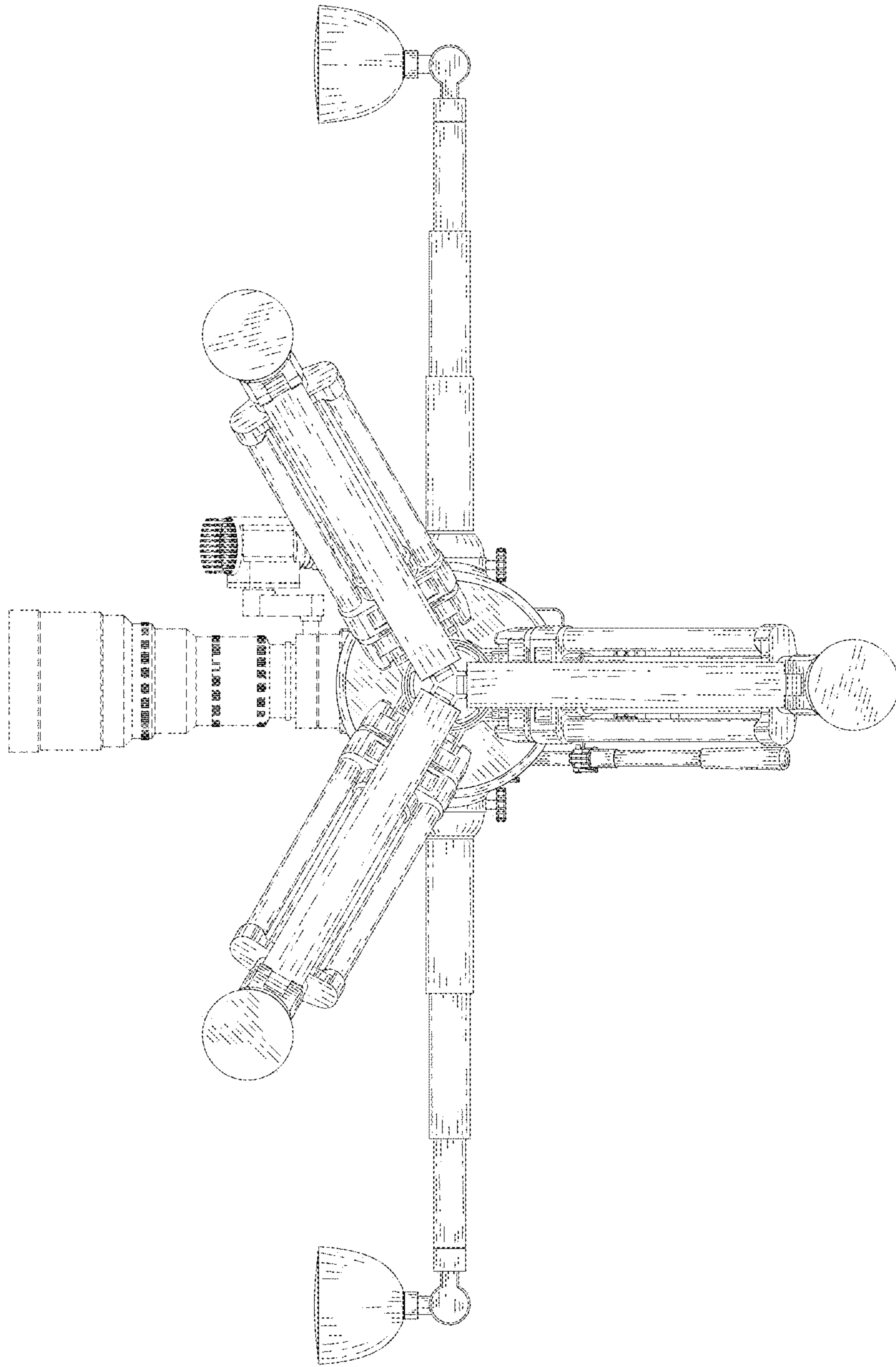


FIG. 8

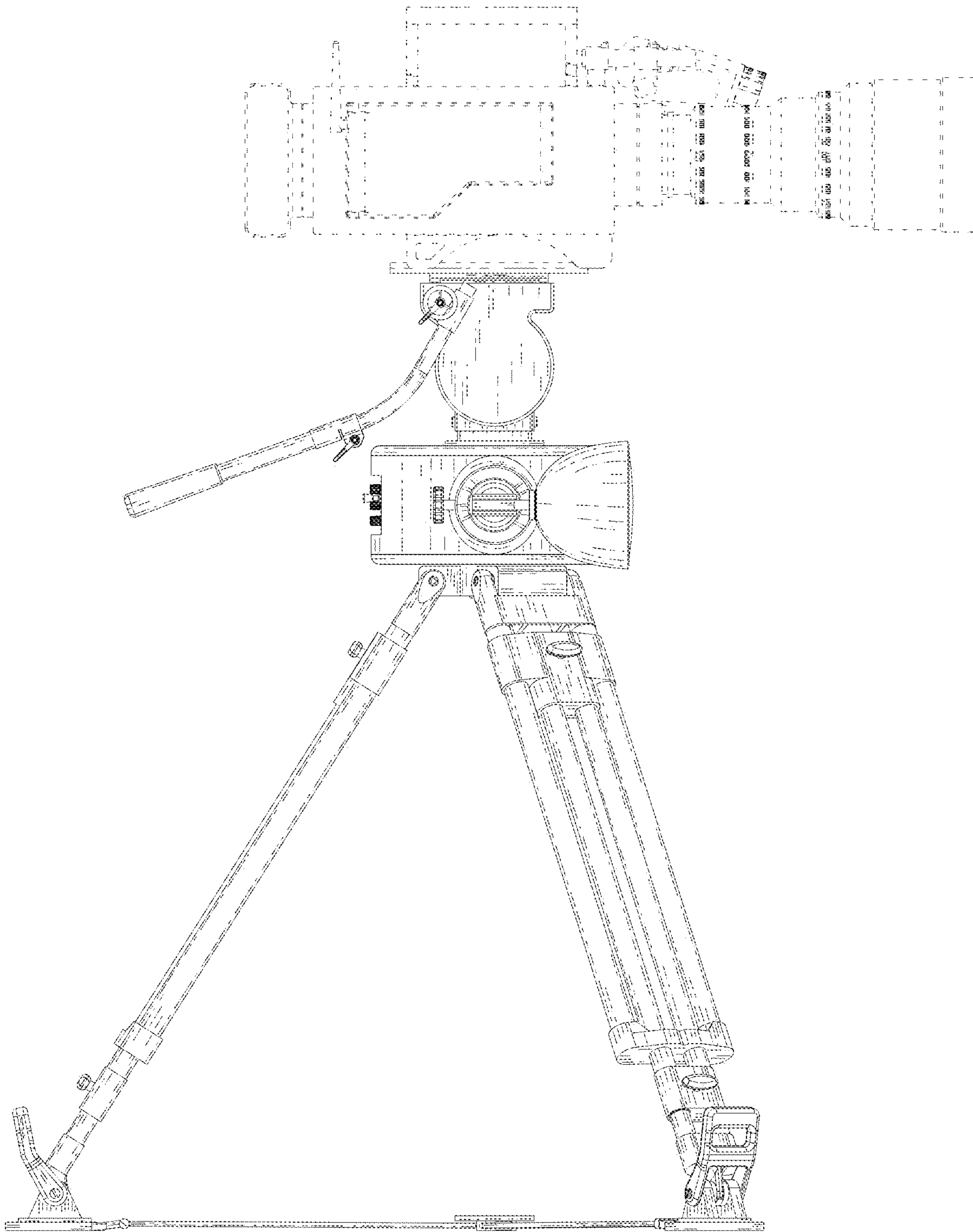


FIG. 9

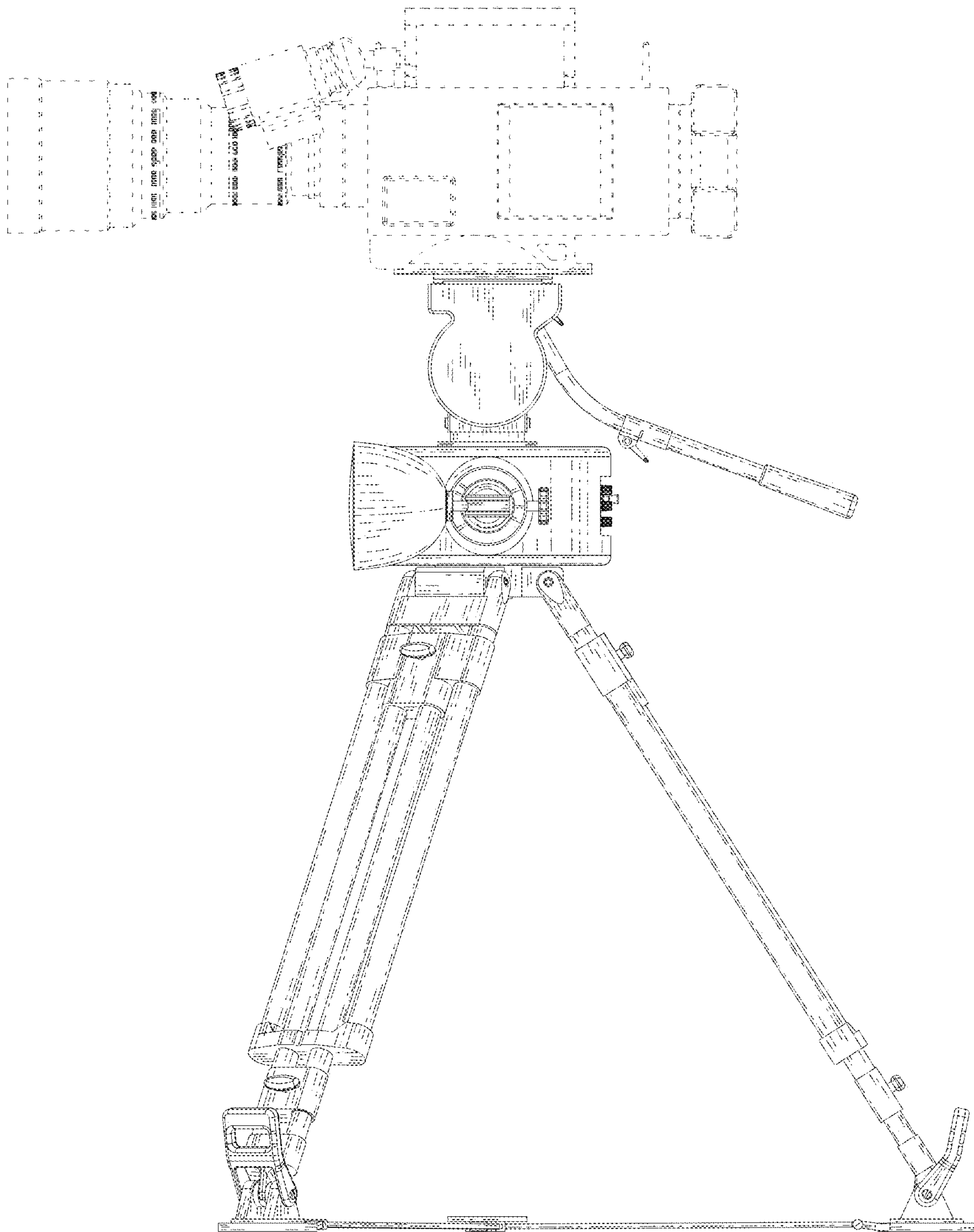


FIG. 10