



US00D908163S

(12) **United States Design Patent**
Miyazawa et al.

(10) **Patent No.:** **US D908,163 S**

(45) **Date of Patent:** **** Jan. 19, 2021**

(54) **CONTROLLER FOR BROADCAST LENSES**

(71) Applicant: **CANON KABUSHIKI KAISHA,**
Tokyo (JP)

(72) Inventors: **Yoshihiro Miyazawa,** Tokyo (JP);
Masaaki Igarashi, Tokyo (JP)

(**) Term: **15 Years**

(21) Appl. No.: **35/507,345**

(22) Filed: **Feb. 26, 2019**

(80) **Hague Agreement Data**

Int. Filing Date: **Feb. 26, 2019**
Int. Reg. No.: **DM/201460**
Int. Reg. Date: **Feb. 26, 2019**
Int. Reg. Pub. Date: **Aug. 30, 2019**

(30) **Foreign Application Priority Data**

Aug. 31, 2018 (JP) 2018-019060
Aug. 31, 2018 (JP) 2018-019061
Aug. 31, 2018 (JP) 2018-019062
Aug. 31, 2018 (JP) 2018-019063

(51) **LOC (13) Cl.** **16-05**

(52) **U.S. Cl.**
USPC **D16/219; D16/237**

(58) **Field of Classification Search**
USPC D16/134, 136, 200, 204, 208, 213-219,
D16/235, 237-250
CPC G02B 7/04
See application file for complete search history.

(56) **References Cited**

U.S. PATENT DOCUMENTS

D190,890 S * 7/1961 Broido et al. D16/206
D330,904 S * 11/1992 Sasaki D16/219

D401,264 S * 11/1998 Miyamoto D16/243
D407,732 S * 4/1999 Miyamoto D16/219
D407,733 S * 4/1999 Fukushima D16/243
D448,396 S 9/2001 Miyazawa
D615,118 S * 5/2010 Isozaki D16/243
D624,110 S * 9/2010 Isozaki D16/243
D707,744 S * 6/2014 Shimizu D16/206
D849,574 S * 5/2019 Sanders D10/78
D867,432 S * 11/2019 Kimura D16/237

OTHER PUBLICATIONS

Copending, unpublished International Design U.S. Appl. No. 35/502,418 to Hiroyuki Kimura, filed Aug. 4, 2016.
Copending, unpublished Design U.S. Appl. No. 29/645,191 to Masaaki Igarashi, filed Apr. 24, 2018.

* cited by examiner

Primary Examiner — Holly E Thurman

(57) **CLAIM**

The ornamental design for a controller for broadcast lenses, as shown and described.

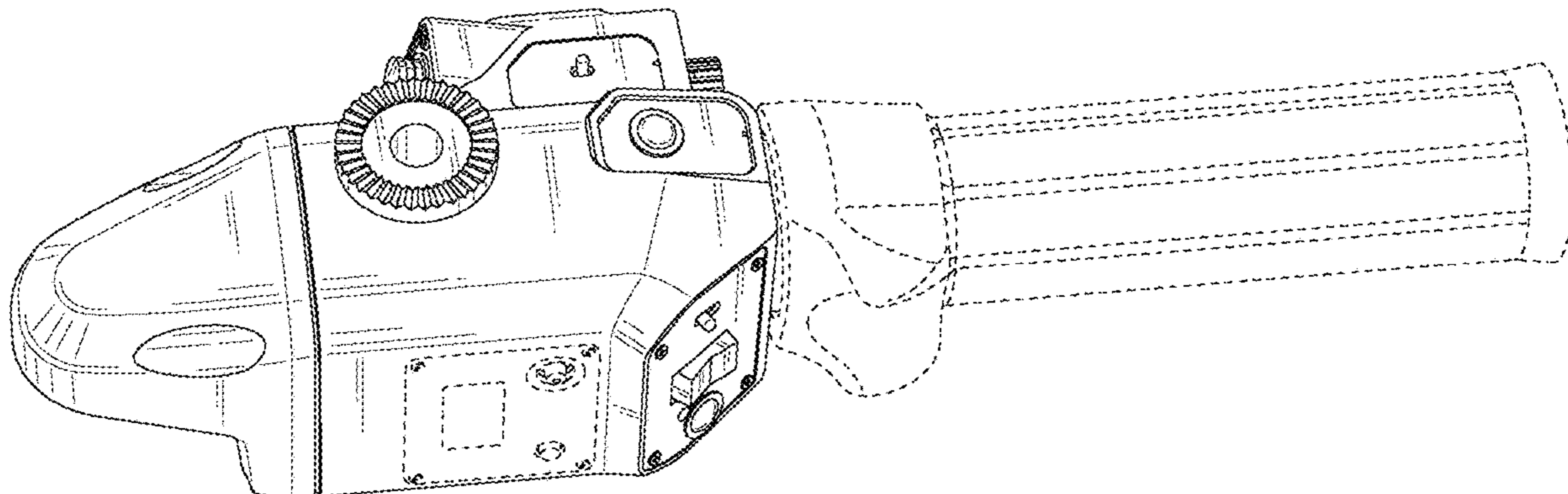
DESCRIPTION

Controller for broadcast lenses

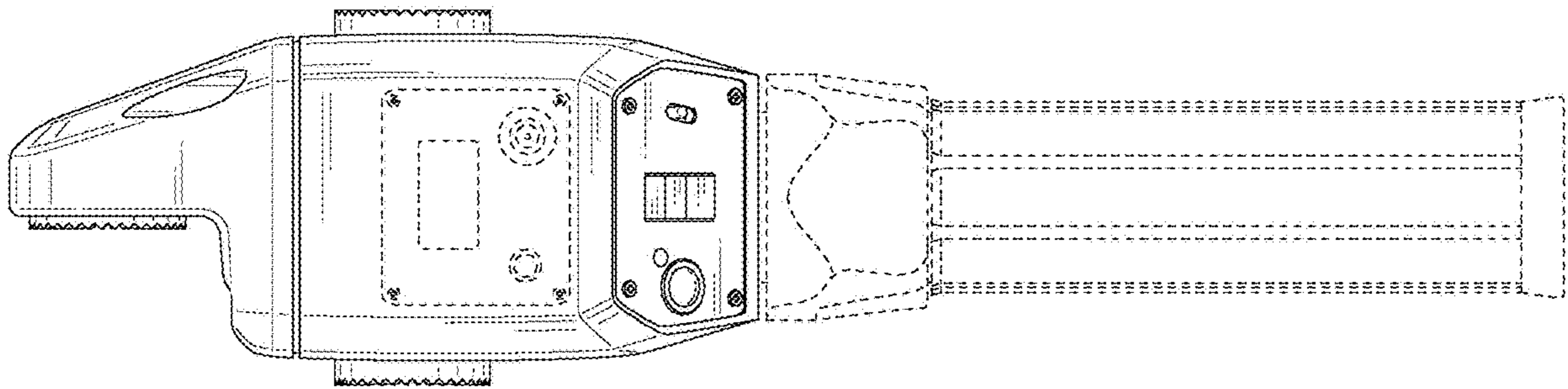
- 1.1 : Front
- 1.2 : Back
- 1.3 : Top
- 1.4 : Bottom
- 1.5 : Left
- 1.6 : Right
- 1.7 : Perspective

The broken lines depict portions of the controller for broadcast lenses that form no part of the claimed design.

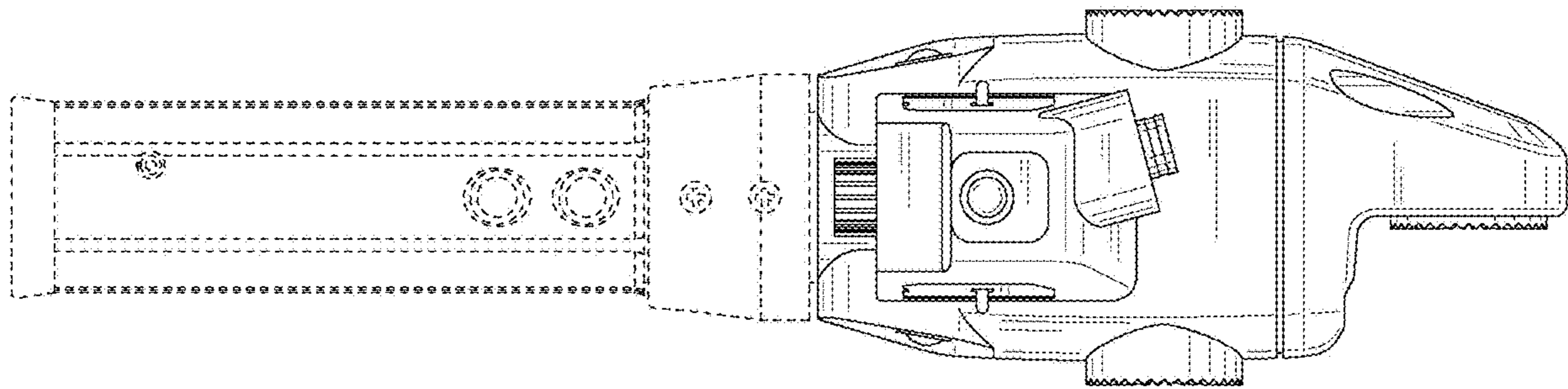
1 Claim, 7 Drawing Sheets



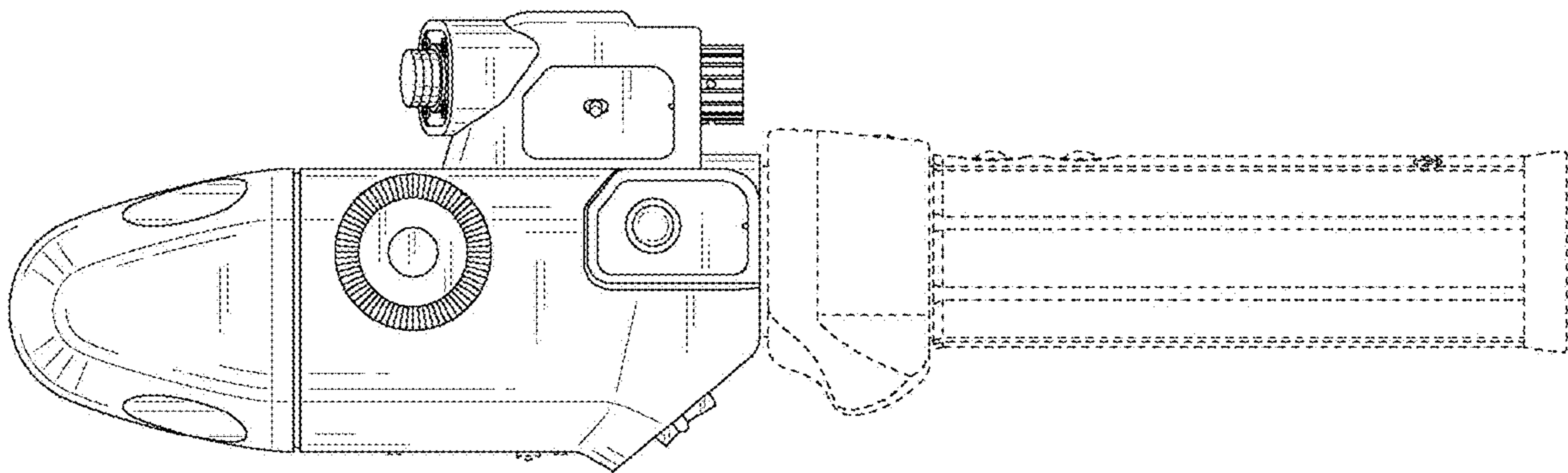
1.1



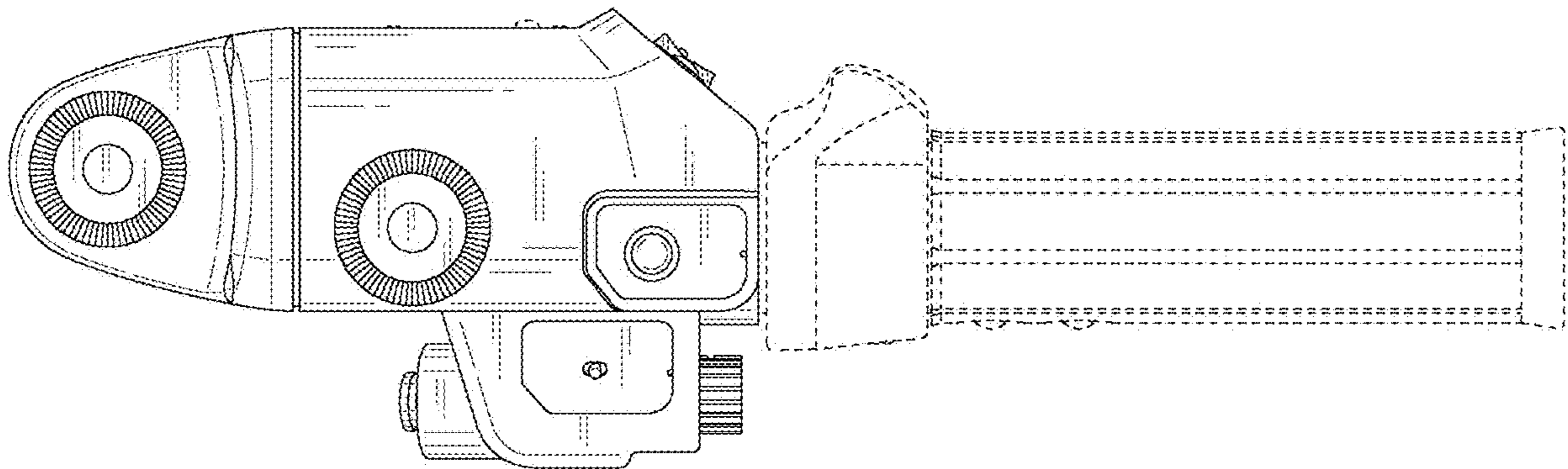
1.2



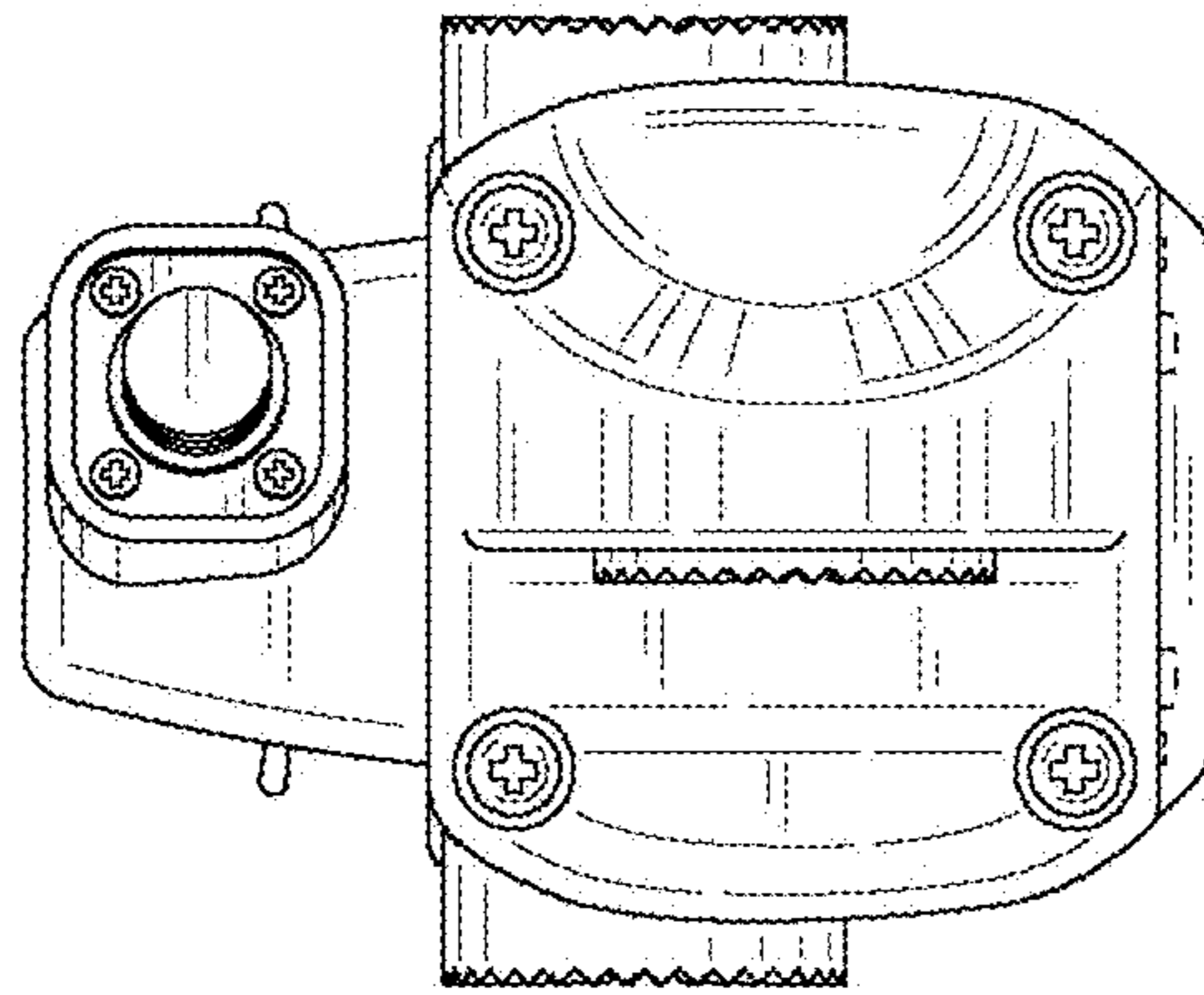
1.3



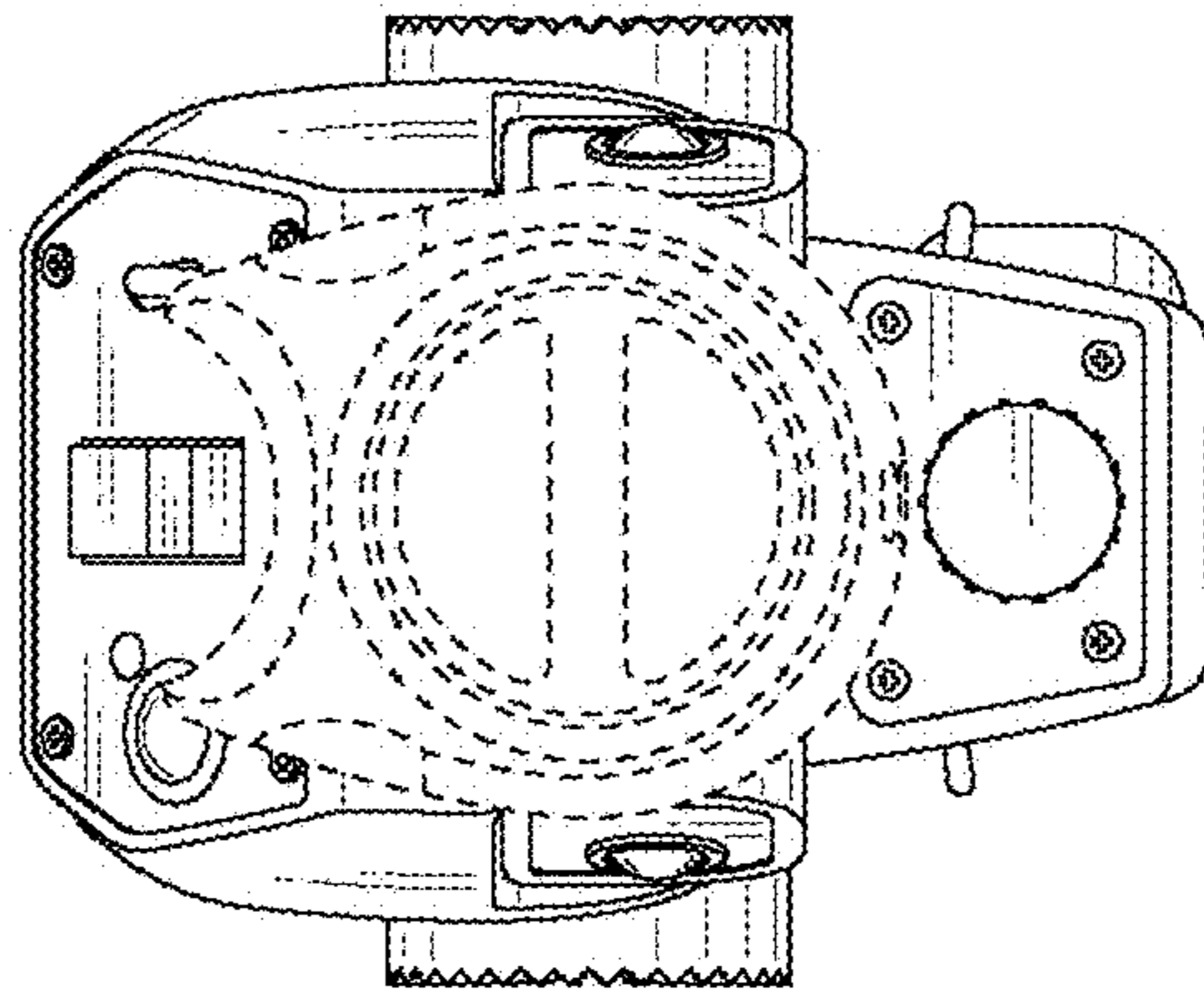
1.4



1.5



1.6



1.7

