



US00D908161S

(12) **United States Design Patent** (10) **Patent No.:** **US D908,161 S**
Dacosta et al. (45) **Date of Patent:** **** Jan. 19, 2021**

(54) **HANDHELD IMAGING DEVICE**
(71) Applicant: **MolecuLight Inc.**, Toronto (CA)
(72) Inventors: **Ralph S. Dacosta**, Etobicoke (CA); **Simon Treadwell**, Toronto (CA); **Todd Daynes**, Aurora (CA); **Todd Meaney**, Thornhill (CA); **Danielle Dunham**, Toronto (CA); **Carl Annis**, Oakville (CA); **Connor Wright**, Toronto (CA); **Kimberlyn Dampitan**, Mississauga (CA); **Nitesh Mistry**, Toronto (CA)

D658,298 S 4/2012 Prpa
D677,793 S 3/2013 Prpa
D733,595 S 7/2015 Hoshino
D753,308 S 4/2016 Marinkovich et al.
D787,684 S 5/2017 Vezina
D822,747 S * 7/2018 Van Deusen D16/218
D822,748 S * 7/2018 Van Deusen D16/218
D827,014 S * 8/2018 Sakai D16/218
D849,105 S * 5/2019 Hogstedt D16/218

(Continued)

FOREIGN PATENT DOCUMENTS

EP 2502551 A1 9/2012
EP 3372143 A1 9/2018

(Continued)

(73) Assignee: **MOLECULIGHT, INC.**, Toronto (CA)

(**) Term: **15 Years**

OTHER PUBLICATIONS

(21) Appl. No.: **29/676,901**

U.S. Appl. No. 62/793,842, dated Jan. 17, 2019.

(22) Filed: **Jan. 15, 2019**

(Continued)

(51) **LOC (13) Cl.** **16-01**

Primary Examiner — Ramzi S Almatrahi

(52) **U.S. Cl.**
USPC **D16/218**

(74) *Attorney, Agent, or Firm* — Jones Robb, PLLC

(58) **Field of Classification Search**
USPC D16/200, 202–204, 208, 218, 219;
348/143, 148, 164, 151, 347, 360,
348/373–376; 396/419, 427–428, 535,
396/539–541

(57) **CLAIM**

CPC G03B 15/03; G03B 17/02; G03B 17/04;
G03B 17/48; G03B 17/56; G03B 19/04;
G08G 1/0175; H04N 5/2251; H04N
5/2252; H04N 5/2253; H04N 5/2254

The ornamental design for a handheld imaging device, as shown and described.

See application file for complete search history.

DESCRIPTION

(56) **References Cited**

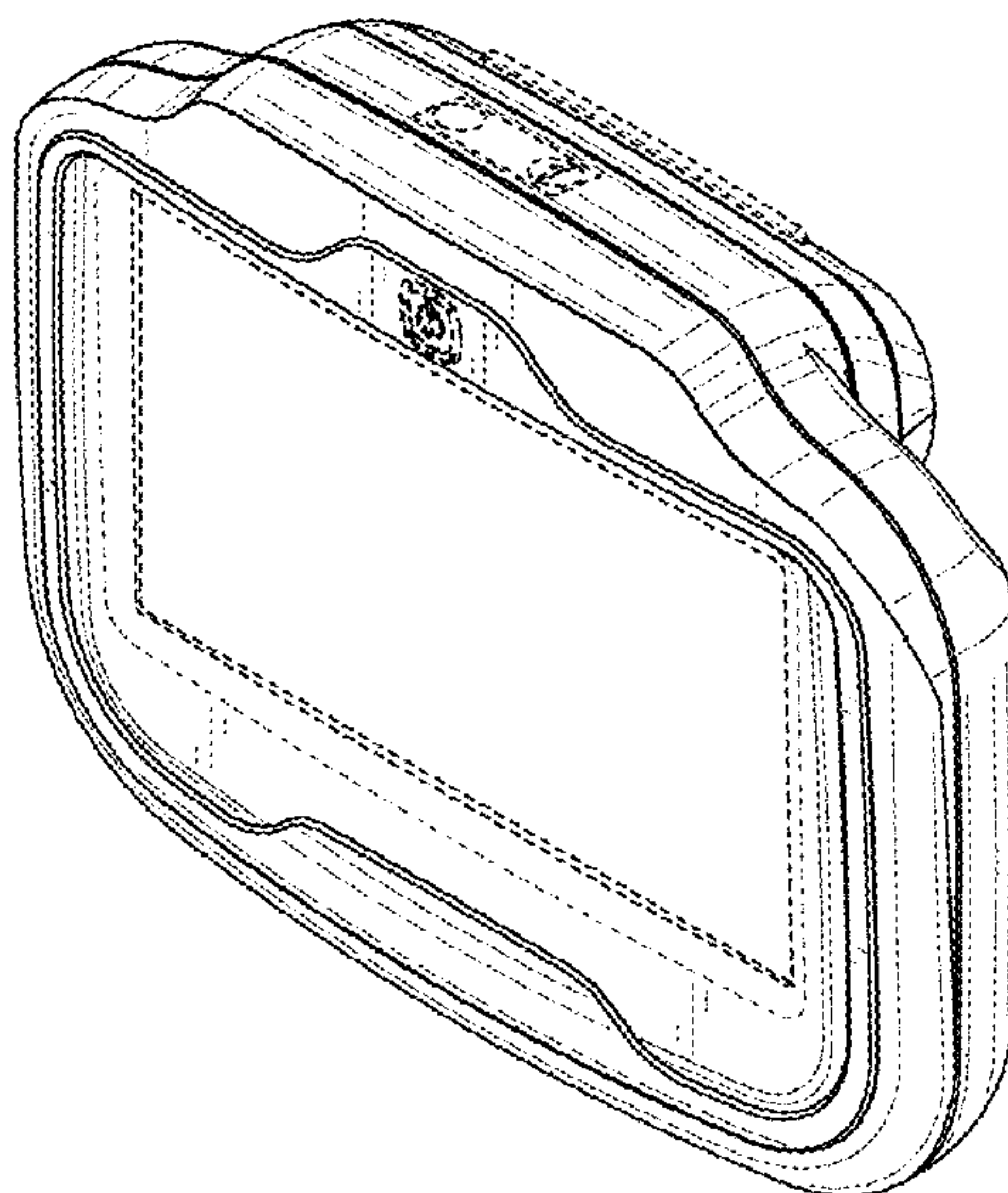
U.S. PATENT DOCUMENTS

6,601,997 B2 8/2003 Ngo
D480,478 S 10/2003 Leonard et al.
D585,554 S 1/2009 Suzuki
D610,178 S * 2/2010 Adolfsson D16/200
D636,424 S * 4/2011 Lin D16/202

FIG. 1 is a top, front and right side perspective view of a handheld imaging device showing our new design;
FIG. 2 is a front view thereof.
FIG. 3 is a back view thereof.
FIG. 4 is a left side view thereof.
FIG. 5 is a right side view thereof.
FIG. 6 is a top view thereof; and,
FIG. 7 is a bottom view thereof.

The broken lines depict portions of the handheld imaging device in which the design is embodied that form no part of the claimed design.

1 Claim, 5 Drawing Sheets



(56)

References Cited

U.S. PATENT DOCUMENTS

D859,498 S * 9/2019 Lin D16/218
D861,176 S 9/2019 Yoon et al.
D861,764 S * 10/2019 Zhao D16/218
D865,845 S * 11/2019 Sakai D16/218
D868,867 S * 12/2019 Jean D16/202
D873,890 S * 1/2020 Fidler D16/218
2010/0145146 A1 6/2010 Melder
2014/0180116 A1 6/2014 Lindekugel et al.
2015/0182196 A1 7/2015 Ninomiya et al.
2016/0287211 A1 10/2016 DaCosta et al.
2018/0242848 A1 8/2018 Dacosta et al.

FOREIGN PATENT DOCUMENTS

WO 2017079844 A1 5/2017
WO 2020148725 A1 7/2020
WO 2020148726 A1 7/2020

OTHER PUBLICATIONS

U.S. Appl. No. 62/793,846, dated Jan. 17, 2019.
U.S. Appl. No. 621857,183, dated Jun. 4, 2019.
Design U.S. Appl. No. 29/677,152, dated Jan. 17, 2019.
Notice of Allowance in U.S. Appl. No. 29/677,152, dated Apr. 1, 2020.
International Search Report and Written Opinion from International Patent Application No. PCT/162020/050384, dated Apr. 22, 2020.
International Search Report and Written Opinion from International Patent Application No. PCT/162020/050385 dated Apr. 8, 2020.

* cited by examiner

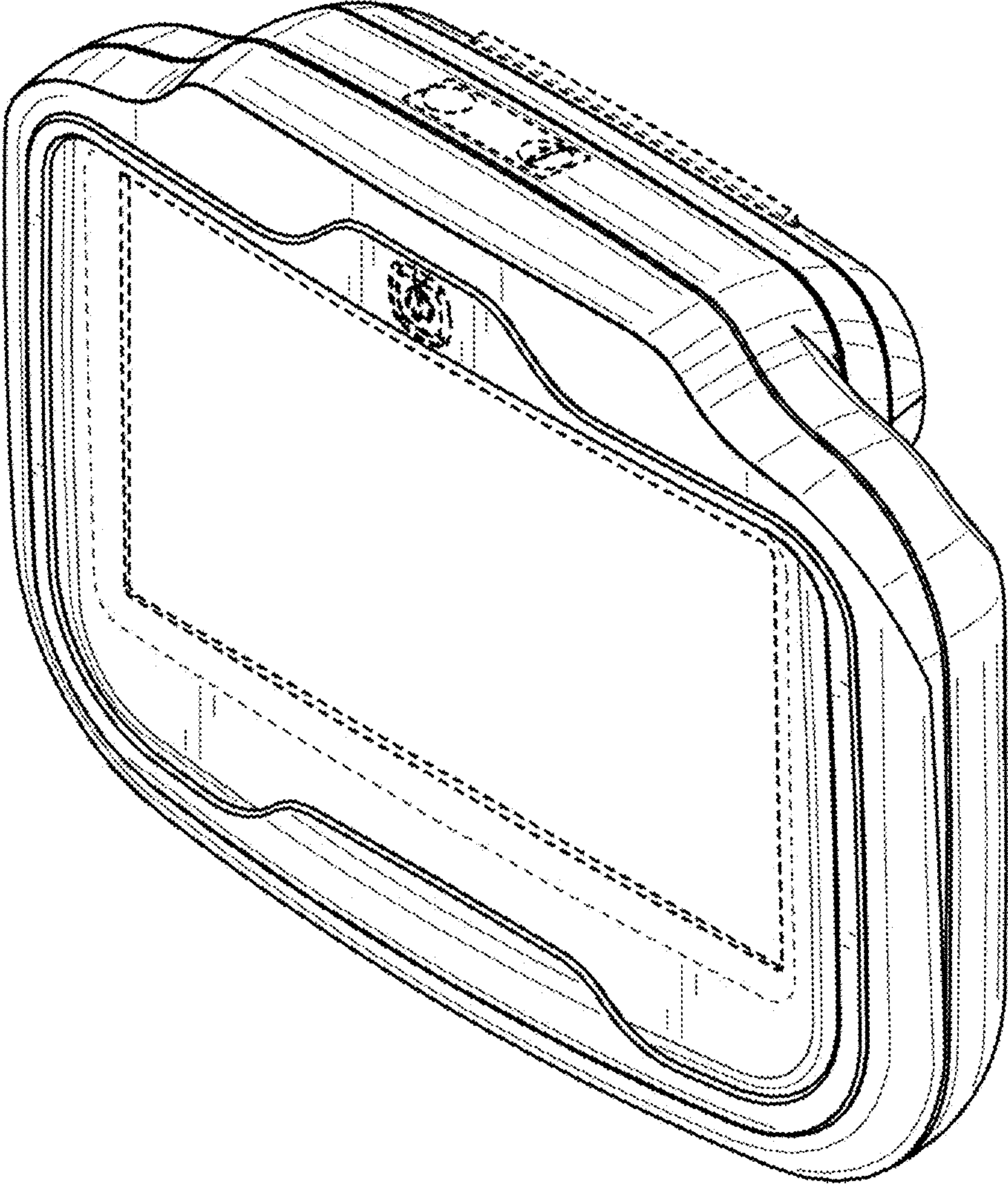


FIG. 1

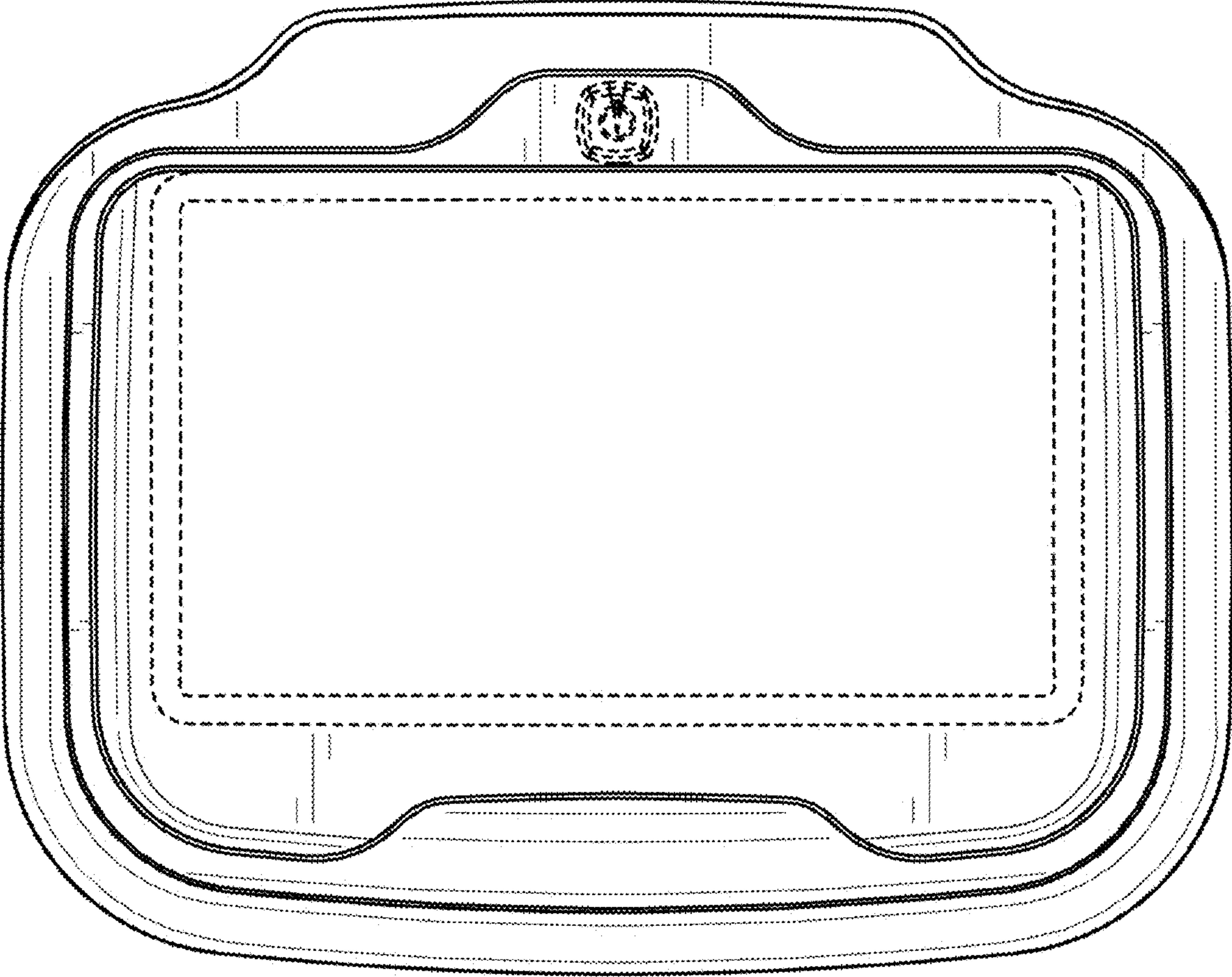


FIG. 2

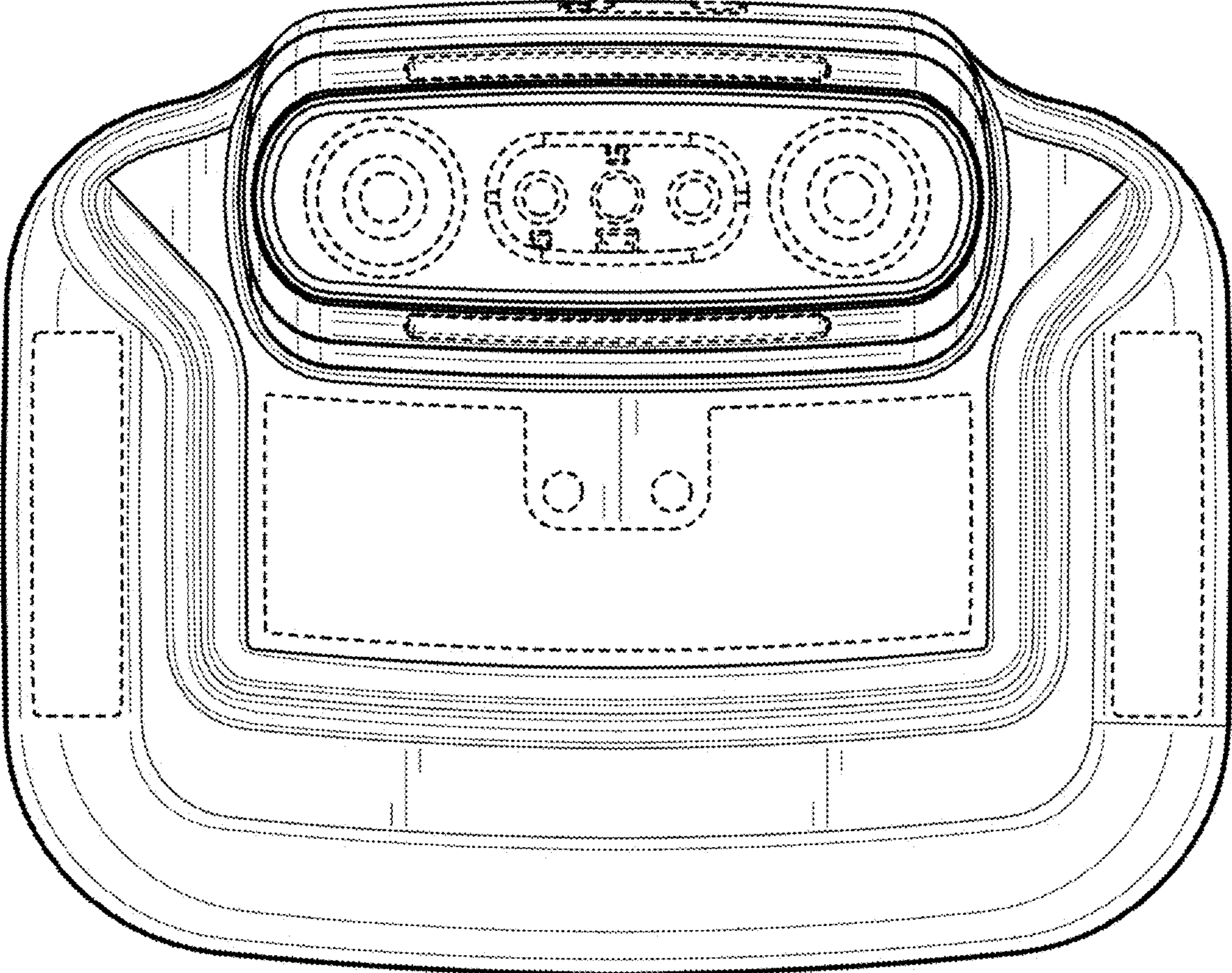


FIG. 3

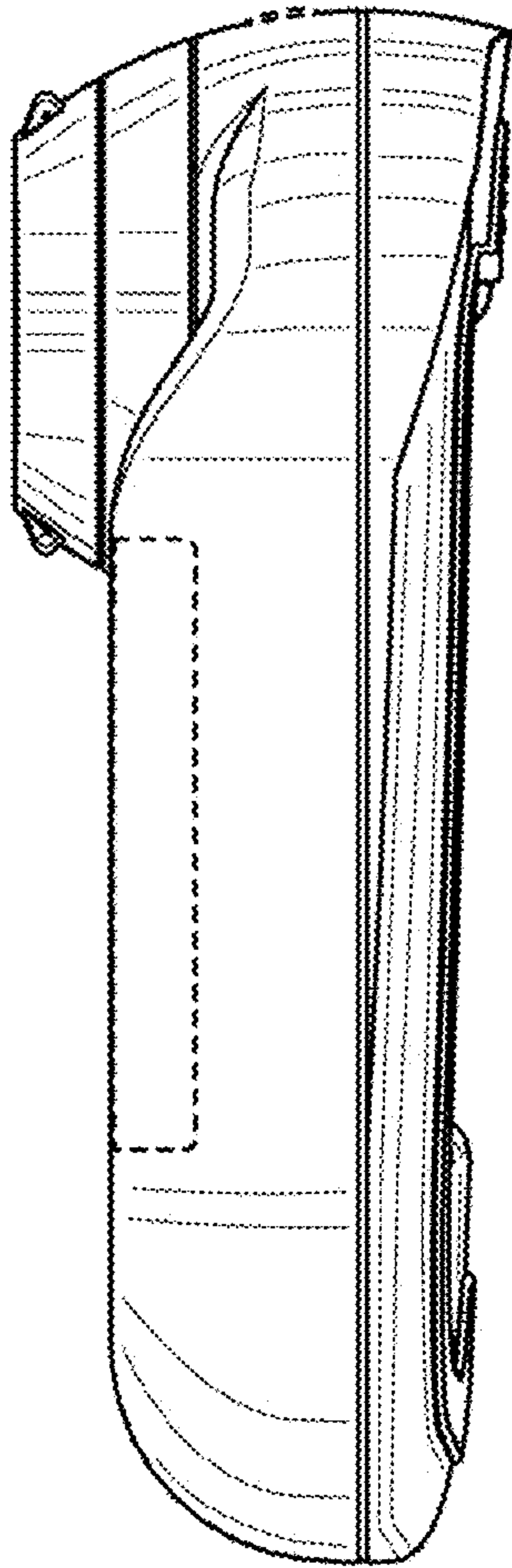


FIG. 4

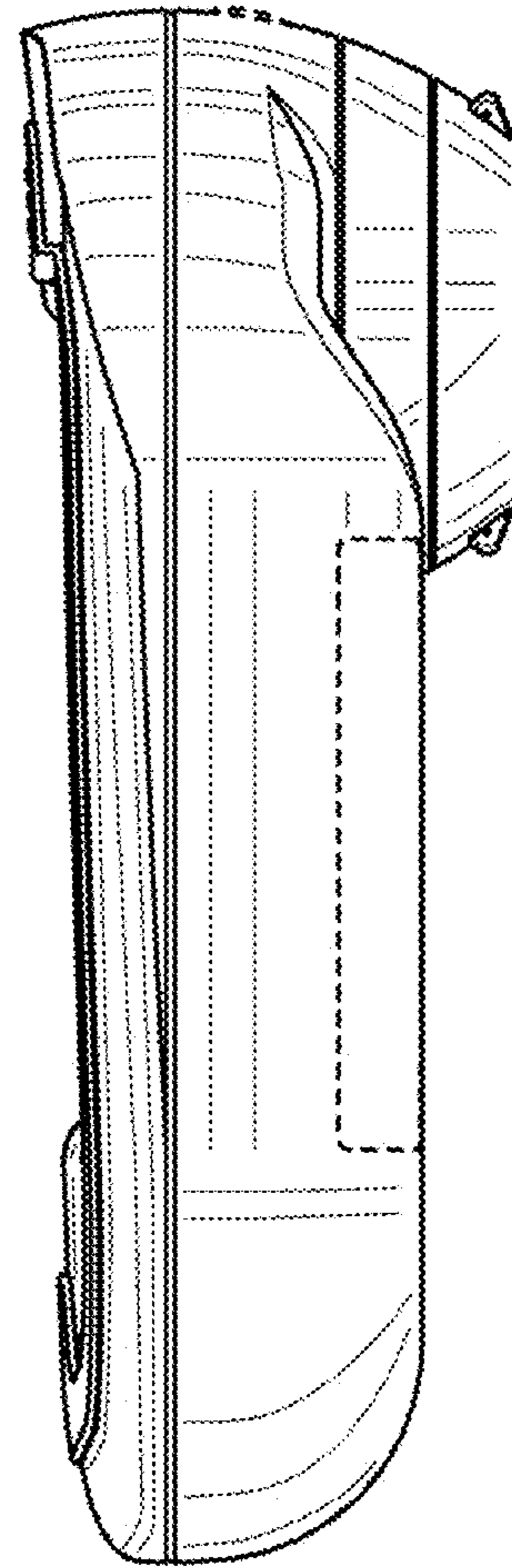


FIG. 5

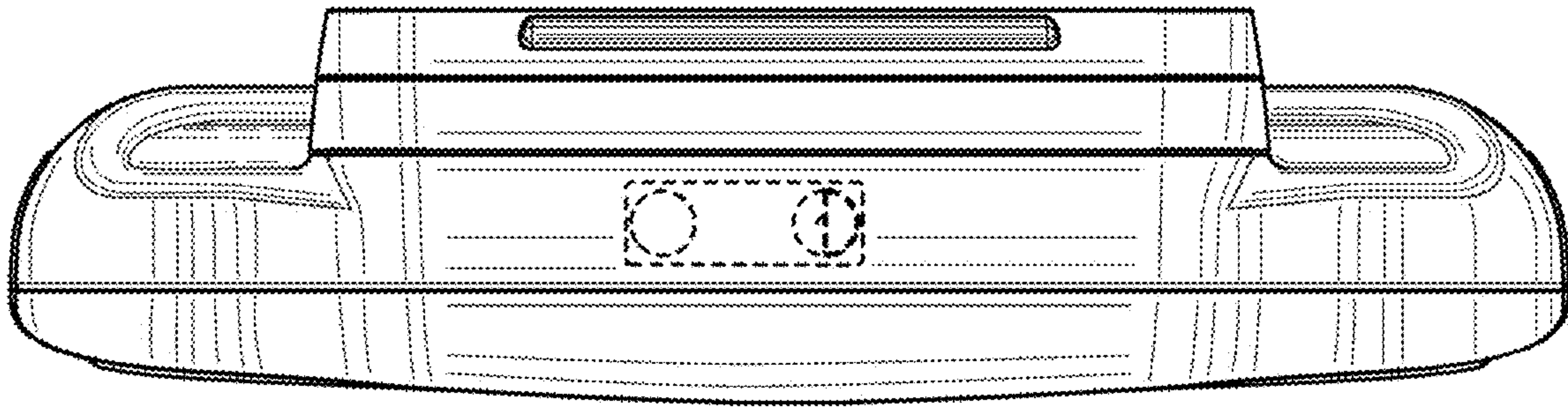


FIG. 6

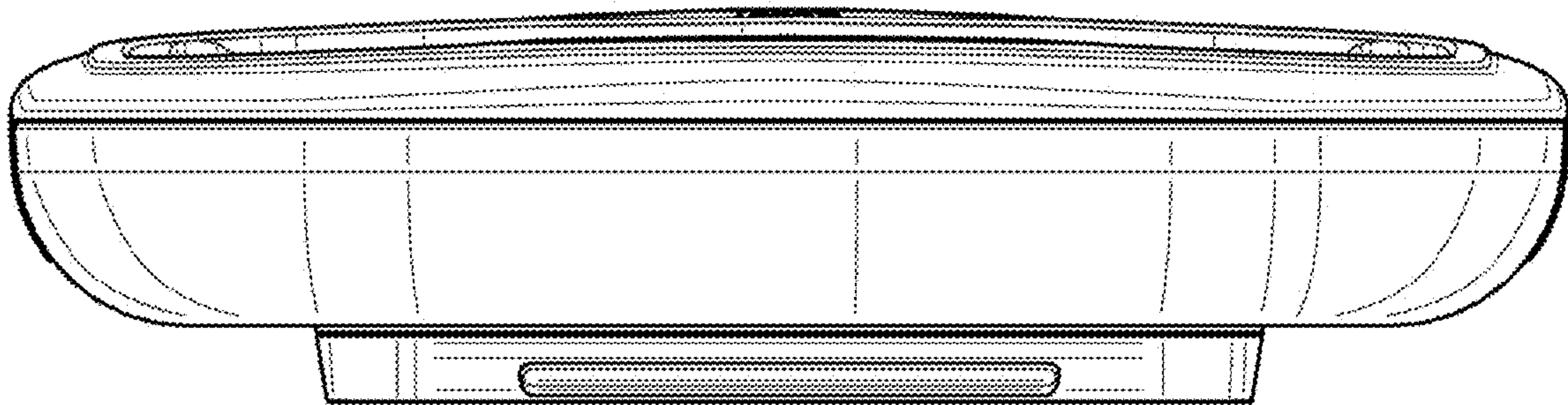


FIG. 7