



US00D908160S

(12) **United States Design Patent**
Sun

(10) **Patent No.:** **US D908,160 S**

(45) **Date of Patent:** **** Jan. 19, 2021**

(54) **DIGITAL ORAL CAMERA**

(71) Applicant: **Yingjie Sun**, Shenzhen (CN)

(72) Inventor: **Yingjie Sun**, Shenzhen (CN)

(**) Term: **15 Years**

(21) Appl. No.: **29/699,877**

(22) Filed: **Jul. 30, 2019**

(51) **LOC (13) Cl.** **16-01**

(52) **U.S. Cl.**

USPC **D16/208; D24/152**

(58) **Field of Classification Search**

USPC D24/108, 117-118, 132, 133, 137, 138,
D24/150, 152, 158, 222; D16/130, 132,
D16/136, 200, 202-206, 208, 218, 219;
348/347, 373-376; 396/535, 539-541;
600/49, 109, 137, 145-147
CPC G03B 15/03; G03B 17/02; G03B 17/04;
G03B 17/56; G03B 19/04; H04N 5/2251;
H04N 5/2252; H04N 5/2253; H04N
5/2254; H04N 2101/00; H04N 5/33;
H04N 5/332; A61B 1/000183; A61B
1/00; A61B 1/00039; A61B 1/00052;
A61B 18/14; A61B 18/1445

See application file for complete search history.

(56) **References Cited**

U.S. PATENT DOCUMENTS

D414,867 S * 10/1999 Moriwaki D24/152
6,181,369 B1 * 1/2001 Ooshima A61B 1/00177
348/66
D468,429 S * 1/2003 Bareth D24/137
6,908,307 B2 * 6/2005 Schick A61B 1/24
396/322

D613,865 S * 4/2010 De Charentenay D24/152
8,063,932 B2 * 11/2011 Boyer A61B 1/045
348/66
D674,091 S * 1/2013 Carlson D24/152
D711,951 S * 8/2014 Mazuir D16/218
D722,164 S * 2/2015 Graham, II D24/152
D741,935 S * 10/2015 Sundheim D16/208
D785,176 S * 4/2017 Tseng D24/152
D813,392 S * 3/2018 Wang D24/152
D824,029 S * 7/2018 Cai D24/152
D862,697 S * 10/2019 Kenworthy D24/158
D884,175 S * 5/2020 Aubailly D24/152
D890,341 S * 7/2020 Wohnhaas D24/152
2005/0003323 A1 * 1/2005 Katsuda A61B 1/00101
433/29
2013/0203010 A1 * 8/2013 Inglese A61B 1/00011
433/29

* cited by examiner

Primary Examiner — Ramzi S Almatrahi

(74) *Attorney, Agent, or Firm* — Dunlap Bennett & Ludwig, PLLC

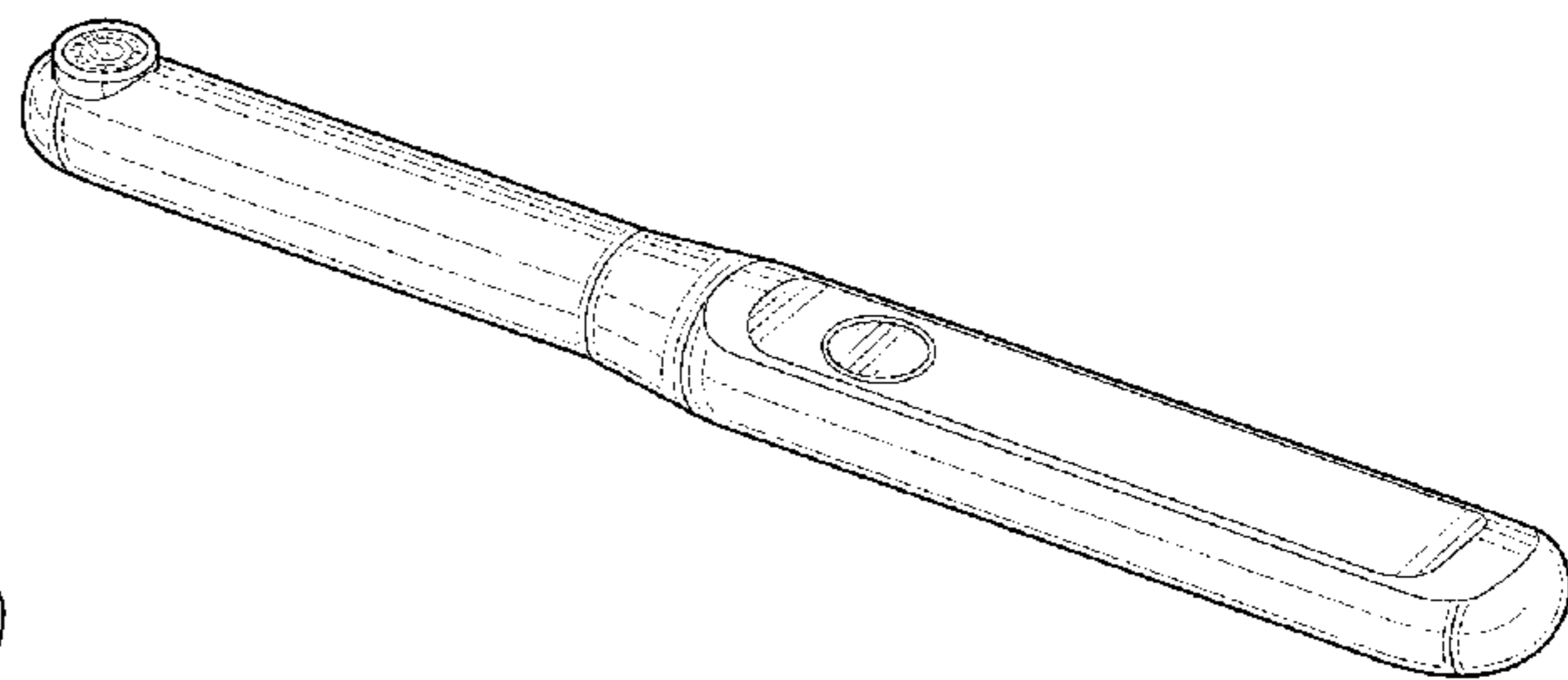
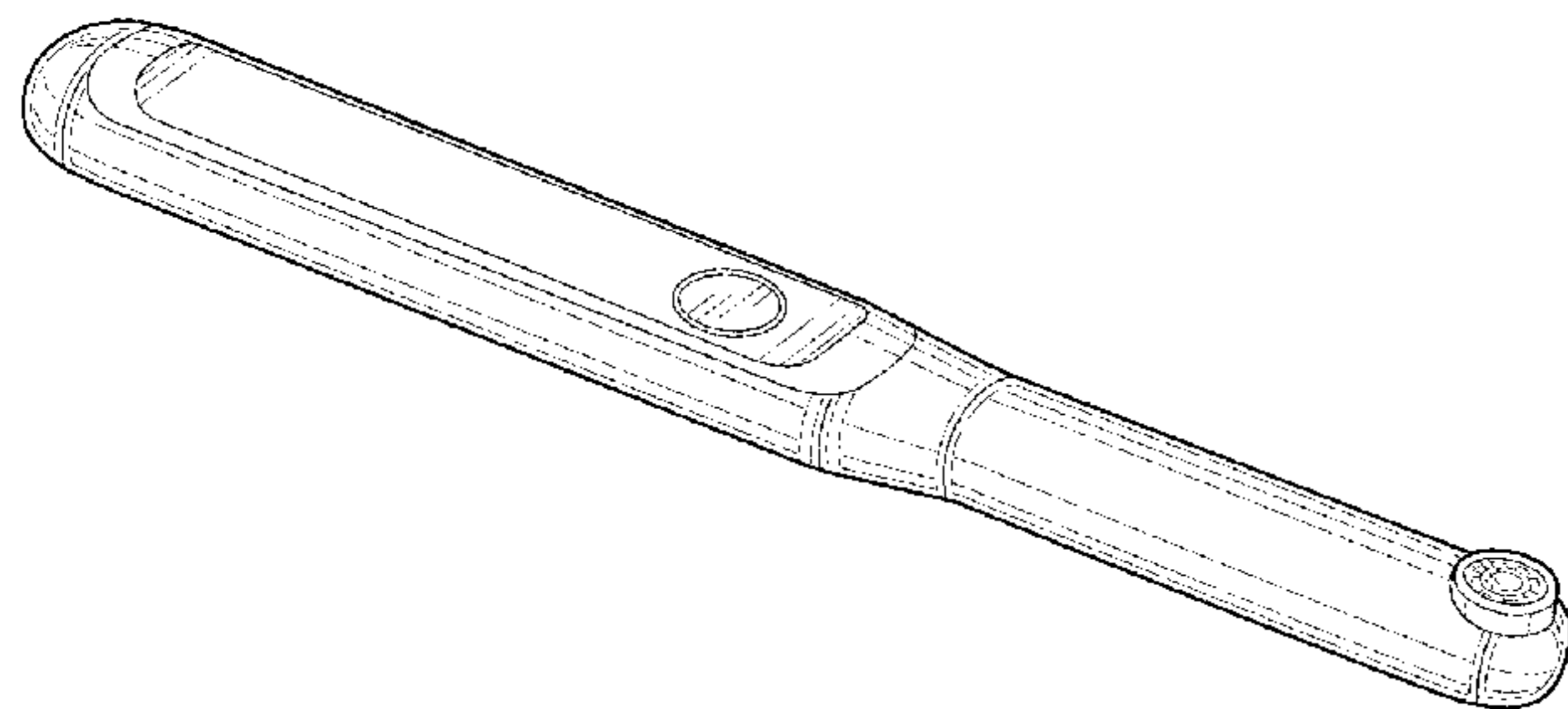
(57) **CLAIM**

The ornamental design for a digital oral camera, as shown and described.

DESCRIPTION

FIG. 1 is a top and left side perspective view of a digital oral camera, showing my new design;
FIG. 2 is a top and right side perspective view thereof;
FIG. 3 is a front elevation view thereof;
FIG. 4 is a rear elevation view thereof;
FIG. 5 is a left-side elevation view thereof;
FIG. 6 is a right-side elevation view thereof;
FIG. 7 is a top plan view thereof; and,
FIG. 8 is a bottom plan view thereof.

1 Claim, 4 Drawing Sheets



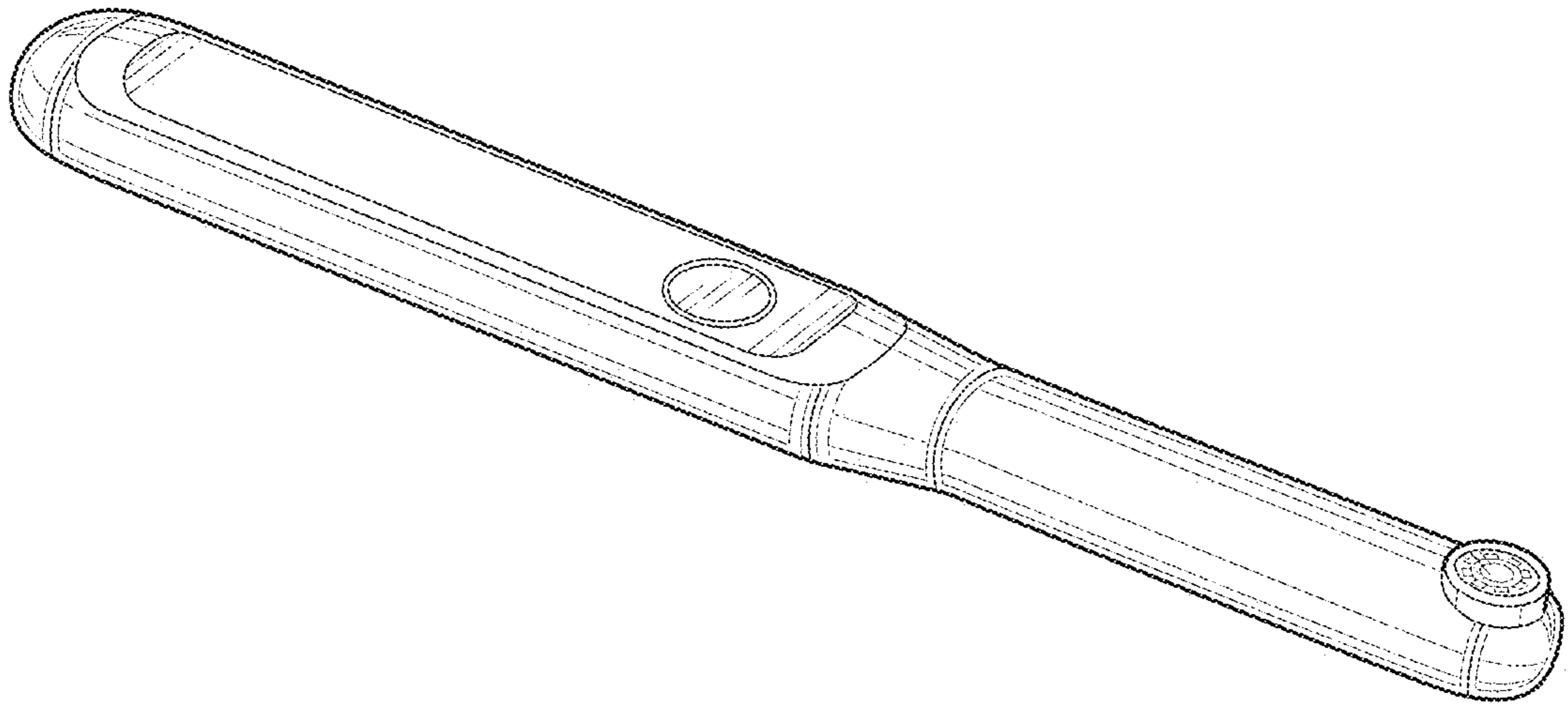


FIG. 1

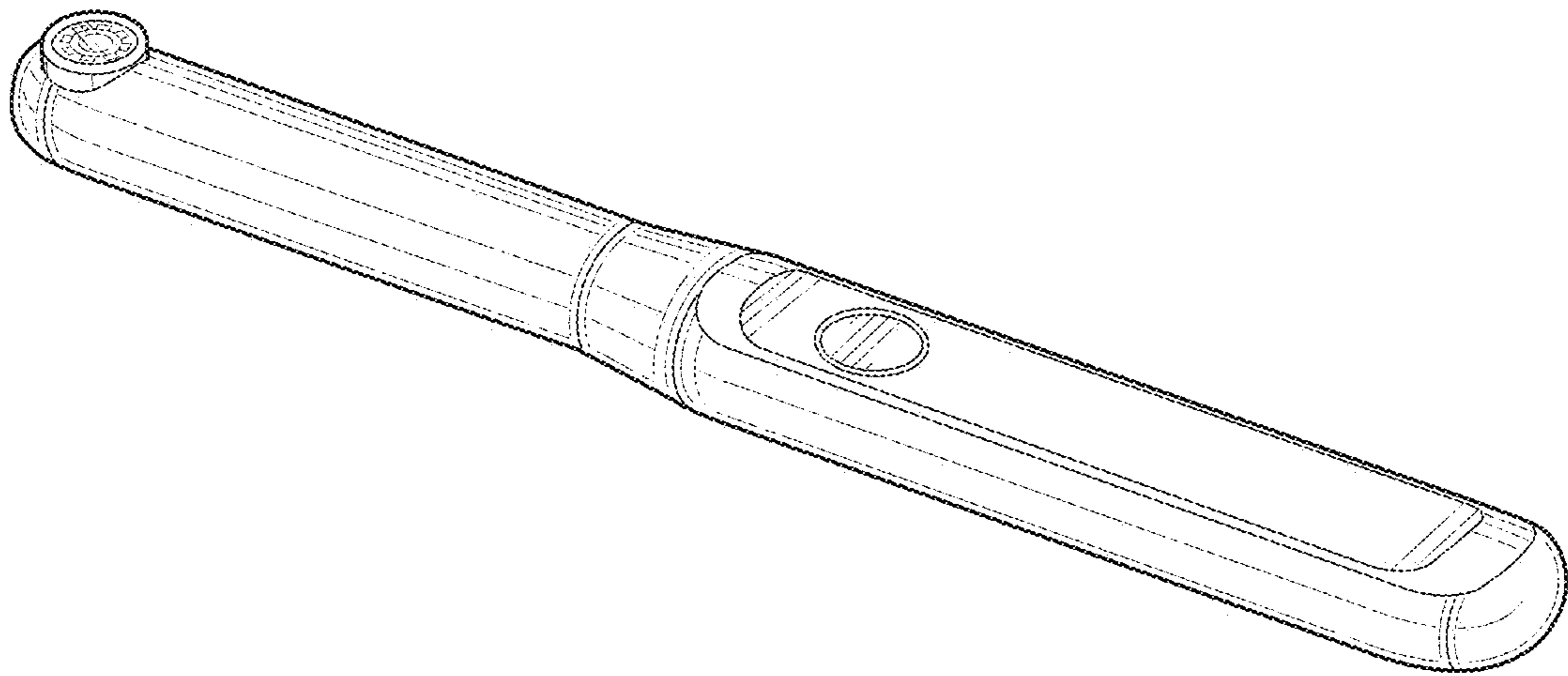


FIG. 2

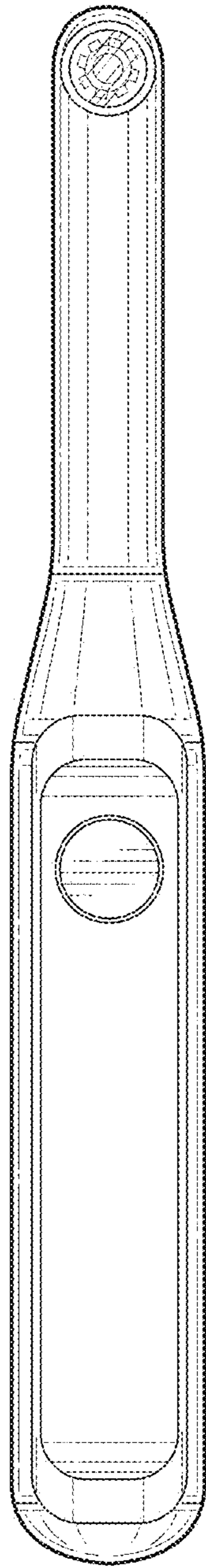


FIG. 3

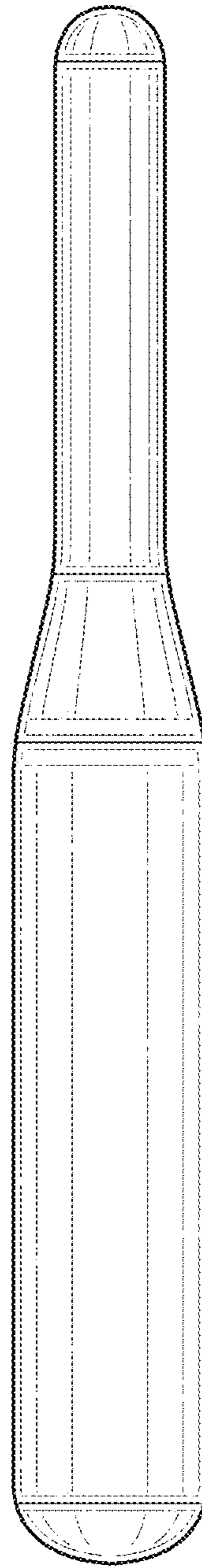


FIG. 4

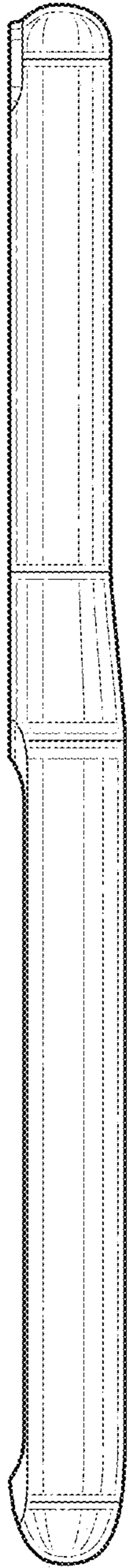


FIG. 5

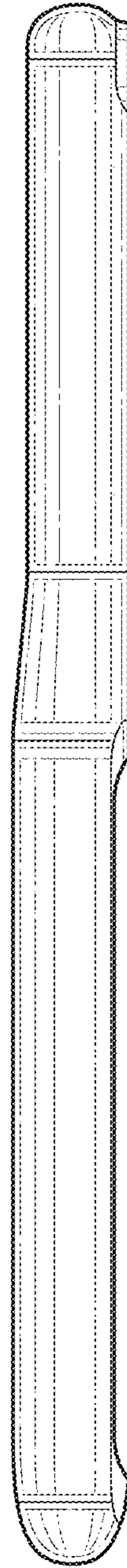


FIG. 6

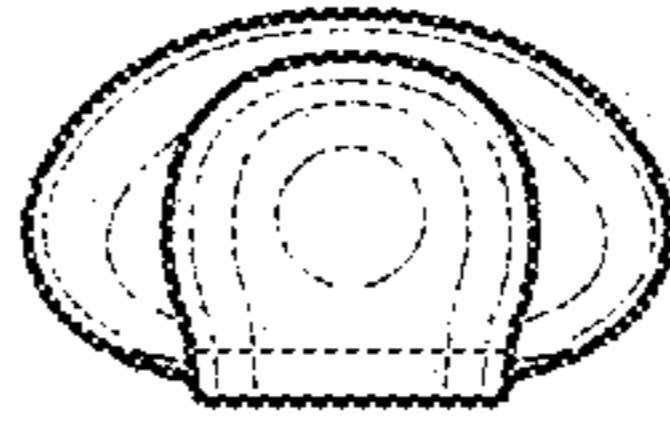


FIG. 7

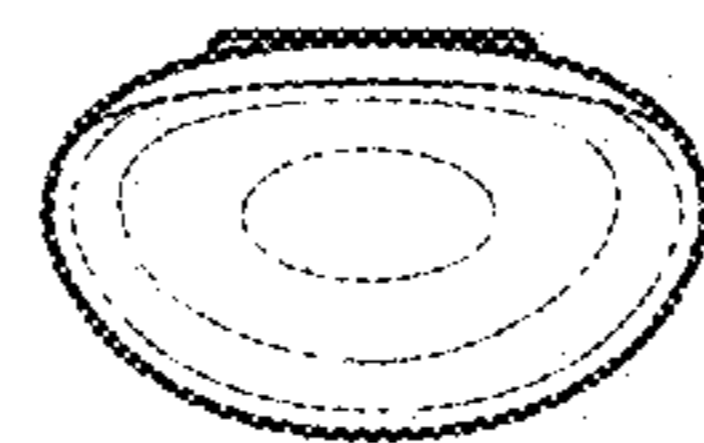


FIG. 8