



US00D908159S

(12) **United States Design Patent**  
**Sakai**

(10) **Patent No.:** **US D908,159 S**

(45) **Date of Patent:** **\*\* Jan. 19, 2021**

(54) **SURVEILLANCE CAMERA**

(71) Applicant: **FUJIFILM Corporation**, Tokyo (JP)

(72) Inventor: **Hiroyuki Sakai**, Saitama (JP)

(73) Assignee: **FUJIFILM Corporation**, Tokyo (JP)

(\*\*) Term: **15 Years**

(21) Appl. No.: **29/686,908**

(22) Filed: **Apr. 9, 2019**

(30) **Foreign Application Priority Data**

Oct. 15, 2018 (JP) ..... 2018-022556

(51) **LOC (13) Cl.** ..... **16-01**

(52) **U.S. Cl.**  
USPC ..... **D16/203**

(58) **Field of Classification Search**  
USPC ..... D16/200, 202–206, 218, 219, 242;  
348/143, 148, 151, 373–376; 396/419,  
396/427, 535, 539–541  
CPC ..... G03B 17/02; G03B 19/04; G03B 17/56;  
G03B 17/04; G03B 15/03; H04N 5/2251;  
H04N 5/2252; H04N 5/2253; H04N  
5/2254; H04N 7/181; H04N 7/183; H04N  
7/18;

(Continued)

(56) **References Cited**

**U.S. PATENT DOCUMENTS**

D366,271 S \* 1/1996 Hasegawa ..... D16/203  
D524,347 S \* 7/2006 Takahashi ..... D16/202

(Continued)

**FOREIGN PATENT DOCUMENTS**

JP 1533789 S 9/2015  
JP 1536453 S 11/2015

**OTHER PUBLICATIONS**

Office Action issued in JP 2018-022556; mailed by the Japanese Patent Office dated Mar. 14, 2019.

(Continued)

*Primary Examiner* — Ramzi S Almatrahi

(74) *Attorney, Agent, or Firm* — Studebaker & Brackett PC

(57) **CLAIM**

The ornamental design for a surveillance camera, as shown and described.

**DESCRIPTION**

The patent or application file contains at least one drawing executed in color. Copies of this patent or patent application publication with color drawing(s) will be provided by the Office upon request and payment of the necessary fee.

FIG. 1 is a top, front and right side perspective view of a first embodiment of a surveillance camera showing my new design;

FIG. 2 is a top, rear and right side perspective view thereof;

FIG. 3 is a front view thereof;

FIG. 4 is a rear view thereof;

FIG. 5 is a top plan view thereof;

FIG. 6 is a bottom plan view thereof;

FIG. 7 is a right side view thereof;

FIG. 8 is a left side view thereof;

FIG. 9 is a top, front and right side perspective view of a second embodiment of a surveillance camera showing my new design;

FIG. 10 is a top, rear and right side perspective view thereof;

FIG. 11 is a front view thereof;

FIG. 12 is a rear view thereof;

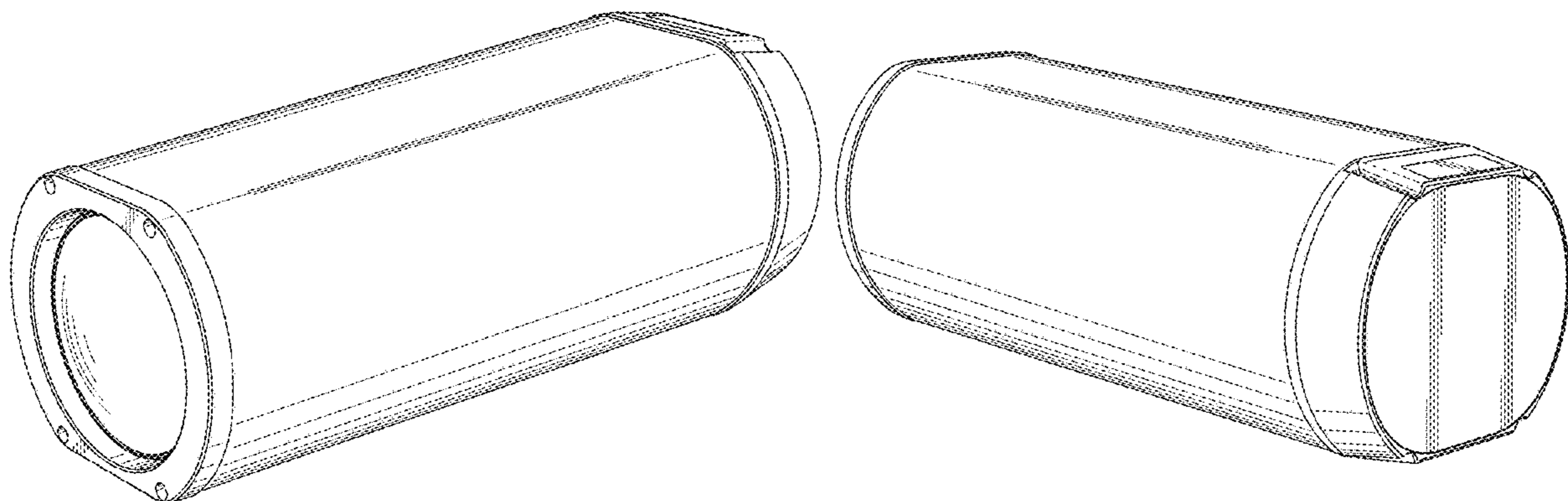
FIG. 13 is a top plan view thereof;

FIG. 14 is a bottom plan view thereof;

FIG. 15 is a right side view thereof; and,

FIG. 16 is a left side view thereof.

**1 Claim, 10 Drawing Sheets**  
**(2 of 10 Drawing Sheet(s) Filed in Color)**



(58) **Field of Classification Search**

CPC ..... G08B 13/1963; G08B 13/19619; G08B 13/19632; F16M 11/04; F16M 13/00  
See application file for complete search history.

(56) **References Cited**

U.S. PATENT DOCUMENTS

D540,360 S *	4/2007	Yamakawa .....	D16/203
D613,784 S *	4/2010	Wang .....	D16/203
D633,543 S *	3/2011	Park .....	D16/203
D732,100 S *	6/2015	Jeong .....	D16/203
D732,597 S *	6/2015	Celler .....	D16/203
D739,888 S *	9/2015	Liang .....	D16/203
D742,953 S *	11/2015	Li .....	D16/202
D792,919 S *	7/2017	Ryu .....	D16/218
D809,046 S *	1/2018	Hatcher .....	D16/202
D823,922 S	7/2018	Hikima et al.	
D833,502 S *	11/2018	Asakawa .....	D16/203
D874,534 S *	2/2020	Matsuo .....	D16/203

OTHER PUBLICATIONS

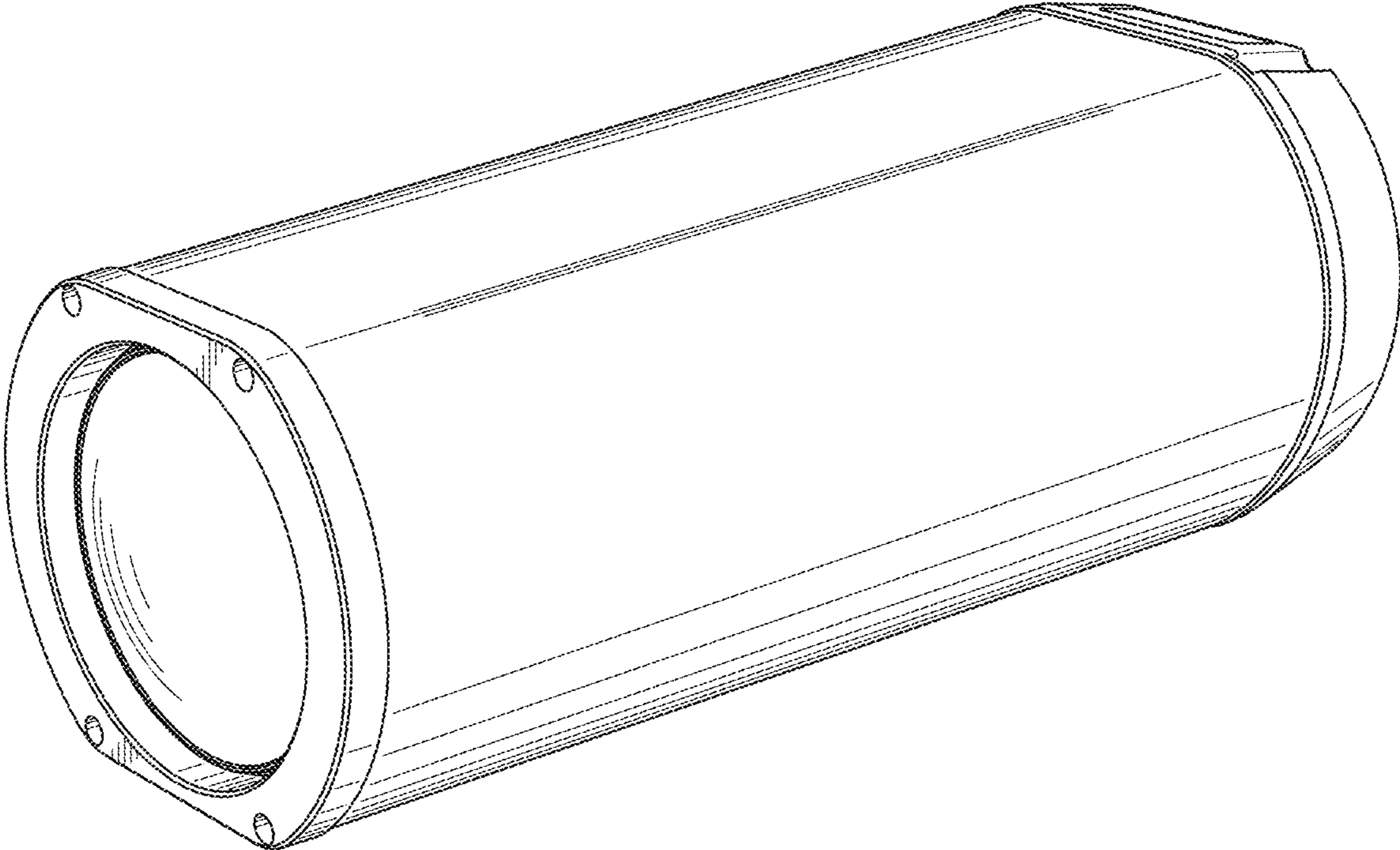
Office Action issued in JP 2019-000066; mailed by the Japanese Patent Office dated Mar. 14, 2019.

Accepted by National Center for Industrial Property Information and Training (Checked on Mar. 20, 2015); "Mitsubishi Digital CCTV system Surveillance Camera System MELOOK 3" published by Mitsubishi Electric Corporation; Recorded on p. 4; Product Name: Fixed Camera; Design of a surveillance camera (Japan Patent Office, Design Division Official Gazette No. HC27005030). Accepted by Japan Patent Office, Design Section (Checked on Jul. 28, 2006); "CCD digital camera product line-up" published by Flovel Co., Ltd.; Recorded on p. A-1; Product Name: ADP-240; Design of video camera (Japan Patent Office, Design Division Official Gazette No. HC18029651).

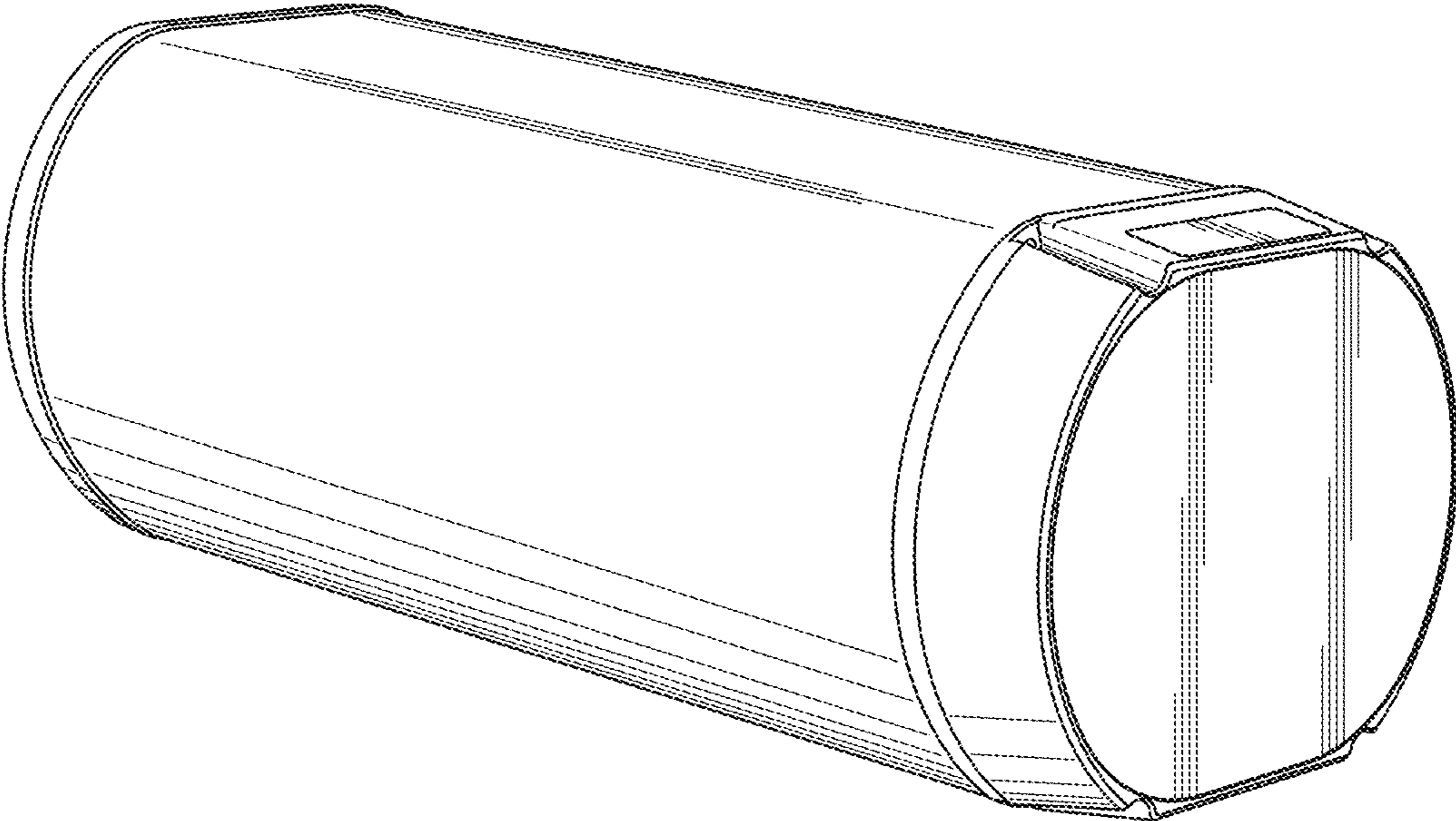
Accepted by Japan Patent Office, Design Section (Checked on Mar. 31, 2005); "A&S Installer Security engineering Jan. 2005" published by New Era International Inc.; Recorded on p. 53; Product Name: EAZ3500B; Design of surveillance TV camera (Japan Patent Office, Design Division Official Gazette No. HD17006896).

\* cited by examiner

**FIG. 1**

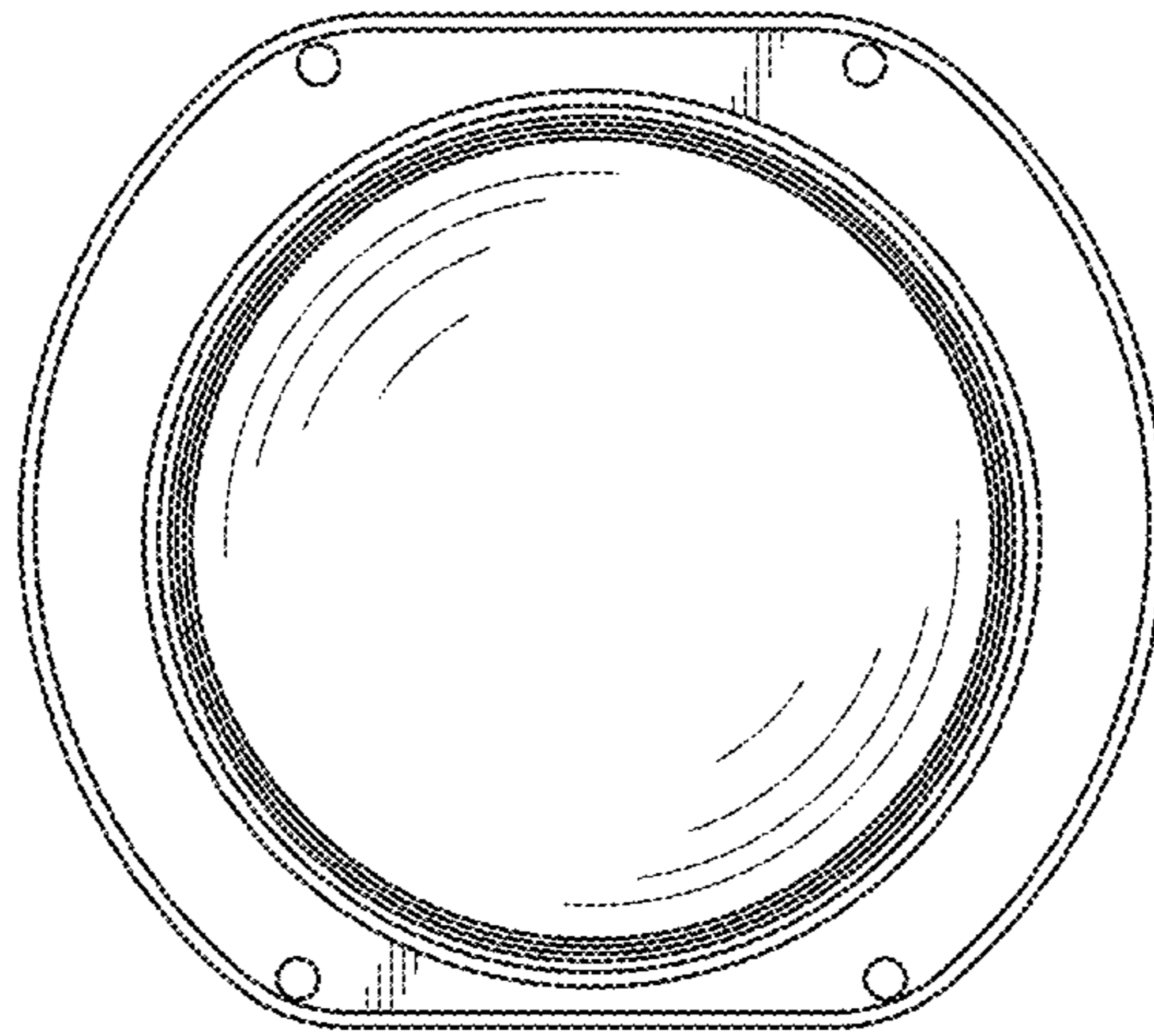


**FIG. 2**

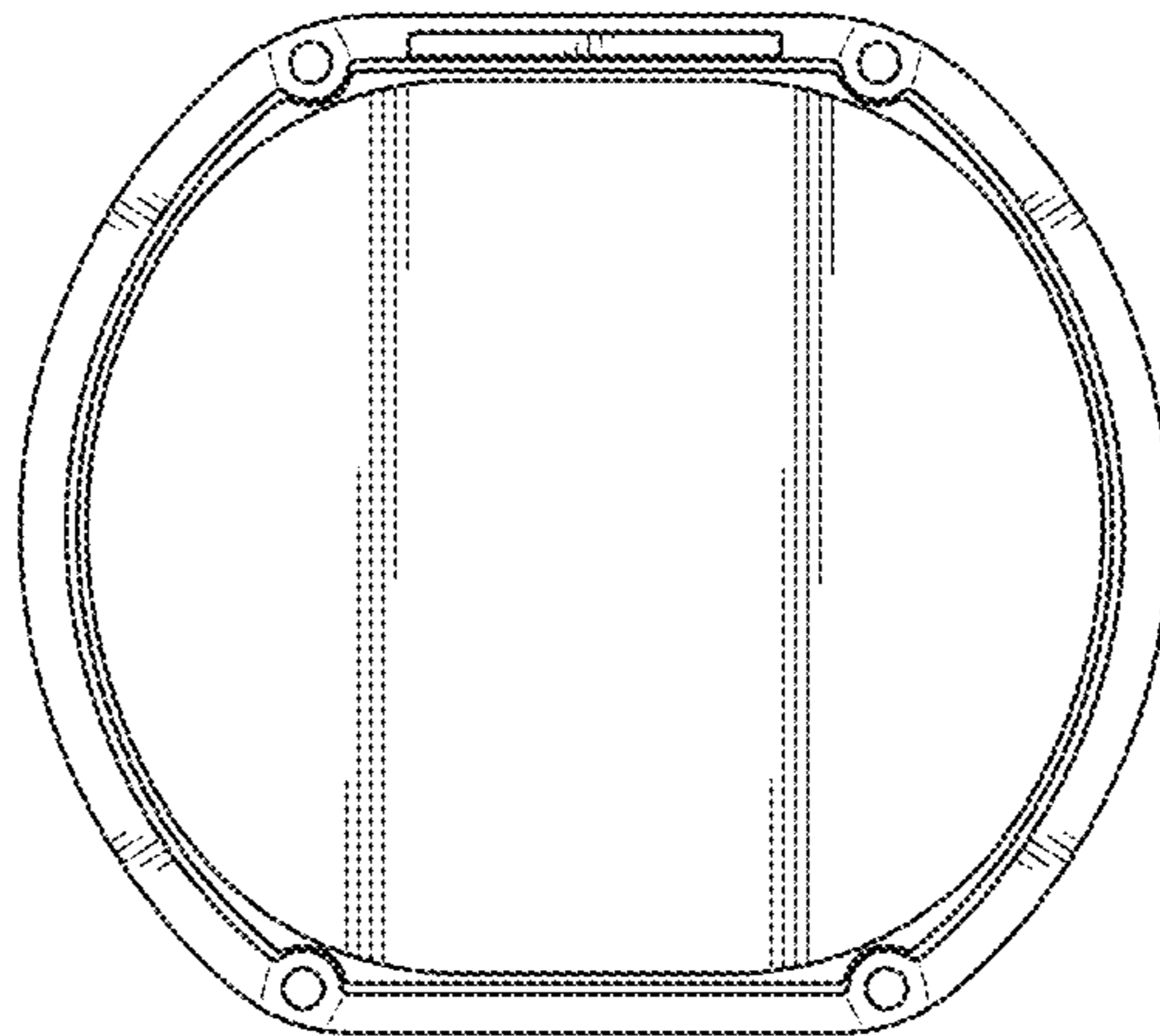




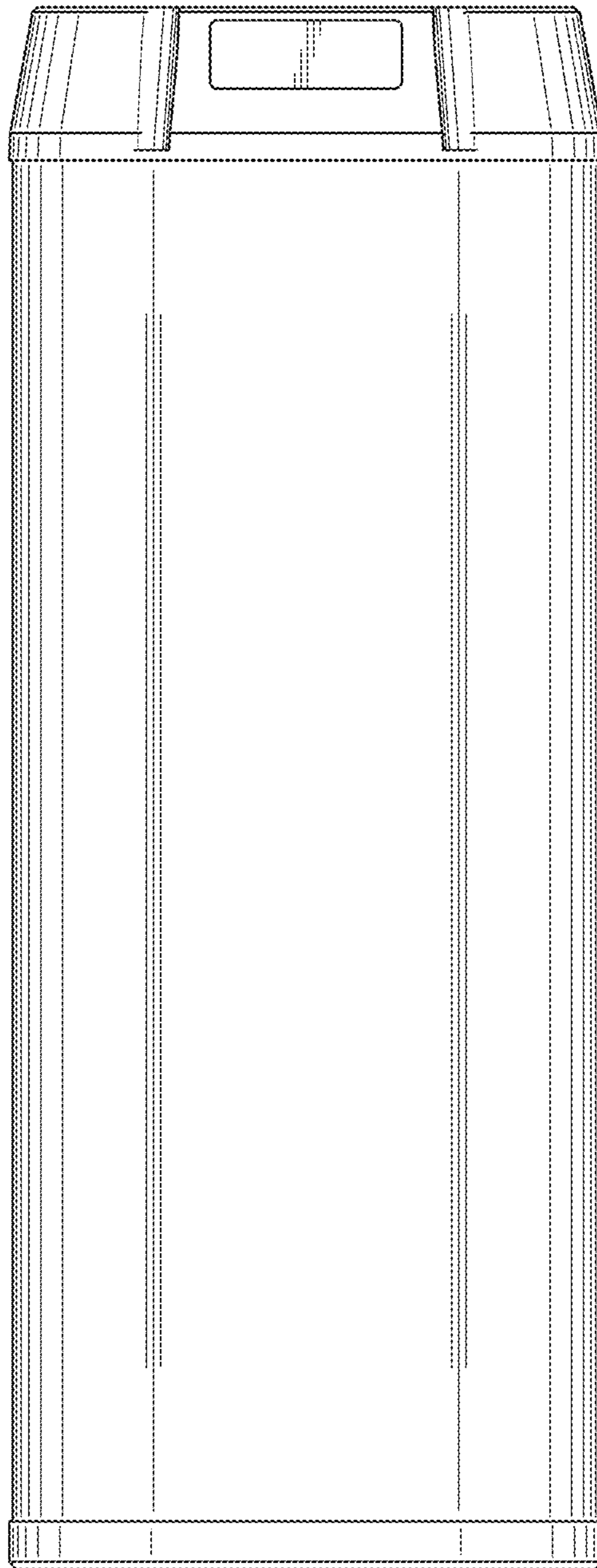
**FIG. 3**



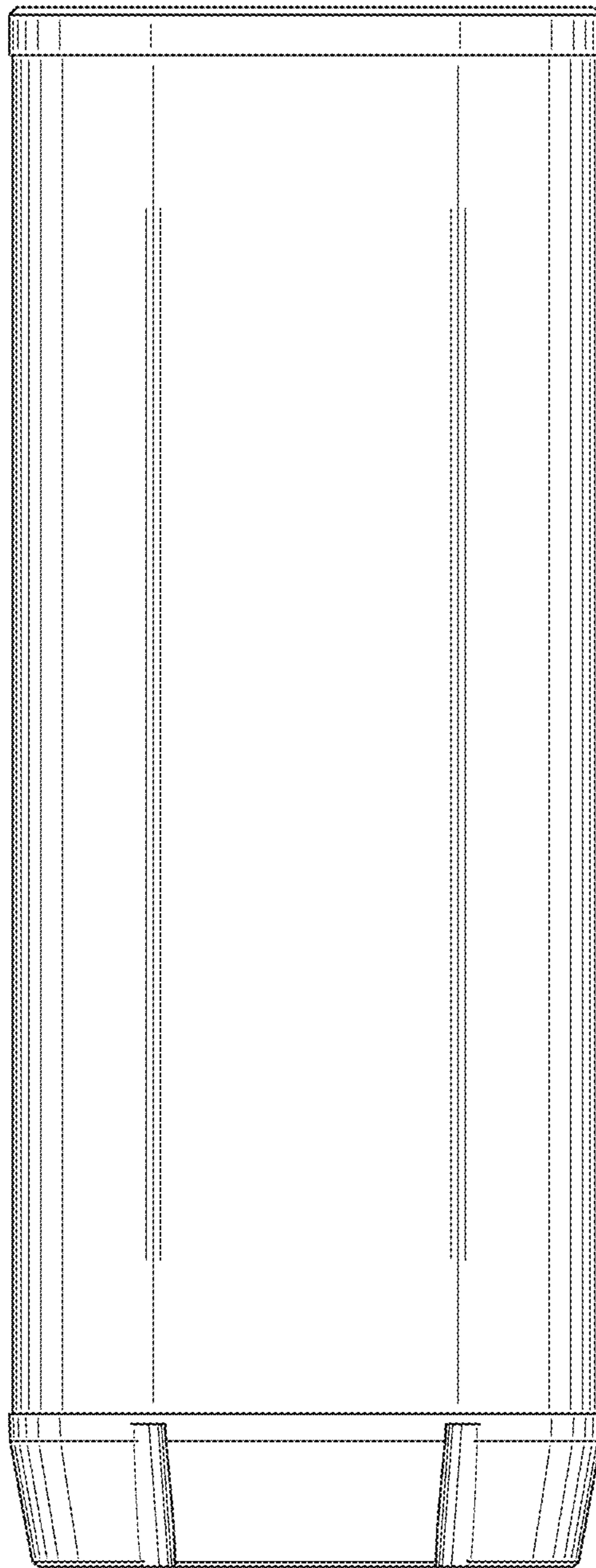
**FIG. 4**



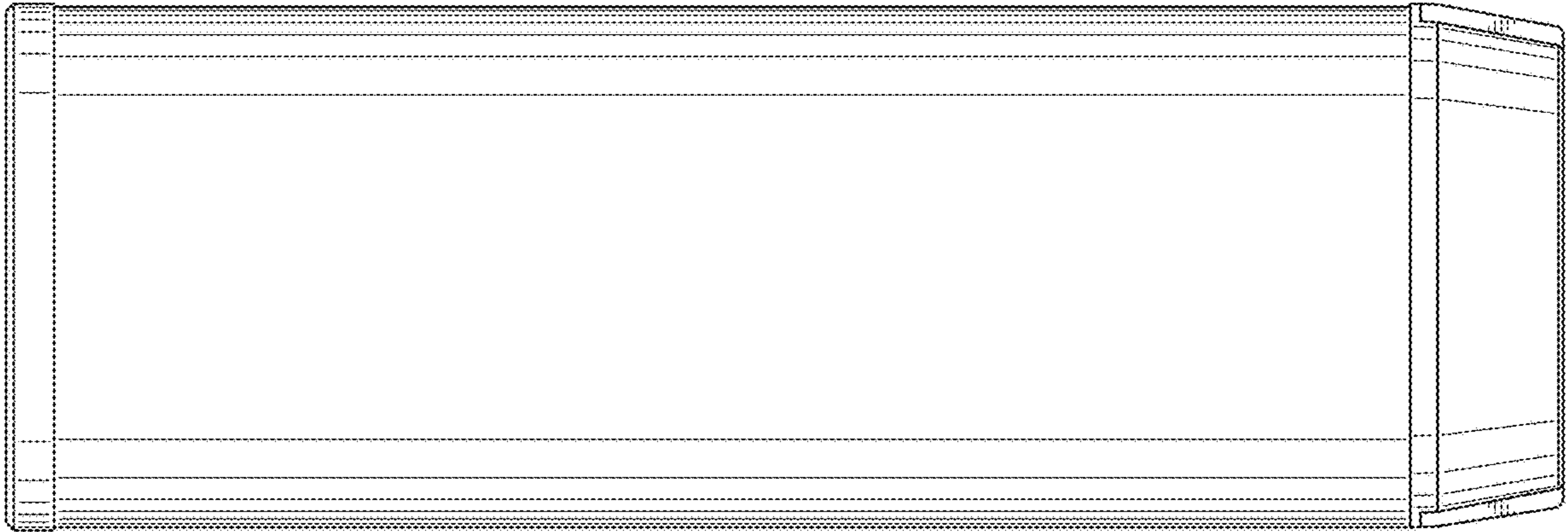
**FIG. 5**



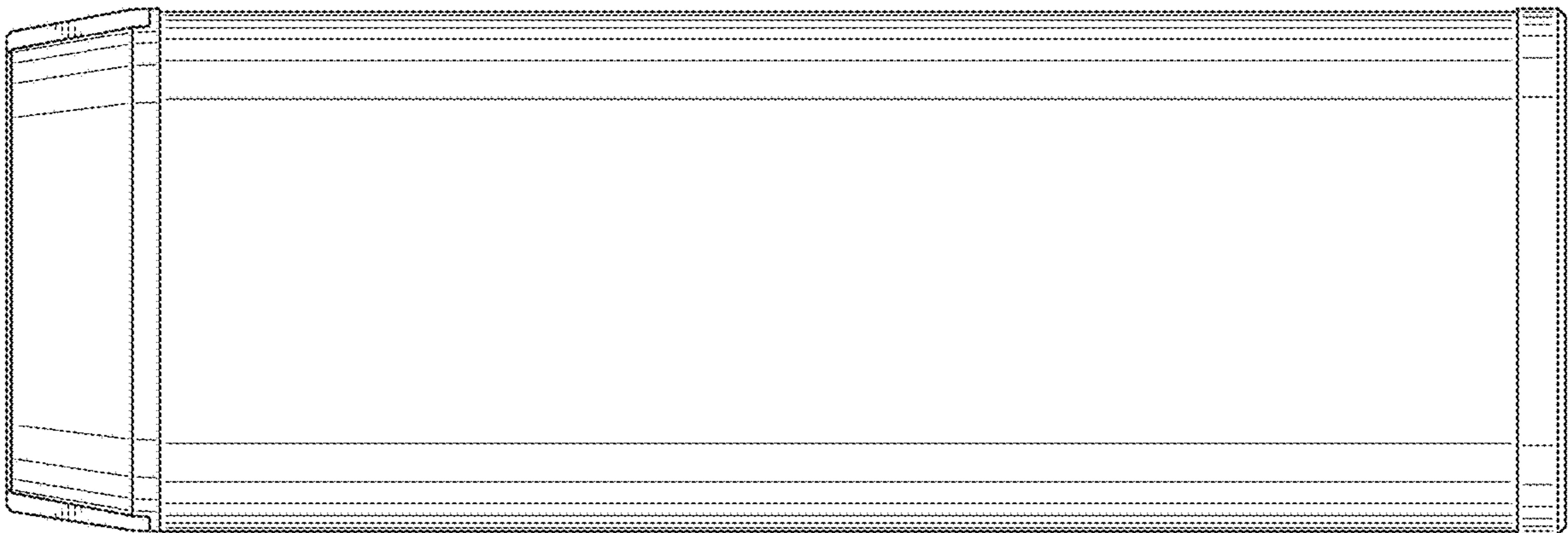
**FIG. 6**



**FIG. 7**

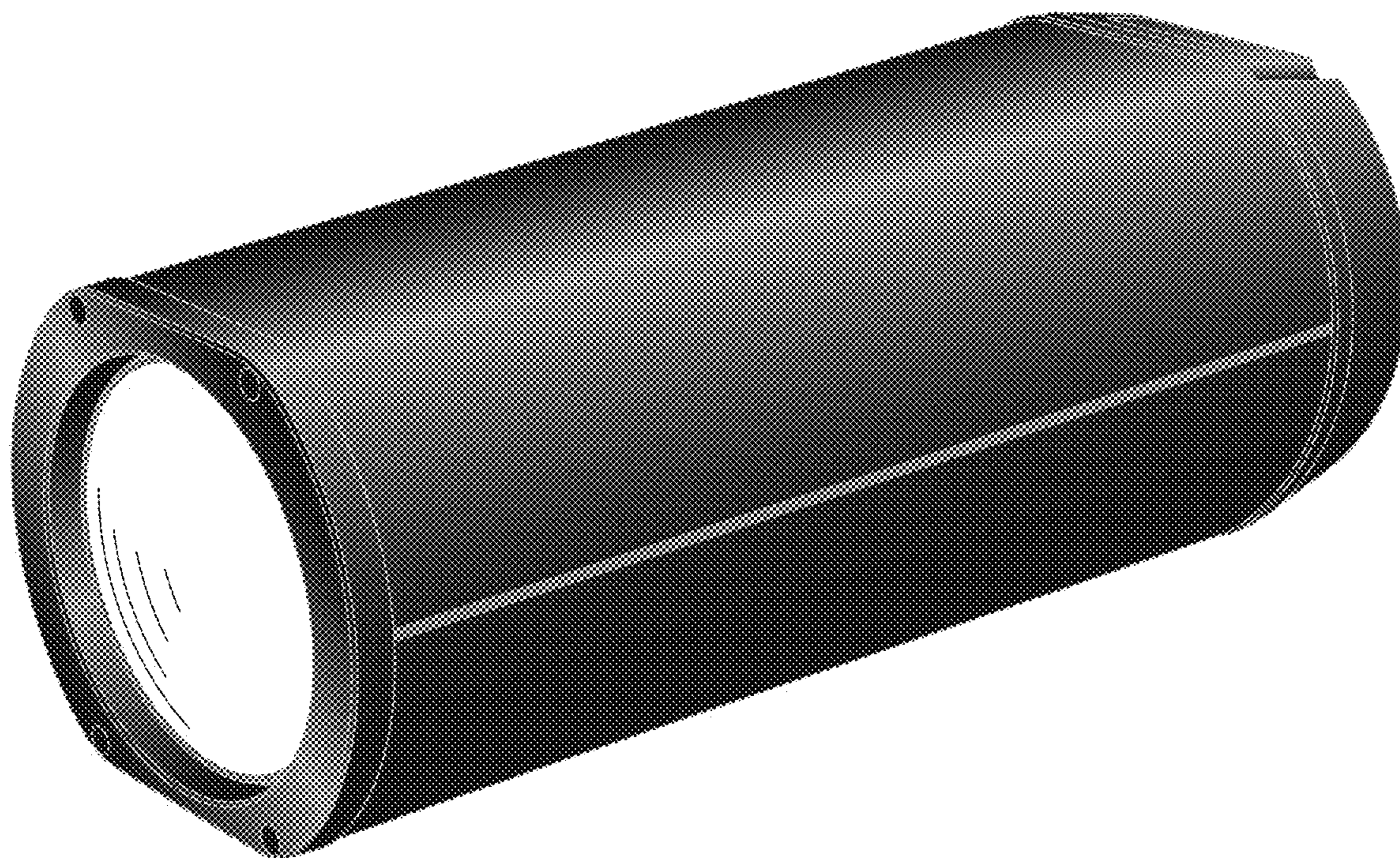


**FIG. 8**

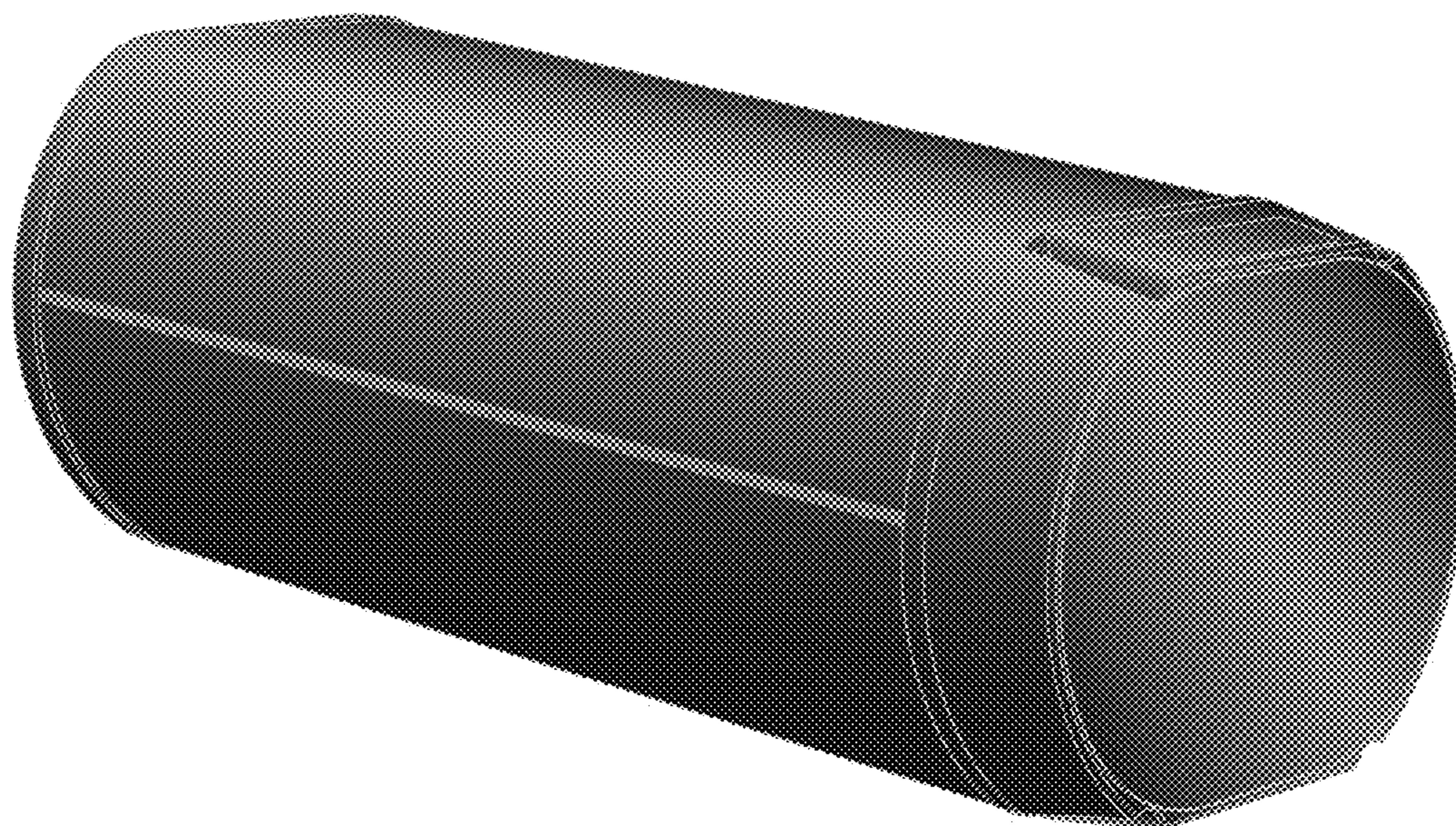




**FIG. 9**

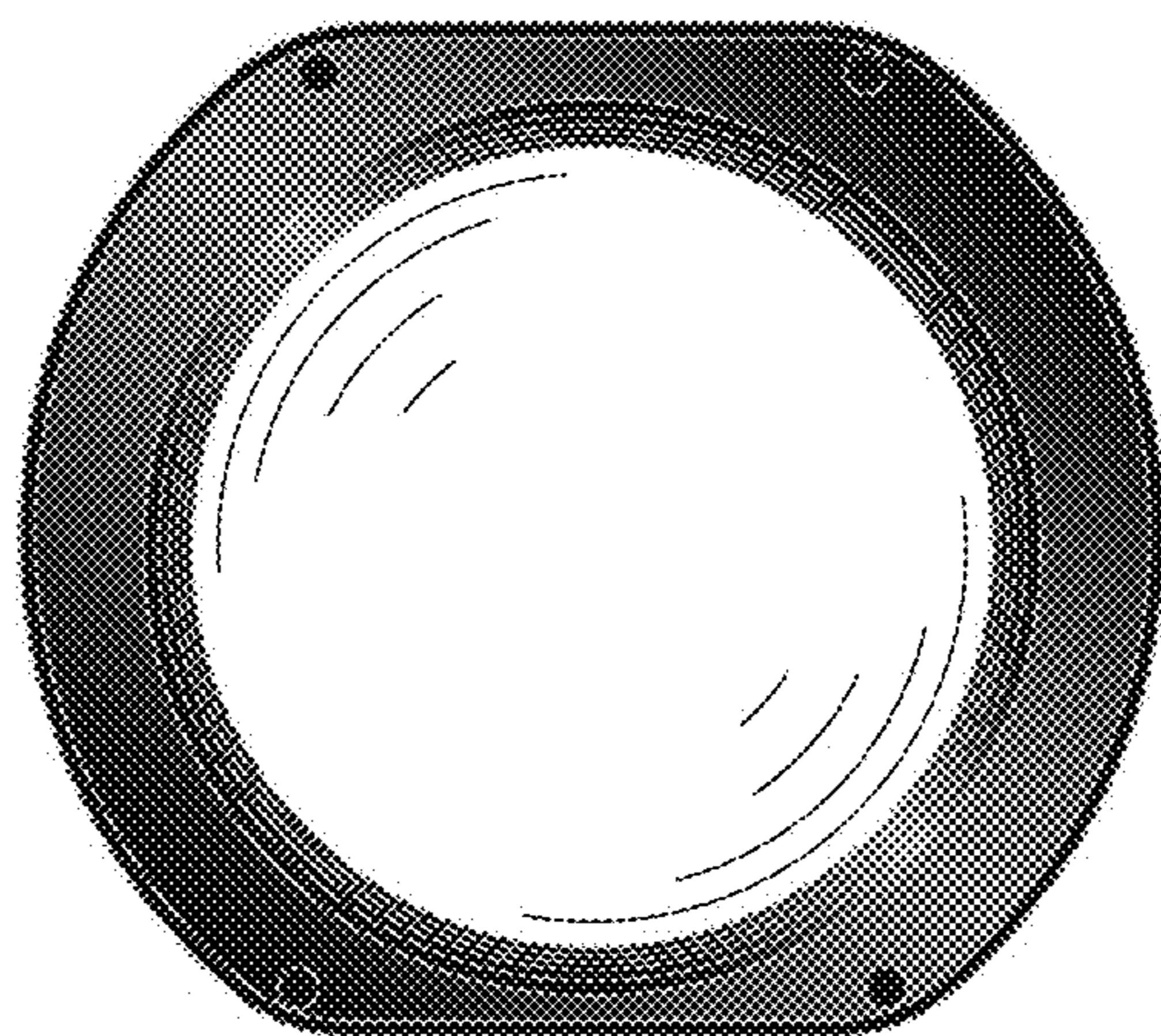


**FIG. 10**

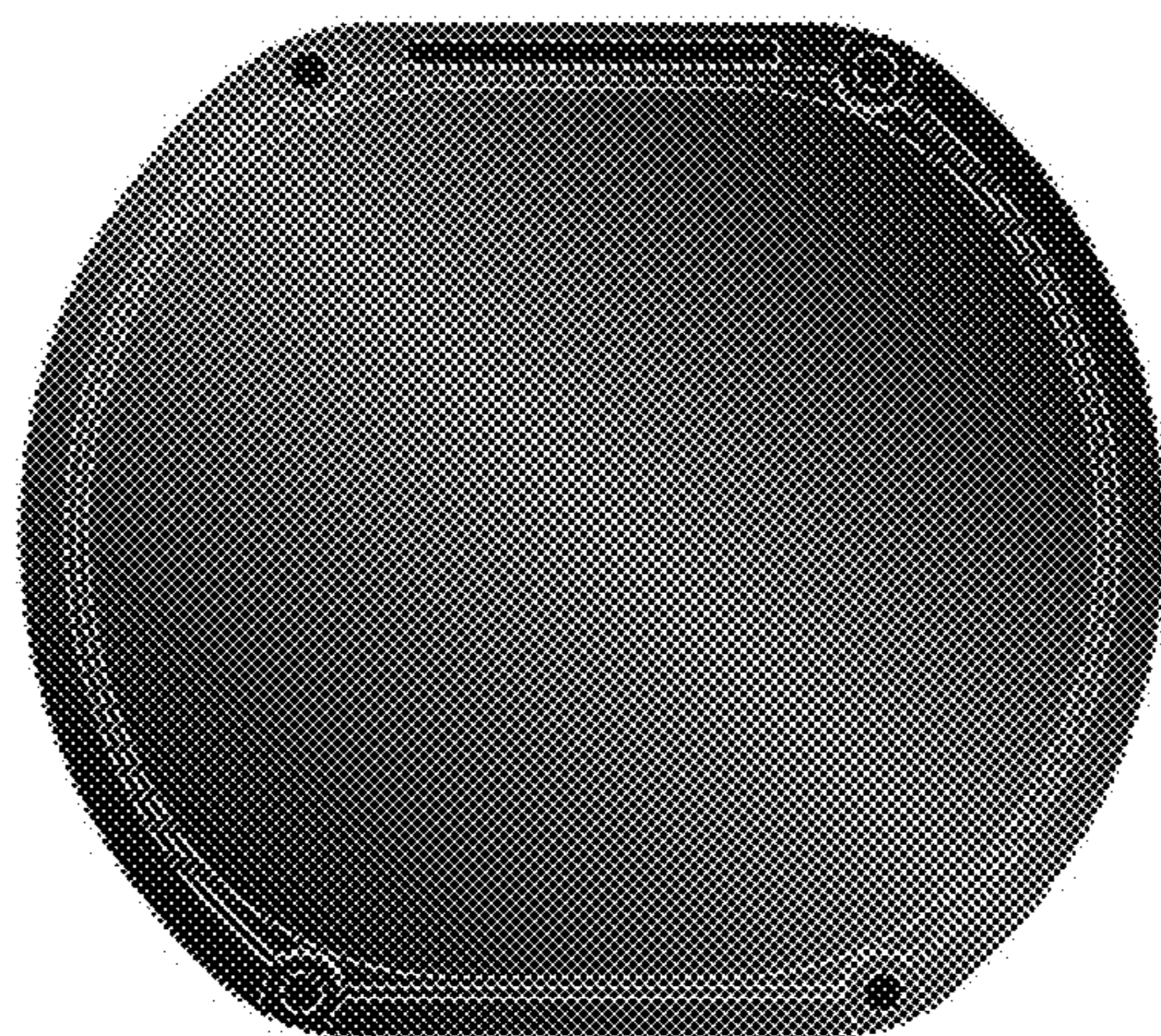




**FIG. 11**

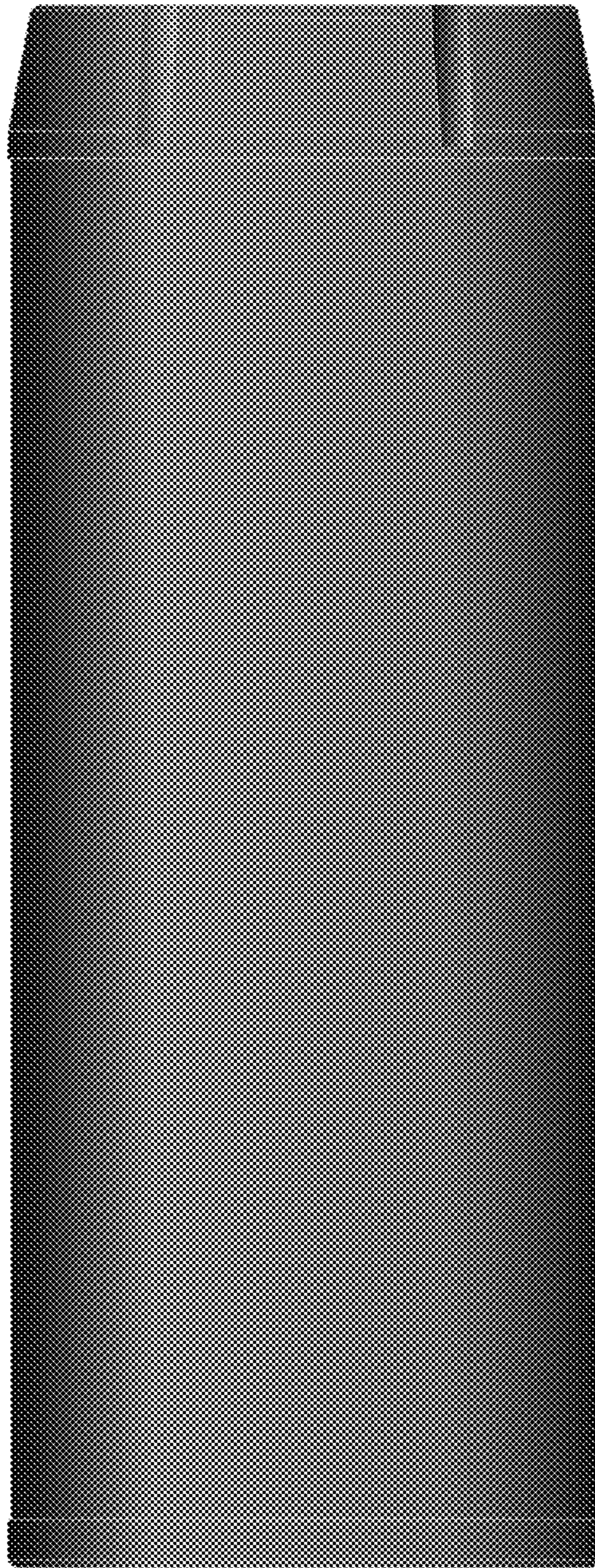


**FIG. 12**



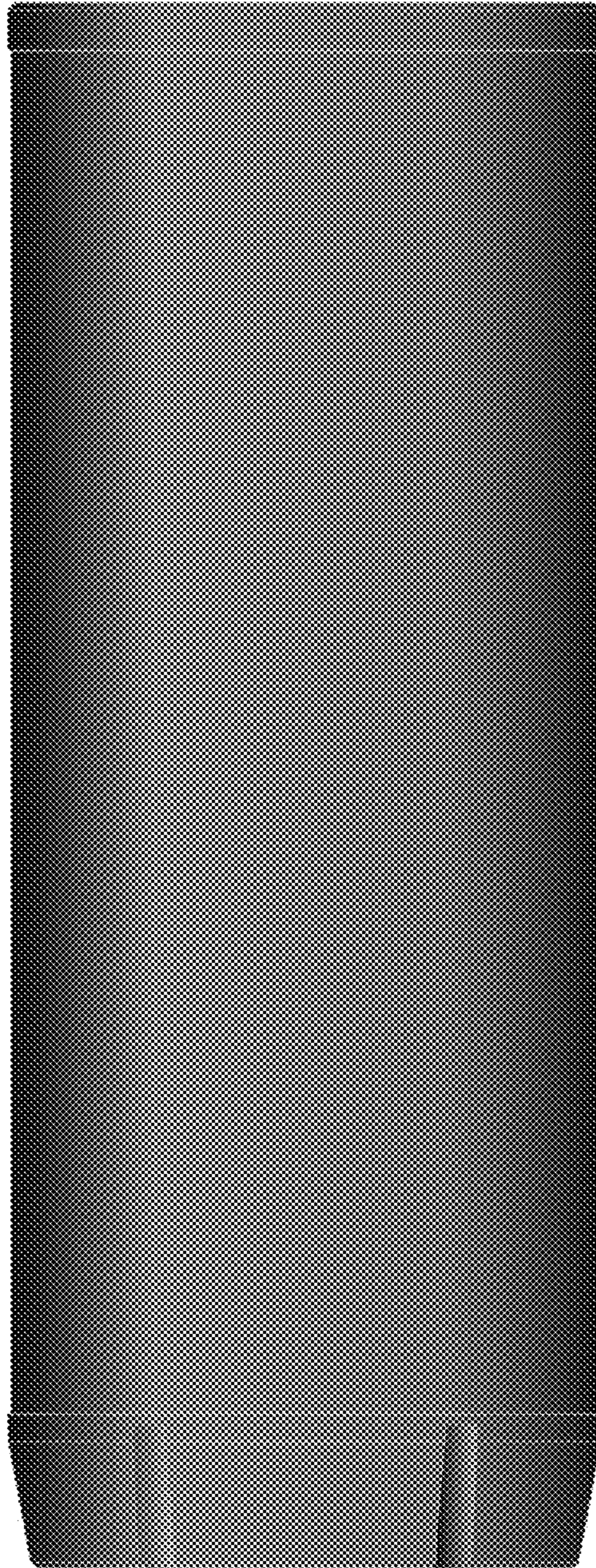


**FIG. 13**



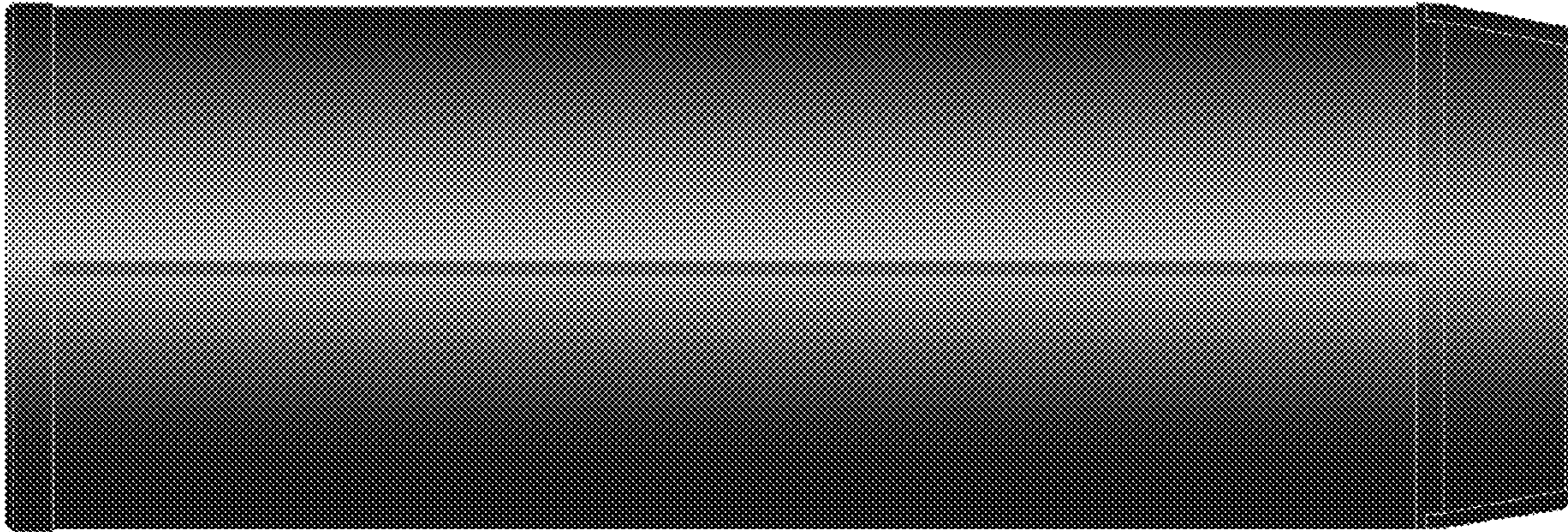


**FIG. 14**





**FIG. 15**



**FIG. 16**

