



US00D908157S

(12) **United States Design Patent**
Sun

(10) **Patent No.:** **US D908,157 S**
(45) **Date of Patent:** **** Jan. 19, 2021**

(54) **DIGITAL ENDOSCOPE CAMERA**
(71) Applicant: **Yingjie Sun**, Irvine, CA (US)
(72) Inventor: **Yingjie Sun**, Irvine, CA (US)
(**) Term: **15 Years**
(21) Appl. No.: **29/672,541**
(22) Filed: **Dec. 6, 2018**
(51) **LOC (13) Cl.** **16-01**
(52) **U.S. Cl.**
USPC **D16/202**; D24/138; D10/78; D14/138 G
(58) **Field of Classification Search**
USPC D3/210, 215, 207-209; D8/356, 357;
D10/31, 104.1, 50, 65, 74, 70, 118.2, 66;
D16/200-220, 131, 132, 237, 242, 239,
D16/250, 235, 130, 134, 136, 238;
D14/417, 138 C, 240, 248, 203.1, 203.3,
D14/203.7, 218, 207, 440, 402, 454, 407,
D14/408, 480.3, 480.1, 483; D24/138
CPC . G02B 7/02; G02B 7/021; G02B 7/04; G02B
7/14; G02B 7/003; G02B 7/008; G02B
13/06; G03B 17/00; G03B 17/02; G03B
17/56; G03B 17/04; G03B 17/14; G03B
17/08; G03B 15/03; G03B 15/06; H04N
1/00981; H04N 5/2251; H04N 5/2252;
H04N 5/2253; H04N 5/2254; H04N
5/23238; H04N 7/00; H04N 13/239;
H04N 2101/00; F16M 13/00
See application file for complete search history.

(56) **References Cited**

U.S. PATENT DOCUMENTS

D380,694 S * 7/1997 Seki D10/104.1
D503,946 S * 4/2005 Chao D16/202
D523,457 S * 6/2006 Tan D16/202
D539,777 S * 4/2007 Pena Angarita D14/138 R
D545,338 S * 6/2007 Lee D16/202
D552,646 S * 10/2007 Bai D16/200
D552,647 S * 10/2007 Bai D16/200

D560,911 S * 2/2008 Hackbart D3/201
D561,807 S * 2/2008 Ogura D16/202
D563,806 S * 3/2008 Jeon D10/65
D579,798 S * 11/2008 Kachlick D10/50
(Continued)

FOREIGN PATENT DOCUMENTS

CN 303030487 * 12/2014
CN 303030574 * 12/2014
(Continued)

OTHER PUBLICATIONS

Handheld 8Mm Digital Industrial Endoscope, no date available [online], [retrieved Mar. 14, 2020], Available from Internet, URL: <https://www.amazon.com/Industrial-Endoscope-Borescope-Inspection-Waterproof/dp/B07XF4QDV1>.
(Continued)

Primary Examiner — Dana K Weiland
Assistant Examiner — Mary Claire Ramirez
(74) *Attorney, Agent, or Firm* — Dunlap Bennett & Ludwig, PLLC

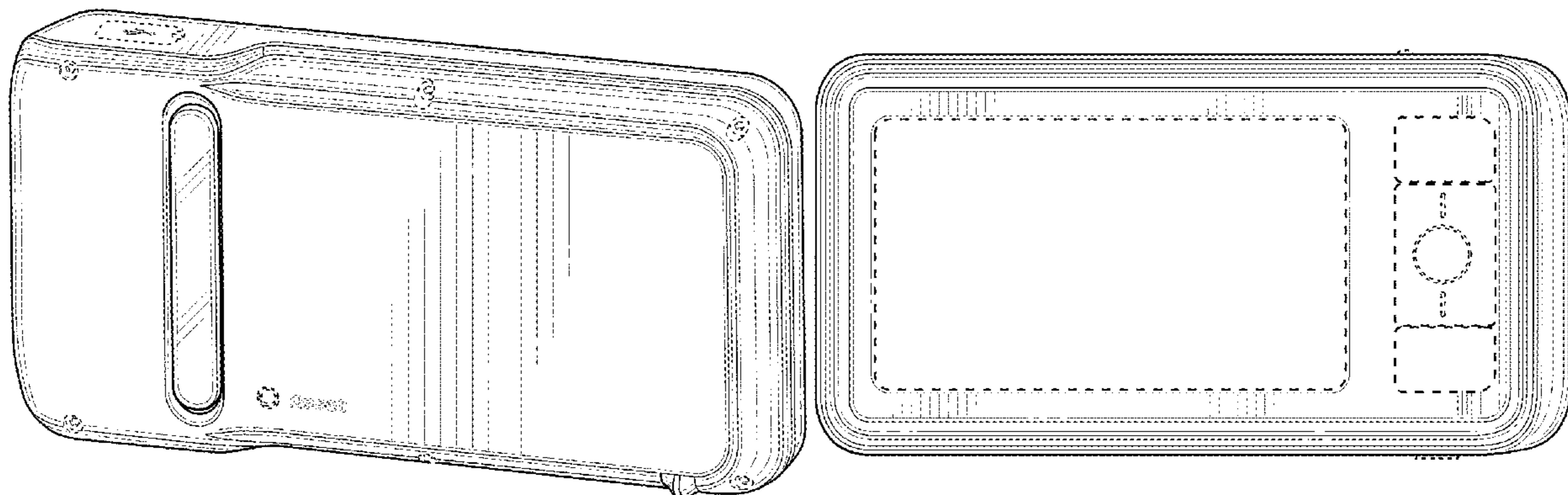
(57) **CLAIM**

The ornamental design for a digital endoscope camera, as shown and described.

DESCRIPTION

FIG. 1 is a perspective view of a digital endoscope camera, showing my new design;
FIG. 2 is a front elevation view thereof;
FIG. 3 is a rear elevation view thereof;
FIG. 4 is a right elevation view thereof;
FIG. 5 is a left elevation view thereof;
FIG. 6 is a top plan view thereof; and,
FIG. 7 is a bottom plan view thereof.
The broken lines depict portions of the digital endoscope camera that form no part of the claimed design.

1 Claim, 3 Drawing Sheets



(56)

References Cited

U.S. PATENT DOCUMENTS

D584,646 S * 1/2009 Sanguinetti D10/65
 D606,432 S * 12/2009 Winterhalter D10/104.1
 D608,332 S * 1/2010 Huang D14/138 G
 D611,362 S * 3/2010 Hansen D10/65
 D640,149 S * 6/2011 Lenz D10/65
 D645,016 S * 9/2011 Chung D14/138 AD
 D649,143 S * 11/2011 Jones, III D14/250
 D653,233 S * 1/2012 Hofer D14/203.3
 D664,177 S * 7/2012 Oikawa D16/202
 D675,176 S * 1/2013 Aarras D14/138 G
 D675,542 S * 2/2013 Breuer D10/50
 D681,712 S * 5/2013 Kim D16/202
 D688,220 S * 8/2013 Kim D14/138 G
 D709,054 S * 7/2014 McConnell D14/243
 D709,937 S * 7/2014 Goldenberg D16/135
 D711,342 S * 8/2014 Wennerstrom D14/138 G
 D711,956 S * 8/2014 Adams D16/208
 D719,992 S * 12/2014 Peng D16/202
 D723,013 S * 2/2015 Lee D14/248
 D732,598 S * 6/2015 Adams D16/208
 D734,803 S * 7/2015 Hallgren D16/202
 D736,752 S * 8/2015 Lee D14/248
 D793,386 S * 8/2017 Park D14/341
 D797,091 S * 9/2017 To D14/250
 D836,074 S * 12/2018 Sun D14/125

D844,570 S * 4/2019 Kornacki D13/162
 D856,291 S * 8/2019 Sun D14/125
 D875,575 S * 2/2020 Fagnot D10/70
 D885,215 S * 5/2020 Dewey D10/78
 2014/0022364 A1* 1/2014 Rodriguez G03B 17/04
 348/63

FOREIGN PATENT DOCUMENTS

CN 304375627 * 11/2017
 CN 304594223 * 11/2017
 EM 005818077-0001 * 11/2018
 EM 005818077-0004 * 11/2018

OTHER PUBLICATIONS

Digital Industrial Inspection Camera Borescope, published 2020 [online], [retrieved Mar. 14, 2020], Available from Internet, URL: https://www.wantitall.co.za/industrial/digital-industrial-inspection-camera-borescope-with-4-led-lights-4-3-endoscope-camera-with-zoom-2-5-_b07g847hyj.
 Industrial Endoscope Skybasic 1080P HD Digital Borescope Camera, published 2020 [online], [retrieved Mar. 14, 2020], Available from Internet, URL: <https://usa.testzon.com/product/134322>.

* cited by examiner

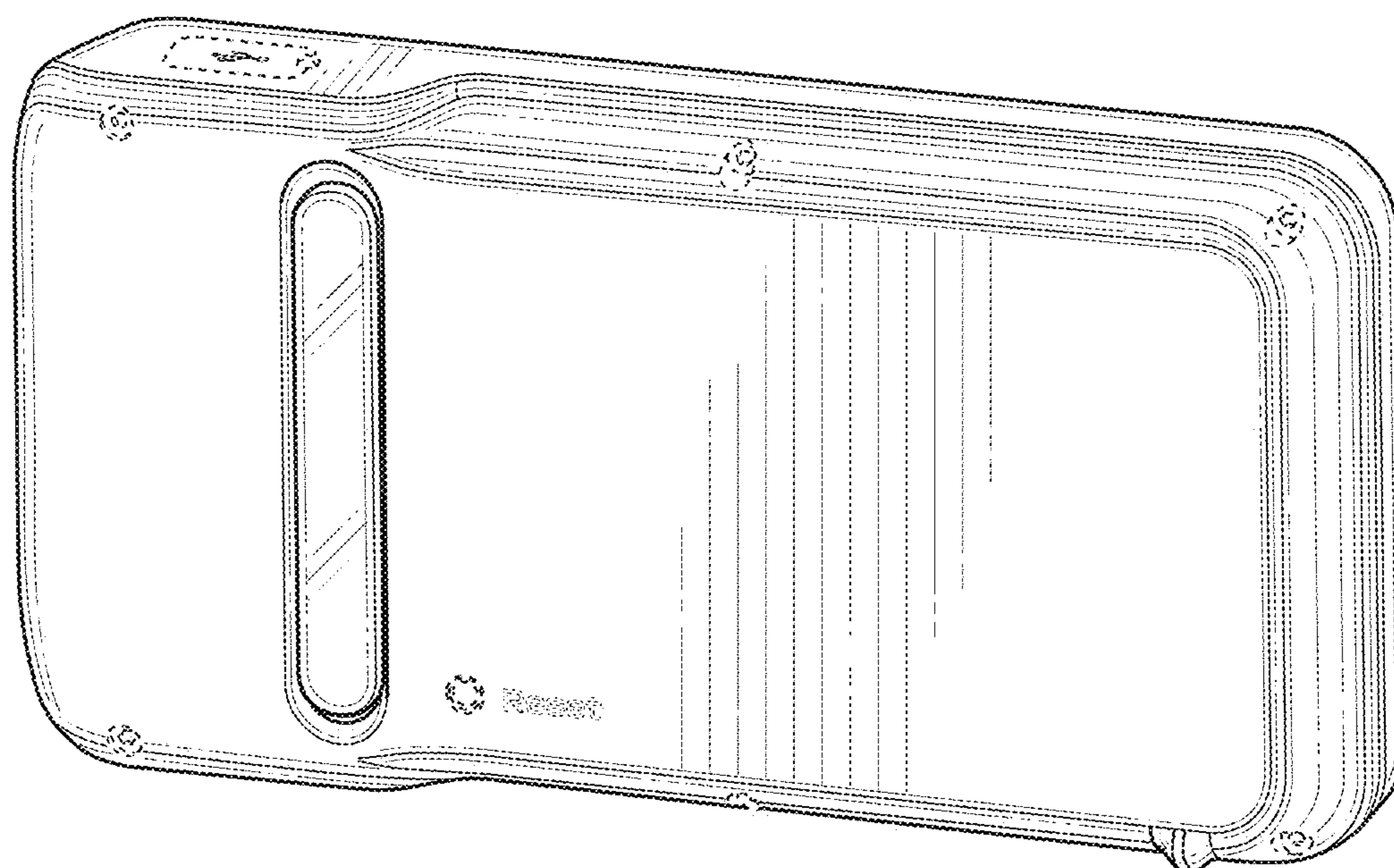


FIG. 1

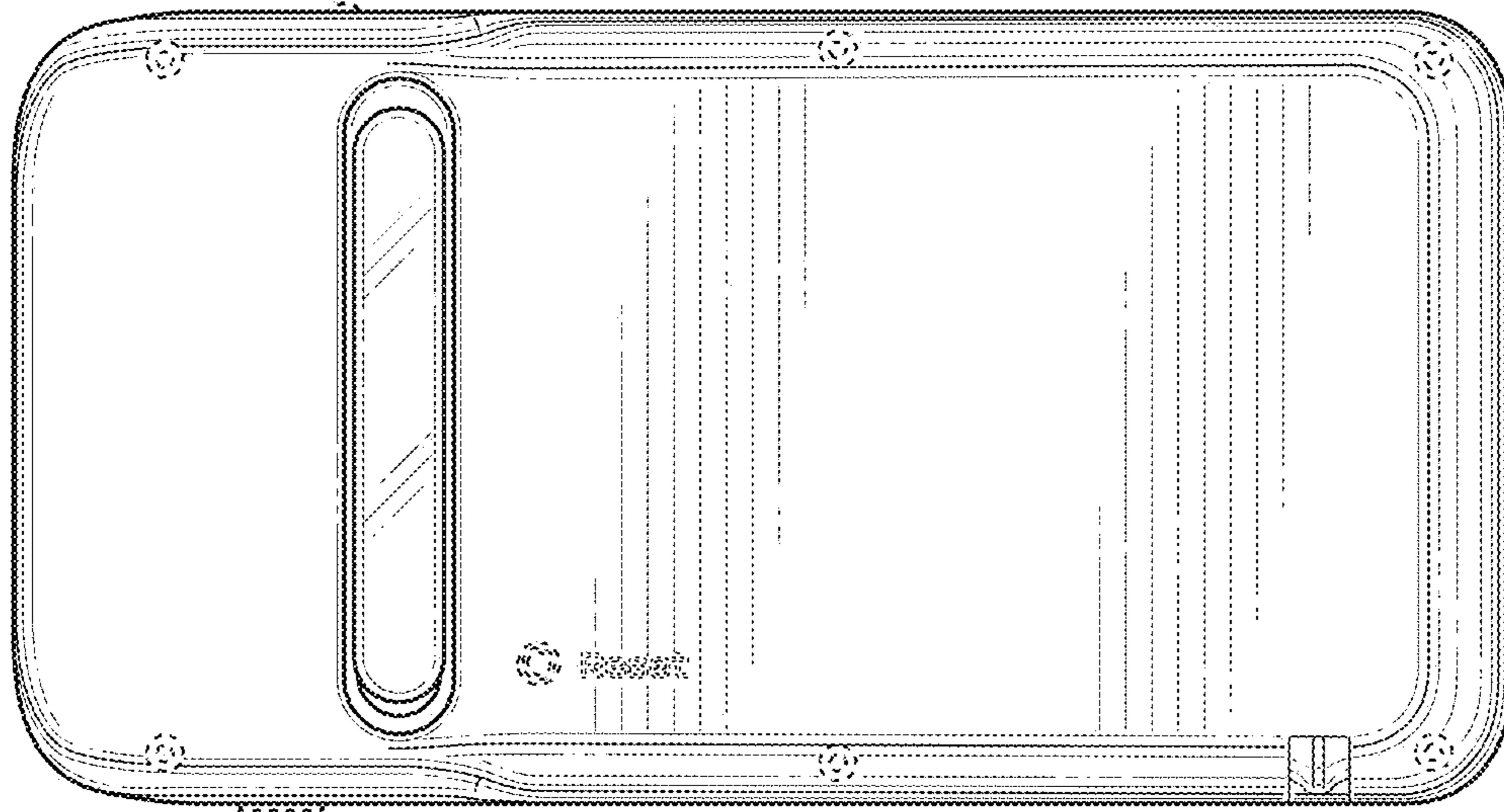


FIG. 2

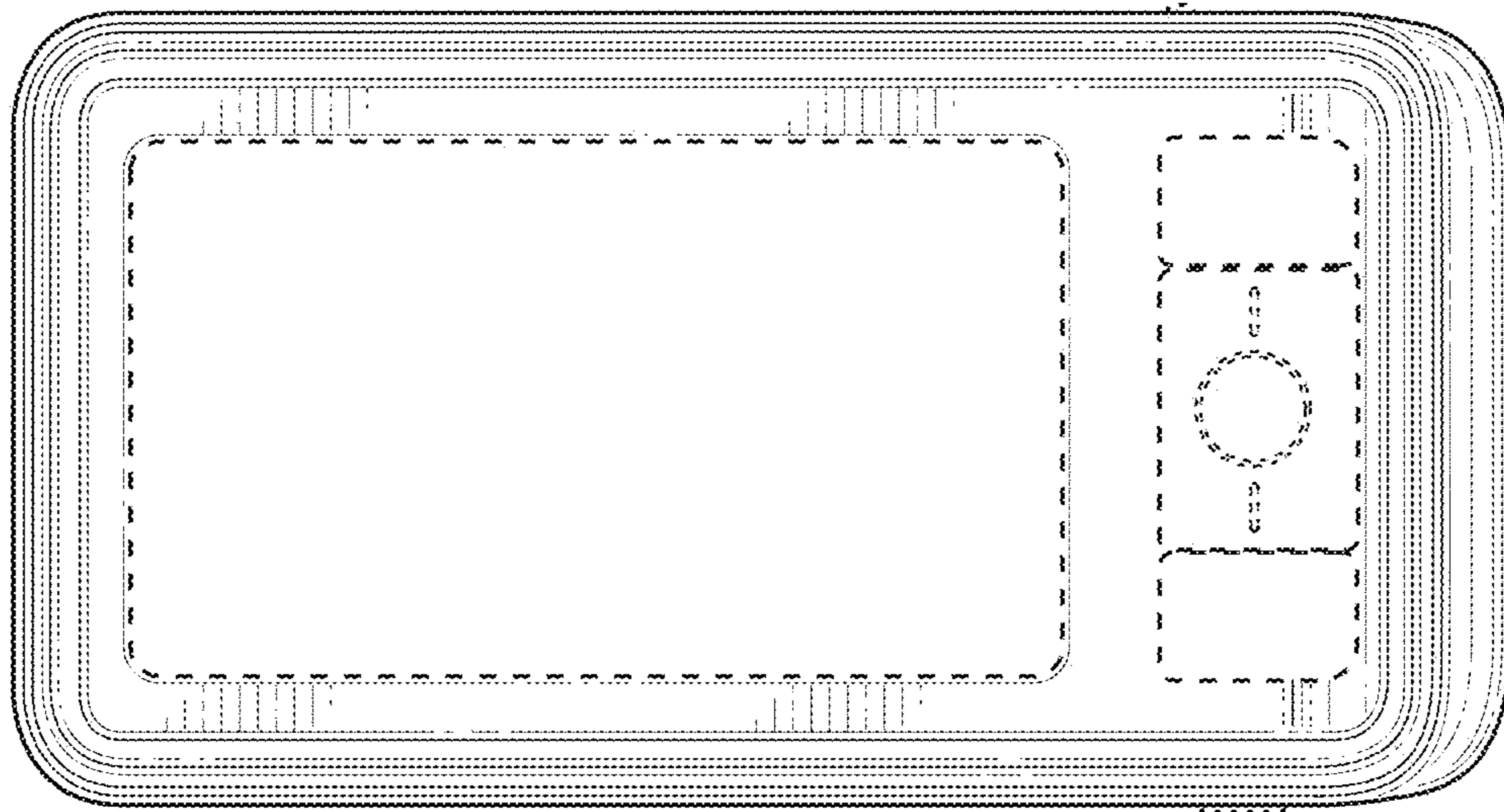


FIG. 3

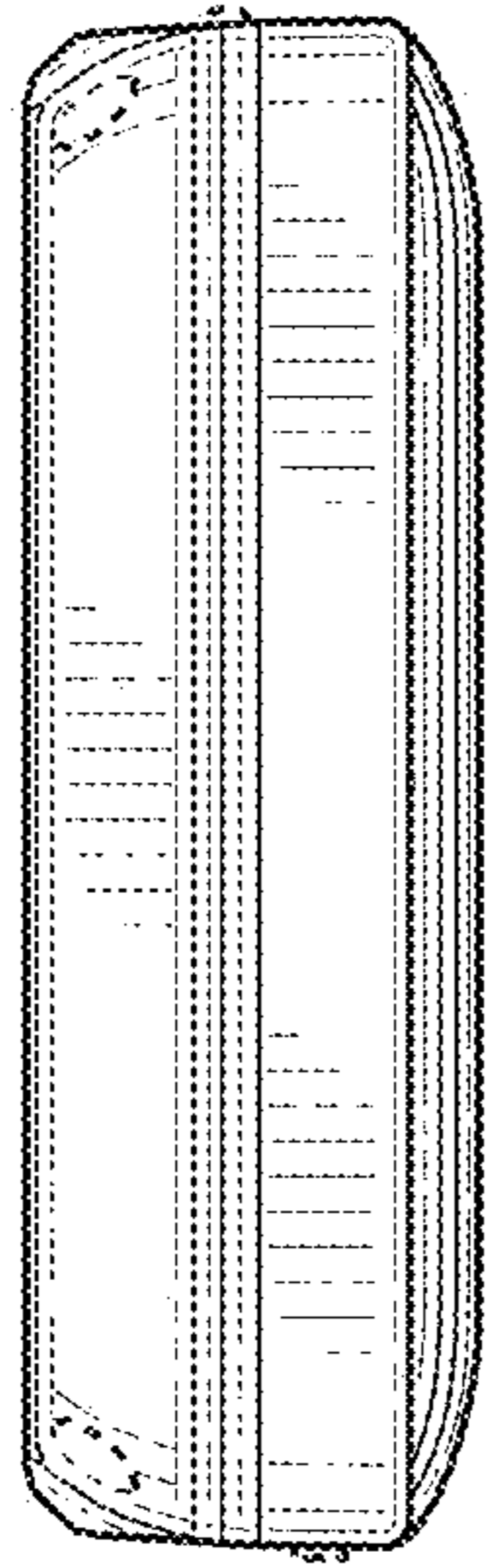


FIG. 4

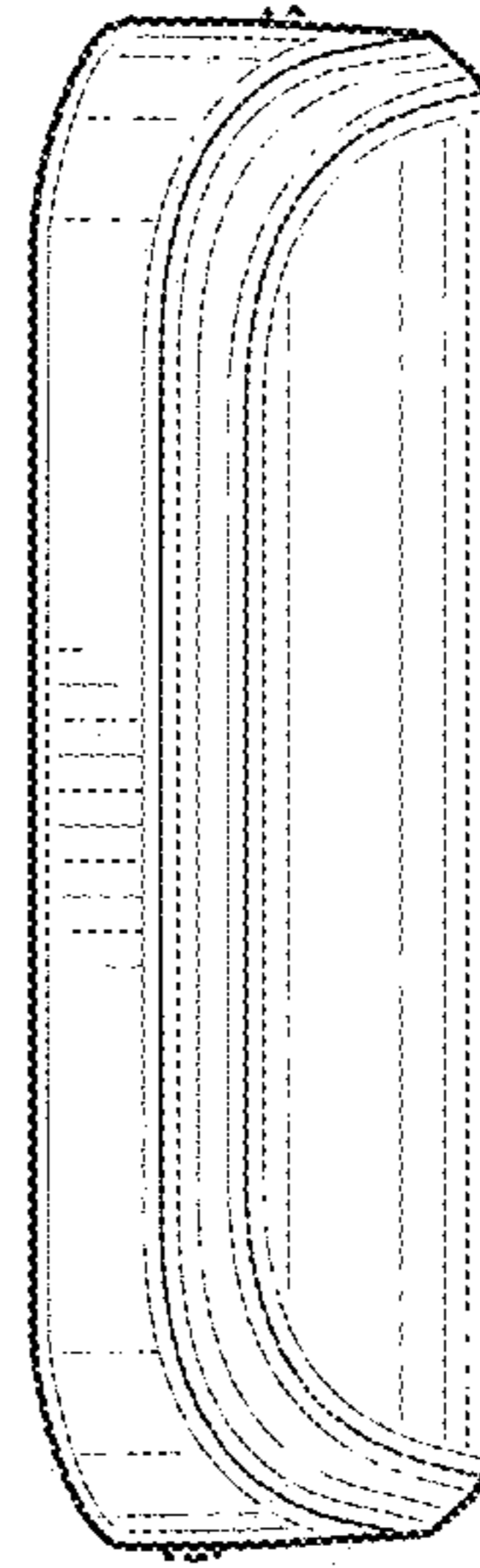


FIG. 5

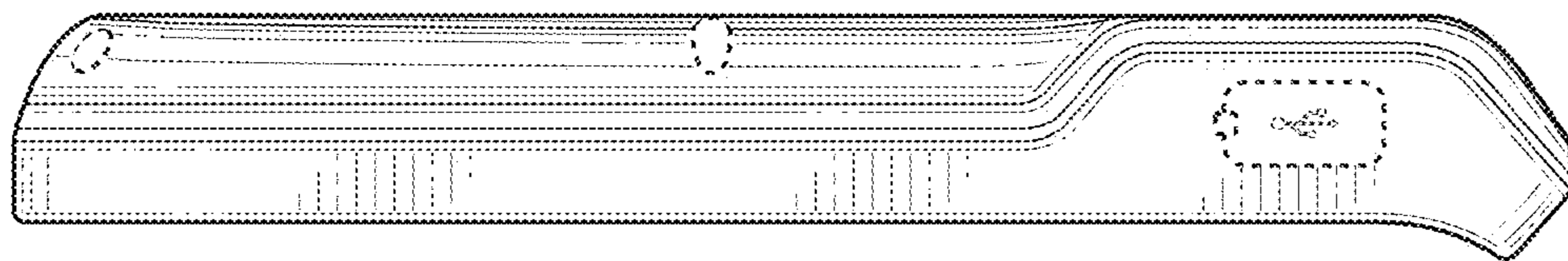


FIG. 6

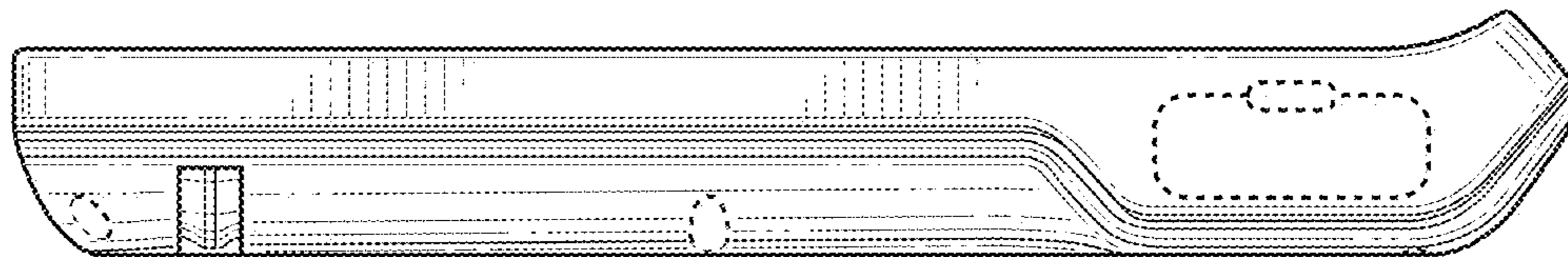


FIG. 7