



US00D908156S

(12) **United States Design Patent** (10) **Patent No.:** **US D908,156 S**  
**Michaelian et al.** (45) **Date of Patent:** **\*\* Jan. 19, 2021**

(54) **VIDEO CAMERA**

(56) **References Cited**

(71) Applicant: **Dolby Laboratories Licensing Corporation**, San Francisco, CA (US)  
(72) Inventors: **Peter Michaelian**, Tappan, NY (US); **Christine Anna Livaudais**, San Francisco, CA (US); **Samuel James Fleming Carr**, San Francisco, CA (US); **Vincent Voron**, Menlo Park, CA (US)  
(73) Assignee: **Dolby Laboratories Licensing Corporation**, San Francisco, CA (US)  
(\*\*) Term: **15 Years**

U.S. PATENT DOCUMENTS

D497,925 S	11/2004	Zhang et al.	
6,845,954 B1	1/2005	Moayer et al.	
D600,730 S *	9/2009	Su .....	D16/202
D665,439 S *	8/2012	Khamsepoor .....	D16/202
D680,144 S *	4/2013	Tsai .....	D16/202
D680,569 S *	4/2013	Lee .....	D16/202
D682,332 S *	5/2013	Wang .....	D16/202
D685,015 S *	6/2013	Wang .....	D16/202
8,593,567 B2 *	11/2013	Xiao .....	H04N 5/2251 348/373
D709,117 S *	7/2014	Gan .....	D16/202
D744,573 S *	12/2015	Matsumiya .....	D16/218
D745,586 S	12/2015	Chou et al.	
D800,201 S *	10/2017	Song .....	D16/202
D849,086 S *	5/2019	Russo .....	D16/202

\* cited by examiner

*Primary Examiner* — Ramzi S Almatrahi  
(74) *Attorney, Agent, or Firm* — Saidman DesignLaw Group, LLC

(21) Appl. No.: **29/642,477**  
(22) Filed: **Mar. 29, 2018**  
(51) **LOC (13) Cl.** ..... **16-01**  
(52) **U.S. Cl.**  
USPC ..... **D16/202**  
(58) **Field of Classification Search**  
USPC ..... D10/61, 63, 65, 70, 71, 104.1, 106.7;  
D16/200, 202–203, 207, 208, 218, 219;  
D14/203.1, 204, 209.1, 496, 497;  
348/14.01–14.6, 373–376; 396/427, 535,  
396/539–541  
CPC ..... G03B 17/02; G03B 19/04; G03B 17/56;  
G03B 17/04; G03B 15/03; H04N 5/2251;  
H04N 5/2252; H04N 5/2253; H04N  
5/2254; H04N 2101/00; H04N 2007/145;  
H04N 7/141; H04N 7/142; H04N 7/147;  
H04N 7/148; H04N 7/15; H04N 7/152  
See application file for complete search history.

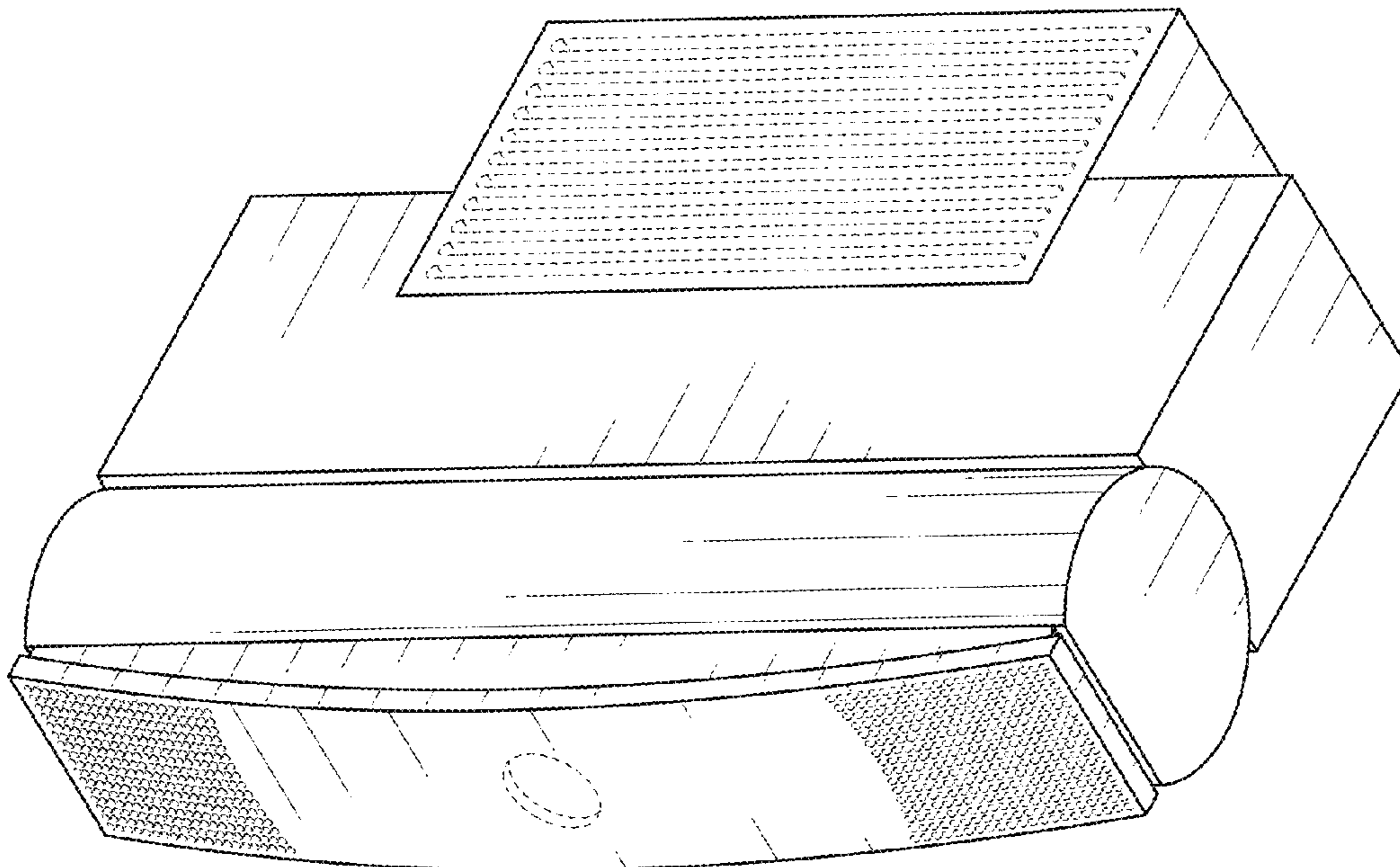
(57) **CLAIM**

The ornamental design for a video camera, as shown and described.

**DESCRIPTION**

FIG. 1 is a perspective view of a video camera showing our new design;  
FIG. 2 is a left side view thereof;  
FIG. 3 is a right side view thereof;  
FIG. 4 is a front view thereof;  
FIG. 5 is a rear view thereof;  
FIG. 6 is a top view thereof; and,  
FIG. 7 is a bottom view thereof.  
The broken lines illustrate portions of the video camera which form no part of the claimed design.

**1 Claim, 3 Drawing Sheets**



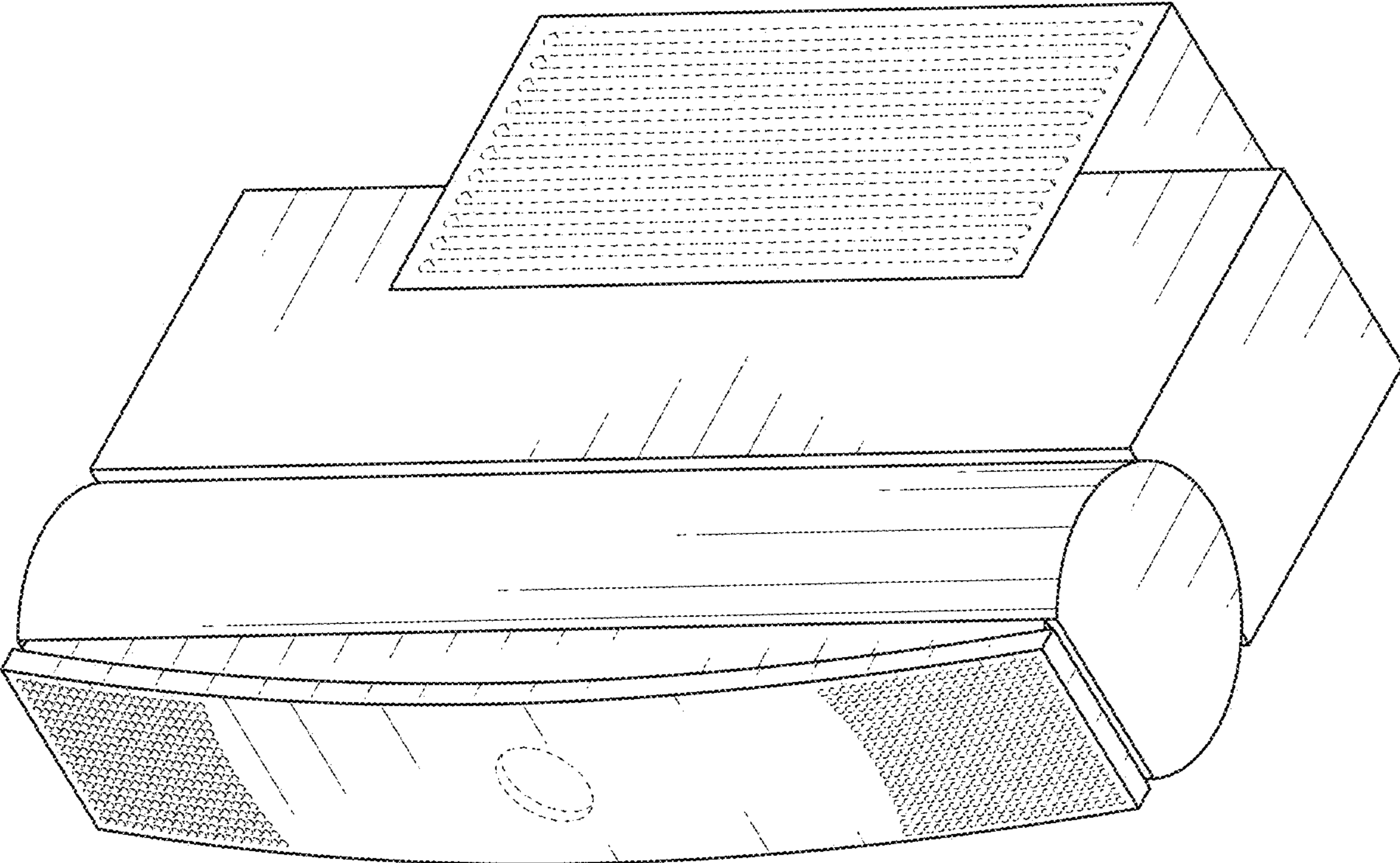


FIG. 1

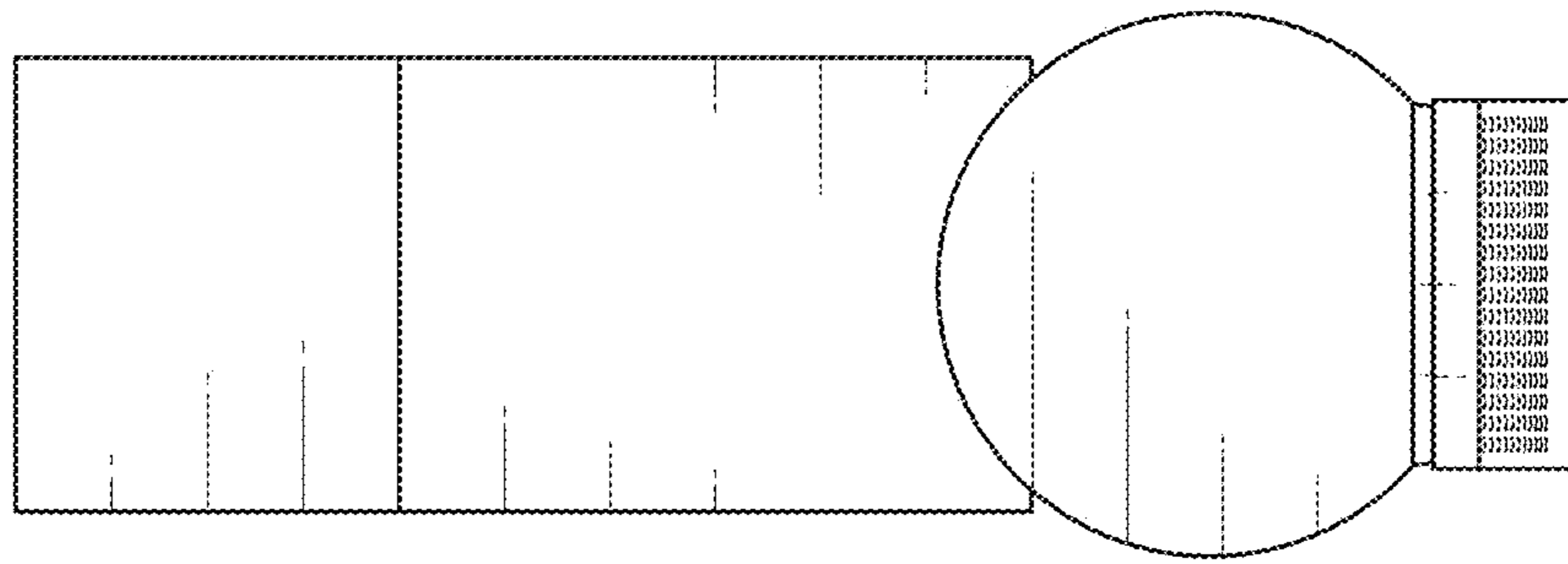


FIG. 2

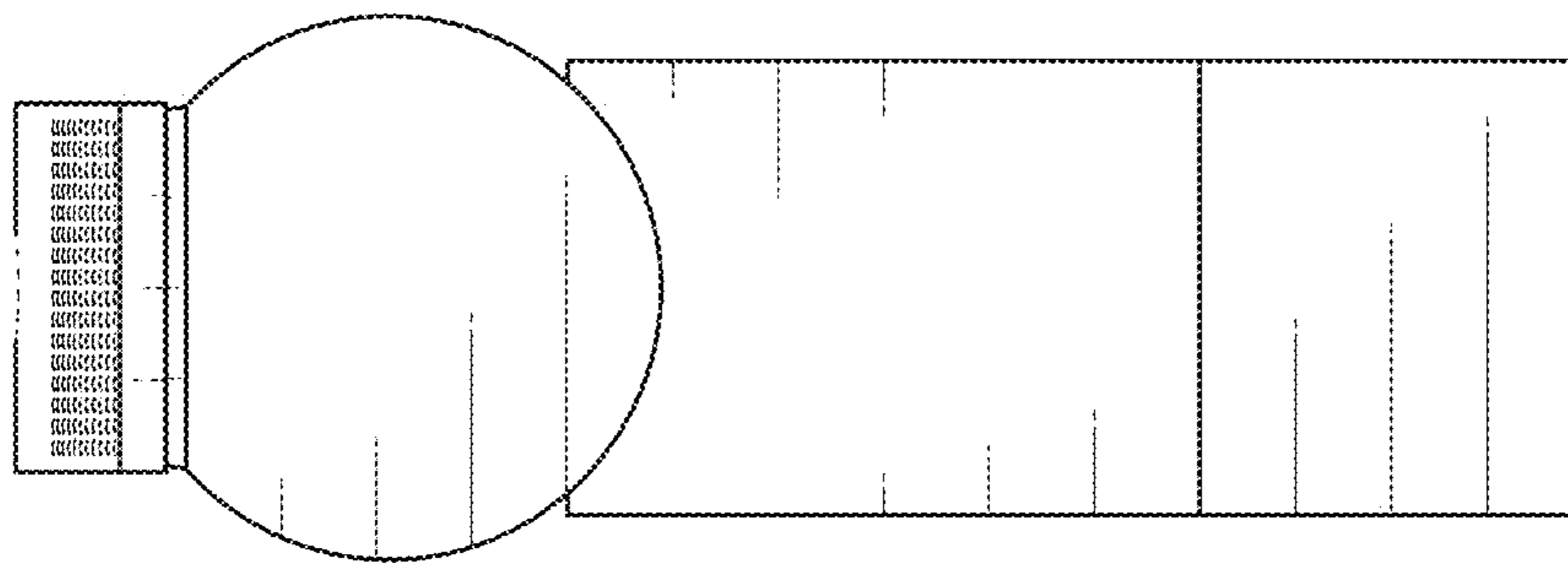


FIG. 3

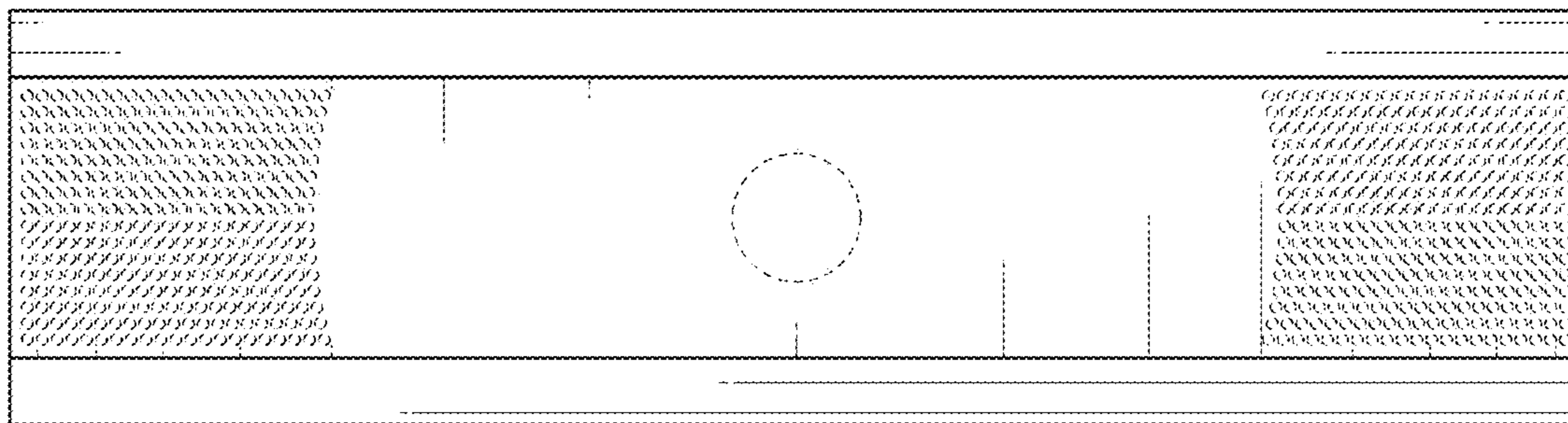


FIG. 4

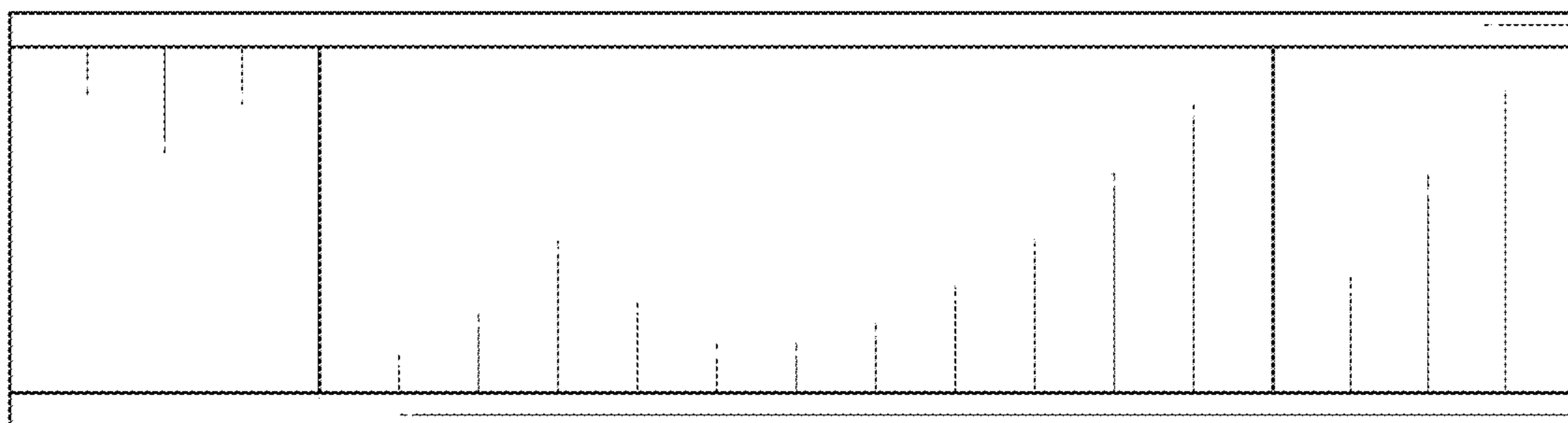


FIG. 5

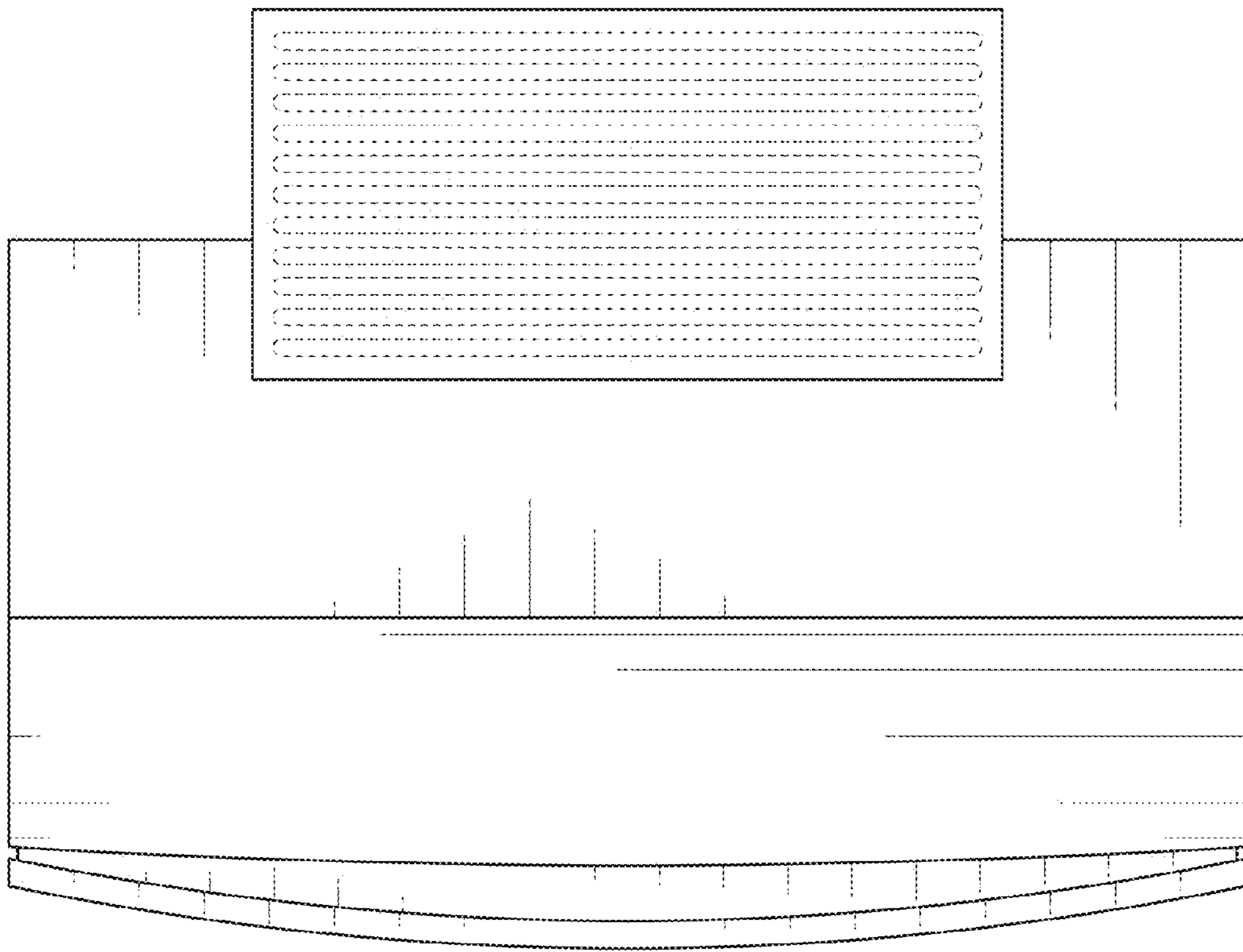


FIG. 6

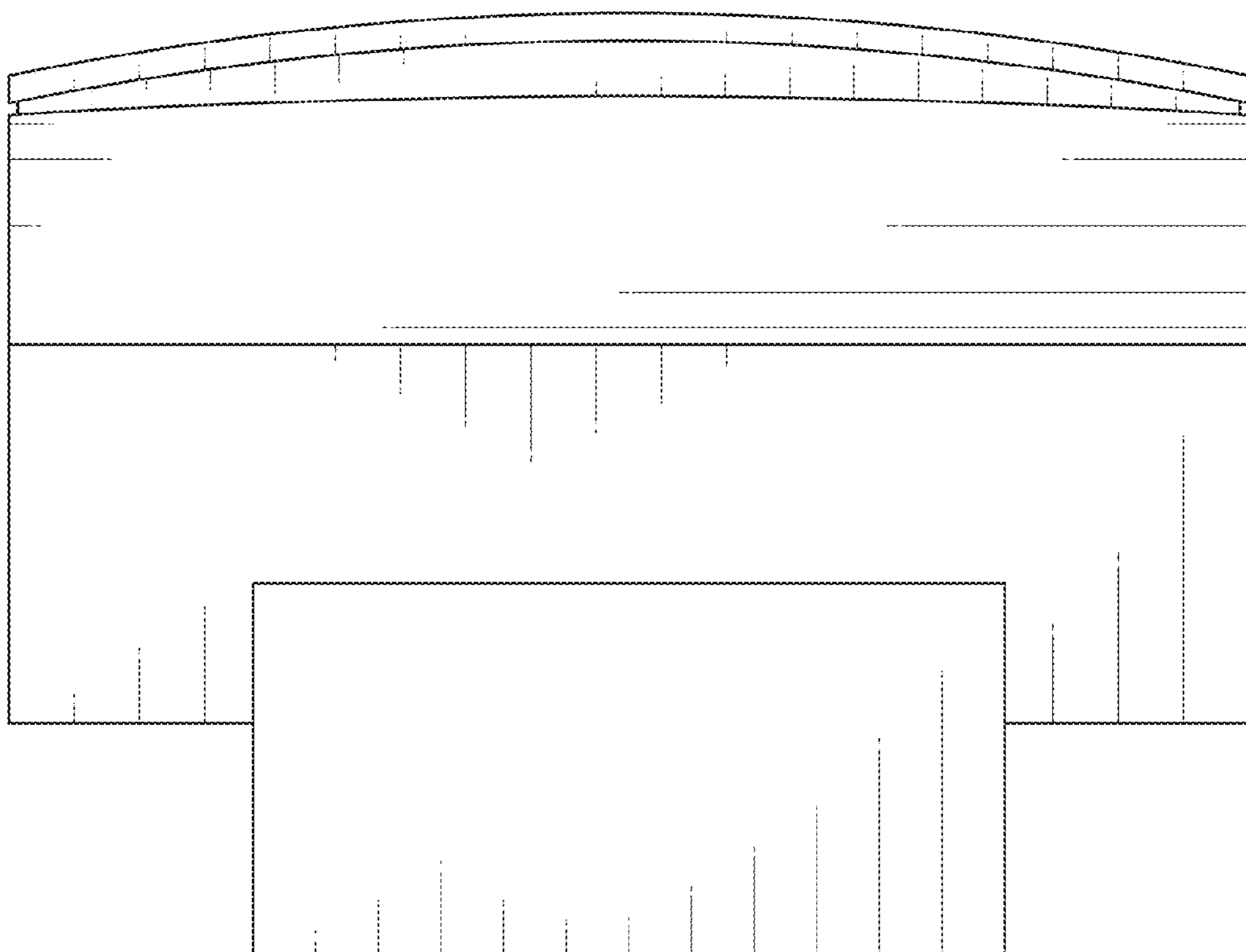


FIG. 7