



US00D908152S

(12) **United States Design Patent**
Cacioppo et al.

(10) **Patent No.:** **US D908,152 S**

(45) **Date of Patent:** **** Jan. 19, 2021**

- (54) **MOBILE CART**
- (71) Applicant: **6 River Systems, LLC**, Waltham, MA (US)
- (72) Inventors: **Christopher Cacioppo**, Someville, MA (US); **Jerome Dubois**, Waltham, MA (US); **Louis Genatossio**, Shrewsbury, MA (US); **Rylan Hamilton**, Boston, MA (US); **Tim Higgins**, Somerville, MA (US); **Hector Padilla**, Chelsea, MA (US)
- (73) Assignee: **6 River Systems, LLC**, Waltham, MA (US)

- D369,008 S * 4/1996 Campbell D34/19
- 6,019,563 A * 2/2000 Murata B23Q 7/1436
414/222.01
- D423,671 S * 4/2000 Garito D24/185
- D468,884 S * 1/2003 Ito D34/12
- D610,324 S * 2/2010 Rossini D34/27
- D610,770 S * 2/2010 Rossini D34/27
- D701,256 S * 3/2014 Song D15/199
- D712,447 S * 9/2014 He D15/199
- D730,011 S * 5/2015 McRorie D34/14
- D746,475 S * 12/2015 Mongin D24/185
- D810,799 S * 2/2018 Sokuza D15/199
- D810,800 S * 2/2018 Wang D15/199
- D819,711 S * 6/2018 Li D15/199
- D822,736 S * 7/2018 Kato D15/199
- 10,040,194 B1 * 8/2018 Theobald B25J 5/00
- 10,048,697 B1 * 8/2018 Theobald B65G 41/008

(Continued)

(**) Term: **15 Years**

Primary Examiner — Patricia A Palasik

(21) Appl. No.: **29/695,998**

(74) *Attorney, Agent, or Firm* — Straub & Straub;
Michael P. Straub; Stephen T. Straub

(22) Filed: **Jun. 24, 2019**

(51) **LOC (13) Cl.** **15-99**

(52) **U.S. Cl.**
USPC **D15/199; D34/34**

(58) **Field of Classification Search**
USPC D15/199; D21/578–583, 621, 622;
D32/21; D34/34
CPC B23K 9/133; B23K 9/287; B25J 9/0018;
B25J 19/0025; Y10T 74/20; Y10T
74/20207; Y10T 74/20311; Y10T
74/20305; Y10S 901/01
See application file for complete search history.

(57) **CLAIM**

The ornamental design for a mobile cart, as shown and described.

DESCRIPTION

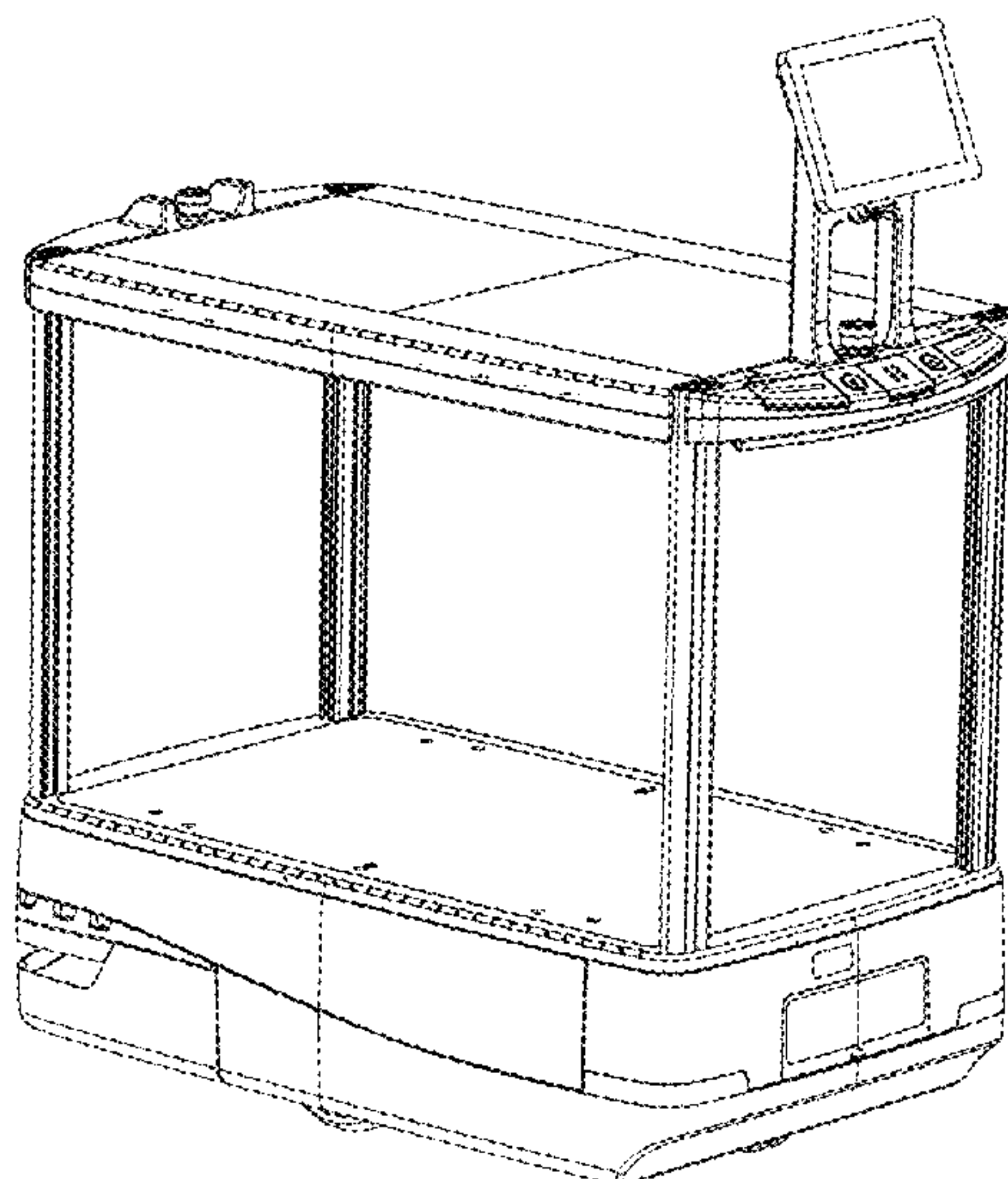
FIG. 1 is a left front perspective view of a mobile cart showing our new design;
FIG. 2 is a right front perspective view thereof;
FIG. 3 is a left rear perspective view thereof
FIG. 4 is a front elevational view thereof;
FIG. 5 is a rear elevational view thereof;
FIG. 6 is a right side elevational view thereof;
FIG. 7 is a left side elevational view thereof;
FIG. 8 is a top plan view thereof; and,
FIG. 9 is a bottom plan view thereof.
The broken lines in the drawings depict portions of the mobile cart and form no part of the claimed design.

(56) **References Cited**

U.S. PATENT DOCUMENTS

- 4,137,984 A * 2/1979 Jennings B62D 1/28
180/168
- 4,496,274 A * 1/1985 Pipes B66F 9/063
414/340
- 4,657,463 A * 4/1987 Pipes B62D 1/24
180/167
- D295,105 S * 4/1988 Dawson D34/18

1 Claim, 9 Drawing Sheets



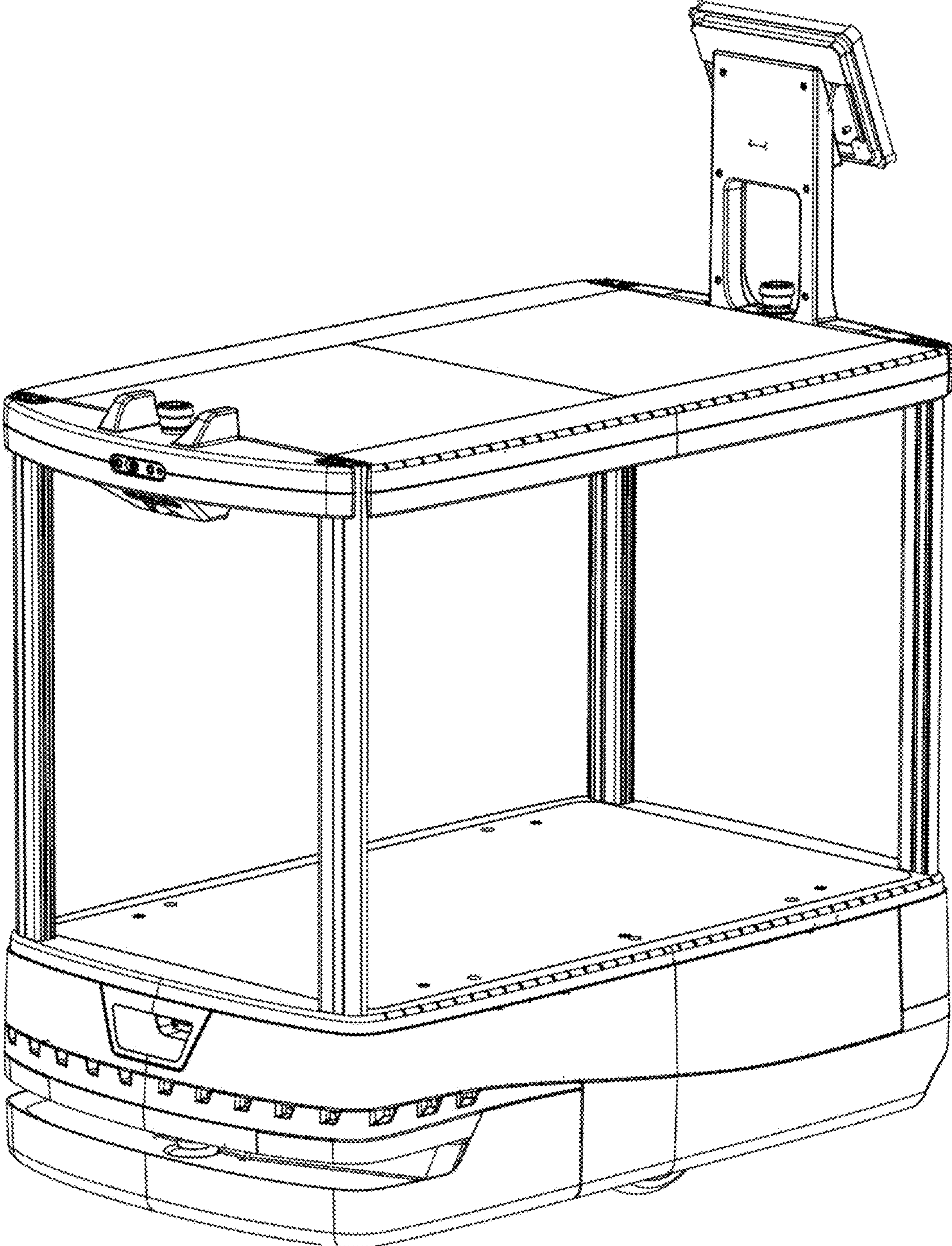


FIGURE 1

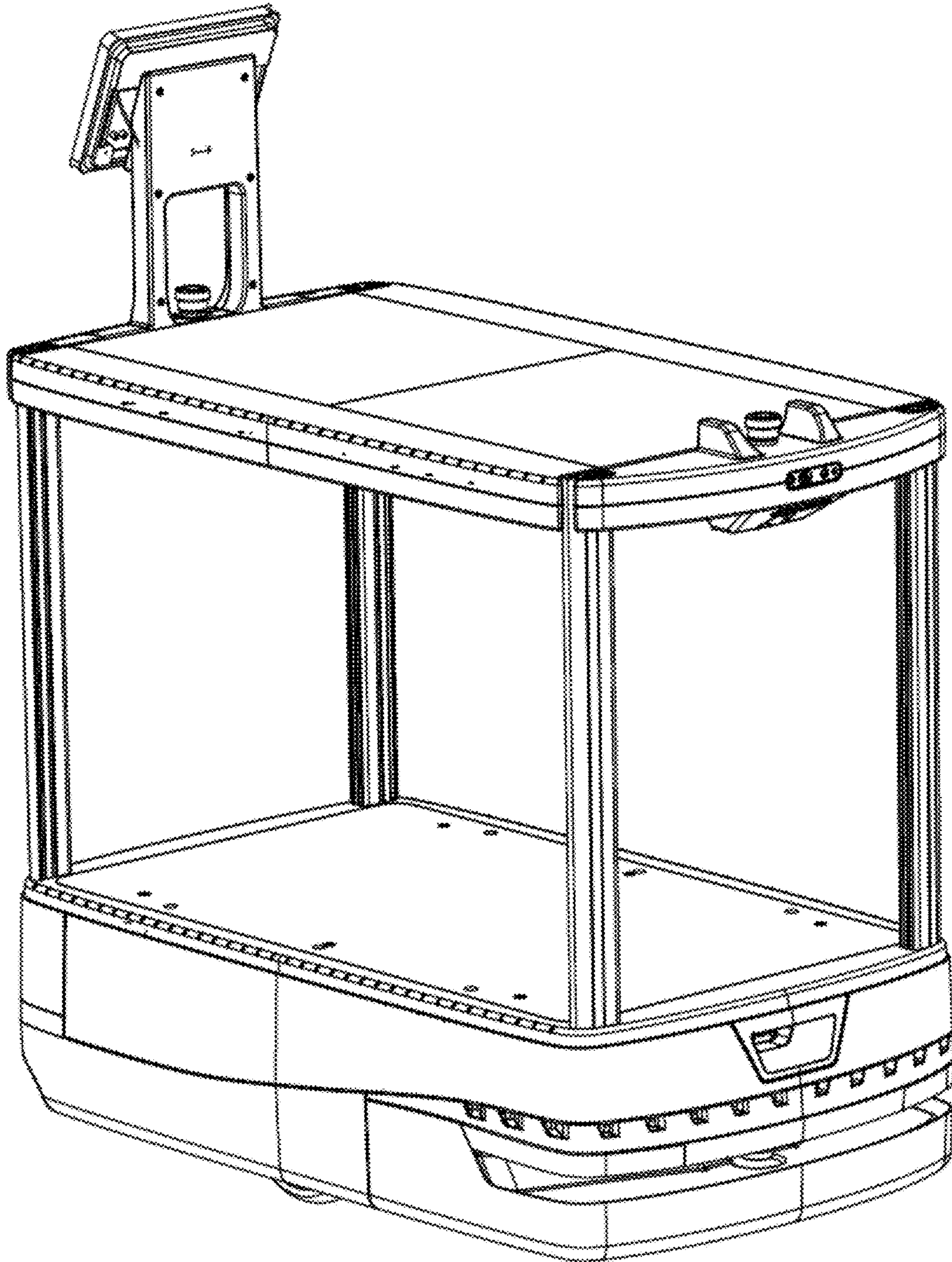


FIGURE 2

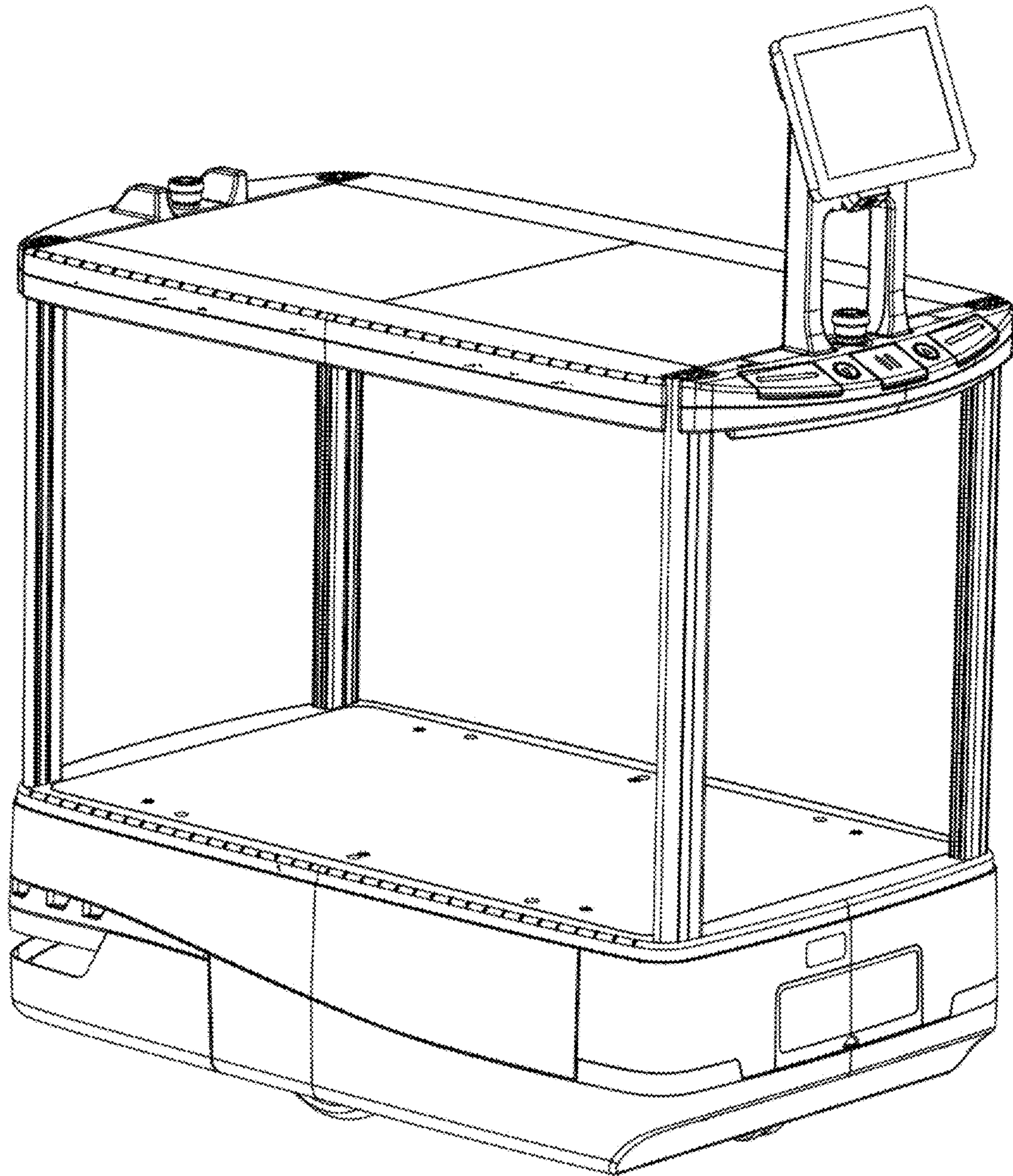


FIGURE 3

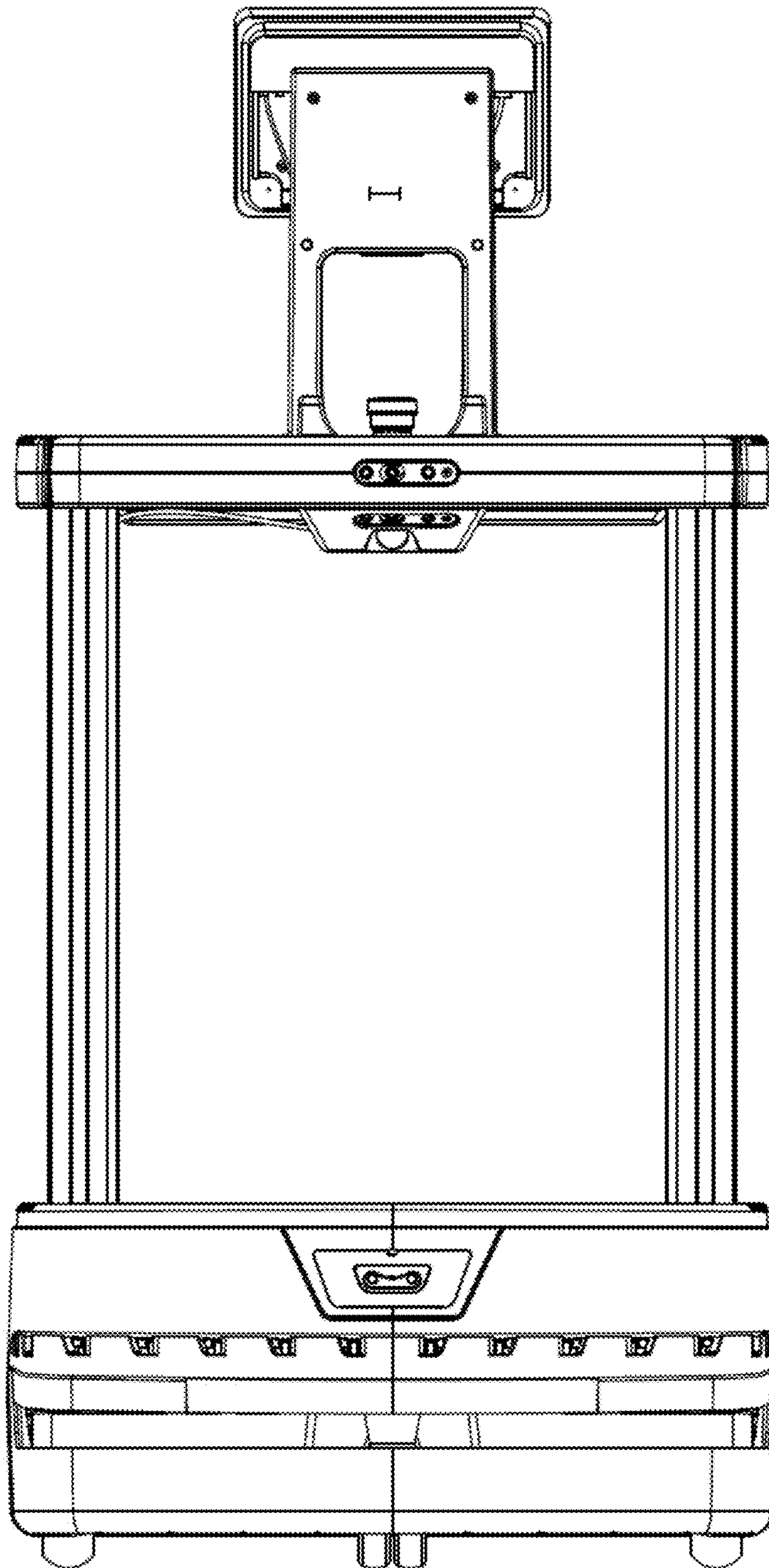


FIGURE 4

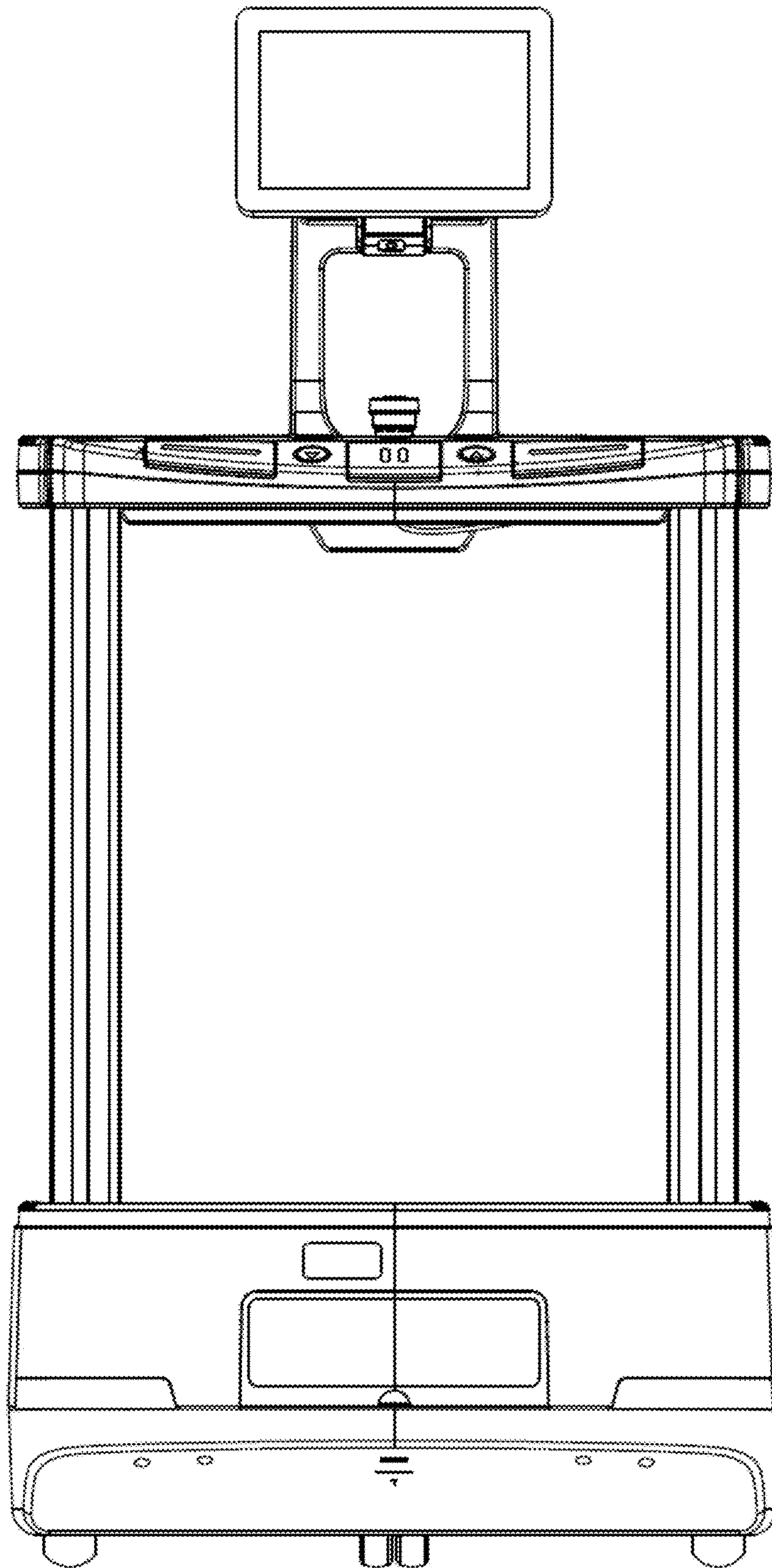


FIGURE 5

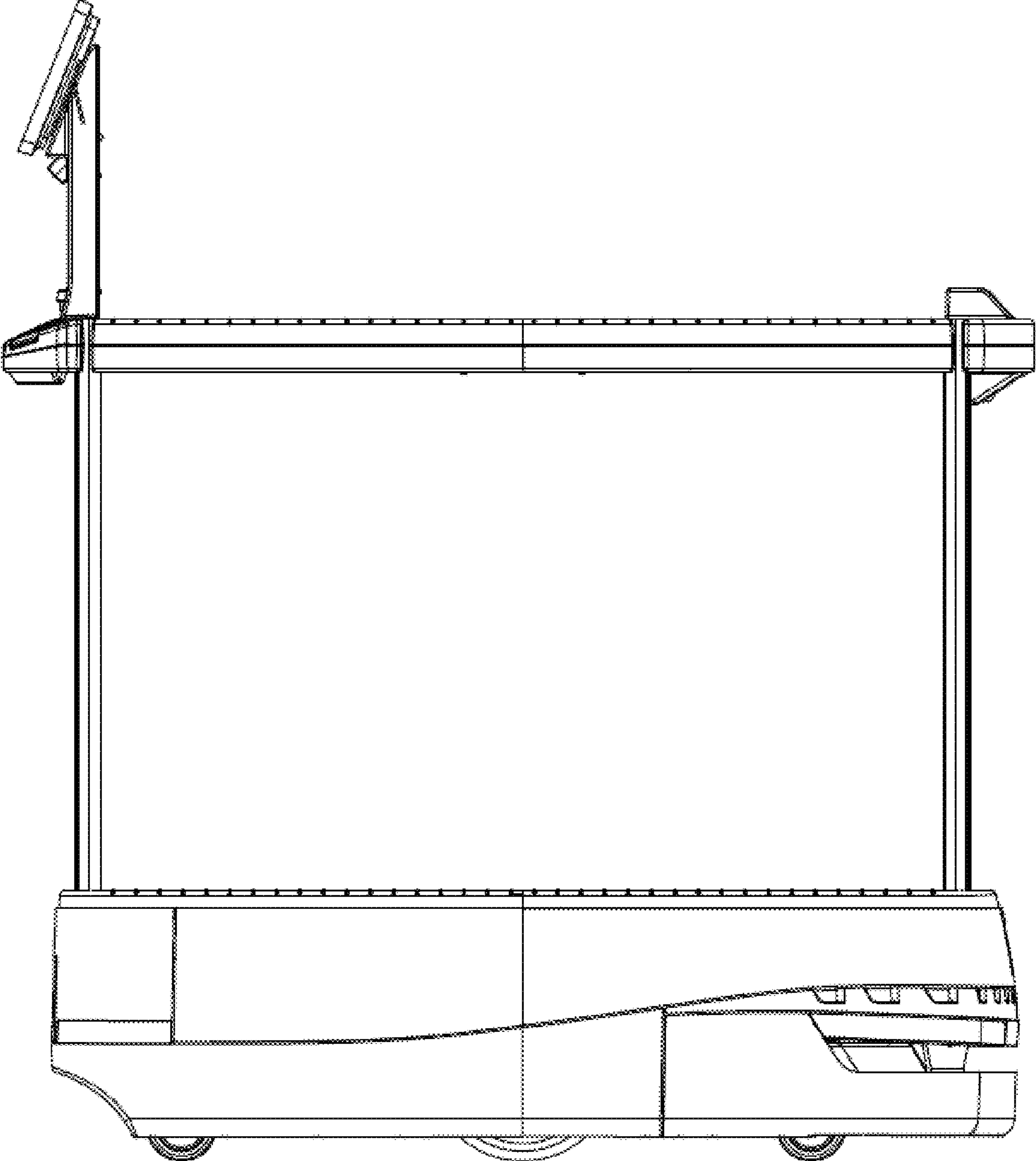


FIGURE 6

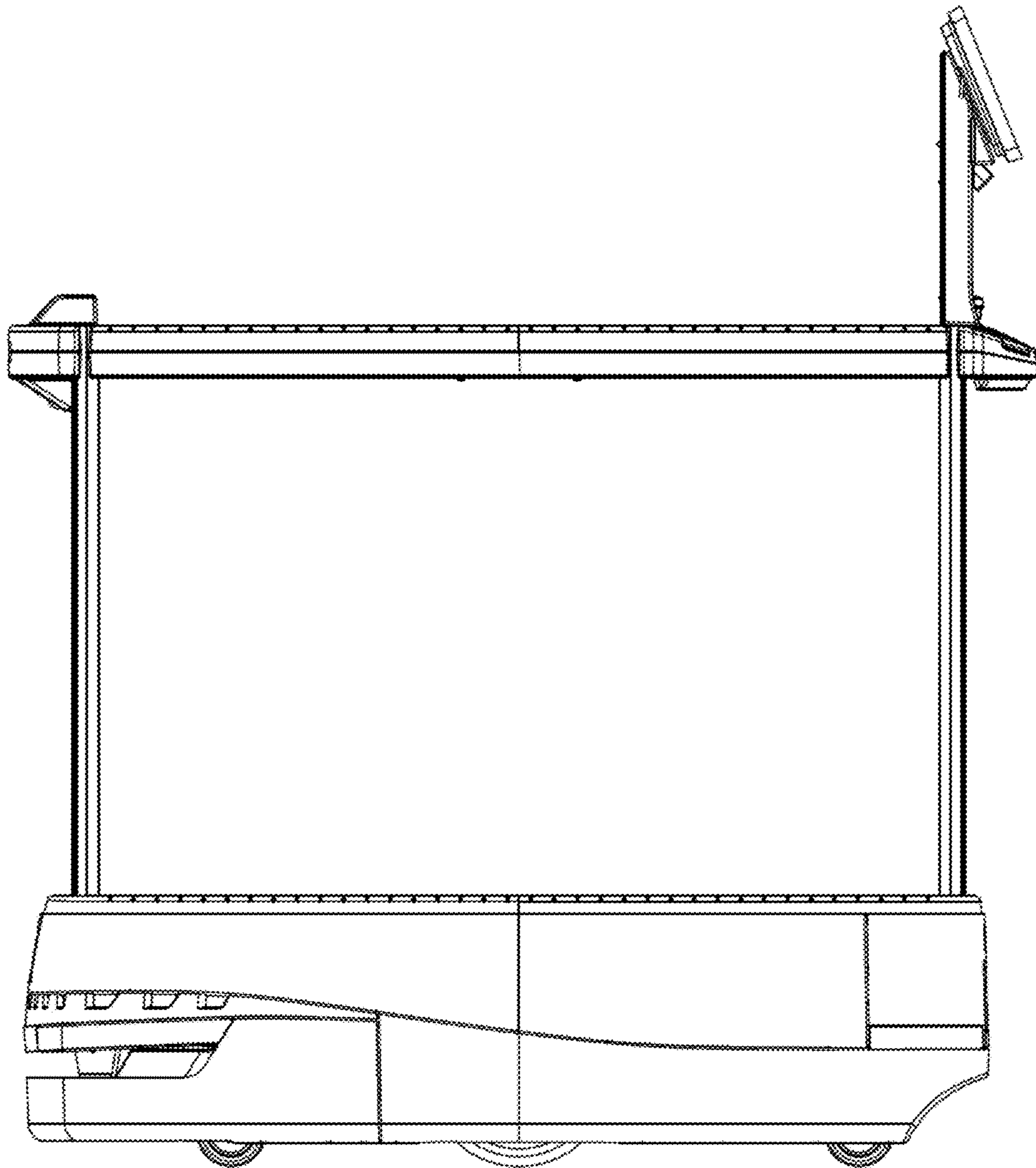


FIGURE 7

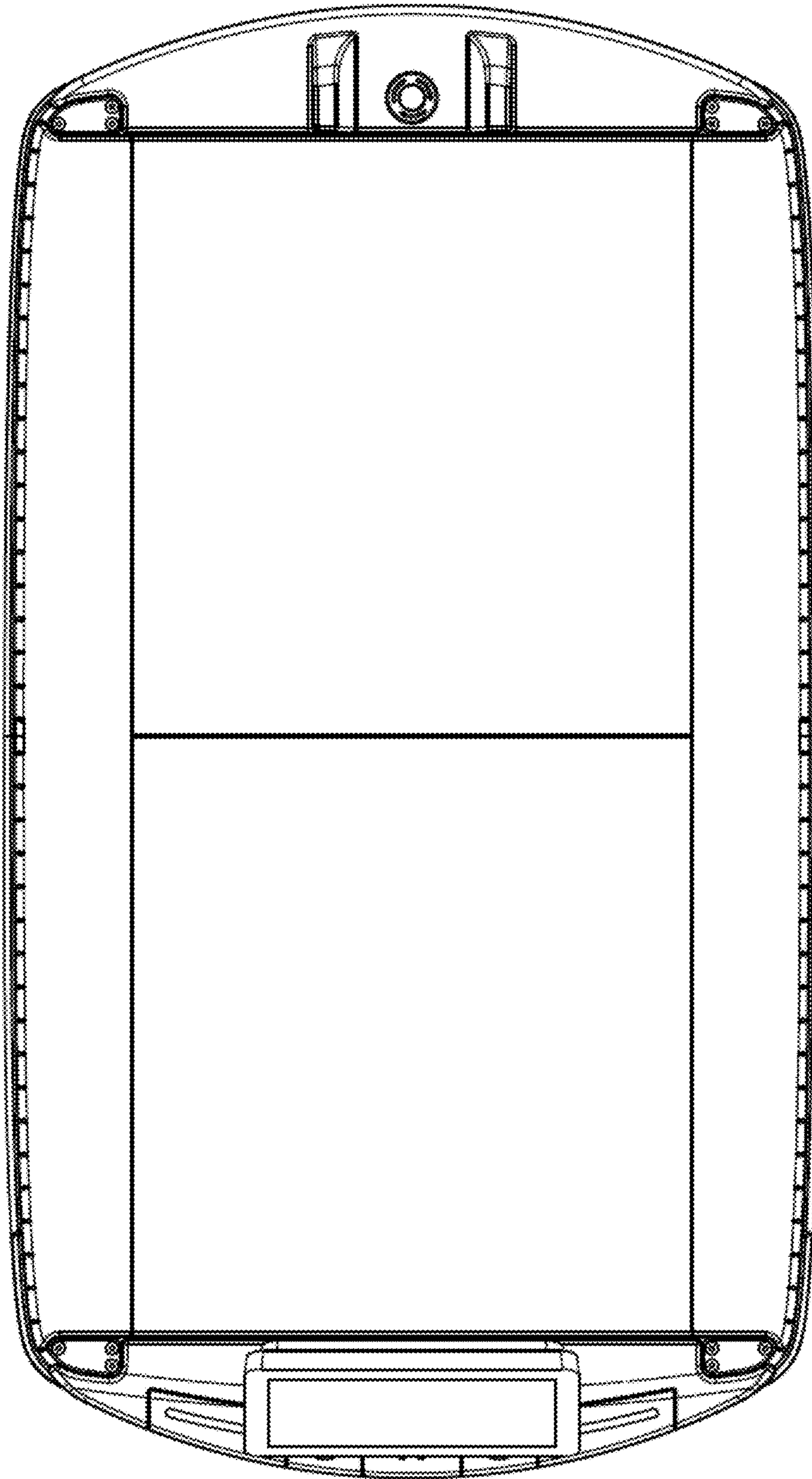


FIGURE 8

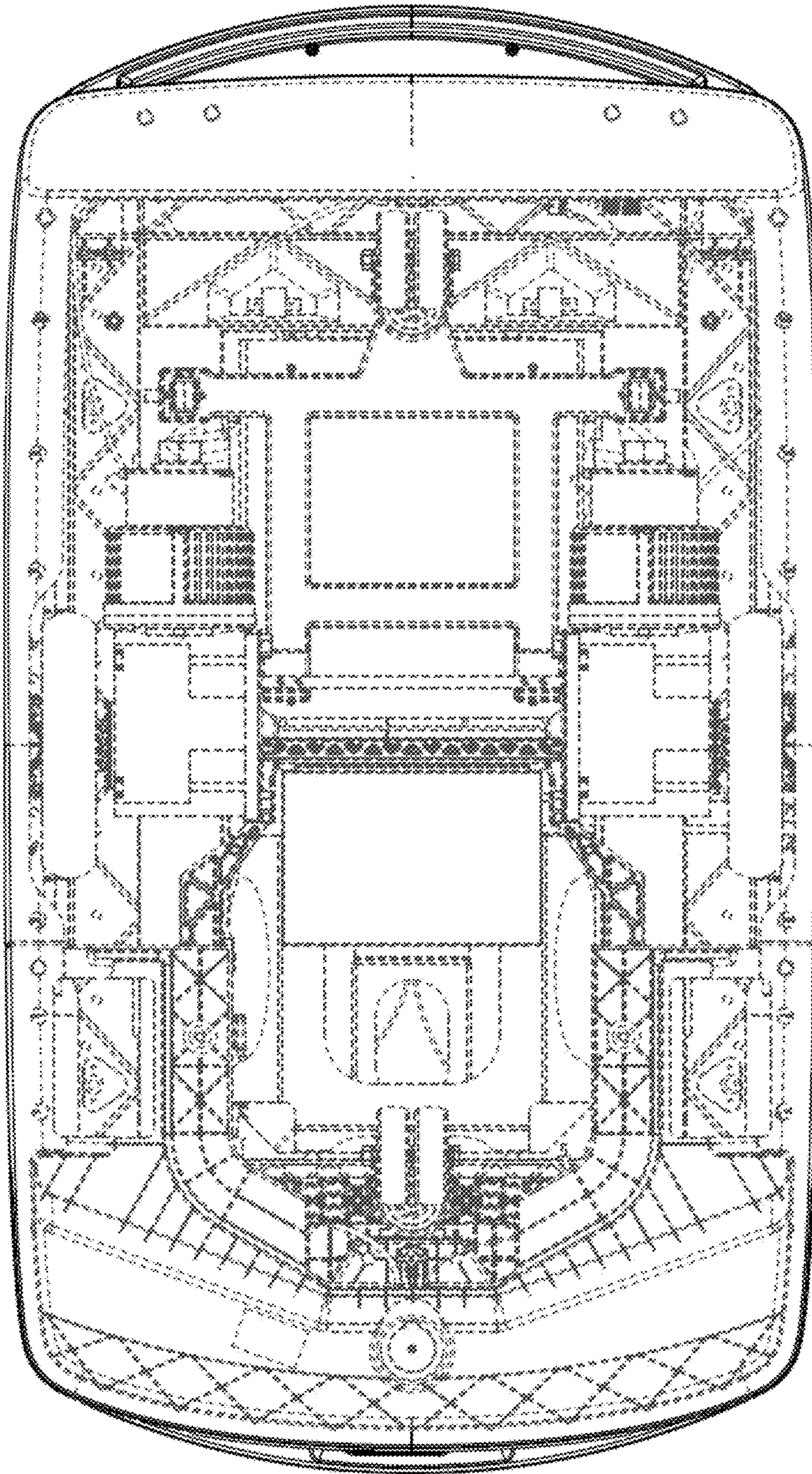


FIGURE 9