



US00D908151S

(12) **United States Design Patent**
Song

(10) **Patent No.:** **US D908,151 S**

(45) **Date of Patent:** **** Jan. 19, 2021**

(54) **ARTIFICIAL INTELLIGENCE ROBOT**

(71) Applicant: **Samsung Electronics Co., Ltd.**,
Suwon-si (KR)

(72) Inventor: **Hangil Song**, Suwon-si (KR)

(73) Assignee: **Samsung Electronics Co., Ltd.**,
Suwon-si (KR)

(**) Term: **15 Years**

(21) Appl. No.: **29/687,910**

(22) Filed: **Apr. 17, 2019**

(30) **Foreign Application Priority Data**

Dec. 20, 2018 (KR) 30-2018-0060638

(51) **LOC (13) Cl.** **15-99**

(52) **U.S. Cl.**
USPC **D15/199**

(58) **Field of Classification Search**

USPC D12/1; D15/199; D21/578-583, 621,
D21/622; D32/21

CPC B25J 5/007; B60B 19/006; B62D 57/024;
H01F 7/0221; Y10S 901/01

See application file for complete search history.

(56) **References Cited**

U.S. PATENT DOCUMENTS

D549,756 S * 8/2007 Park D15/199
D675,656 S * 2/2013 Sutherland D15/199
D802,040 S * 11/2017 Canoso D15/199
D810,167 S * 2/2018 Yang D15/199
D810,800 S * 2/2018 Wang D15/199
D811,458 S * 2/2018 Wang D15/199

D817,375 S * 5/2018 Deyle D15/199
D840,451 S * 2/2019 Yoo D15/199
D840,452 S * 2/2019 Yoo D15/199
D840,453 S * 2/2019 Yoo D15/199
D855,673 S * 8/2019 Sutherland D15/199
D870,787 S * 12/2019 Kim D15/199
D870,788 S * 12/2019 Kim D15/199
D881,249 S * 4/2020 Kim D15/199
D888,121 S * 6/2020 Kim D15/199
D888,165 S * 6/2020 Michaelian D21/608
D893,572 S * 8/2020 Kim D15/199
D894,248 S * 8/2020 Kim D15/199
2015/0190927 A1* 7/2015 Sutherland H04W 4/70
700/259
2018/0178375 A1* 6/2018 Yang B25J 5/007

* cited by examiner

Primary Examiner — Patricia A Palasik

(74) *Attorney, Agent, or Firm* — NSIP Law

(57) **CLAIM**

I claim the ornamental design for artificial intelligence robot, as shown and described.

DESCRIPTION

FIG. 1 is a front perspective view of an artificial intelligence robot showing my new design;
FIG. 2 is a front view thereof;
FIG. 3 is rear view thereof;
FIG. 4 is a left-side view thereof;
FIG. 5 is a right-side view thereof;
FIG. 6 is a top view thereof;
FIG. 7 is a bottom view thereof; and,
FIG. 8 is a rear perspective view thereof.

The broken lines in the figures depict portions of the artificial intelligence robot which form no part of the claimed design.

1 Claim, 8 Drawing Sheets

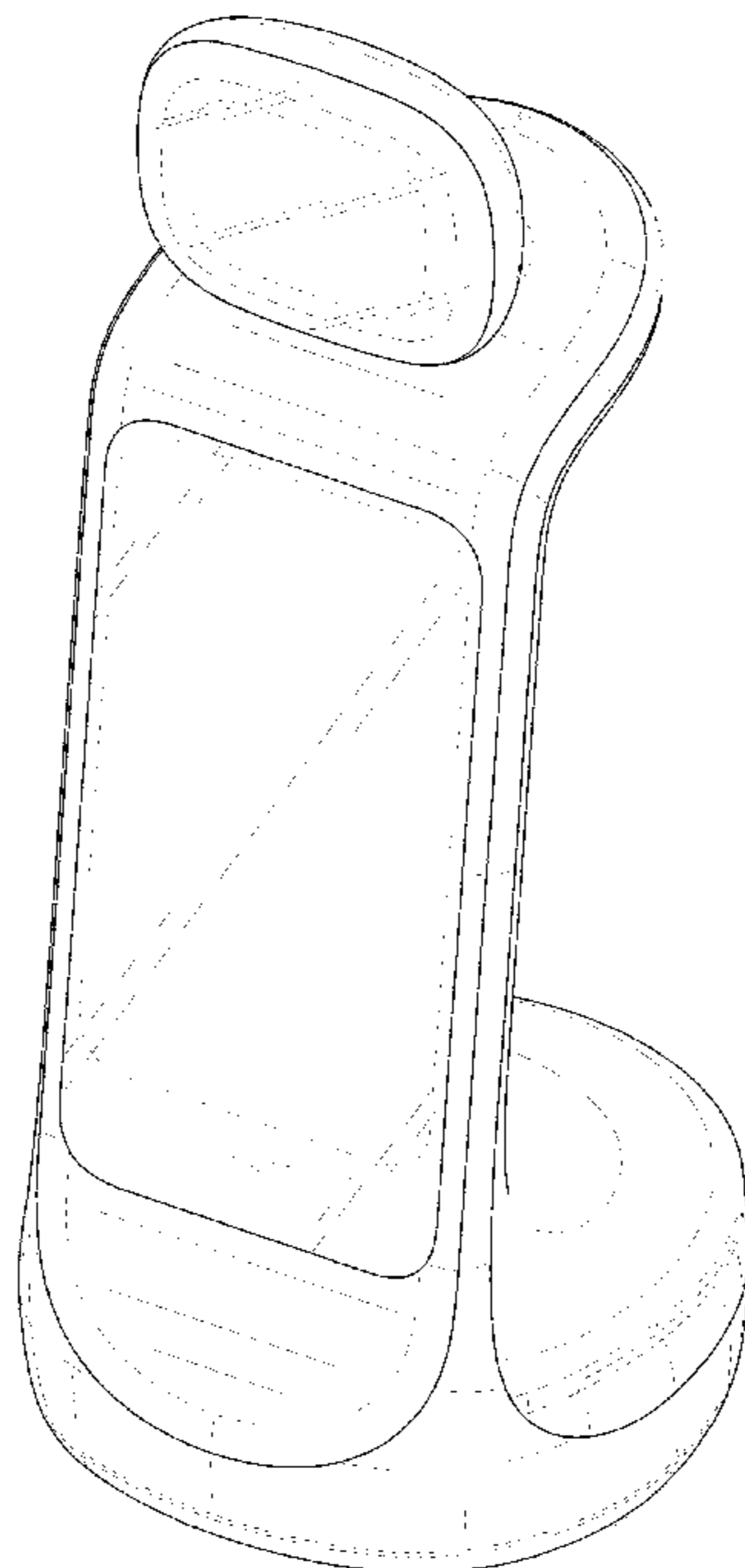


FIG. 1

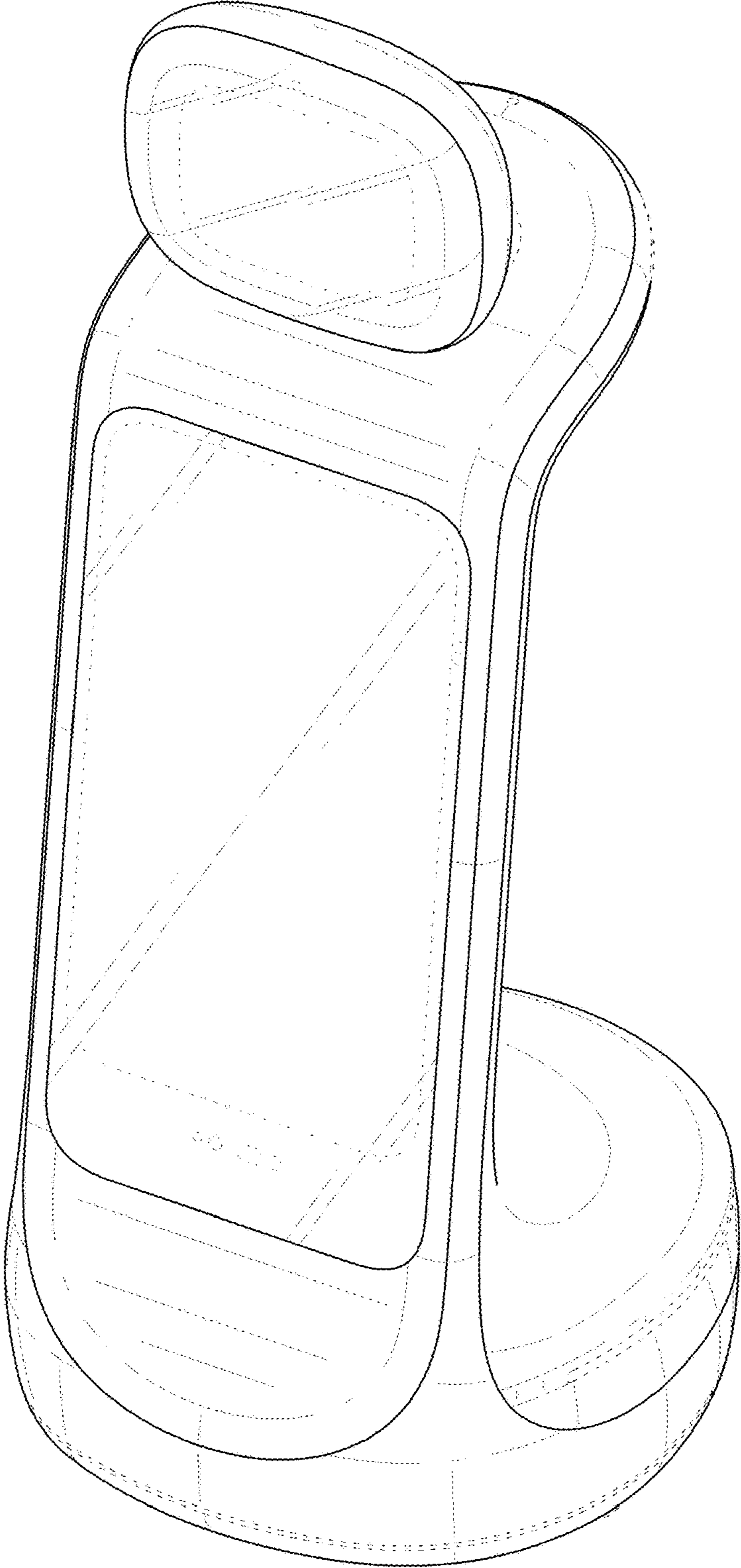


FIG. 2

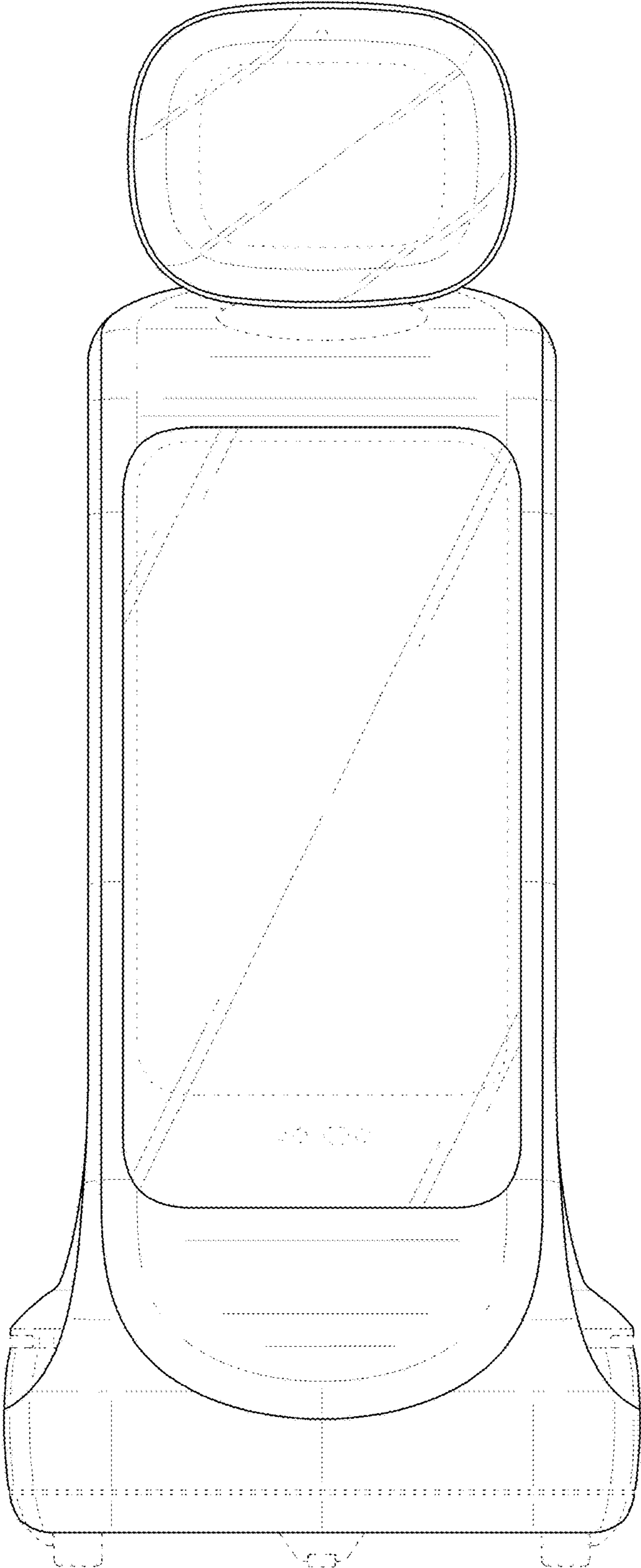


FIG. 3

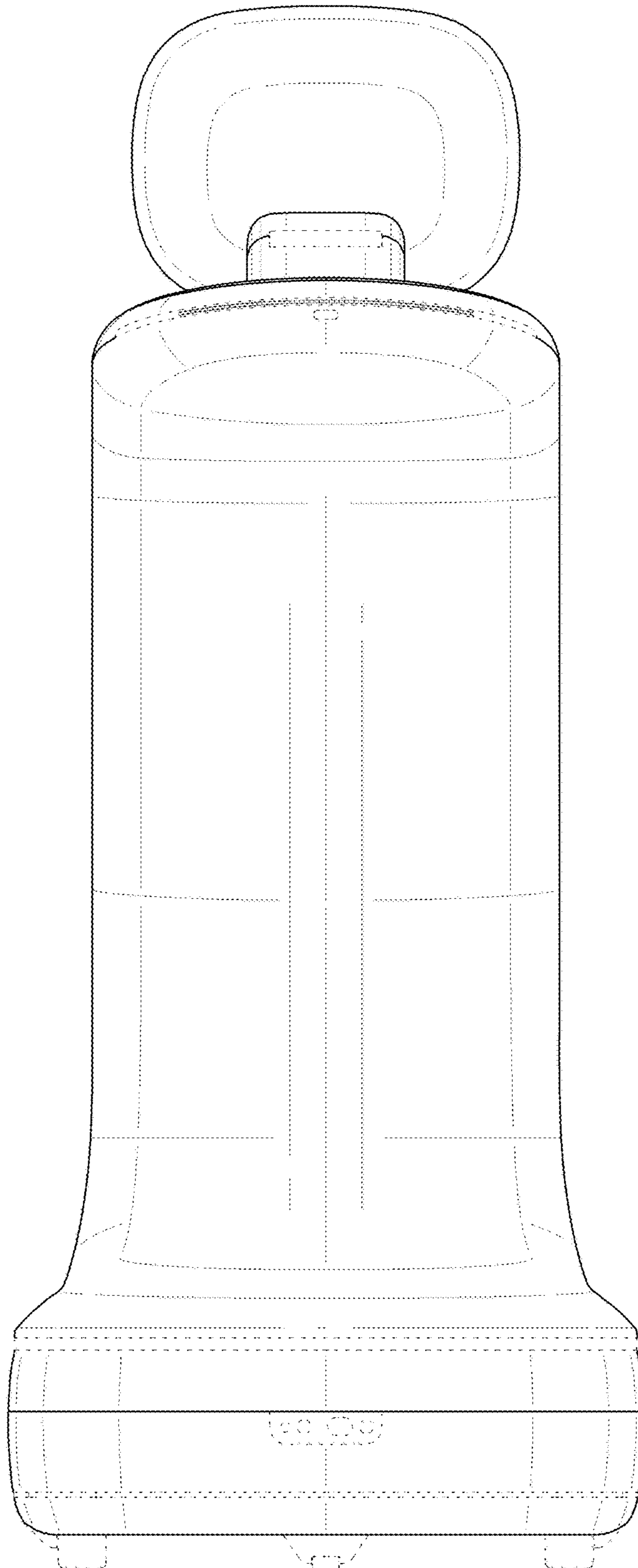


FIG. 4

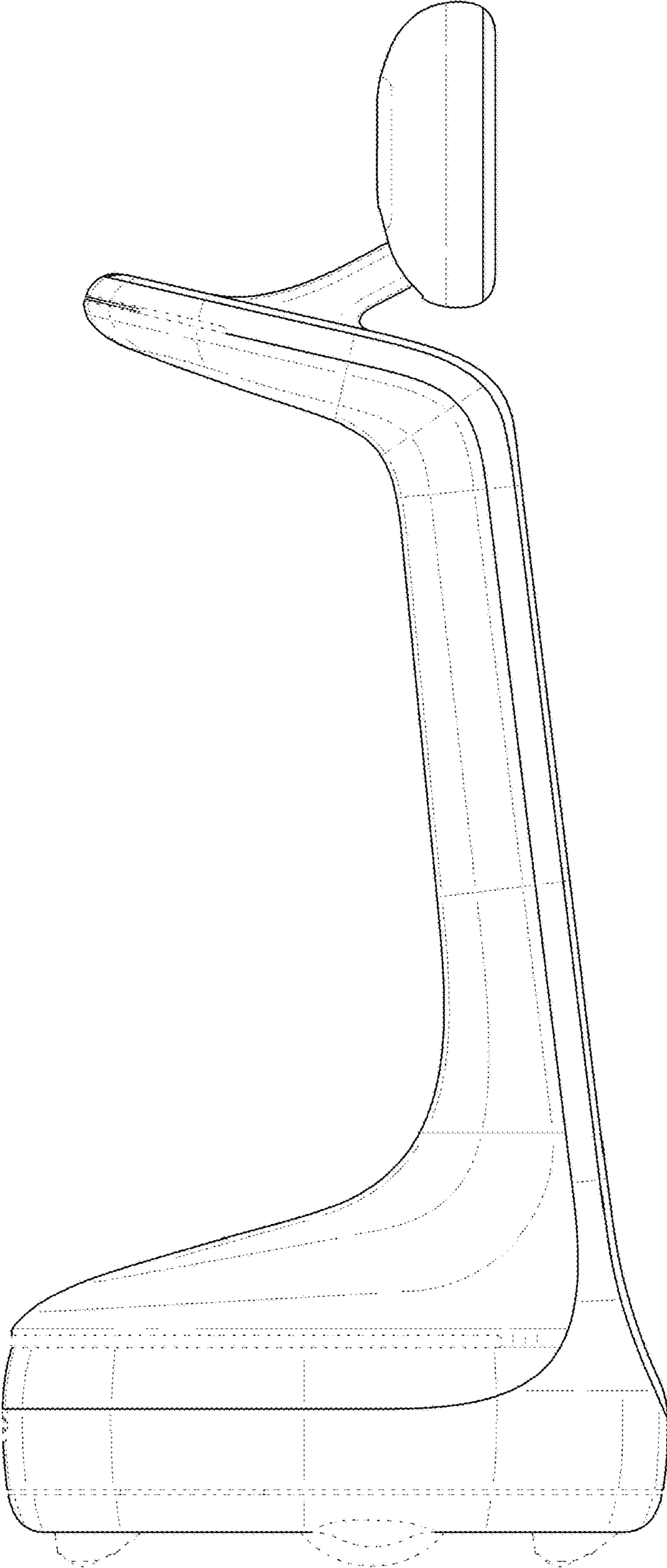


FIG. 5

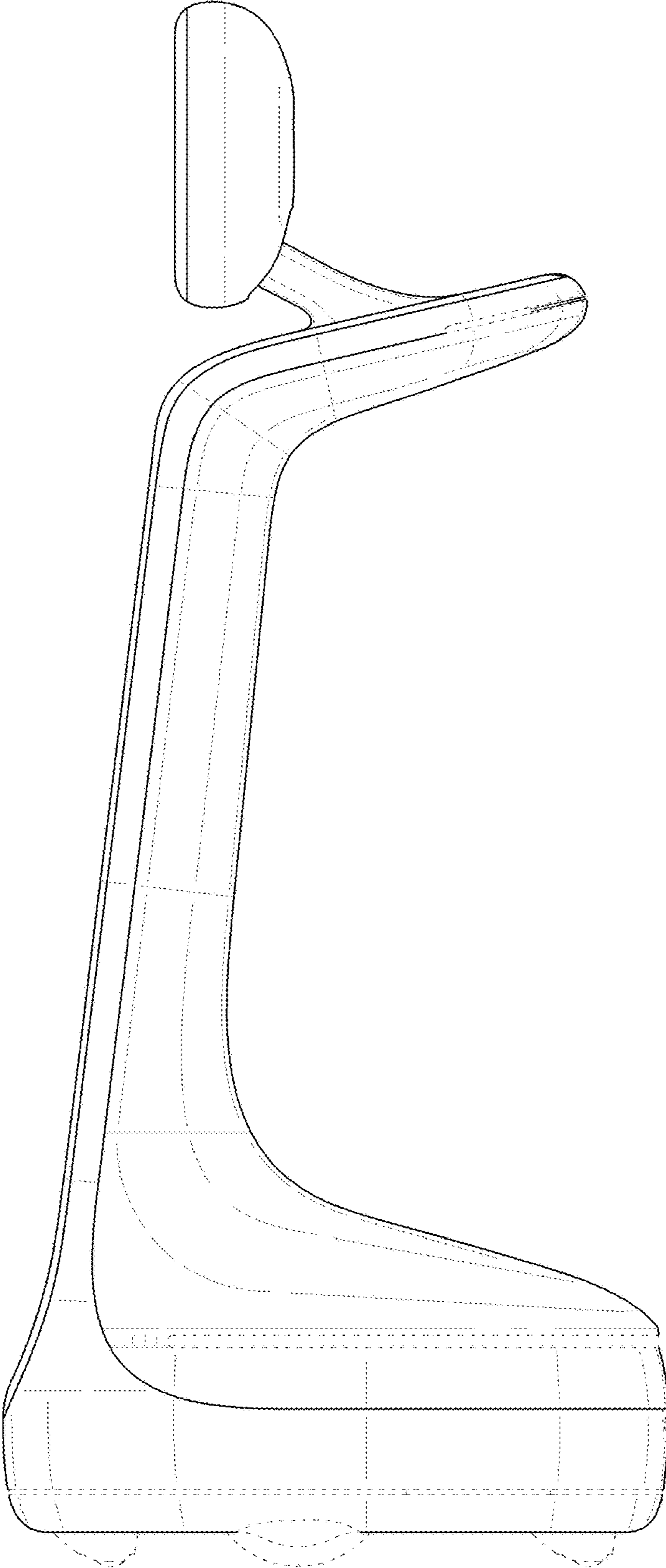


FIG. 6

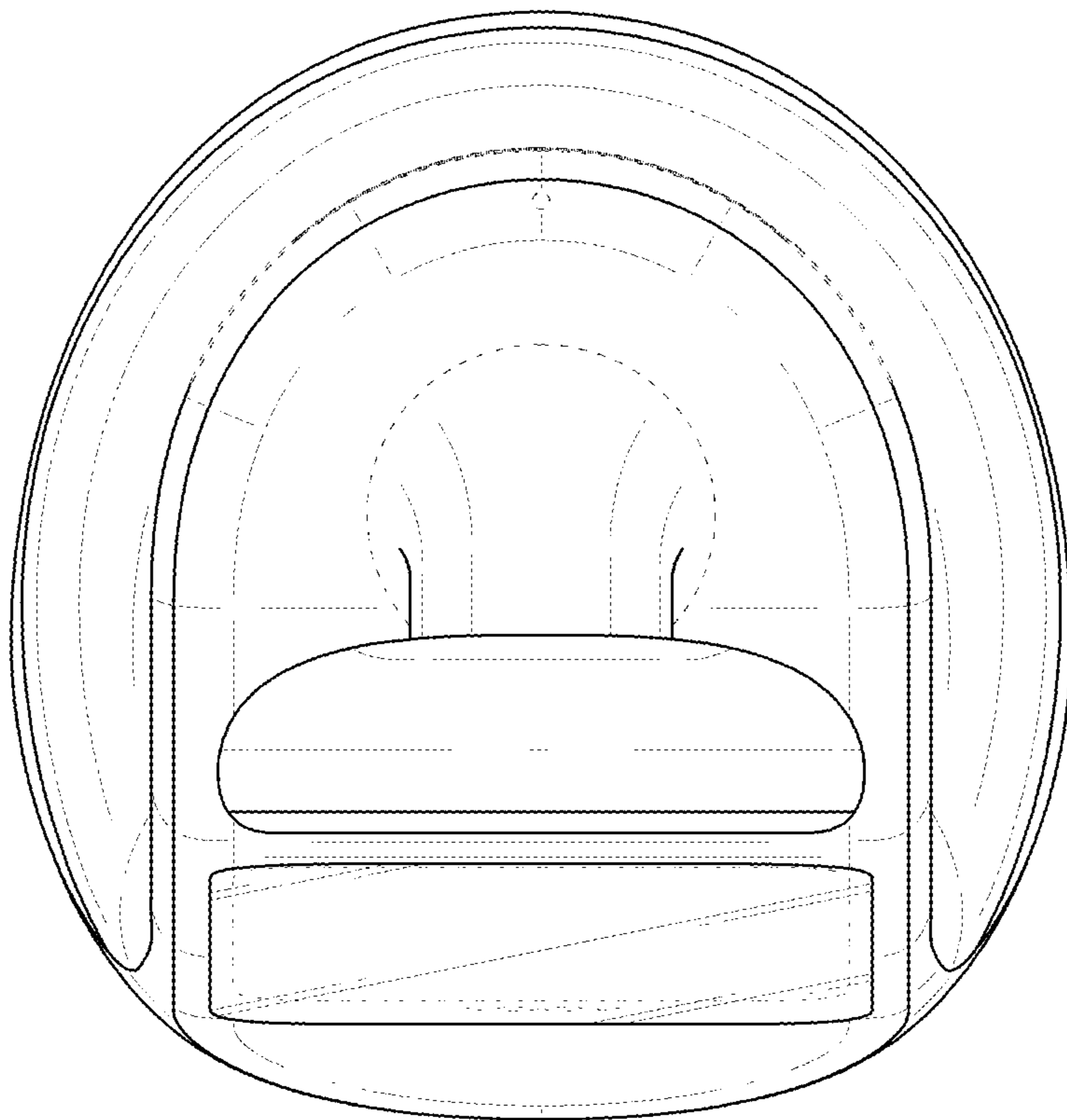


FIG. 7

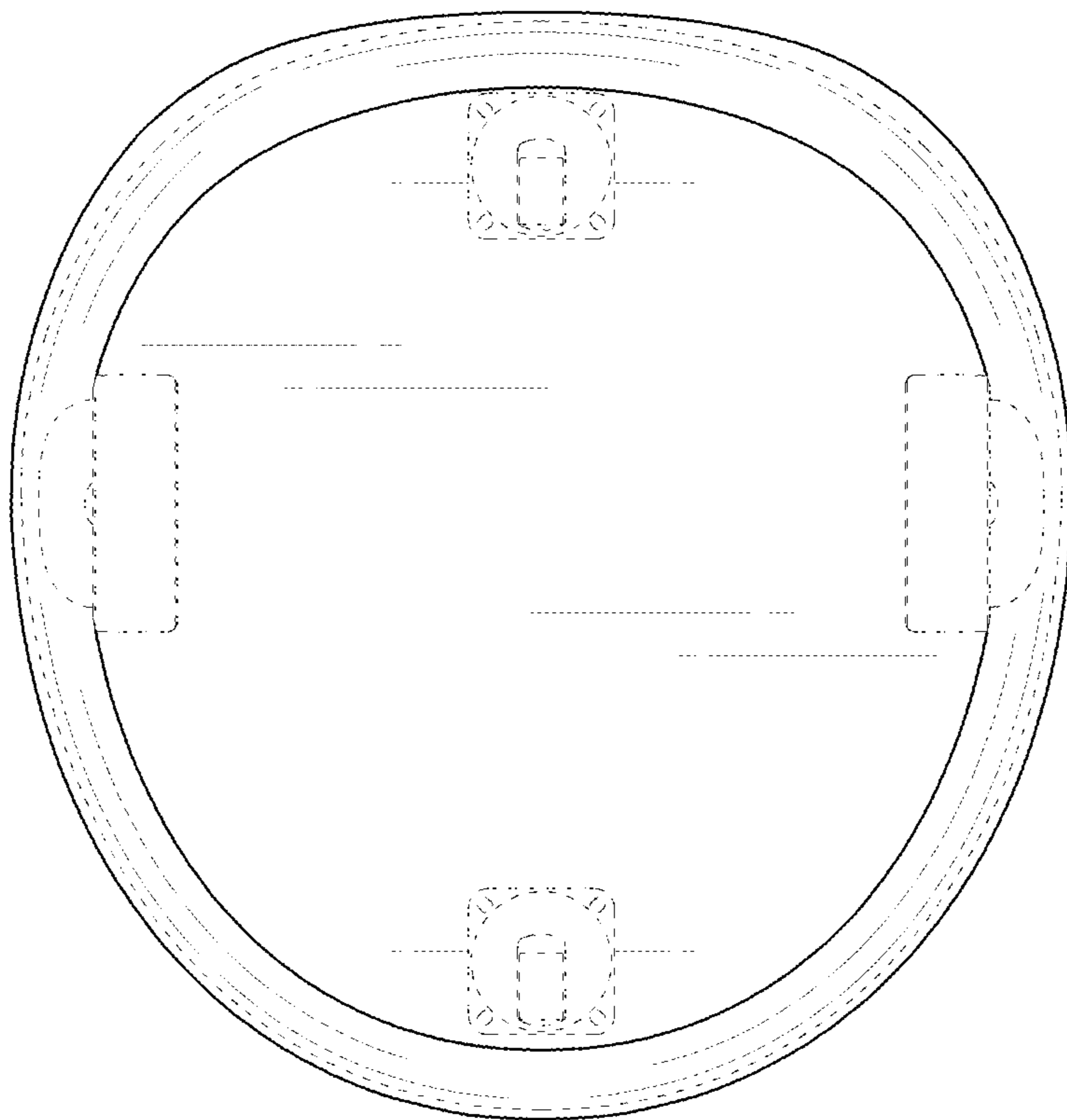


FIG. 8

