



US00D908150S

(12) **United States Design Patent** (10) **Patent No.:** **US D908,150 S**
Swank et al. (45) **Date of Patent:** **** Jan. 19, 2021**

(54) **WELDING CAP**
(71) Applicant: **LUVATA OHIO, INC.**, Delaware, OH (US)
(72) Inventors: **Brian E. Swank**, Delaware, OH (US); **David Antill**, Delaware, OH (US)
(73) Assignee: **LUVATA OHIO, INC.**, Delaware, OH (US)

D582,950 S 12/2008 Yamaguchi
7,538,294 B2 5/2009 Scotchmer
D654,104 S 2/2012 Fitzpatrick
8,299,388 B2 10/2012 Fleckenstein
8,381,591 B2 2/2013 Maev
D687,874 S 8/2013 Furujo
D690,336 S 9/2013 Gjertsen
8,785,807 B2 7/2014 Vanimisetti

(Continued)

Primary Examiner — Patricia A Palasik
(74) *Attorney, Agent, or Firm* — Hodgson Russ LLP

(**) Term: **15 Years**

(57) **CLAIM**

(21) Appl. No.: **29/734,108**

The ornamental design for a welding cap, as shown and described.

(22) Filed: **May 8, 2020**

DESCRIPTION

(51) **LOC (13) Cl.** **15-09**

(52) **U.S. Cl.**
USPC **D15/144**

(58) **Field of Classification Search**
USPC D15/144, 144.1, 144.2
CPC B23K 11/3018; B23K 35/0261; B23K 35/0205; B23K 35/222; B23K 35/32
See application file for complete search history.

FIG. 1 is a perspective view of a first embodiment of a welding cap, showing our new design;
FIG. 2 is a front elevation view thereof;
FIG. 3 is a rear elevation view thereof;
FIG. 4 is a left side elevation view thereof;
FIG. 5 is a right side elevation view thereof;
FIG. 6 is a top plan view thereof;
FIG. 7 is a bottom plan view thereof;
FIG. 8 is a cross-sectional view thereof, taken along 8-8 of FIG. 2;
FIG. 9 is a perspective view of a first embodiment of a welding cap, showing our new design;
FIG. 10 is a front elevation view thereof;
FIG. 11 is a rear elevation view thereof;
FIG. 12 is a left side elevation view thereof;
FIG. 13 is a right side elevation view thereof;
FIG. 14 is a top plan view thereof;
FIG. 15 is a bottom plan view thereof; and,
FIG. 16 is a cross-sectional view thereof, taken along 8-8 of FIG. 10.

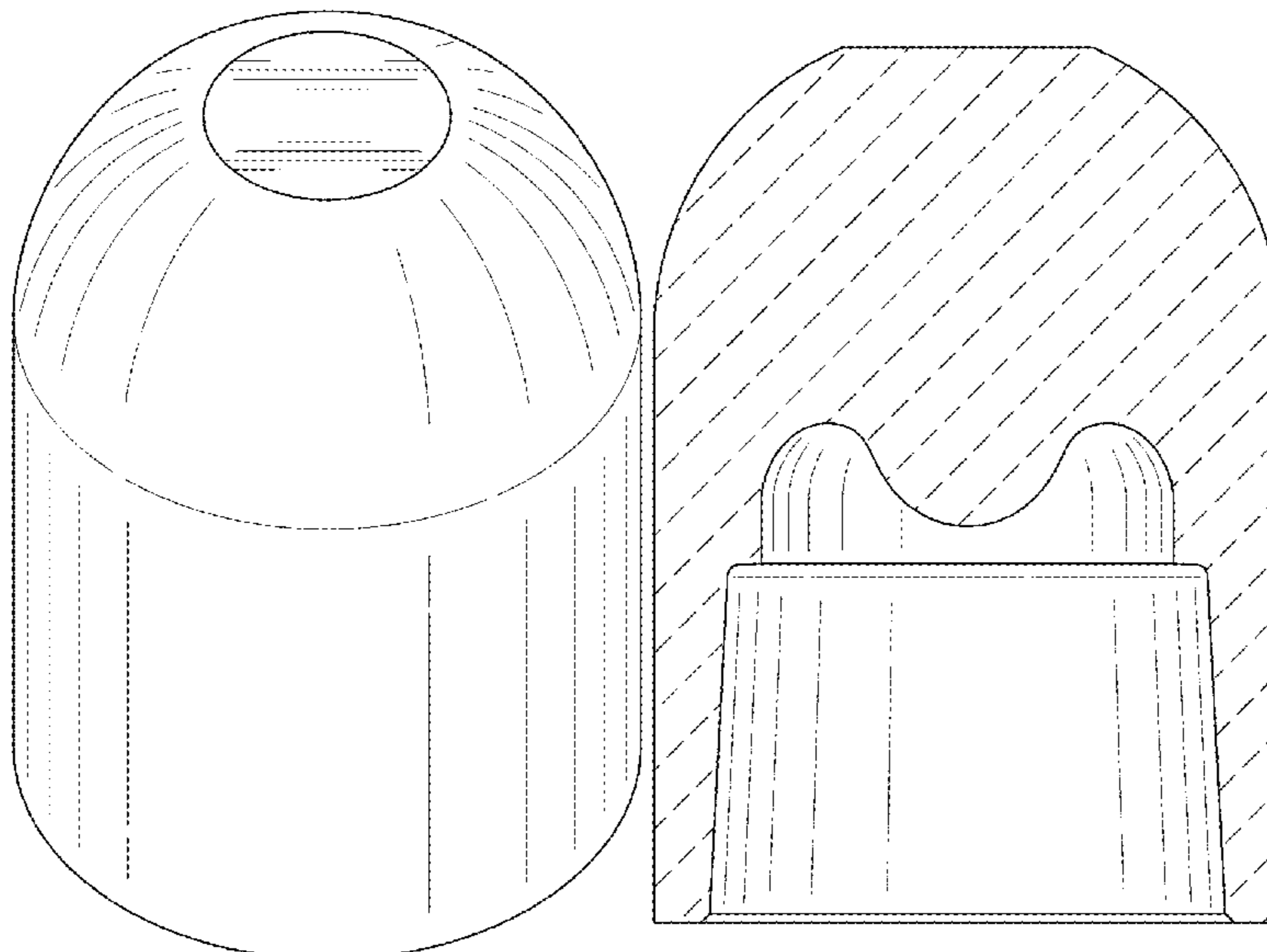
(56) **References Cited**

U.S. PATENT DOCUMENTS

2,402,646 A 6/1946 Leathers
D269,617 S 7/1983 Nippert
4,588,870 A 5/1986 Nadkarni
D290,807 S 7/1987 Nippert
5,021,627 A 6/1991 Bersch
D344,893 S 3/1994 Dwinell
D365,345 S 12/1995 Carkhuff
D384,682 S 10/1997 Turner
6,011,237 A 1/2000 Yang
6,646,221 B2 11/2003 Wang
D499,124 S 11/2004 Kuraoka
D524,336 S 7/2006 Conway
D527,401 S 8/2006 Mizuno
7,238,911 B2 7/2007 Stevenson
7,265,313 B2 9/2007 Stevenson

The broken lines in the figures illustrate portions of the welding cap that form no part of the claimed design.

1 Claim, 10 Drawing Sheets



(56)

References Cited

U.S. PATENT DOCUMENTS

D714,372 S	9/2014	Savill, Jr.	10,259,071 B2	4/2019	Sigler	
D719,200 S	12/2014	Hassan	D852,856 S	7/2019	Beagen	
D720,784 S	1/2015	Hassan	D861,758 S	10/2019	Severance, Jr.	
D726,794 S	4/2015	Kang	10,471,535 B2	11/2019	Prucher	
D728,648 S	5/2015	Kang	D877,219 S	3/2020	Miyazaki	
D728,649 S	5/2015	Hassan	2005/0077268 A1	4/2005	Vogt	
9,024,227 B2	5/2015	Carlson	2006/0124697 A1	6/2006	Stevenson	
D735,787 S	8/2015	Hassan	2007/0075049 A1 *	4/2007	Stevenson	B23K 11/3054
D762,253 S	7/2016	Ishikawa				219/120
D763,816 S	8/2016	Hassan	2008/0257385 A1 *	10/2008	Schubert	B23K 11/3063
D763,935 S	8/2016	Hassan				134/17
D776,730 S	1/2017	Yamaguchi	2014/0231396 A1	8/2014	Yang	
9,566,660 B2	2/2017	Holzhauser	2015/0336199 A1 *	11/2015	Prucher	B23K 11/3054
D784,432 S	4/2017	Yamaguchi				219/119
9,662,738 B2	5/2017	Vanimisetti	2016/0101487 A1	4/2016	Ogura	
9,676,065 B2	6/2017	Sigler	2017/0361392 A1	12/2017	Sigler	
D802,034 S	11/2017	Yamaguchi	2018/0036829 A1 *	2/2018	Suzuki	B23K 11/3054
D809,579 S	2/2018	Buss	2019/0076955 A1	3/2019	Wang	
10,010,966 B2	7/2018	Yang	2019/0099830 A1 *	4/2019	Smith	B23K 9/0956
			2019/0184487 A1	6/2019	Prucher	

* cited by examiner

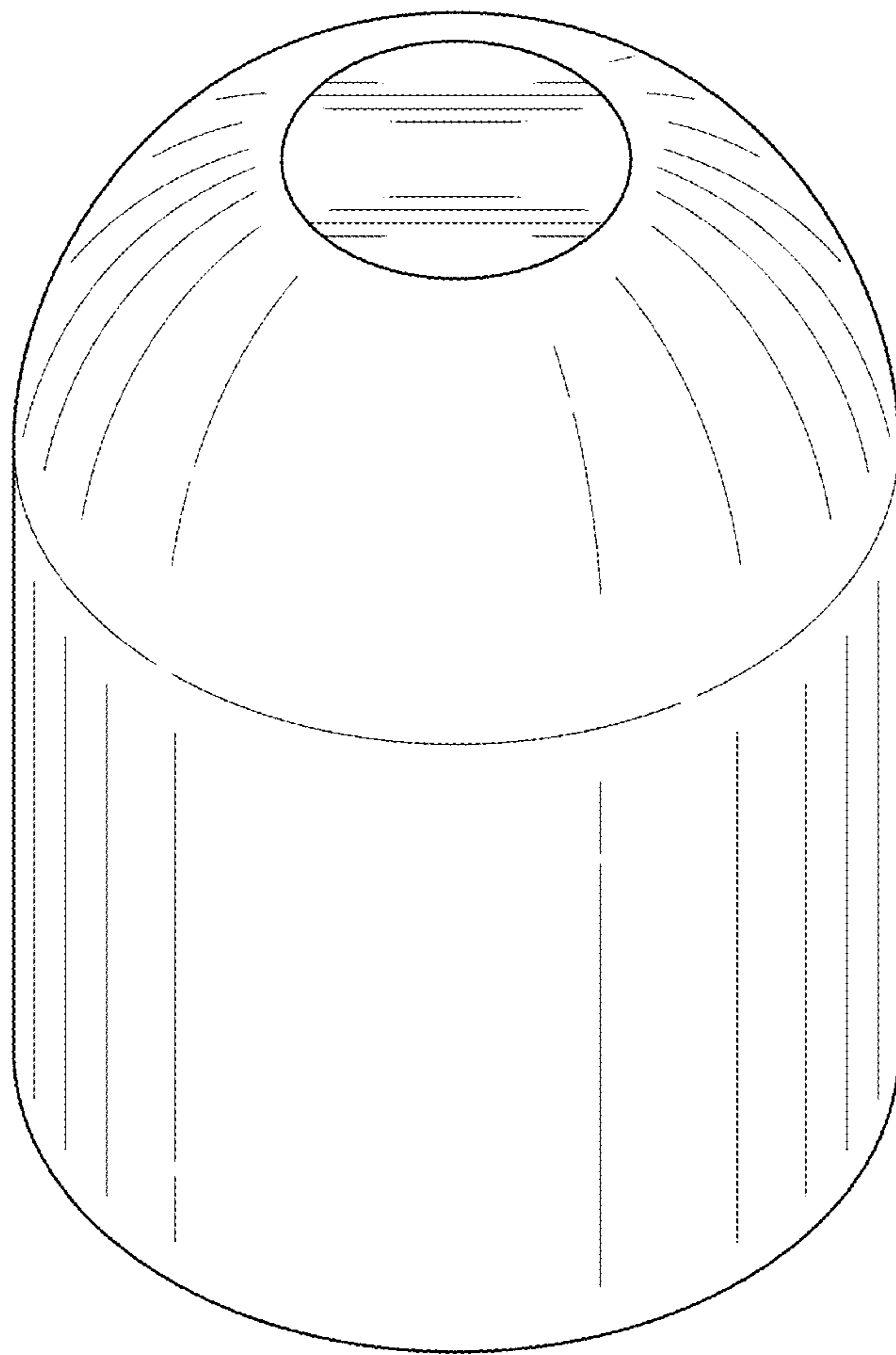


FIG. 1

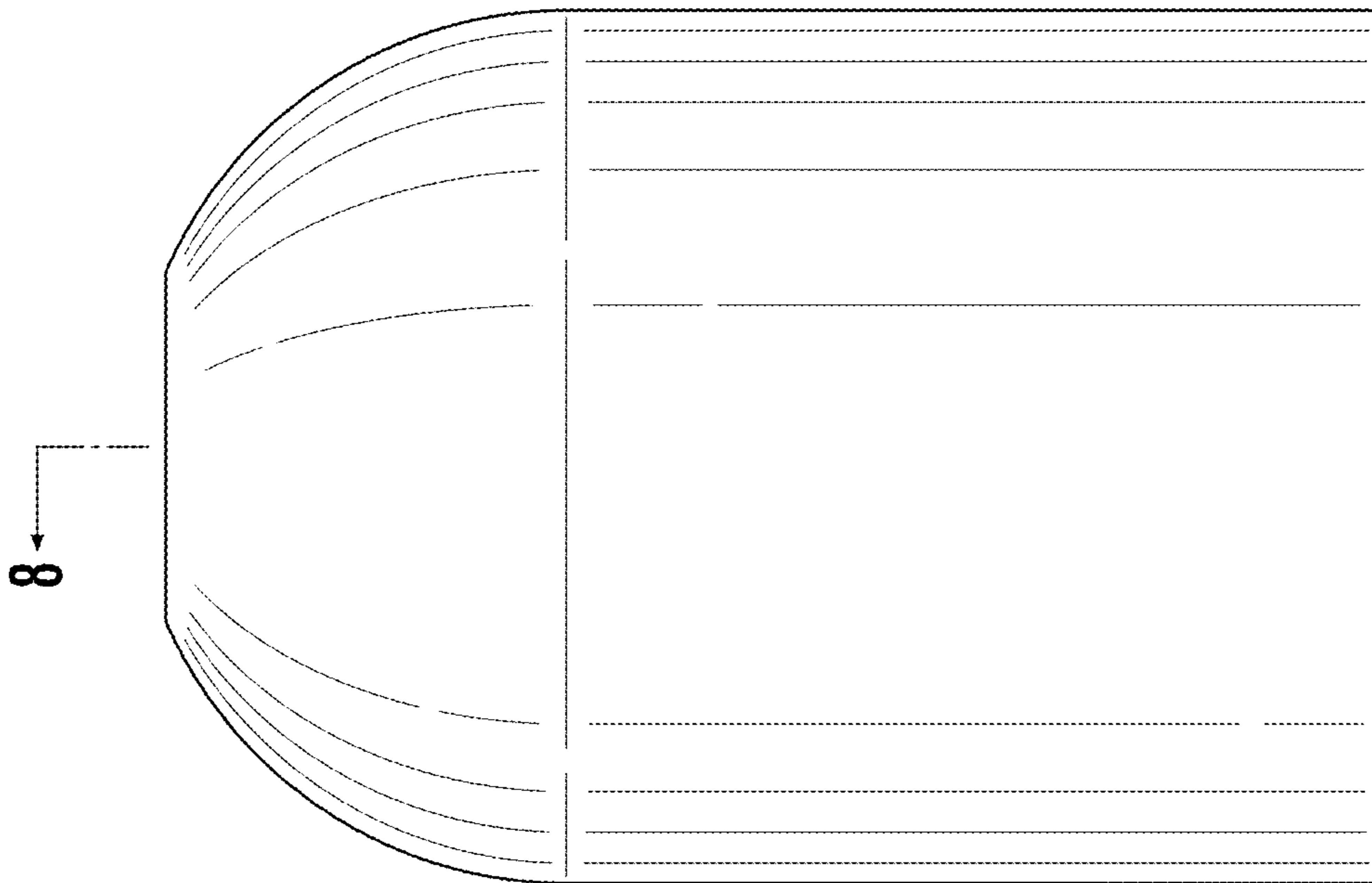


FIG. 2

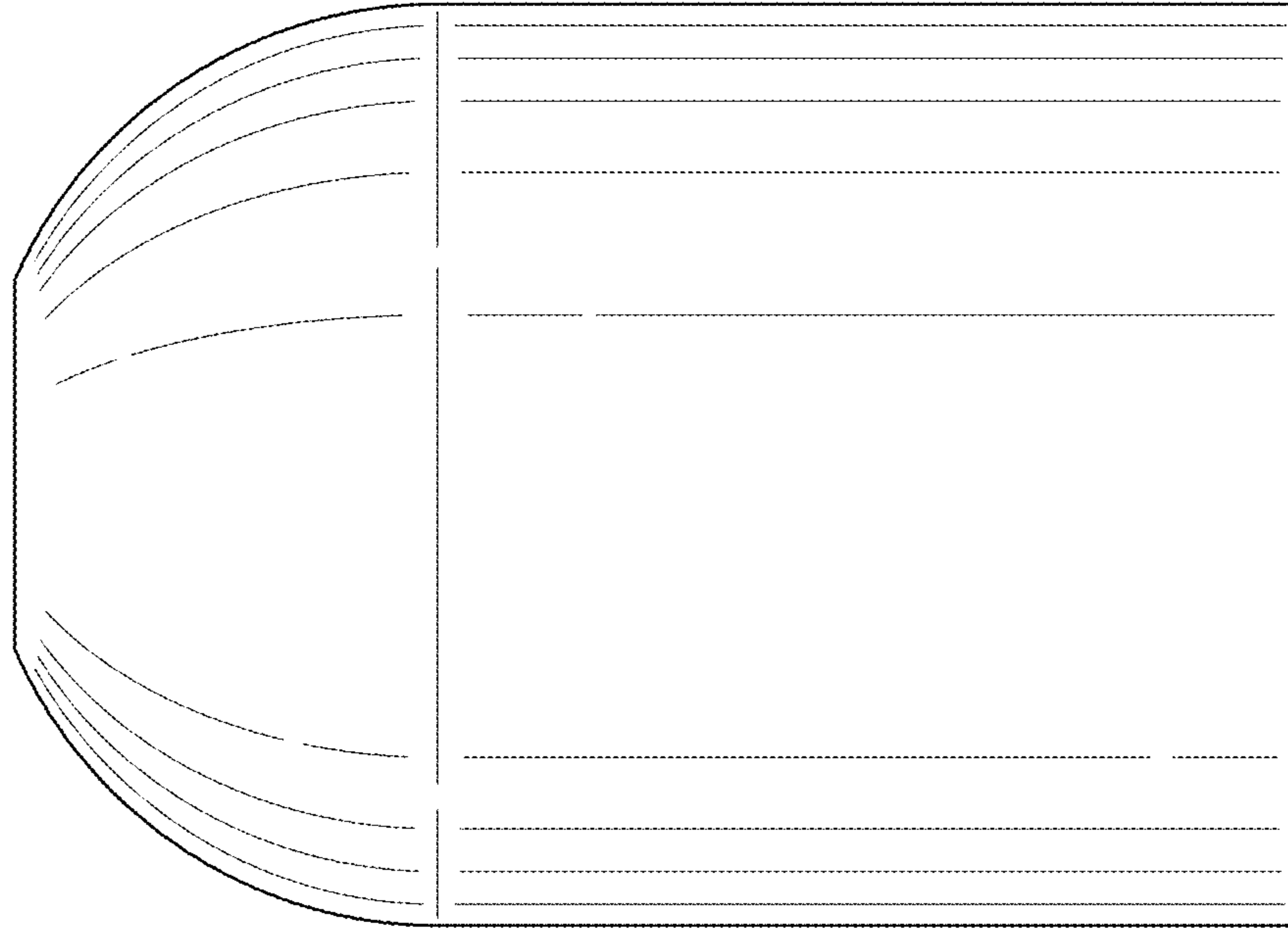


FIG. 3

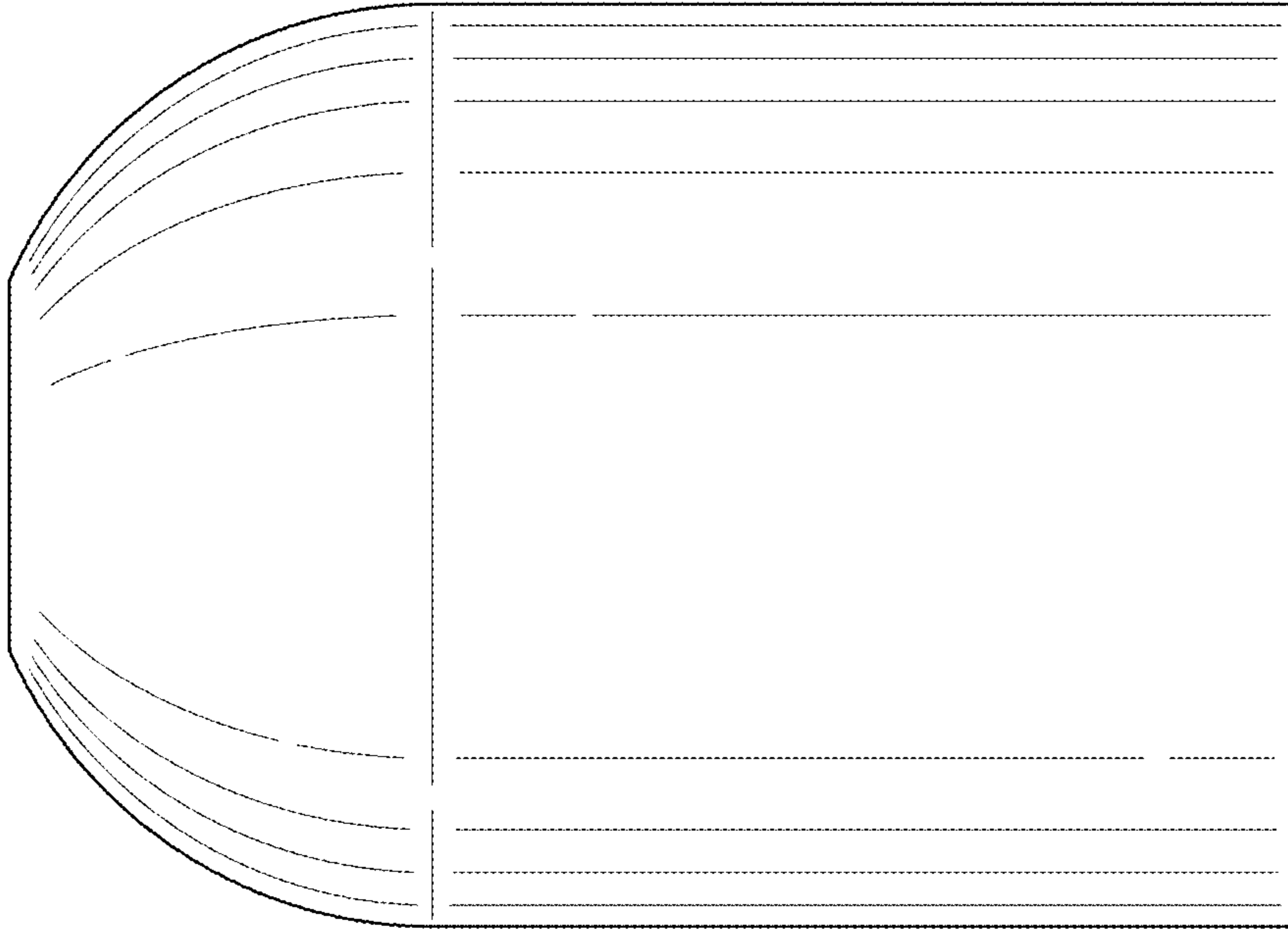


FIG. 5

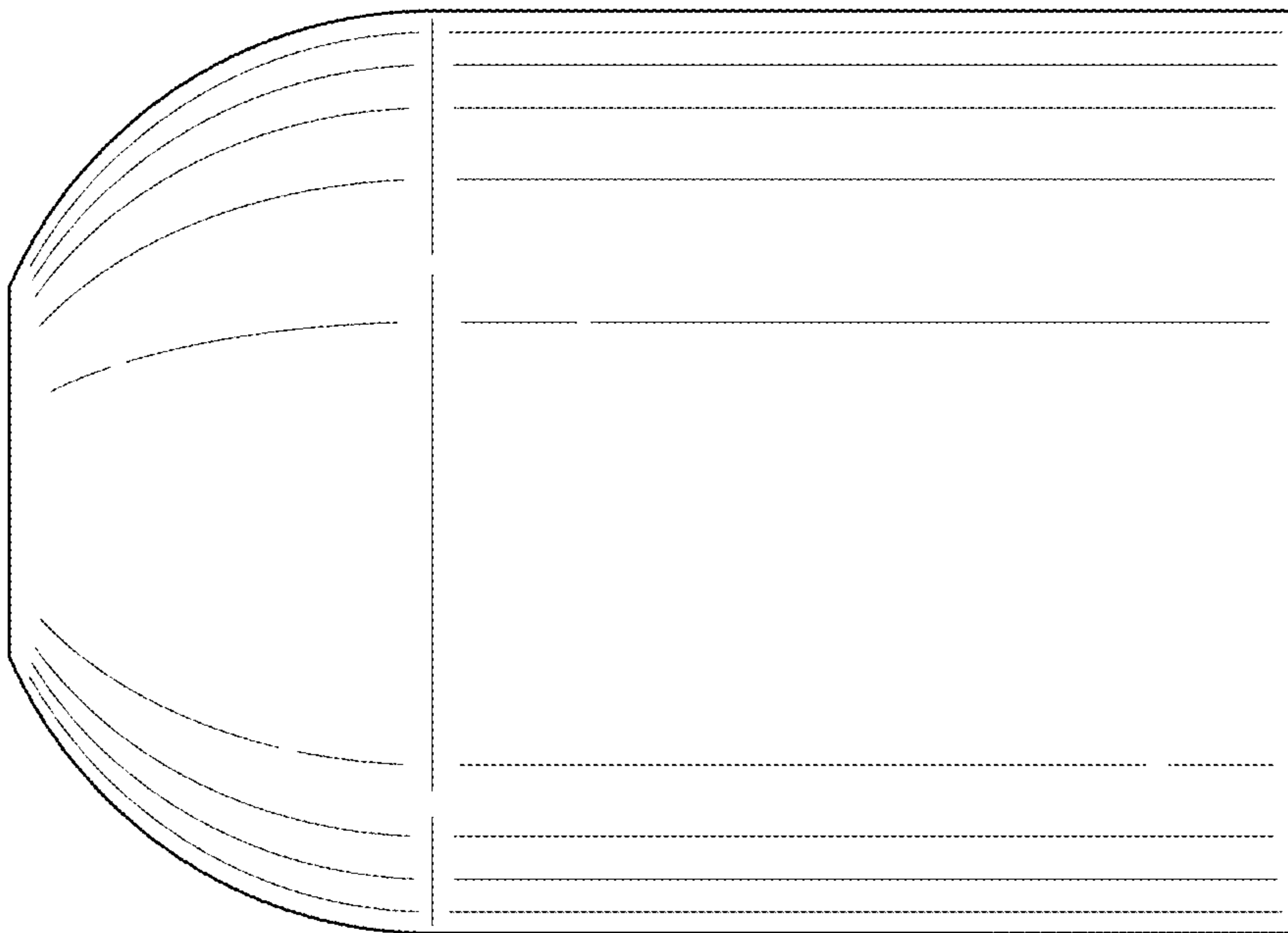


FIG. 4

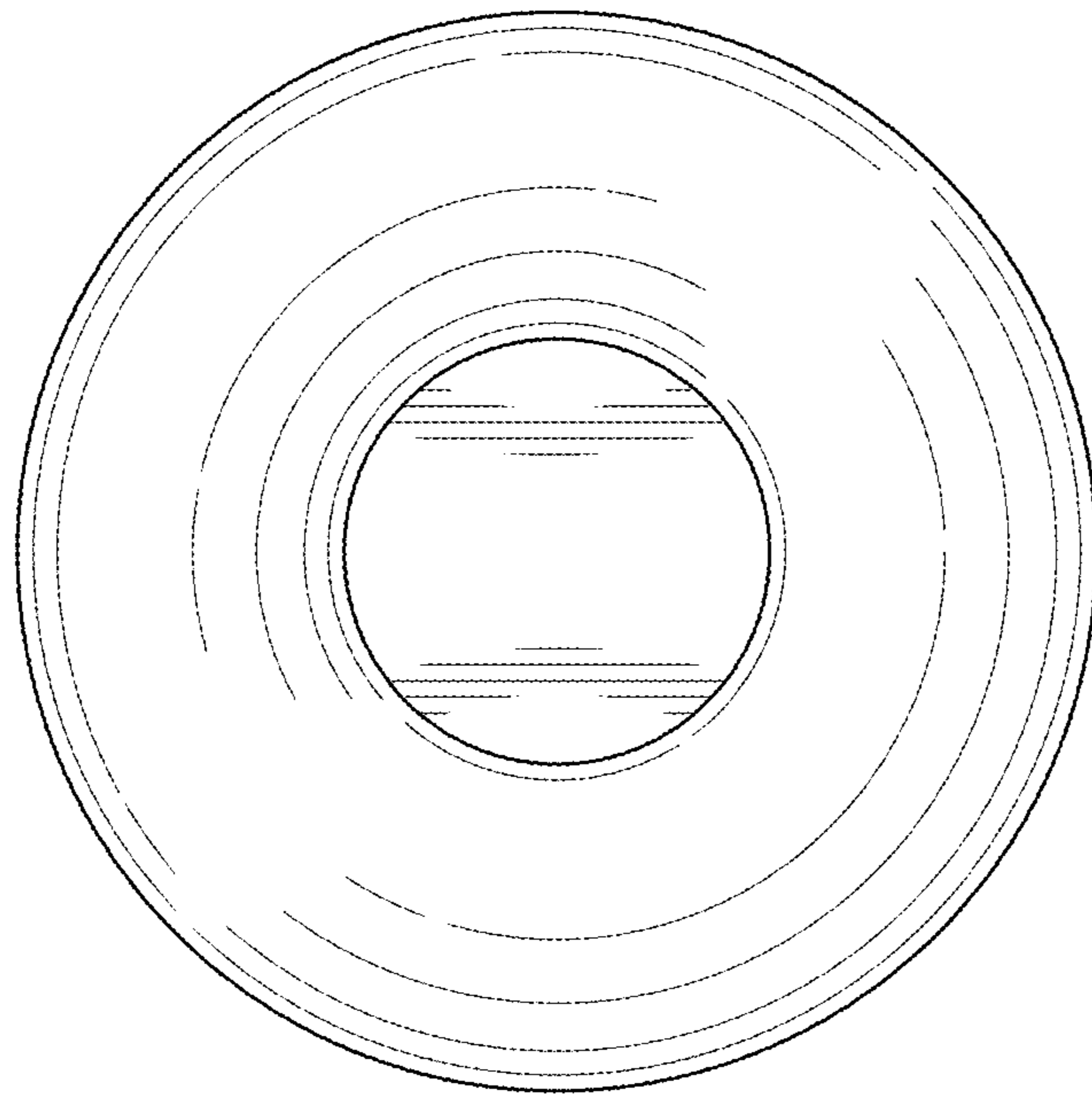


FIG. 6

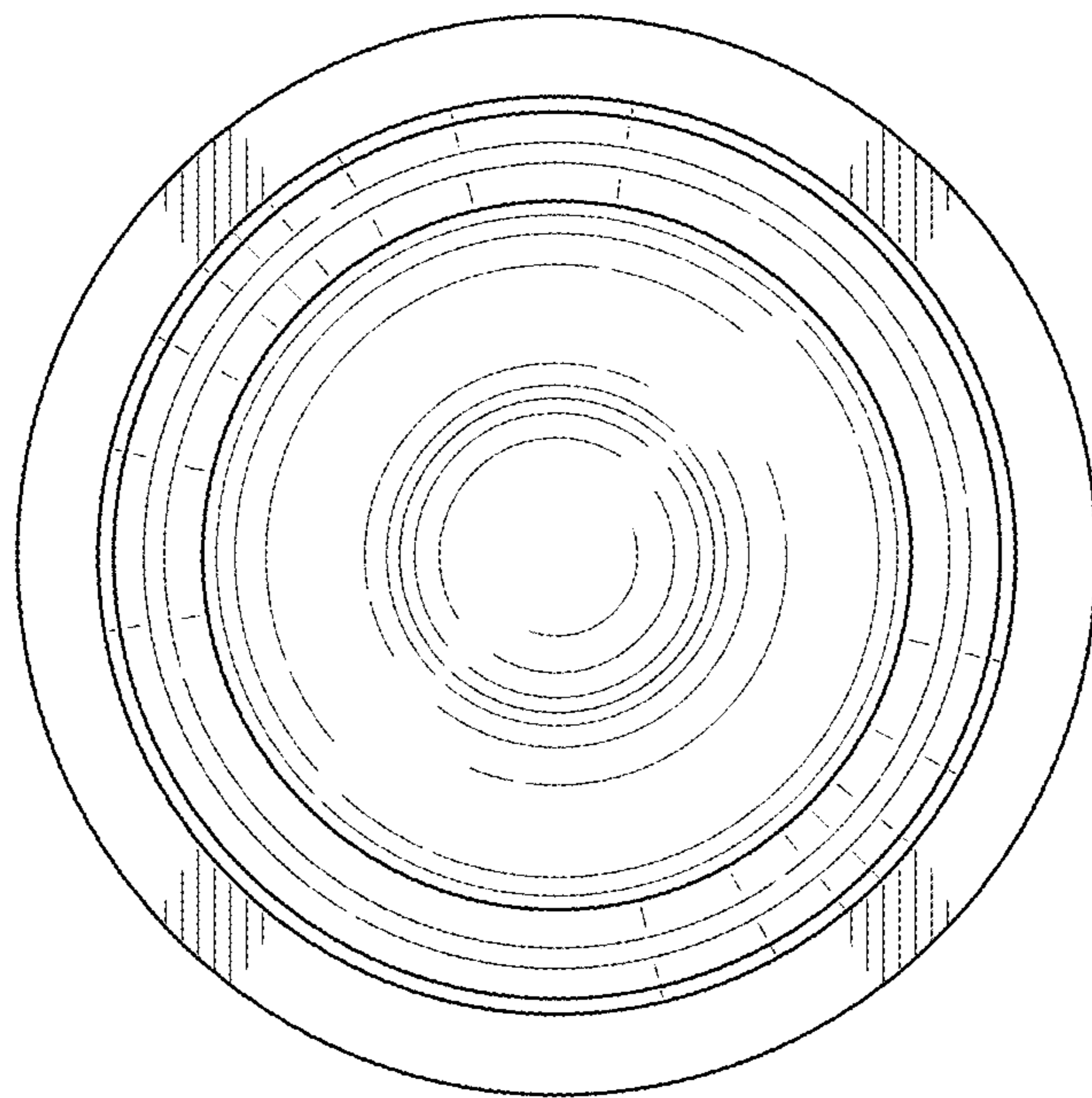


FIG. 7

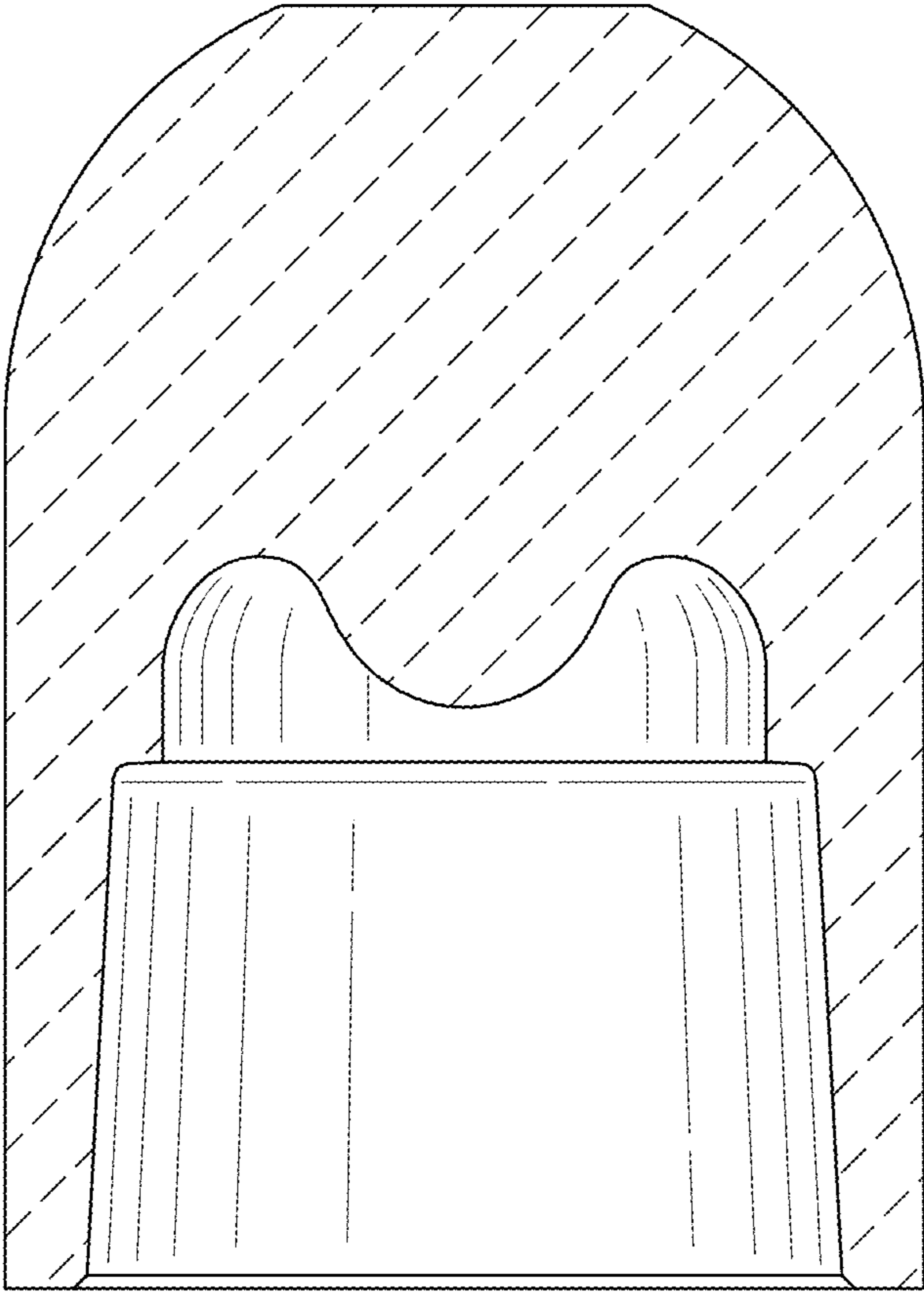


FIG. 8

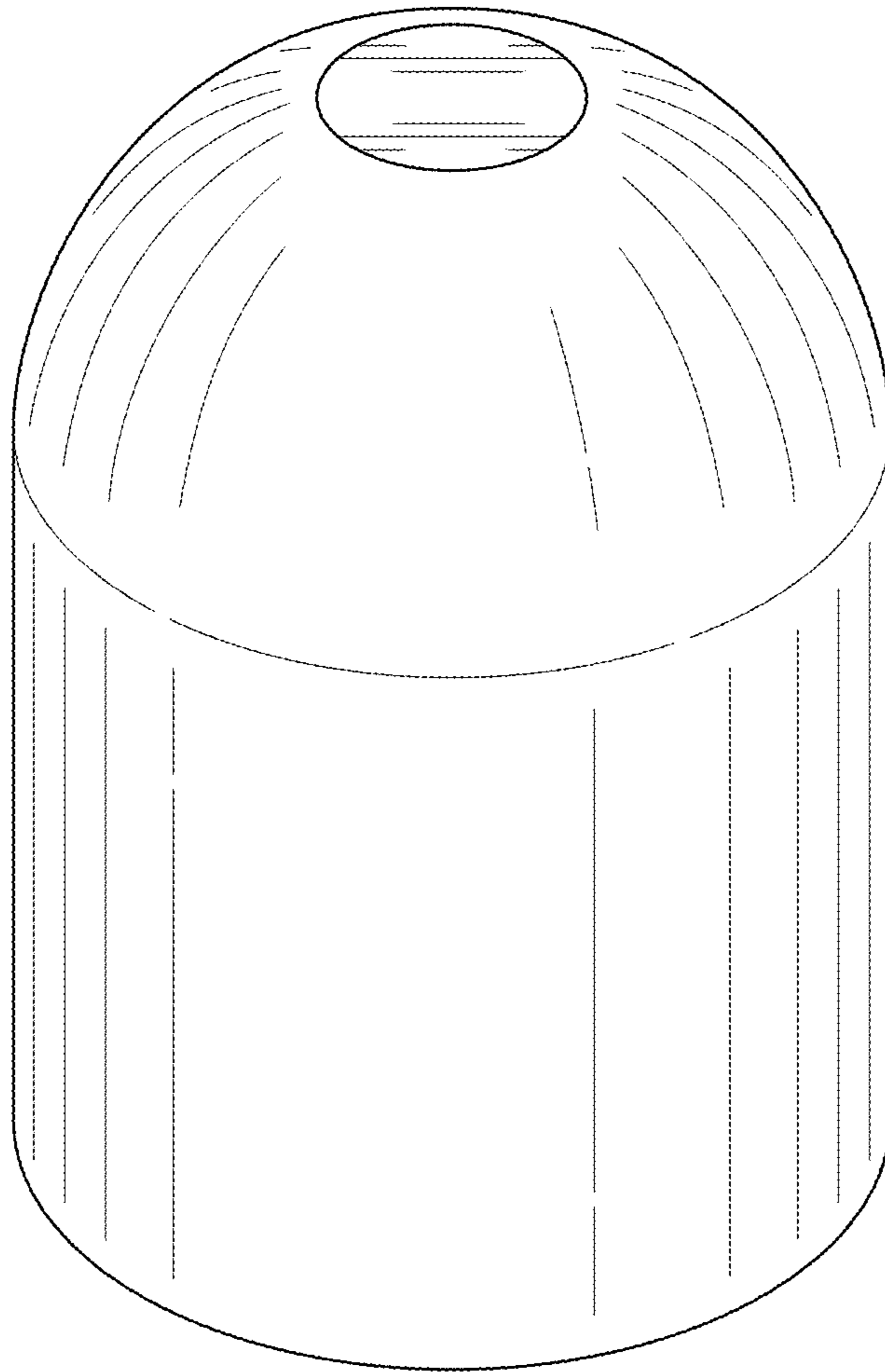


FIG. 9

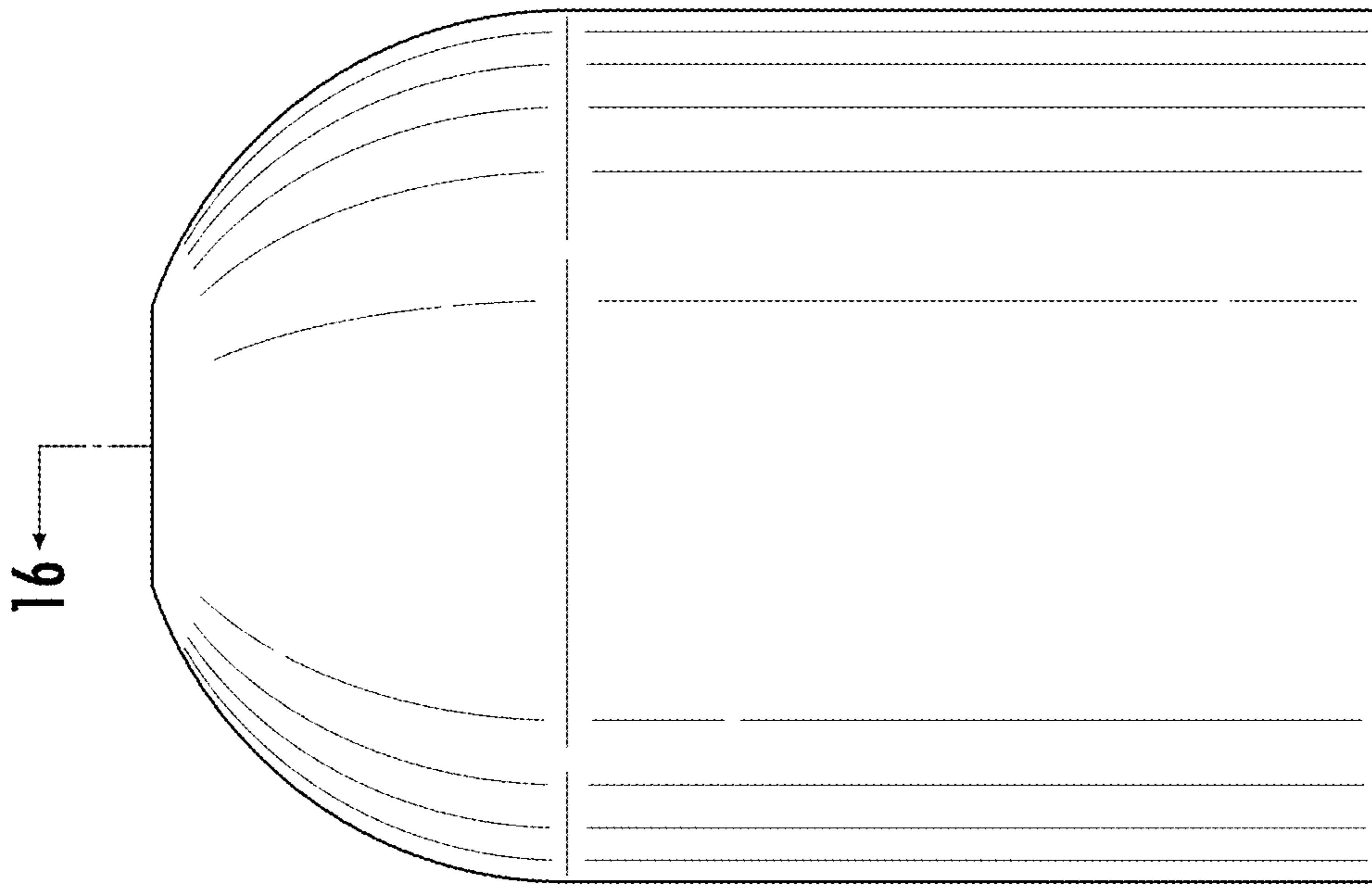


FIG. 10

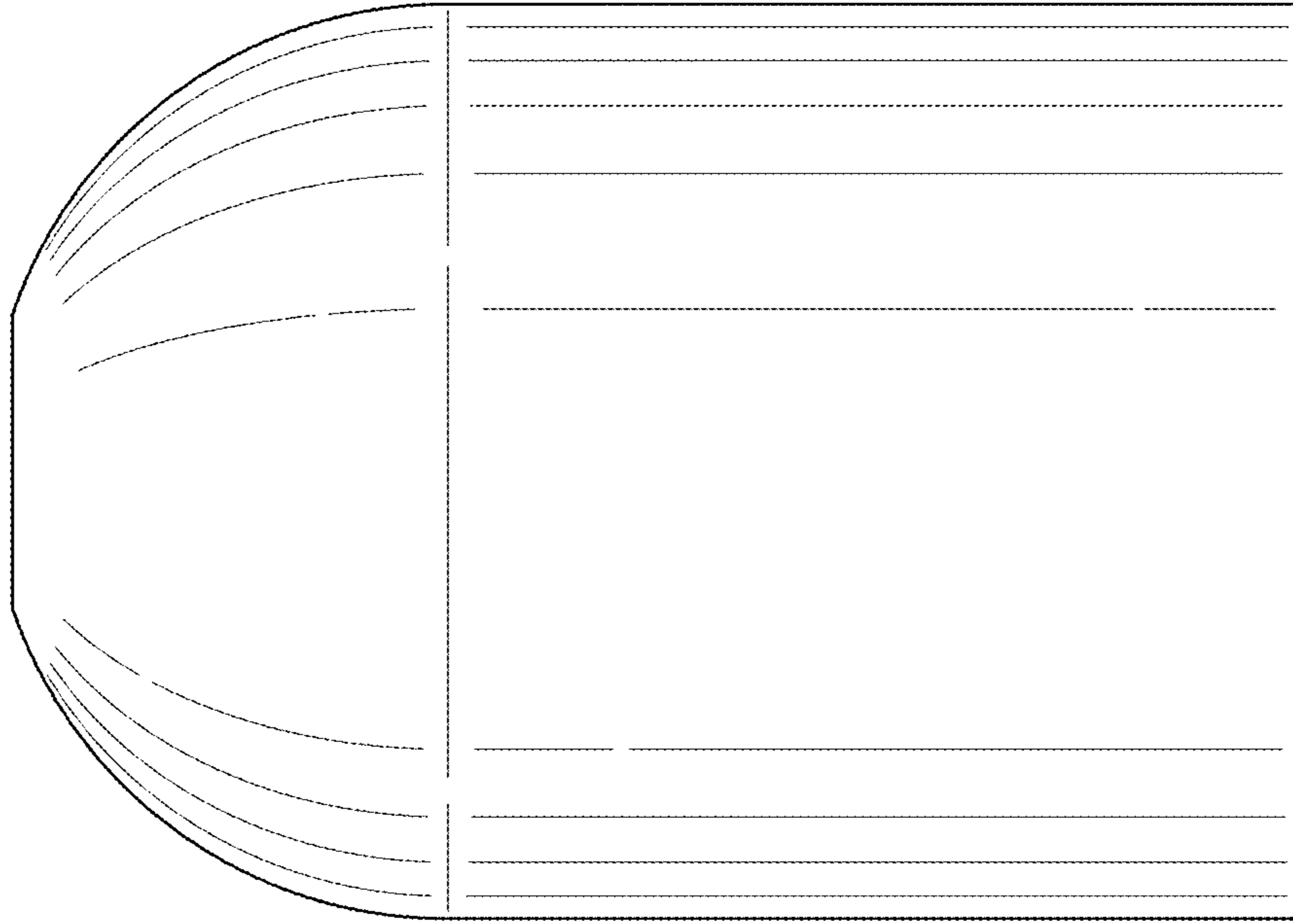


FIG. 11

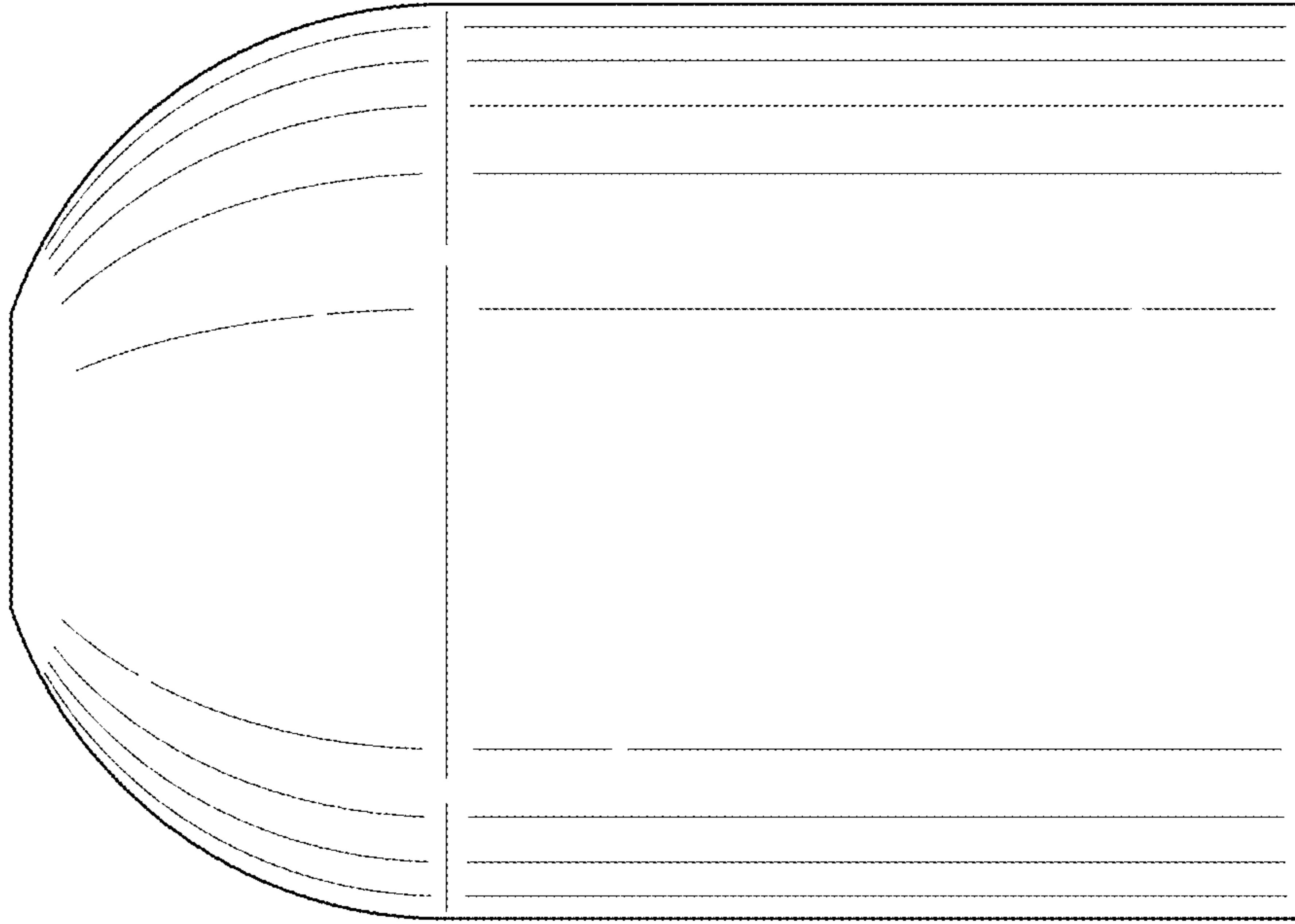


FIG. 12

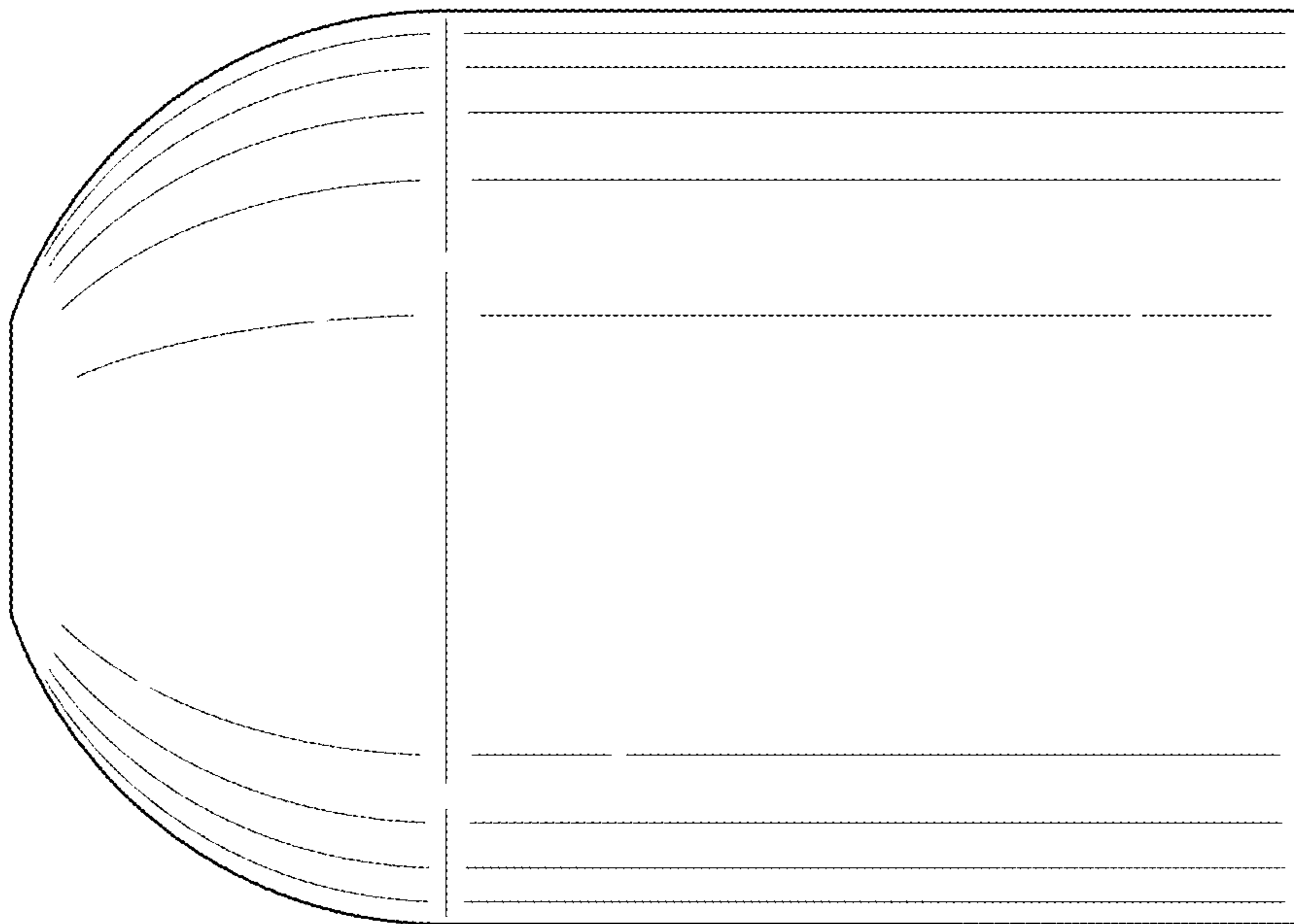


FIG. 13

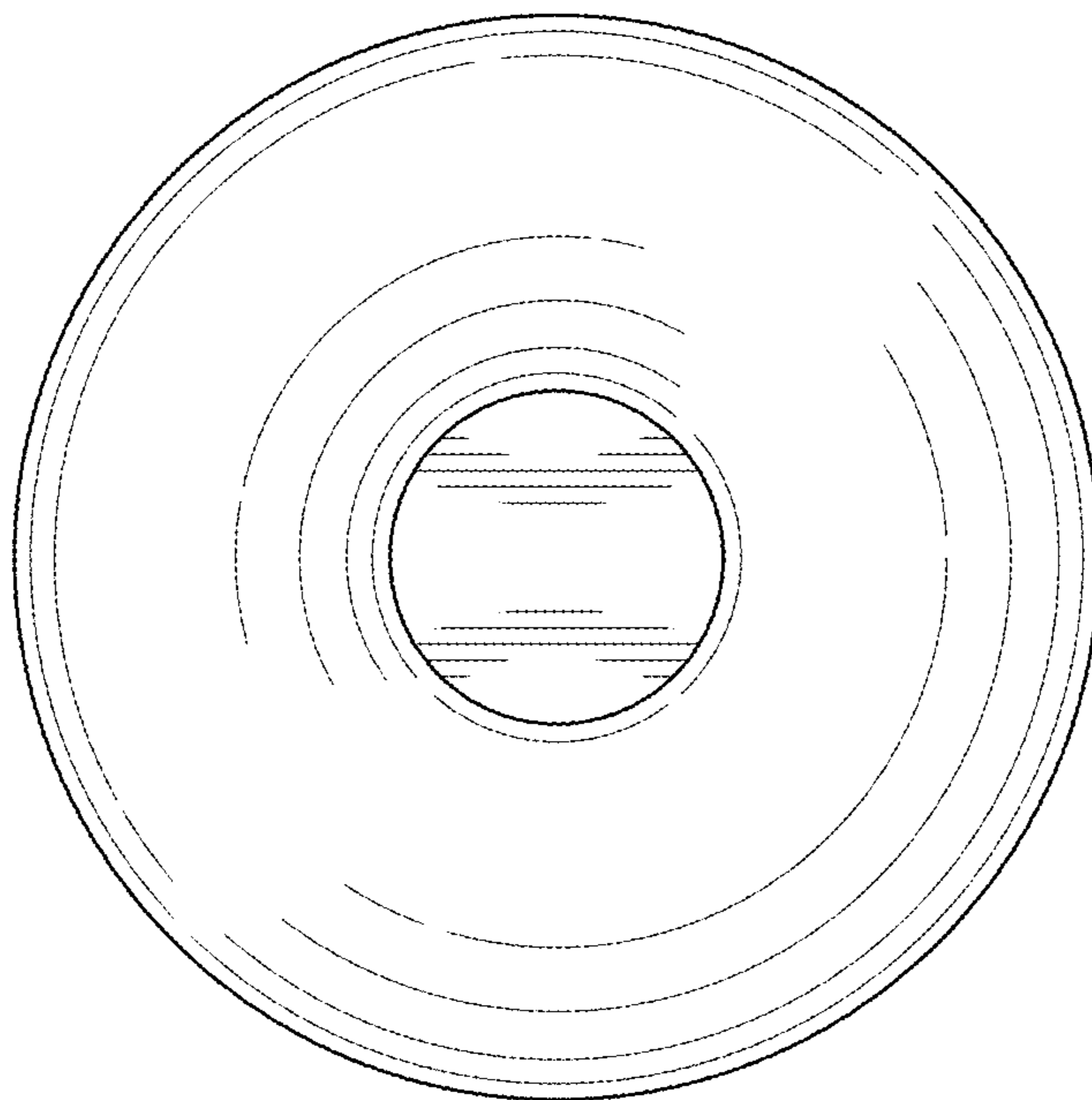


FIG. 14

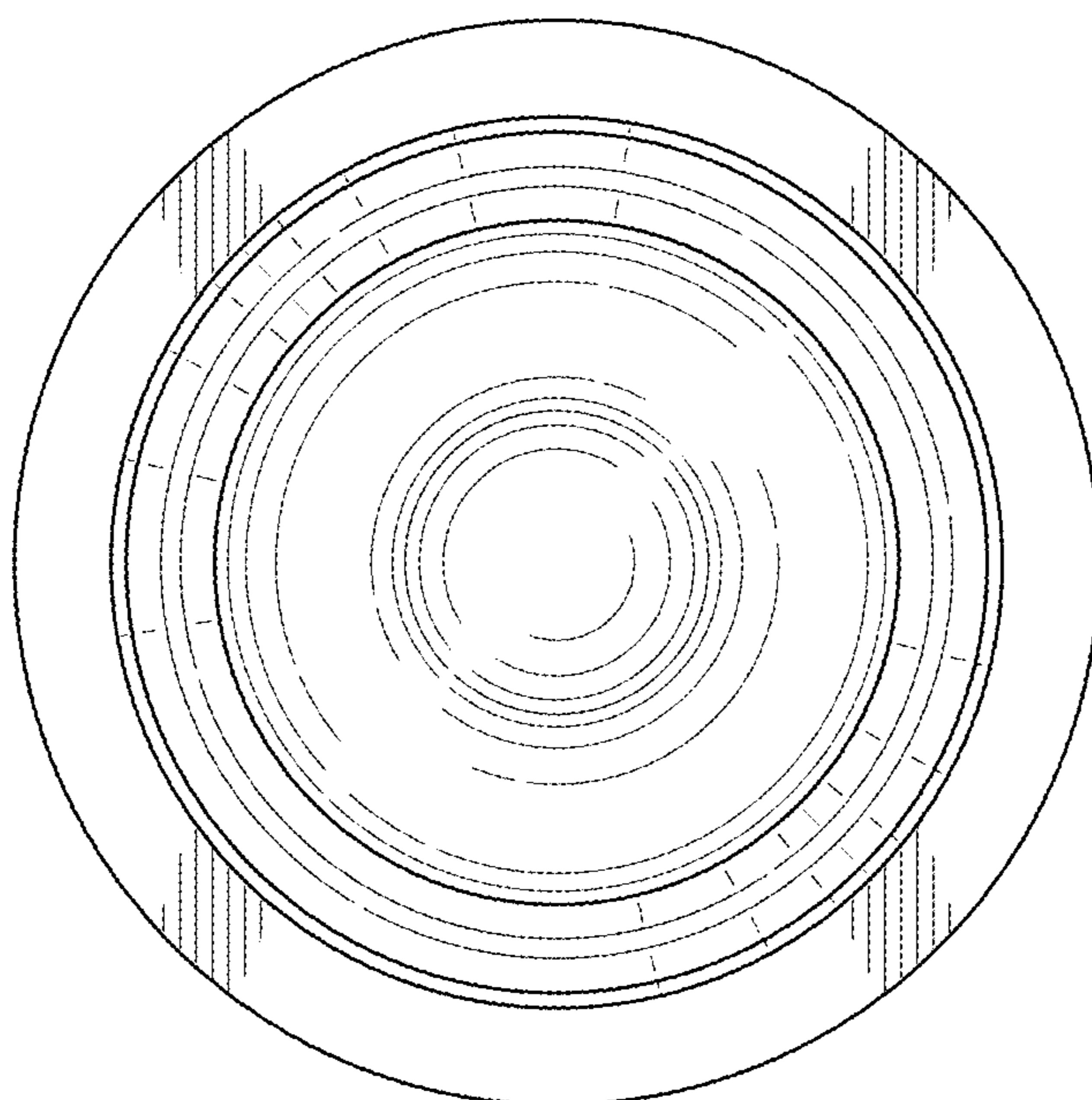


FIG. 15

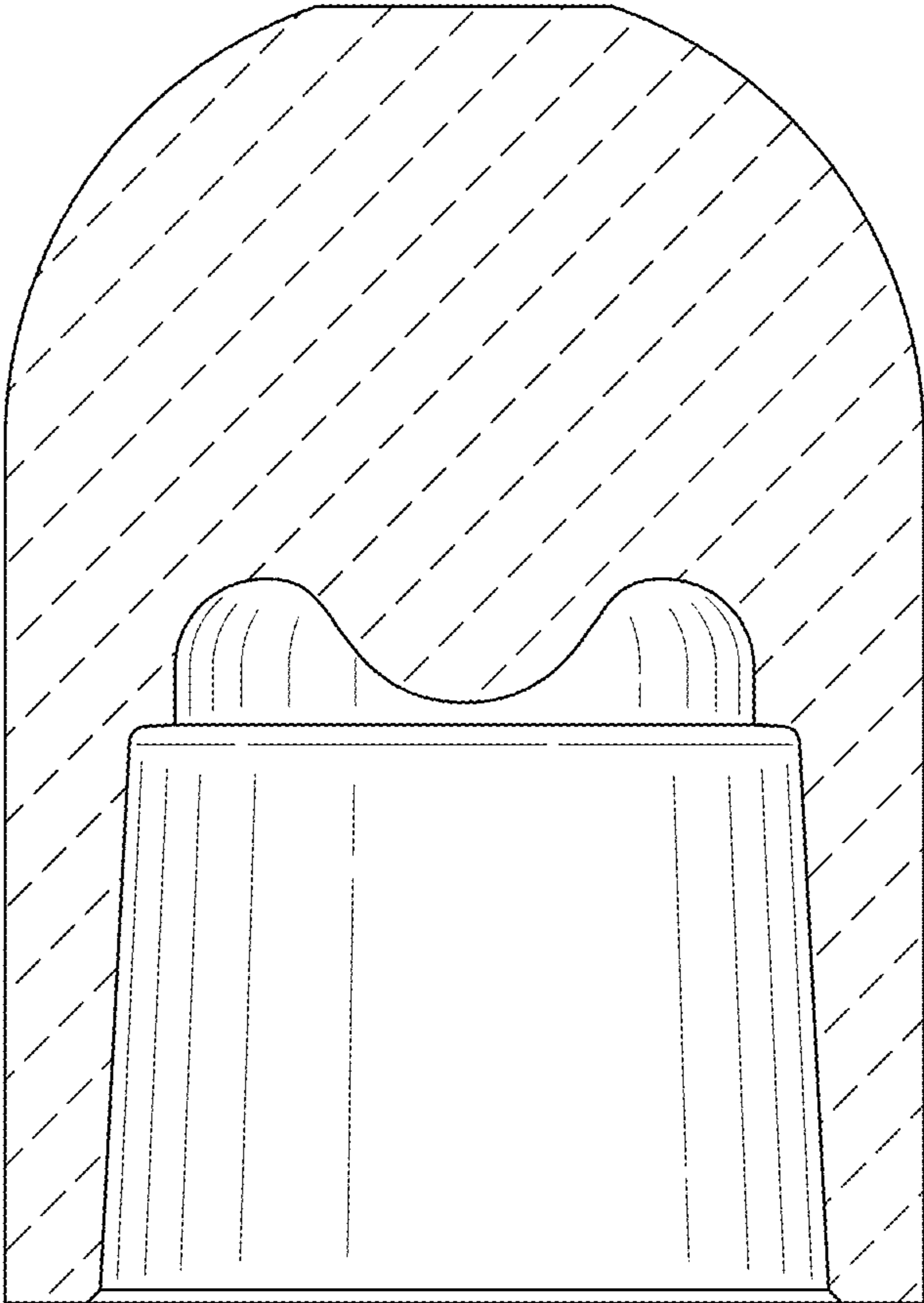


FIG. 16