



US00D908148S

(12) **United States Design Patent**
Chann et al.

(10) **Patent No.:** **US D908,148 S**

(45) **Date of Patent:** **** Jan. 19, 2021**

(54) **LASER ENGINE WITH MULTIPLE
RESONATORS**

(71) Applicant: **PANASONIC INTELLECTUAL
PROPERTY MANAGEMENT CO.
LTD**, Osaka (JP)

(72) Inventors: **Bien Chann**, Merrimack, NH (US);
Bryan Lochman, Somerville, MA
(US); **Mark Mordarski**, Tewksbury,
MA (US); **Matthew Sauter**, Boston,
MA (US)

(73) Assignee: **PANASONIC INTELLECTUAL
PROPERTY MANAGEMENT CO.
LTD**, Osaka (JP)

(**) Term: **15 Years**

(21) Appl. No.: **29/658,599**

(22) Filed: **Aug. 1, 2018**

(51) **LOC (13) Cl.** **15-09**

(52) **U.S. Cl.**
USPC **D15/127**

(58) **Field of Classification Search**
USPC D15/122, 127, 199
CPC H01S 3/036; H01S 3/073
See application file for complete search history.

(56) **References Cited**

U.S. PATENT DOCUMENTS

- 5,610,692 A * 3/1997 Trask G03G 15/0126
399/262
- 5,659,459 A * 8/1997 Wakabayashi B41J 29/377
174/51
- D647,929 S * 11/2011 Mesropyan D15/199
- 2006/0243238 A1* 11/2006 Anezaki F02D 35/022
123/143 B
- 2009/0274176 A1* 11/2009 O'Shaughnessy ... G01N 21/255
372/9

- 2009/0284913 A1* 11/2009 Wakabayashi H04L 65/607
361/679.54
- 2009/0285256 A1* 11/2009 Adamkiewicz H01S 3/025
372/107
- 2010/0195679 A1* 8/2010 Kroupa H01S 3/0941
372/10
- 2010/0270273 A1* 10/2010 Sekiya B23K 26/0853
219/121.6

(Continued)

Primary Examiner — Patricia A Palasik

(74) *Attorney, Agent, or Firm* — Morgan, Lewis &
Bockius LLP

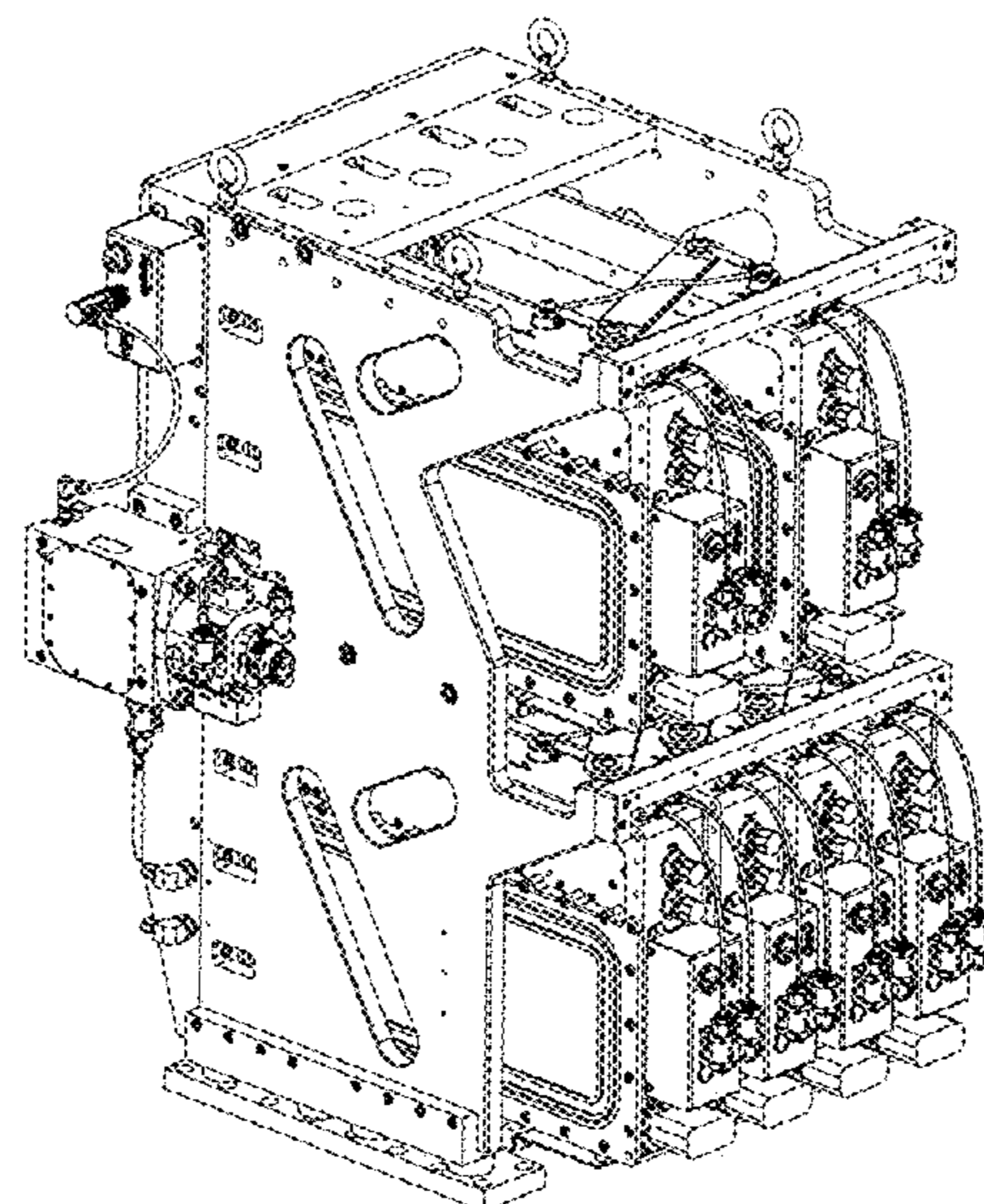
(57) **CLAIM**

The ornamental design for a laser engine with multiple resonators, as shown and described.

DESCRIPTION

FIG. 1 is a perspective view of a laser engine with multiple laser resonators incorporating the design in a first embodiment incorporating six laser resonators;
 FIG. 2 is a front view of the embodiment of FIG. 1;
 FIG. 3 is a back view of the embodiment of FIG. 1;
 FIG. 4 is a left-side elevation view of the embodiment of FIG. 1;
 FIG. 5 is a right-side elevation view of the embodiment of FIG. 1;
 FIG. 6 is a top view of the embodiment of FIG. 1;
 FIG. 7 is a bottom view of the embodiment of FIG. 1;
 FIG. 8 is a perspective view of a laser engine with multiple laser resonators incorporating the design in a second embodiment incorporating six laser resonators and a beam-shaping module;
 FIG. 9 is a front view of the embodiment of FIG. 8;
 FIG. 10 is a back view of the embodiment of FIG. 8;
 FIG. 11 is a right-side elevation view of the embodiment of FIG. 8, the left-side elevation view being identical to FIG. 4;
 FIG. 12 is a top view of the embodiment of FIG. 8; and,
 FIG. 13 is a bottom view of the embodiment of FIG. 8.

1 Claim, 13 Drawing Sheets



(56)

References Cited

U.S. PATENT DOCUMENTS

2014/0041612 A1* 2/2014 Furutani F02P 23/04
123/143 B
2014/0200636 A1* 7/2014 Reichert A61N 5/0616
607/89
2016/0028210 A1* 1/2016 O'Shaughnessy H01S 3/2383
372/34
2016/0094009 A1* 3/2016 Izumiya H01S 3/1611
123/143 B
2017/0250516 A1* 8/2017 Kiyosawa H01S 3/094
2018/0348453 A1* 12/2018 Lee G02B 6/421

* cited by examiner

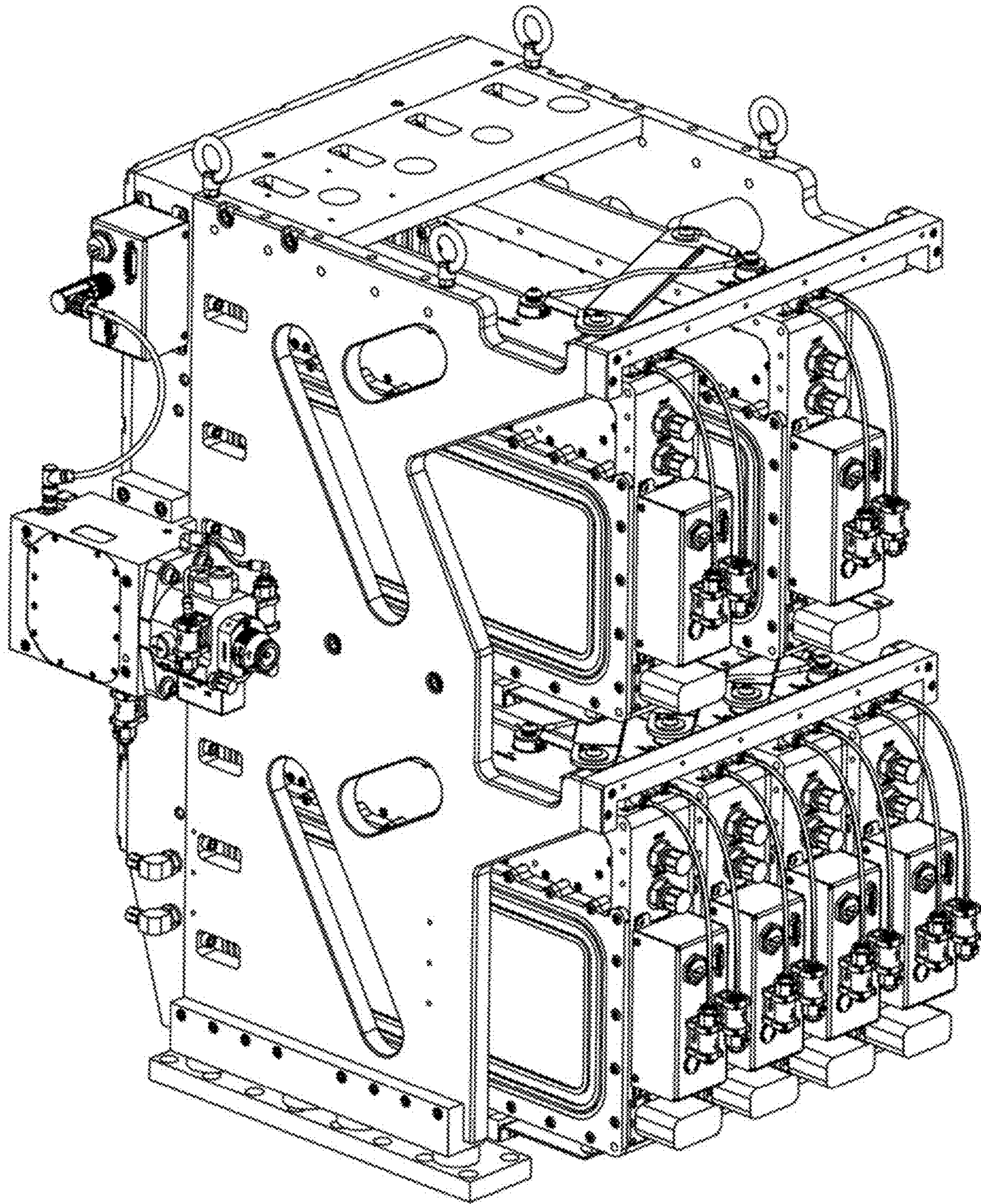


FIG. 1

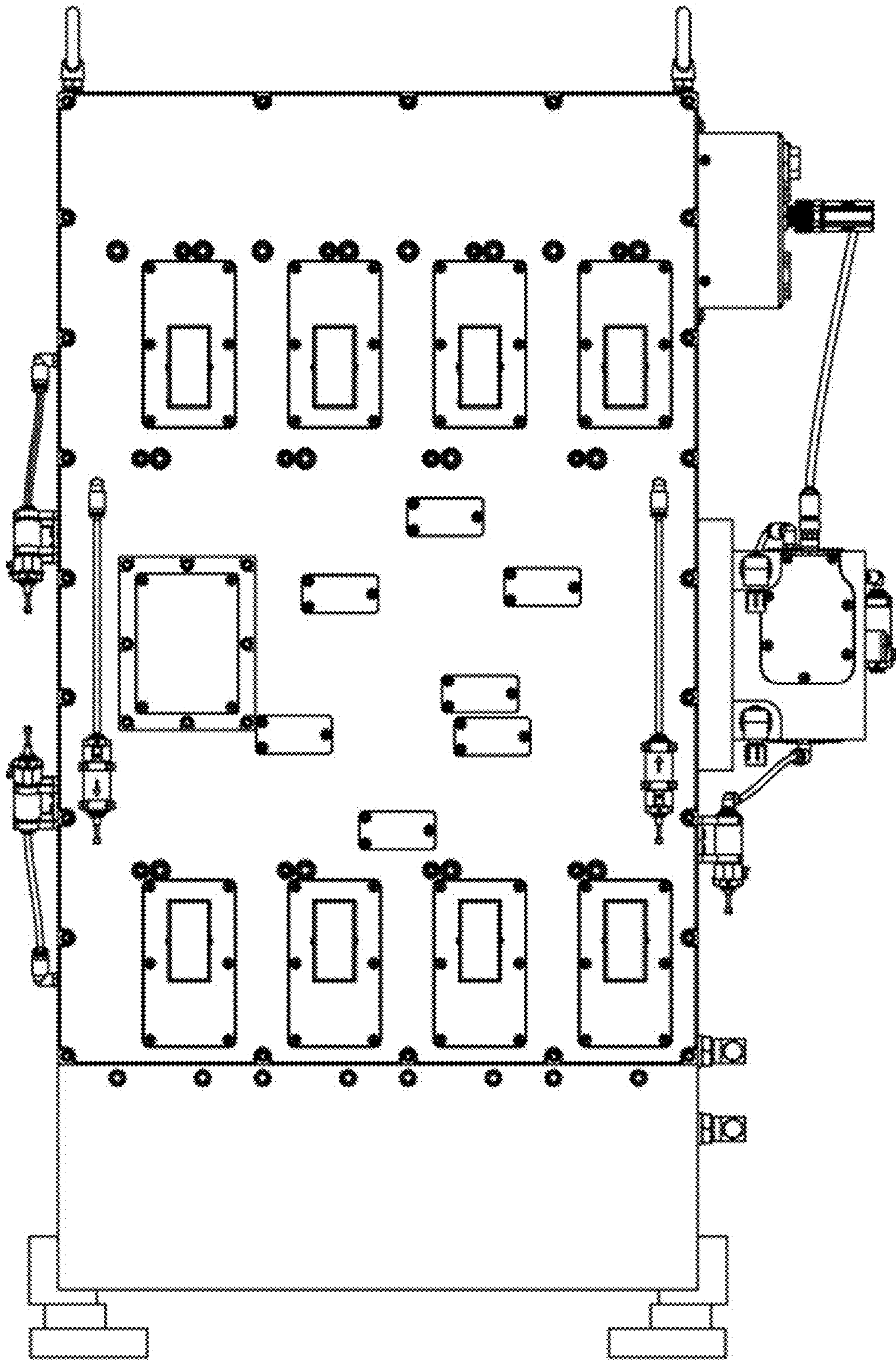


FIG. 2

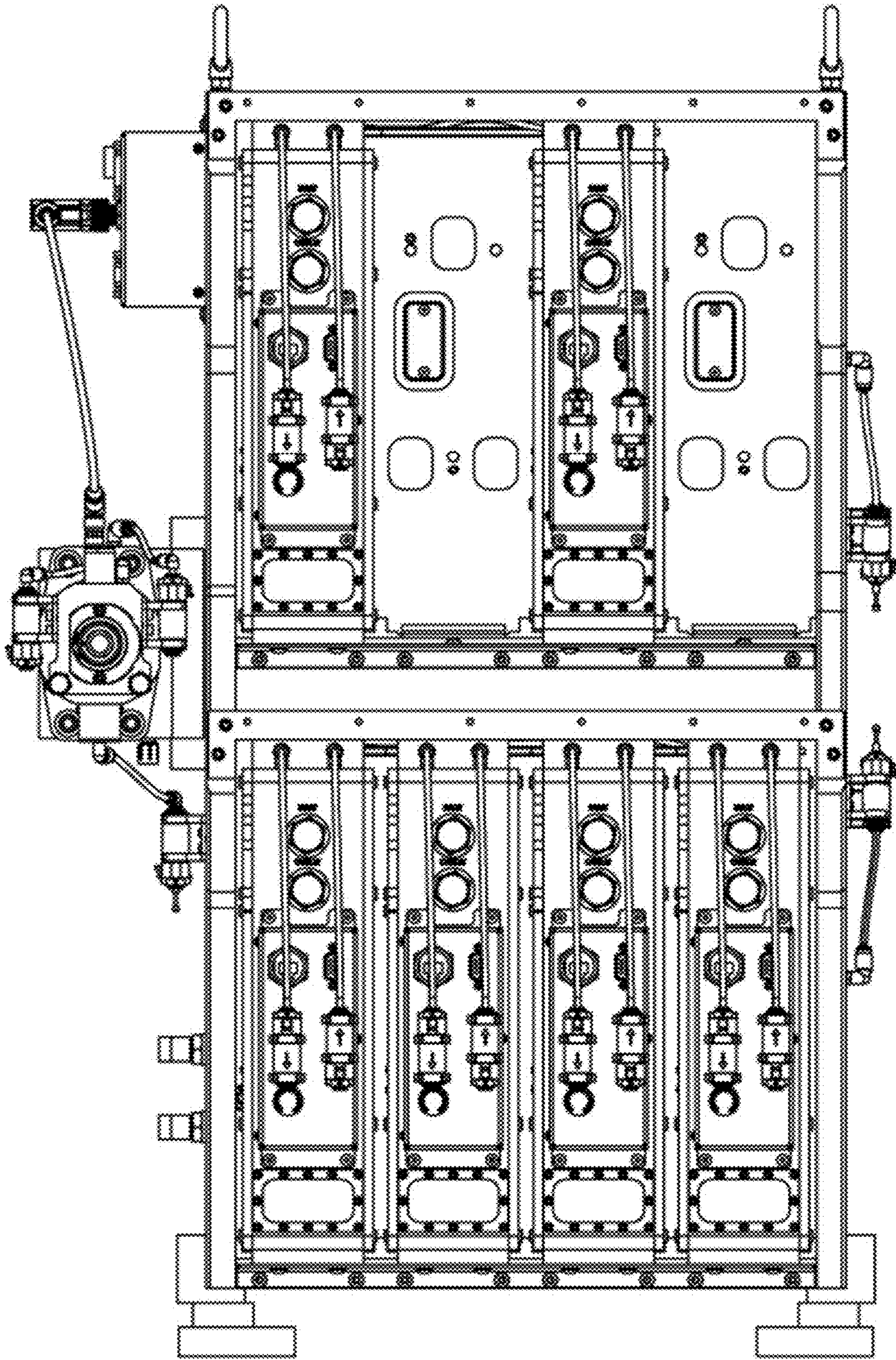


FIG. 3

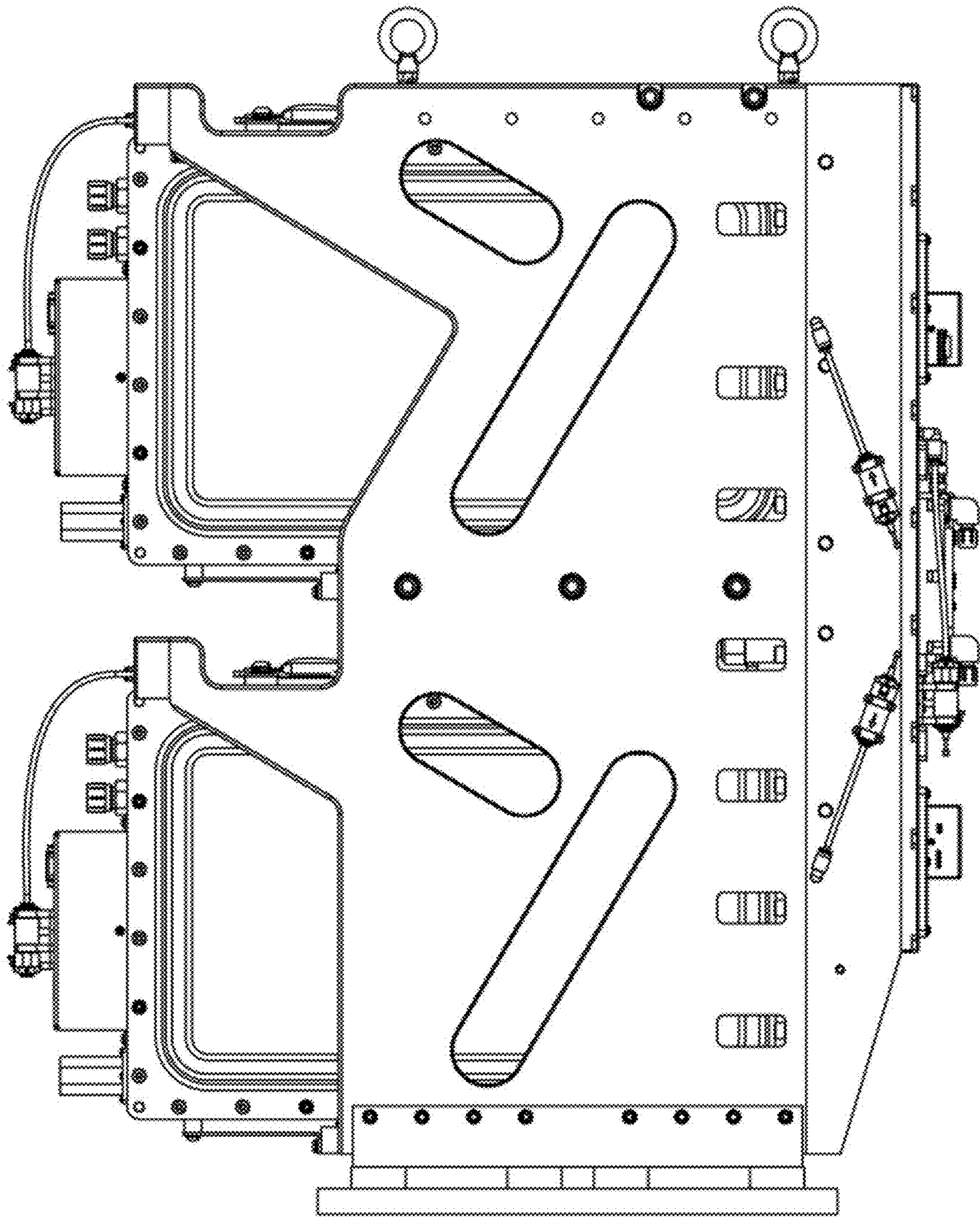


FIG. 4

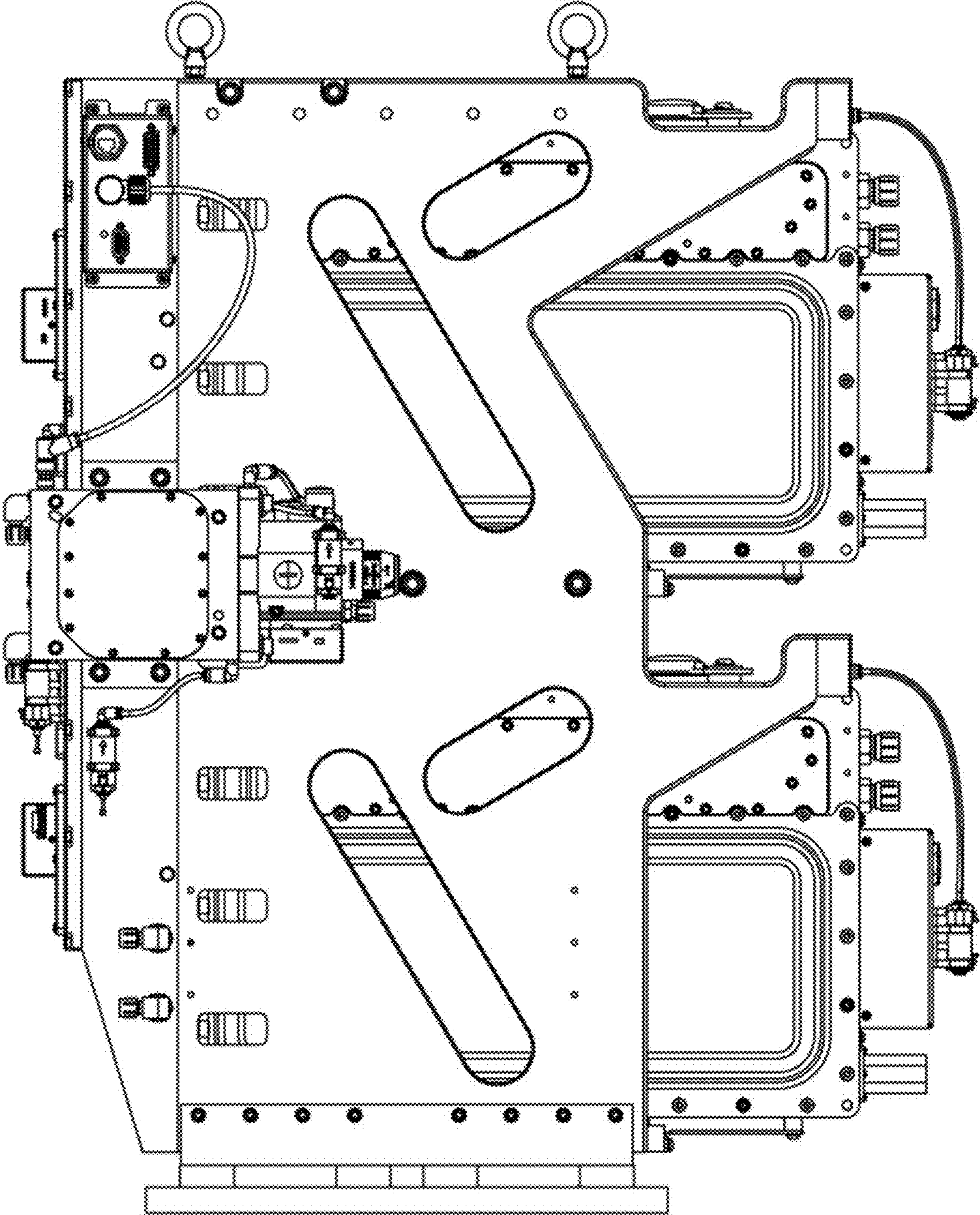


FIG. 5

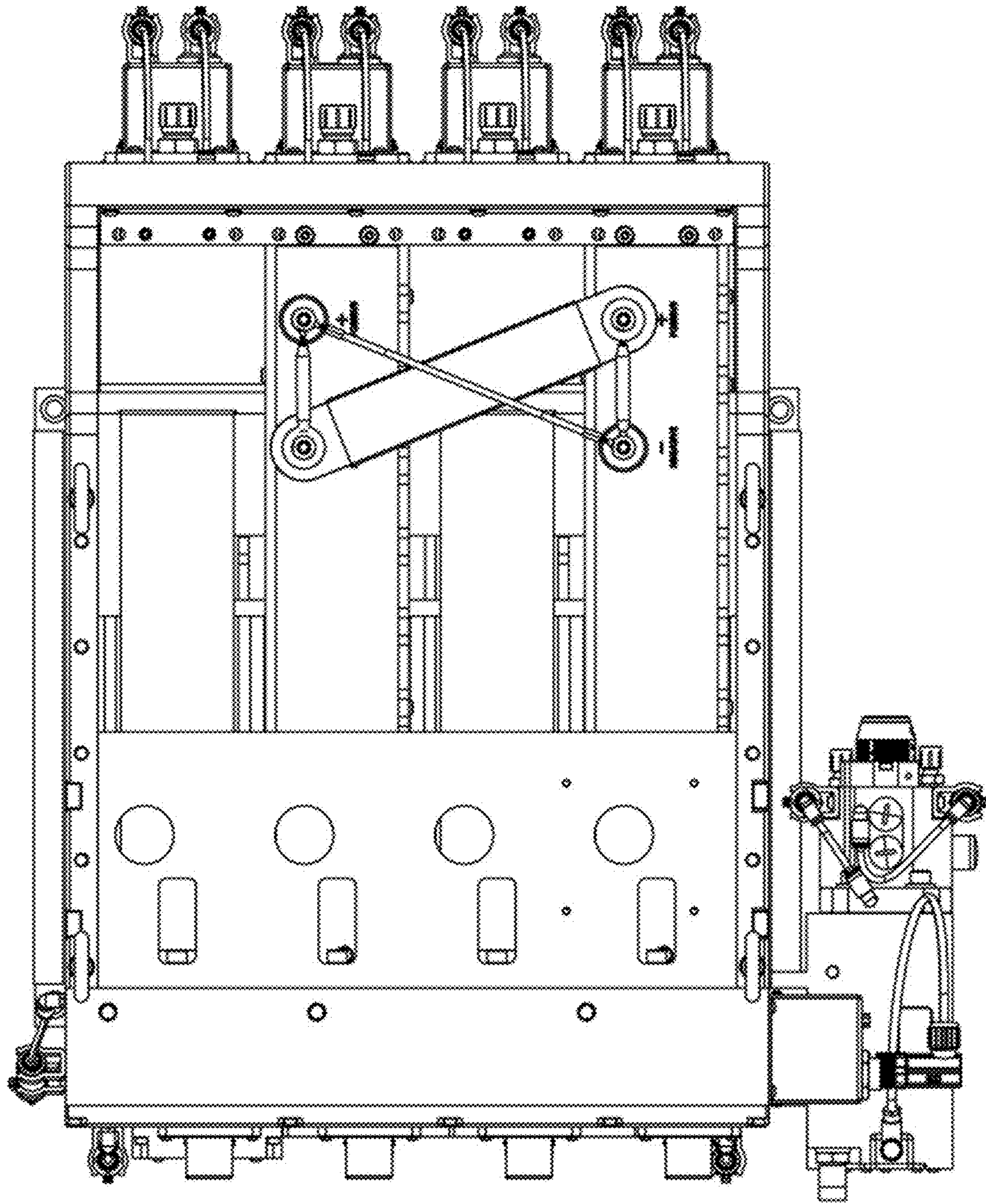


FIG. 6

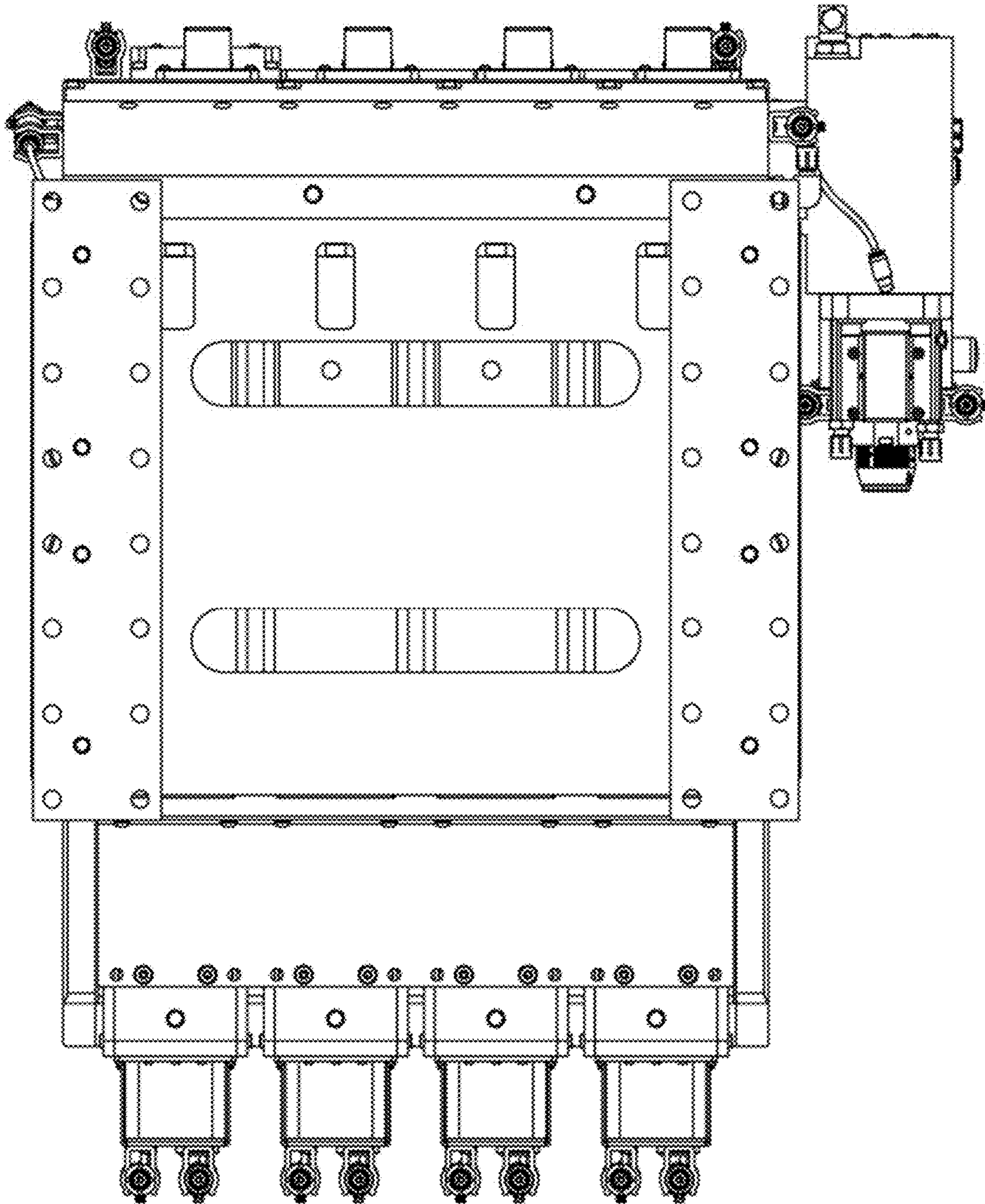


FIG. 7

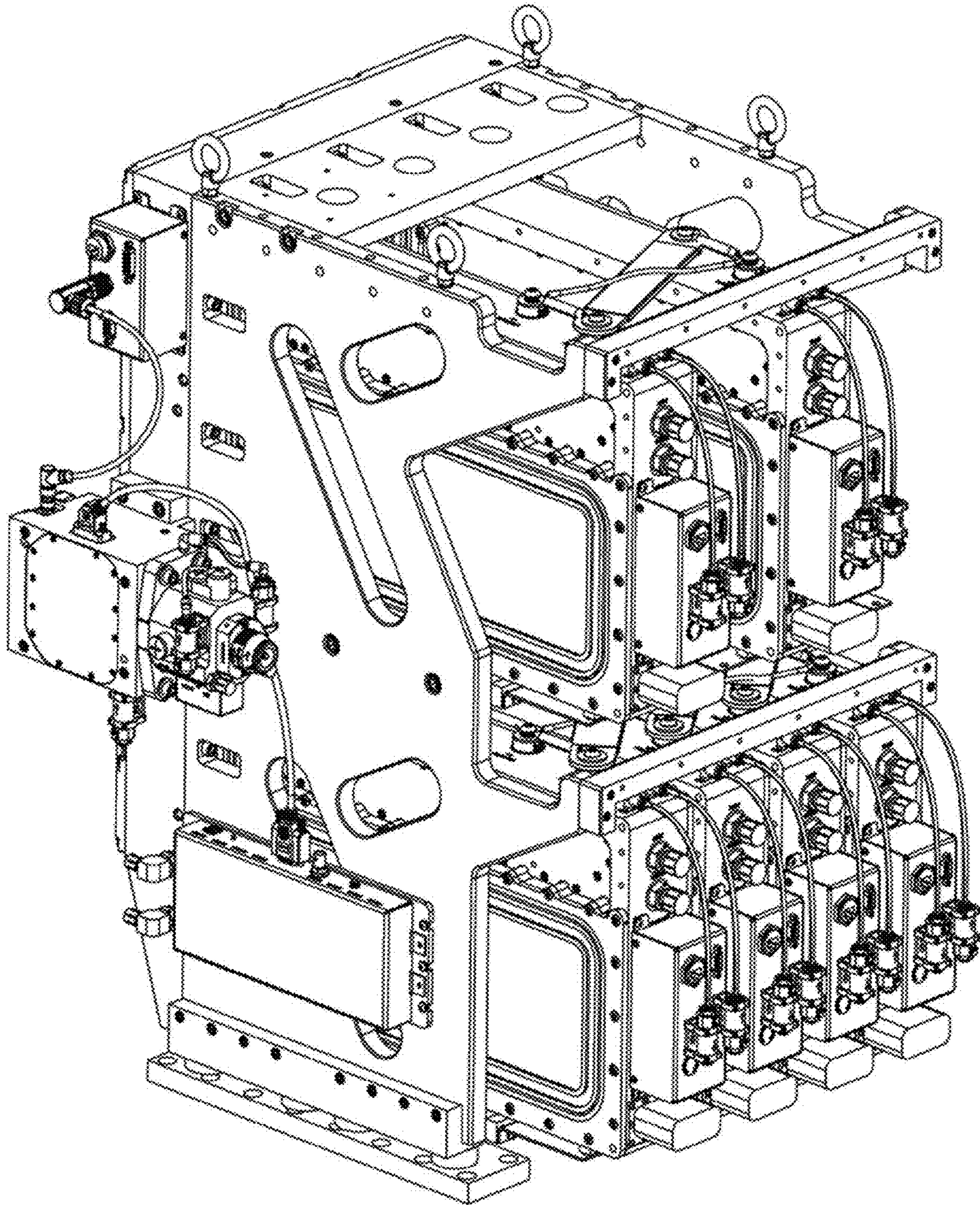


FIG. 8

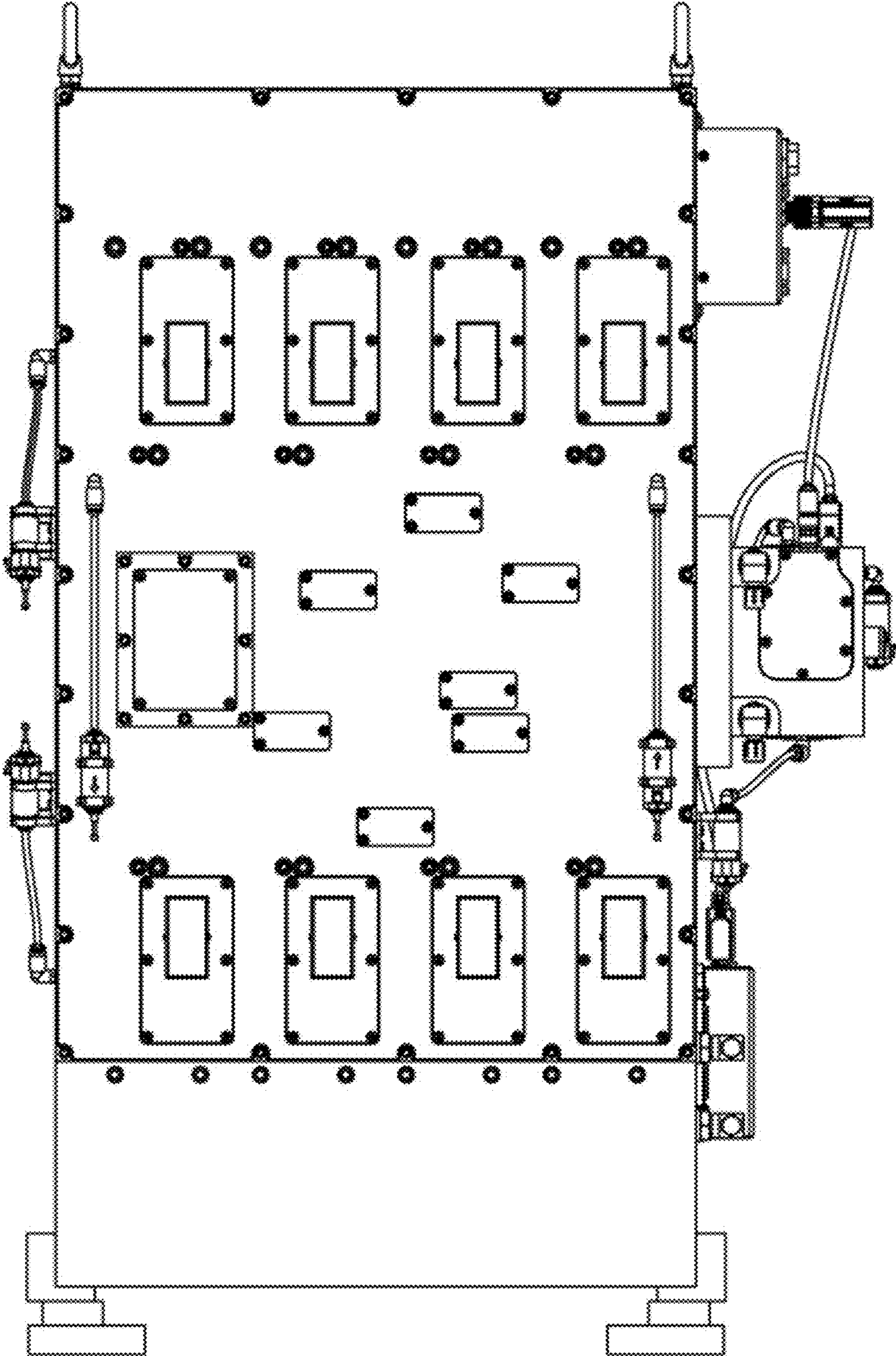


FIG. 9

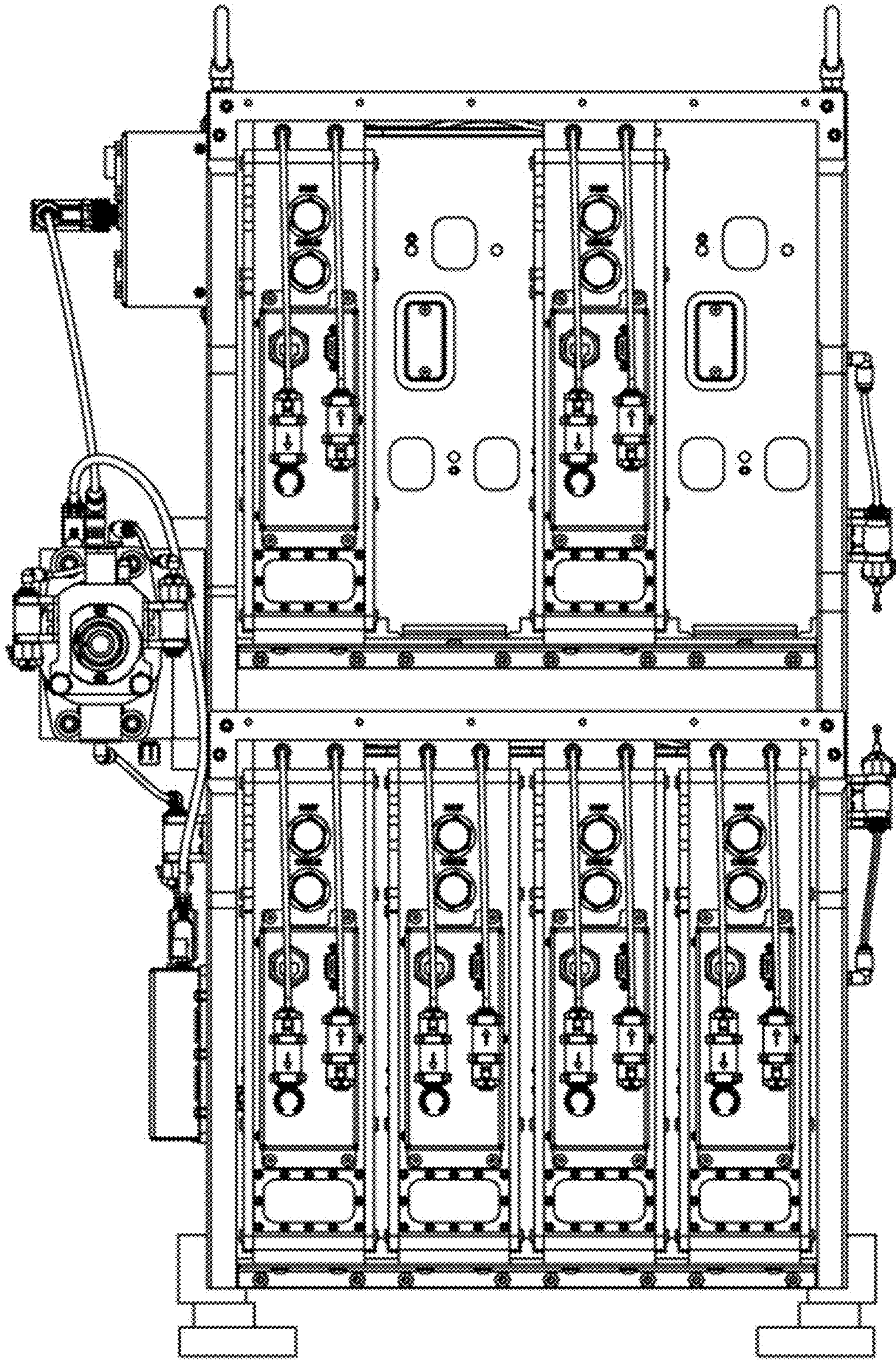


FIG. 10

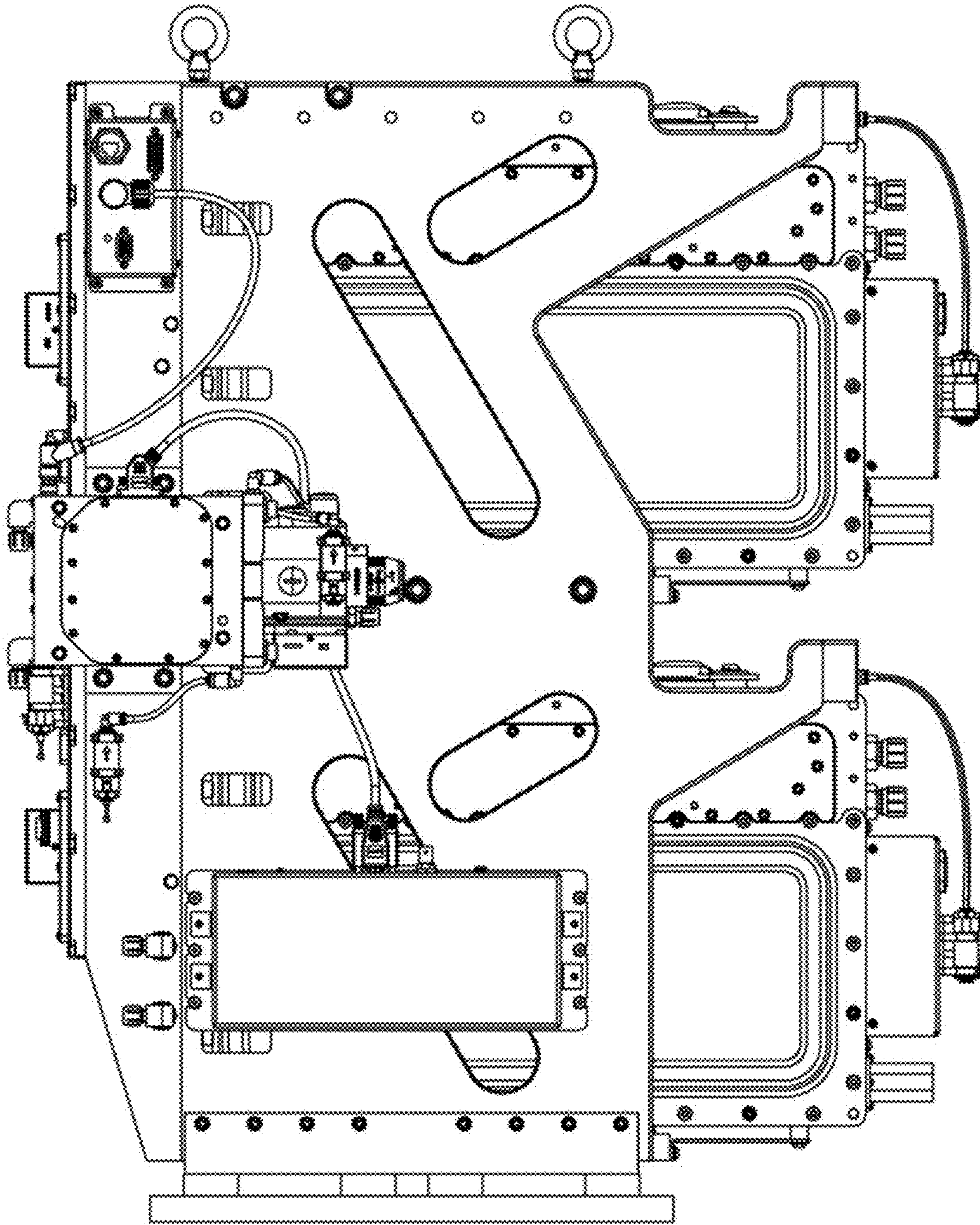


FIG. 11

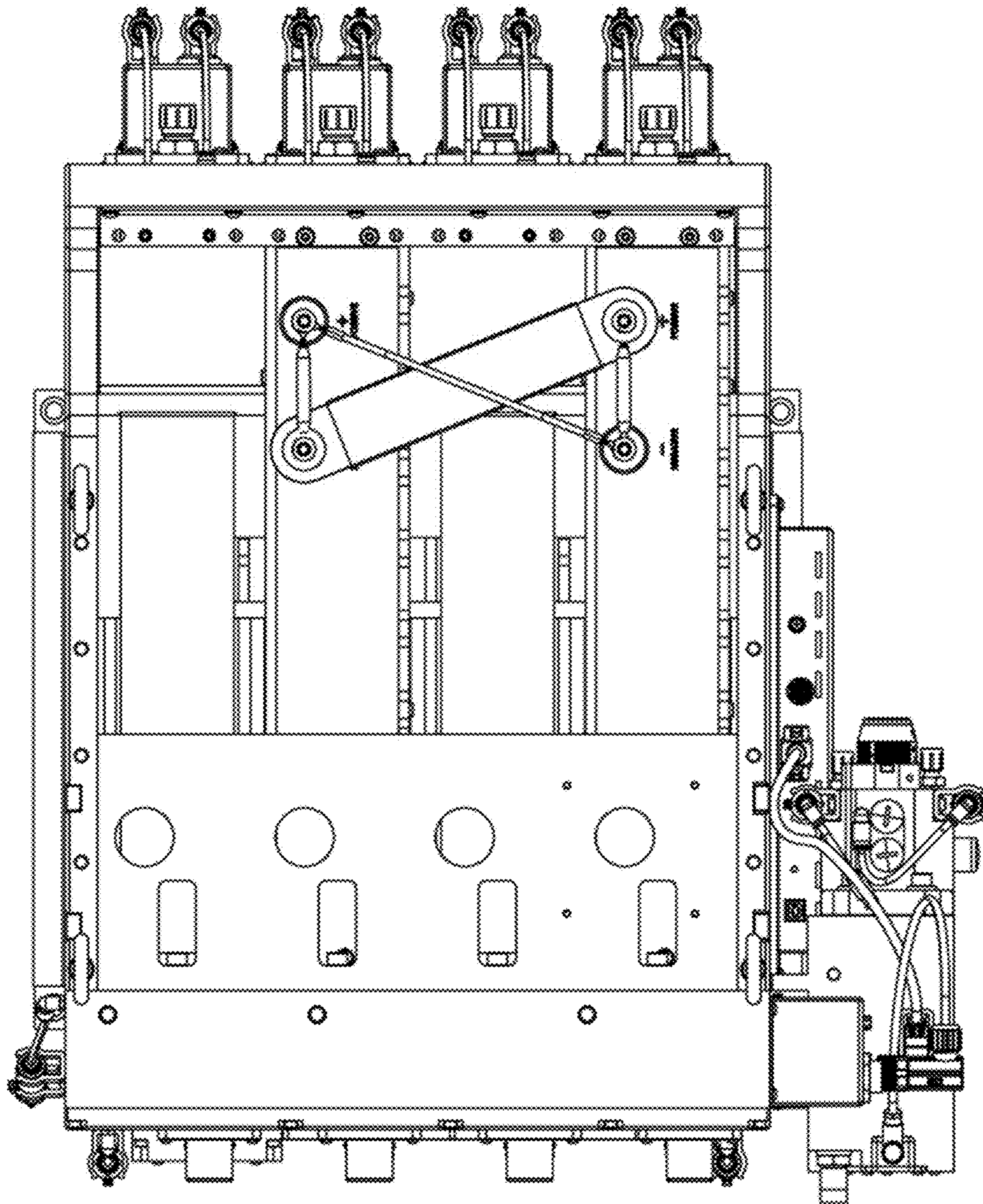


FIG. 12

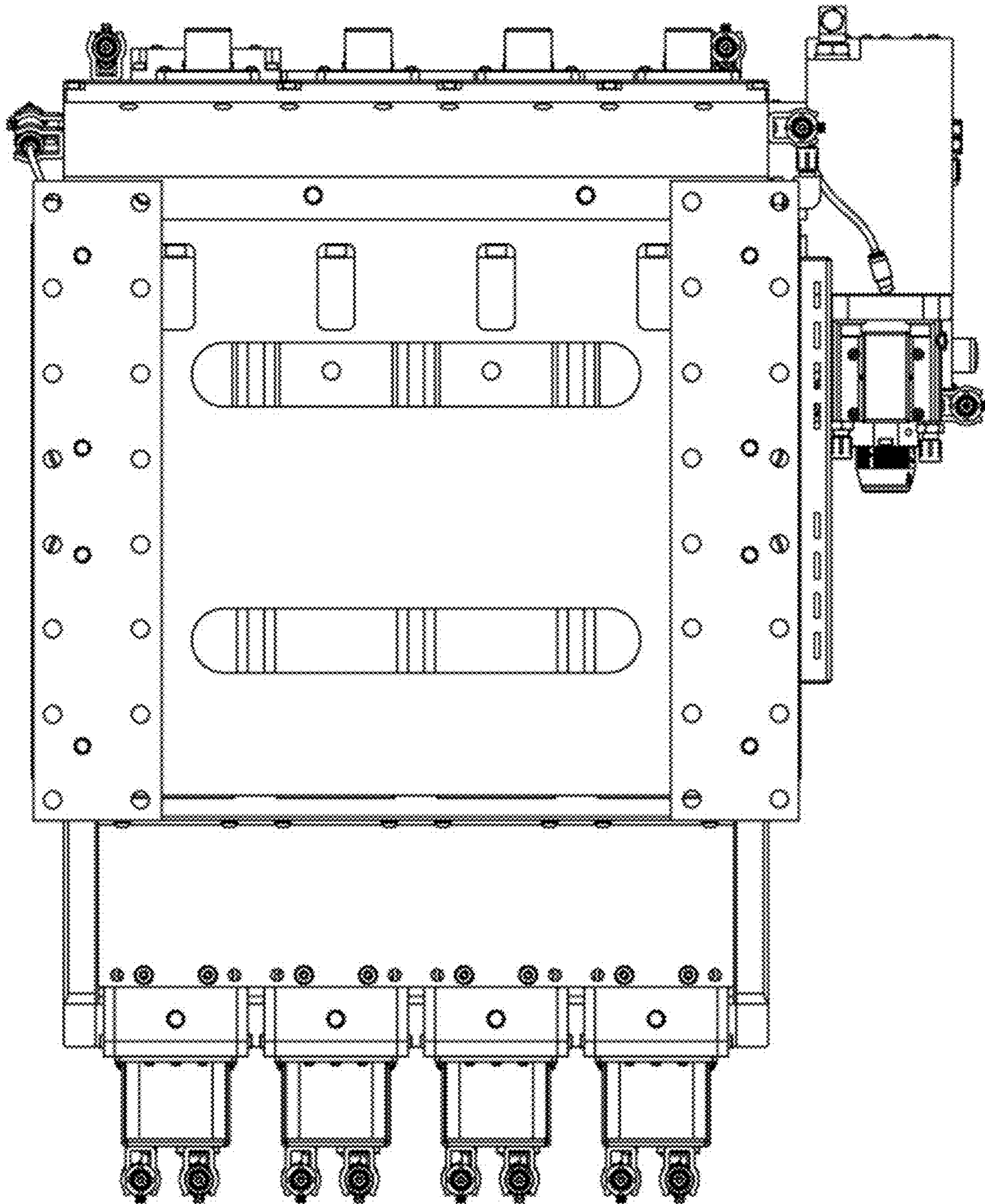


FIG. 13