



US00D908147S

(12) **United States Design Patent** (10) **Patent No.:** **US D908,147 S**
Steere et al. (45) **Date of Patent:** **** *Jan. 19, 2021**

(54) **ICE MOLD**

(71) Applicant: **Steere Enterprises, Inc.**, Tallmadge, OH (US)

(72) Inventors: **F. William Steere**, Akron, OH (US);
Brock W. Steere, Copley, OH (US);
Brian J. Steere, Akron, OH (US)

(73) Assignee: **Steere Enterprises, Inc.**, Tallmadge, OH (US)

(*) Notice: This patent is subject to a terminal disclaimer.

(**) Term: **15 Years**

(21) Appl. No.: **29/683,110**

(22) Filed: **Mar. 11, 2019**

(51) **LOC (13) Cl.** **15-07**

(52) **U.S. Cl.**
USPC **D15/90**

(58) **Field of Classification Search**
USPC D15/79, 80, 82, 89, 90; D21/317, 388,
D21/389, 385, 386; D18/14, 15-21, 51;
(Continued)

(56) **References Cited**

U.S. PATENT DOCUMENTS

D559,870 S * 1/2008 Conlon, Jr. D15/90
D654,934 S * 2/2012 Cesarino D15/90
(Continued)

OTHER PUBLICATIONS

Undated Prior Art.

Primary Examiner — Khawaja Anwar

(74) *Attorney, Agent, or Firm* — Cooper Legal Group, LLC

(57) **CLAIM**

The ornamental design for an ice mold, as shown and described.

DESCRIPTION

FIG. 1 is a perspective view of an ice mold including a first embodiment of the ornamental design, showing the ice mold in a closed condition.

FIG. 2 is a front elevational view of the ice mold of FIG. 1.

FIG. 3 is a rear elevational view of the ice mold of FIG. 1.

FIG. 4 is a left side elevational view of the ice mold of FIG. 1.

FIG. 5 is a right side elevational view of the ice mold of FIG. 1.

FIG. 6 is a top end view of the ice mold of FIG. 1.

FIG. 7 is a bottom end view of the ice mold of FIG. 1.

FIG. 8 is a perspective view similar to FIG. 1 showing the ice mold in an open condition.

FIG. 9 is a front elevational view of the ice mold of FIG. 8.

FIG. 10 is a rear elevational view of the ice mold of FIG. 8.

FIG. 12 is a left side elevational view of the ice mold of FIG. 8.

FIG. 13 is a top end view of the ice mold of FIG. 8.

FIG. 14 is a bottom end view of the ice mold of FIG. 8.

FIG. 15 is a perspective view of an ice mold including a second embodiment of the ornamental design, showing the ice mold in a closed condition.

FIG. 16 is a front elevational view of the ice mold of FIG. 15.

FIG. 17 is a rear elevational view of the ice mold of FIG. 15.

FIG. 18 is a left side elevational view of the ice mold of FIG. 15.

FIG. 19 is a right side elevational view of the ice mold of FIG. 15.

FIG. 20 is a top end view of the ice mold of FIG. 15.

FIG. 21 is a bottom end view of the ice mold of FIG. 15.

FIG. 22 is a perspective view similar to FIG. 15 showing the ice mold in an open condition.

FIG. 23 is a front elevational view of the ice mold of FIG. 22.

FIG. 24 is a rear elevational view of the ice mold of FIG. 22.

FIG. 25 is a left side elevational view of the ice mold of FIG. 22.

(Continued)

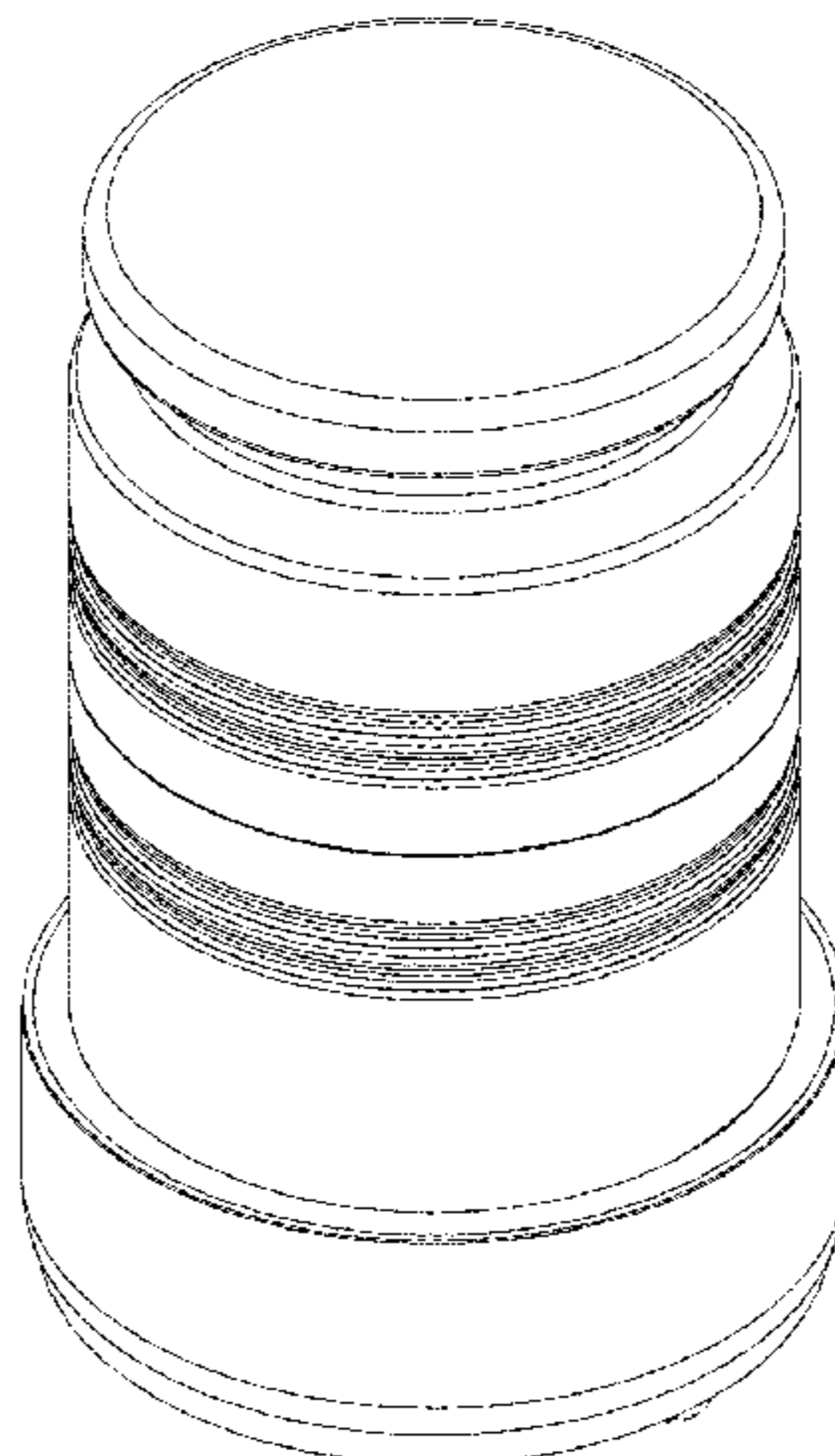


FIG. 26 is a right side elevational view of the ice mold of FIG. 22. FIG. 27 is a top end view of the ice mold of FIG. 22; and, FIG. 28 is a bottom end view of the ice mold of FIG. 22. The broken line showings of portions of the ice mold in FIGS. 1-5, 7, 8-12, and 14 form no part of the respective embodiment of the ornamental design.

1 Claim, 12 Drawing Sheets

(58) **Field of Classification Search**

USPC D22/115-116; D3/270, 271.1, 271.9; D28/85, 88; D9/668, 680; D24/173, D24/174, 200, 106; D14/223, 206
 CPC F42B 12/06; F42B 12/34; F42B 12/74; F42B 30/02; F42B 33/00; F42B 5/307; F42B 12/36; F42B 15/01; F42B 5/02; F42B 5/30; F42B 7/046; F42B 33/001; F42B 33/02; F42B 12/46; F42B 5/025; F42B 5/313; F42B 10/44; F42B 12/02; F42B 10/46; F42B 10/62; F42B 10/64; F42B 12/20; F42B 12/22; F42B 12/24; F42B 12/367; F42B 12/44; F42B 12/54; F42B 12/58; F42B 12/60; F42B 14/00; F42B 14/061; F42B 14/064; F42B 14/068; F42B 30/04; F42B 30/10; F42B 39/20; F42B 10/08; F42B 10/12; F42B

10/16; F42B 10/26; F42B 10/30; F42B 10/36; F42B 10/50; F42B 10/54; F42B 12/04; F42B 12/08; F42B 12/16; F42B 12/207; F42B 12/32; F42B 12/362; F42B 12/365; F42B 12/38; F42B 12/387; F42B 12/42

See application file for complete search history.

(56)

References Cited

U.S. PATENT DOCUMENTS

| | | | | |
|--------------|------|---------|---------------|-------------------------|
| 8,882,489 | B1 | 11/2014 | Coomer | |
| D738,409 | S * | 9/2015 | Henry | D15/90 |
| D754,222 | S * | 4/2016 | Pederson | D15/90 |
| D754,223 | S * | 4/2016 | Pederson | D15/90 |
| D781,356 | S * | 3/2017 | Iungerich | D15/90 |
| D787,569 | S * | 5/2017 | Meaux | D15/90 |
| D787,570 | S * | 5/2017 | Meaux | D15/90 |
| D803,904 | S * | 11/2017 | Frank | D15/90 |
| 2004/0206250 | A1 | 10/2004 | Kondou et al. | |
| 2007/0261587 | A1 * | 11/2007 | Chung | F42B 5/313 102/469 |
| 2012/0007264 | A1 | 1/2012 | Kondou et al. | |
| 2015/0021458 | A1 * | 1/2015 | Zorovich | B29C 33/0038 249/134 |
| 2015/0033970 | A1 * | 2/2015 | Maljkovic | F42B 5/28 102/467 |
| 2015/0367536 | A1 | 12/2015 | Compton | |

* cited by examiner

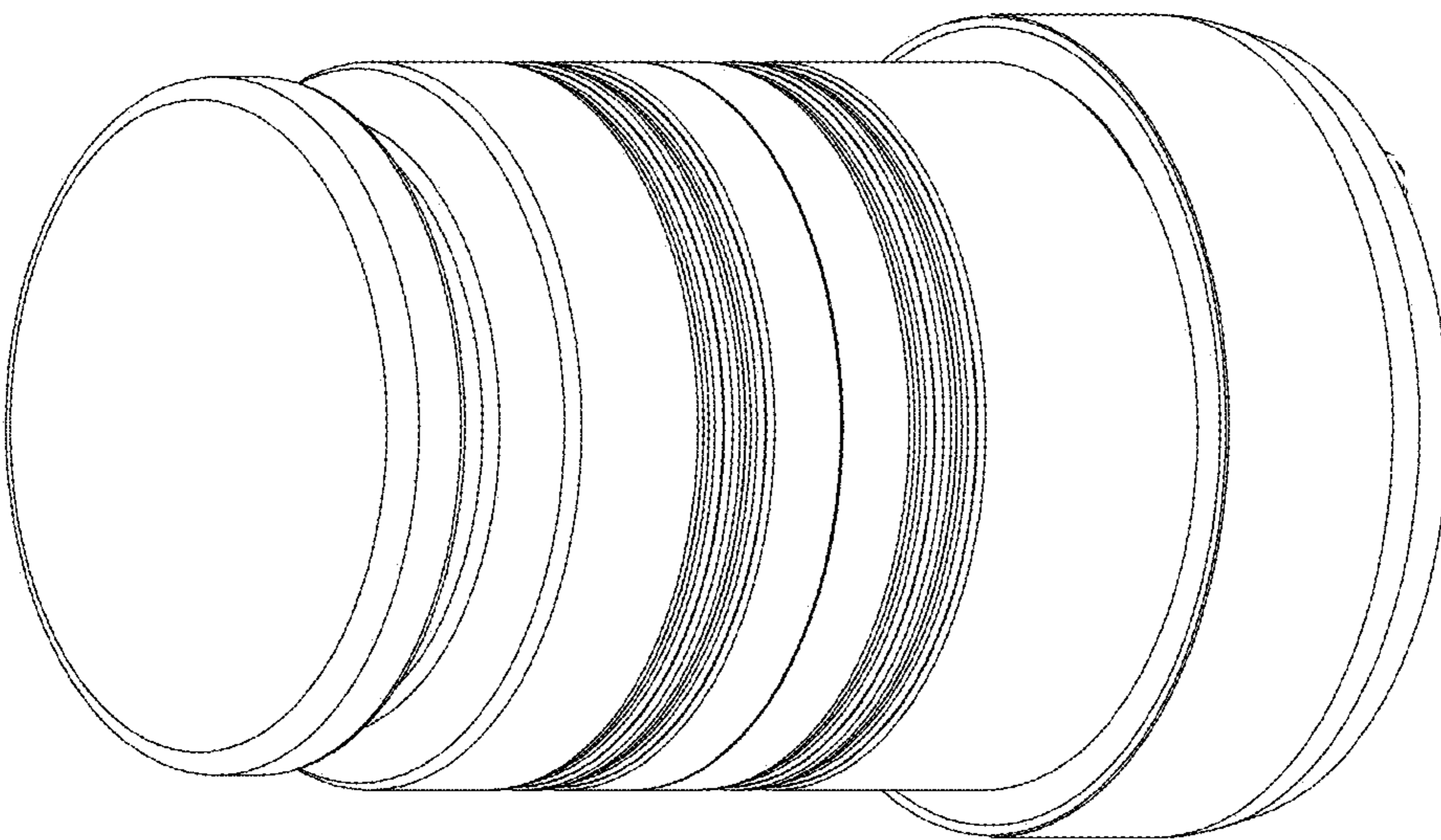


Fig.1

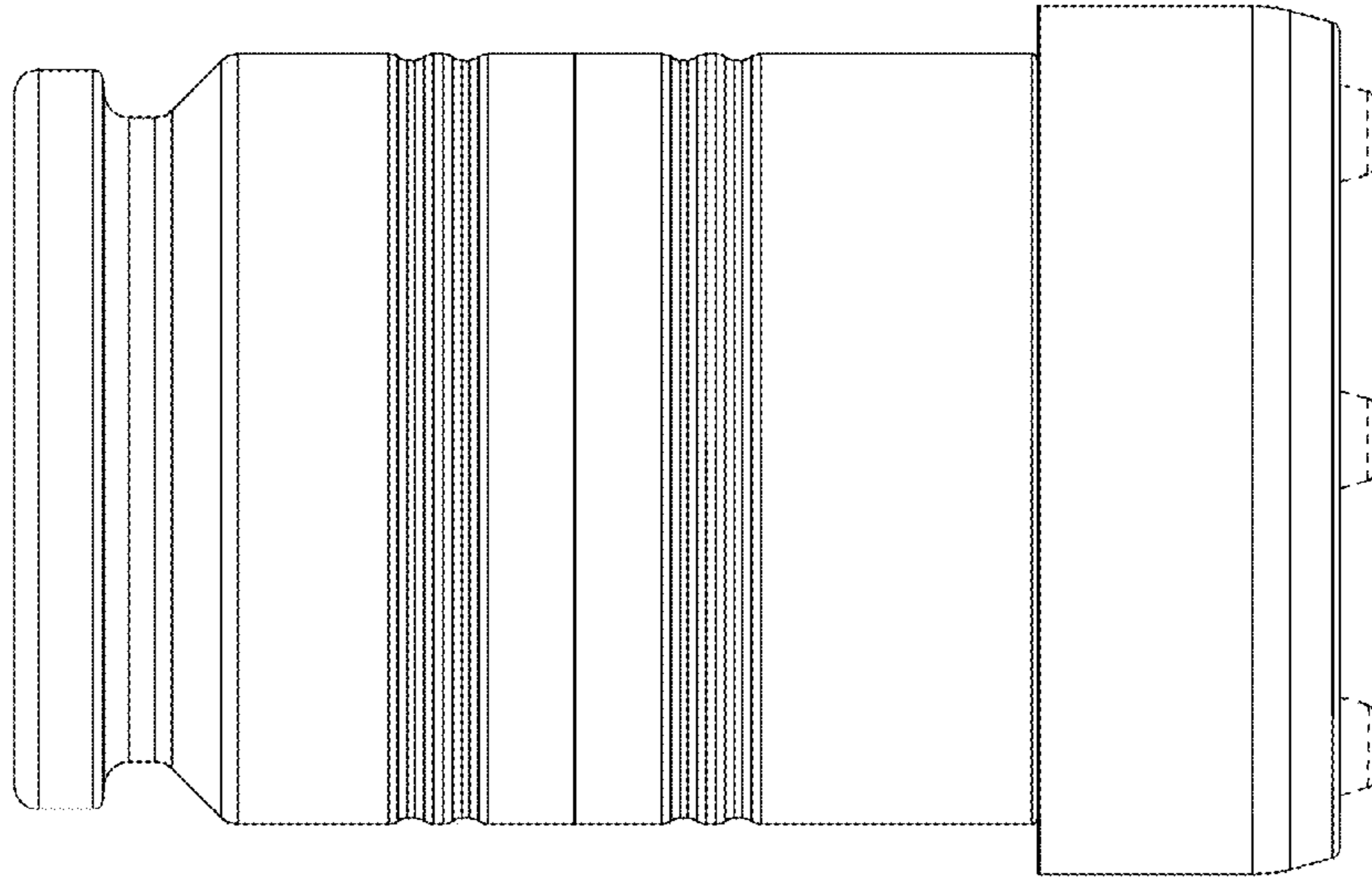


Fig.2

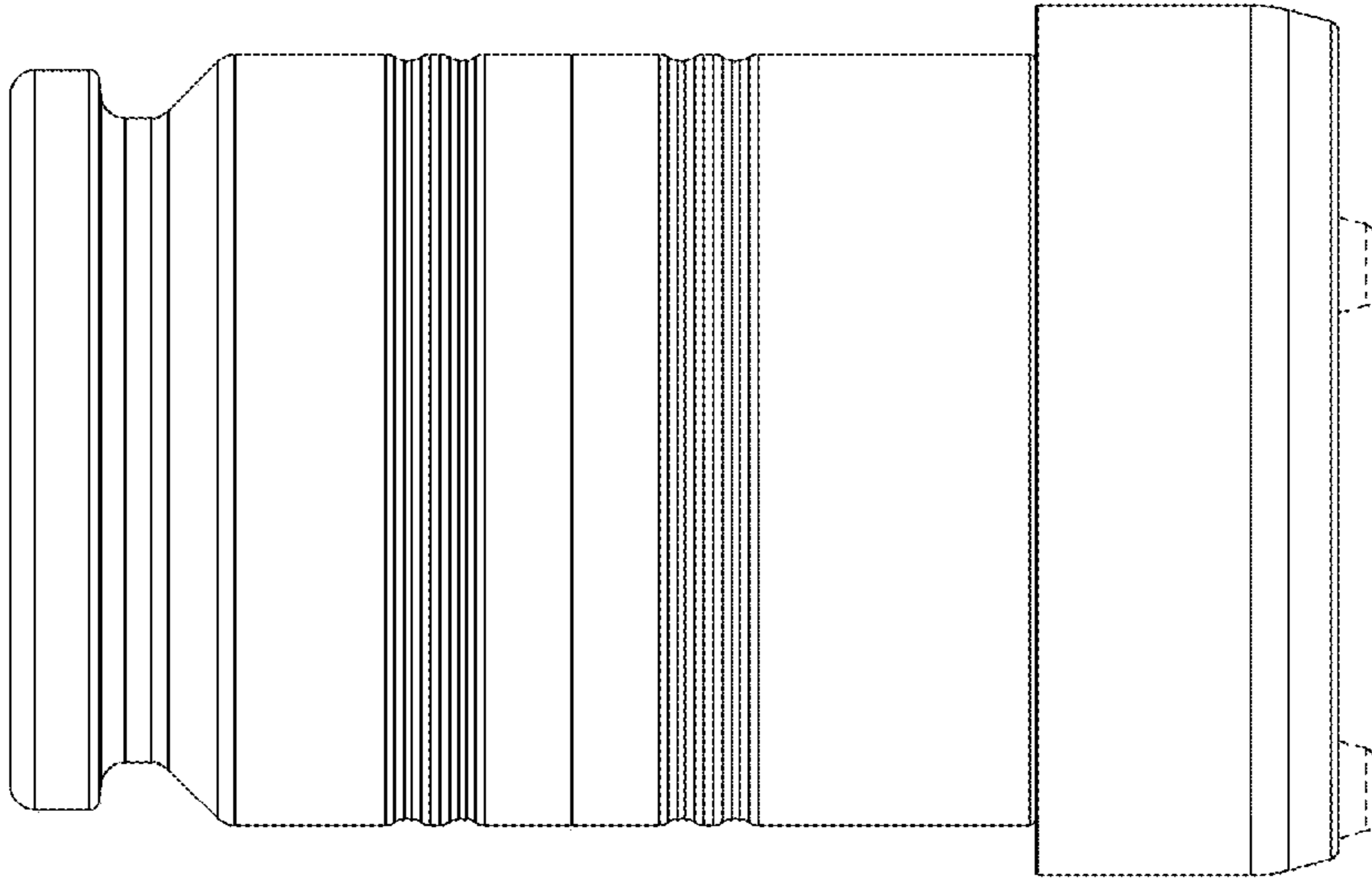


Fig.5

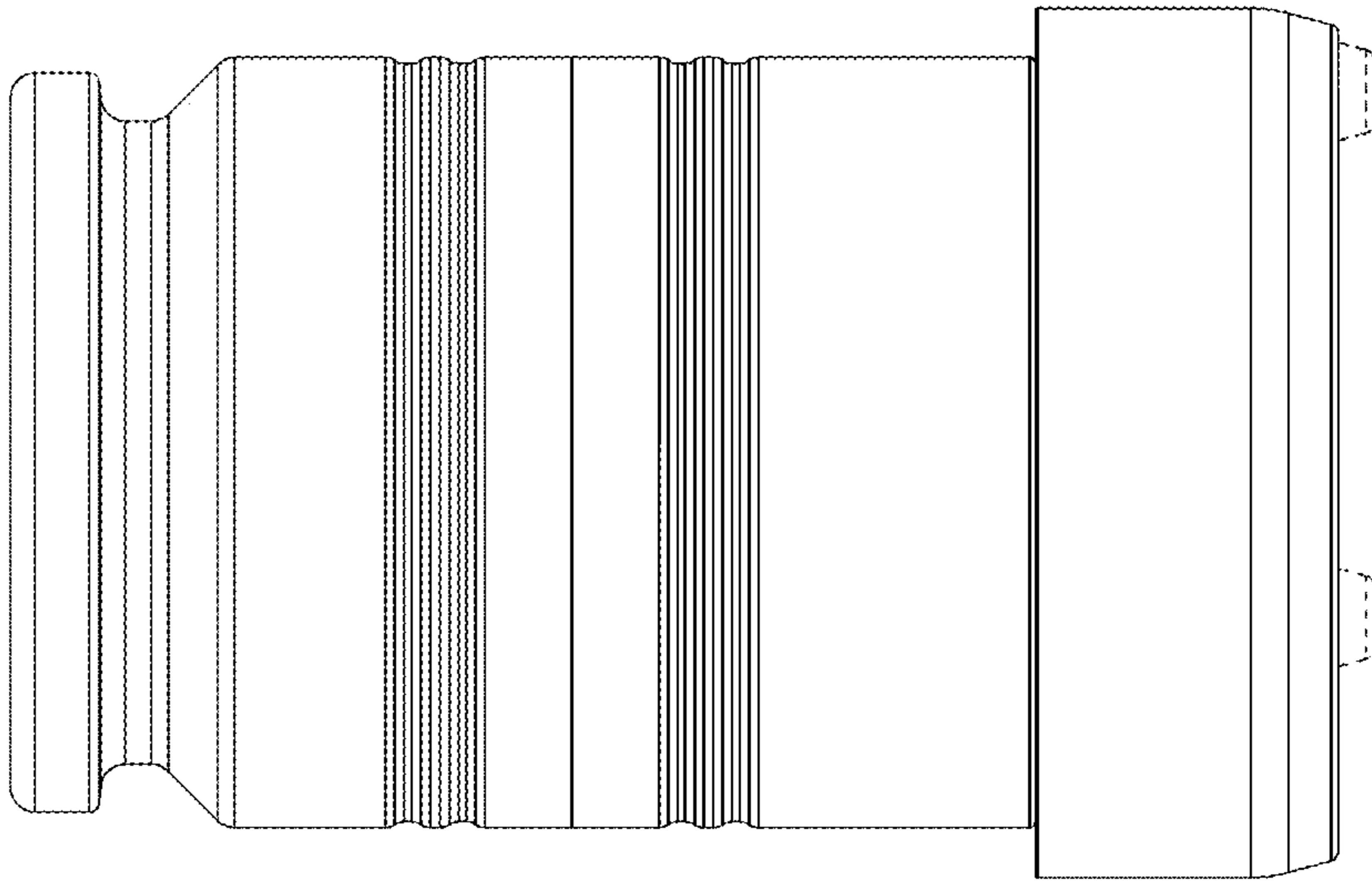


Fig.4

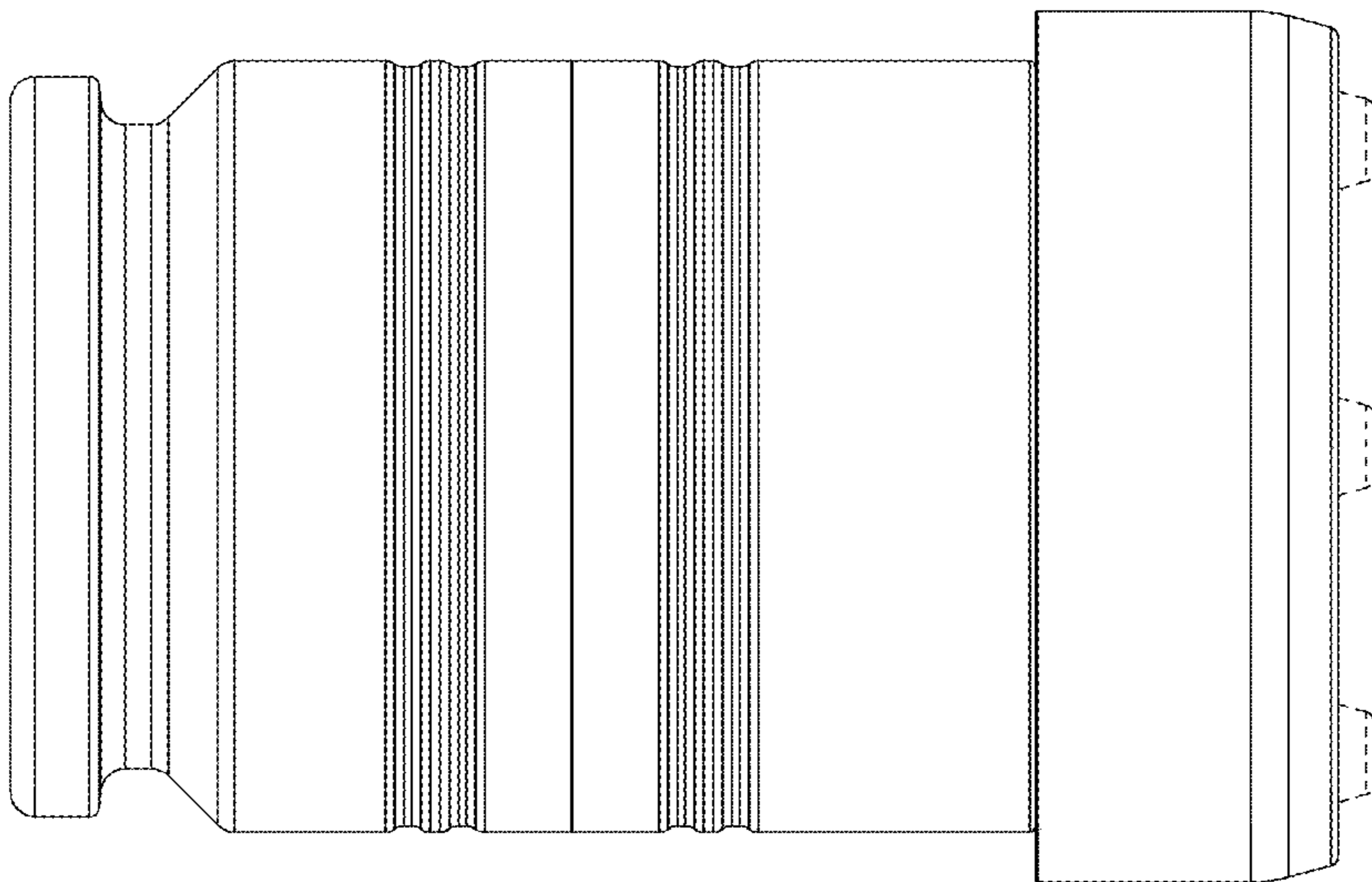


Fig.3

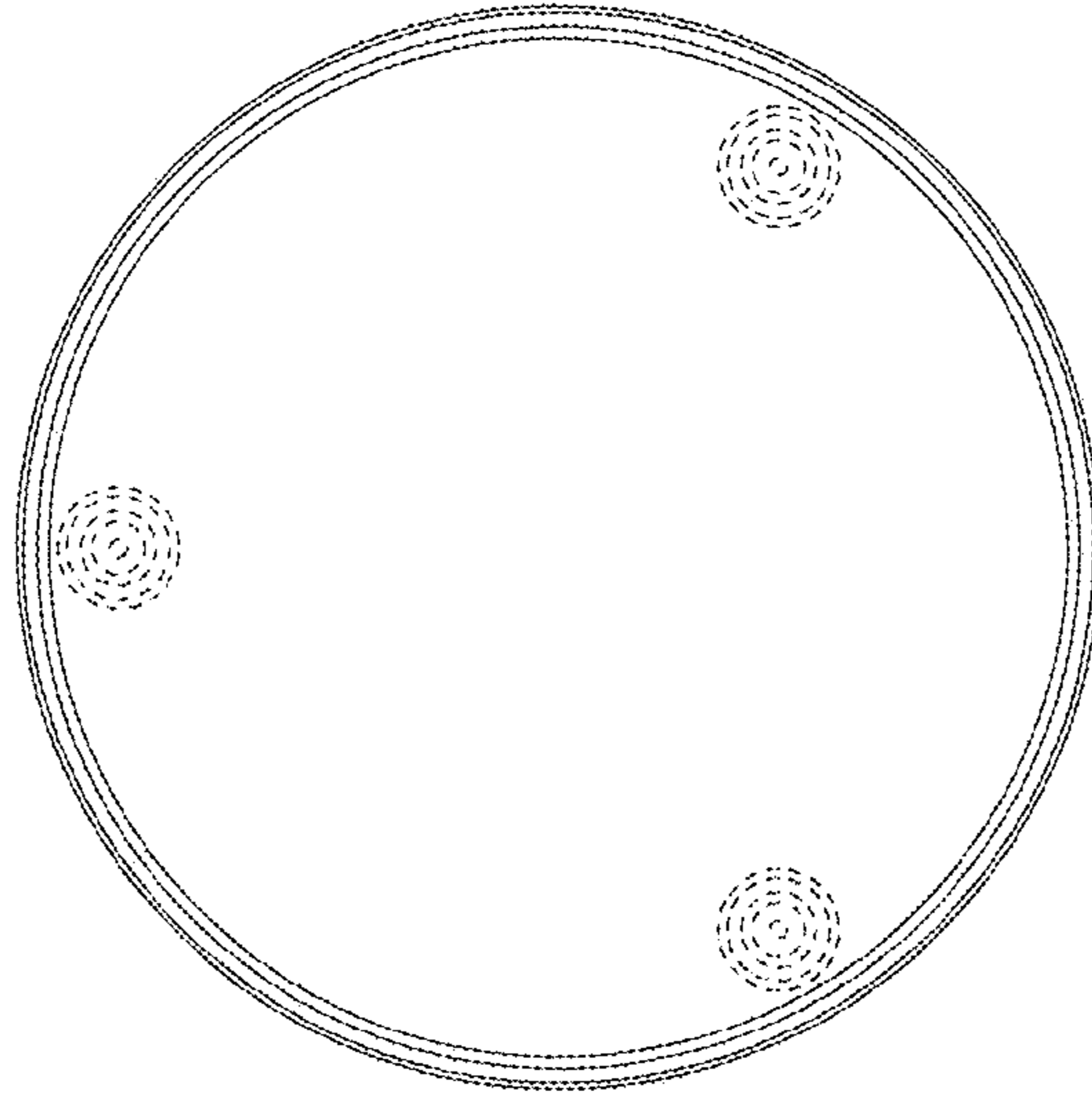


Fig.7

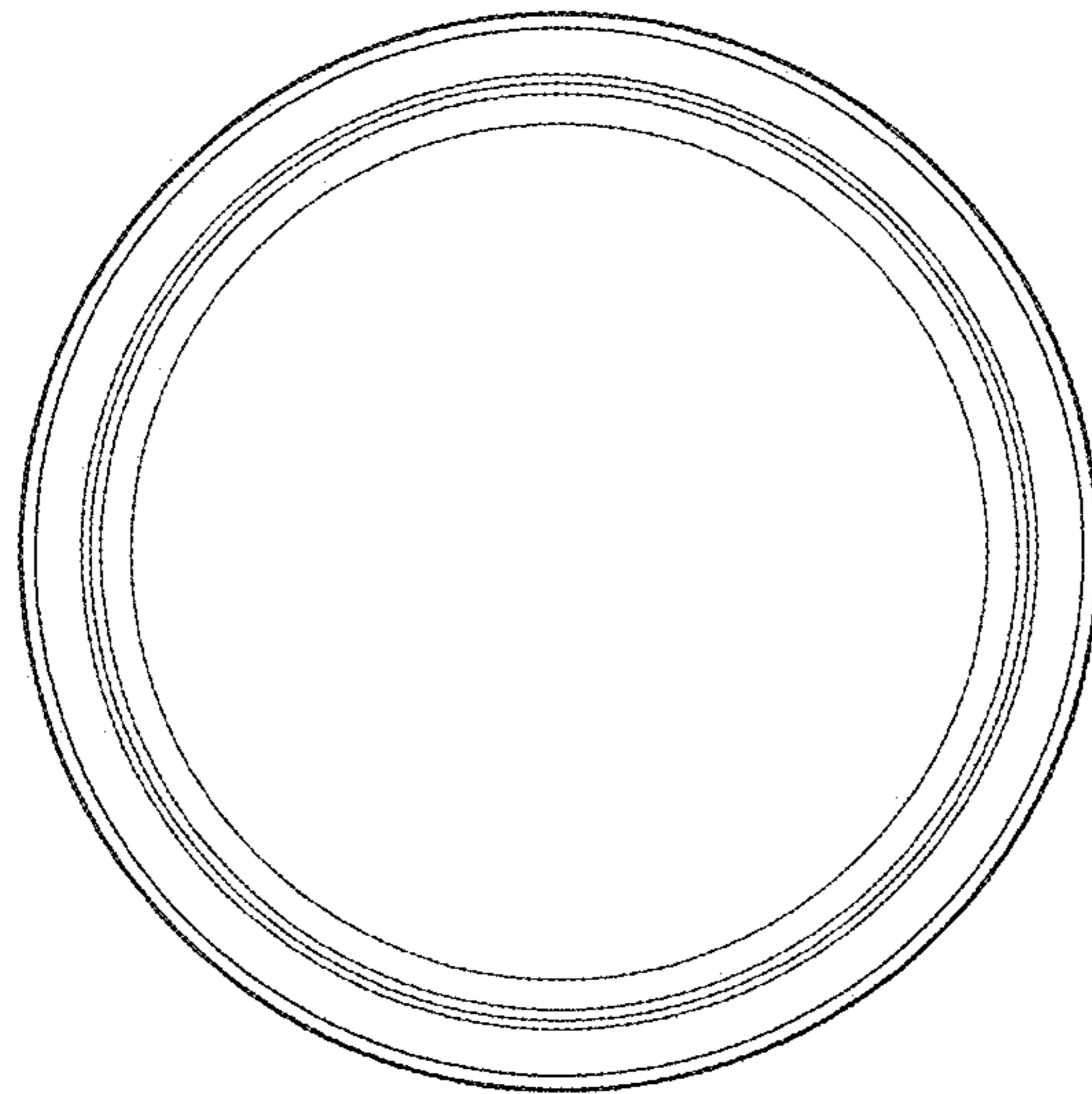


Fig.6

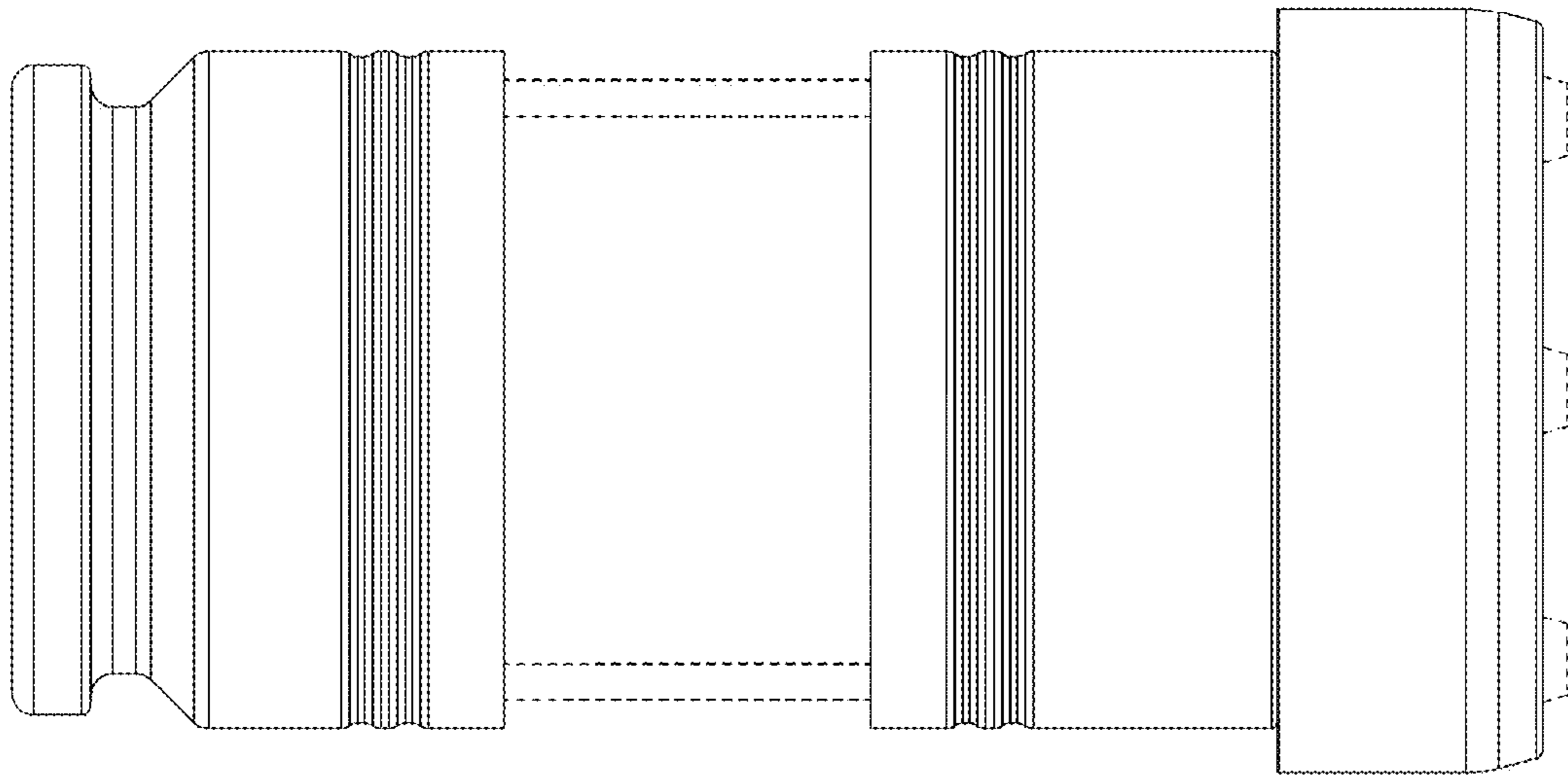


Fig.9

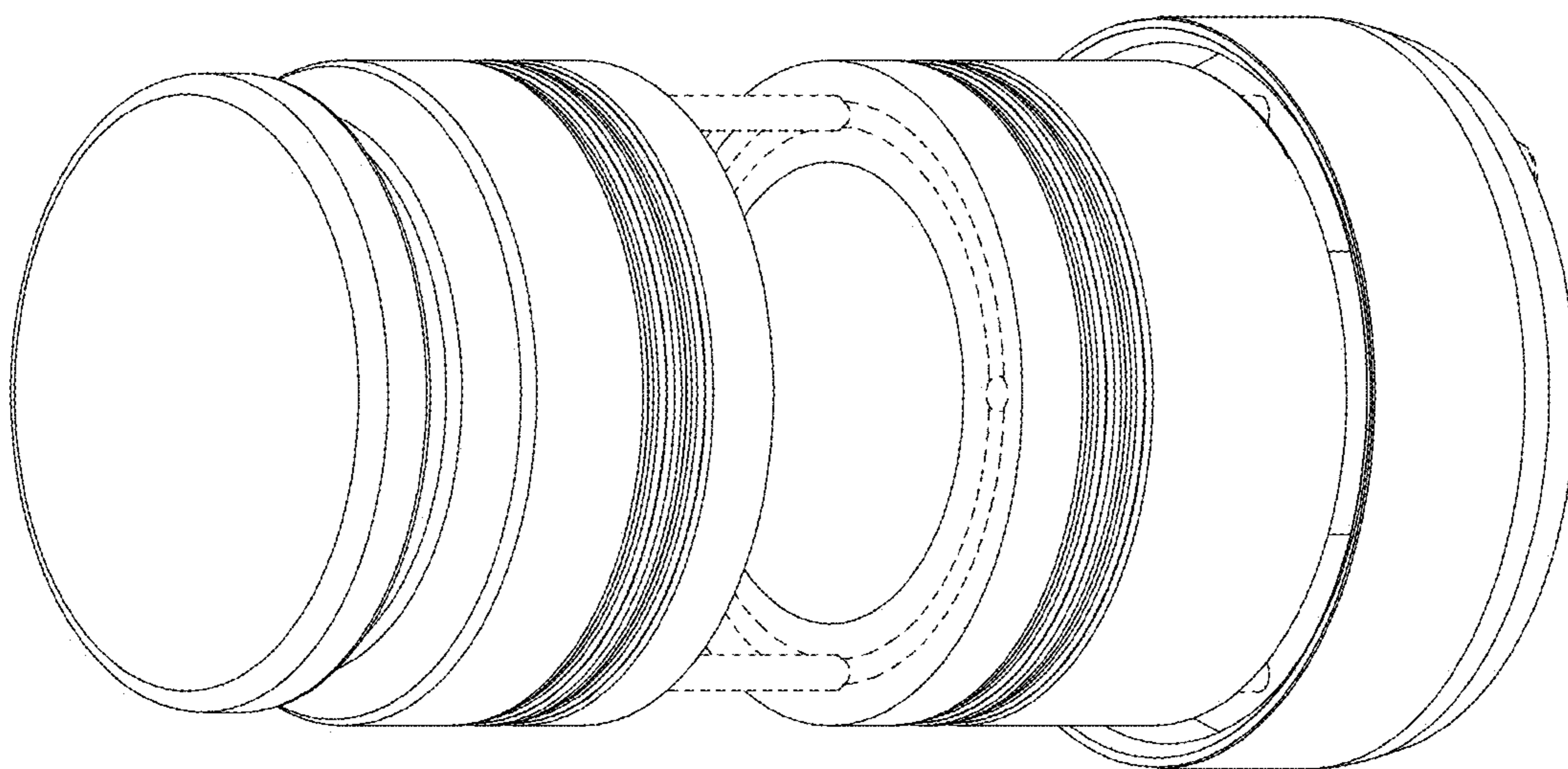


Fig.8

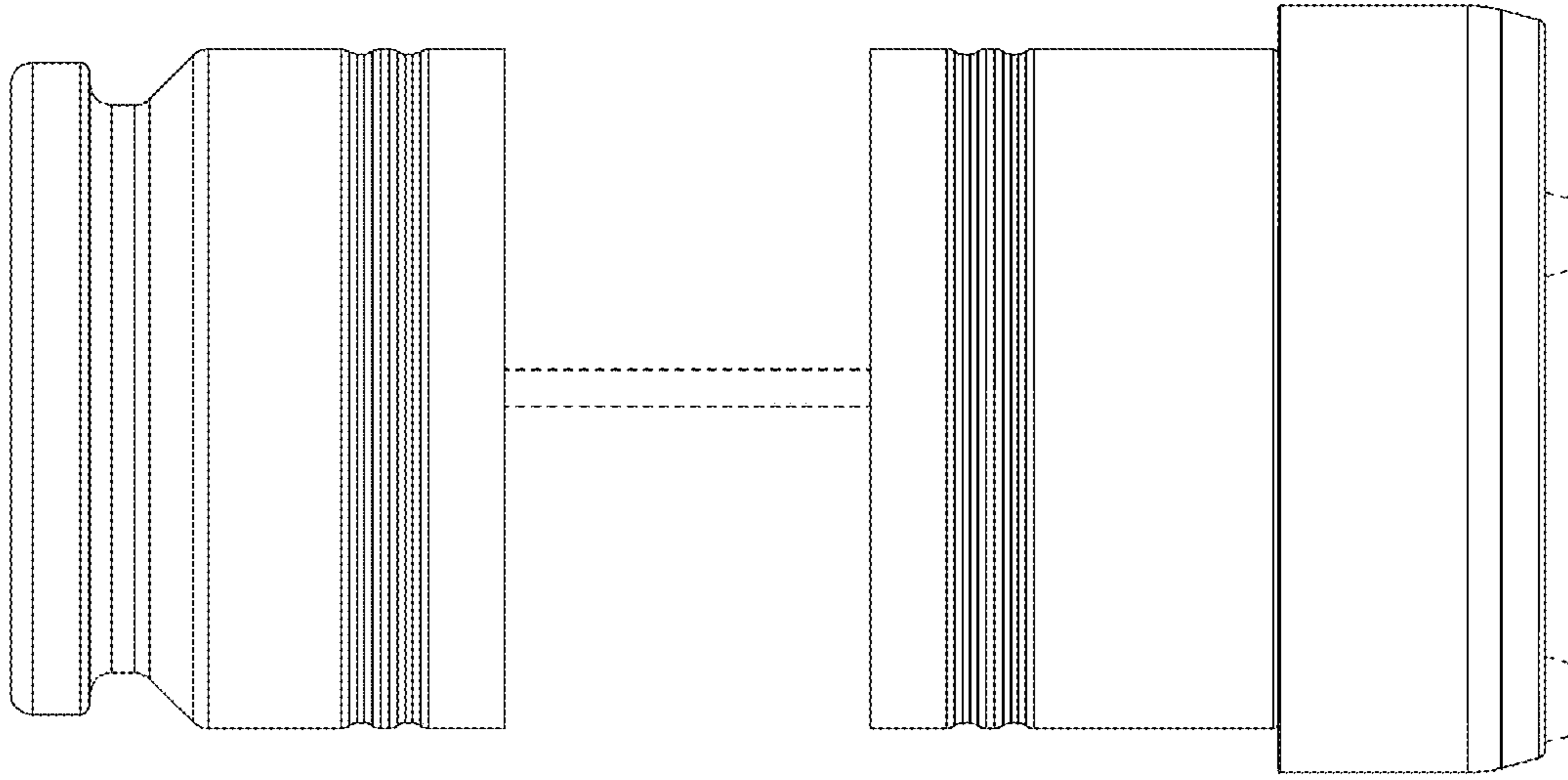


Fig.10

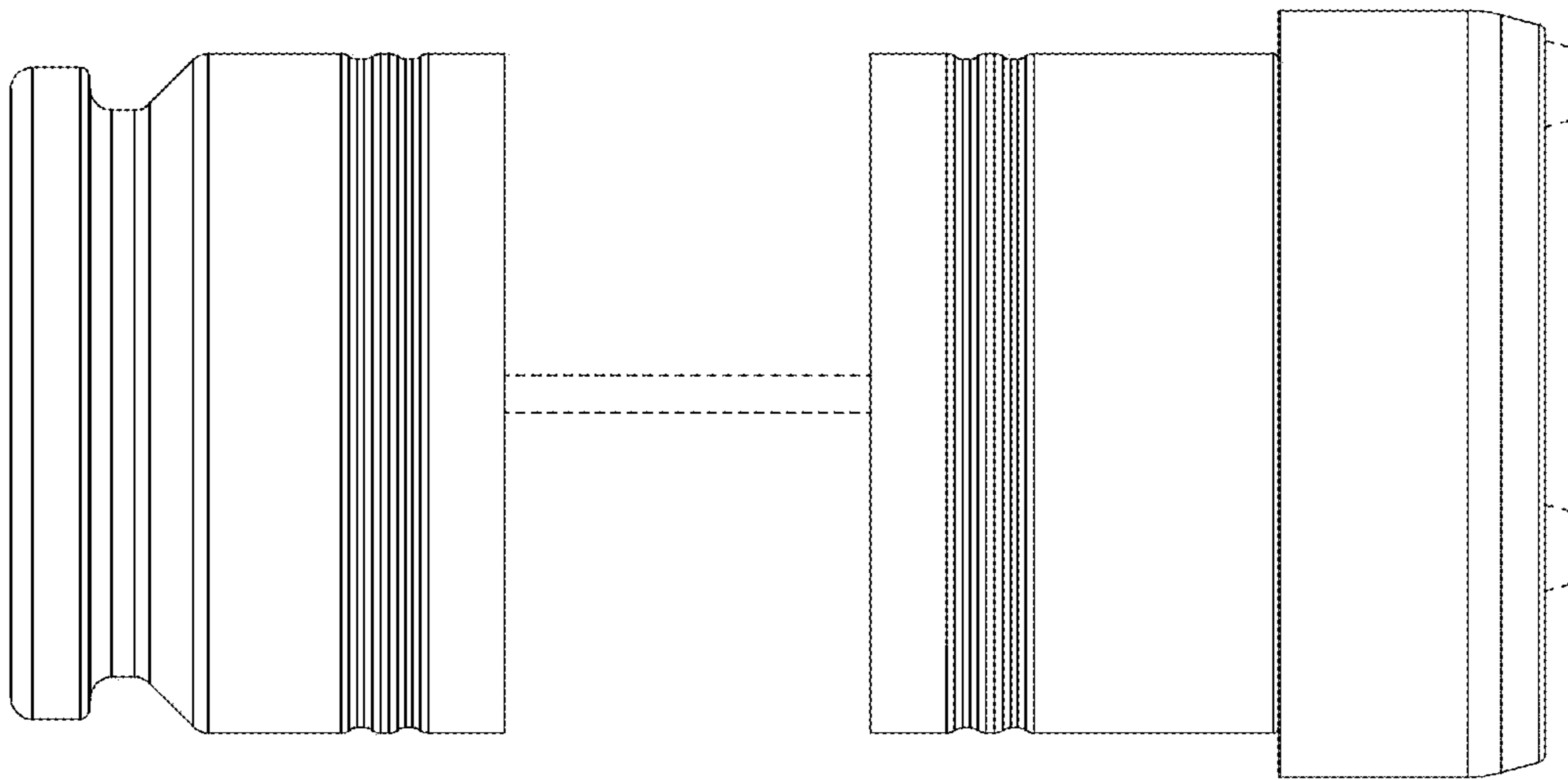


Fig.11

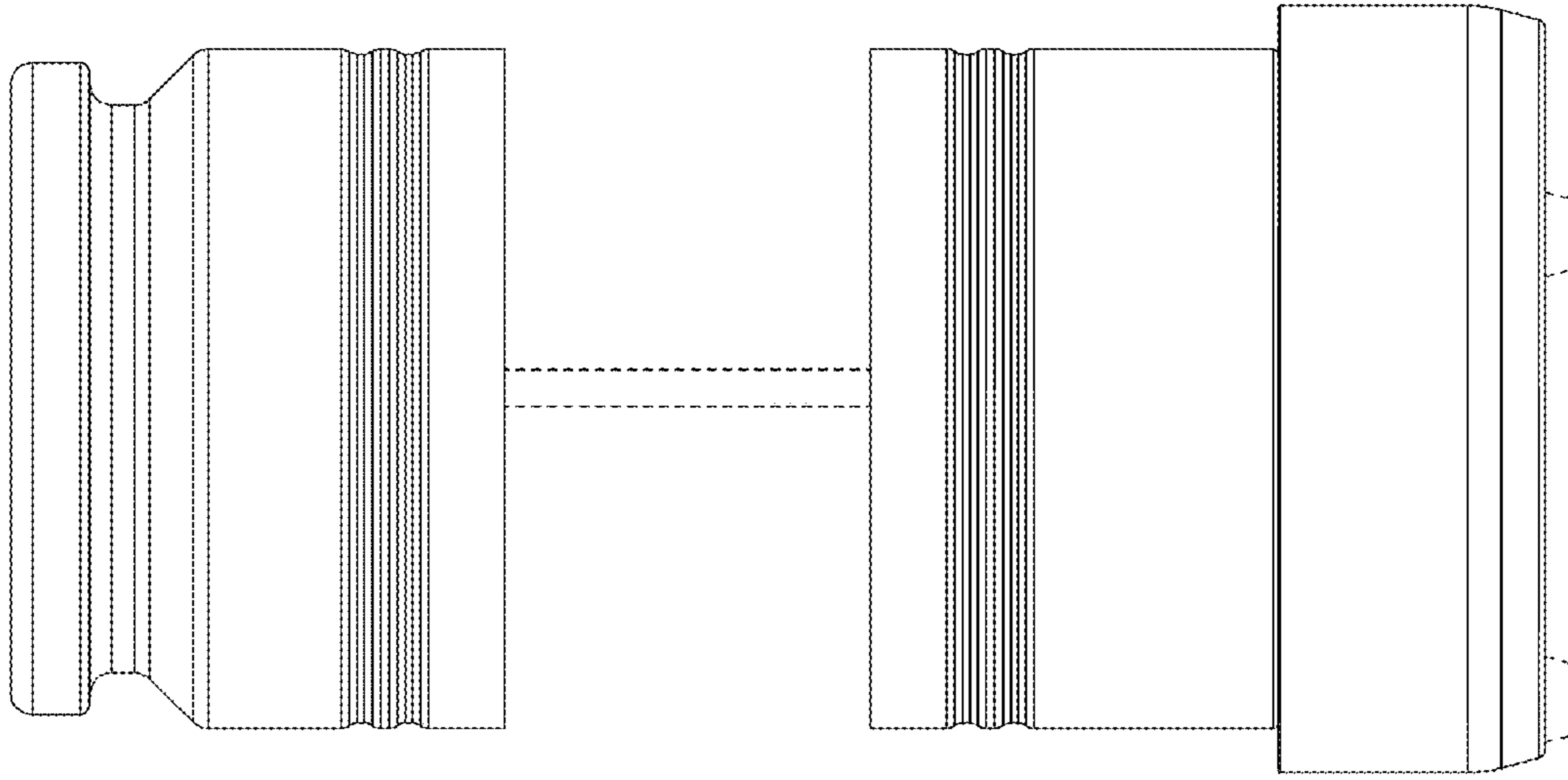


Fig.12

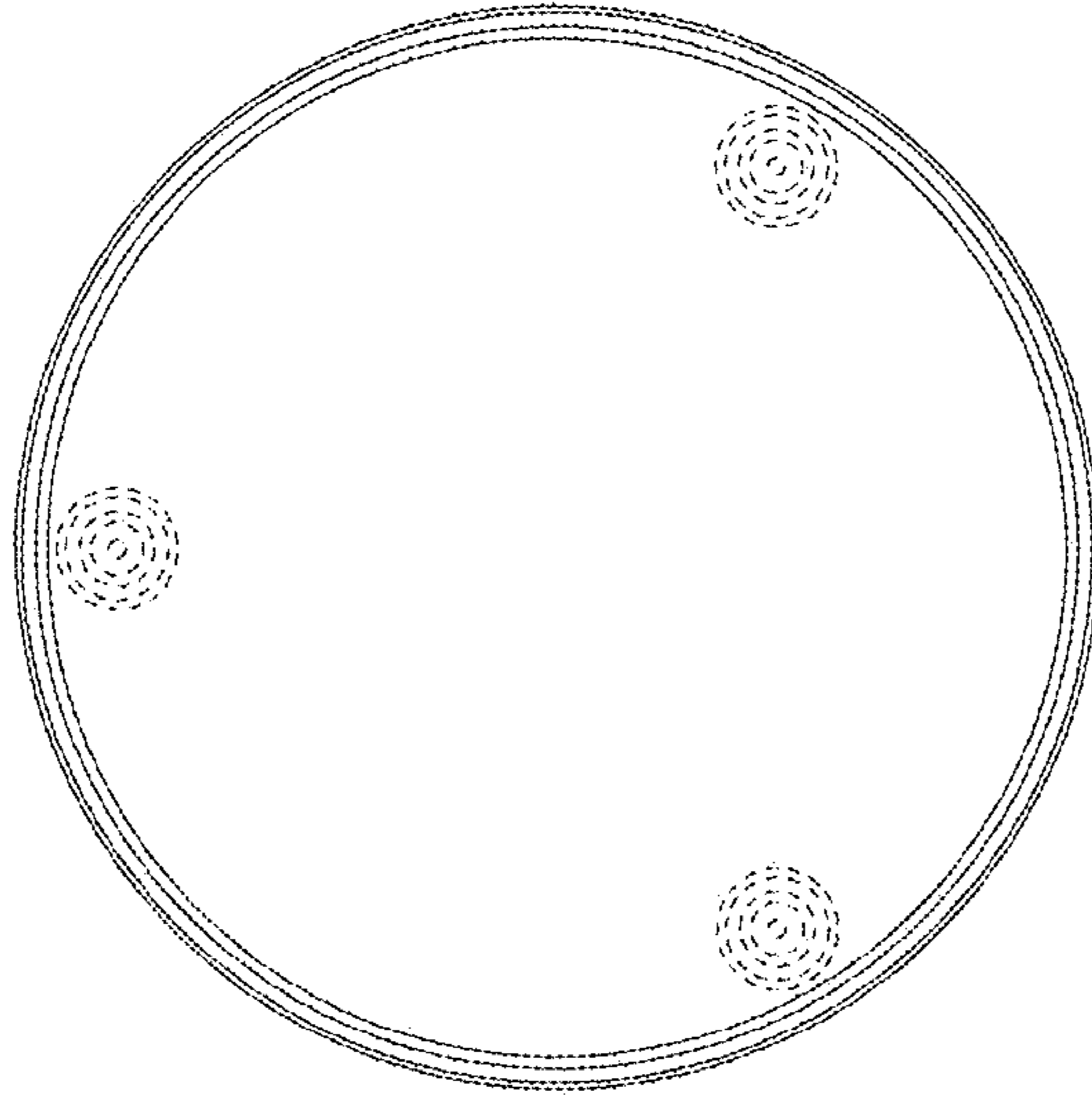


Fig.14

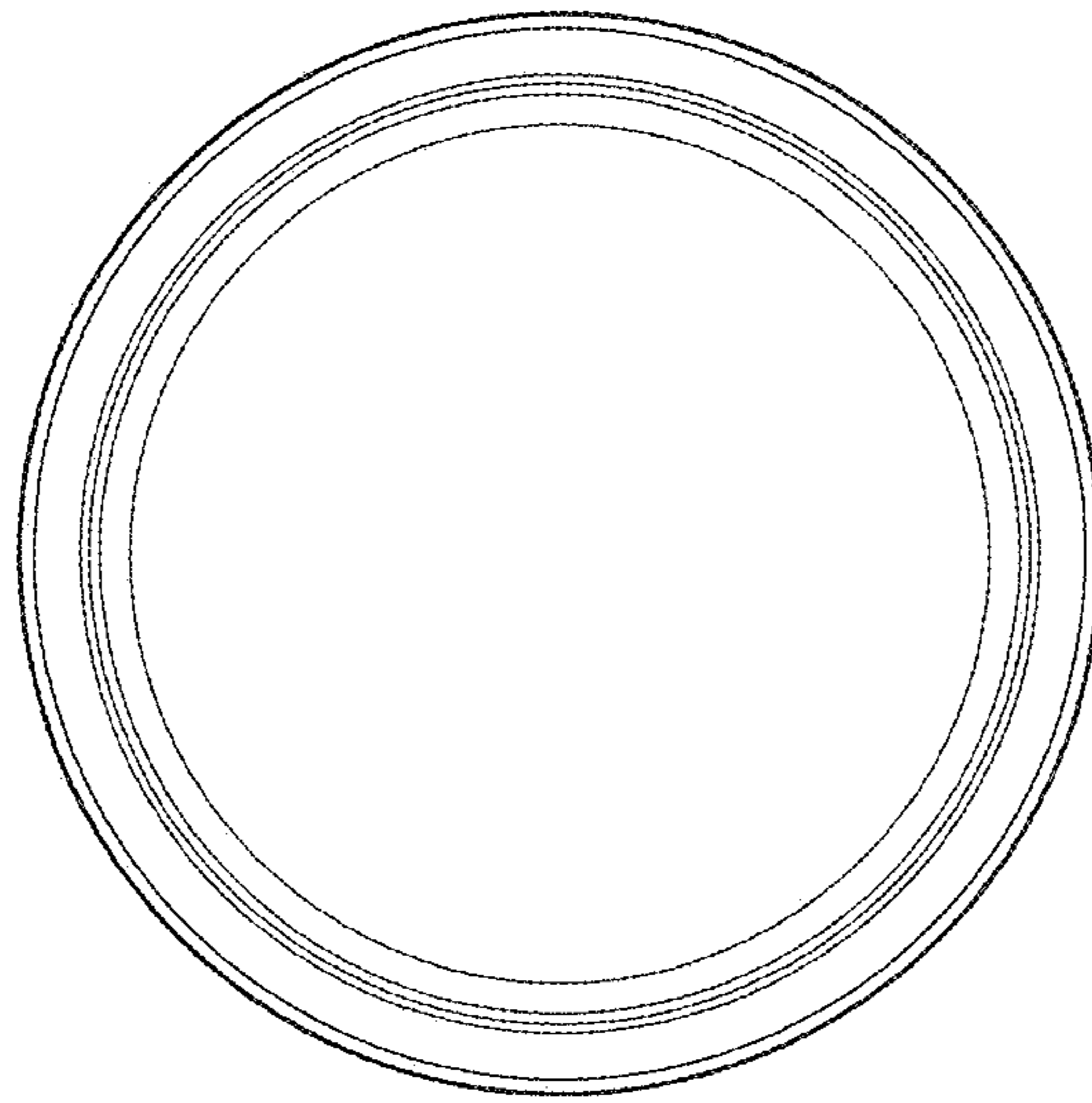


Fig.13

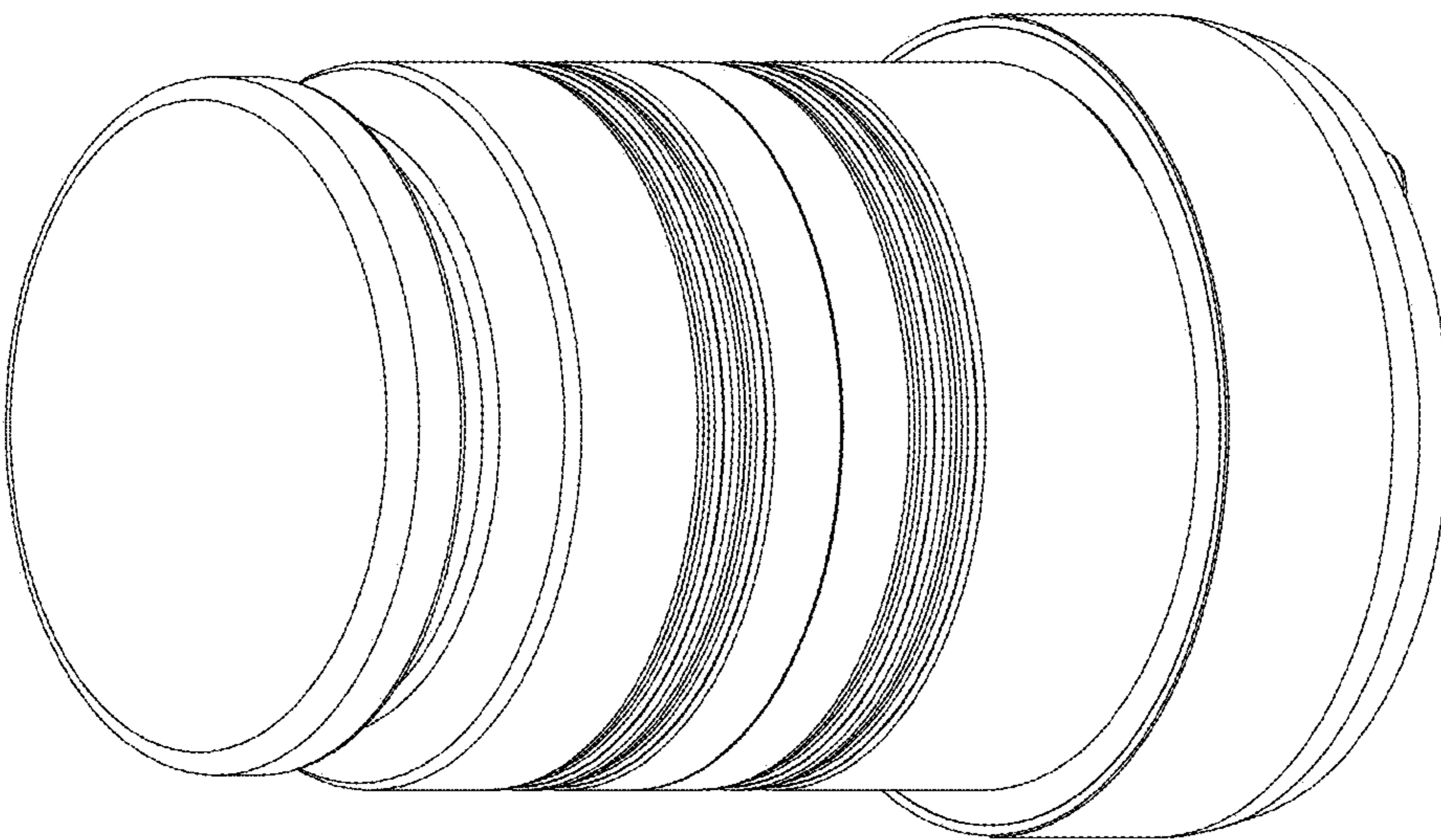


Fig.15

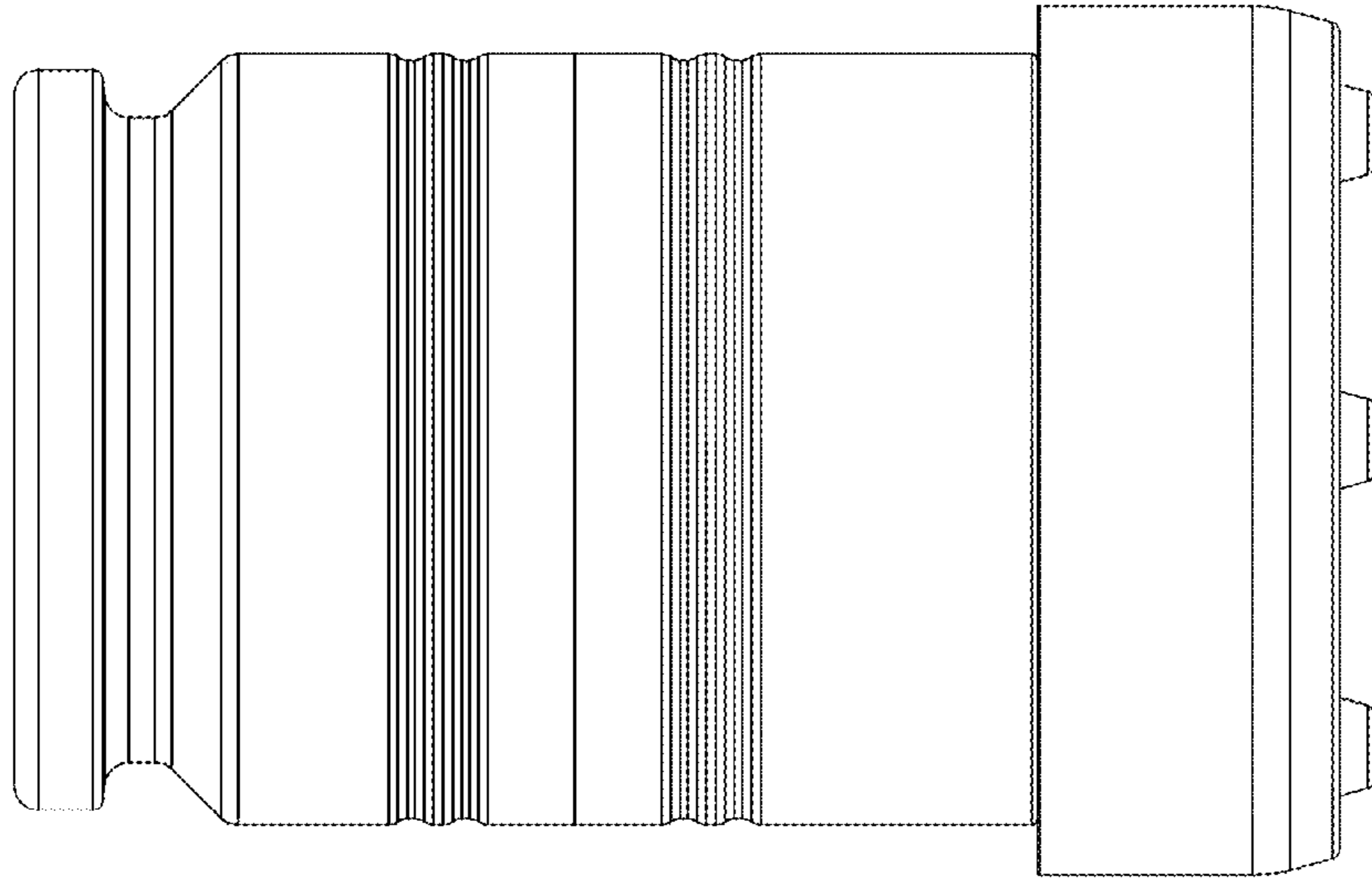


Fig.16

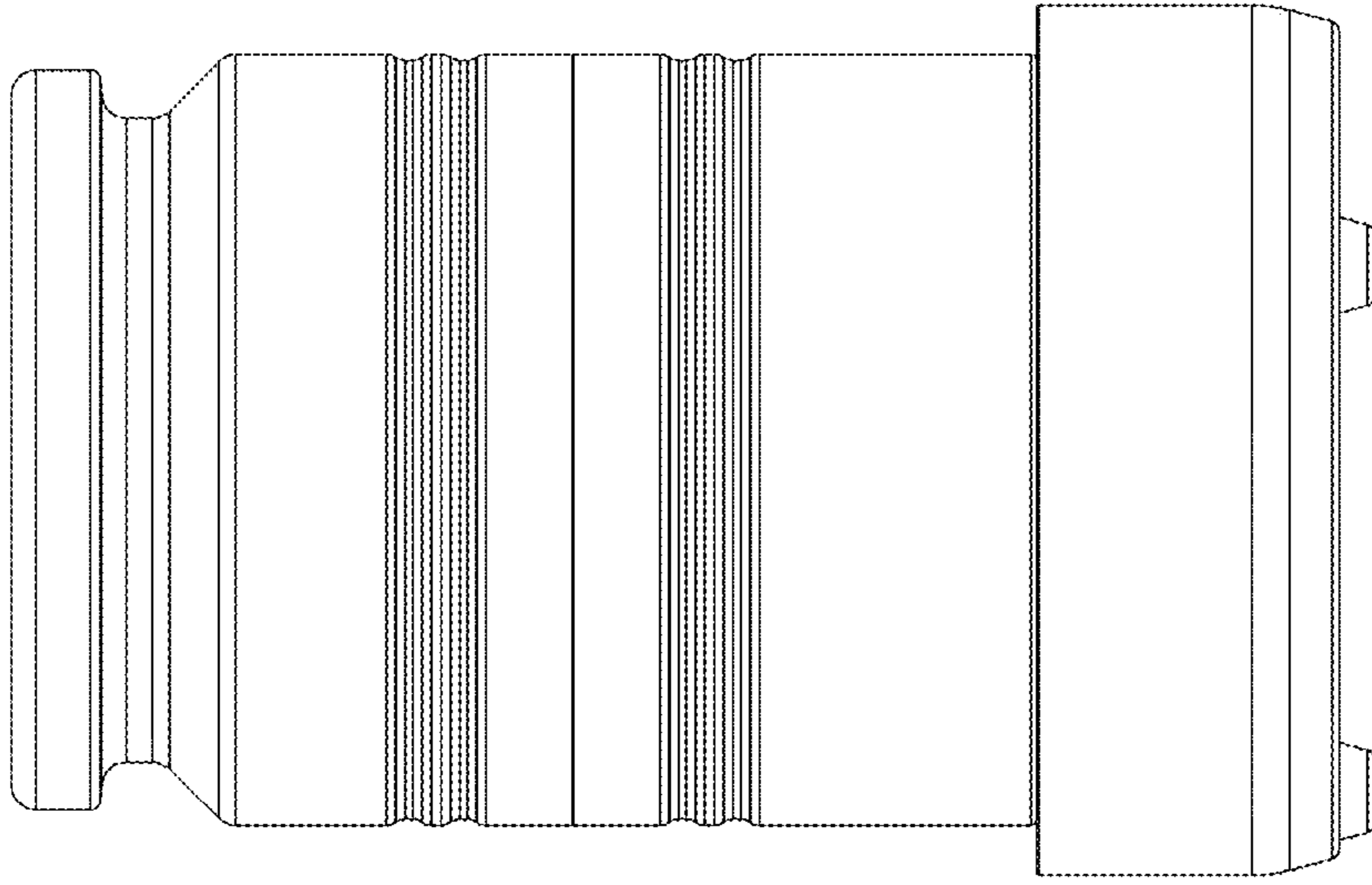


Fig.19

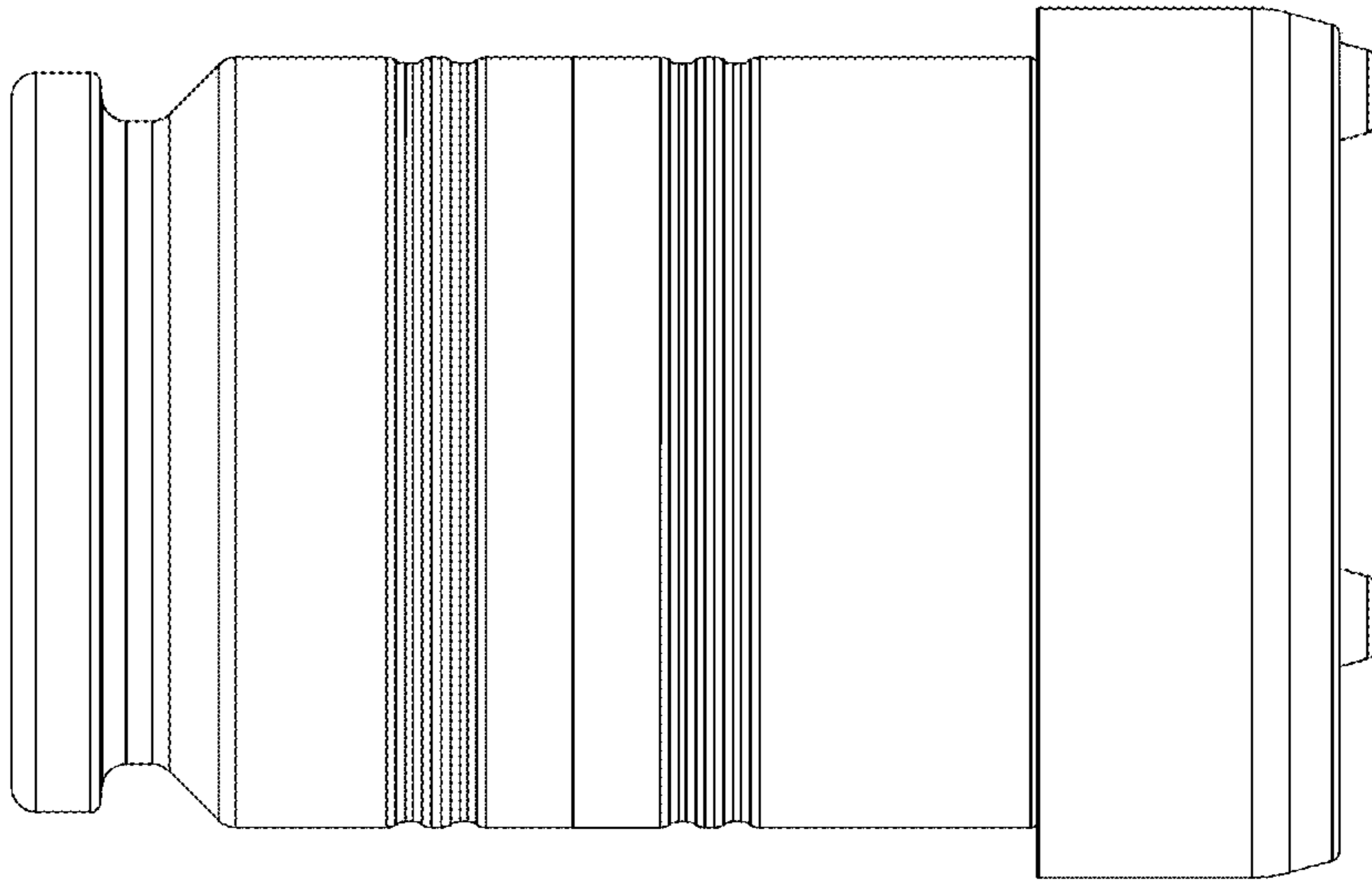


Fig.18

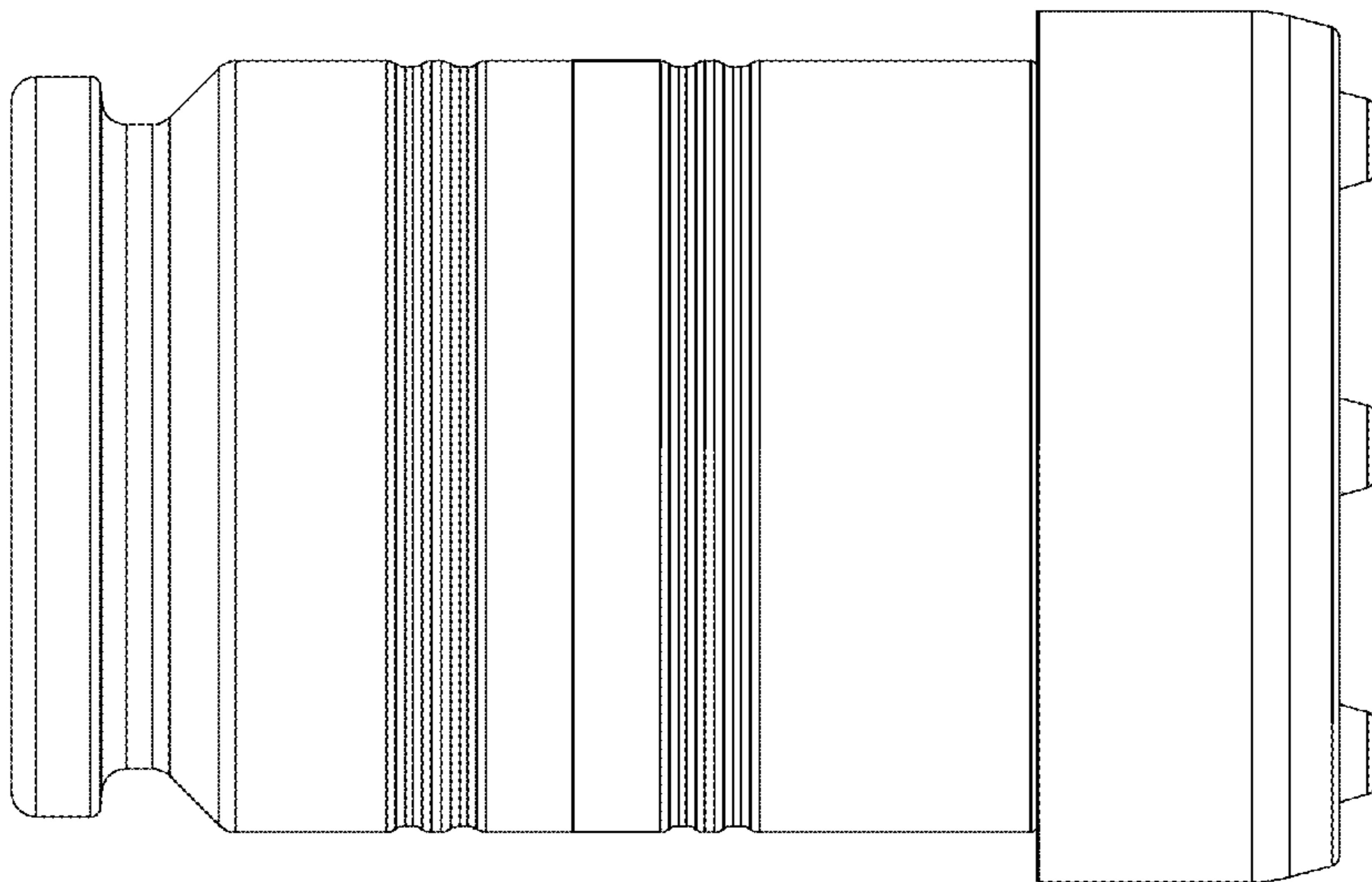


Fig.17

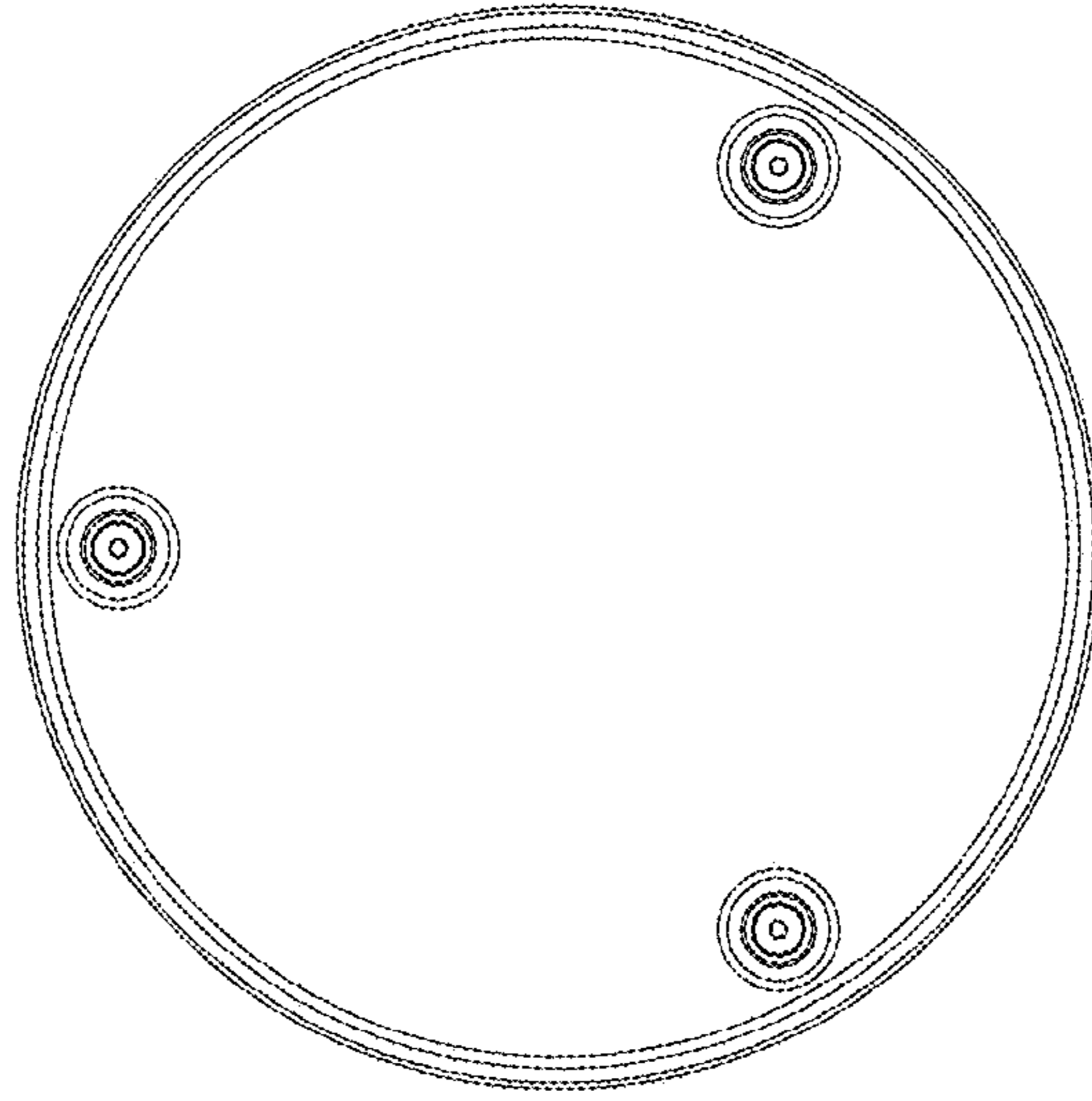


Fig.21

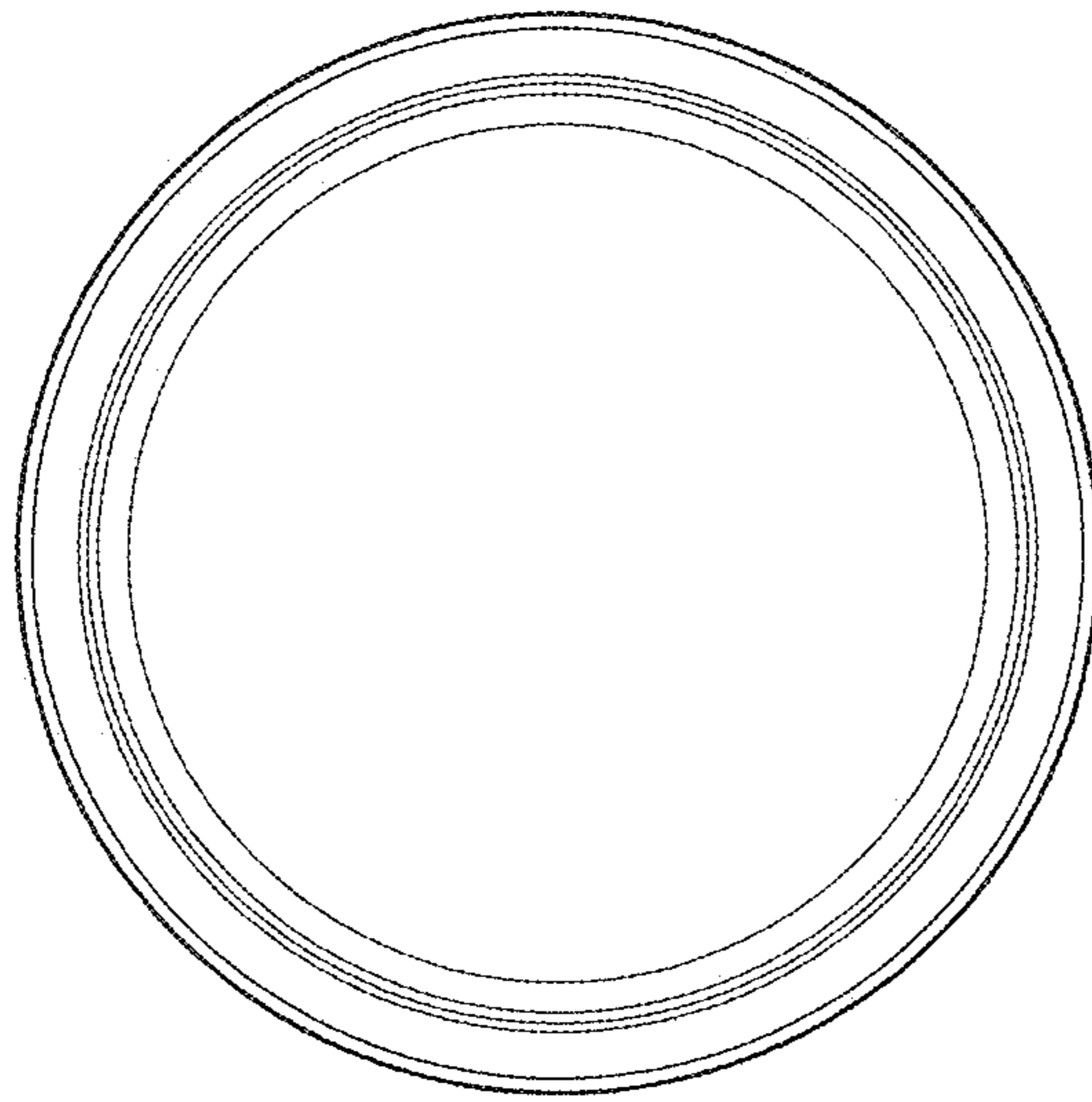


Fig.20

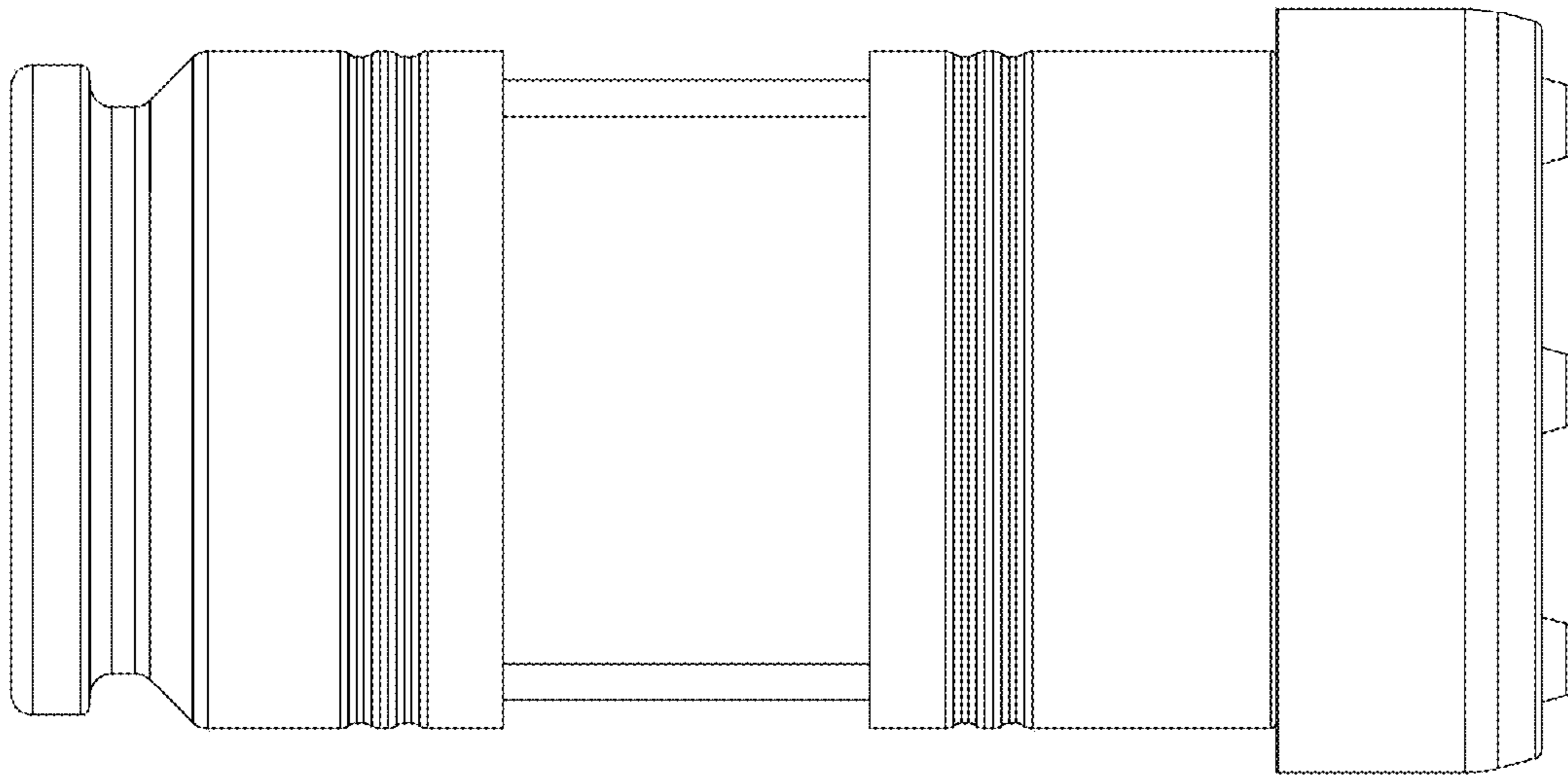


Fig.23

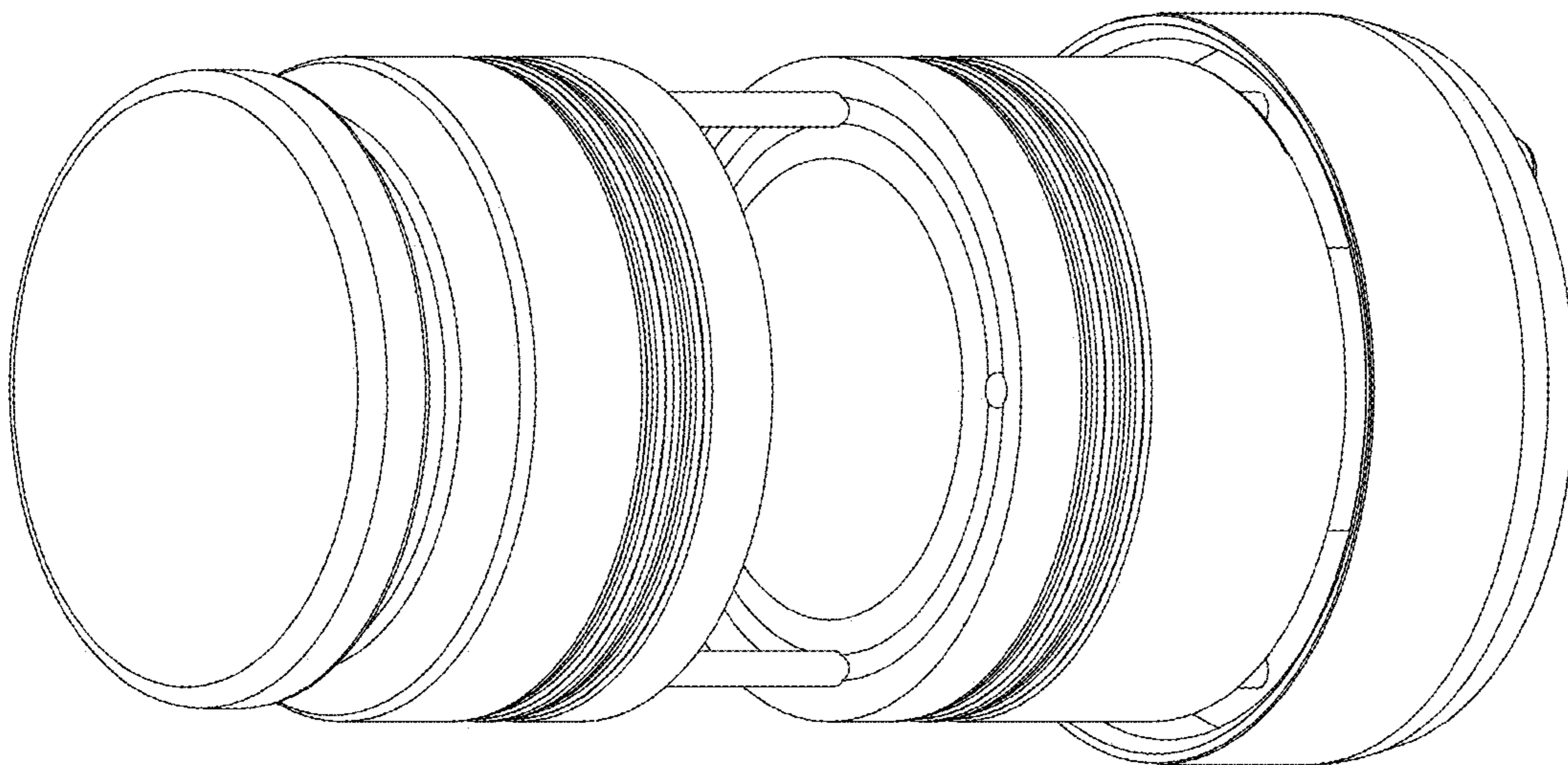


Fig.22

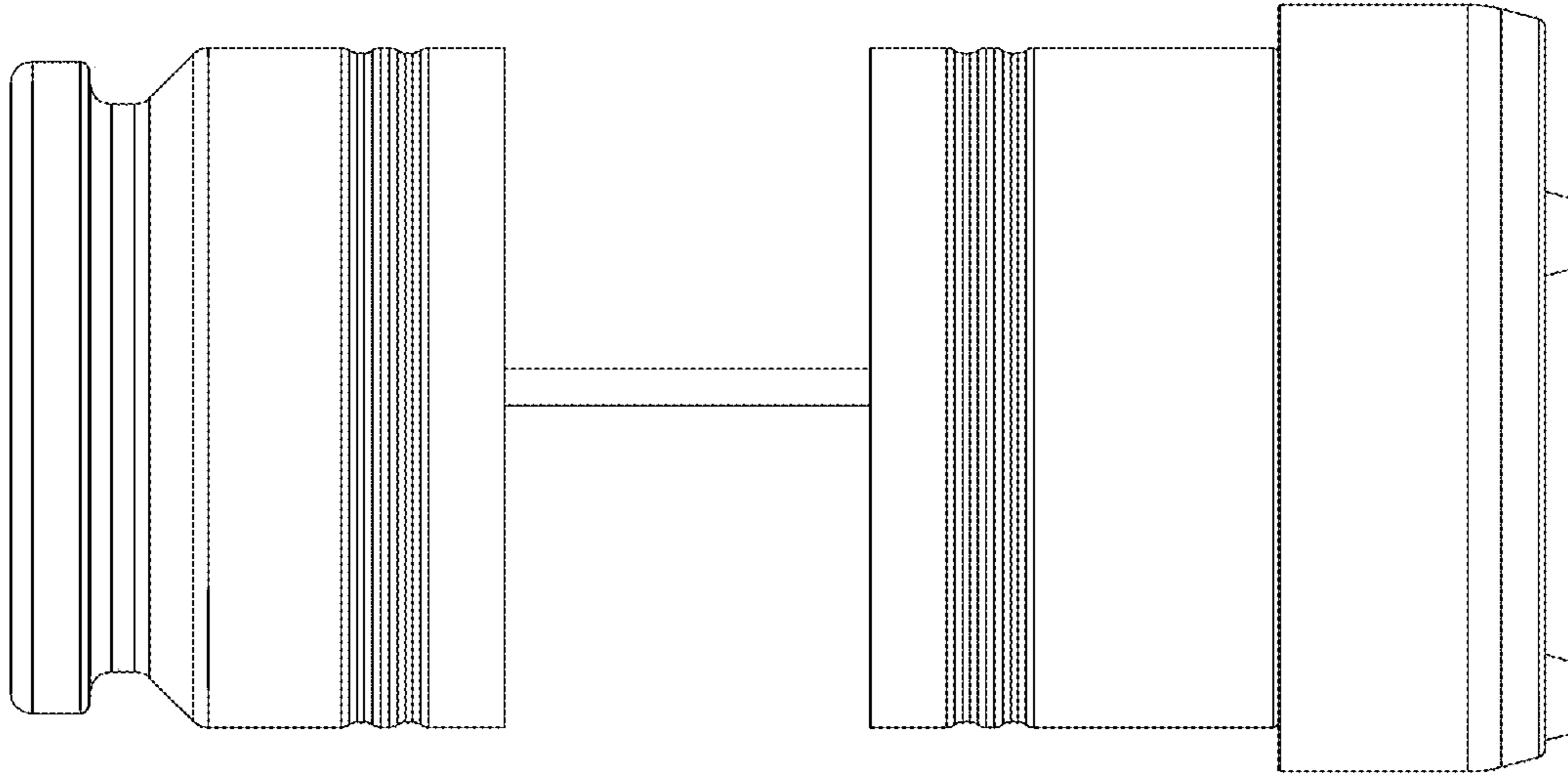


Fig.26

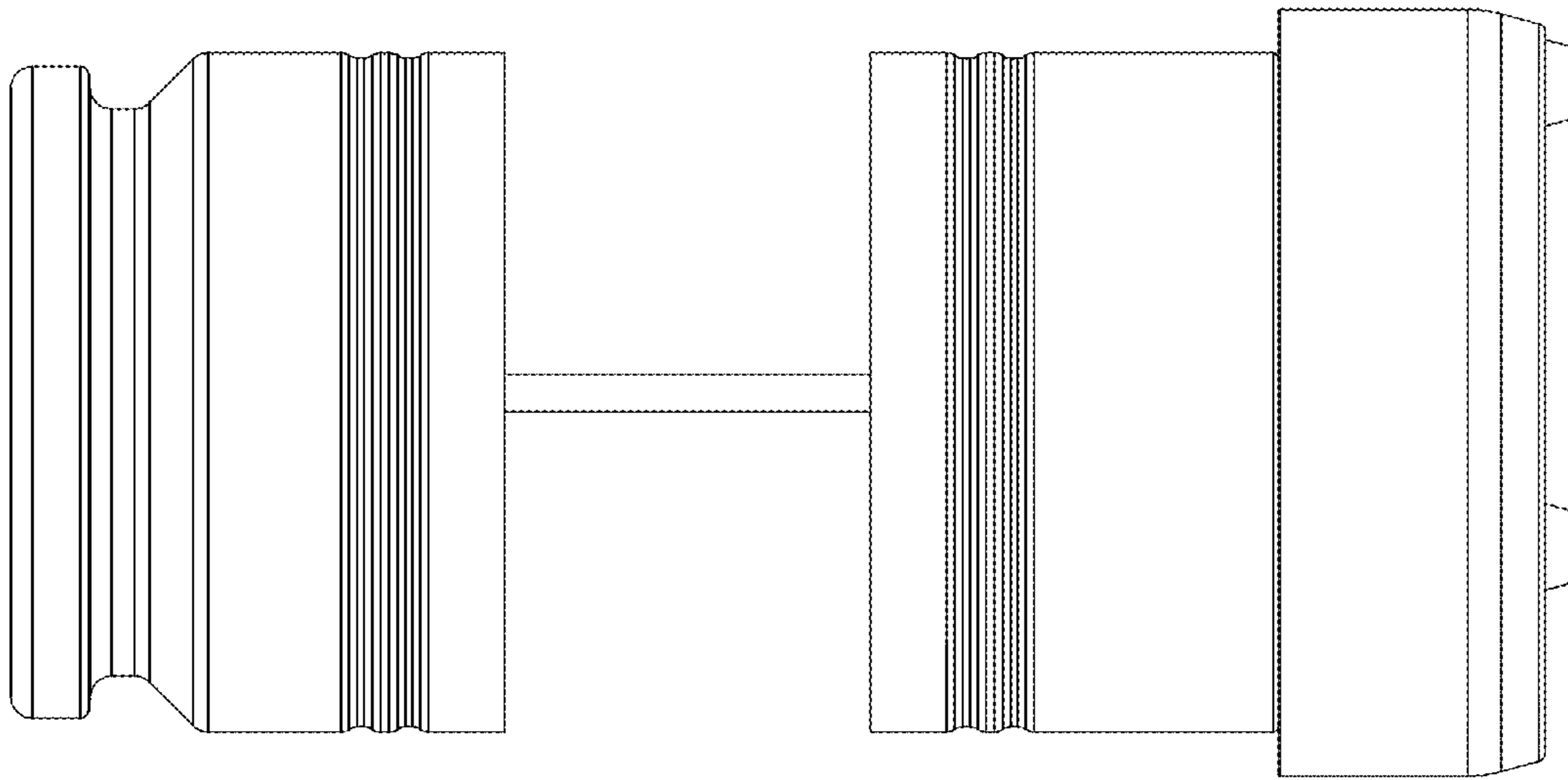


Fig.25

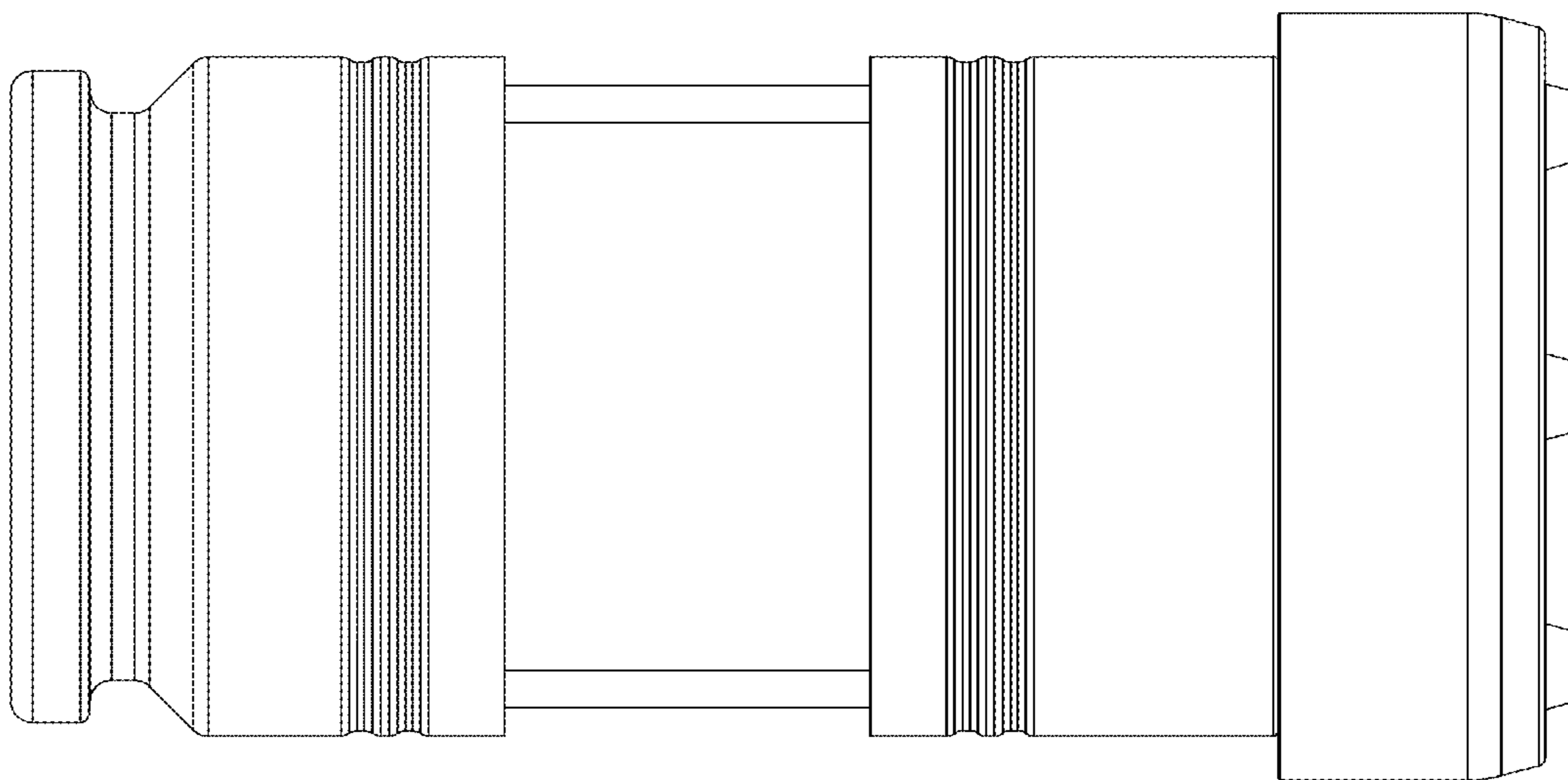


Fig.24

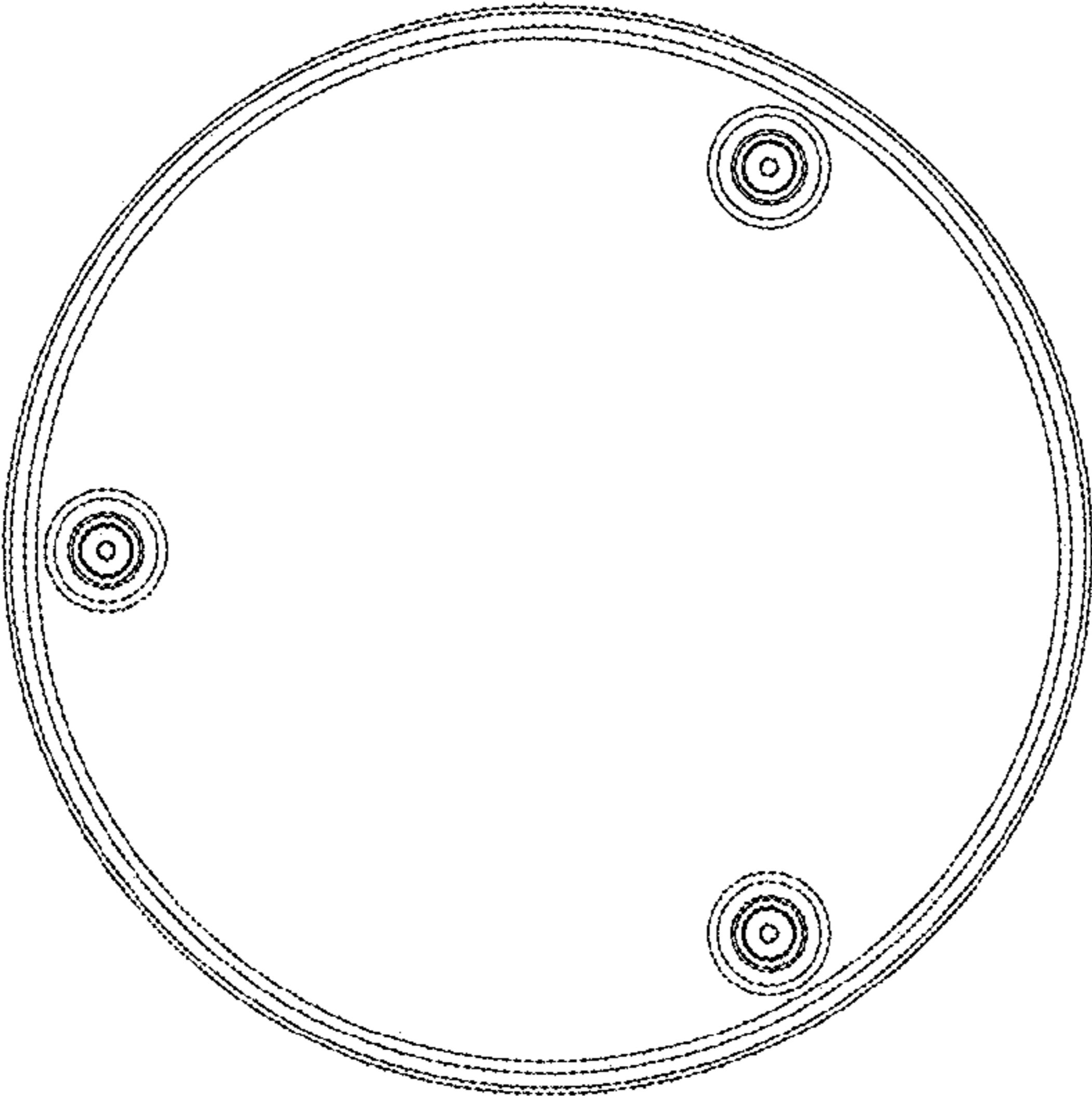


Fig.28

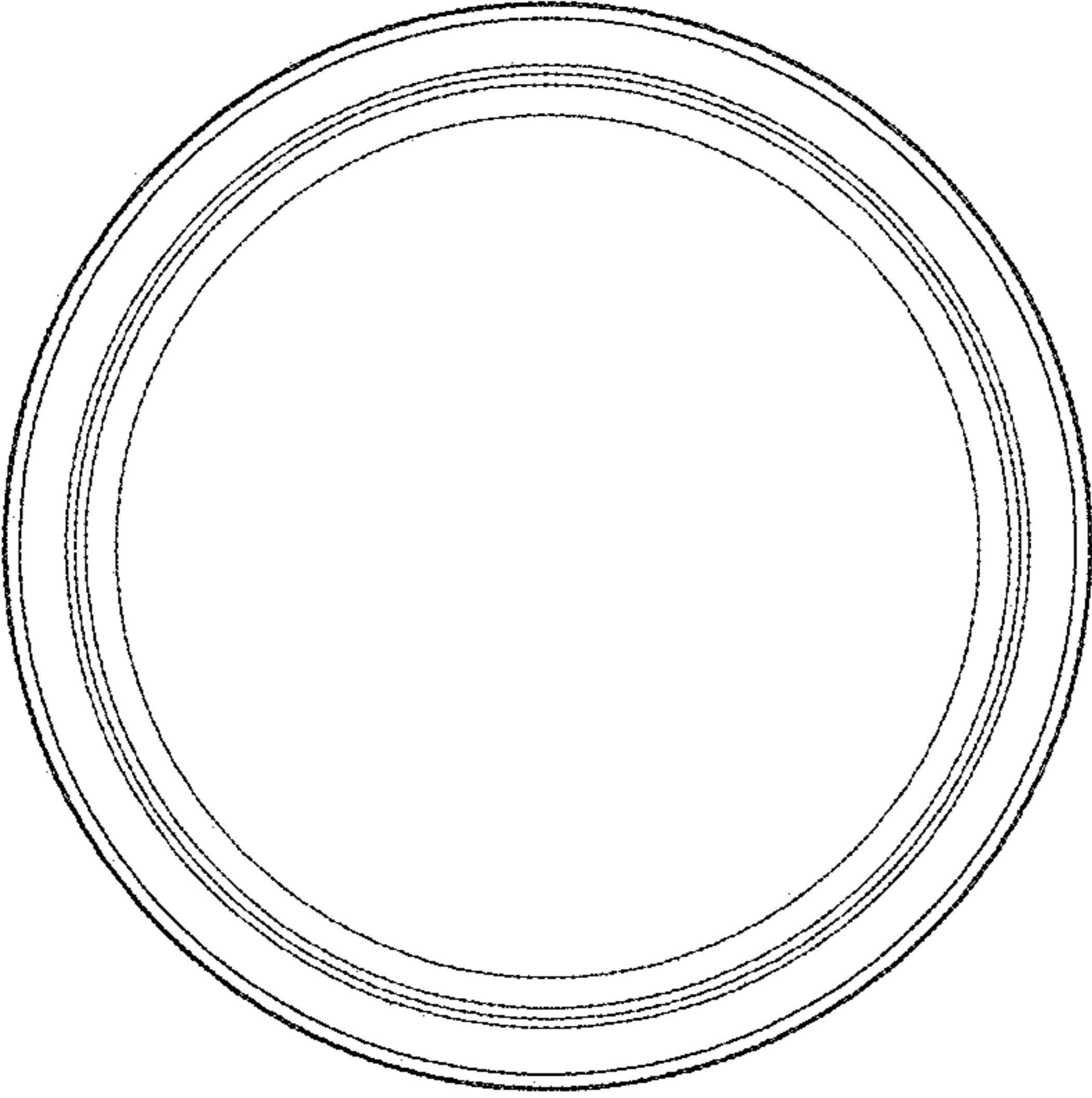


Fig.27