



US00D908146S

(12) **United States Design Patent** (10) **Patent No.:** **US D908,146 S**
Kim et al. (45) **Date of Patent:** **** Jan. 19, 2021**

(54) **REFRIGERATOR**

(71) Applicant: **LG ELECTRONICS INC.**, Seoul (KR)
 (72) Inventors: **Joosang Kim**, Seoul (KR); **Yezo Yun**, Seoul (KR); **Kyukwan Choi**, Seoul (KR)

(73) Assignee: **LG Electronics Inc.**, Seoul (KR)

(**) Term: **15 Years**

(21) Appl. No.: **35/508,250**

(22) Filed: **Jun. 25, 2019**

(80) **Hague Agreement Data**

Int. Filing Date: **Jun. 25, 2019**
 Int. Reg. No.: **DM/203768**
 Int. Reg. Date: **Jun. 25, 2019**
 Int. Reg. Pub. Date: **Dec. 27, 2019**

(51) **LOC (13) Cl.** **15-07**

(52) **U.S. Cl.**
 USPC **D15/79**
 CPC **F25D 25/025** (2013.01)

(58) **Field of Classification Search**
 USPC D15/79-91
 CPC F25D 25/025; F25D 23/028; F25D 2323/024; F25D 23/00; F25D 23/02; F25D 2323/021; F25D 23/065; F25D 11/00; F25D 2201/14; F25D 23/021; F25D 23/025; F25D 23/04; F25D 27/00; F25D 23/062; F25D 23/067; F25D 2400/18; F25D 23/08; F25D 23/085; F25D 2500/02; F25D 25/00; F25D 25/005; F25D 25/022; F25D 25/024; F25D 17/047; F25D 2317/041; F25D 2317/04131; F25D 2317/043; F25D 2317/0664; F25D 2321/147; F25D 2323/02; F25D 2323/023

See application file for complete search history.

(56) **References Cited**

U.S. PATENT DOCUMENTS

D484,518	S	*	12/2003	Jiang	D15/89
D511,178	S	*	11/2005	Tunzi	D15/89
D514,138	S	*	1/2006	Jackovin	D15/89
D616,001	S	*	5/2010	Yang	D15/86
8,002,367	B2	*	8/2011	Kim	F25D 23/12 312/401
D654,515	S	*	2/2012	Hwang	D15/85
D657,402	S	*	4/2012	Hwang	D15/86
D668,276	S	*	10/2012	Jungwirth	D15/89
D673,588	S	*	1/2013	Choi	D15/89
D710,402	S	*	8/2014	Jeon	D15/86
D736,274	S	*	8/2015	Lee	D15/89
D737,344	S	*	8/2015	Lee	D15/89
D744,013	S	*	11/2015	Pfaff	D15/89
D751,126	S	*	3/2016	Pfaff	D15/89
D766,997	S	*	9/2016	Lee	D15/89
D767,651	S	*	9/2016	Heinzle	D15/89
D770,542	S	*	11/2016	Floeter Junior	D15/89
D784,429	S	*	4/2017	Kim	D15/89
D807,412	S	*	1/2018	Lee	D15/89
D839,317	S	*	1/2019	de Cavalcanti	D15/89
D852,234	S	*	6/2019	de Cavalcanti	D15/89

(Continued)

Primary Examiner — Richard E Chilcot

(74) *Attorney, Agent, or Firm* — Birch, Stewart, Kolasch & Birch, LLP

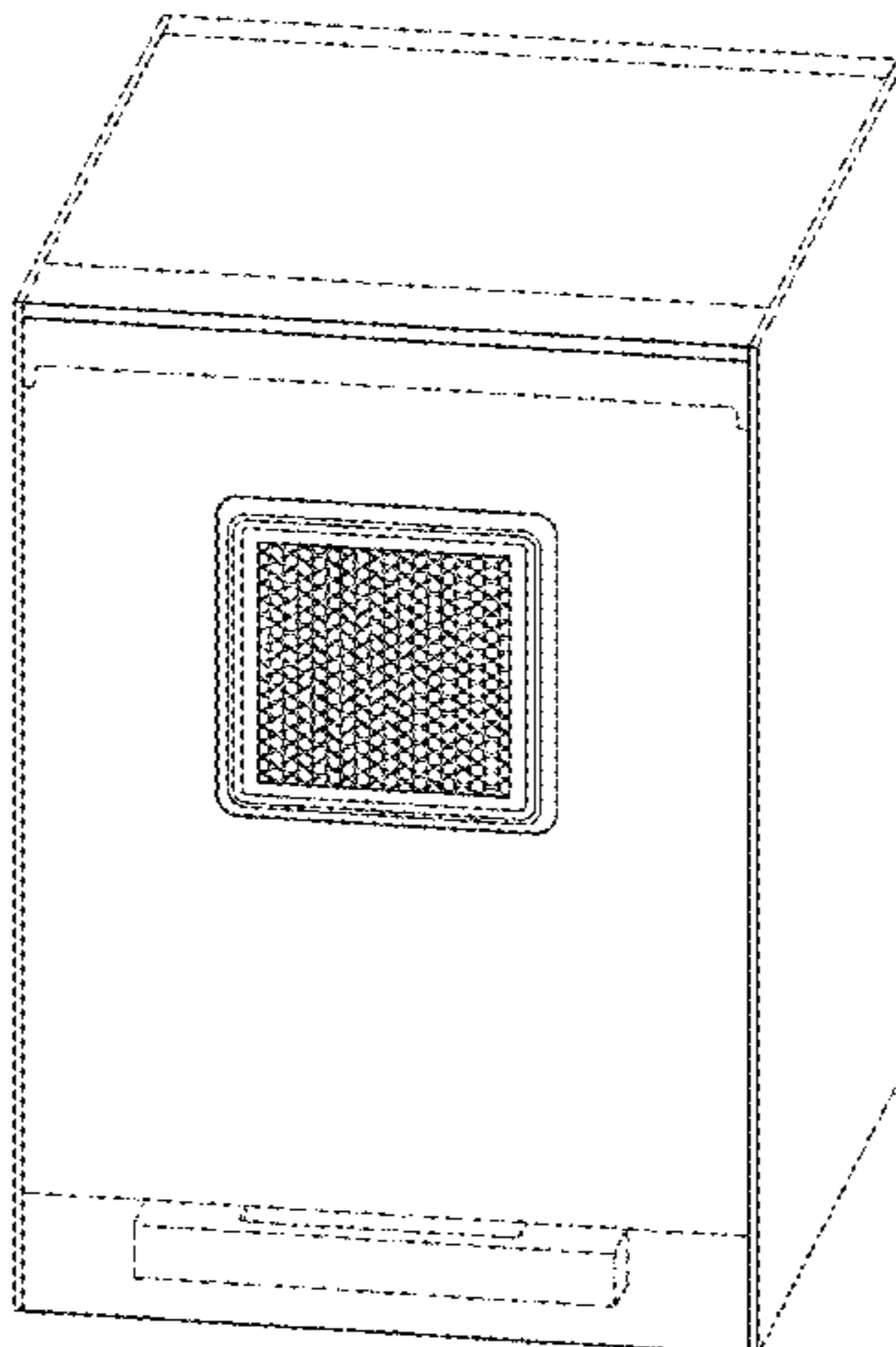
(57) **CLAIM**

The ornamental design for a refrigerator, as shown and described.

DESCRIPTION

1. Refrigerator
- 1.1 : Rear perspective view
- 1.2 : Front
- 1.3 : Back
- 1.4 : Left
- 1.5 : Right
- 1.6 : Top
- 1.7 : Bottom

(Continued)



The parts shown by means of broken lines in the reproductions are not part of the claimed design.

1 Claim, 7 Drawing Sheets

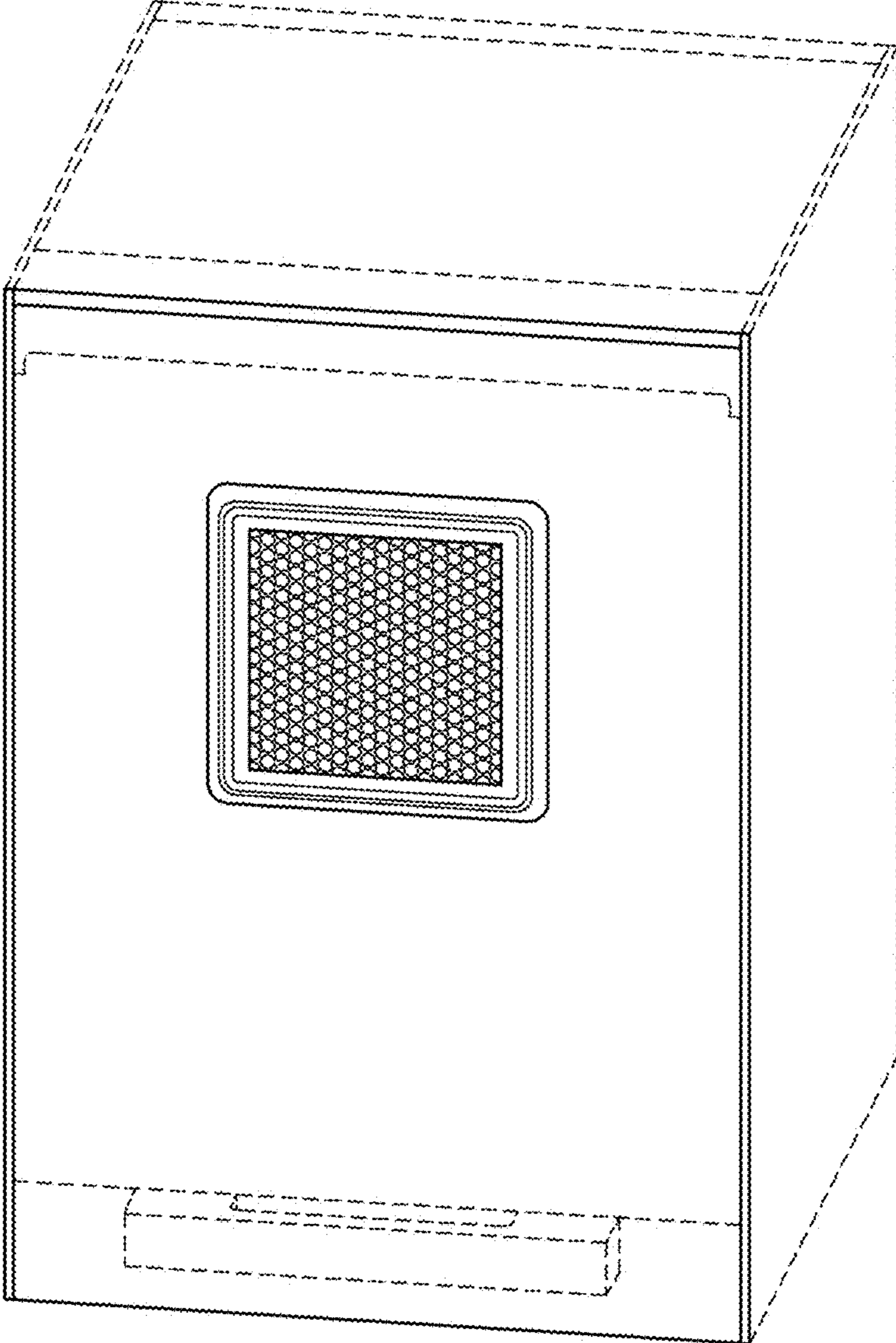
(56) **References Cited**

U.S. PATENT DOCUMENTS

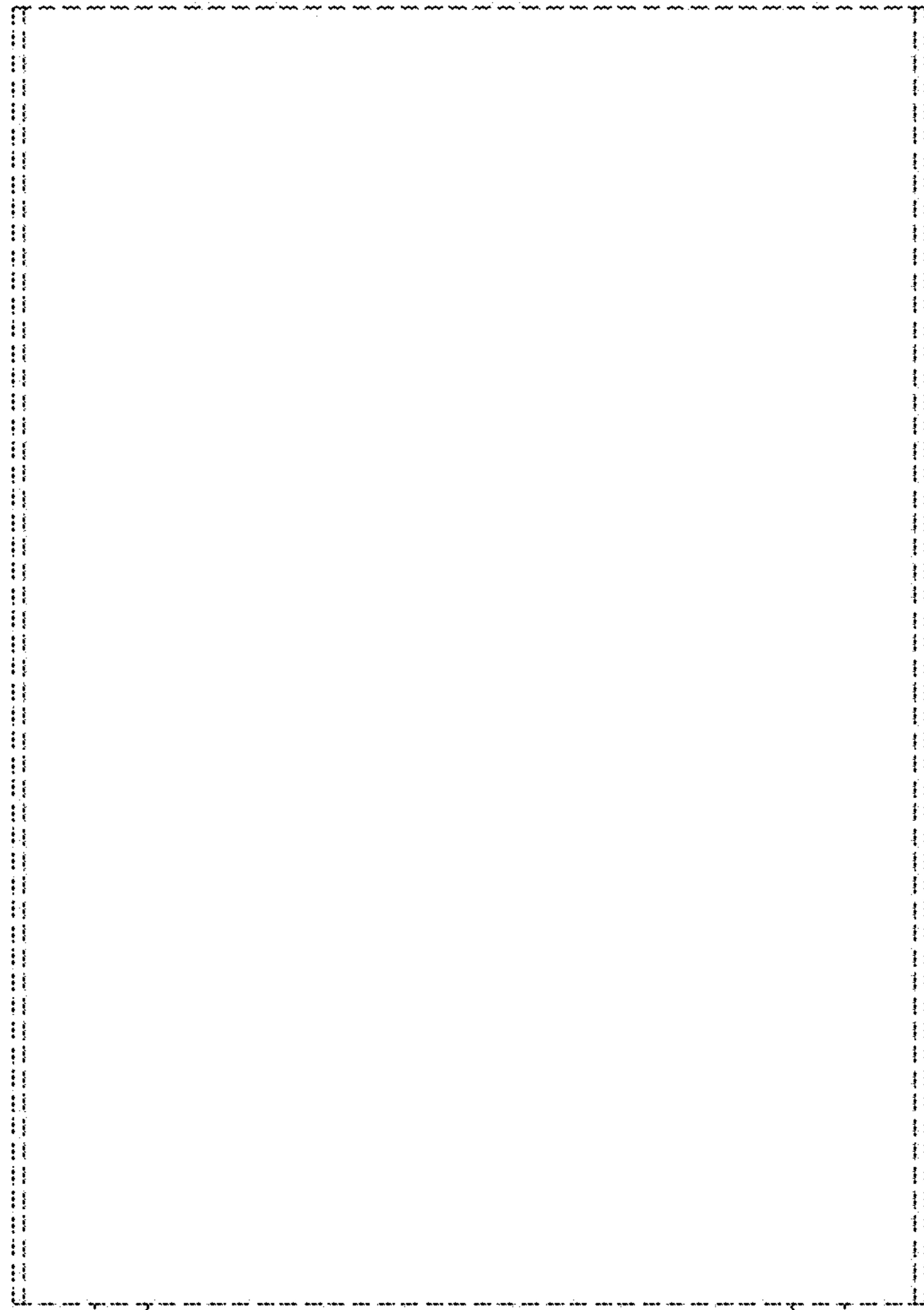
D854,057 S *	7/2019	de Cavalcanti	D15/89
D886,165 S *	6/2020	Olsson	D15/89
D887,459 S *	6/2020	Olsson	D15/85

* cited by examiner

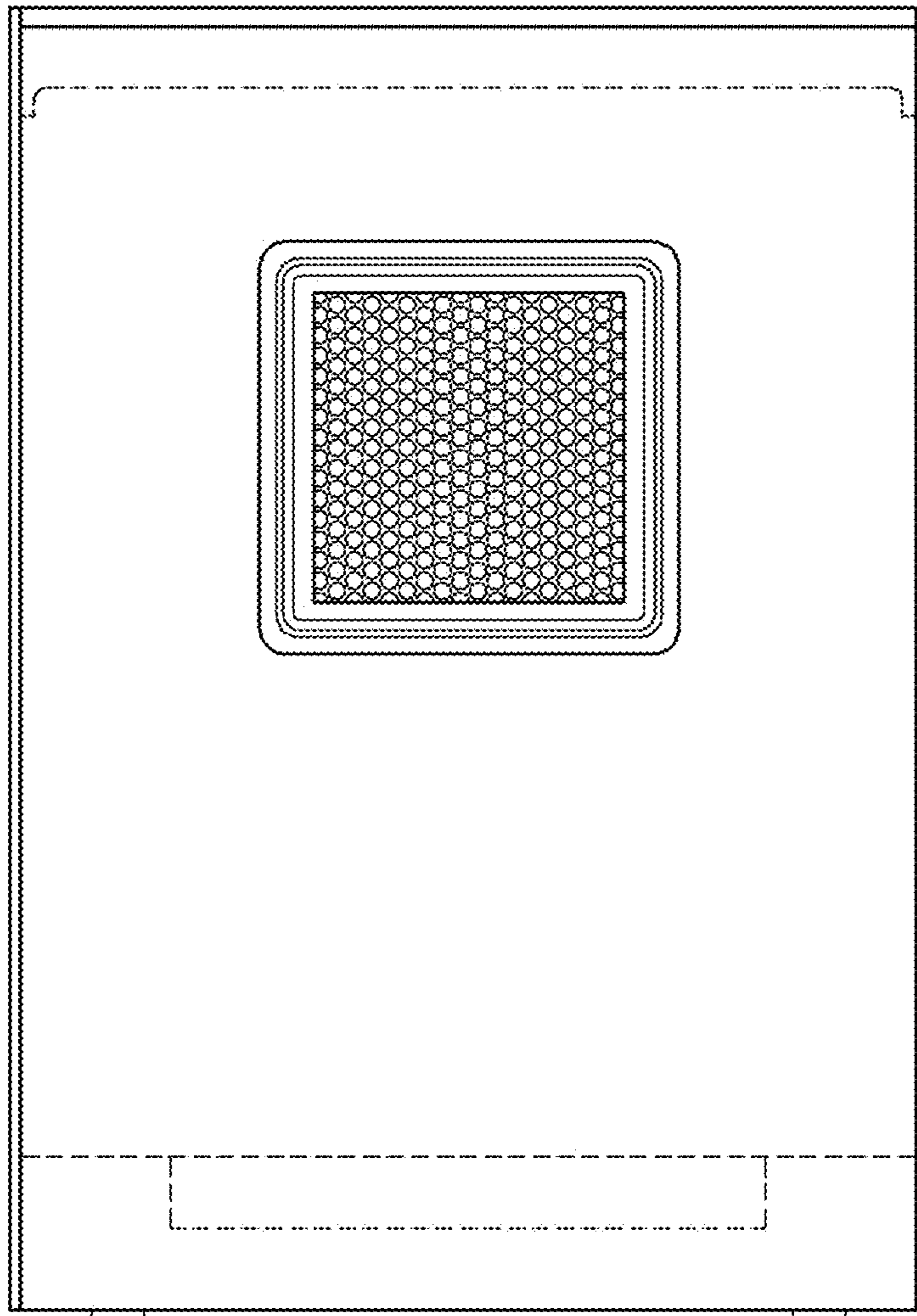
1.1



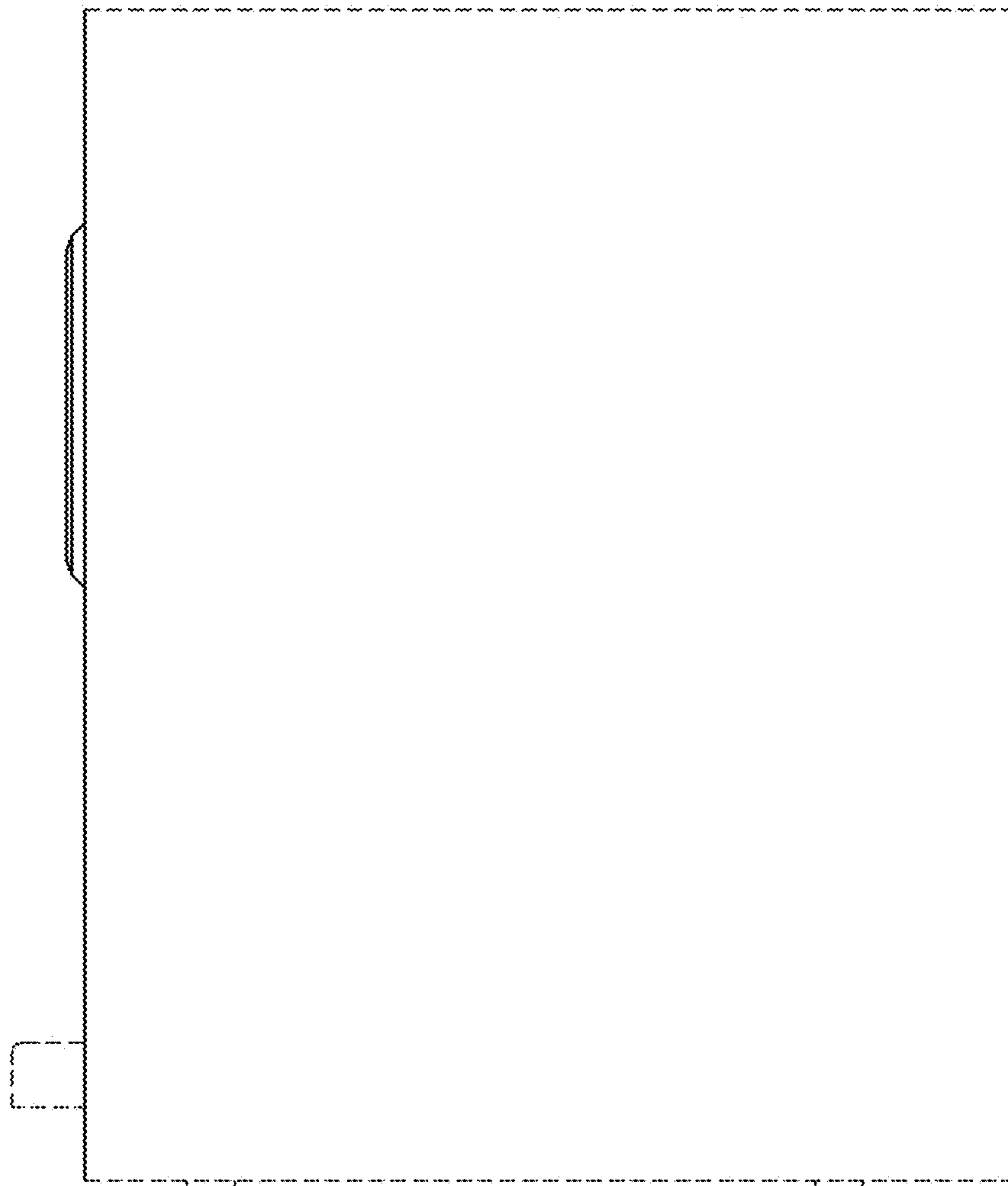
1.2



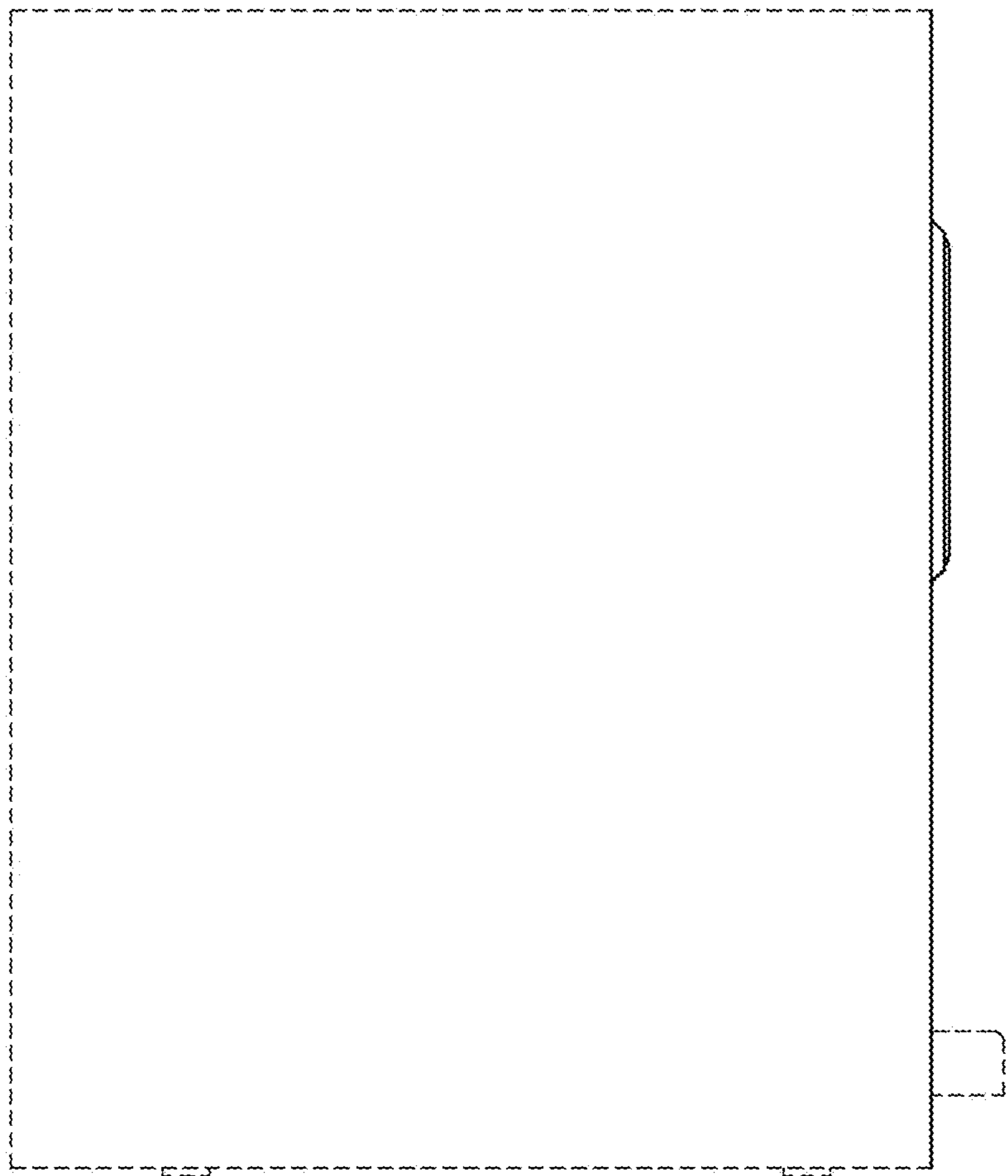
1.3



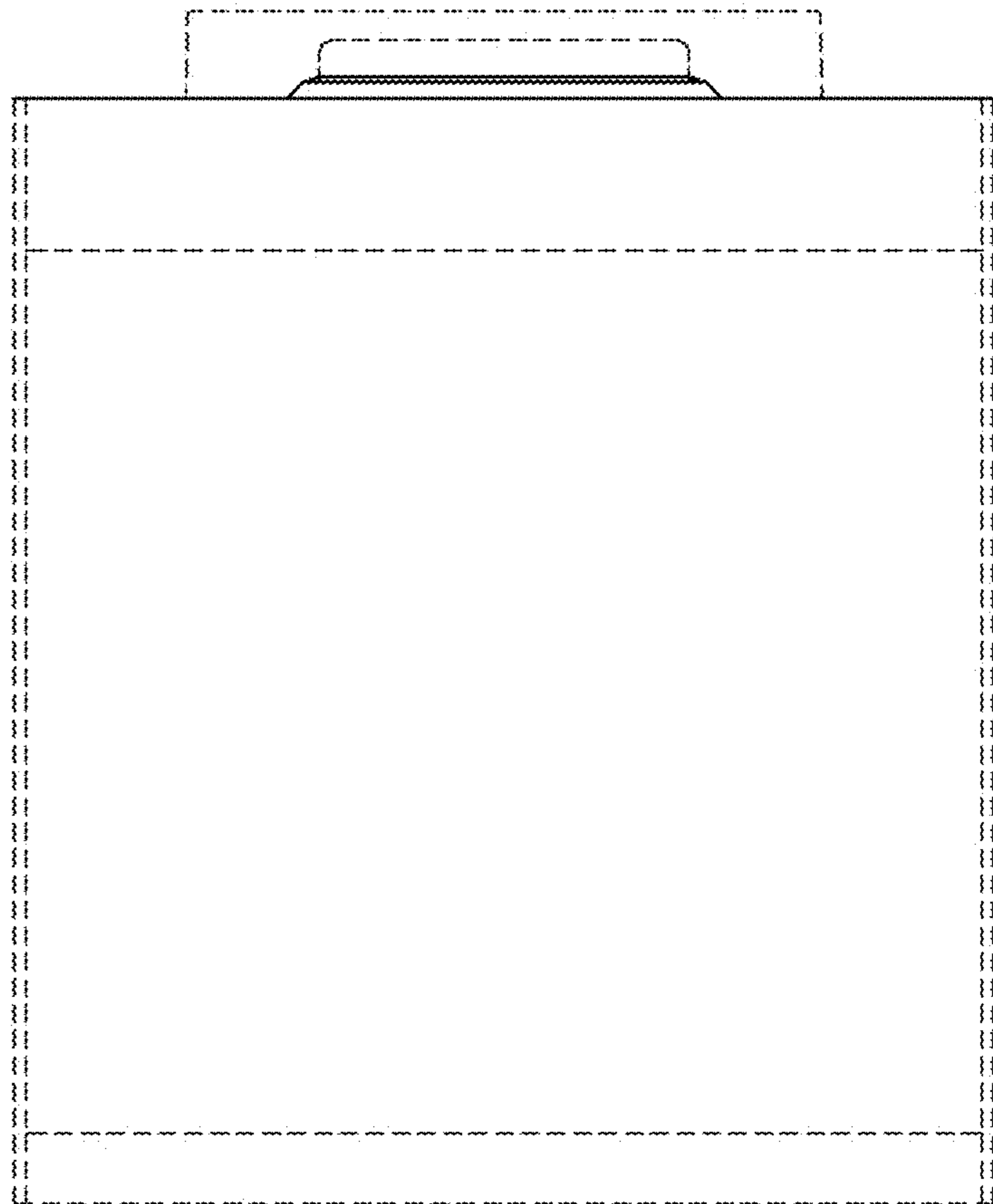
1.4



1.5



1.6



1.7

