



US00D908145S

(12) **United States Design Patent**  
**Yaste et al.**

(10) **Patent No.:** **US D908,145 S**  
(45) **Date of Patent:** **\*\* Jan. 19, 2021**

(54) **CRANE CAB**

(71) Applicant: **Link-Belt Cranes, L.P., LLLP**,  
Lexington, KY (US)

(72) Inventors: **Steven Yaste**, Lexington, KY (US);  
**Brian Smoot**, Versailles, KY (US);  
**Richard Shultz**, Carlisle, KY (US)

(73) Assignee: **LINK-BELT CRANES, L.P., LLLP**,  
Lexington, KY (US)

(\*\*) Term: **15 Years**

(21) Appl. No.: **29/627,111**

(22) Filed: **Nov. 22, 2017**

(51) **LOC (13) Cl.** ..... **15-03**

(52) **U.S. Cl.**  
USPC ..... **D15/30**

(58) **Field of Classification Search**  
USPC ..... D15/10, 22-26, 28, 30; 180/89.1, 89.12,  
180/89.13, 900, 9.1, 9.2, 9.62; 37/379;  
414/694, 699, 722-724, 660, 685, 698,  
414/719, 743

CPC ..... E02F 3/32; E02F 3/76; E02F 3/40; E02F  
3/325; E02F 3/352; E02F 3/384; E02F  
3/425; E02F 3/437; E02F 3/627; E02F  
3/964; E02F 9/163; E02F 9/0858; E02F  
9/0875; E02F 9/2045; E02F 9/006; E02F  
9/0808; E02F 9/0833; E02F 9/2004; E02F  
9/207; E02F 9/2091; E02F 9/2246; E02F  
9/2292

See application file for complete search history.

(56) **References Cited**

**U.S. PATENT DOCUMENTS**

D249,523 S \* 9/1978 Segales ..... D15/30  
D366,267 S 1/1996 Lepoix  
D389,984 S 1/1998 Johansson

D427,612 S 7/2000 Shim  
D455,763 S \* 4/2002 Brandenburg, III ..... D15/30  
D463,461 S \* 9/2002 Yanagida ..... D15/30  
D463,462 S \* 9/2002 Yanagida ..... D15/30  
D463,807 S 10/2002 Tamaru et al.  
D471,213 S \* 3/2003 Kwak ..... D15/30  
D481,044 S \* 10/2003 Tokach ..... D15/30  
D494,986 S \* 8/2004 Tokach ..... D15/30  
D497,920 S \* 11/2004 Antonetti ..... D15/30  
D528,134 S 9/2006 Vandendriessche et al.  
D531,646 S \* 11/2006 McCarren, Jr. .... D15/30  
D531,647 S \* 11/2006 Stender ..... D15/30  
D541,825 S \* 5/2007 Pettersson ..... D15/30  
D541,826 S \* 5/2007 Brush ..... D15/30  
D549,245 S \* 8/2007 Antonetti ..... D15/30  
D561,205 S \* 2/2008 Pettersson ..... D15/30  
D579,028 S \* 10/2008 VanDeVeer ..... D15/30  
D594,037 S 6/2009 Uemura  
D594,480 S \* 6/2009 Gicquel ..... D15/30

(Continued)

*Primary Examiner* — Mark A Goodwin

(74) *Attorney, Agent, or Firm* — King & Schickli, PLLC

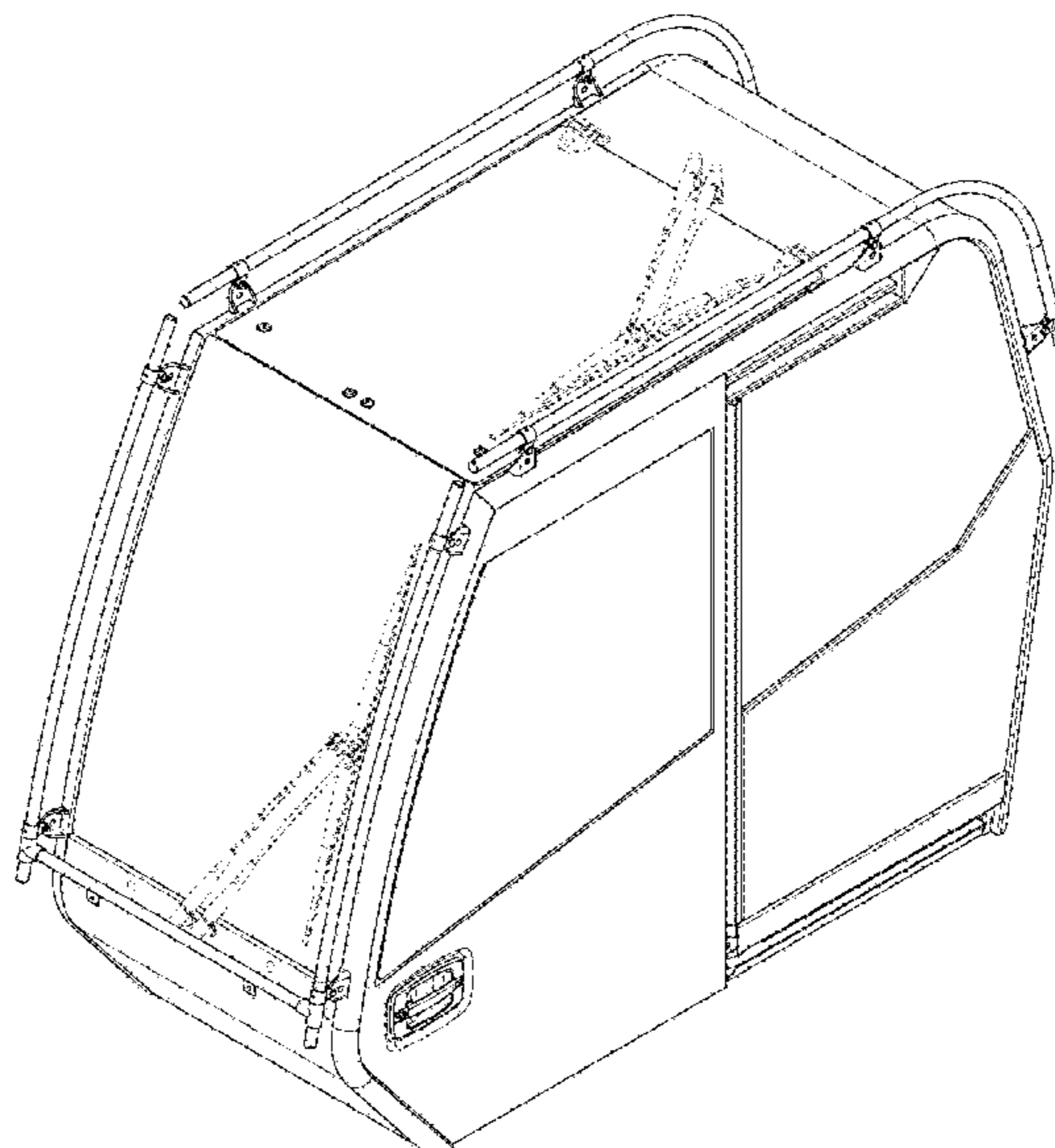
(57) **CLAIM**

The ornamental design for a crane cab, as shown and described.

**DESCRIPTION**

FIG. 1 is a top perspective view of a crane cab;  
FIG. 2 is a bottom perspective view of the crane cab;  
FIG. 3 is a front view of the crane cab;  
FIG. 4 is a right side view of the crane cab;  
FIG. 5 is a rear view of the crane cab;  
FIG. 6 is a left side view of the crane cab;  
FIG. 7 is a top view of the crane cab;  
FIG. 8 is a bottom view of the crane cab;  
FIG. 9 is a top perspective view of the crane cab, with a side door in an open condition; and,  
FIG. 10 is a right side view of the FIG. 9 embodiment.  
The broken line showing of elements of the cab or a portions thereof forms no part of the claimed design.

**1 Claim, 9 Drawing Sheets**



(56)

**References Cited**

## U.S. PATENT DOCUMENTS

D603,881	S	*	11/2009	Tamplain, III	.....	D15/30
D605,207	S	*	12/2009	Menges	.....	D15/30
D614,674	S		4/2010	Hobenshield et al.		
D629,429	S		12/2010	Wakamatsu		
D636,795	S	*	4/2011	Yamamoto	.....	D15/28
D637,630	S	*	5/2011	Yamamoto	.....	D15/30
D642,205	S		7/2011	Yamamoto et al.		
D650,816	S		12/2011	Koponen et al.		
D660,881	S		5/2012	Bohme et al.		
D667,851	S	*	9/2012	Warr	.....	D15/30
D668,693	S		10/2012	Ringer		
D670,744	S		11/2012	Ewringmann		
D670,745	S	*	11/2012	Warr	.....	D15/30
D671,566	S	*	11/2012	Fang	.....	D15/30
D684,607	S	*	6/2013	Hagura	.....	D15/30
D687,868	S		8/2013	Watson et al.		
D720,370	S	*	12/2014	Carter	.....	D15/30
D742,940	S	*	11/2015	Kushita	.....	D15/30
D749,148	S	*	2/2016	Darekar	.....	D15/30
D751,123	S	*	3/2016	Kazakoff	.....	D15/30
D775,244	S	*	12/2016	Hart	.....	D15/30
D776,725	S	*	1/2017	Harms	.....	D15/30
D777,218	S	*	1/2017	Harms	.....	D15/30
D780,232	S	*	2/2017	Saari	.....	D15/30
D780,235	S	*	2/2017	Kim	.....	D15/30
D812,647	S	*	3/2018	Okuyama	.....	D15/30
D854,587	S	*	7/2019	Ninomiya	.....	D15/30
D866,616	S	*	11/2019	Jilbert	.....	D15/30
D874,524	S	*	2/2020	Iwata	.....	D15/30
D877,209	S	*	3/2020	Winkel	.....	D15/30
D877,782	S	*	3/2020	Jilbert	.....	D15/30

\* cited by examiner

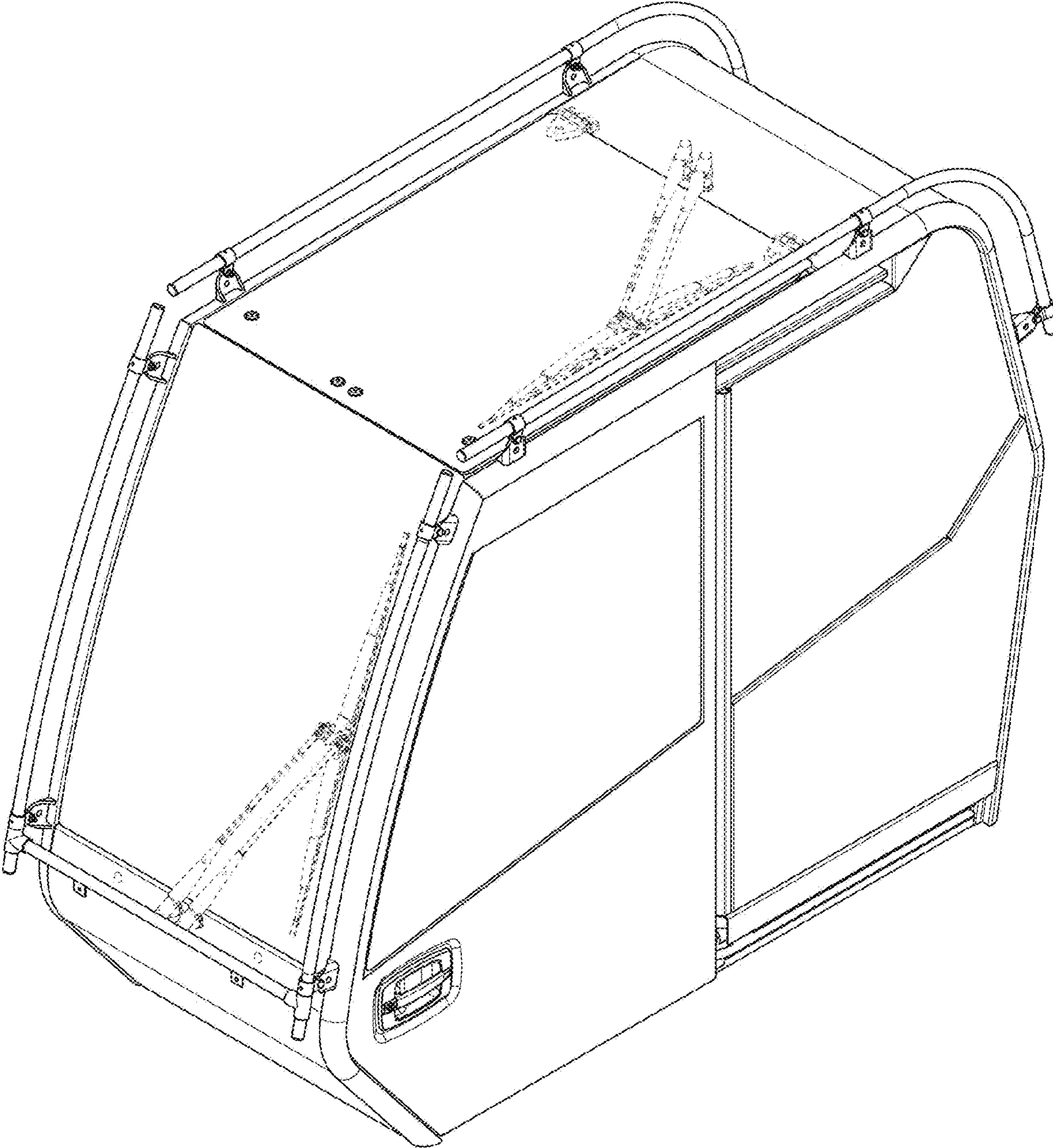


FIG. 1

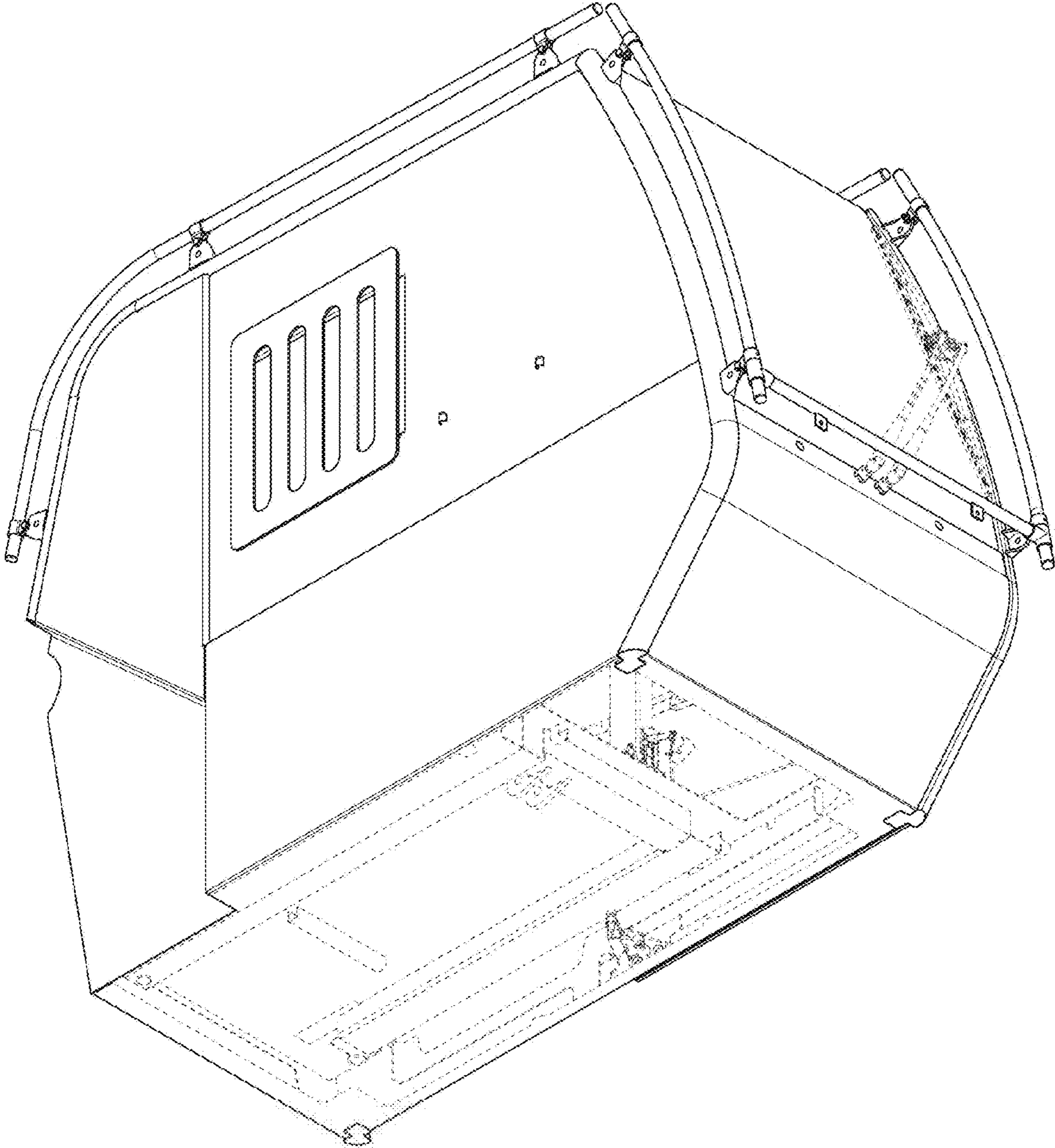


FIG. 2

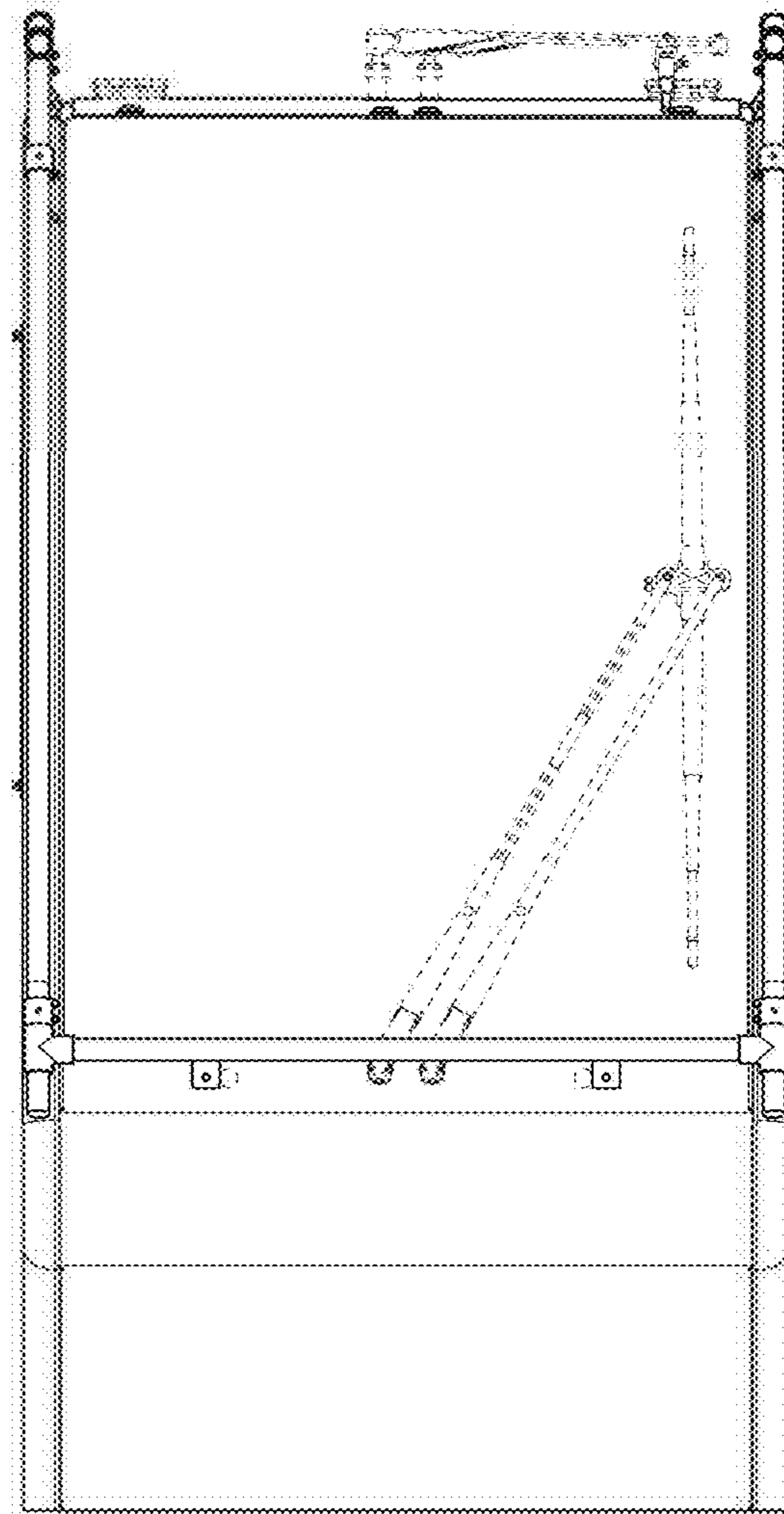


FIG. 3

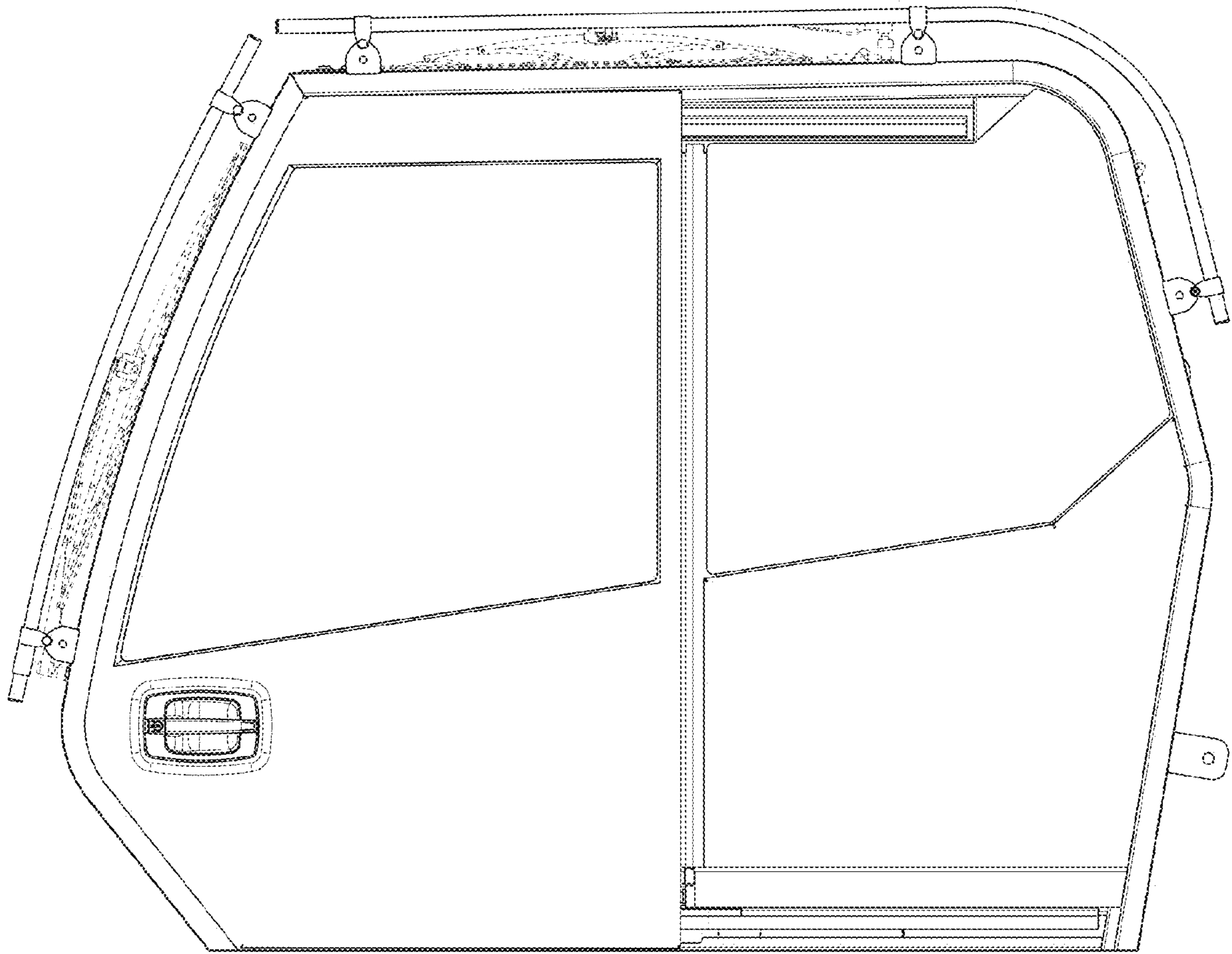


FIG. 4

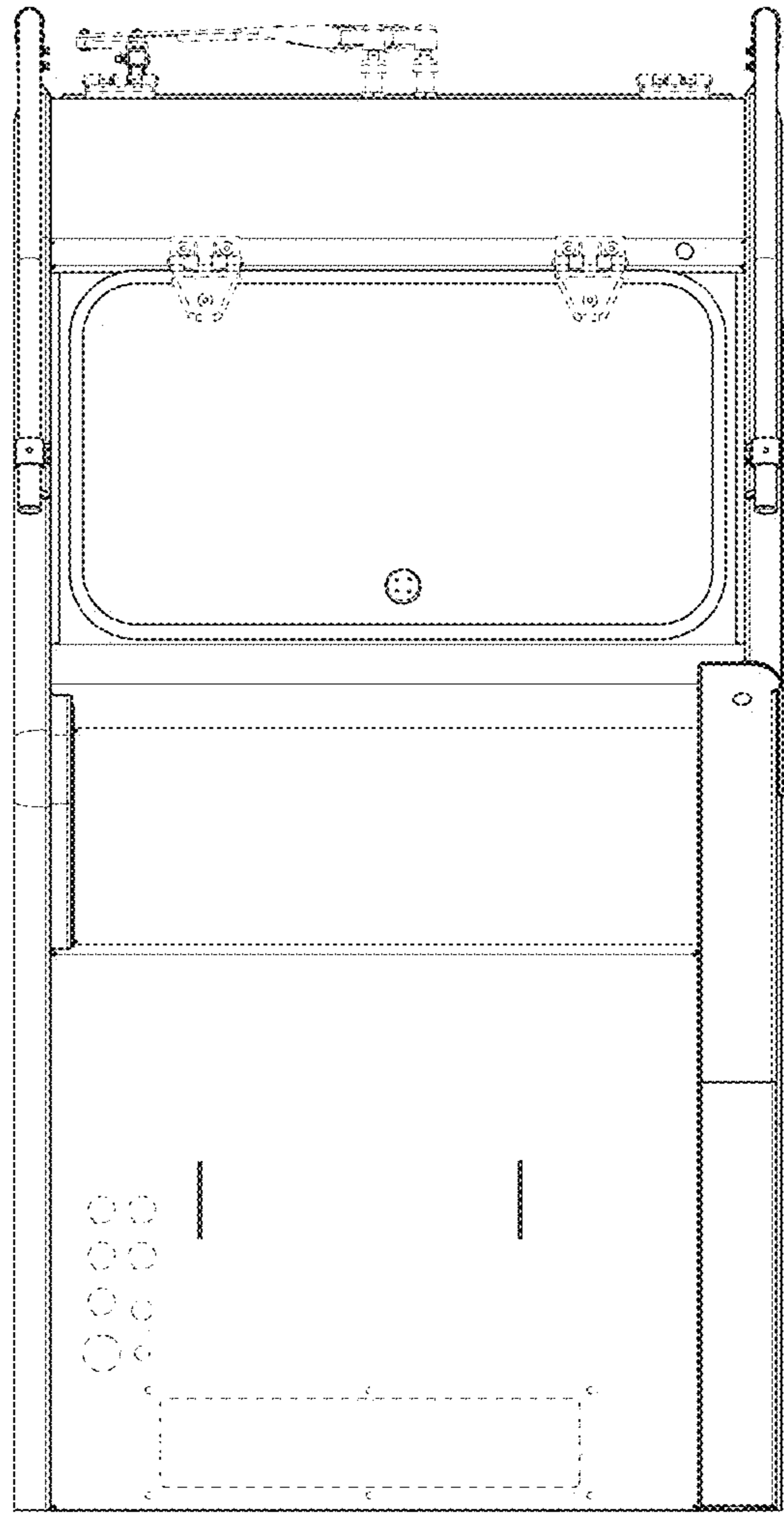


FIG. 5

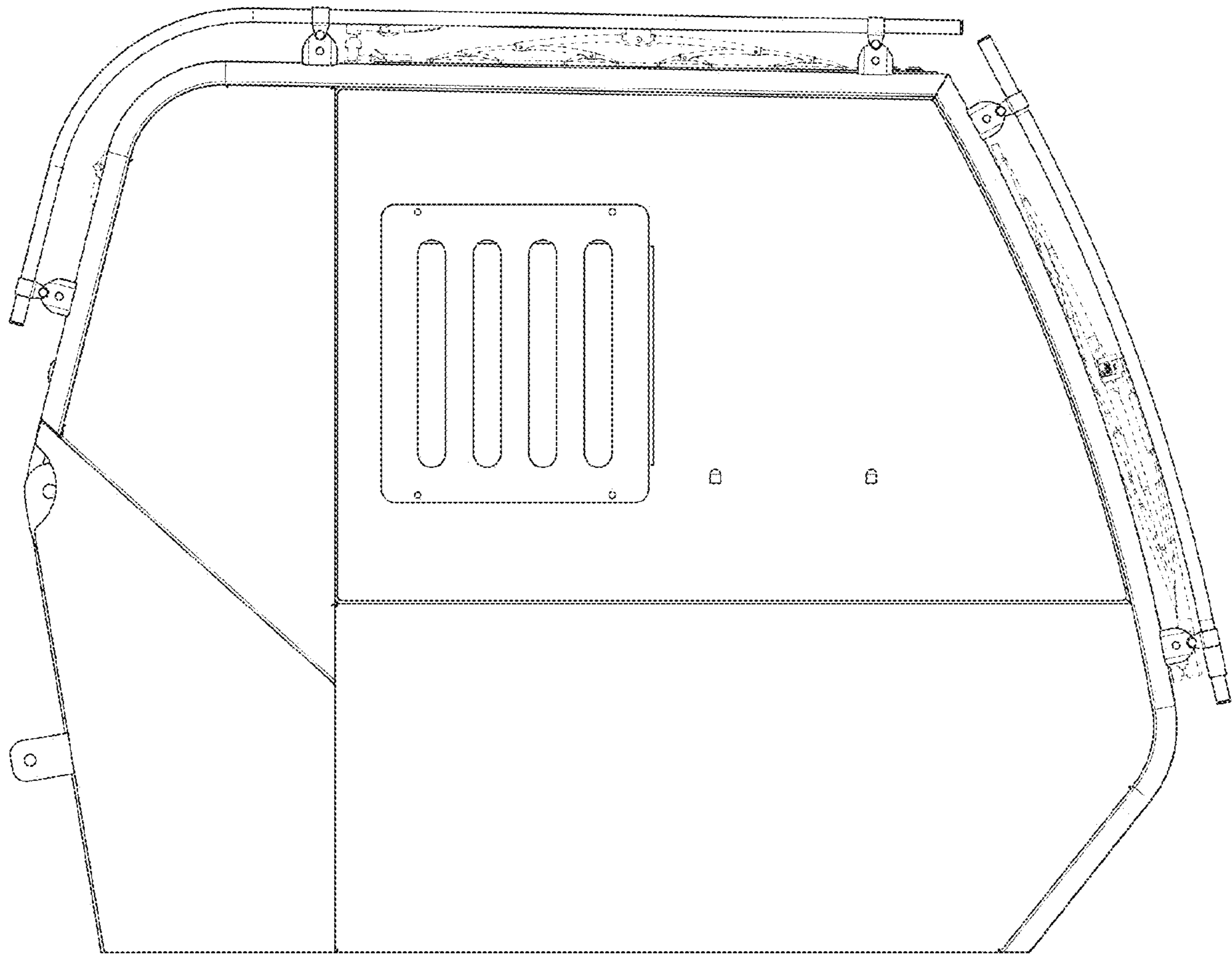


FIG. 6



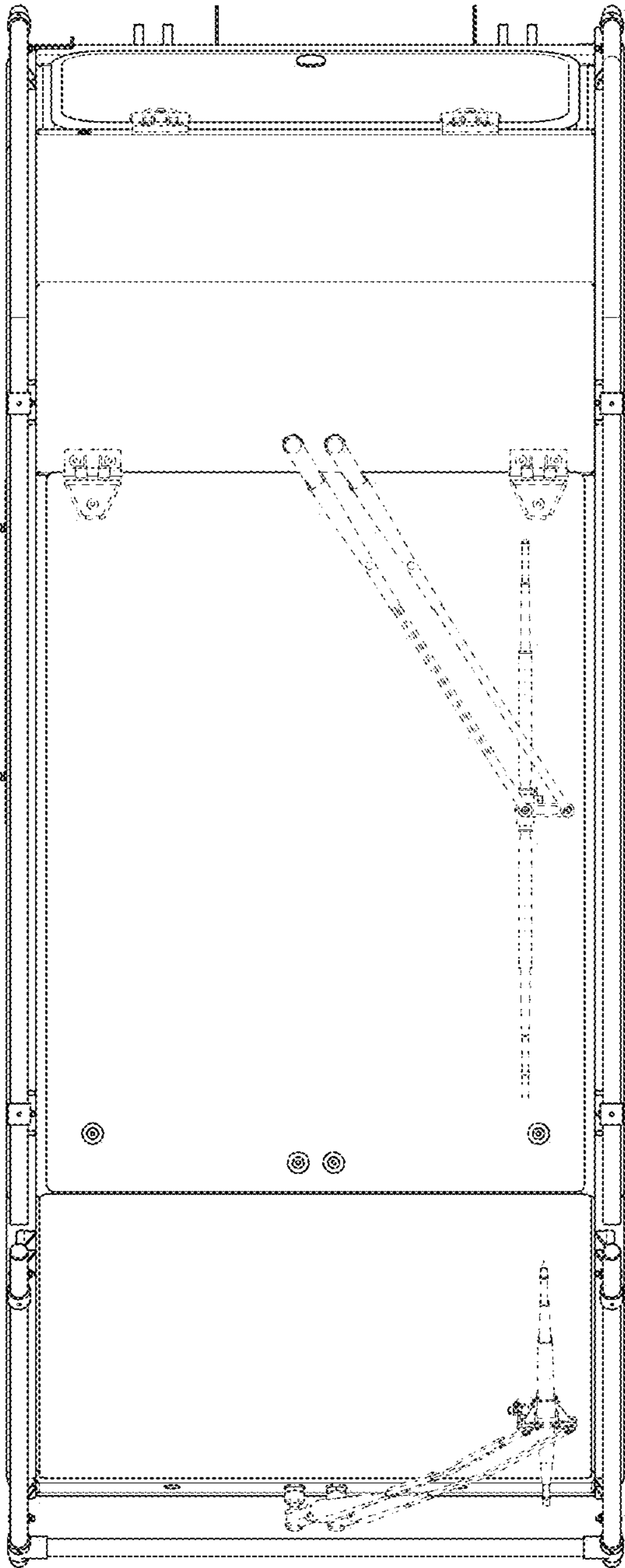


FIG. 7

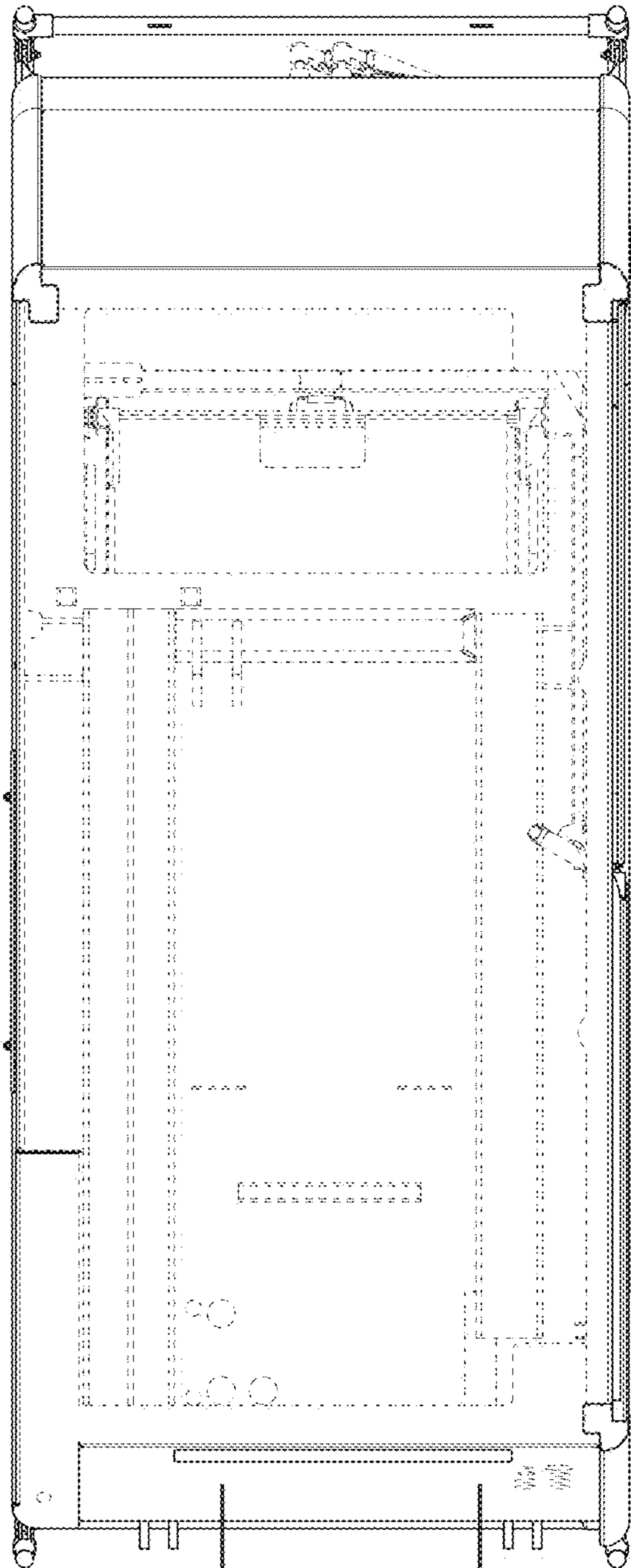


FIG. 8

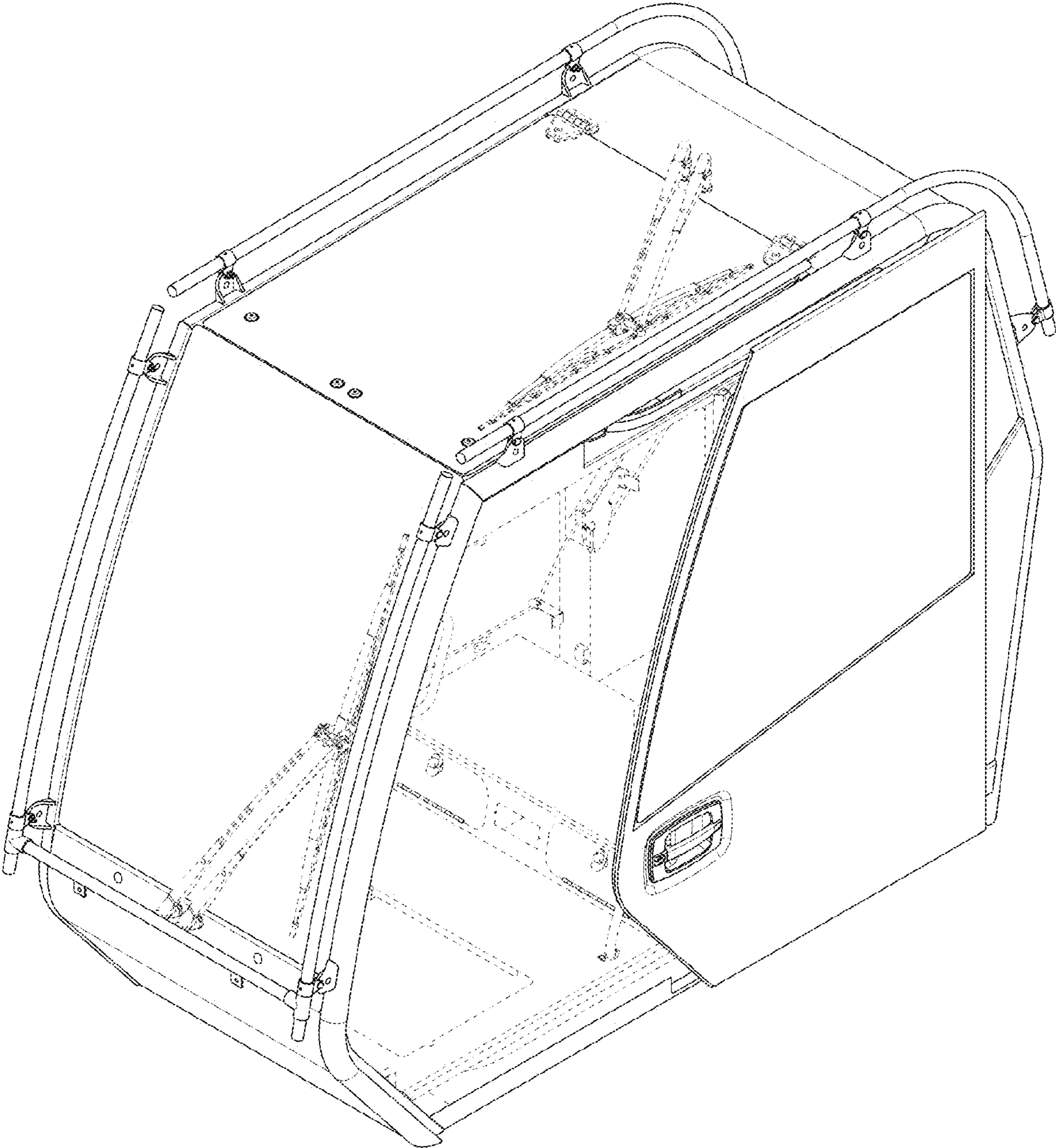


FIG. 9

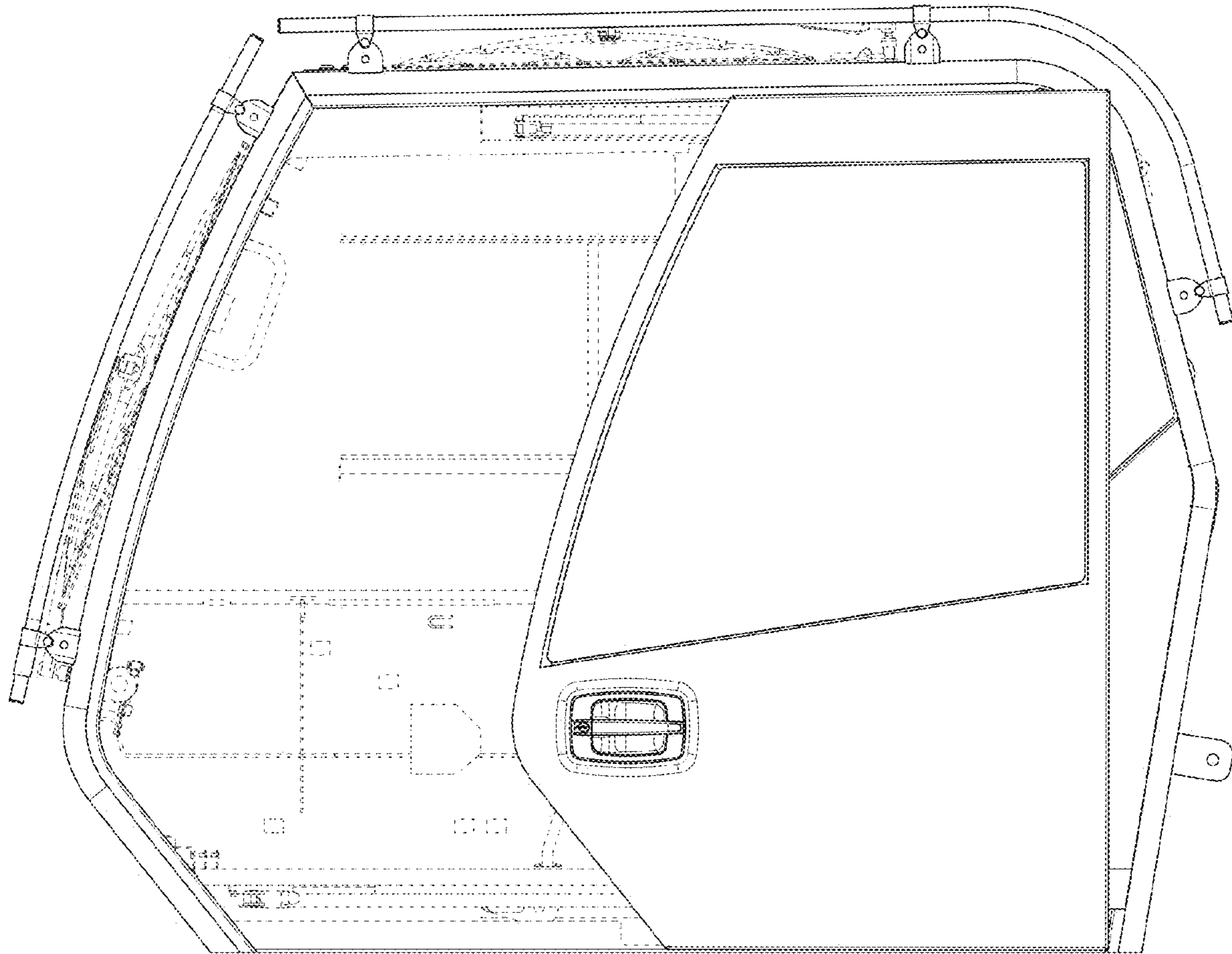


FIG. 10