



US00D908144S

(12) **United States Design Patent** (10) **Patent No.:** **US D908,144 S**  
**Reese et al.** (45) **Date of Patent:** **\*\* Jan. 19, 2021**

(54) **EXCAVATING TOOTH**  
(71) Applicant: **Pengo Corporation**, Laurens, IA (US)  
(72) Inventors: **Justin Reese**, Laurens, IA (US);  
**Richard Willems**, Parkville, MD (US)  
(73) Assignee: **Pengo Corporation**, Laurens, IA (US)  
(\*\*) Term: **15 Years**  
(21) Appl. No.: **29/719,560**  
(22) Filed: **Jan. 6, 2020**  
(51) **LOC (13) Cl.** ..... **15-03**  
(52) **U.S. Cl.**  
USPC ..... **D15/29**; D15/28  
(58) **Field of Classification Search**  
USPC ..... D15/11, 28, 29; 37/456, 452, 450, 446,  
37/454, 449, 453, 455, 903; 403/379.5,  
403/DIG. 1; 111/152; 172/724, 730,  
172/766, 770, 771, 721, 713, 699, 772  
CPC ..... Y10T 29/49826; Y10T 403/589; Y10T  
403/7018; Y10T 403/7075; E02F 9/28;  
E02F 9/2825; E02F 9/2833; E02F 9/2866;  
E02F 9/2858; E02F 9/2808; E02F 9/2841  
See application file for complete search history.

D748,681 S \* 2/2016 Renski ..... D15/29  
D749,147 S \* 2/2016 Kunz ..... D15/29  
D790,603 S \* 6/2017 Balan ..... D15/29  
D790,604 S \* 6/2017 Balan ..... D15/29  
D790,605 S \* 6/2017 Balan ..... D15/29  
D790,606 S \* 6/2017 Balan ..... D15/29  
D803,274 S \* 11/2017 Serrurier ..... D15/29  
D803,275 S \* 11/2017 Serrurier ..... D15/29  
D803,898 S \* 11/2017 Serrurier ..... D15/29  
D803,899 S \* 11/2017 Serrurier ..... D15/29  
D803,900 S \* 11/2017 Serrurier ..... D15/29  
D803,902 S \* 11/2017 Serrurier ..... D15/29  
D805,112 S \* 12/2017 Serrurier ..... D15/29  
10,214,879 B2 2/2019 Perez Soria et al.  
2003/0005606 A1\* 1/2003 Carpenter ..... E02F 9/2833  
37/452

**FOREIGN PATENT DOCUMENTS**

WO 9525851 9/1995

\* cited by examiner

*Primary Examiner* — Mark A Goodwin  
(74) *Attorney, Agent, or Firm* — Nyemaster Goode, PC

(57) **CLAIM**

The ornamental design for an excavating tooth, as shown and described.

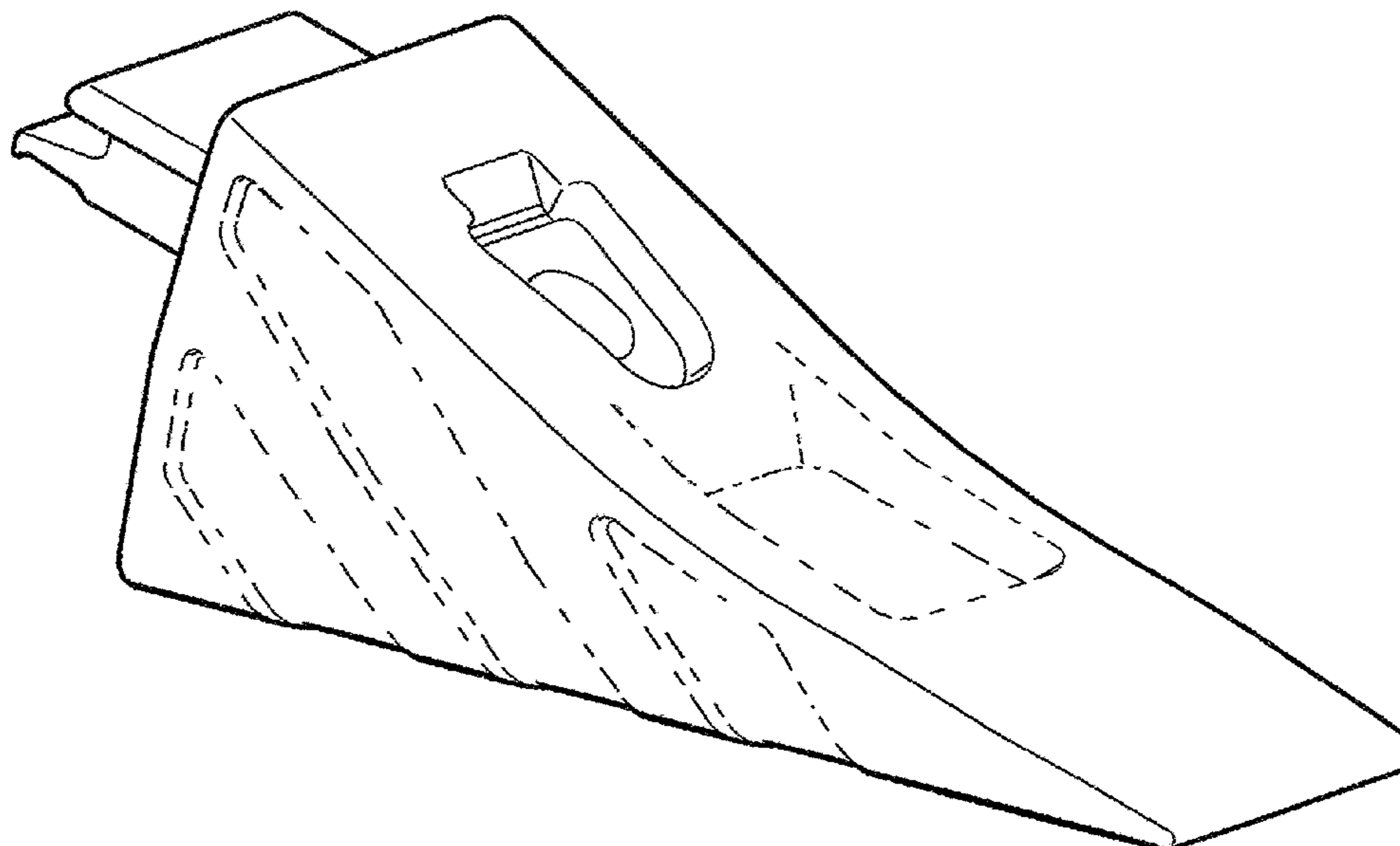
**DESCRIPTION**

FIG. 1 is a front perspective view of the excavating tooth; FIG. 2 is a rear perspective view of the excavating tooth; FIG. 3 is a first side view of the excavating tooth; FIG. 4 is a second side view of the excavating tooth; FIG. 5 is a top view of the excavating tooth; FIG. 6 is a bottom view of the excavating tooth; FIG. 7 is a front view of the excavating tooth; and, FIG. 8 is a rear view of the excavating tooth. The broken lines in the drawings depict portions of the excavating tooth that form no part of the claimed design.

**1 Claim, 8 Drawing Sheets**

(56) **References Cited**  
U.S. PATENT DOCUMENTS

D339,593 S \* 9/1993 Johansson ..... D15/29  
5,561,925 A \* 10/1996 Livesay ..... E02F 9/2825  
37/452  
D391,583 S \* 3/1998 Moreno ..... D15/29  
5,802,752 A 9/1998 Quarfordt  
D399,511 S \* 10/1998 Launder ..... D15/27  
D408,422 S \* 4/1999 Moreno ..... D15/29  
6,085,448 A \* 7/2000 Gale ..... E02F 9/2825  
37/452  
D460,464 S \* 7/2002 Ketting ..... D15/29  
D706,840 S \* 6/2014 Renski ..... D15/29



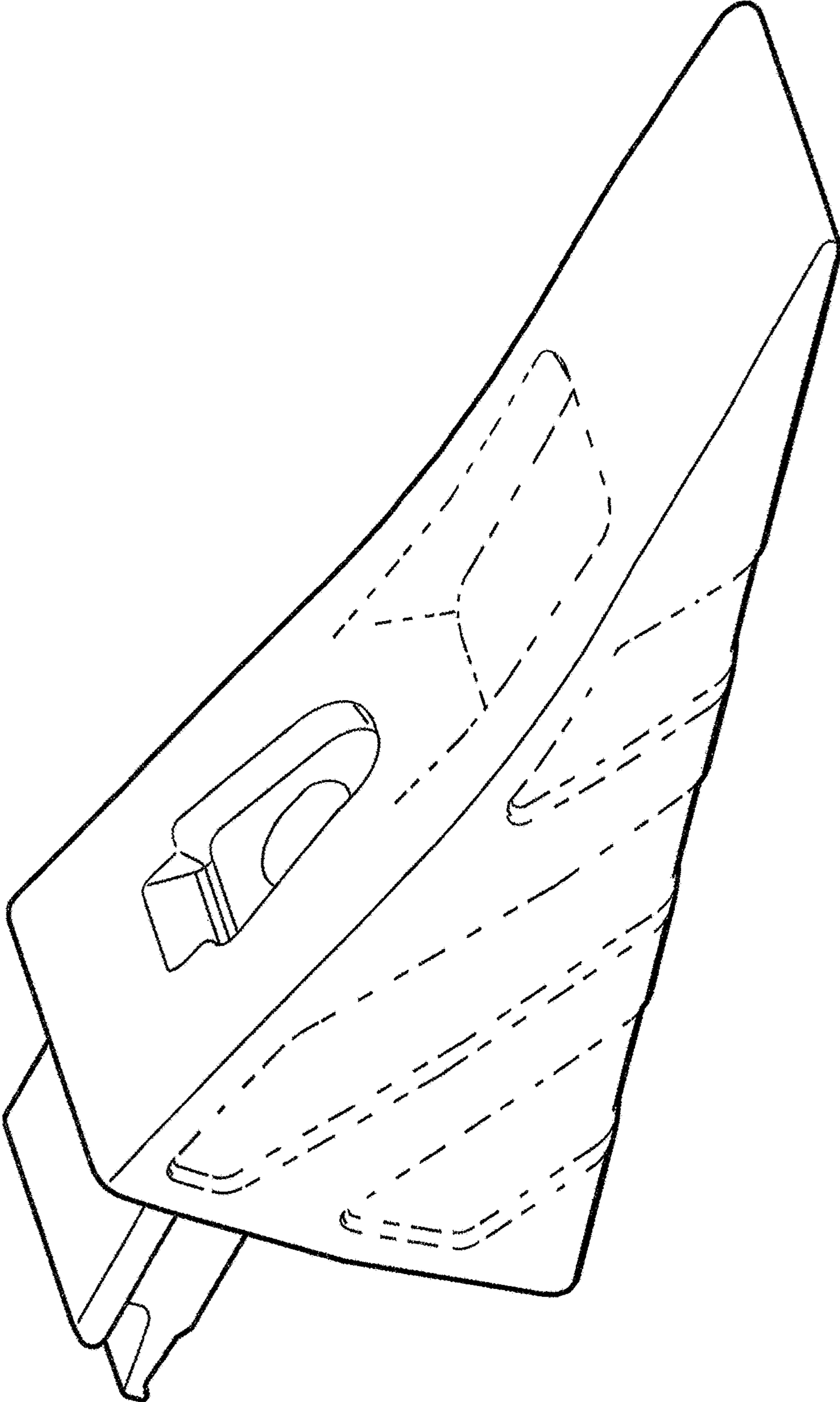


FIG. 1

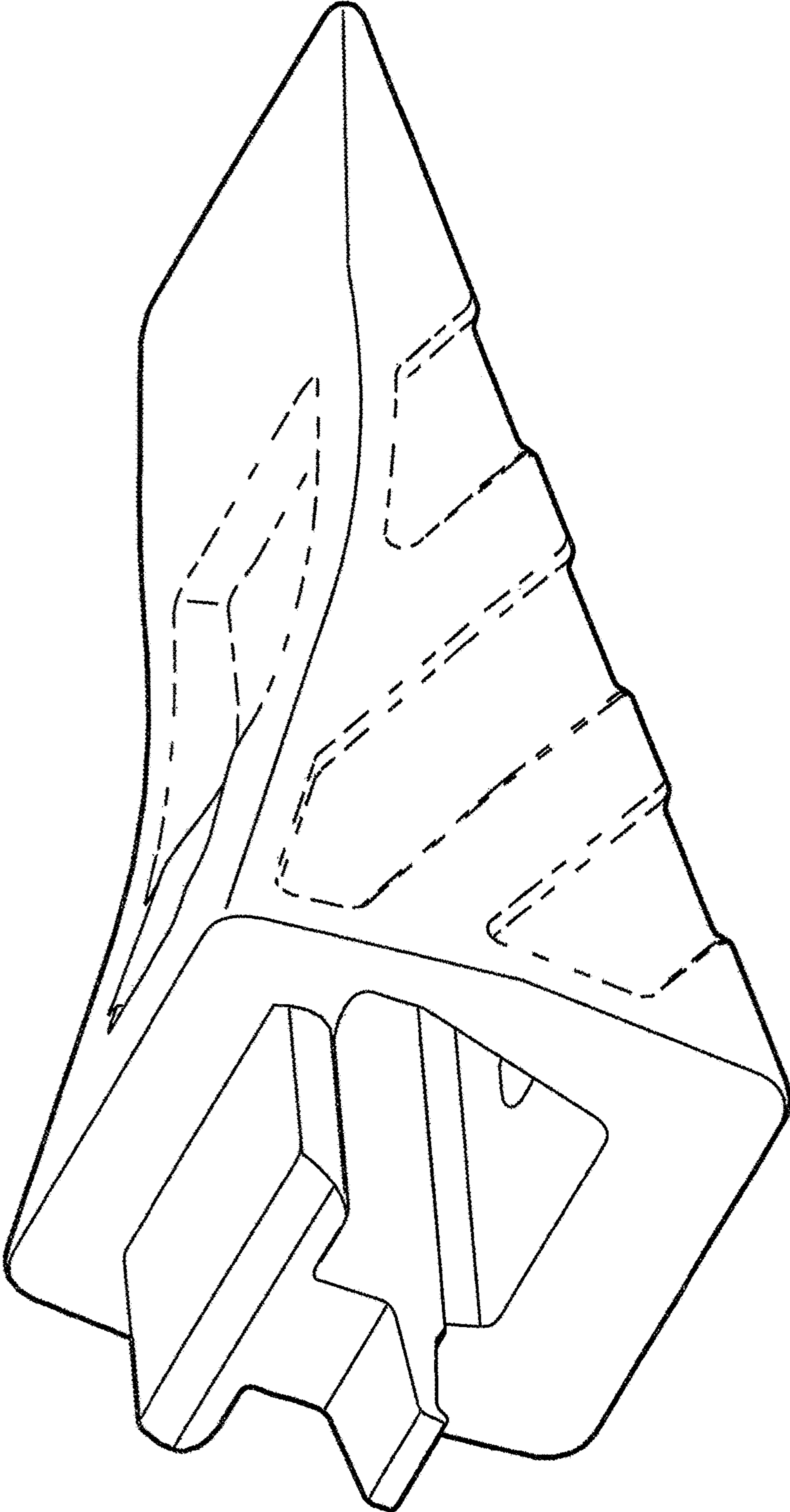
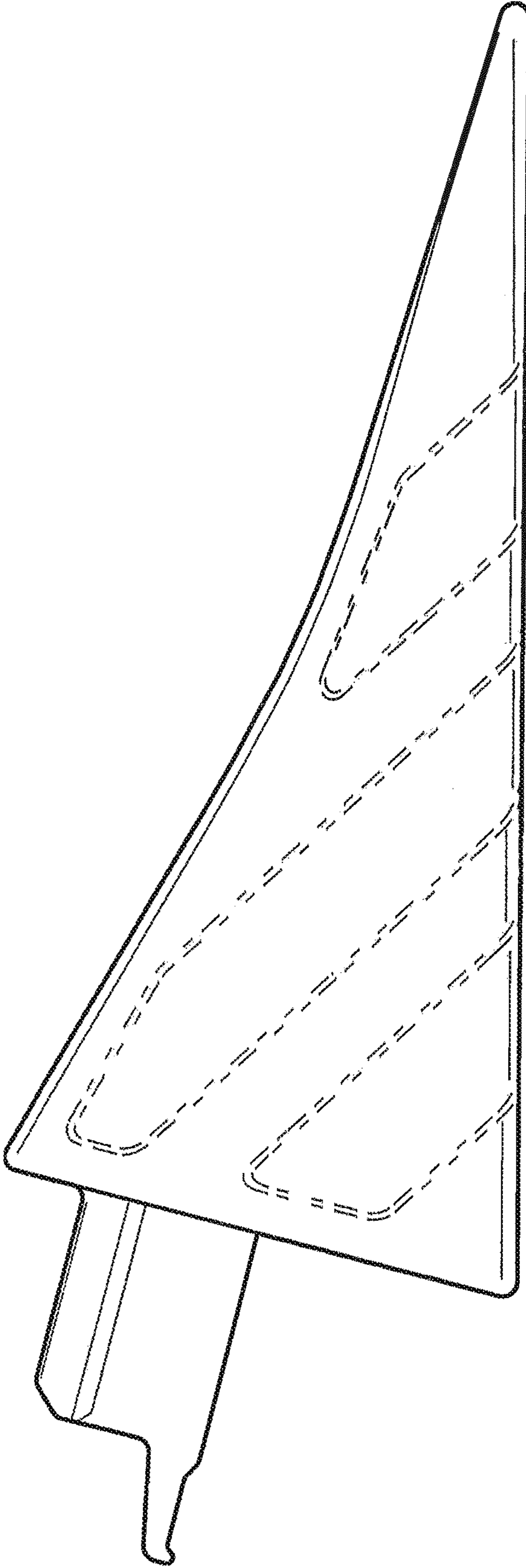
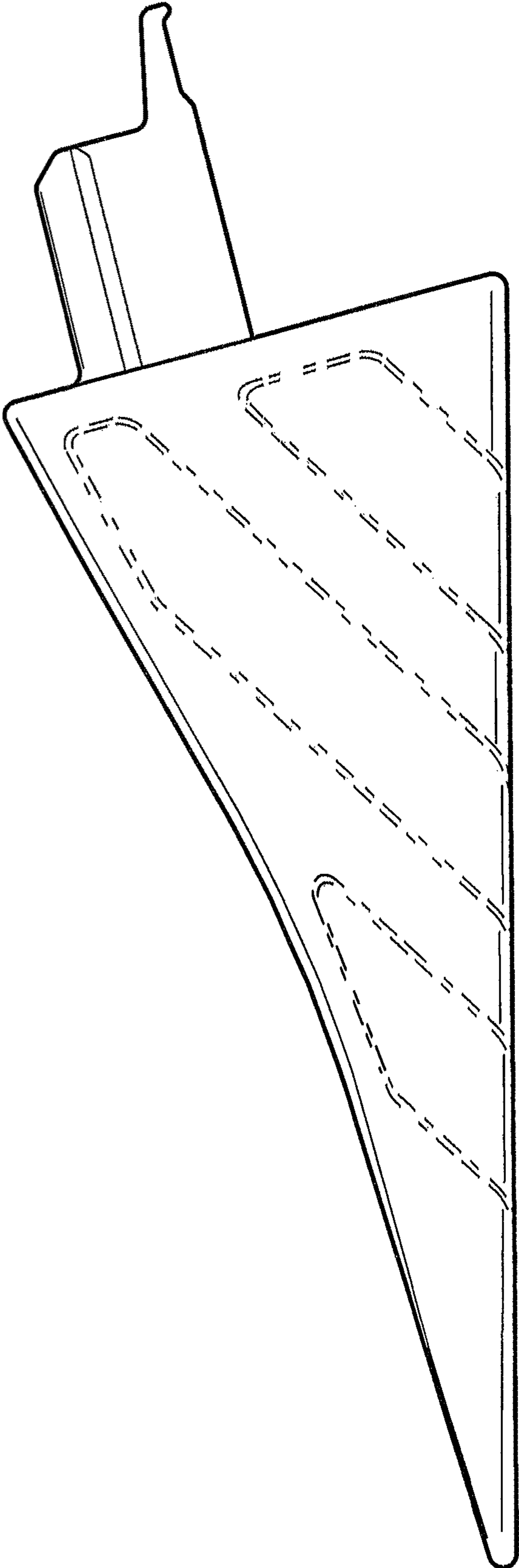


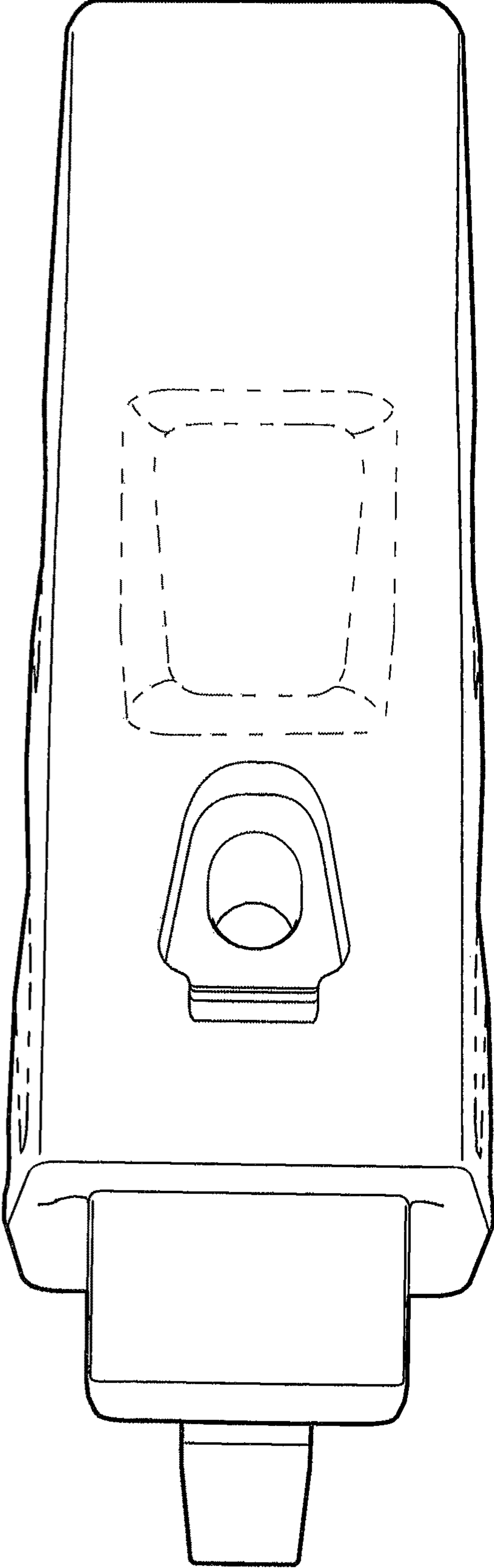
FIG. 2



**FIG. 3**



**FIG. 4**



**FIG. 5**

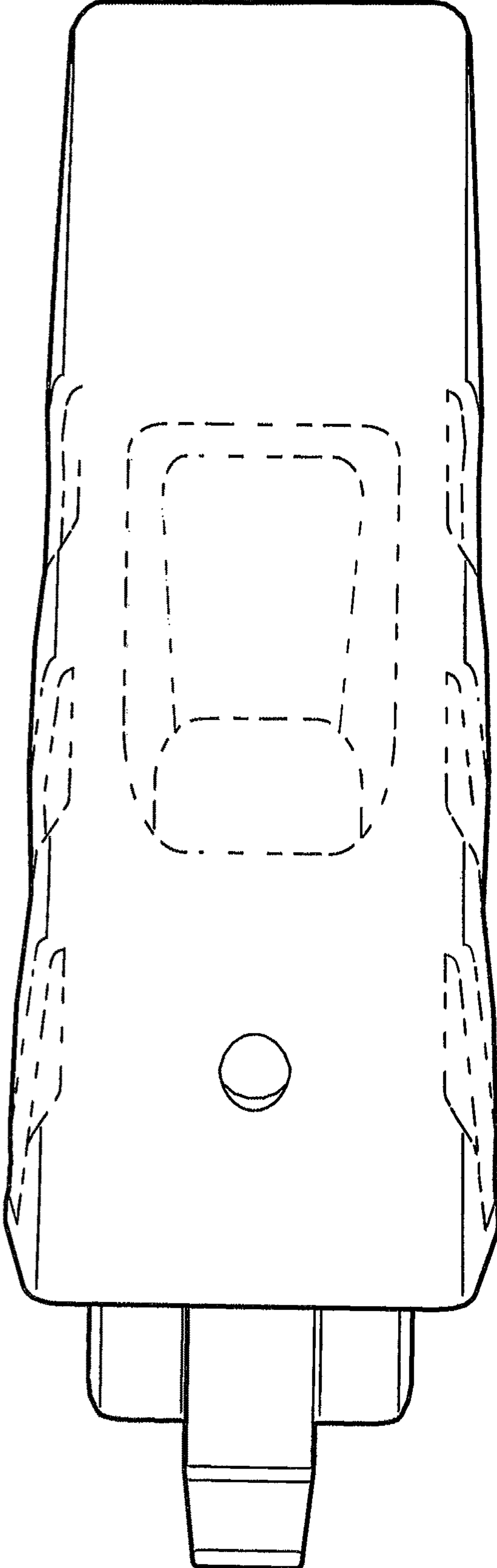


FIG. 6

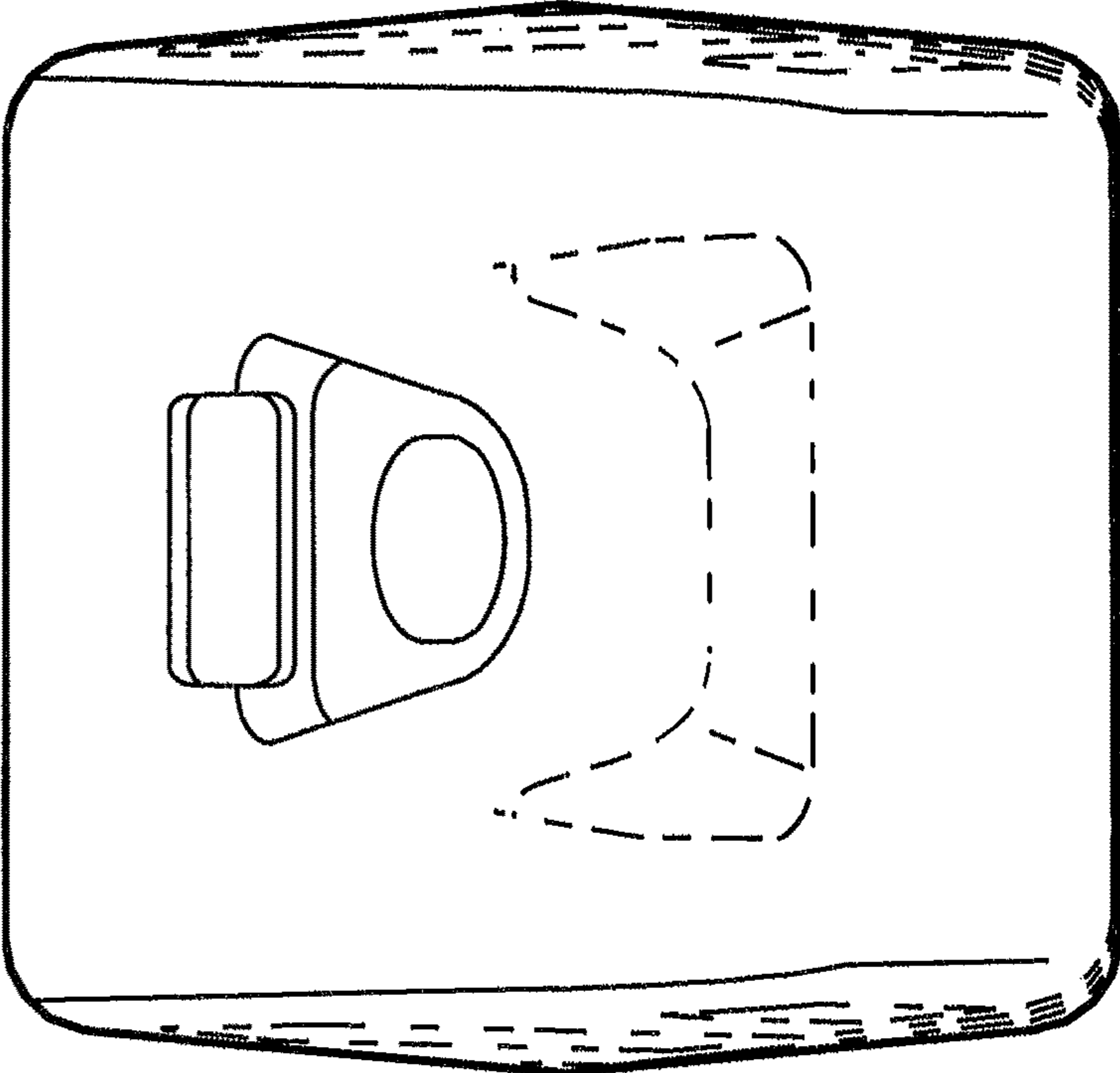
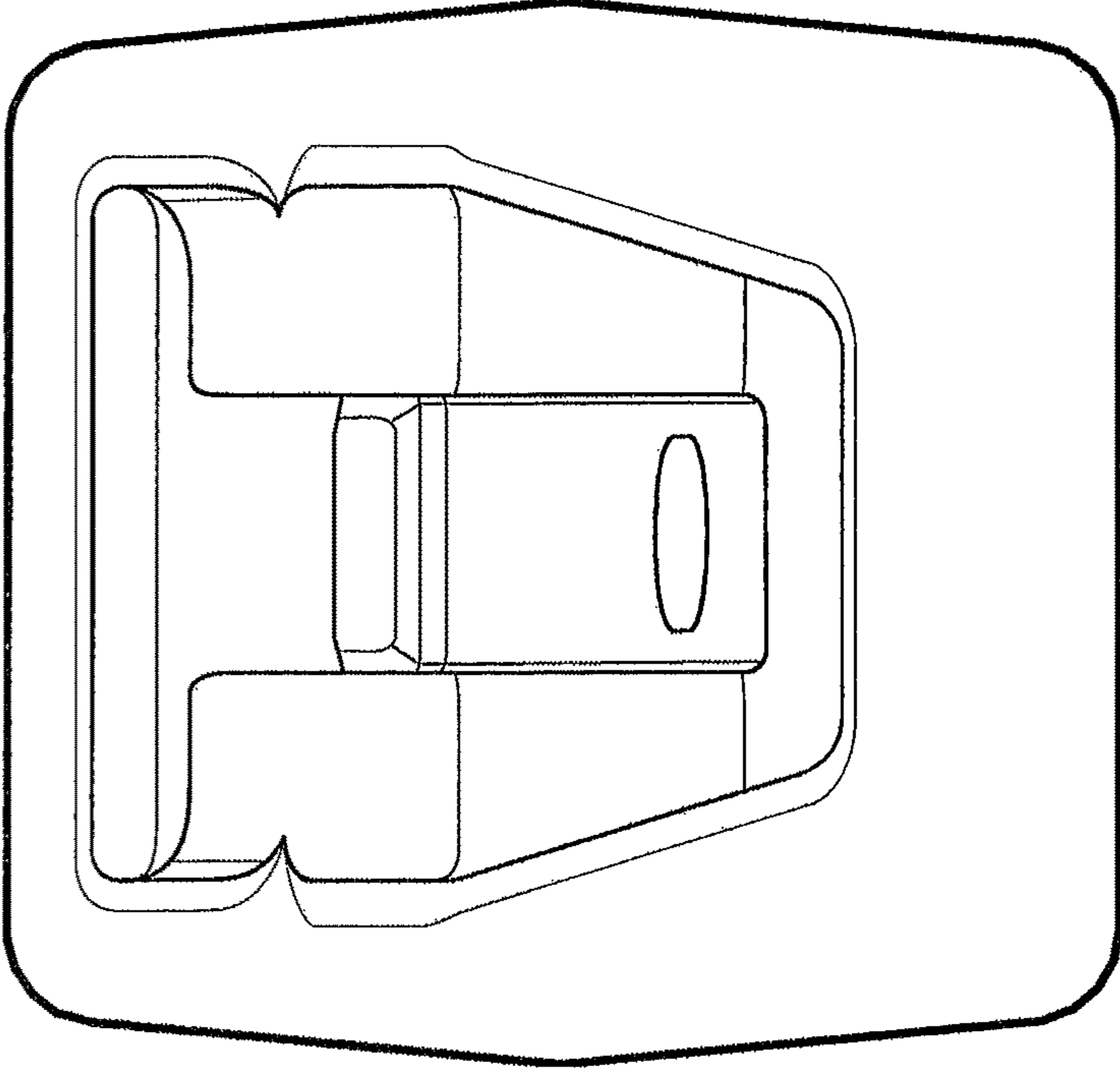


FIG. 7





**FIG. 8**