



US00D908143S

(12) **United States Design Patent**
Alexander et al.

(10) **Patent No.:** **US D908,143 S**
(45) **Date of Patent:** **** Jan. 19, 2021**

- (54) **UNLOADER VALVE**
- (71) Applicant: **FNA Group, Inc.**, Pleasant Prairie, WI (US)
- (72) Inventors: **Gus Alexander**, Inverness, IL (US); **Christopher C. Alexander**, Park Ridge, IL (US); **Richard J. Gilpatrick**, Burlington, WI (US)
- (73) Assignee: **FNA Group, Inc.**, Pleasant Prairie, WI (US)
- (**) Term: **15 Years**
- (21) Appl. No.: **29/668,167**
- (22) Filed: **Oct. 29, 2018**
- (51) **LOC (13) Cl.** **15-02**
- (52) **U.S. Cl.**
USPC **D15/7**
- (58) **Field of Classification Search**
USPC D23/233–237, 241–249; 137/115.15, 137/115.16, 512.2, 115.18, 514, 470, 469, 137/614.2, 501, 493.1, 118.06, 119.08, 137/115.05, 505.25, 115.06, 628, 268, 137/115.19, 492.5; 417/60, 358, 415, 417/539; D15/7, 9
CPC G05D 23/136; G05D 23/13; G05D 16/024; G05D 23/1353; F16K 31/0693; F16K 39/022; F16K 11/00; F16K 17/082; F16K 17/0433
See application file for complete search history.

4,470,428 A *	9/1984	Bishop	F04B 49/02
			137/115.15
D726,225 S *	4/2015	Alexander	D15/7
D726,226 S *	4/2015	Alexander	D15/7
D823,898 S *	7/2018	Alexander	D15/7
D823,900 S *	7/2018	Alexander	D15/7

* cited by examiner

Primary Examiner — Gino Colan

(74) *Attorney, Agent, or Firm* — Steven E. Jedlinski; Jeffrey T. Placker; Holland & Knight LLP

(57) **CLAIM**

The ornamental design for an unloader valve, as shown and described.

DESCRIPTION

FIG. 1 is a top-front-right perspective view of an unloader valve;
 FIG. 2 is a top-front-left perspective view thereof;
 FIG. 3 is a top-rear-right perspective view thereof;
 FIG. 4 is a bottom-rear-right perspective view thereof;
 FIG. 5 is a bottom-rear-left perspective view thereof;
 FIG. 6 is a top-rear-left perspective view thereof;
 FIG. 7 is a front elevation view thereof;
 FIG. 8 is a rear elevation view thereof;
 FIG. 9 is left elevation view thereof;
 FIG. 10 is a right elevation view thereof;
 FIG. 11 is a top plan view thereof; and,
 FIG. 12 is a bottom plan view thereof.

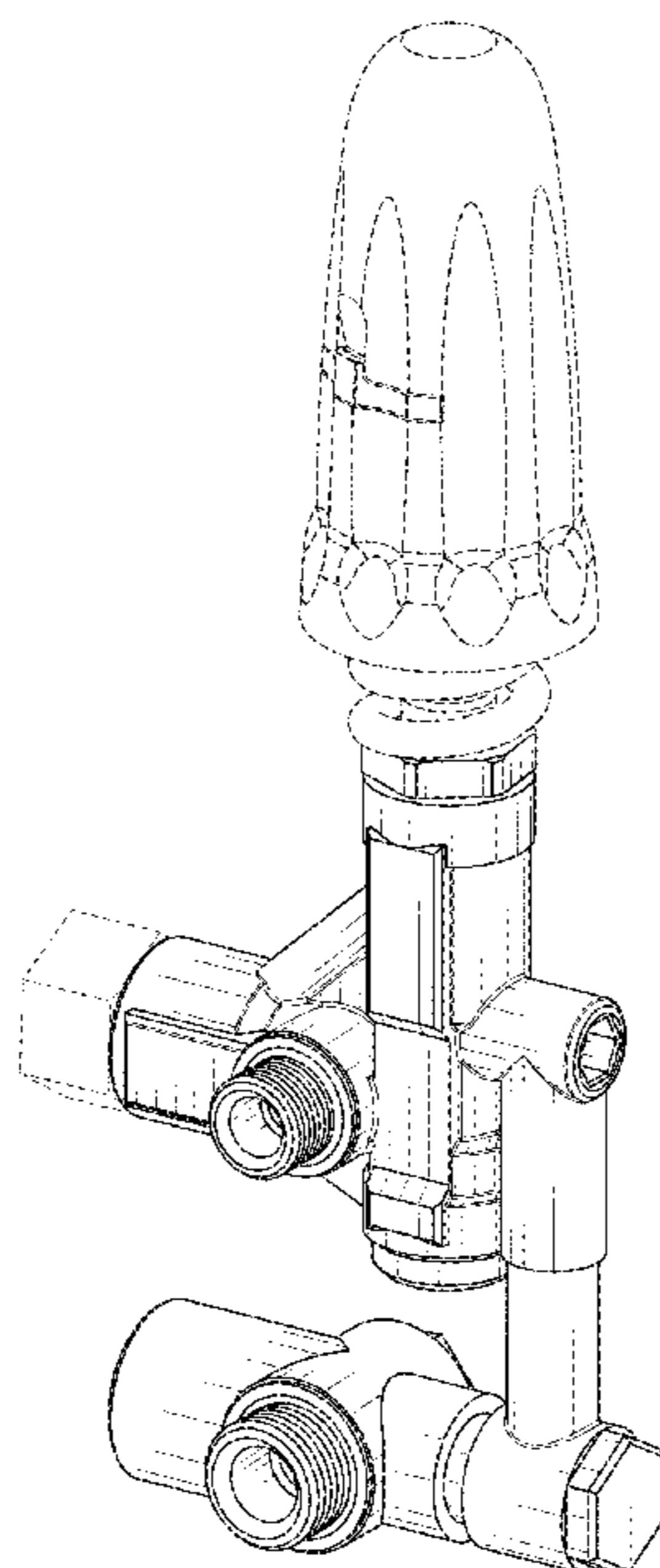
The broken lines are included for the purpose of illustrating portions of the unloader valve that form no part of the claimed design.

1 Claim, 11 Drawing Sheets

(56) **References Cited**

U.S. PATENT DOCUMENTS

RE28,842 E *	6/1976	Butterfield	F16K 17/0433
			137/470
4,057,072 A *	11/1977	Cook	F16K 17/0433
			137/115.18



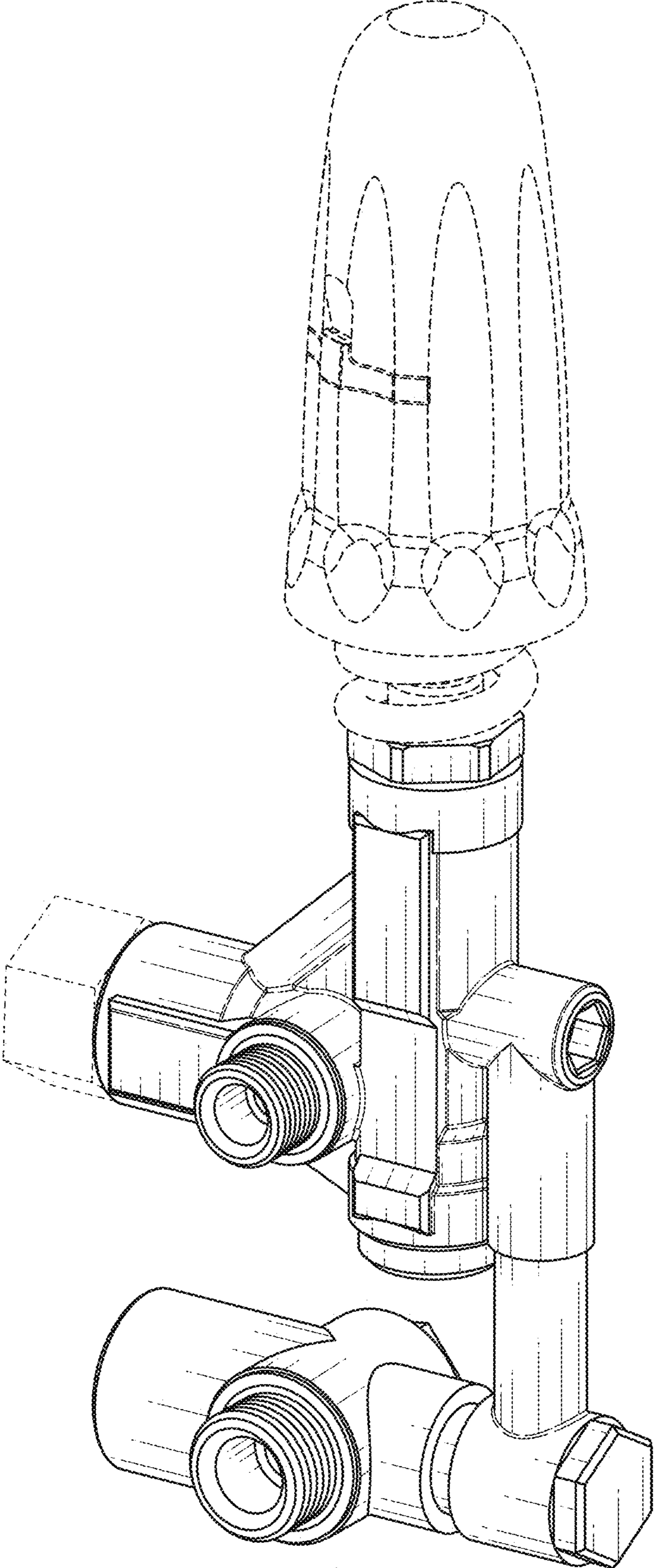


FIG. 1

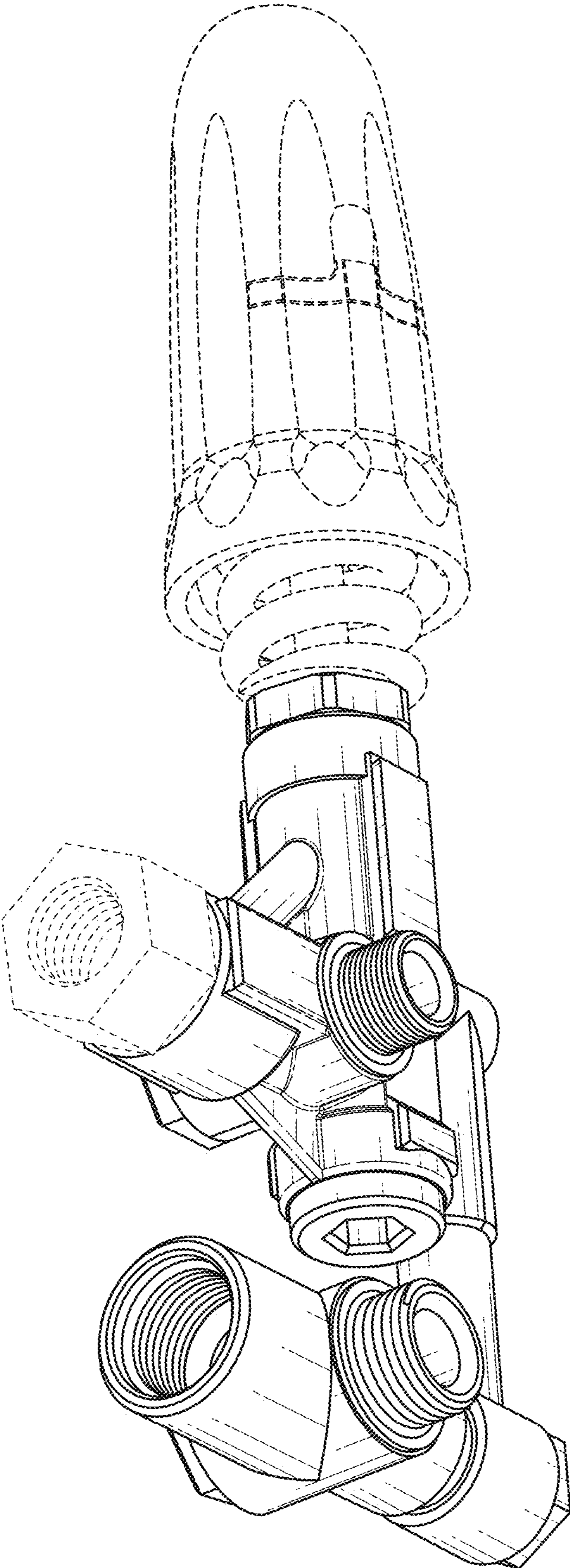


FIG. 2

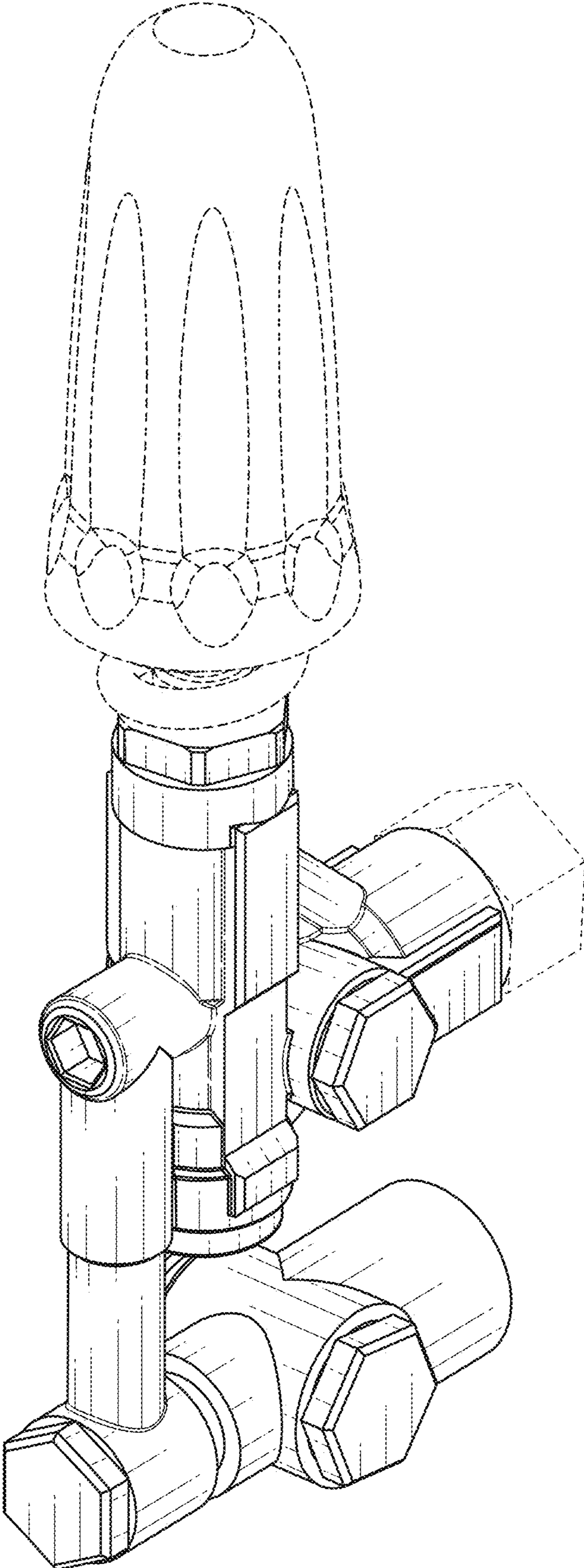


FIG. 3

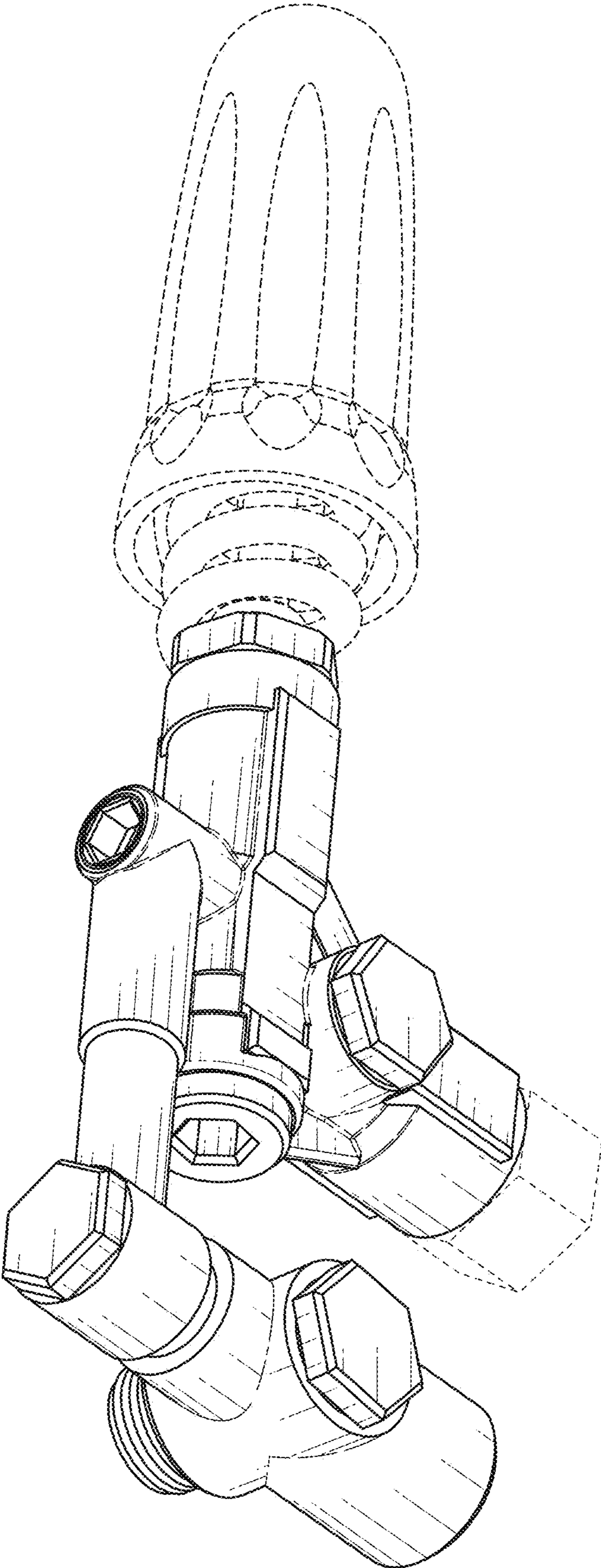


FIG. 4

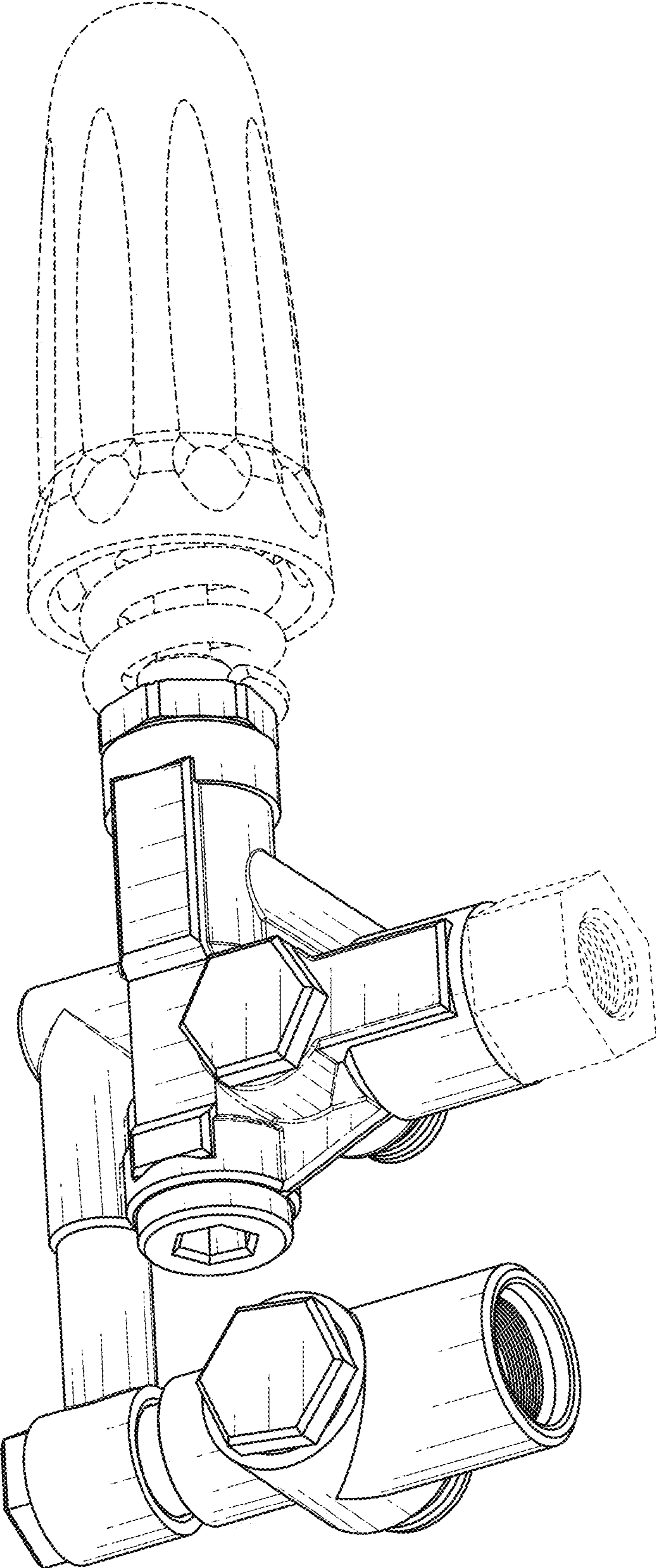


FIG. 5

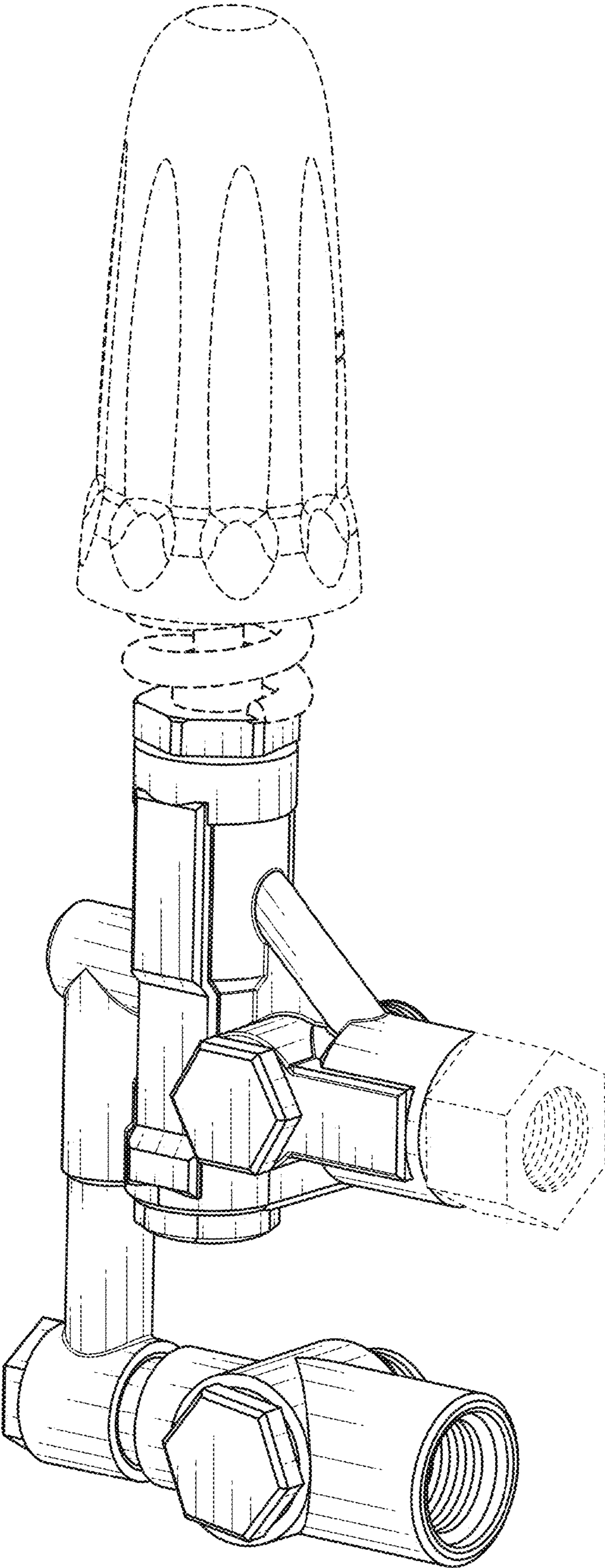


FIG. 6

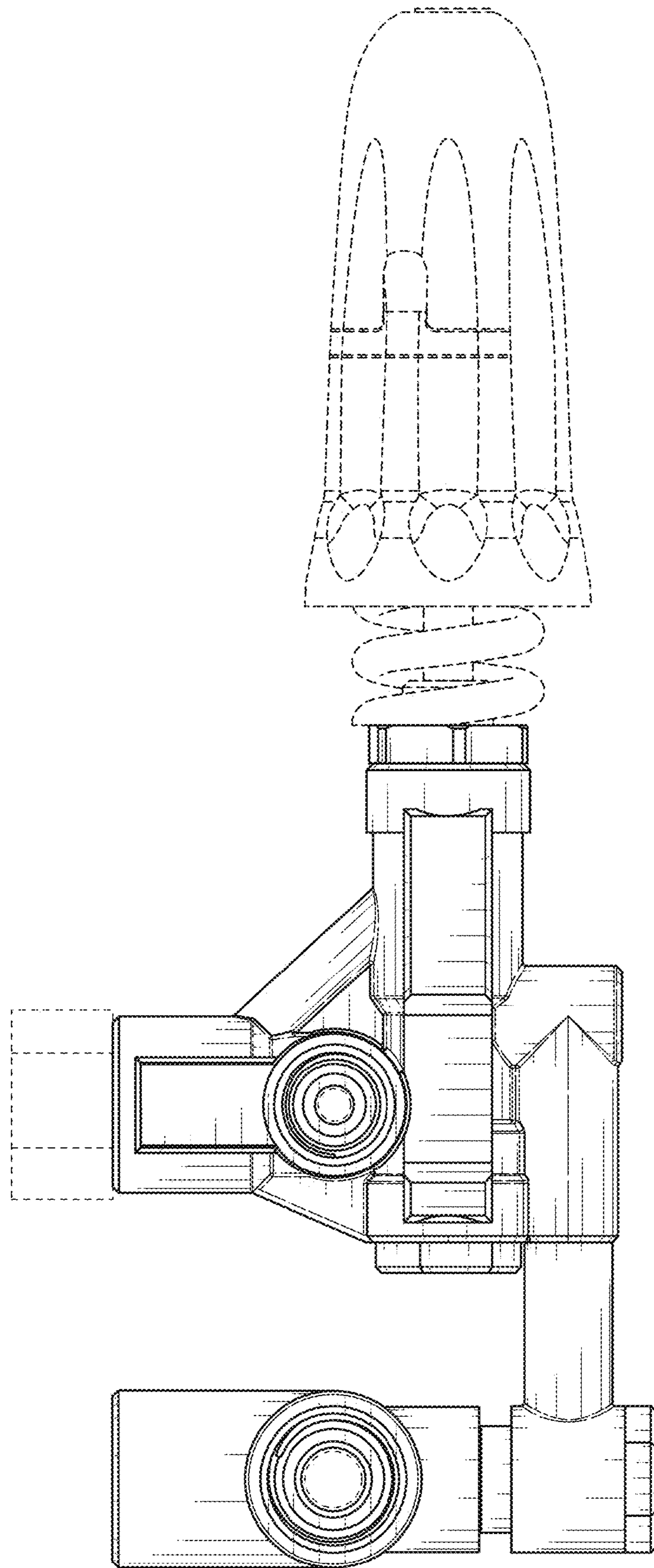


FIG. 7

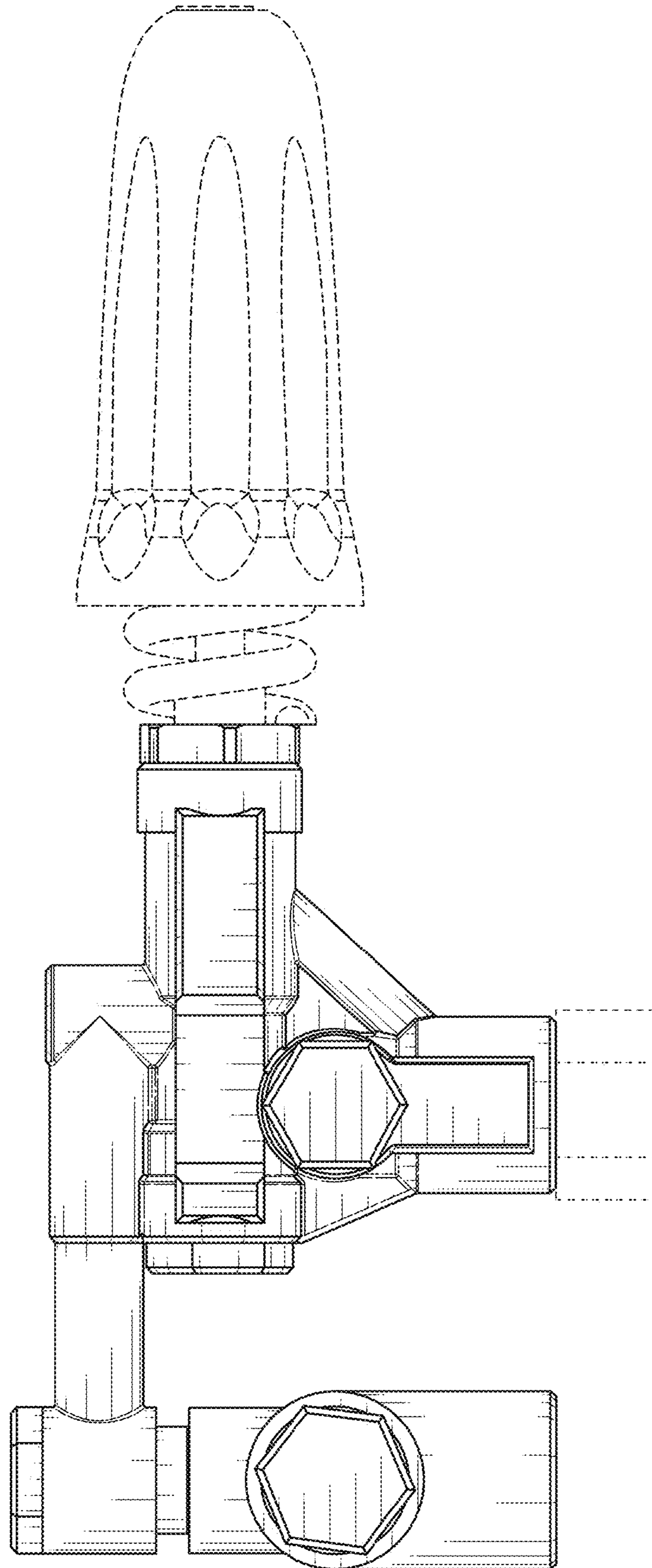


FIG. 8

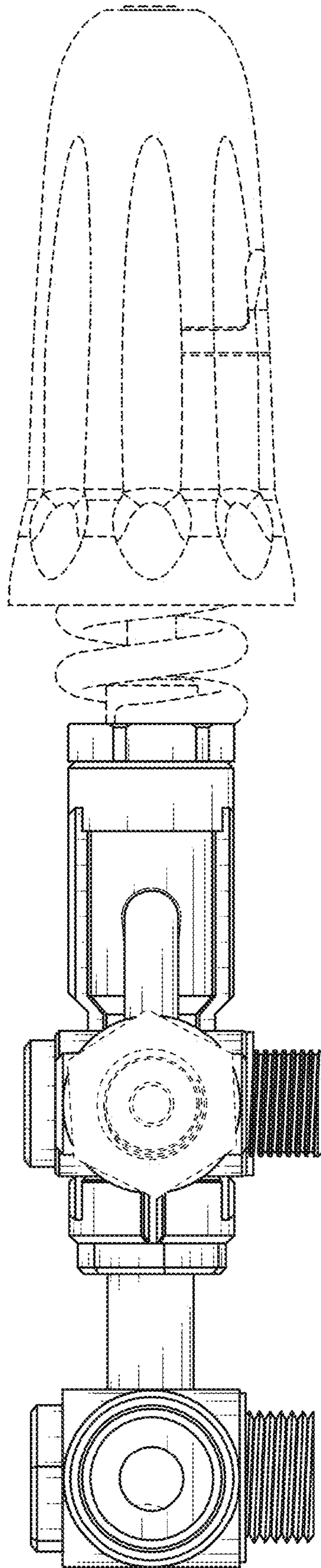


FIG. 9

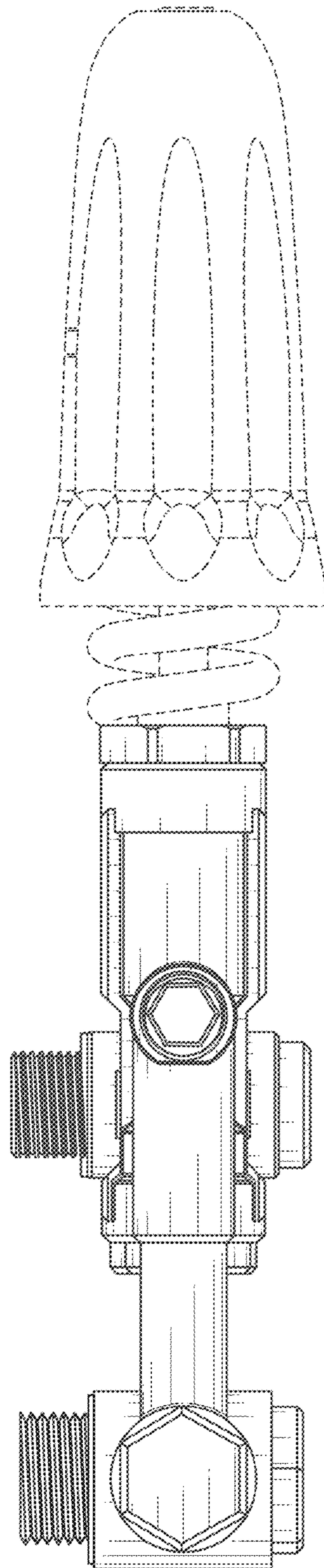


FIG. 10

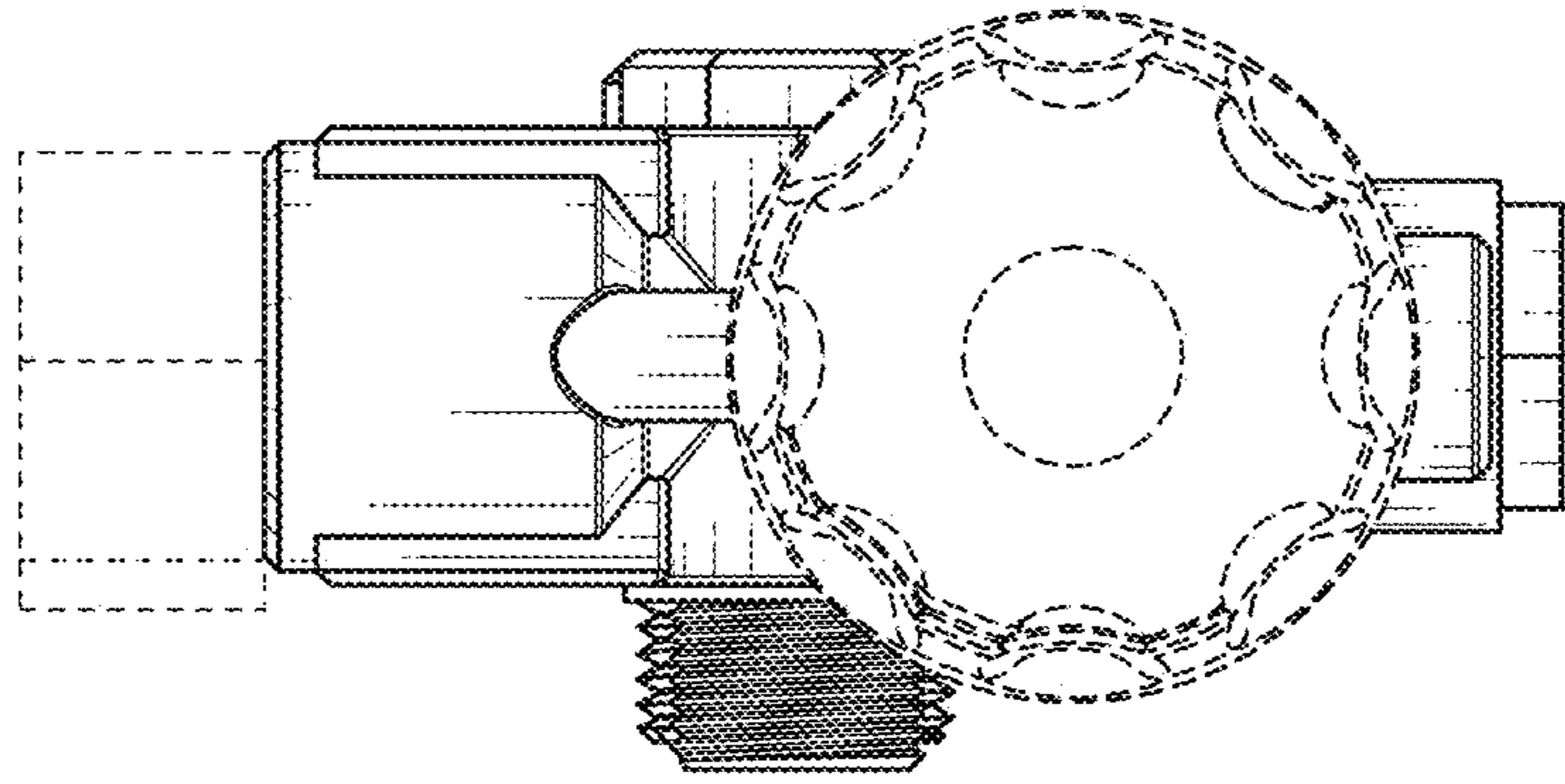


FIG. 11

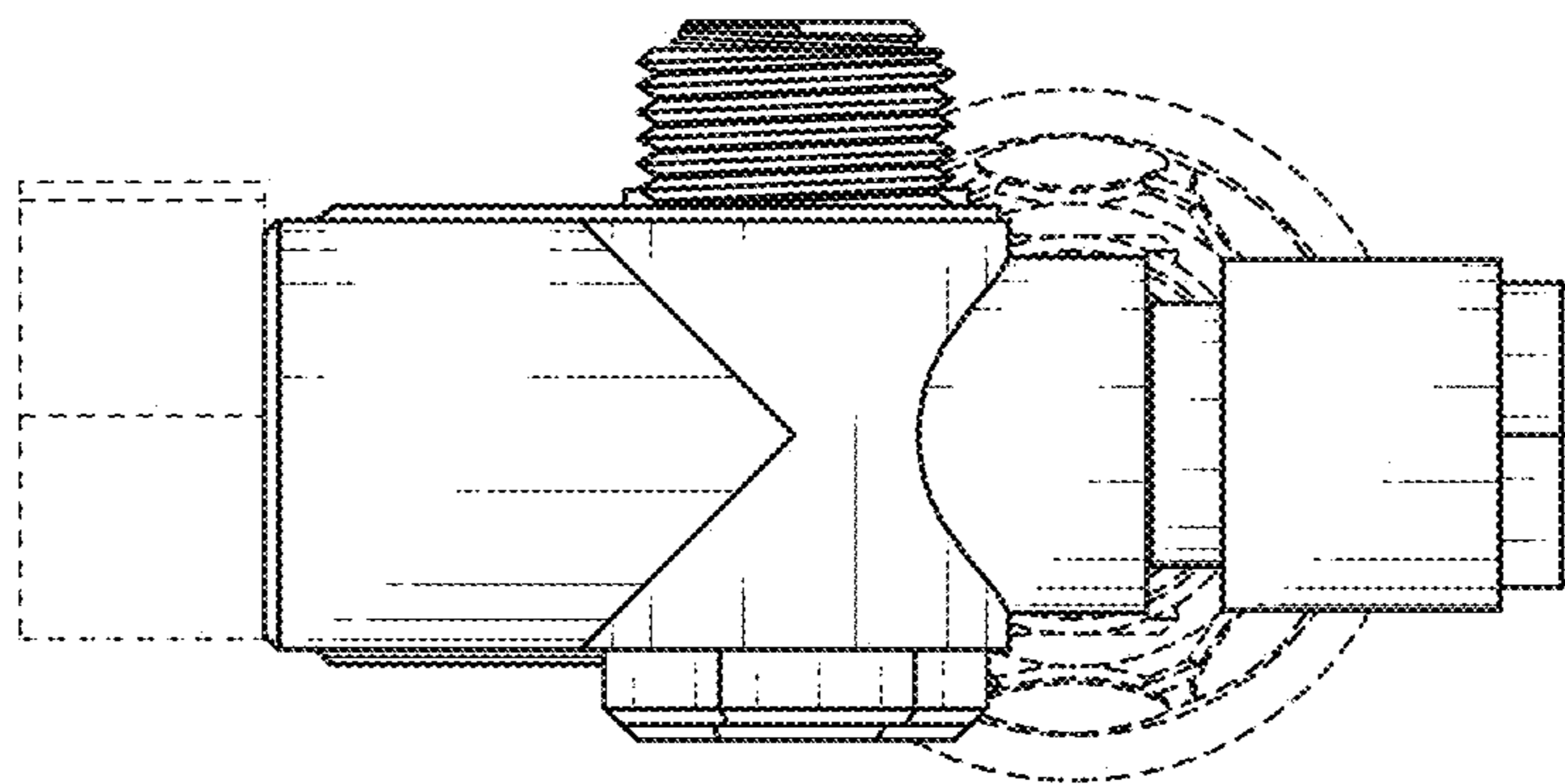


FIG. 12