



US00D908142S

(12) **United States Design Patent**
Marini

(10) **Patent No.:** **US D908,142 S**

(45) **Date of Patent:** **** Jan. 19, 2021**

(54) **TIRE SEALING AND INFLATION DEVICE**

(71) Applicant: **TEK GLOBAL S.R.L.**, Pesaro (IT)

(72) Inventor: **Maurizio Marini**, Pesaro (IT)

(73) Assignee: **TEK GLOBAL S.R.L.**, Pesaro (IT)

(**) Term: **15 Years**

(21) Appl. No.: **29/659,048**

(22) Filed: **Aug. 6, 2018**

Related U.S. Application Data

(62) Division of application No. 35/503,395, filed on Jan. 5, 2017 (U.S. filing date under 35 U.S.C. 384), and having an international filing date of Jan. 5, 2017, now Pat. No. Des. 842,354.

(30) **Foreign Application Priority Data**

Jul. 5, 2016 (EM) 003295112

(51) **LOC (13) Cl.** **15-02**

(52) **U.S. Cl.**

USPC **D15/7**

CPC **F02M 37/04** (2013.01)

(58) **Field of Classification Search**

USPC D15/7-9; D23/231, 232, 225;
417/355-363, 410.1, 411, 416, 405, 900,
417/269, 539; 60/408, 412; 184/23-37;
123/495, 509; 137/565.34

CPC F02M 37/04; F02M 37/14; F04B 53/92;
F04B 1/005; F04D 13/06; F04D 29/22;
F04D 29/046; F04D 29/2266

See application file for complete search history.

(56) **References Cited**

U.S. PATENT DOCUMENTS

D400,892 S * 11/1998 Williams D15/9

D405,097 S * 2/1999 Wong D15/7

D415,500 S *	10/1999	Poon	D15/7
D451,521 S *	12/2001	Poon	D15/7
D464,976 S *	10/2002	Krieger	D15/9
D467,941 S *	12/2002	Duncan	D15/7
D467,942 S *	12/2002	Duncan	D15/7
D470,863 S *	2/2003	Williams	D15/7
D487,899 S *	3/2004	Poon	D15/7
D510,939 S *	10/2005	Nikolayev	D15/9
D558,795 S *	1/2008	Saunders	D15/7
D559,866 S *	1/2008	Saunders	D15/7
D694,268 S *	11/2013	Ohm	D15/7
D764,551 S *	8/2016	Fowler	D15/7
D771,718 S *	11/2016	Liao	D15/7
D805,108 S *	12/2017	Zhang	D15/7
D805,109 S *	12/2017	Exley	D15/7
D807,403 S *	1/2018	Lam	D15/7
D817,364 S *	5/2018	He	D15/7
D823,344 S *	7/2018	Malcolm	D15/7
D873,863 S *	1/2020	Marini	D15/7
2018/0126963 A1 *	5/2018	Kobler	B60S 5/043

* cited by examiner

Primary Examiner — Richard E Chilcot

(74) *Attorney, Agent, or Firm* — Dorsey & Whitney LLP

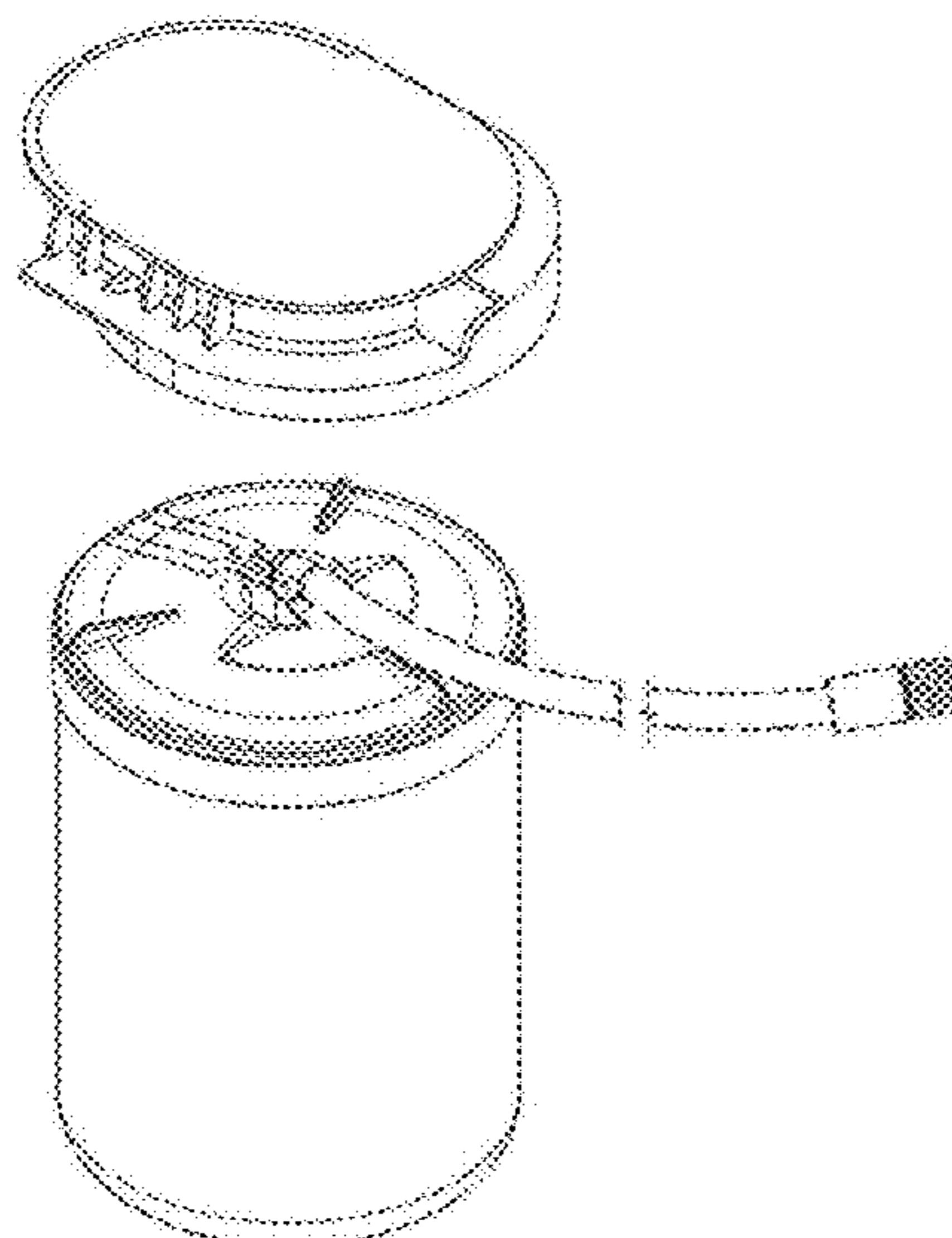
(57) **CLAIM**

The ornamental design for a tire sealing and inflation device, as shown and described.

DESCRIPTION

FIG. 1 is a perspective view of a new design for a tire sealing and inflation device;
FIG. 2 is a top plan view thereof;
FIG. 3 is a bottom plan view thereof;
FIG. 4 is a left side elevational view thereof;
FIG. 5 is a back elevational view thereof;
FIG. 6 is a right side elevational view thereof; and,
FIG. 7 is a front elevational view thereof.
The broken lines shown in the drawings are for illustrative purposes only and form no part of the claimed design.

1 Claim, 7 Drawing Sheets



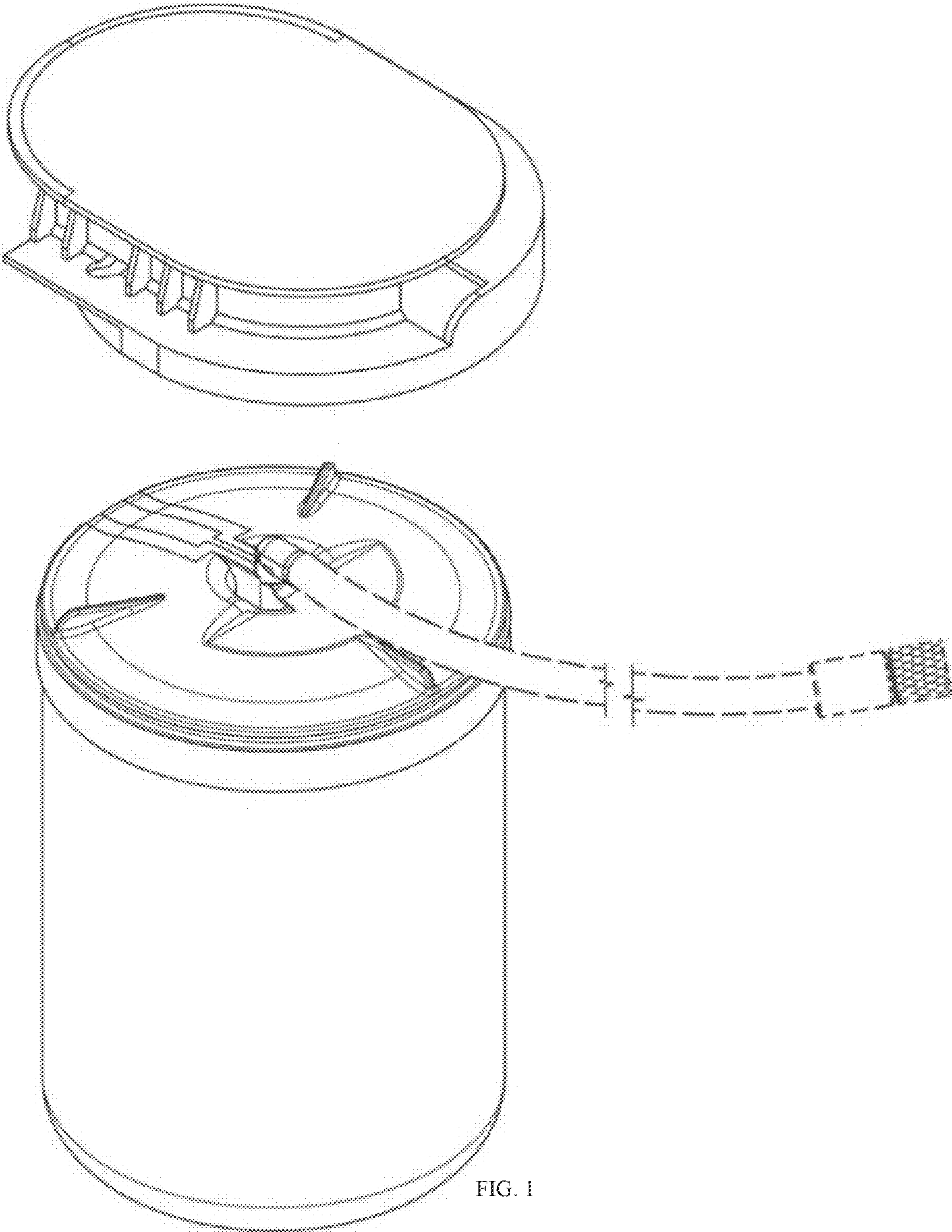


FIG. 1

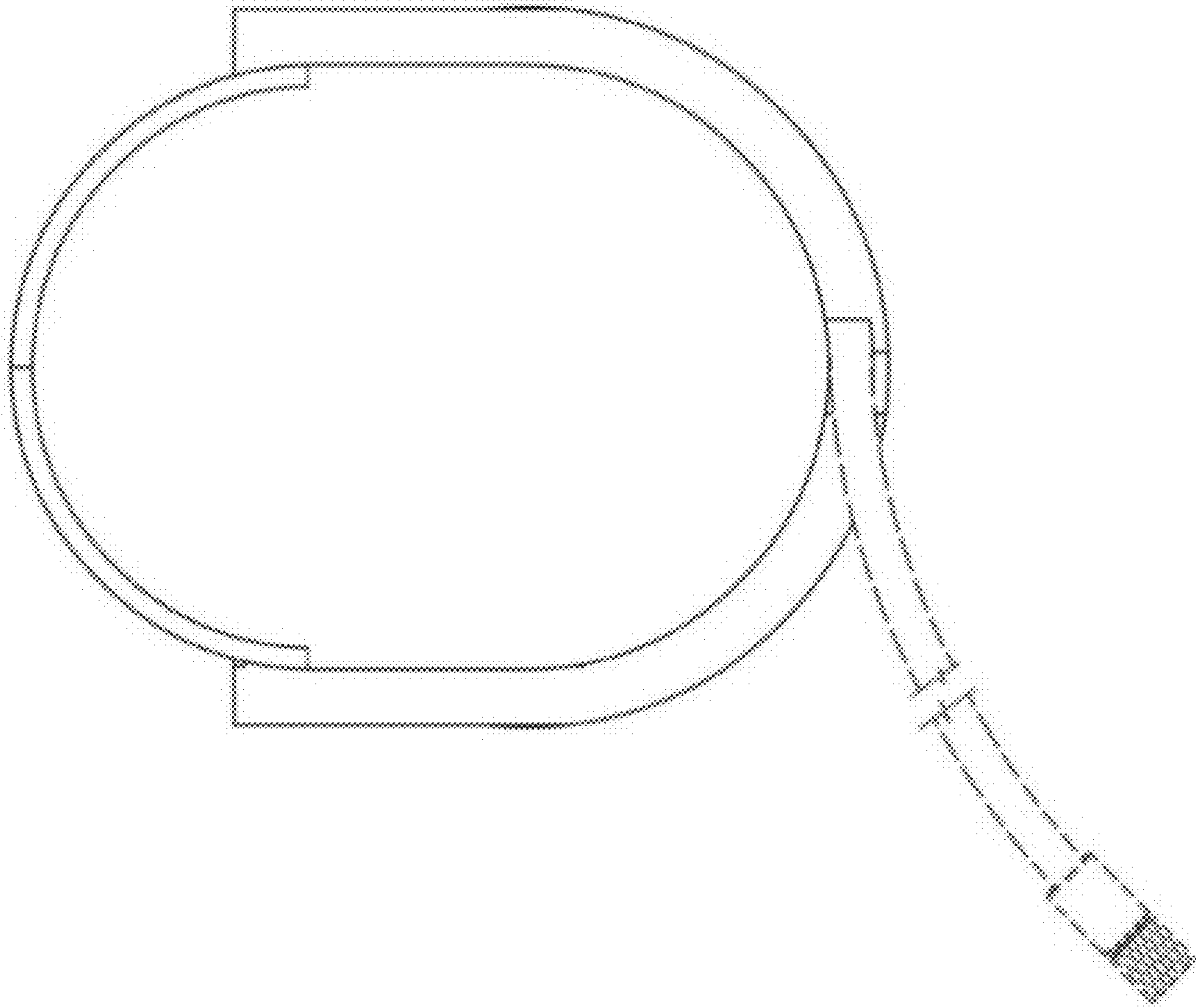


FIG. 2

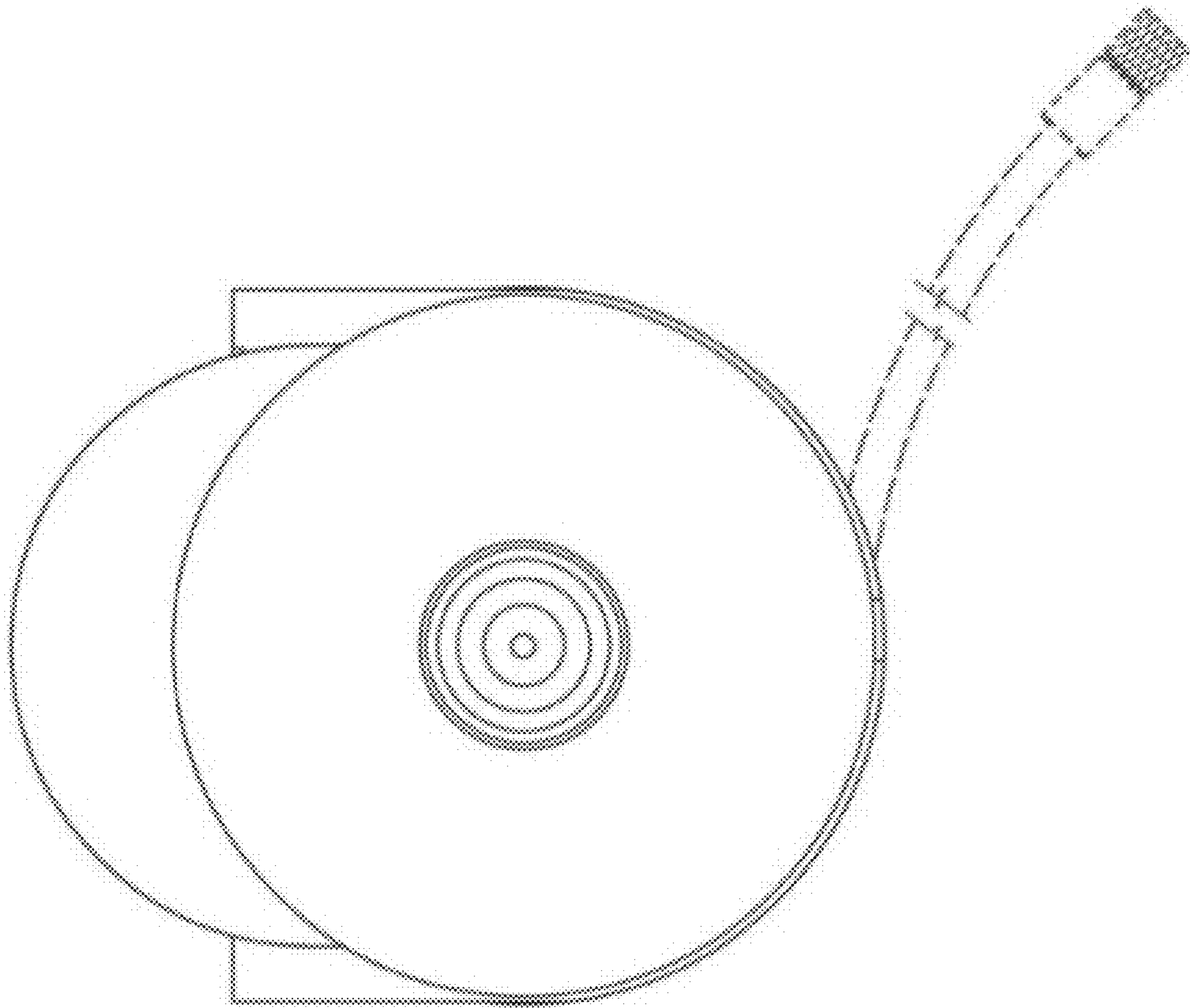


FIG. 3

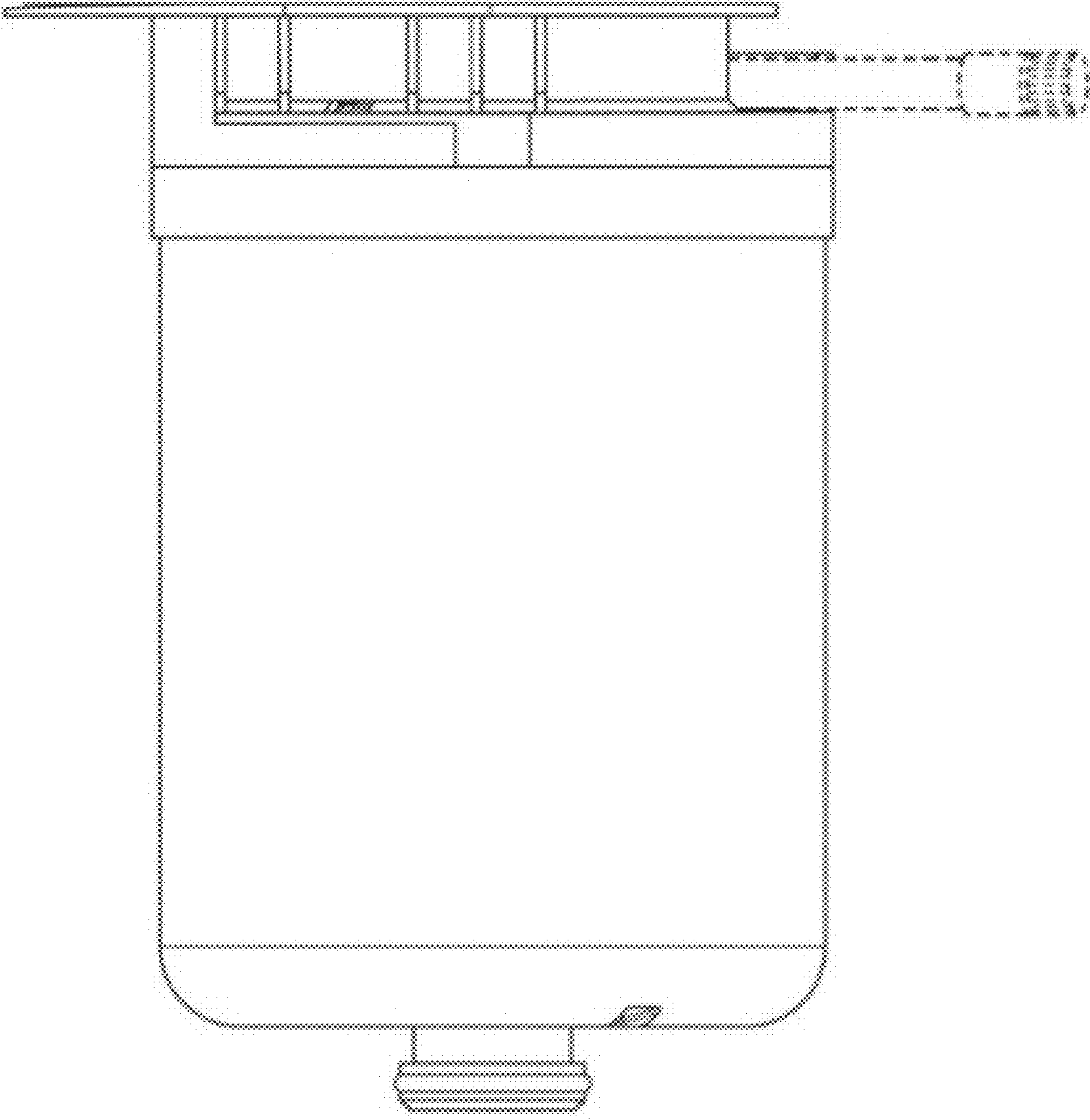


FIG. 4

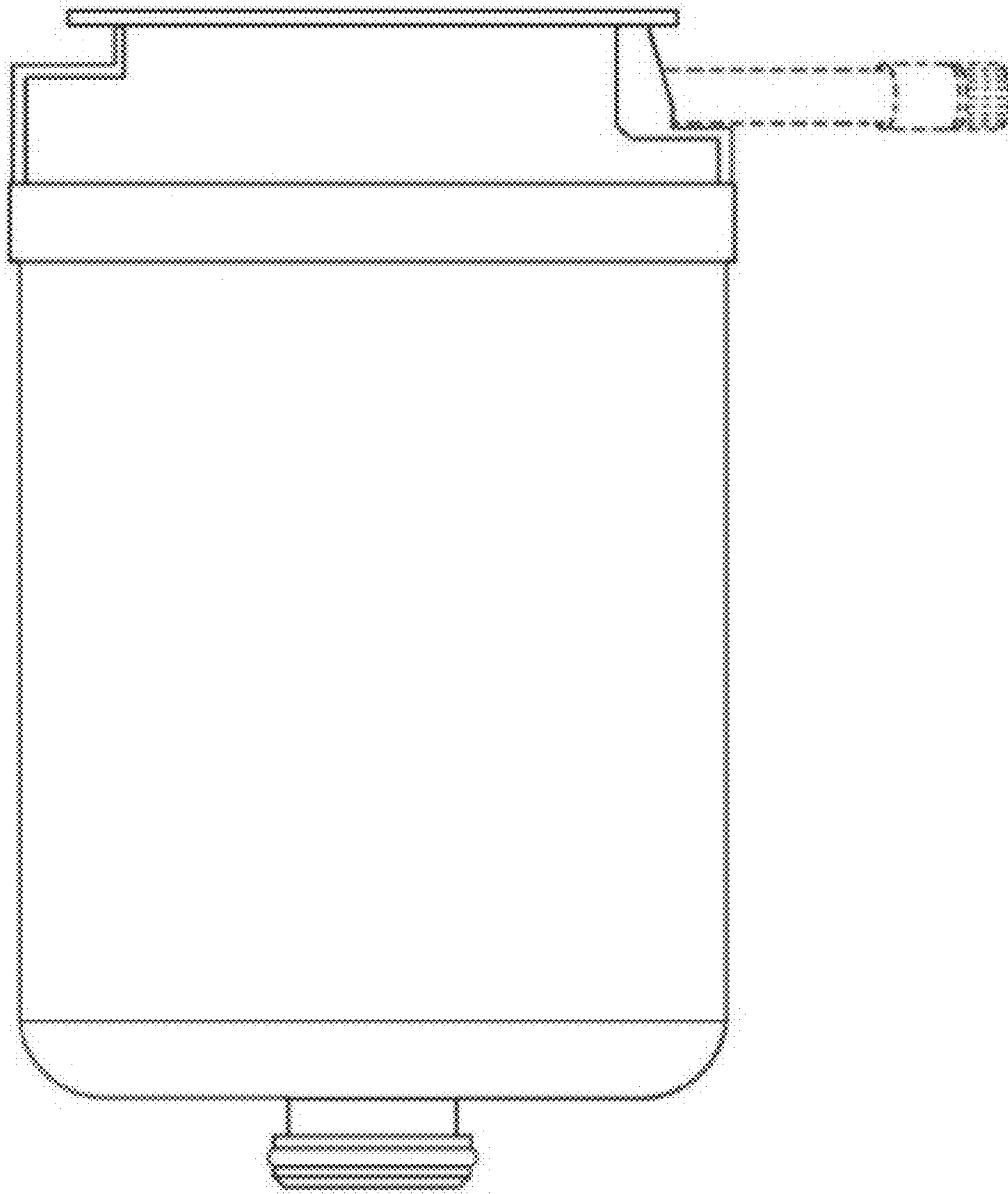


FIG. 5

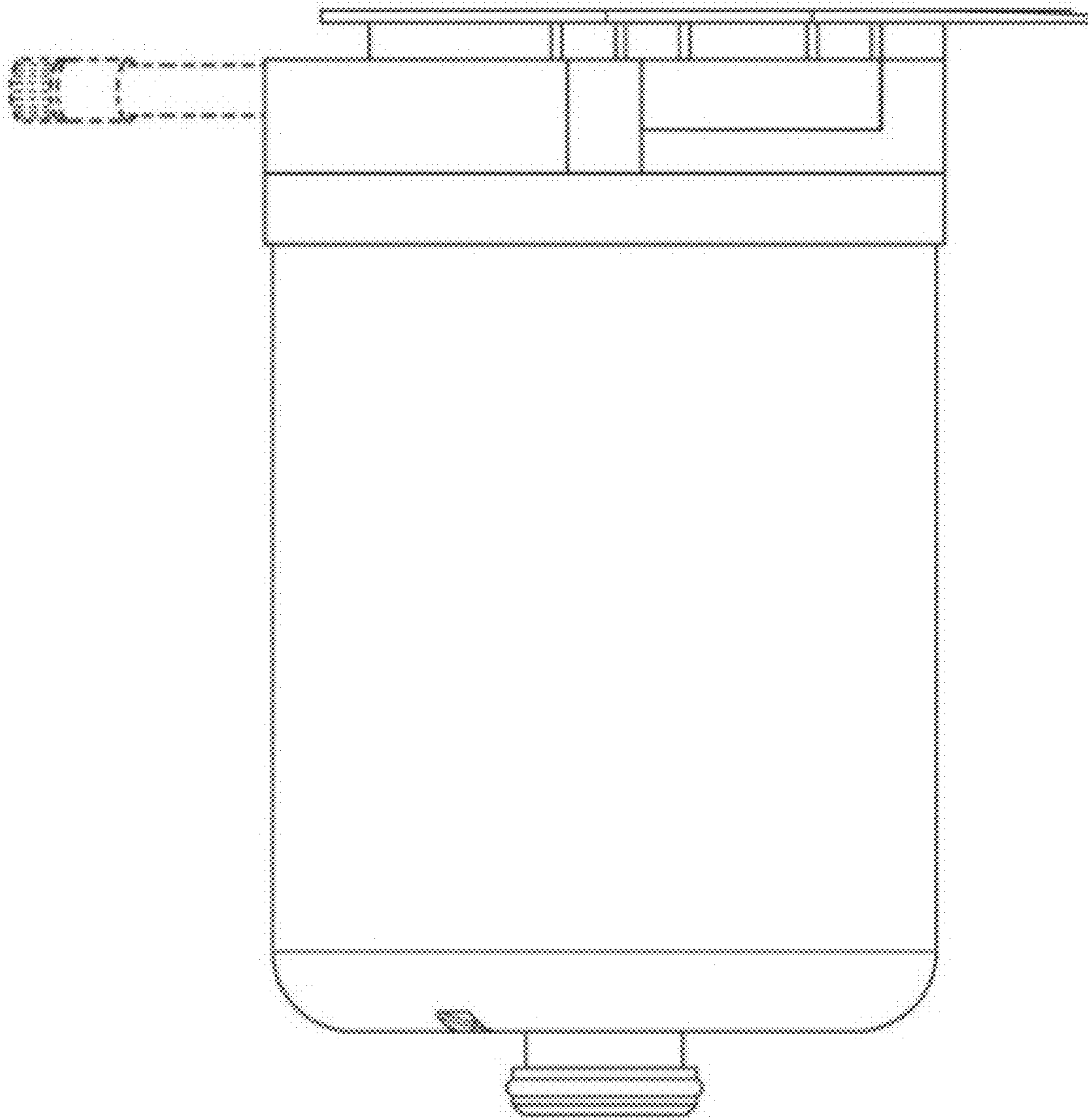


FIG. 6

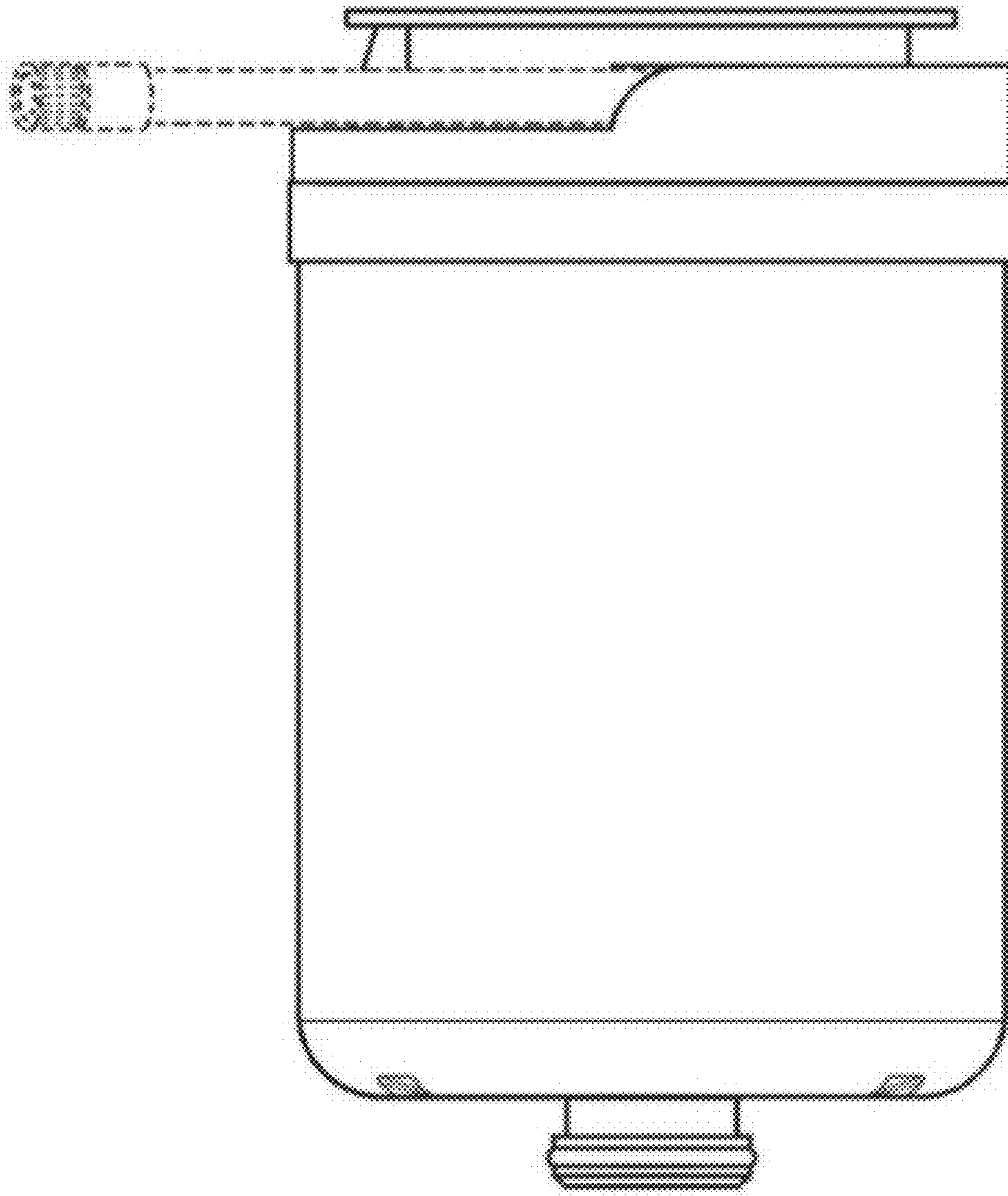


FIG. 7