



US00D908141S

(12) **United States Design Patent** (10) **Patent No.:** **US D908,141 S**
Wei (45) **Date of Patent:** **** Jan. 19, 2021**

(54) **INTAKE MANIFOLD**
(71) Applicant: **DeepMotor, Inc.**, Rancho Cucamonga, CA (US)
(72) Inventor: **Yong Wei**, Rancho Cucamonga, CA (US)
(73) Assignee: **DeepMotor, Inc.**, Rancho Cucamonga, CA (US)

D673,979 S 1/2013 Finnican
D677,699 S 3/2013 Finnican
D680,132 S 4/2013 Finnican
D737,862 S 9/2015 Finnican
9,273,653 B2 3/2016 Wilson
9,617,957 B2 4/2017 Shinkai et al.
D802,628 S 11/2017 Fischetto
D814,523 S 4/2018 Vaninetti et al.

(Continued)

(**) Term: **15 Years**

(21) Appl. No.: **29/691,754**

(22) Filed: **May 19, 2019**

(51) **LOC (13) Cl.** **15-01**

(52) **U.S. Cl.**
USPC **D15/5**

(58) **Field of Classification Search**
USPC D15/1-5
CPC F02M 35/10091; F02M 35/10222; F02M 35/10295; F02M 35/10321; F02M 35/10262; F02M 35/104; F02M 35/10354; F02M 35/116; F02M 35/10052; F02M 35/10078; F02M 35/112; F02M 35/10085; F02M 31/00; F02M 31/04; F02M 31/042; F02M 31/045; F02M 31/047; F02M 31/093; F02M 35/10144; F02M 35/10039; F02M 35/10347; F02M 35/10334

See application file for complete search history.

(56) **References Cited**

U.S. PATENT DOCUMENTS

4,925,510 A * 5/1990 Hojo F02M 35/10321 156/153
D364,628 S 11/1995 Haller
5,494,011 A 2/1996 Haller
D654,094 S 2/2012 Dralle
8,122,864 B2 2/2012 Randall et al.
8,220,430 B2 7/2012 Gupta

FOREIGN PATENT DOCUMENTS

CN 303479863 12/2015
CN 303727690 6/2016

Primary Examiner — Ania Aman

(74) *Attorney, Agent, or Firm* — Heidi Eisenhut; Loza & Loza, LLP

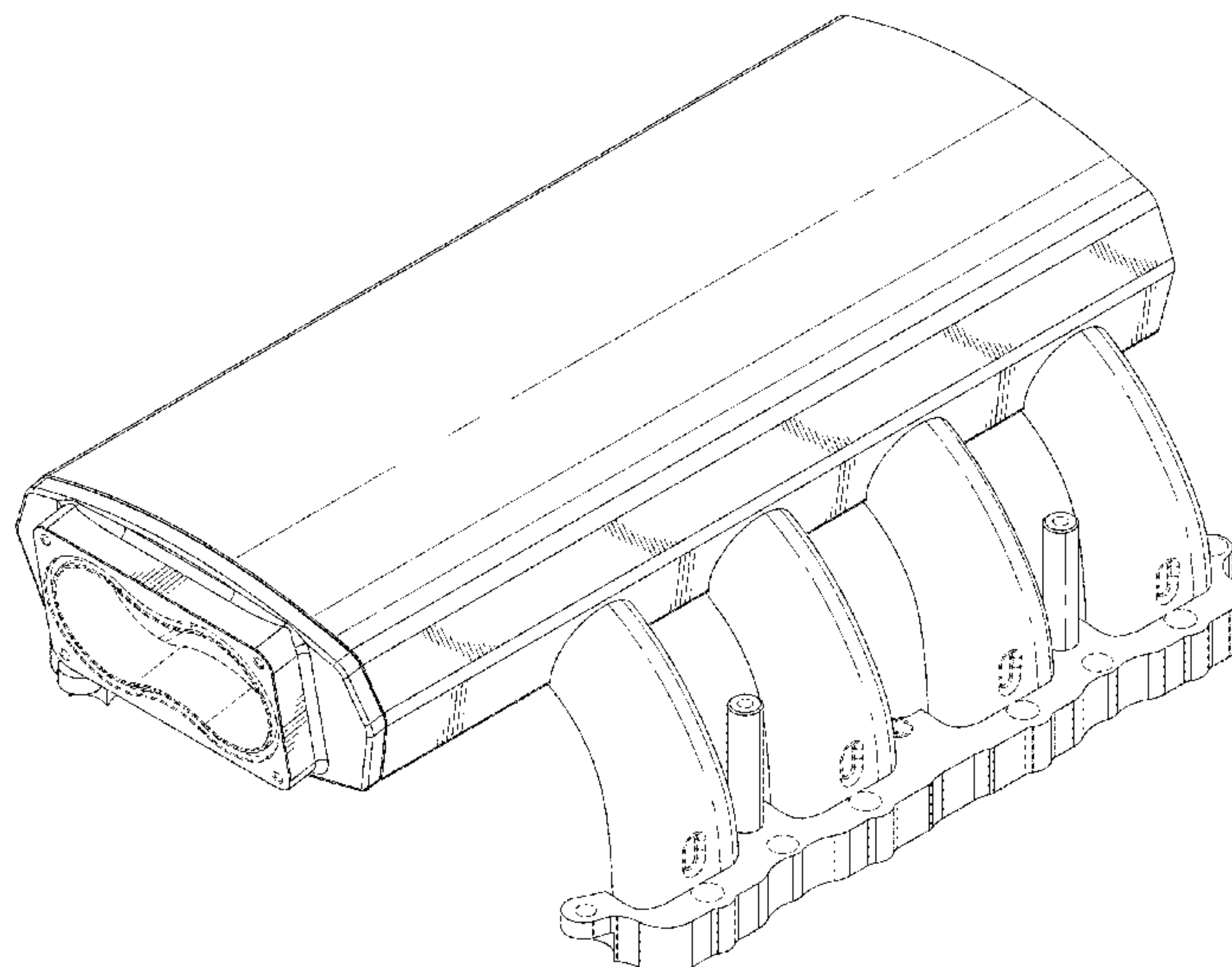
(57) **CLAIM**

The ornamental design for an intake manifold, as shown and described.

DESCRIPTION

FIG. 1 is a front, right, top perspective view of an intake manifold;
FIG. 2 is a rear, left, bottom perspective view of the intake manifold of FIG. 1;
FIG. 3 is a right side elevation view of the intake manifold of FIG. 1;
FIG. 4 is a left side elevation view of the intake manifold of FIG. 1;
FIG. 5 is a front elevation view of the intake manifold of FIG. 1;
FIG. 6 is a rear elevation view of the intake manifold of FIG. 1;
FIG. 7 is a top plan view of the intake manifold of FIG. 1; and,
FIG. 8 is a bottom plan view of the intake manifold of FIG. 1.
The broken lines show features of the intake manifold that form no part of the claimed design.

1 Claim, 8 Drawing Sheets



(56)

References Cited

U.S. PATENT DOCUMENTS

2011/0169186 A1* 7/2011 Bruman B22D 25/02
264/138
2017/0067424 A1* 3/2017 Krogdahl F02M 35/116
2017/0204817 A1* 7/2017 Nola F02M 35/104

* cited by examiner

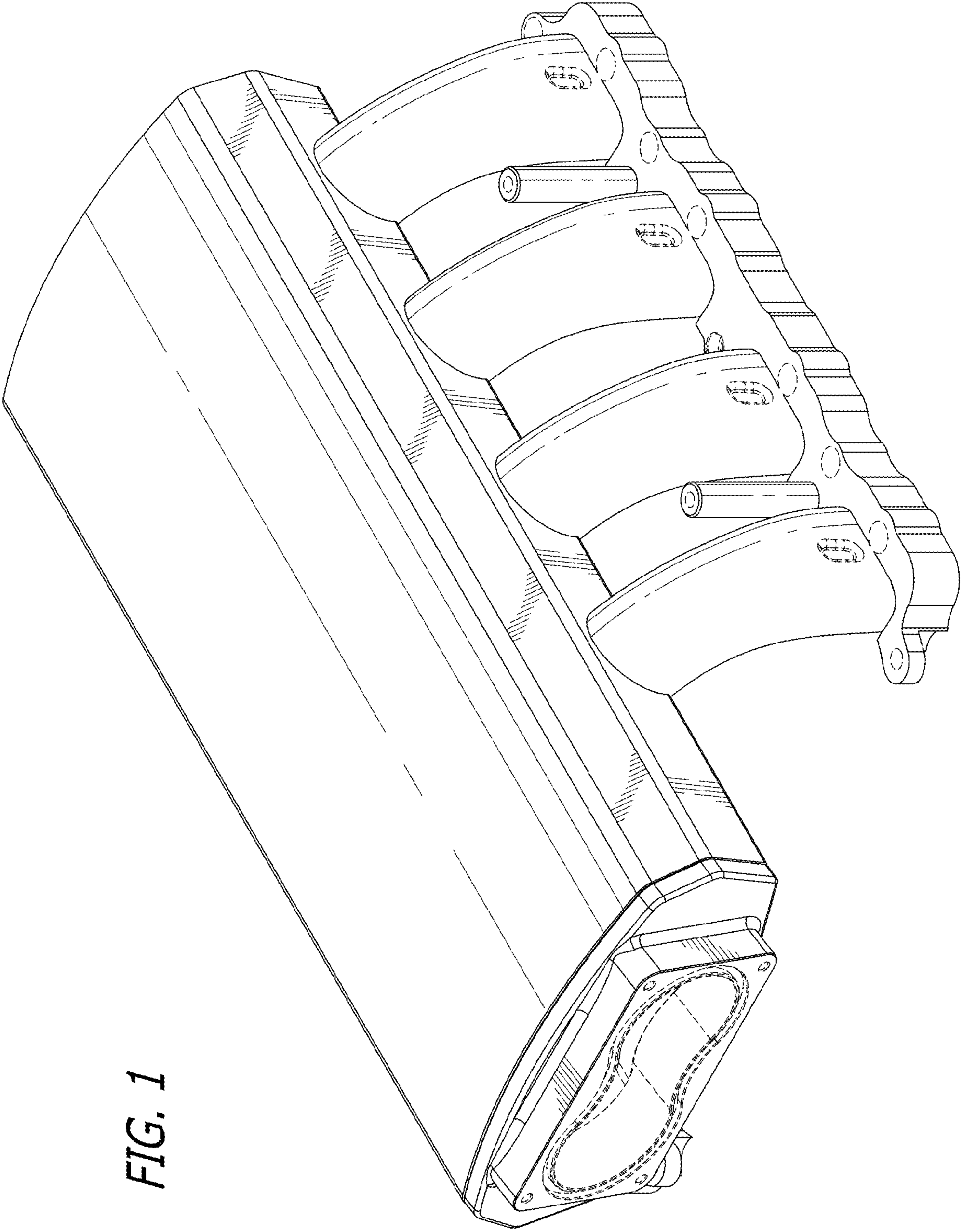
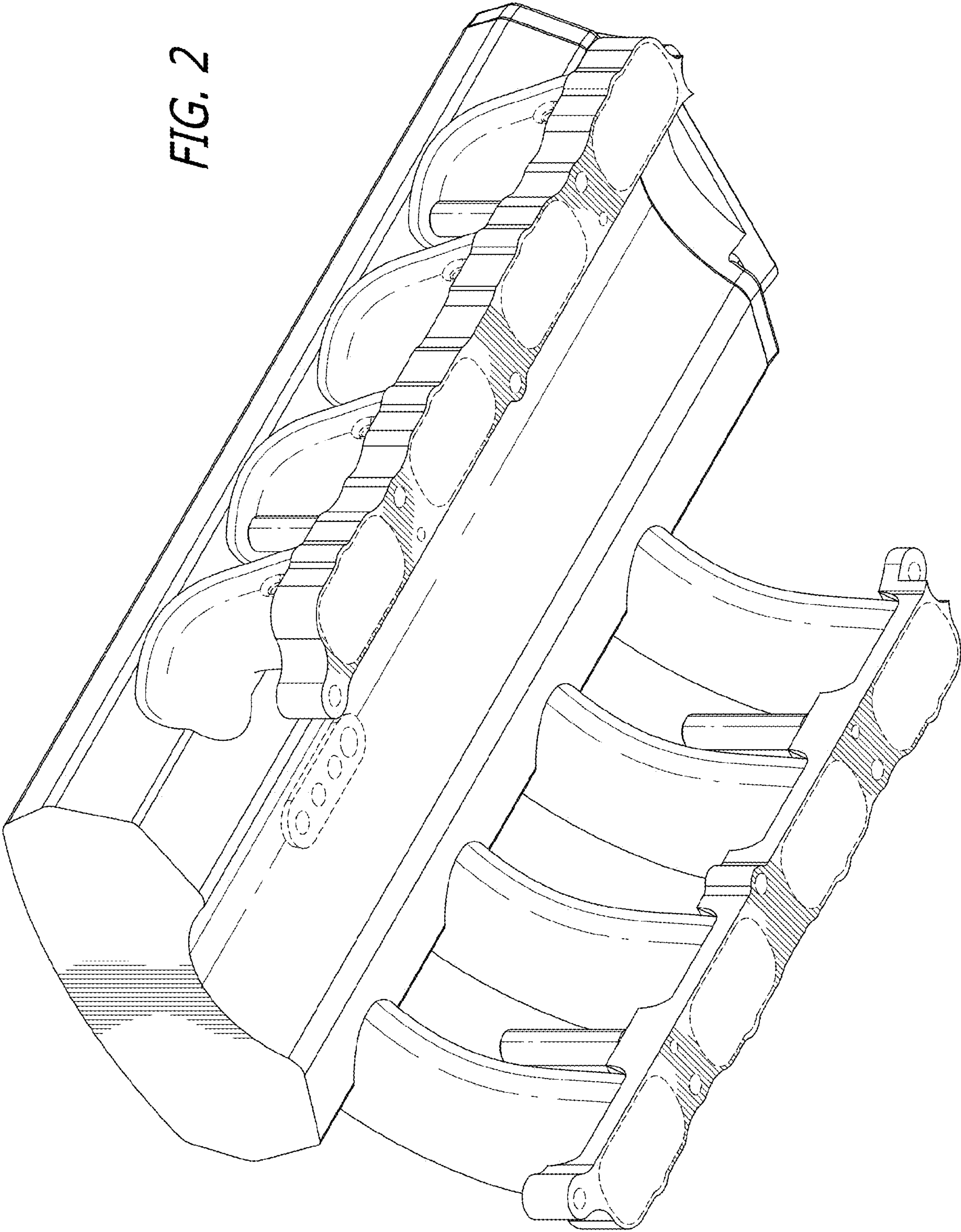


FIG. 1

FIG. 2



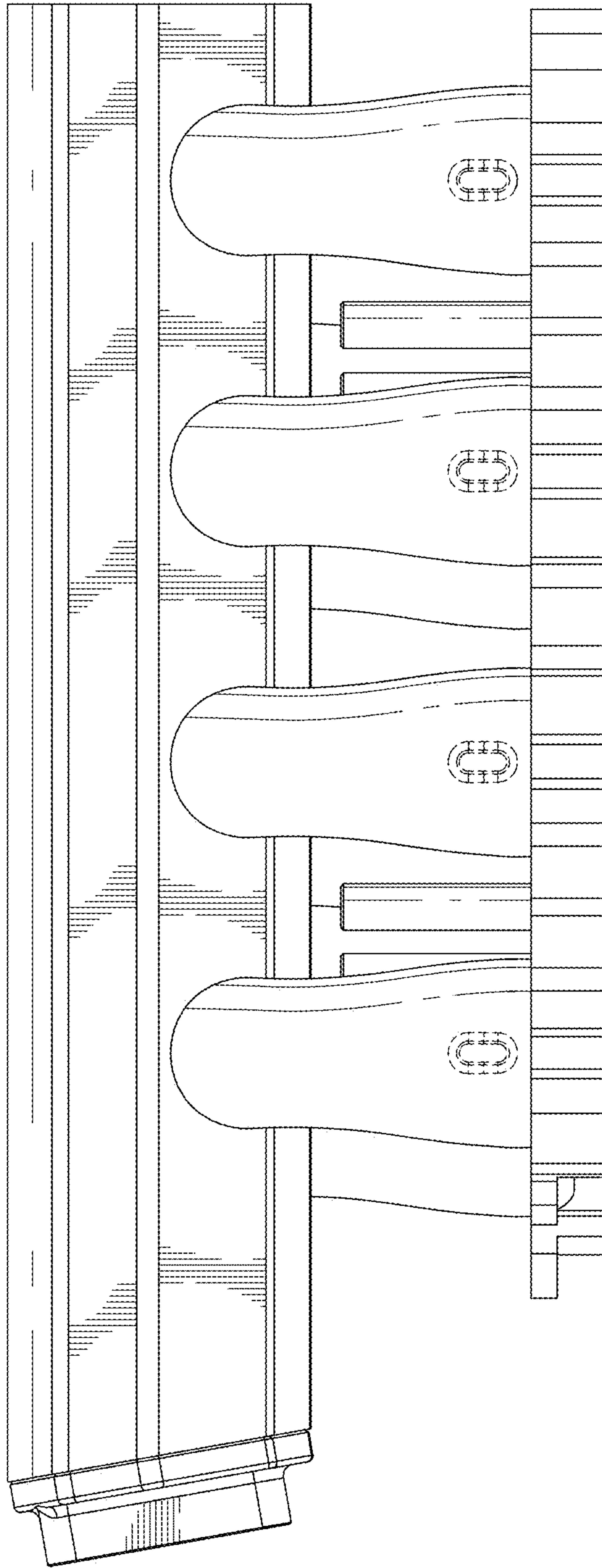


FIG. 3

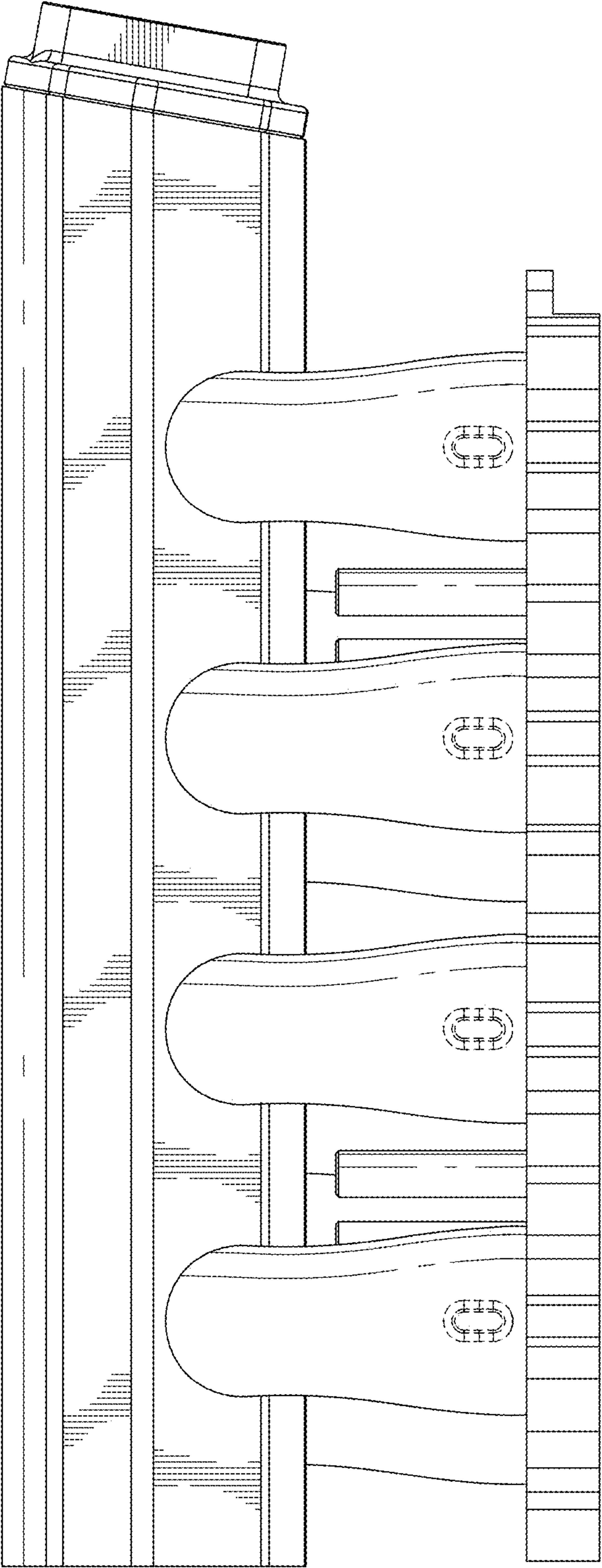


FIG. 4

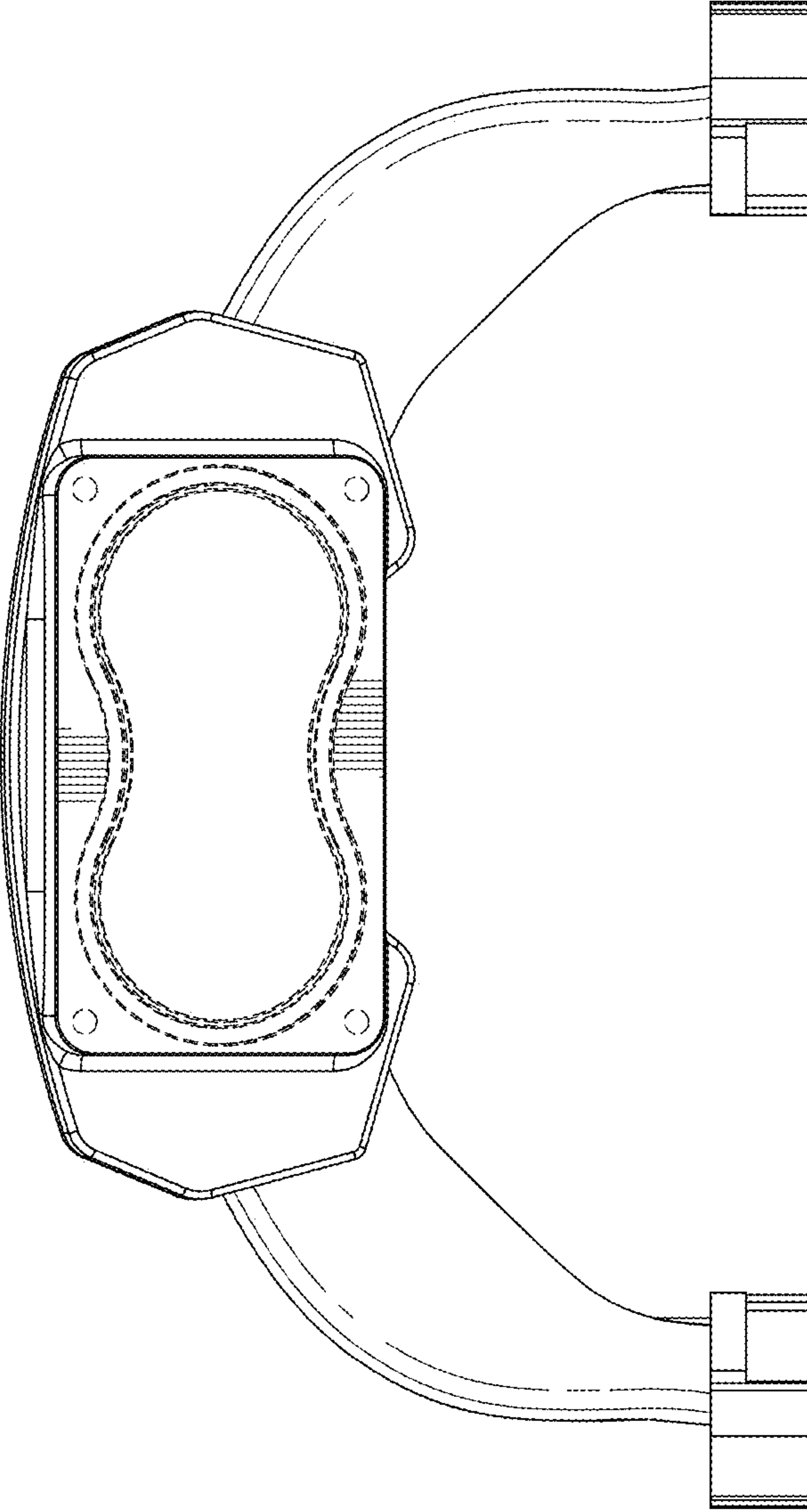


FIG. 5

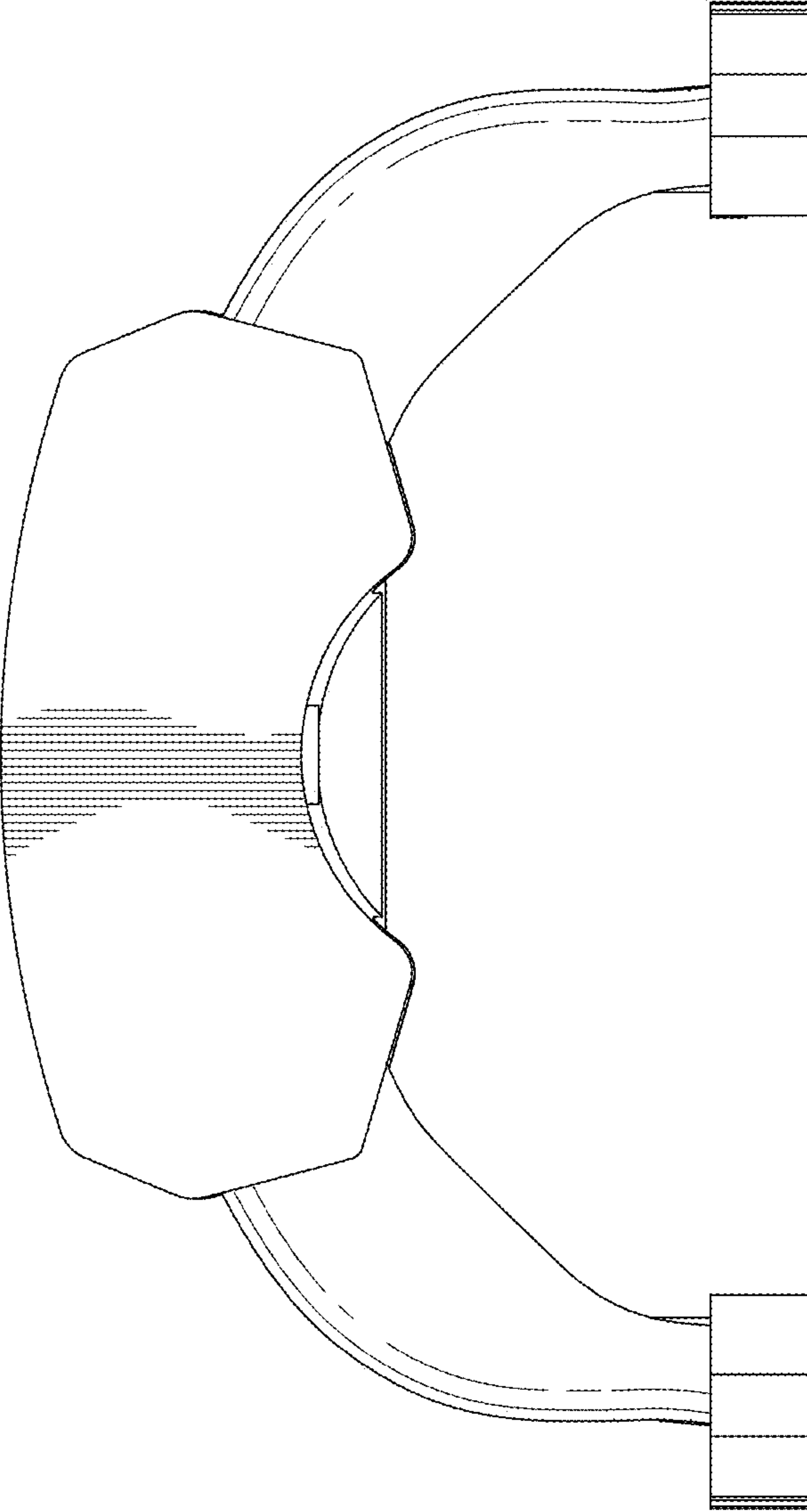


FIG. 6

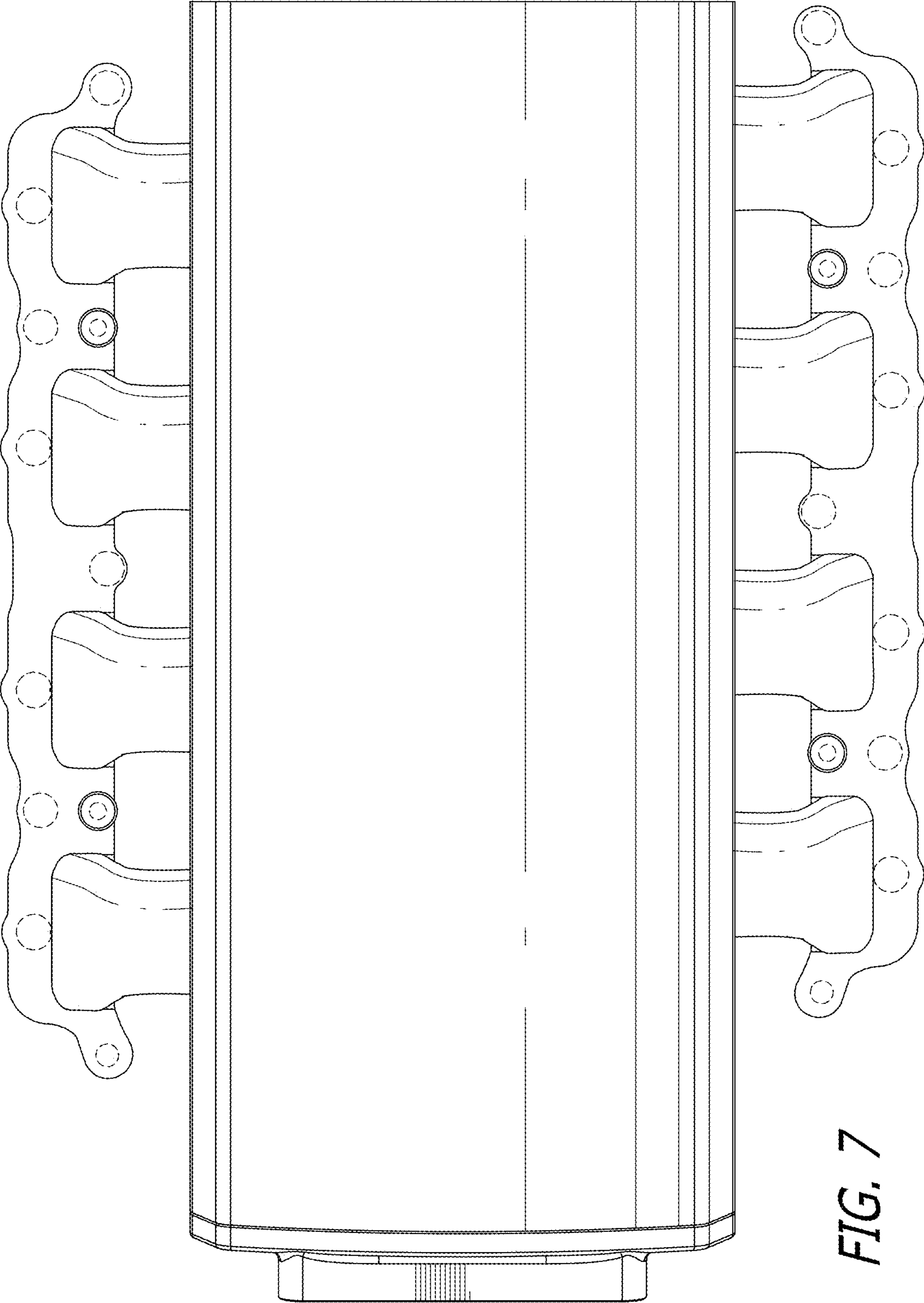


FIG. 7

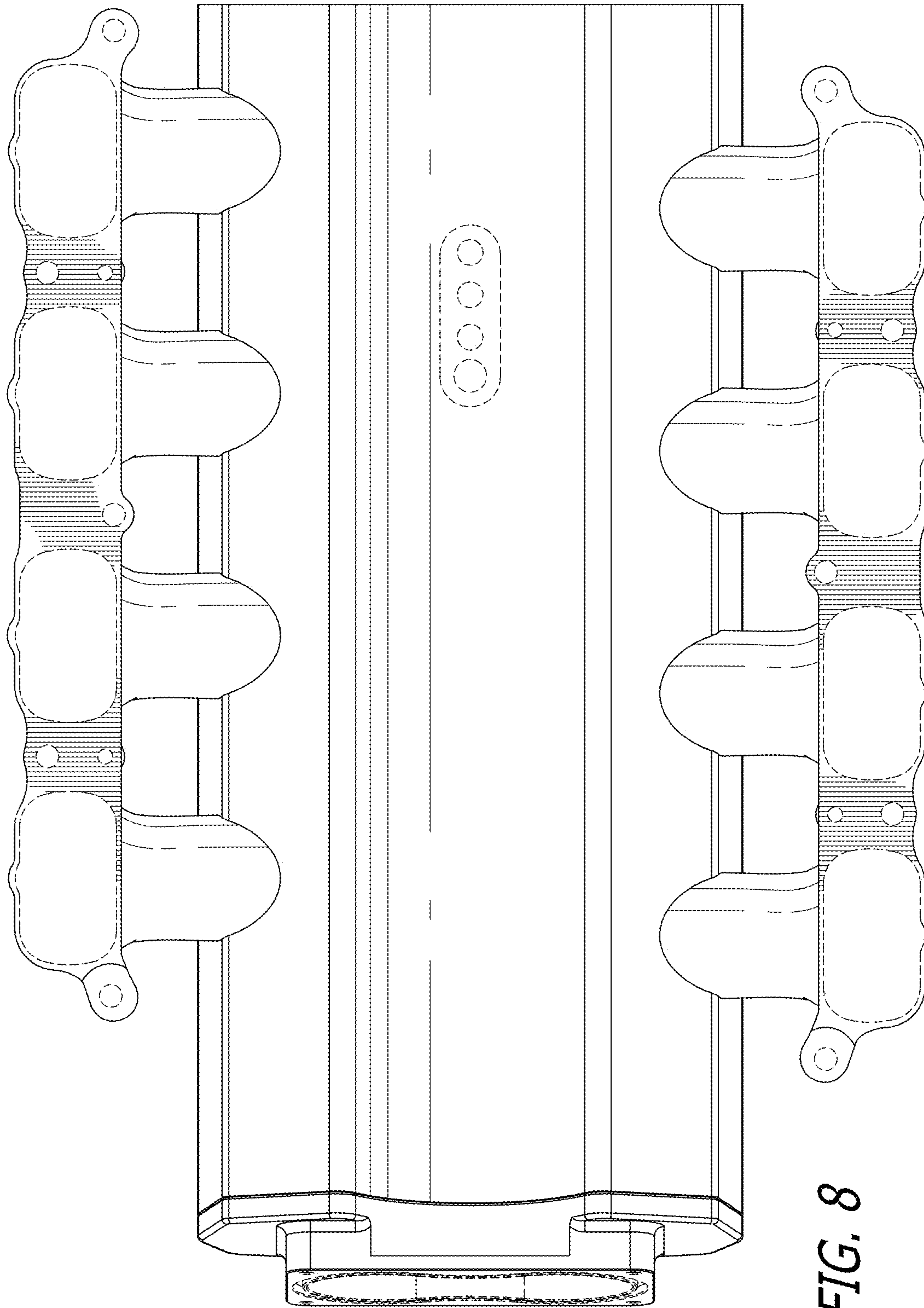


FIG. 8