



US00D908132S

(12) **United States Design Patent**  
**Poon**

(10) **Patent No.:** **US D908,132 S**  
(45) **Date of Patent:** **\*\* Jan. 19, 2021**

- (54) **CASE FOR PORTABLE ELECTRONIC DEVICE**
- (71) Applicant: **Griffin Technology, LLC**, Irvine, CA (US)
- (72) Inventor: **Daniel Poon**, Nashville, TN (US)
- (73) Assignee: **Griffin Technology, LLC**, Irvine, CA (US)
- (\*\*) Term: **15 Years**
- (21) Appl. No.: **29/722,984**
- (22) Filed: **Feb. 3, 2020**

- D766,249 S \* 9/2016 Veltz ..... D14/440
- D801,976 S \* 11/2017 Li ..... D14/440
- D804,486 S \* 12/2017 Nyholm ..... D14/440
- D807,370 S \* 1/2018 Chen ..... D14/440
- D808,371 S \* 1/2018 Kim ..... D14/250
- D808,395 S \* 1/2018 Fenton ..... D14/440
- D888,063 S \* 6/2020 Chan ..... D14/440
- D888,719 S \* 6/2020 Moore ..... D14/440

(Continued)

*Primary Examiner* — Cynthia R Underwood  
(74) *Attorney, Agent, or Firm* — Hojka Qadeer, LLC

(57) **CLAIM**

The ornamental design for a case for a portable electronic device, as shown and described.

**DESCRIPTION**

FIG. 1 is a front perspective view of a first embodiment of a design for a case for a portable electronic device.  
 FIG. 2 is a rear perspective view of the first embodiment.  
 FIG. 3 is a front view of the first embodiment.  
 FIG. 4 is a rear view of the first embodiment.  
 FIG. 5 is a left side view of the first embodiment.  
 FIG. 6 is a right side view of the first embodiment.  
 FIG. 7 is a top end view of the first embodiment.  
 FIG. 8 is a bottom end view of the first embodiment.  
 FIG. 9 is a front perspective view of a second embodiment of a design for a case for a portable electronic device.  
 FIG. 10 is a rear perspective view of the second embodiment.  
 FIG. 11 is a front view of the second embodiment.  
 FIG. 12 is a rear view of the second embodiment.  
 FIG. 13 is a left side view of the second embodiment.  
 FIG. 14 is a right side view of the second embodiment.  
 FIG. 15 is a top end view of the second embodiment; and,  
 FIG. 16 is a bottom end view of the second embodiment.  
 The dash-dash broken lines indicate portions of the case that form no part of the claimed design.

**Related U.S. Application Data**

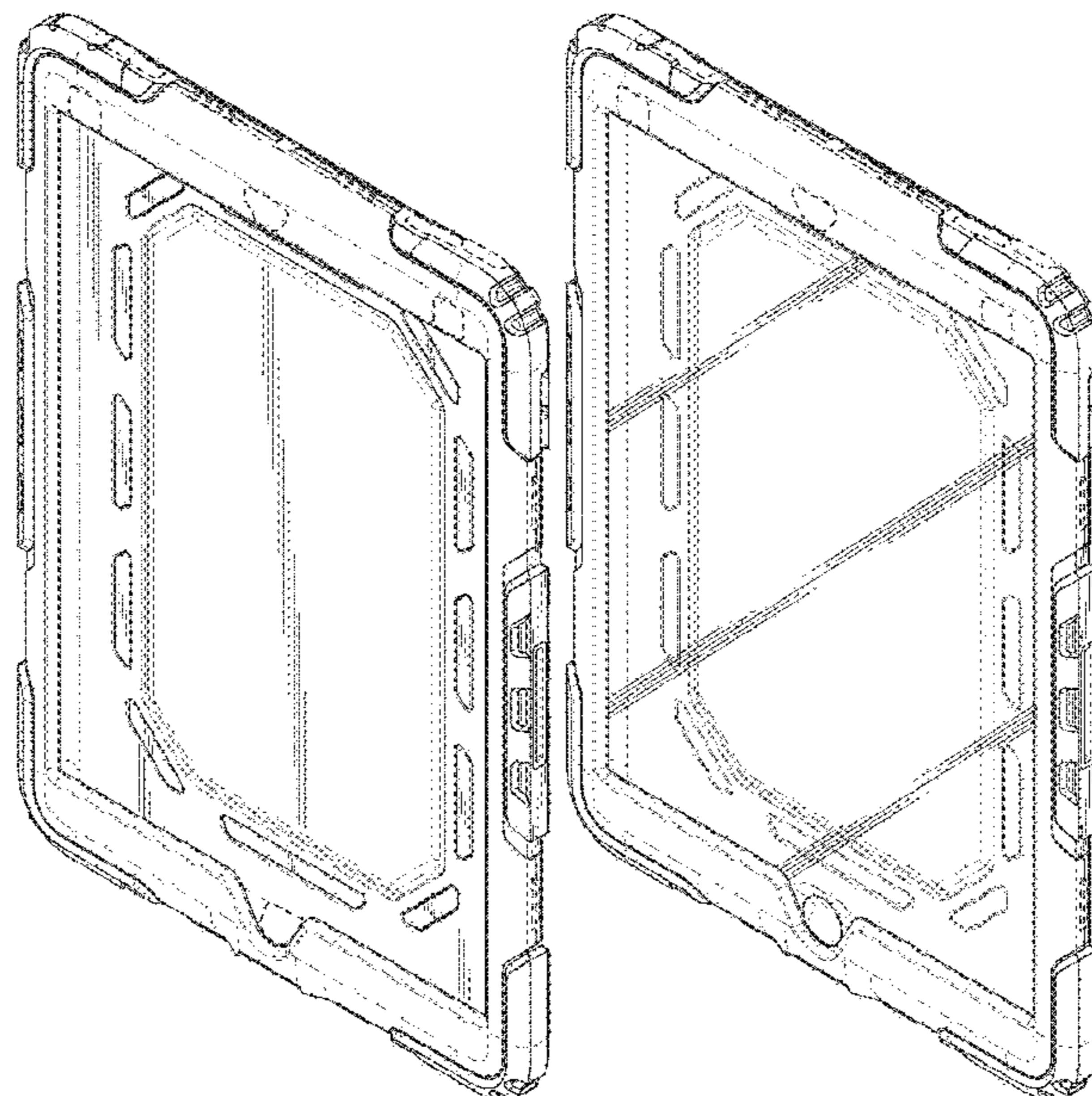
- (62) Division of application No. 29/614,698, filed on Aug. 22, 2017, now Pat. No. Des. 874,465.
- (51) **LOC (13) Cl.** ..... **14-02**
- (52) **U.S. Cl.**  
USPC ..... **D14/440**
- (58) **Field of Classification Search**  
USPC ..... D14/440, 447, 250; 206/45.23, 320,  
206/45.2; 361/679.55; 294/25; 224/218;  
455/575.8  
CPC ... G06F 1/1628; G06F 1/1626; A47B 23/044;  
H04B 1/3888; A45C 11/00  
See application file for complete search history.

(56) **References Cited**

**U.S. PATENT DOCUMENTS**

- D670,279 S \* 11/2012 Veltz ..... D14/250
- D690,305 S \* 9/2013 Wen ..... D14/440
- D724,093 S \* 3/2015 Dong ..... D14/440
- D733,154 S \* 6/2015 Armstrong ..... D14/440
- D733,714 S \* 7/2015 Ballou ..... D14/440
- D737,276 S \* 8/2015 Armstrong ..... D14/440

**1 Claim, 12 Drawing Sheets**



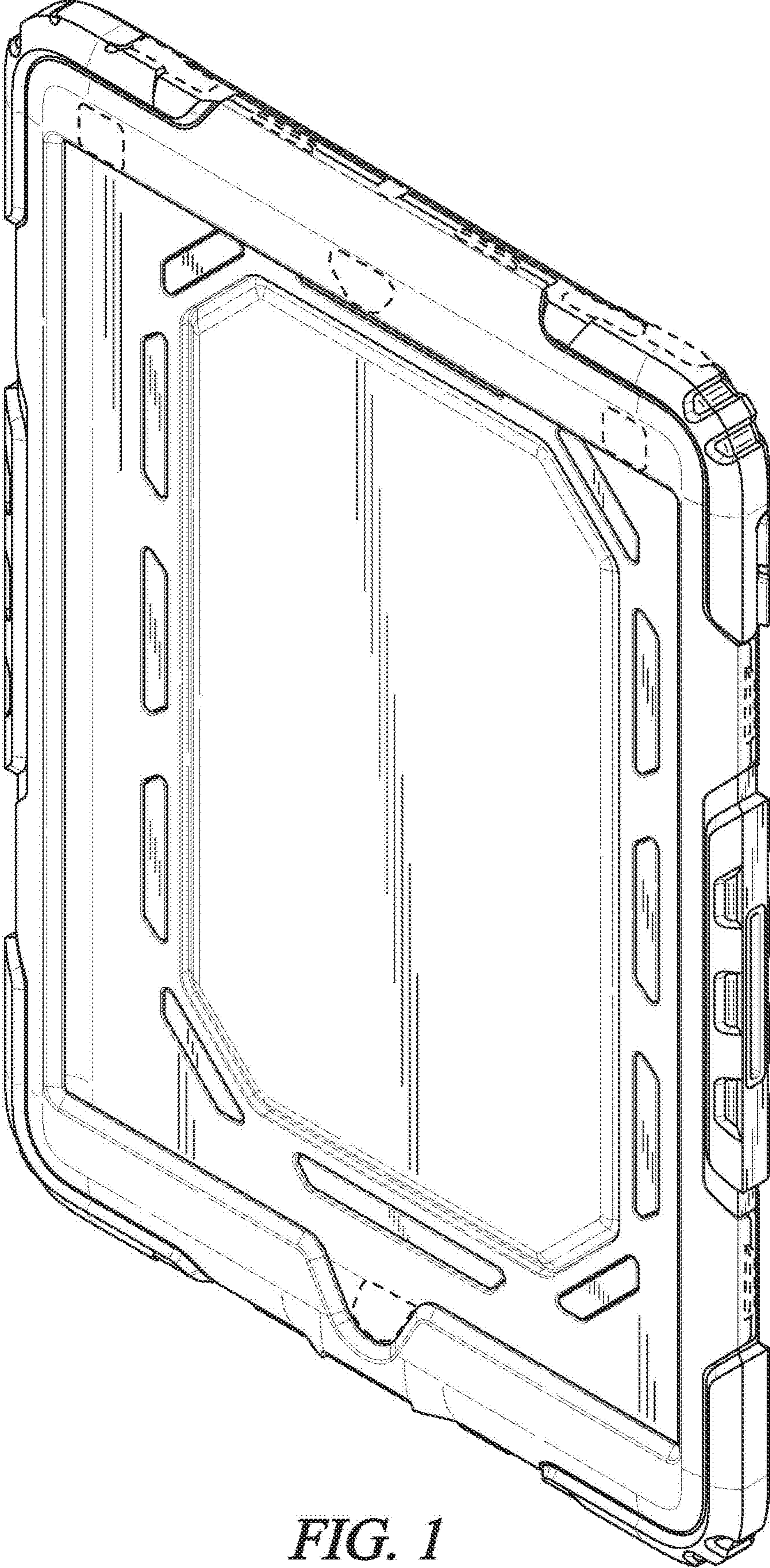
(56)

**References Cited**

U.S. PATENT DOCUMENTS

2015/0068934 A1\* 3/2015 Armstrong ..... H04B 1/3888  
206/320  
2017/0045920 A1\* 2/2017 Armstrong ..... G06F 1/1669

\* cited by examiner



*FIG. 1*

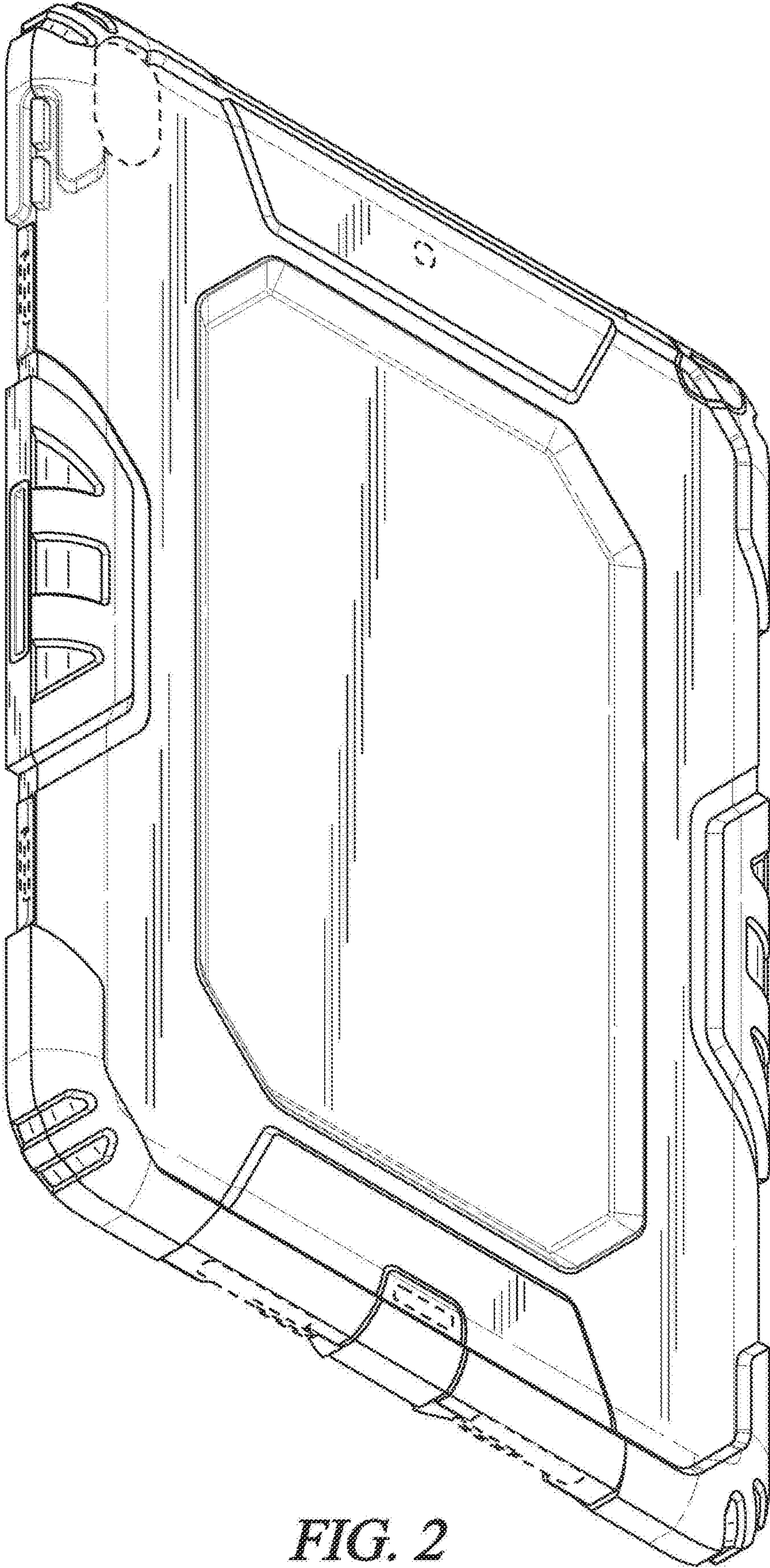


FIG. 2

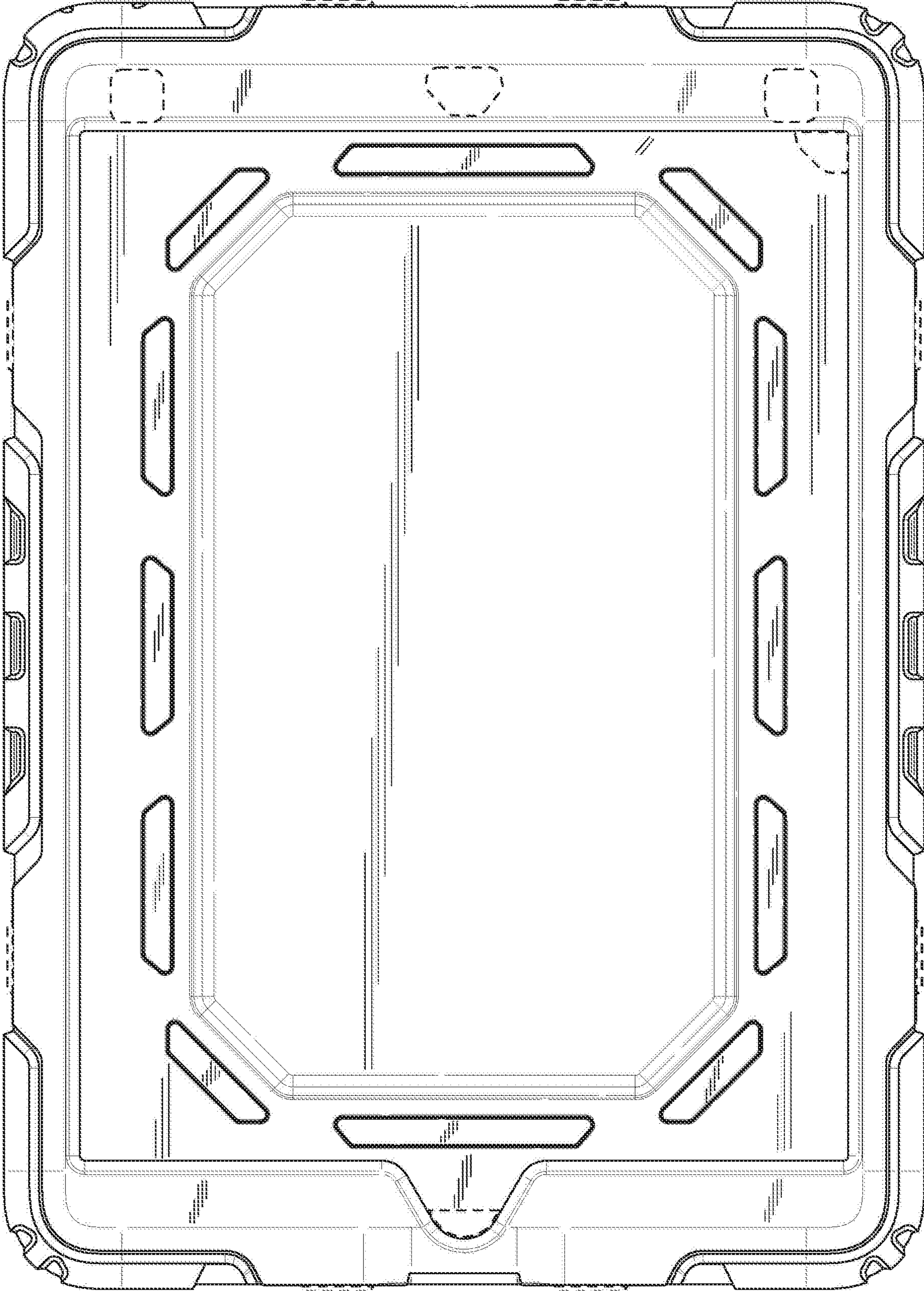


FIG. 3

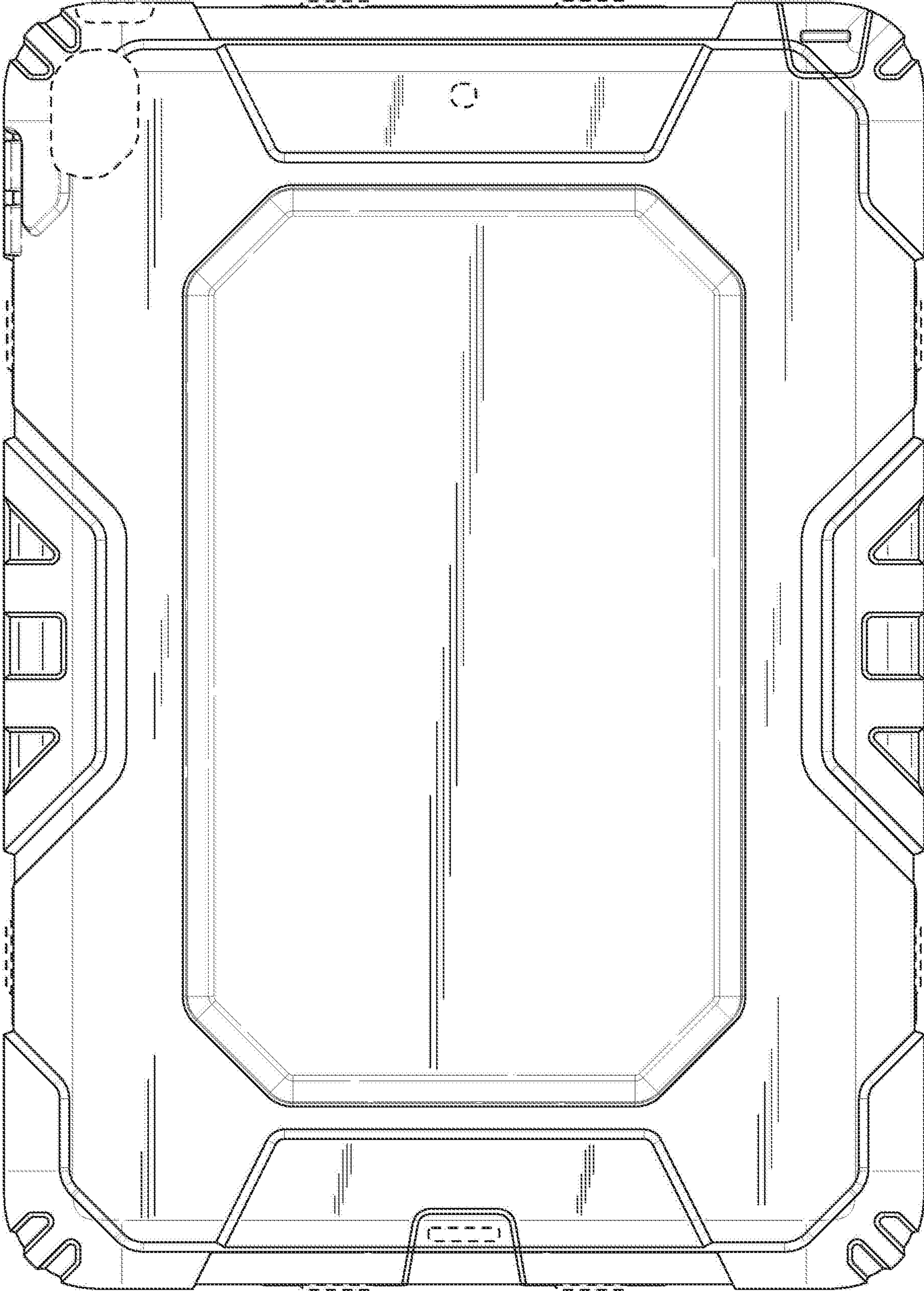
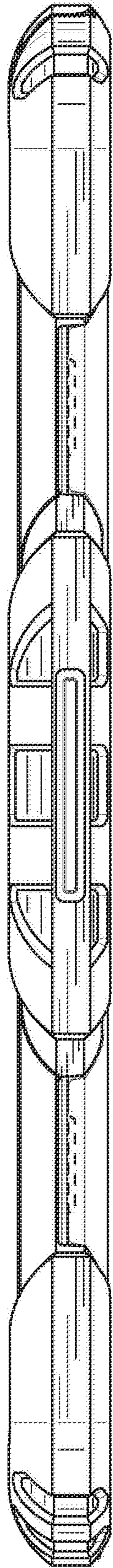
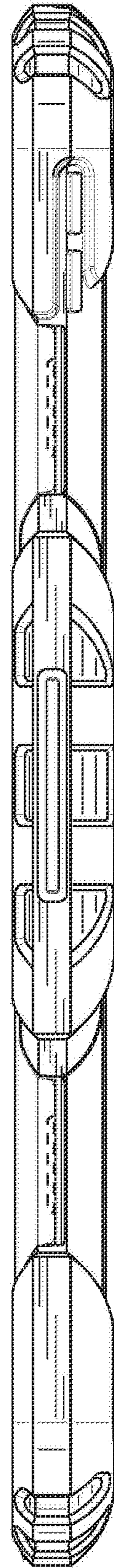


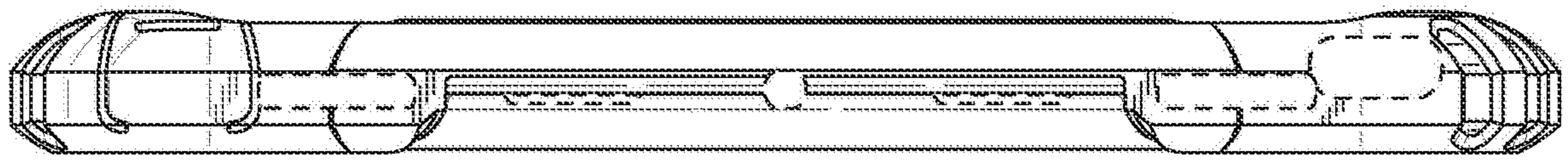
FIG. 4



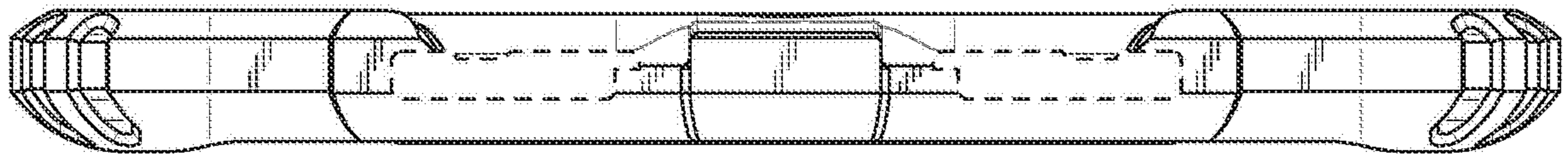
*FIG. 5*



*FIG. 6*



*FIG. 7*



*FIG. 8*



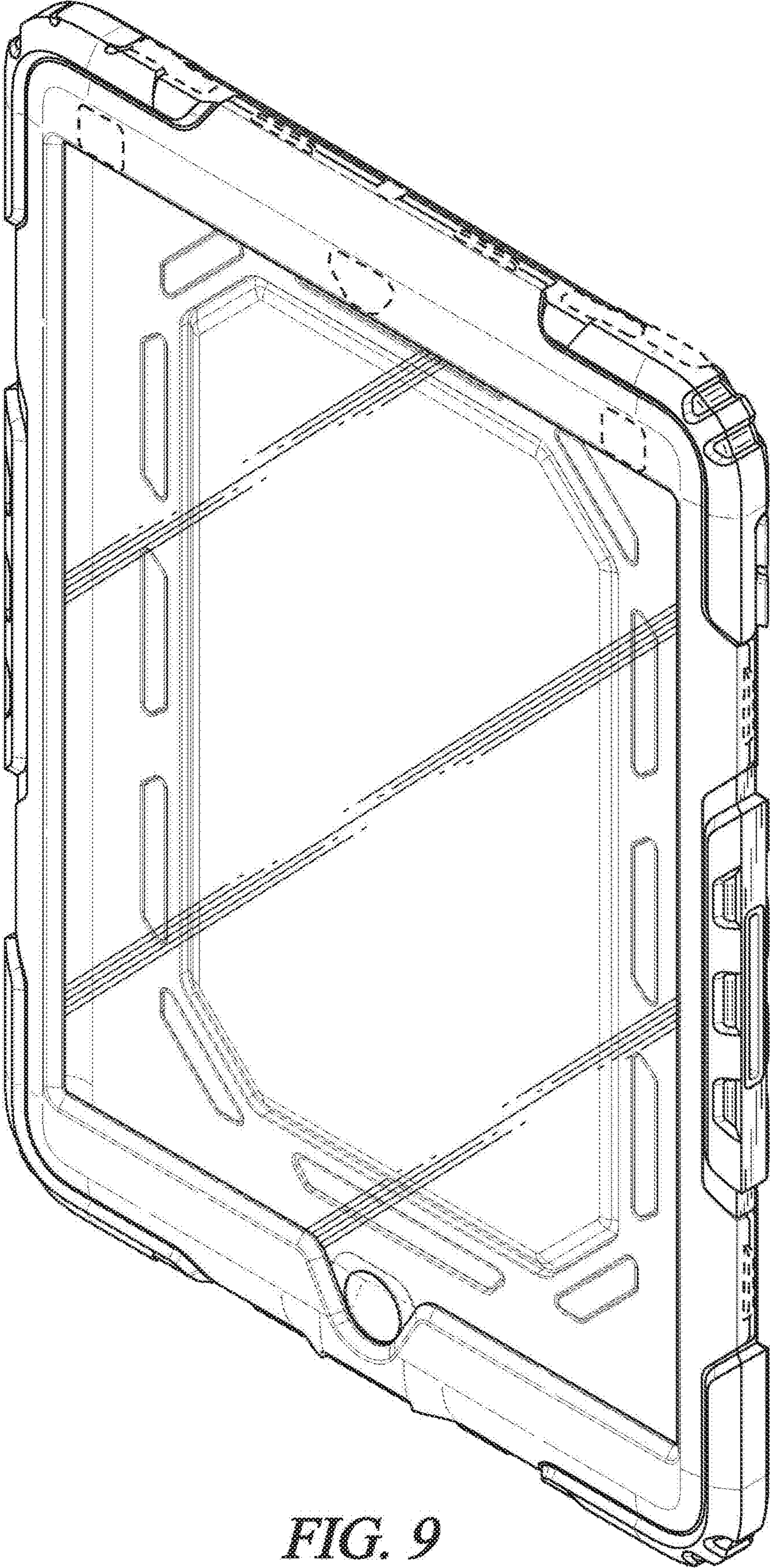
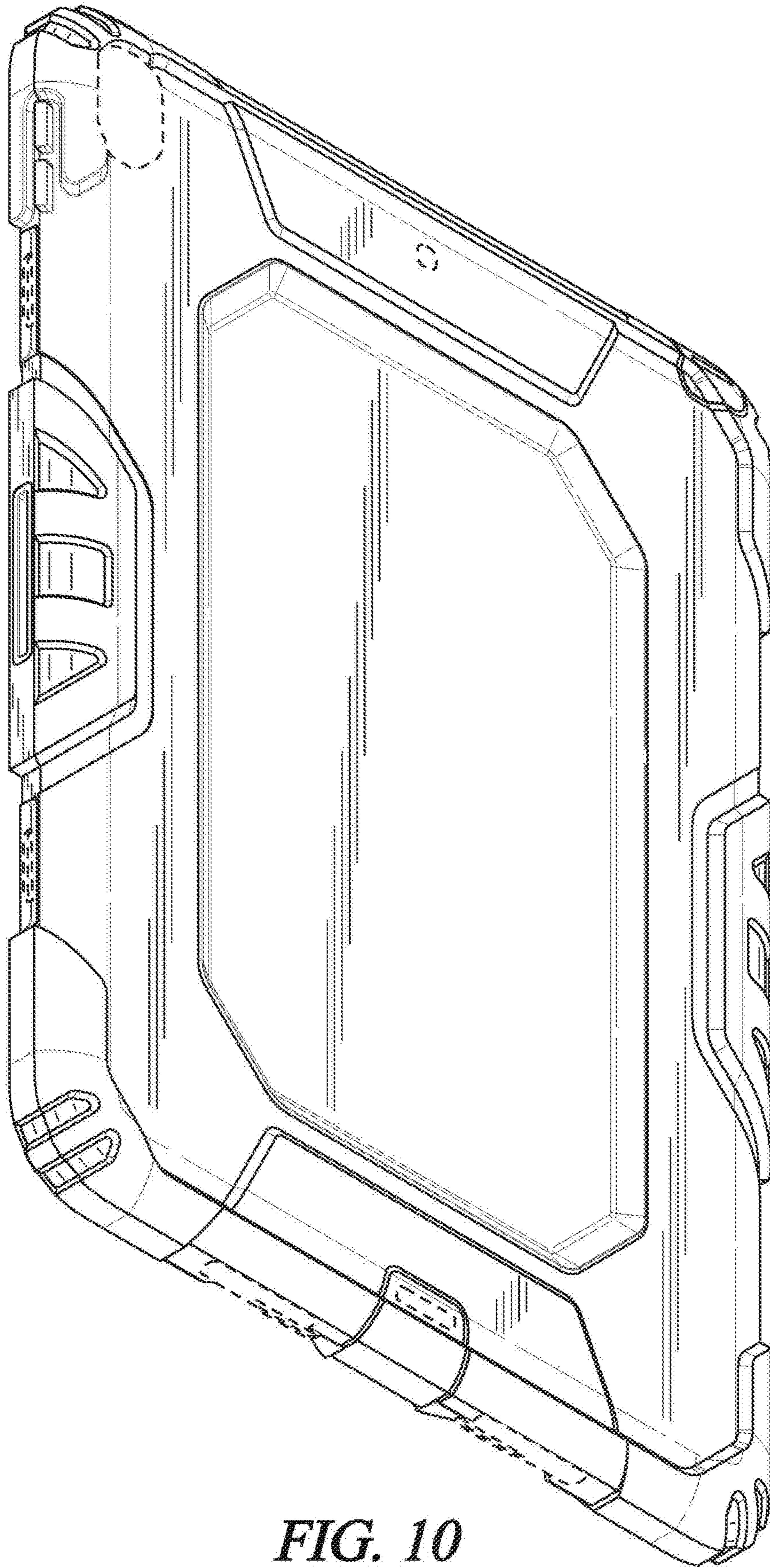
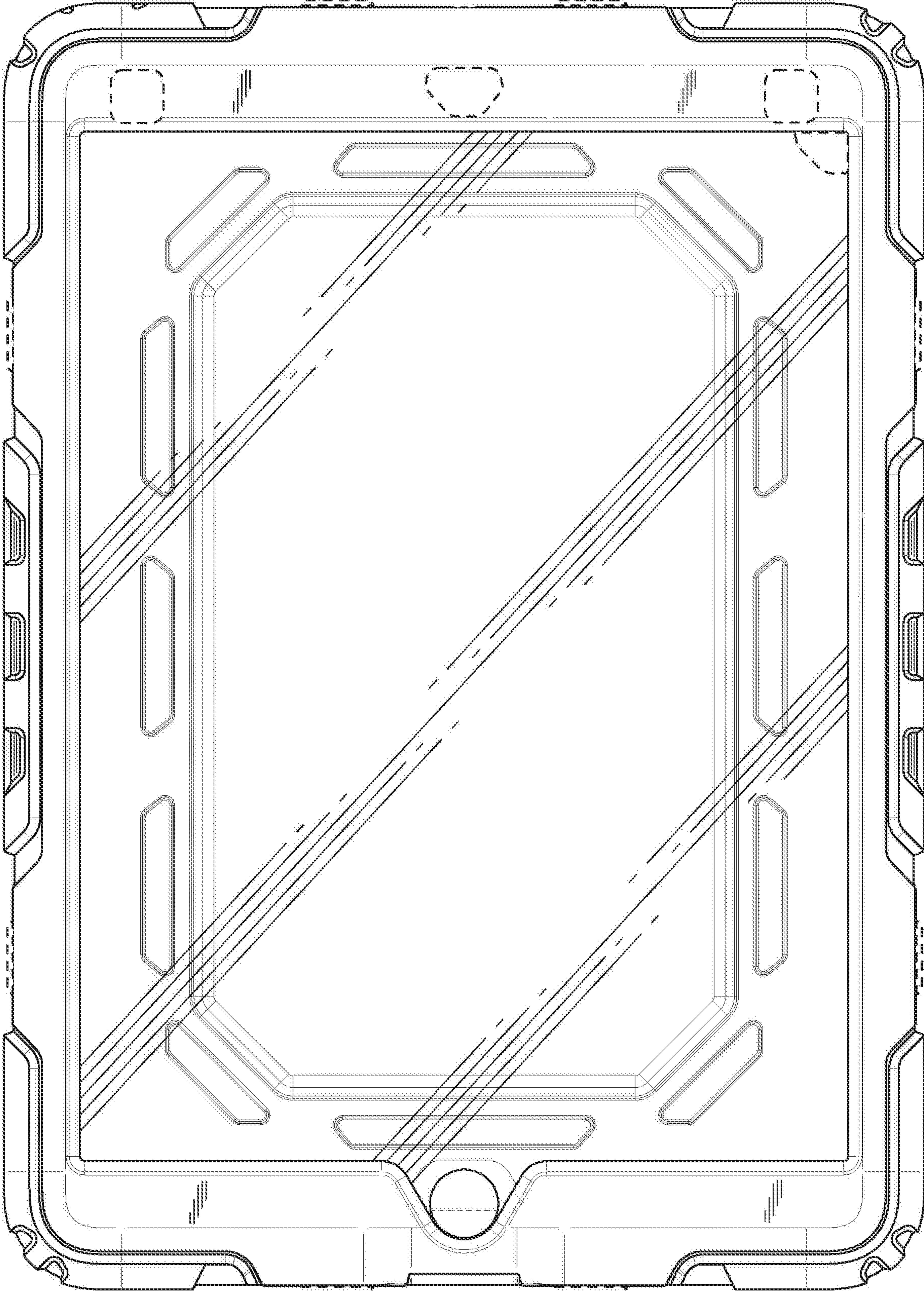


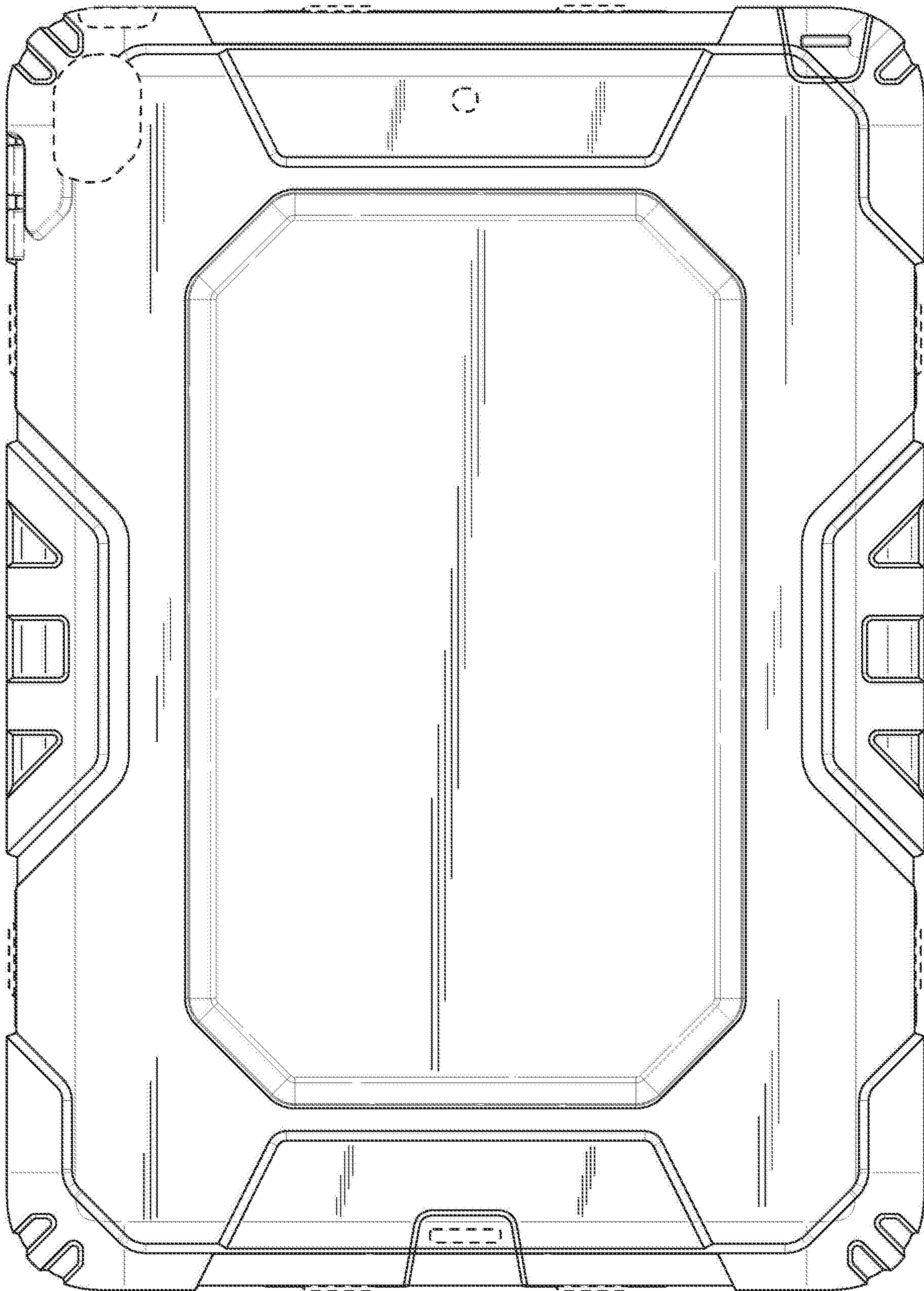
FIG. 9



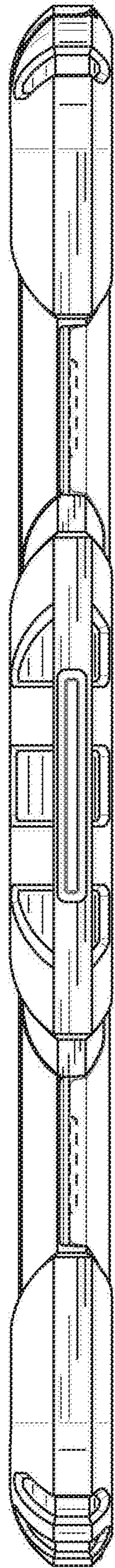
**FIG. 10**



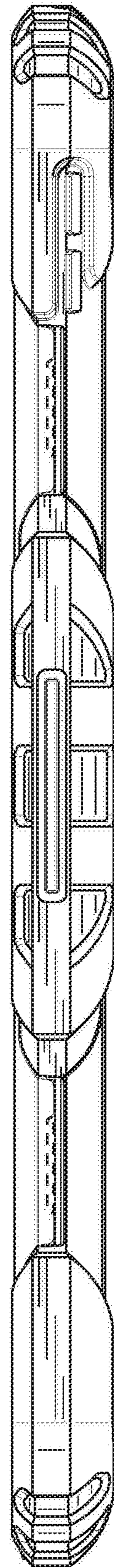
*FIG. 11*



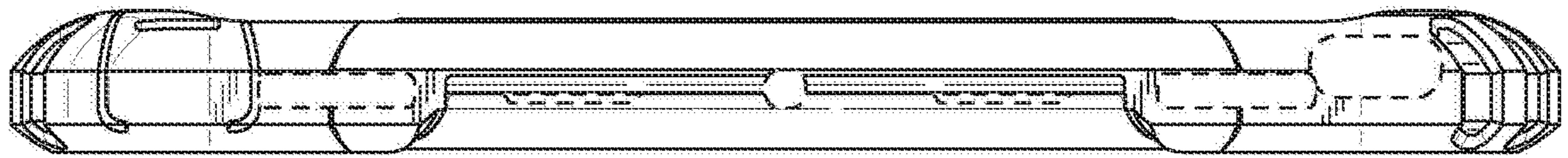
*FIG. 12*



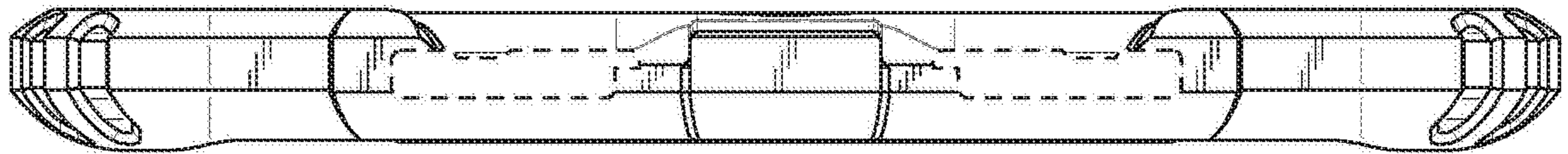
*FIG. 13*



*FIG. 14*



*FIG. 15*



*FIG. 16*