



US00D908131S

(12) **United States Design Patent** (10) **Patent No.:** **US D908,131 S**
Mclean et al. (45) **Date of Patent:** **** Jan. 19, 2021**

(54) **ACCESSORY FOR PORTABLE ELECTRONIC DEVICE**

2013/0273944 A1* 10/2013 Wilson H04M 1/026
455/457

(71) Applicant: **XPO Technologies Inc.**, Vancouver (CA)

* cited by examiner

(72) Inventors: **Andrew John Mclean**, Langley (CA);
Matthew Hunsberger, Vancouver (CA)

Primary Examiner — Cynthia R Underwood

(74) *Attorney, Agent, or Firm* — Oyen Wiggs Green & Mutala LLP

(73) Assignee: **XPO Technologies Inc.**, Vancouver (CA)

(57) **CLAIM**

The ornamental design for an accessory for portable electronic device, as shown and described.

(**) Term: **15 Years**

DESCRIPTION

(21) Appl. No.: **29/706,881**

FIG. 1 is a rear view of an accessory for portable electronic device showing the design;

(22) Filed: **Sep. 24, 2019**

FIG. 2 is a right side view thereof;

(51) **LOC (13) Cl.** **14-02**

FIG. 3 is a front view thereof;

(52) **U.S. Cl.**

FIG. 4 is a top view thereof;

USPC **D14/440**

FIG. 5 is a first perspective view thereof;

(58) **Field of Classification Search**

FIG. 6 is a second perspective view thereof;

USPC D14/440; 206/45.23, 320, 45.2;
361/679.55; 294/25; 224/218

FIG. 7 is an exploded perspective view from the rear thereof;

CPC ... G06F 1/1628; G06F 1/1626; A47B 23/044;
H04B 1/3888; H05K 5/0217

FIG. 8 is an exploded perspective view from the front thereof;

See application file for complete search history.

FIG. 9 is a bottom view thereof, said view being at a larger scale than the remaining views to more clearly show the features visible therein;

(56) **References Cited**

FIG. 10 is a left side view thereof; and,

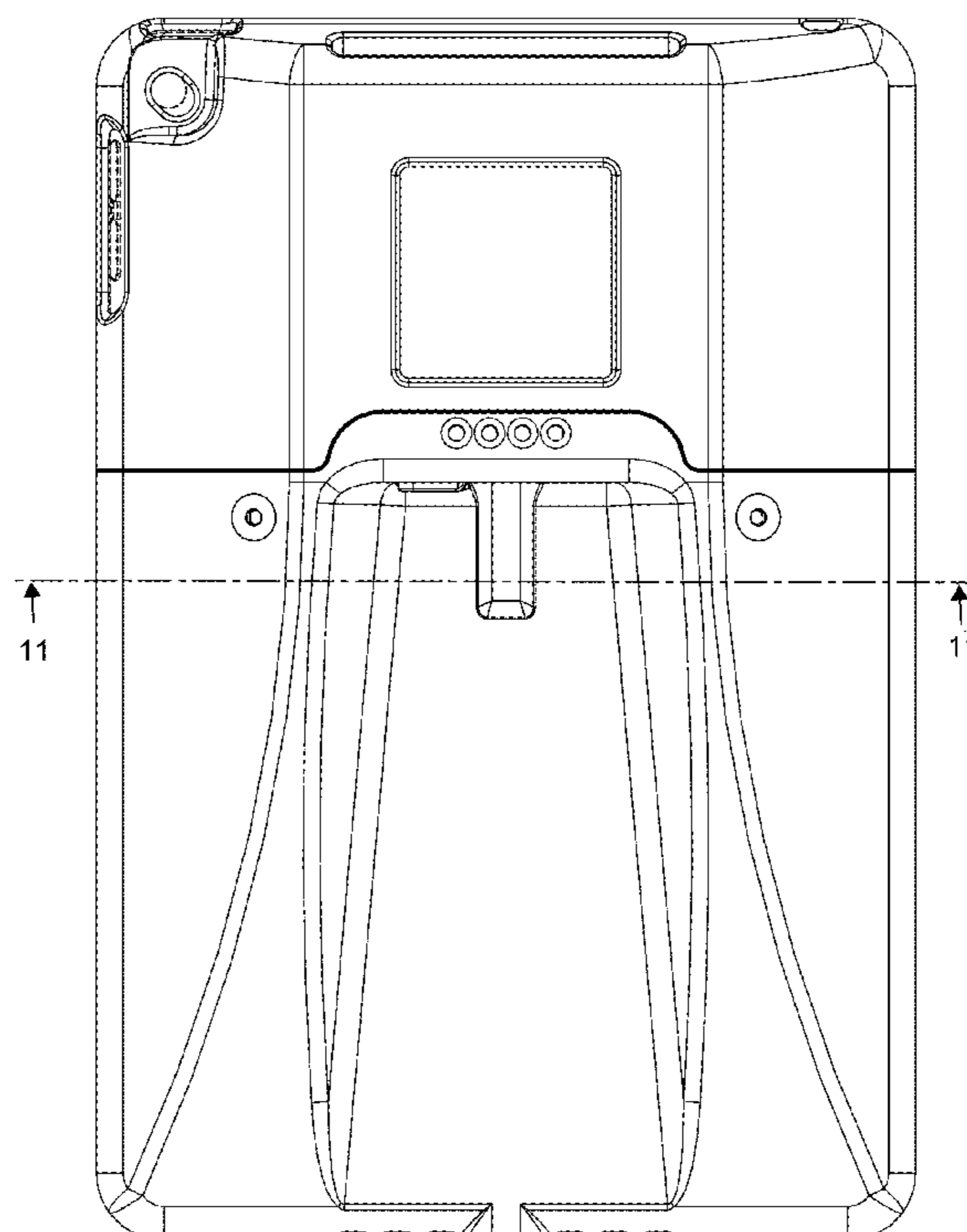
U.S. PATENT DOCUMENTS

FIG. 11 is a cross-sectional view taken along line 11-11 in FIG. 1.

| | | | | |
|--------------|---------|-------------|-------|---------|
| D824,911 S * | 8/2018 | London | | D14/440 |
| D853,402 S * | 7/2019 | Yang | | D14/440 |
| D868,789 S * | 12/2019 | Weng | | D14/440 |
| D881,894 S * | 4/2020 | Zhang | | D14/440 |
| D892,804 S * | 8/2020 | Lin | | D14/440 |
| D894,193 S * | 8/2020 | Oberpriller | | D14/440 |

The broken lines represent environment that forms no part of the claim. The broken lines in FIG. 1 indicate the line upon which the FIG. 11 section cut was taken and also forms no part of the claim.

1 Claim, 11 Drawing Sheets



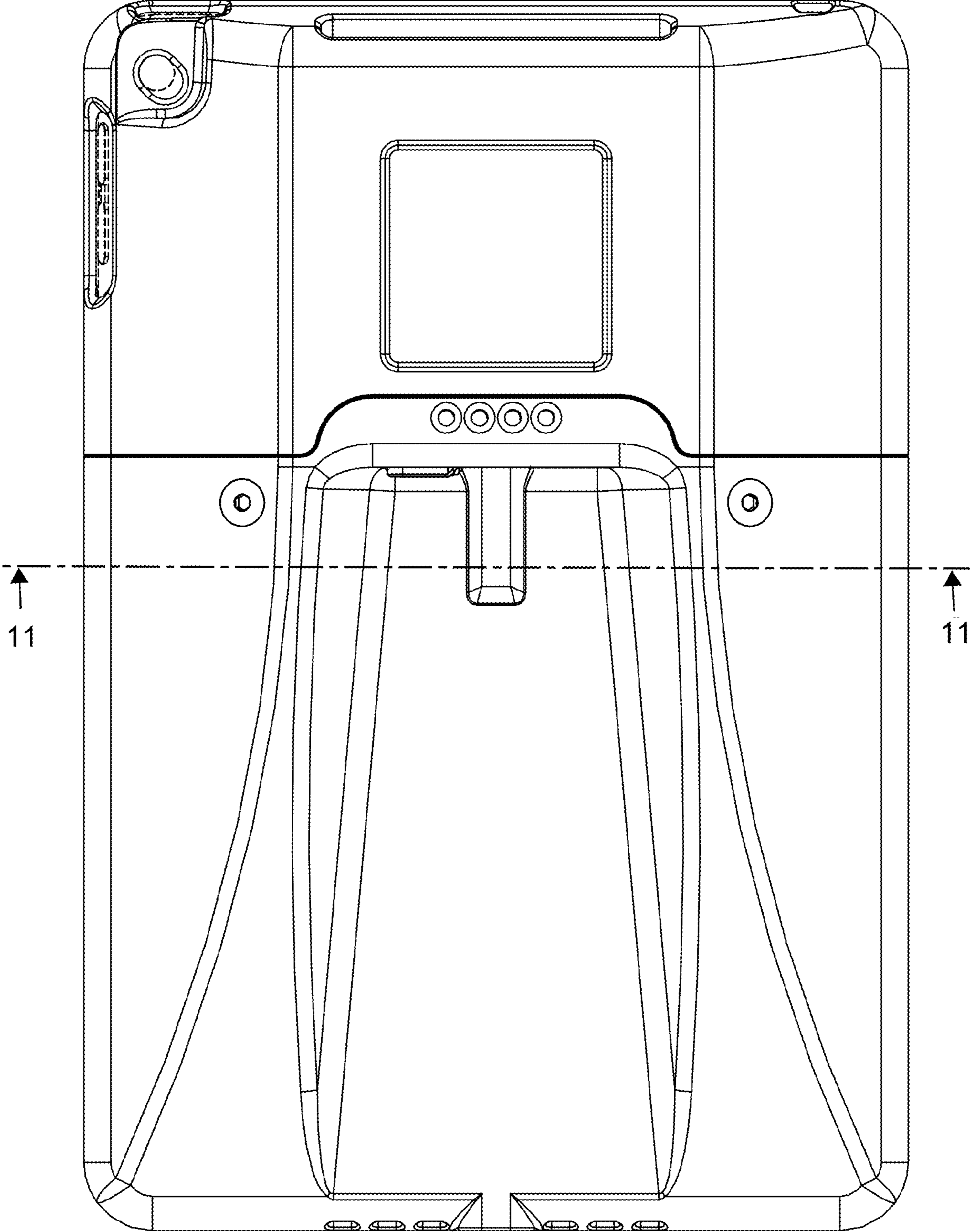


FIG. 1

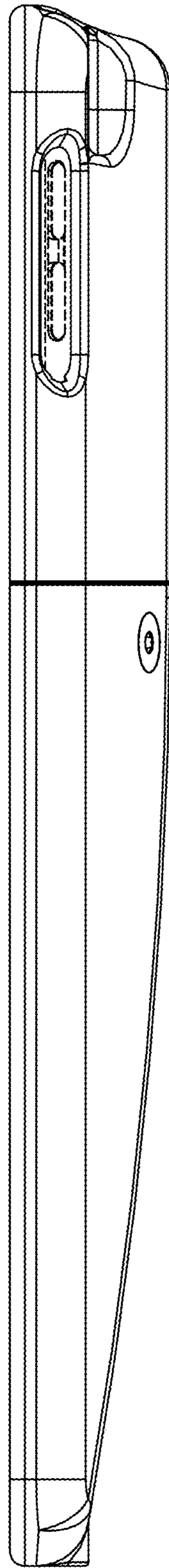


FIG. 2

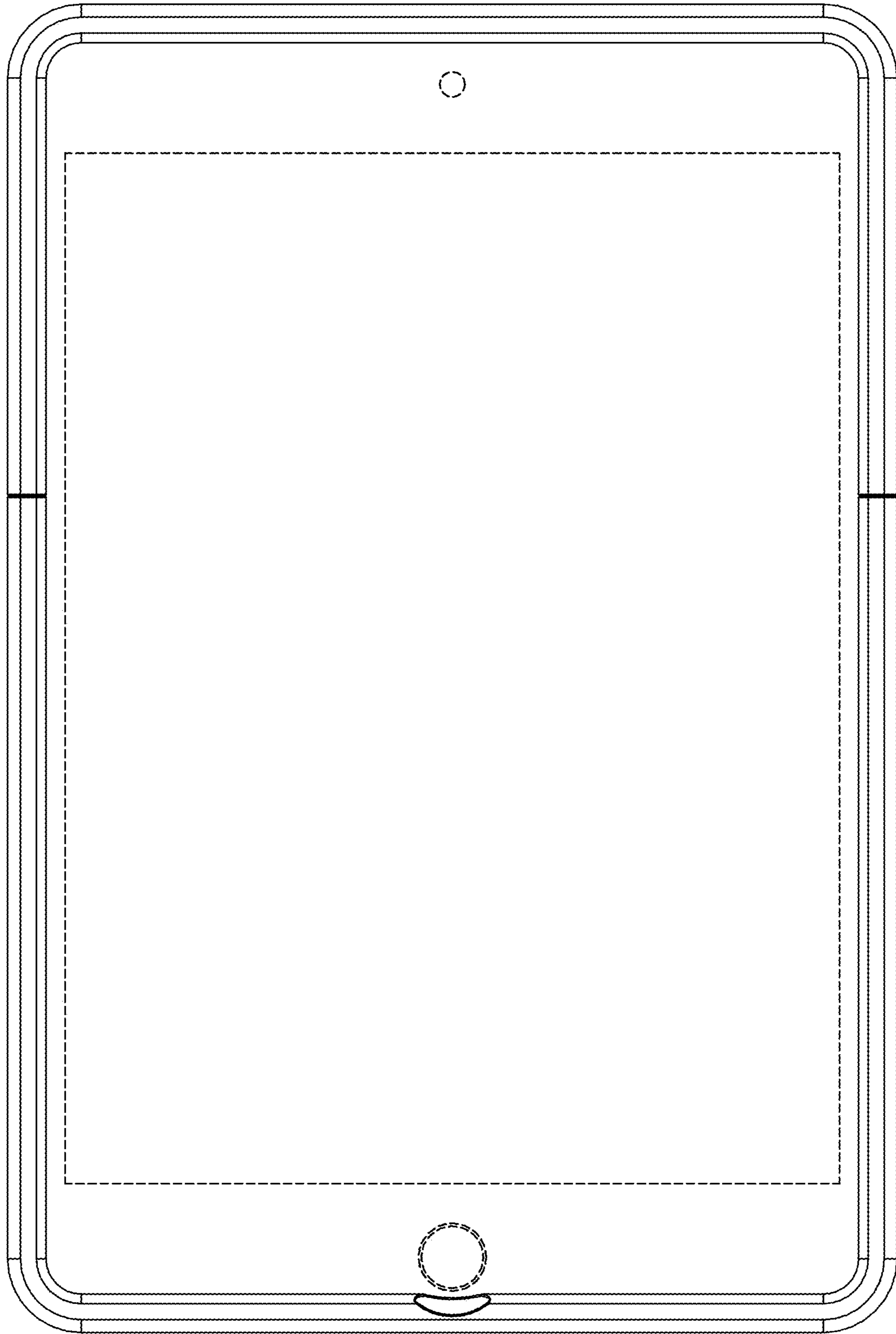


FIG. 3

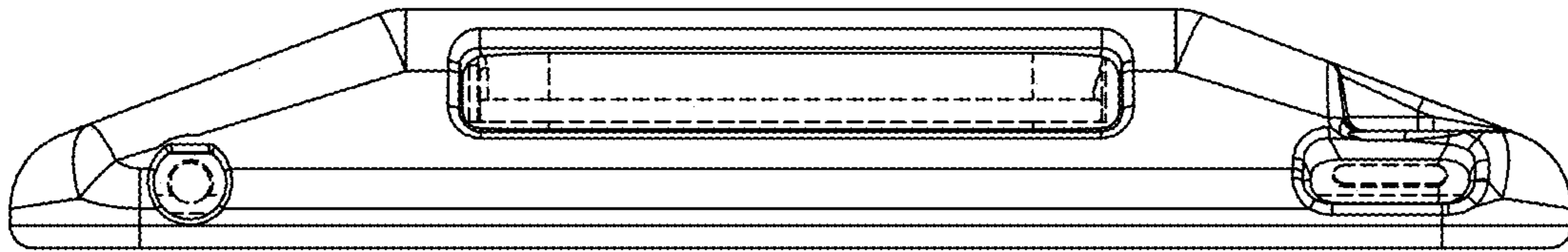


FIG. 4

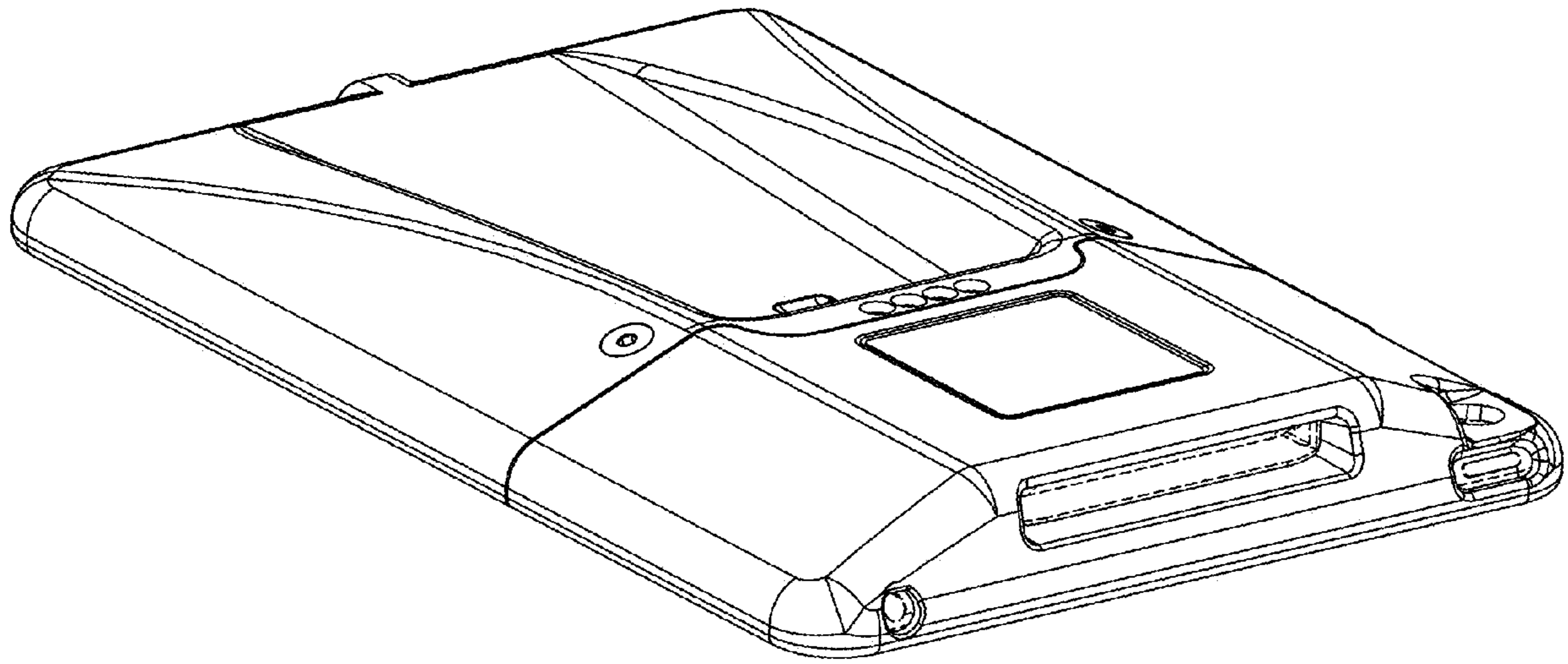


FIG. 5

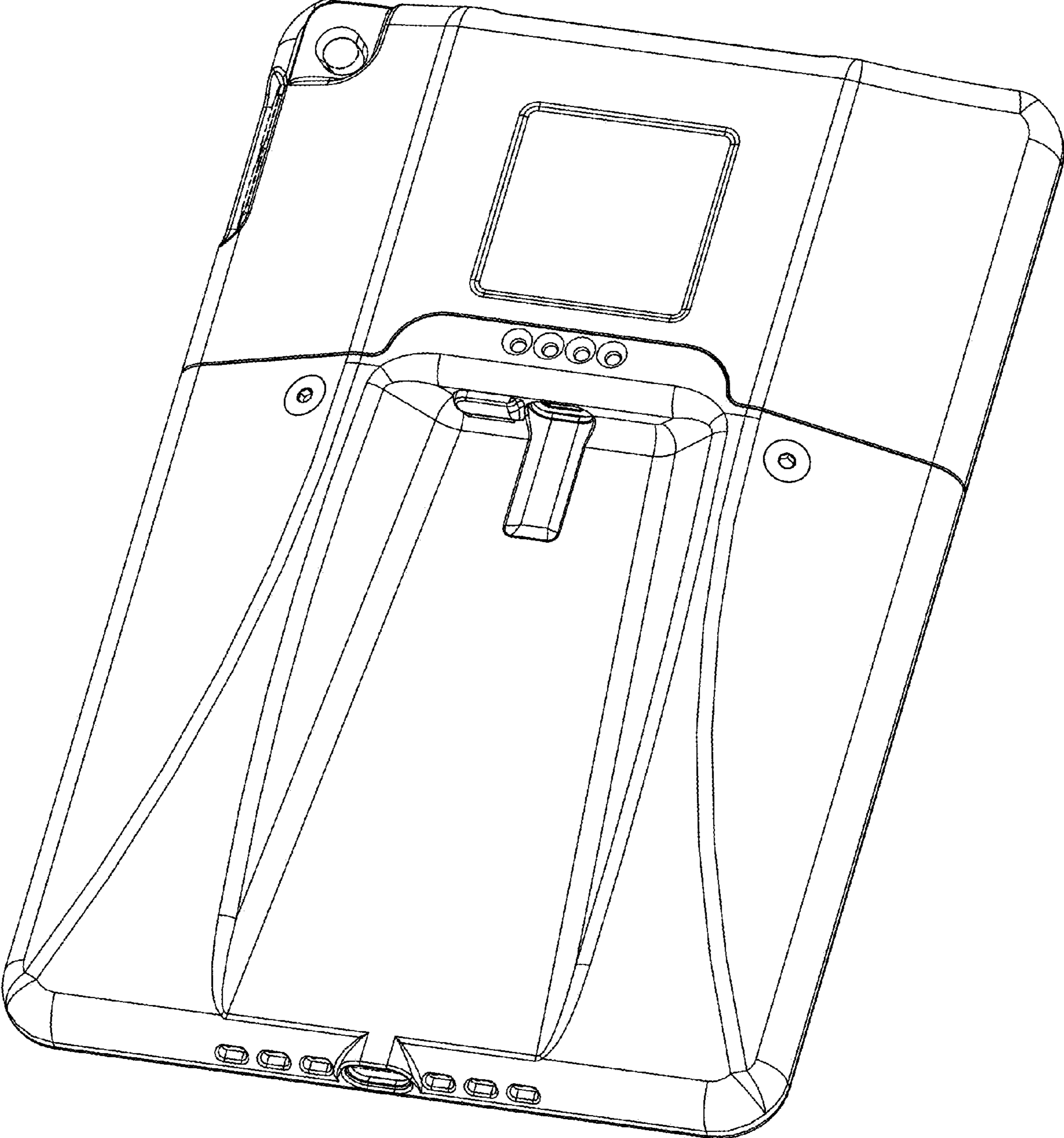


FIG. 6

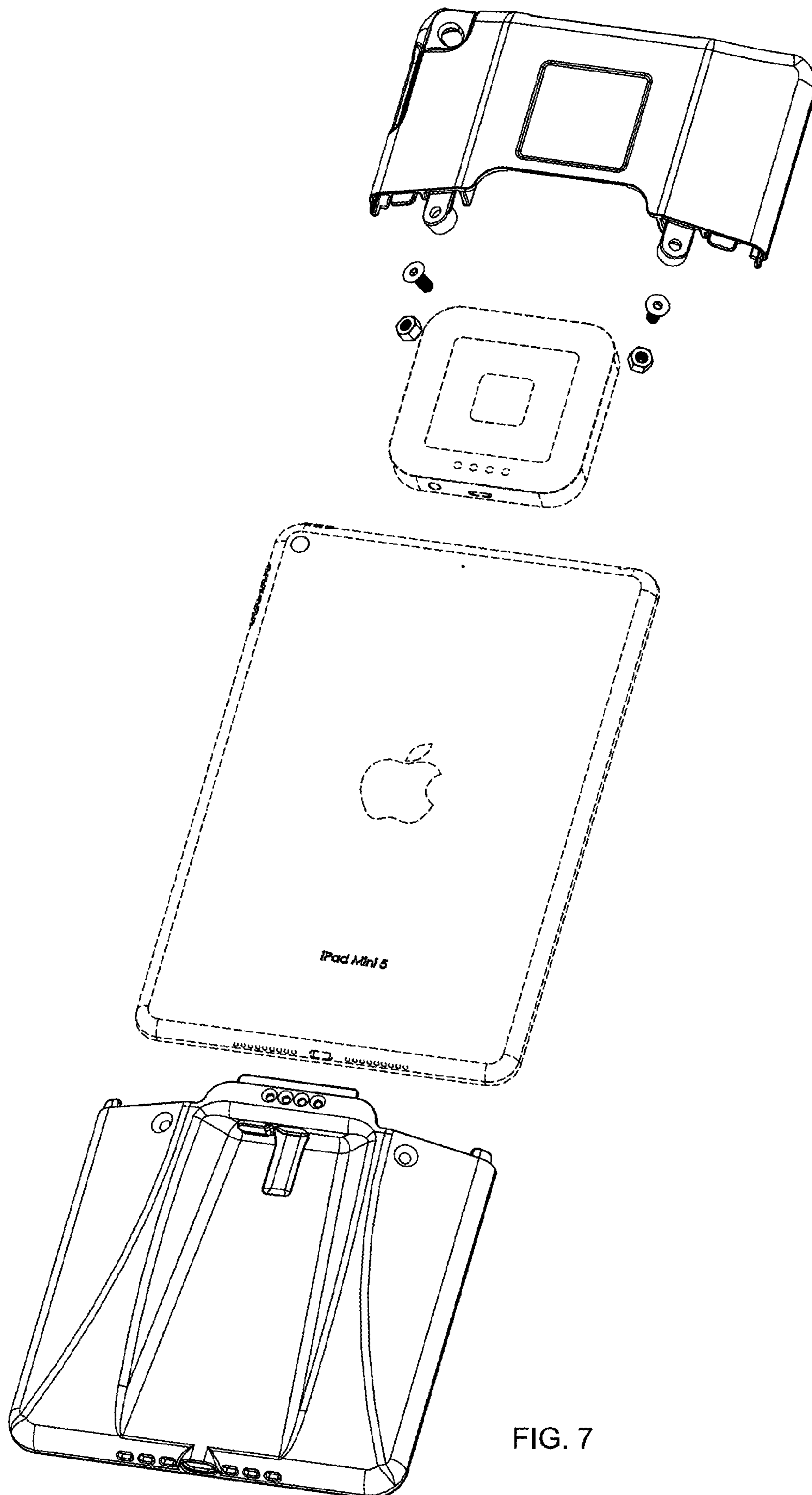


FIG. 7

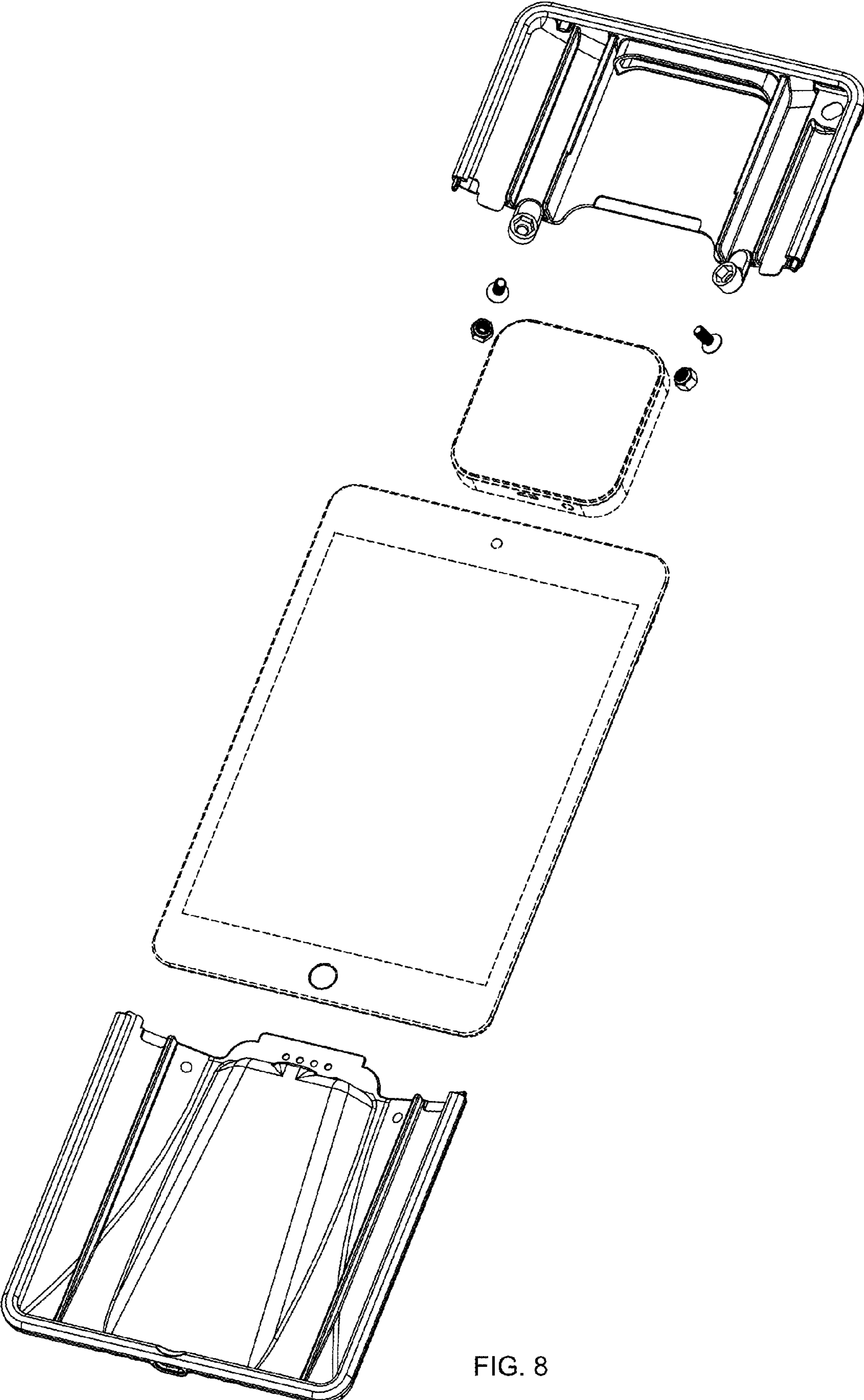


FIG. 8

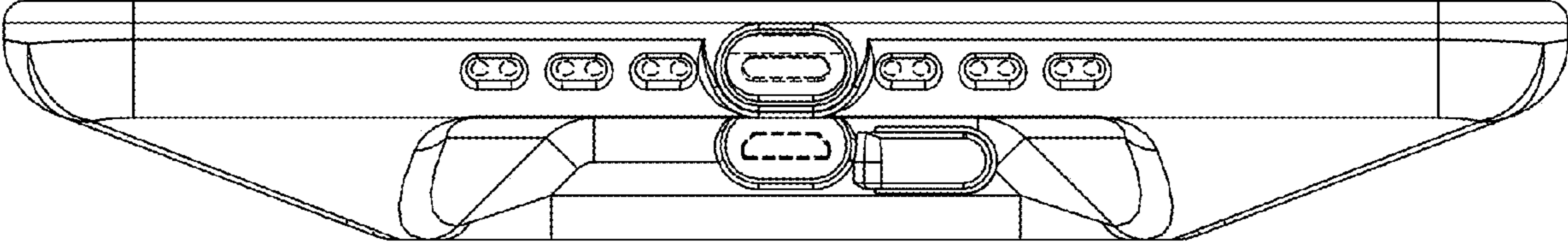


FIG. 9

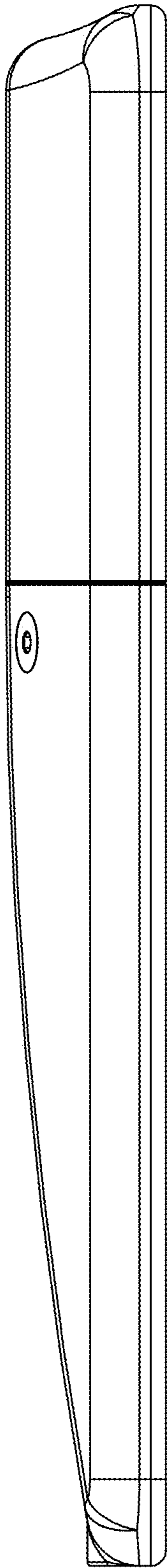


FIG. 10

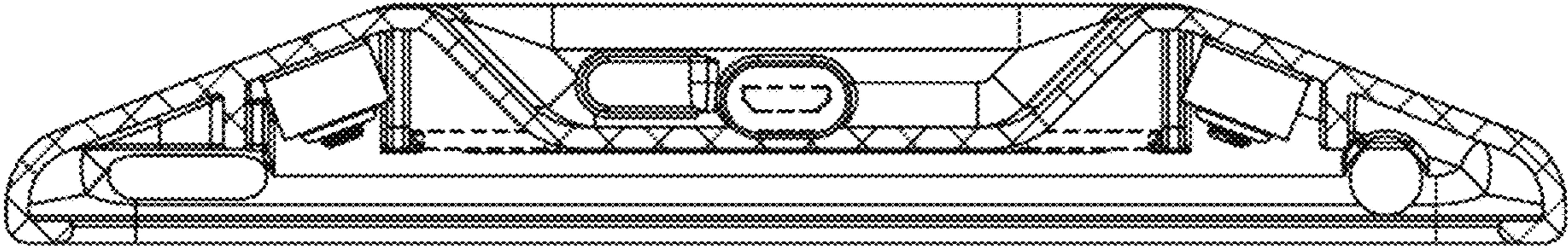


FIG. 11