



US00D908128S

(12) **United States Design Patent**  
**Nyholm et al.**

(10) **Patent No.:** **US D908,128 S**

(45) **Date of Patent:** **\*\* Jan. 19, 2021**

(54) **TABLET COMPUTER CASE**  
(71) Applicant: **STM Management Pty Ltd,**  
Alexandria (AU)  
(72) Inventors: **Ethan Nyholm,** North Bondi (AU);  
**Cambell Smyth,** Highgate Hill (AU)

(73) Assignee: **STM Management Pty Ltd.,**  
Alexandria (AU)

(\*\*) Term: **15 Years**

(21) Appl. No.: **29/683,970**

(22) Filed: **Mar. 18, 2019**

(30) **Foreign Application Priority Data**

Dec. 13, 2018 (AU) ..... AU201817528

(51) **LOC (13) Cl.** ..... **14-02**

(52) **U.S. Cl.**  
USPC ..... **D14/440**

(58) **Field of Classification Search**  
USPC ..... D14/440, 447, 250; 206/45.23, 320,  
206/45.2; 361/679.55; 294/25; 224/218;  
455/575.8  
CPC ... G06F 1/1628; G06F 1/1626; A47B 23/044;  
H04B 1/3888; A45C 11/00  
See application file for complete search history.

(56) **References Cited**

**U.S. PATENT DOCUMENTS**

7,843,395 B2 \* 11/2010 Chen ..... G06F 1/1626  
343/702  
8,415,572 B2 \* 4/2013 Yang ..... G06F 3/03545  
178/19.01  
8,817,466 B2 \* 8/2014 Xie ..... G06F 1/1626  
361/679.55  
9,149,100 B2 \* 10/2015 Marshall ..... G06F 1/1667

D757,731 S \* 5/2016 Nguyen ..... D14/440  
9,327,544 B2 \* 5/2016 Ceruzzi ..... F16B 11/006  
9,335,791 B2 \* 5/2016 Fontana ..... G06F 1/1632  
9,354,724 B2 \* 5/2016 Huguenard ..... G06F 3/03545  
9,395,753 B2 \* 7/2016 Amano ..... B65D 25/005  
D764,474 S \* 8/2016 Penn ..... D14/440  
D764,475 S \* 8/2016 Penn ..... D14/440  
D775,132 S \* 12/2016 Smith ..... D14/440

(Continued)

*Primary Examiner* — Cynthia R Underwood  
(74) *Attorney, Agent, or Firm* — Christensen, Fonder,  
Dardi & Herbert PLLC

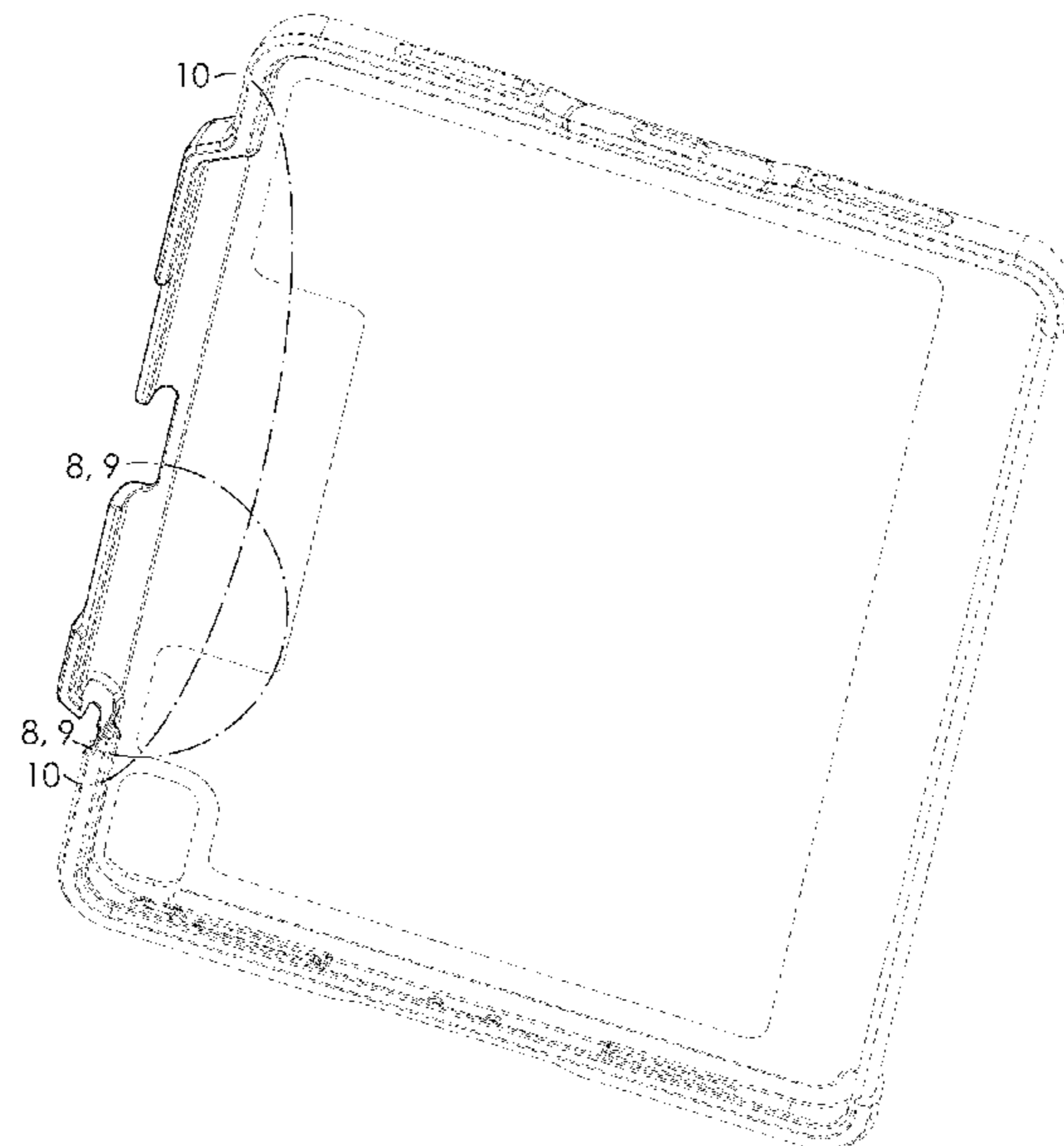
(57) **CLAIM**

We claim the ornamental design for a tablet computer case,  
as shown and described.

**DESCRIPTION**

FIG. 1 is a front perspective view of a tablet computer case,  
according to the invention;  
FIG. 2 is a front view of the tablet computer case of FIG. 1;  
FIG. 3 is a top view of the tablet computer case of FIG. 1;  
FIG. 4 is a bottom view of the tablet computer case of FIG.  
1;  
FIG. 5 is a left side view of the tablet computer case of FIG.  
1;  
FIG. 6 is a right side view of the tablet computer case  
of FIG. 1;  
FIG. 7 is a rear view of the tablet computer case of FIG. 1;  
FIG. 8 is an enlarged front perspective detail of FIG. 1 taken  
at line 8-8;  
FIG. 9 is an enlarged front perspective detail of FIG. 1 taken  
at line 9-9; and,  
FIG. 10 is an enlarged detail view of FIG. 1 taken at line  
10-10.  
The figures include broken lines that are directed to envi-  
ronment and are for illustrative purposes only; the broken  
lines form no part of the claimed design.

**1 Claim, 7 Drawing Sheets**



(56)

**References Cited**

U.S. PATENT DOCUMENTS

D812,621 S \* 3/2018 Nyholm ..... D14/440  
10,110,269 B2 \* 10/2018 Nyholm ..... A45C 11/00  
D872,094 S \* 1/2020 Wright ..... D14/440

\* cited by examiner

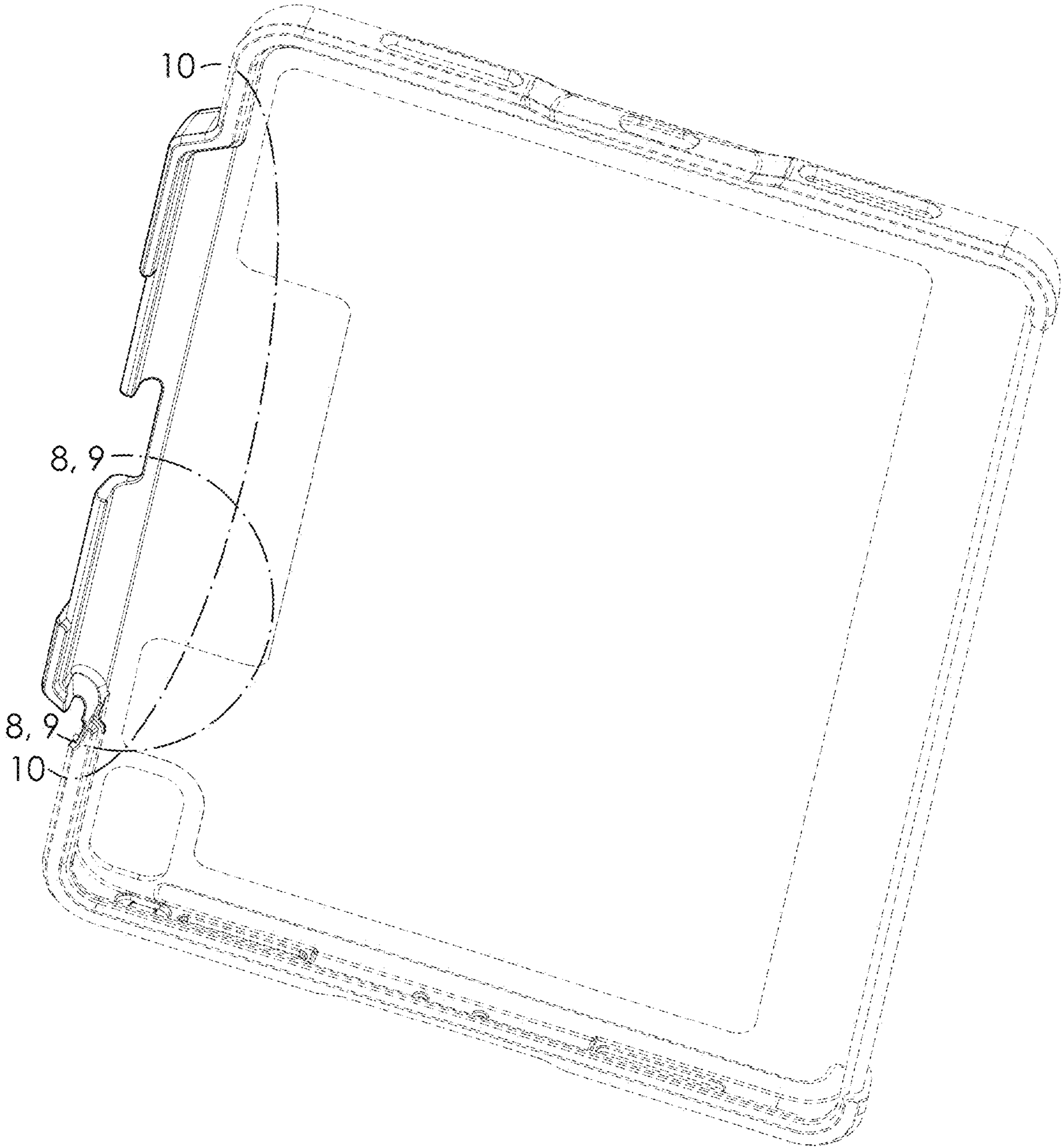


Fig. 1

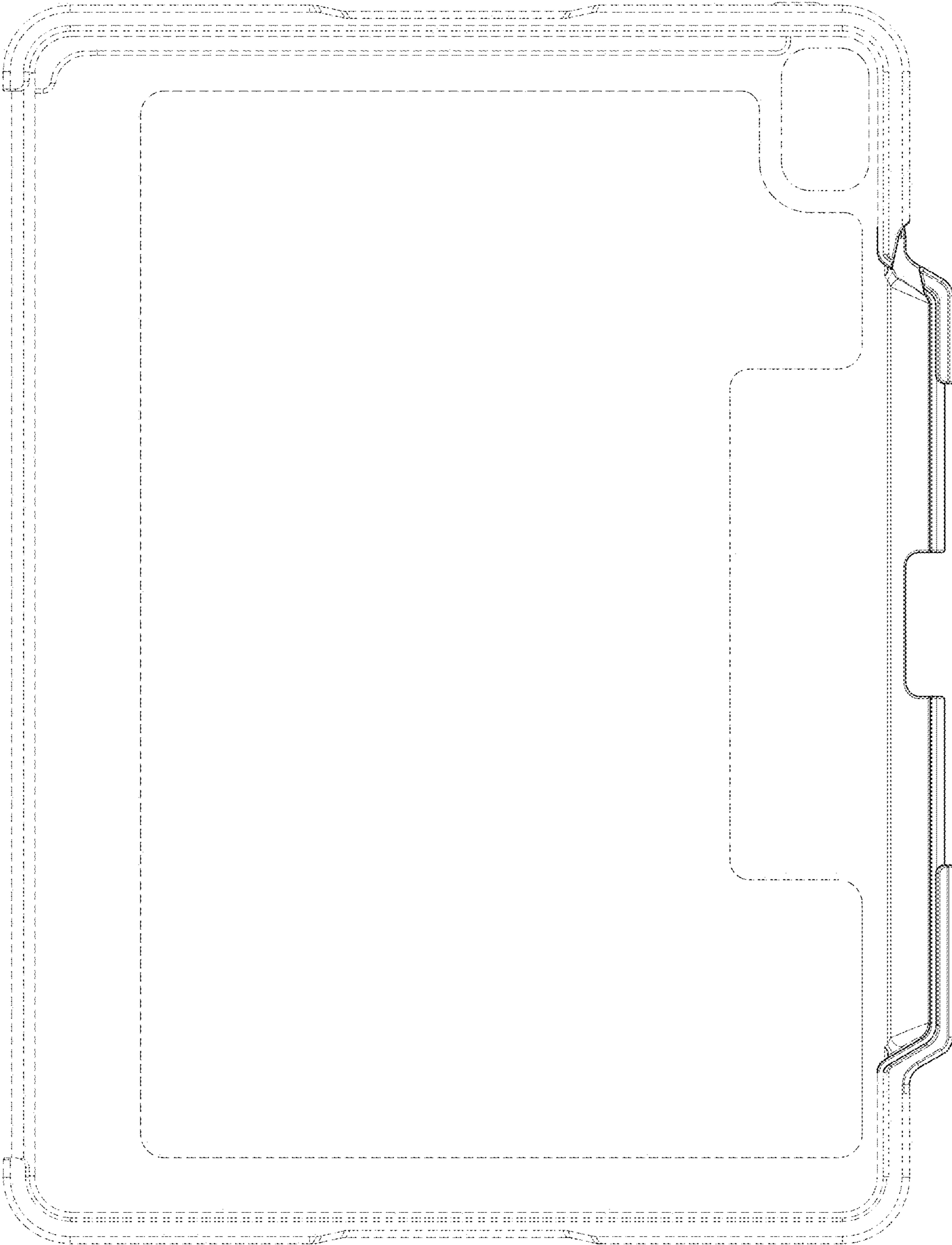


Fig. 2

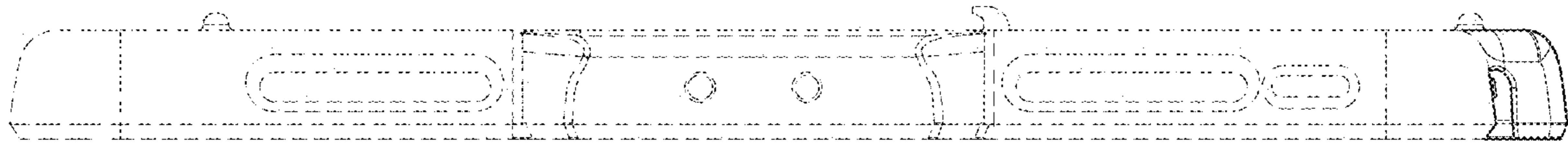


Fig. 3

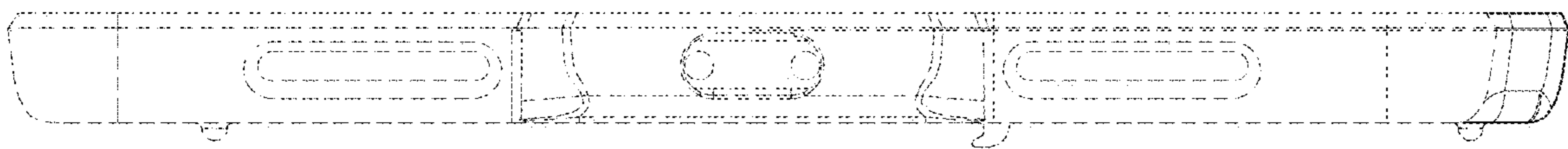


Fig. 4

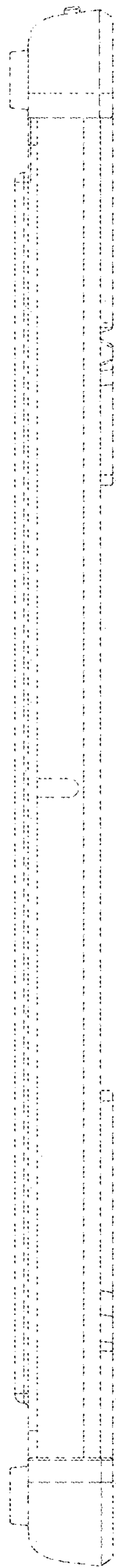


Fig. 5

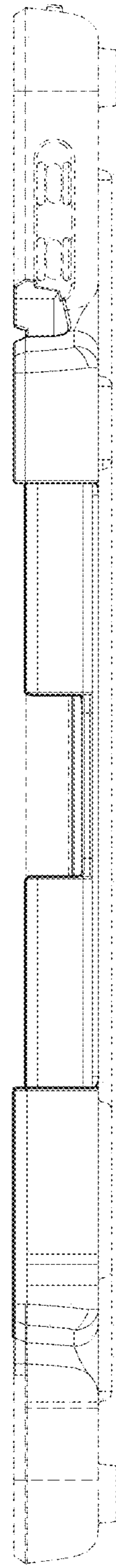


Fig. 6

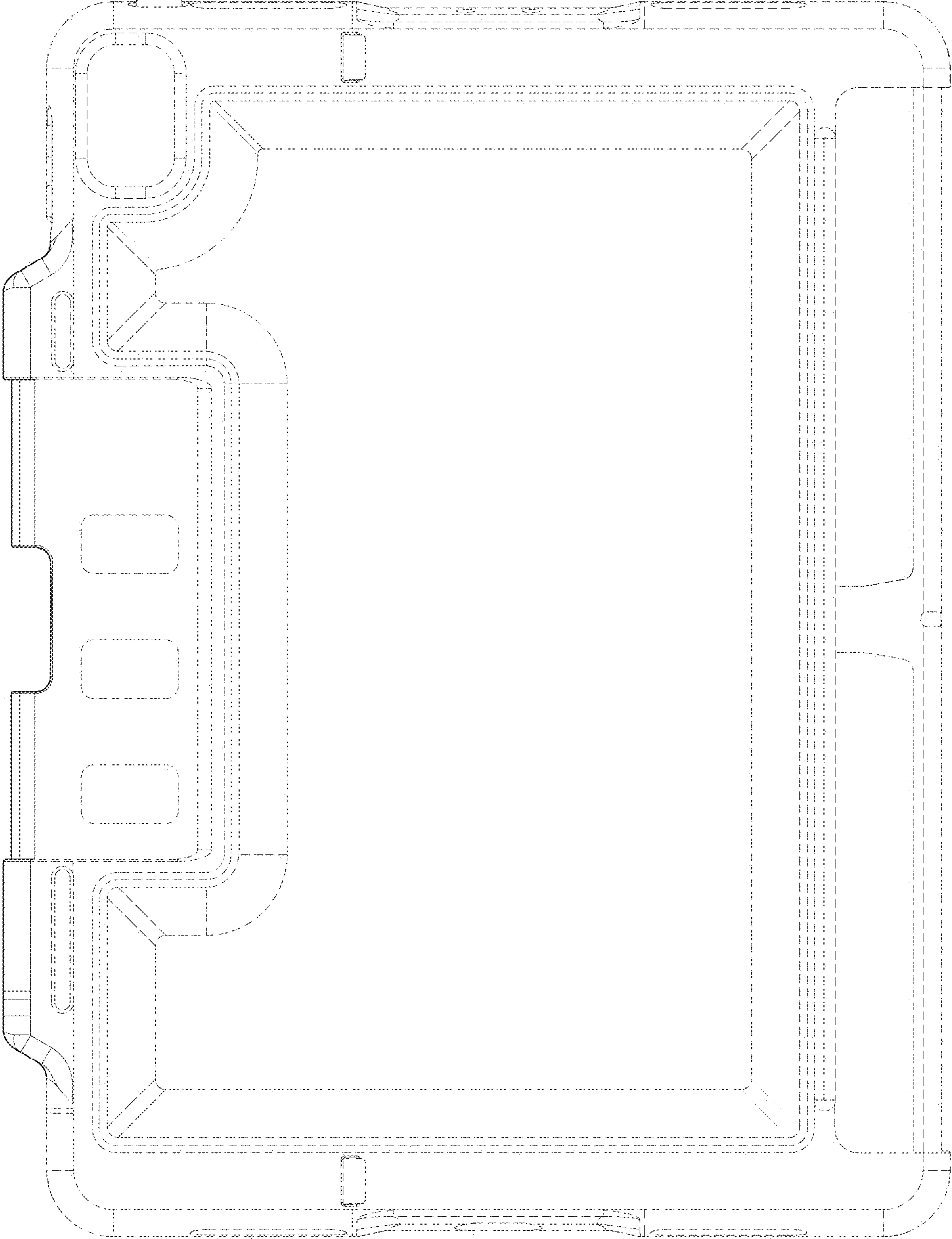


Fig. 7

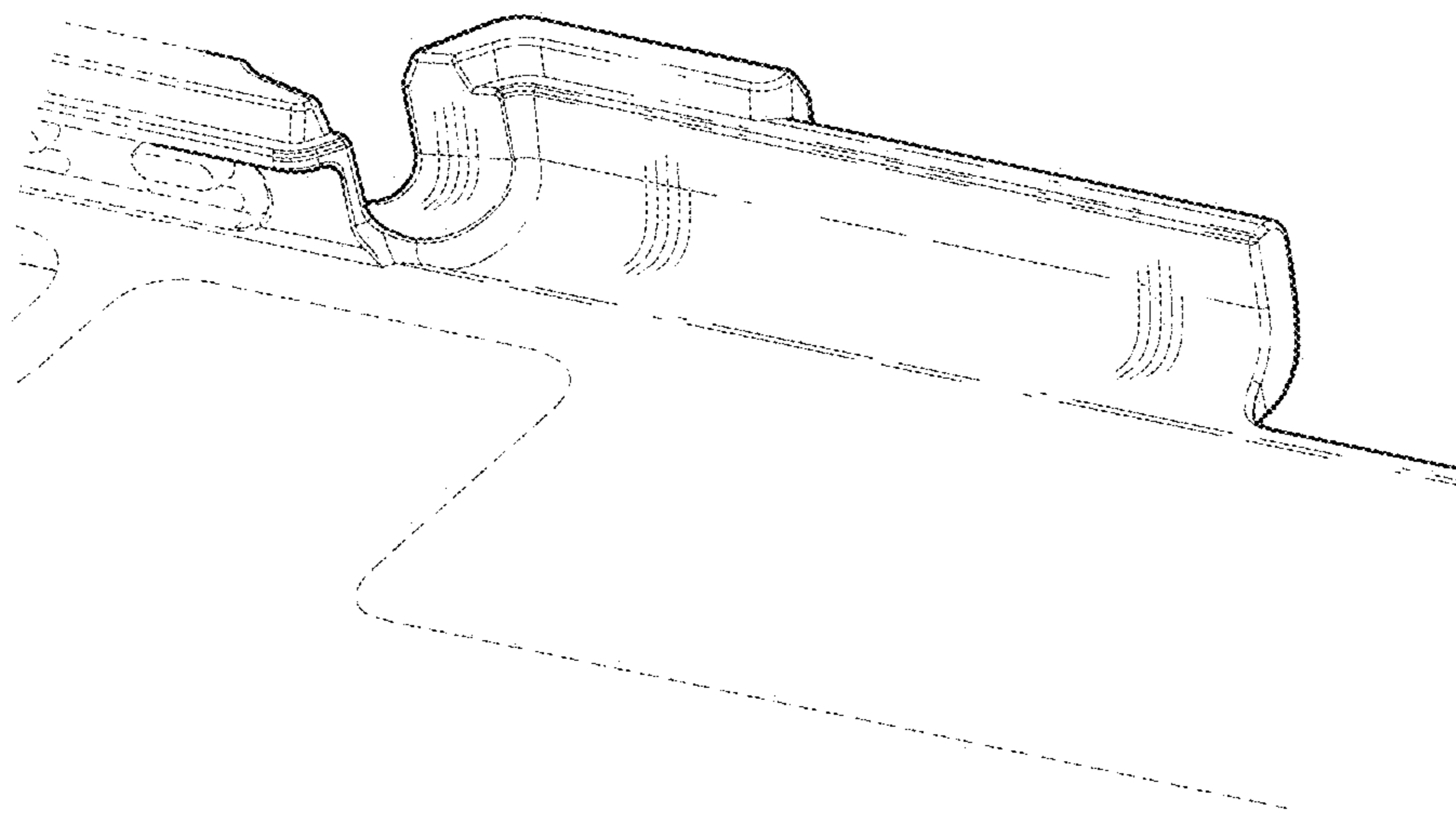


Fig. 8

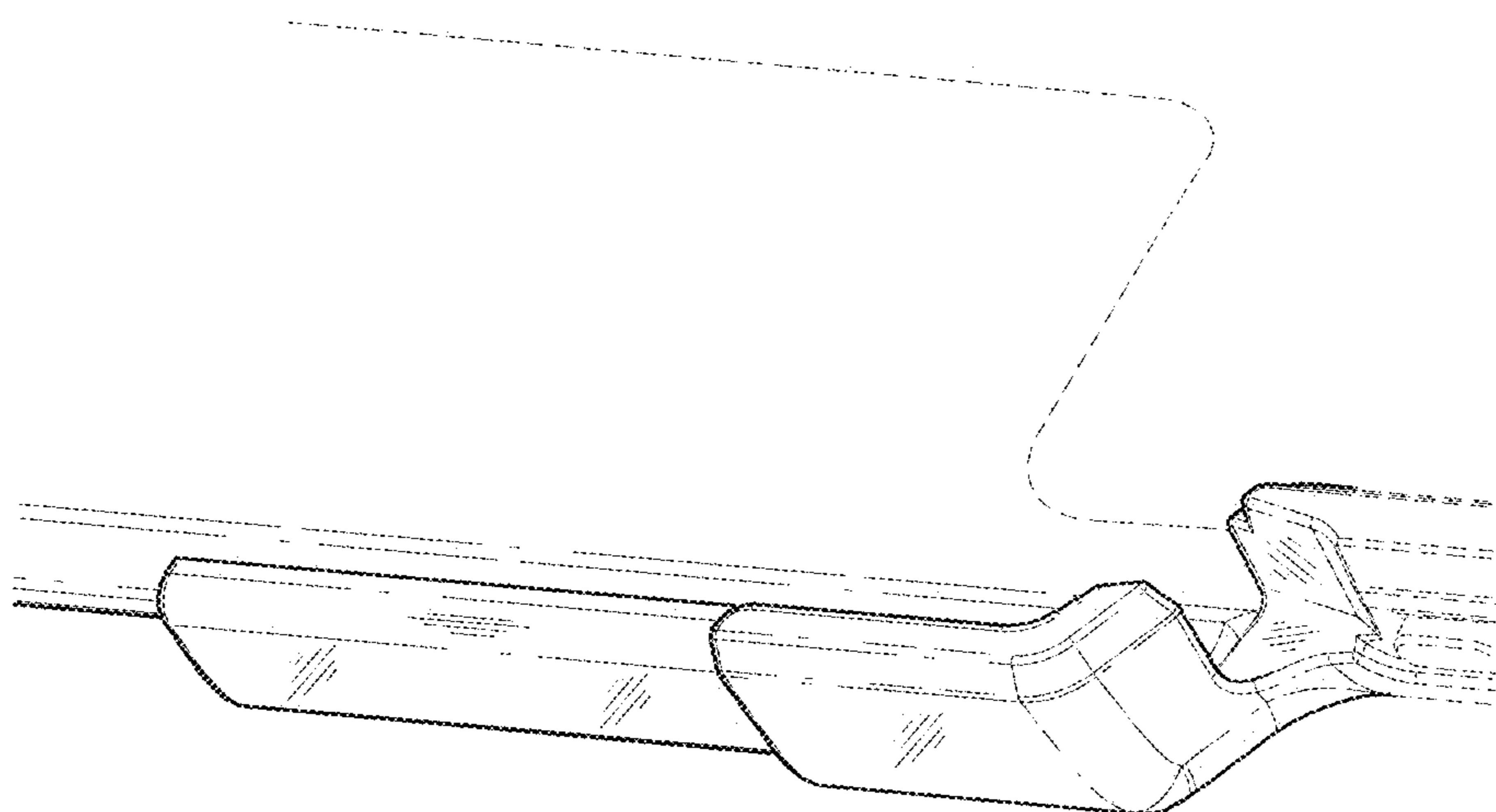


Fig. 9



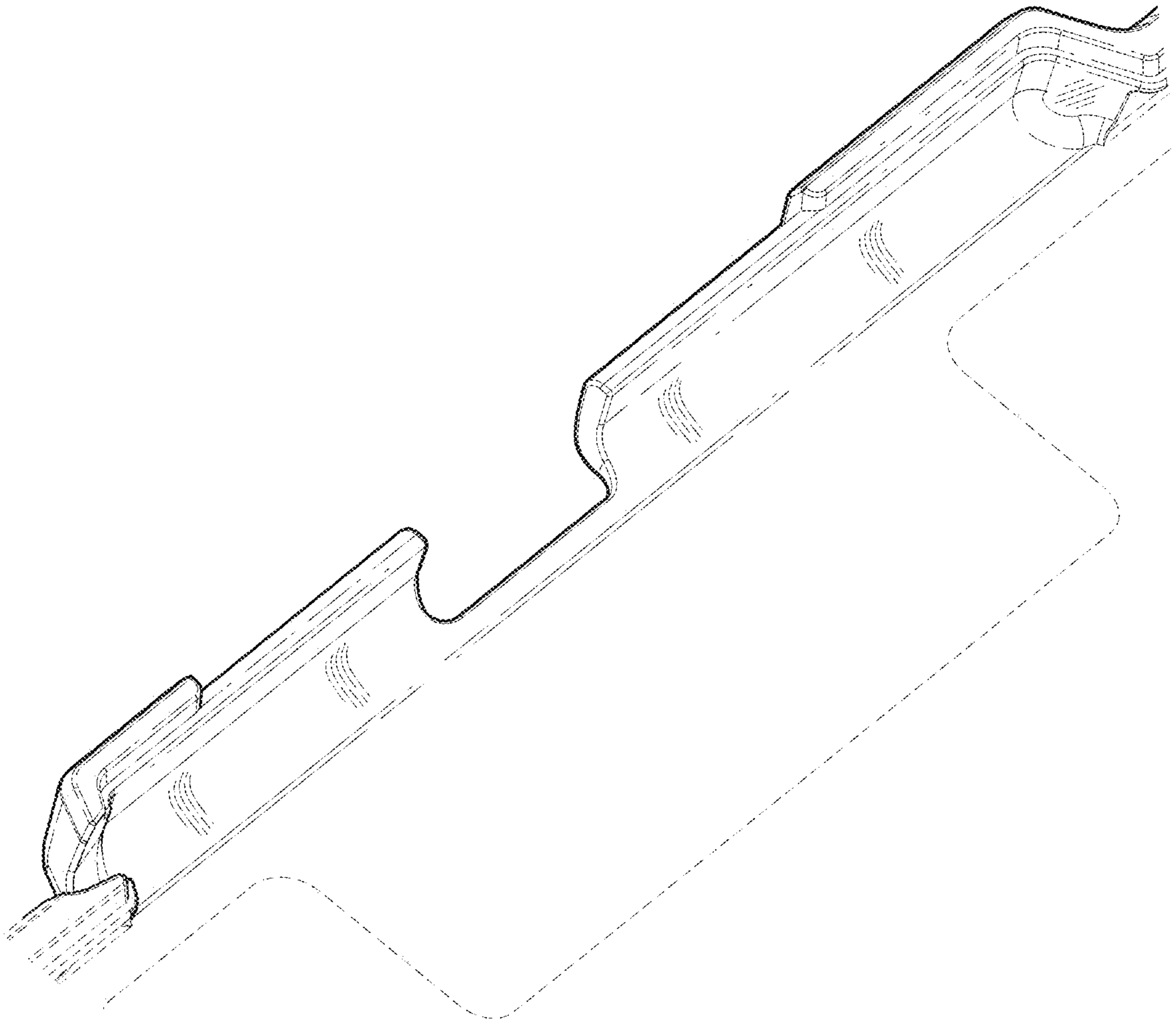


Fig. 10