



US00D908126S

(12) **United States Design Patent**
Chen

(10) **Patent No.:** **US D908,126 S**

(45) **Date of Patent:** **** Jan. 19, 2021**

(54) **USB HUB**

(71) Applicant: **Haihui Chen**, Shenzhen (CN)

(72) Inventor: **Haihui Chen**, Shenzhen (CN)

(**) Term: **15 Years**

(21) Appl. No.: **29/697,210**

(22) Filed: **Jul. 5, 2019**

(51) **LOC (13) Cl.** **14-99**

(52) **U.S. Cl.**
USPC **D14/433**

(58) **Field of Classification Search**
USPC D14/433, 434, 435.1, 480.1-480.7, 436,
D14/484.1, 155, 203.1-203.8, 240, 242,
D14/133, 154; D13/107, 108
CPC G06F 13/122; G06F 13/382; G06F 13/385;
G06F 13/4022; G06F 13/4282; G06F
1/1632; G06F 1/1684; H01R 25/006;
H05K 5/0278; G06K 19/07732

See application file for complete search history.

(56) **References Cited**

U.S. PATENT DOCUMENTS

D689,858 S *	9/2013	Lo	D14/357
D786,885 S *	5/2017	Eliyahu	D14/480.1
D788,112 S *	5/2017	Liao	D14/433
9,900,420 B2 *	2/2018	DeCamp	G06F 1/266
9,904,323 B2 *	2/2018	DeCamp	H04B 1/3827
D844,008 S *	3/2019	Yamazaki	D14/434
D855,054 S *	7/2019	Turksu	D14/433

D856,278 S *	8/2019	Turksu	D13/108
D862,385 S *	10/2019	Turksu	D13/108
D883,288 S *	5/2020	Zhan	D14/433
D883,293 S *	5/2020	Zhang	D14/433
D886,826 S *	6/2020	Zhan	D14/433
D887,414 S *	6/2020	Jiang	D14/434
D888,061 S *	6/2020	Jiang	D14/434
D891,432 S *	7/2020	Lin	D14/433

FOREIGN PATENT DOCUMENTS

CN	305751122	*	5/2020
CN	305989505	*	8/2020

* cited by examiner

Primary Examiner — Angela J Lee
Assistant Examiner — Rebekah A Caruso
(74) *Attorney, Agent, or Firm* — W&K IP

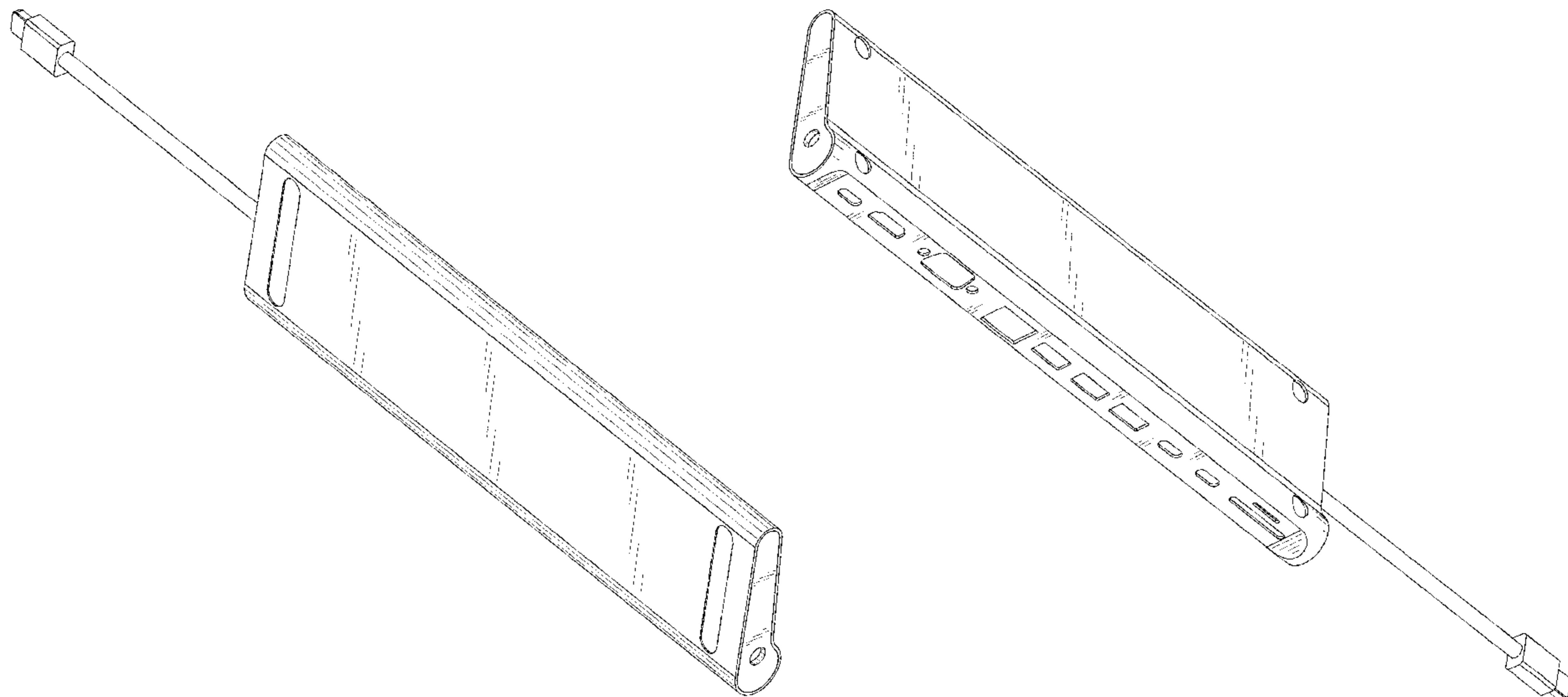
(57) **CLAIM**

The ornamental design for a USB hub, as shown and described.

DESCRIPTION

FIG. 1 is a front perspective view of the USB hub showing my new design;
FIG. 2 is a rear perspective view thereof;
FIG. 3 is a front elevational view thereof;
FIG. 4 is a rear elevational view thereof;
FIG. 5 is a left side elevational view thereof;
FIG. 6 is a right side elevational view thereof;
FIG. 7 is a top plan view thereof; and,
FIG. 8 is a bottom plan view thereof.

1 Claim, 7 Drawing Sheets



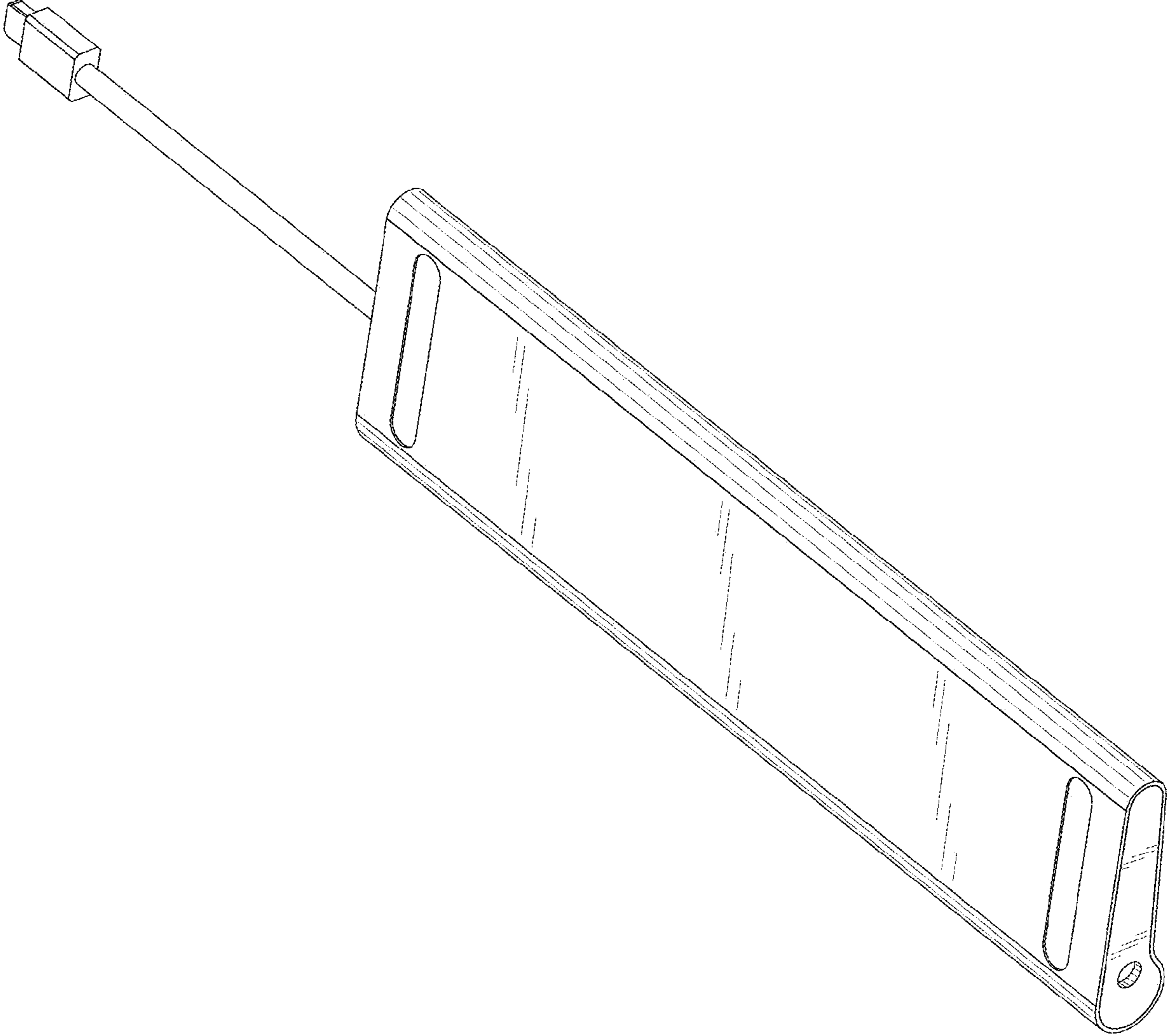


FIG.1

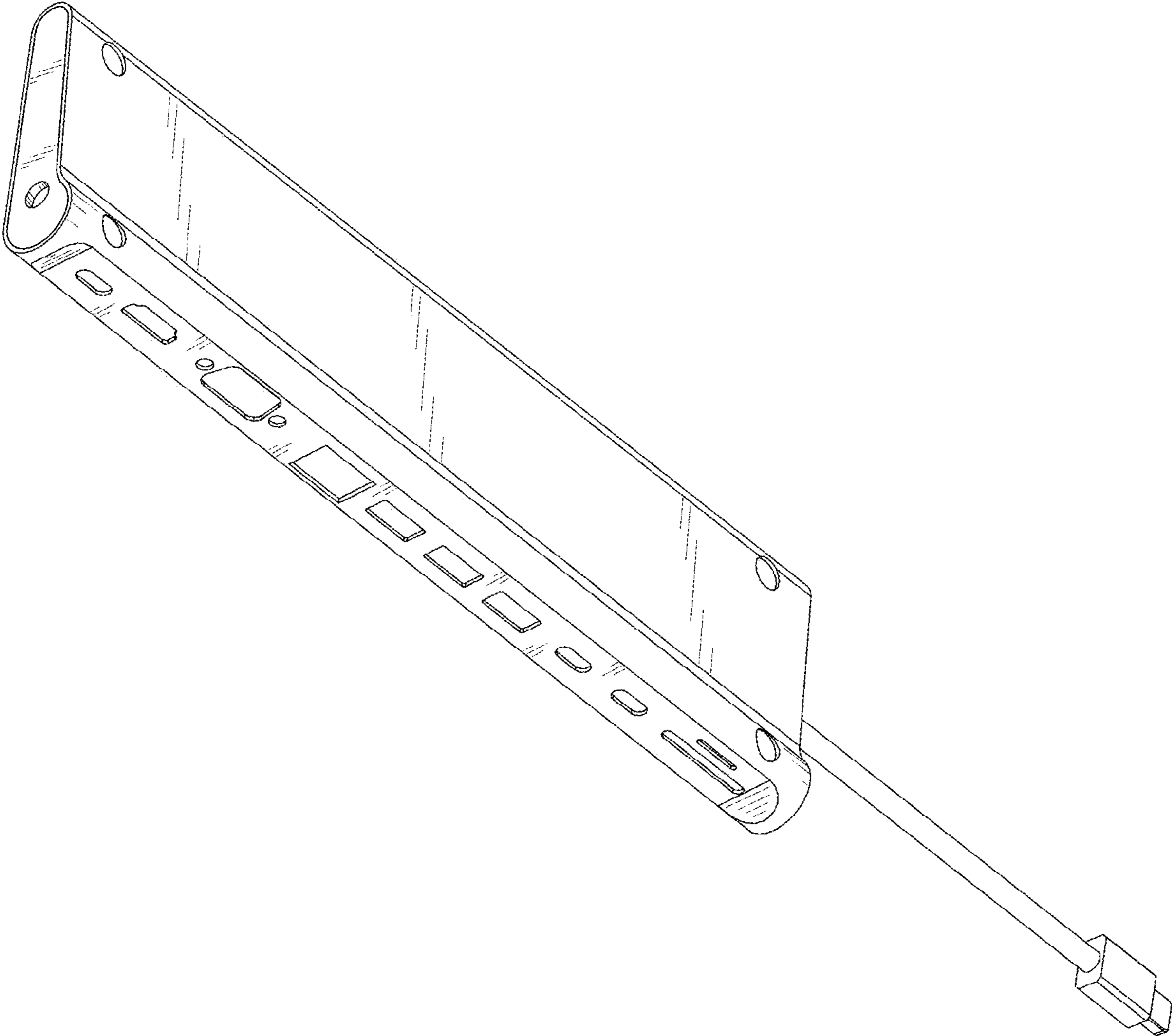


FIG.2

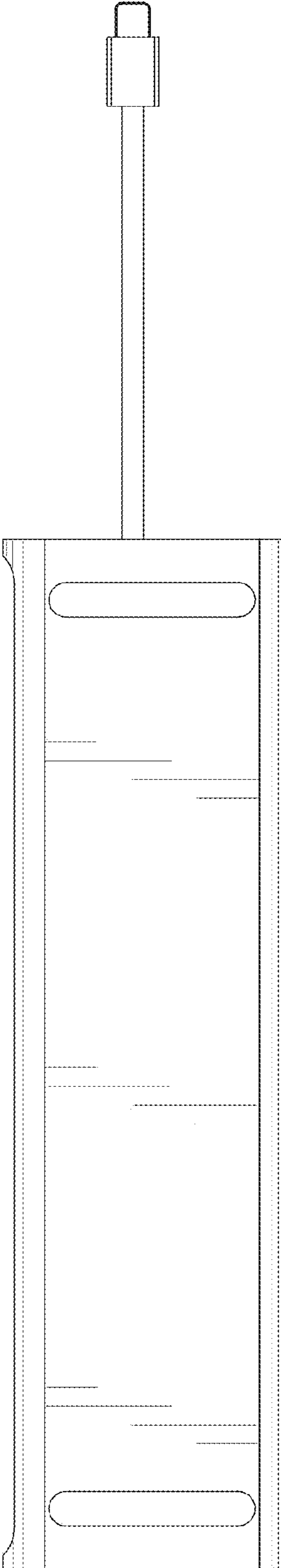


FIG.3

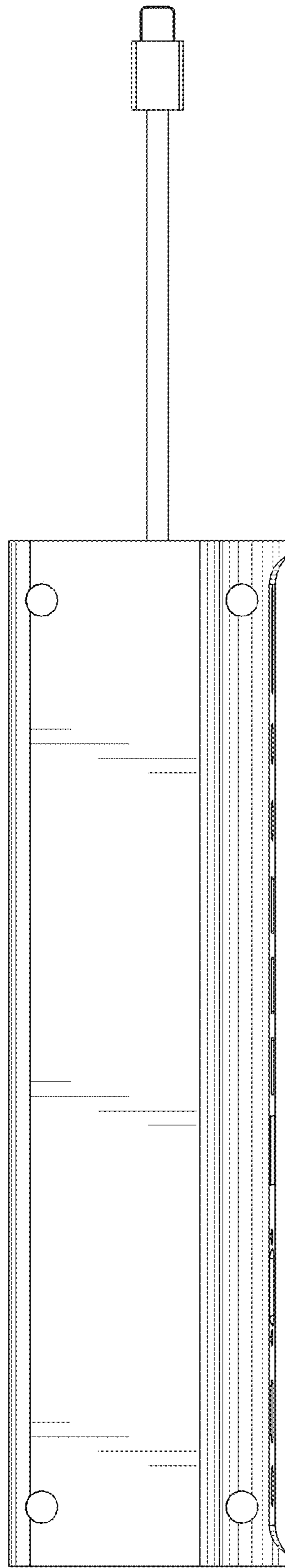


FIG.4

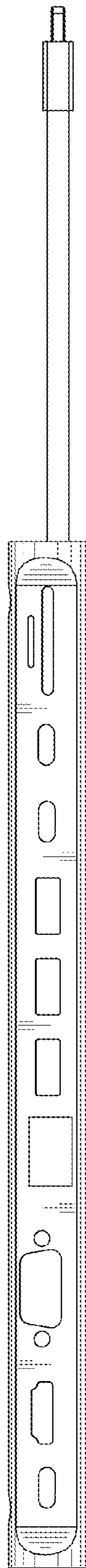


FIG.5

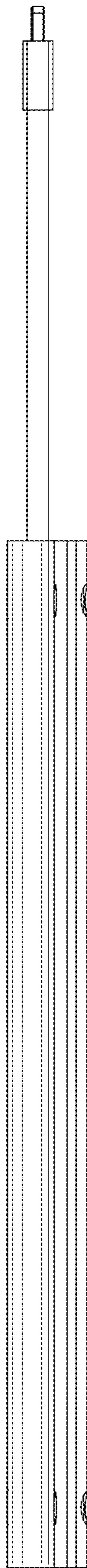


FIG.6

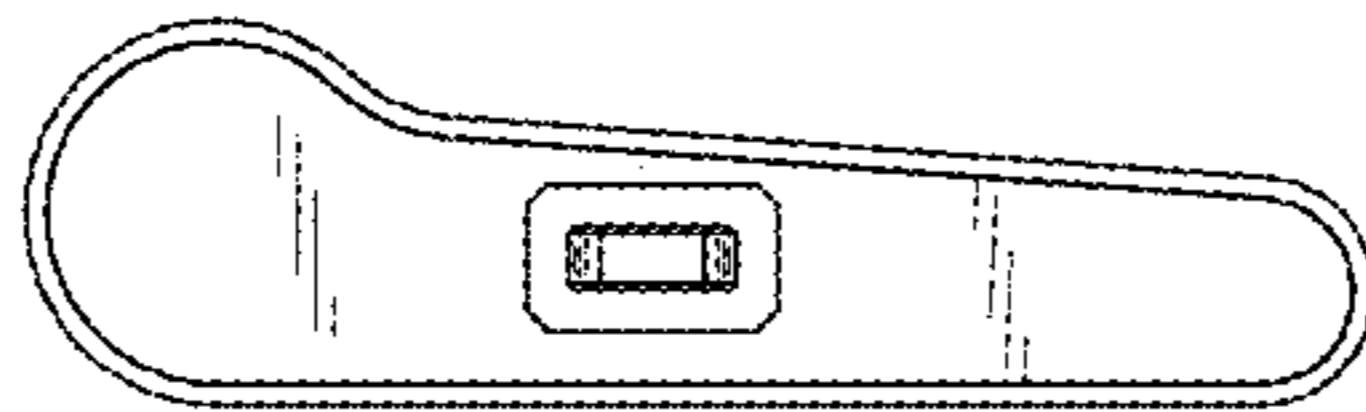


FIG. 7

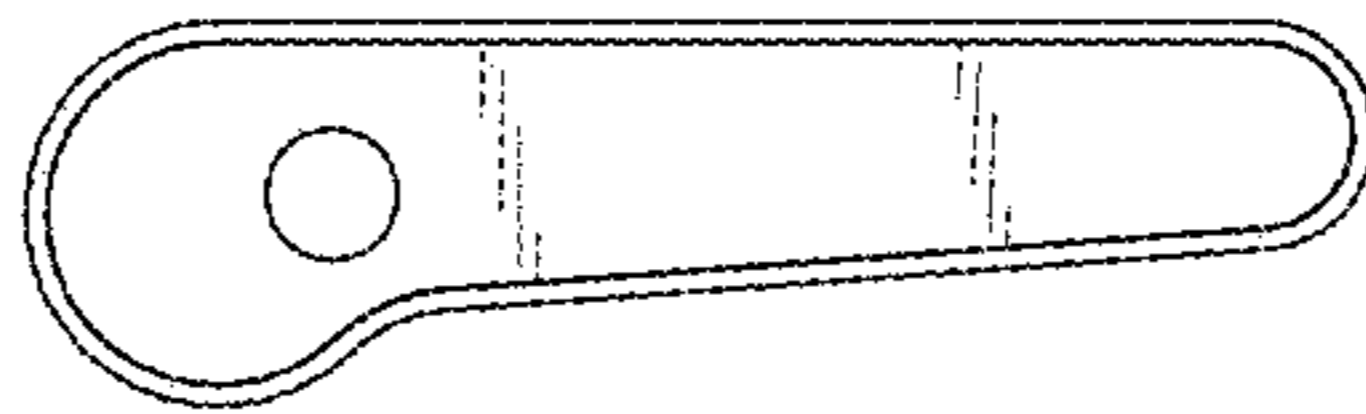


FIG. 8