



US00D908125S

(12) **United States Design Patent**  
**Zheng**

(10) **Patent No.:** **US D908,125 S**  
(45) **Date of Patent:** **\*\* Jan. 19, 2021**

(54) **THREE-DIMENSIONAL BODY SCANNER**

(57) **CLAIM**

(71) Applicant: **ArcSoft Corporation Limited**,  
Hangzhou (CN)

The ornamental design for a three-dimensional body scanner, substantially as shown and described.

(72) Inventor: **Xinwu Zheng**, Hangzhou (CN)

**DESCRIPTION**

(73) Assignee: **ArcSoft Corporation Limited**,  
Hangzhou (CN)

(\*\*) Term: **15 Years**

(21) Appl. No.: **29/634,936**

(22) Filed: **Jan. 25, 2018**

(30) **Foreign Application Priority Data**

Jul. 25, 2017 (CN) ..... 2017 3 0331442

(51) **LOC (13) Cl.** ..... **14-02**

(52) **U.S. Cl.**  
USPC ..... **D14/420; D24/158**

(58) **Field of Classification Search**  
USPC ..... D14/420–423, 385; 433/222.1, 223,  
433/213–215, 73, 24, 29, 37, 202.1;  
(Continued)

(56) **References Cited**

**U.S. PATENT DOCUMENTS**

9,526,442 B2 \* 12/2016 Moore ..... A61B 5/1075  
10,120,100 B2 \* 11/2018 Koeppl ..... A61B 5/05  
(Continued)

**OTHER PUBLICATIONS**

Solutions—Fit3D, “ProScanner + Success Hub”, <<https://www.fit3d.com/solutions/>>, 4 pages. Aug. 31, 2018.

*Primary Examiner* — Susan Moon Lee

(74) *Attorney, Agent, or Firm* — Osha Bergman Watanabe & Burton LLP

FIG. 1 is an upper right front perspective view of a three-dimensional body scanner in accordance with a first embodiment of the design.

FIG. 2 is a front elevational view of the three-dimensional body scanner in accordance with the first embodiment of the design.

FIG. 3 is a rear elevational view of the three-dimensional body scanner in accordance with the first embodiment of the design.

FIG. 4 is a top plan view of the three-dimensional body scanner in accordance with the first embodiment of the design.

FIG. 5 is a bottom plan view of the three-dimensional body scanner in accordance with the first embodiment of the design.

FIG. 6 is a left side elevational view of the three-dimensional body scanner in accordance with the first embodiment of the design.

FIG. 7 is a right side elevational view of the three-dimensional body scanner in accordance with the first embodiment of the design.

FIG. 8 is an upper right front perspective view of a three-dimensional body scanner in accordance with a second embodiment of the design.

FIG. 9 is a front elevational view of the three-dimensional body scanner in accordance with the second embodiment of the design.

FIG. 10 is a rear elevational view of the three-dimensional body scanner in accordance with the second embodiment of the design.

FIG. 11 is a top plan view of the three-dimensional body scanner in accordance with the second embodiment of the design.

FIG. 12 is a bottom plan view of the three-dimensional body scanner in accordance with the second embodiment of the design.

(Continued)

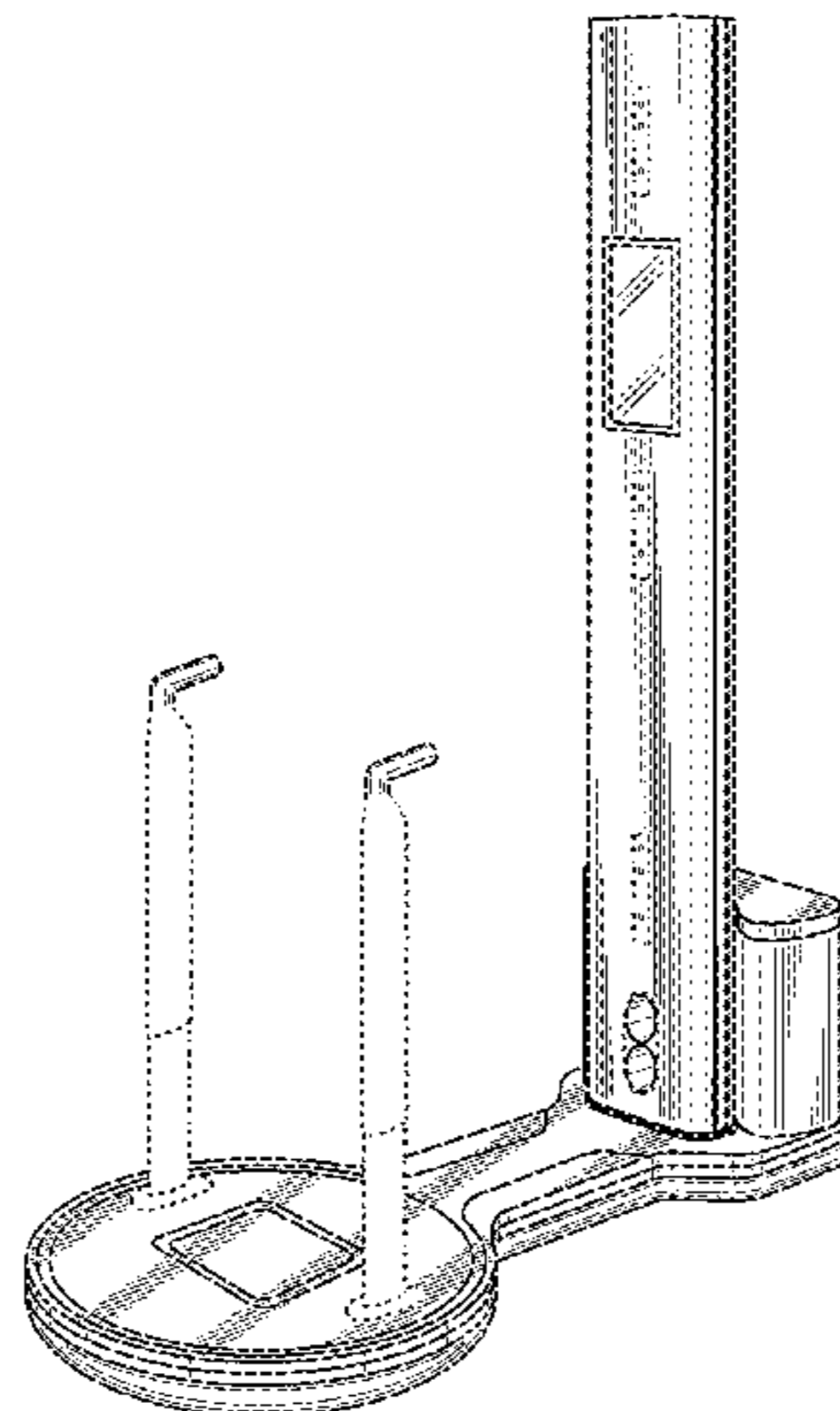


FIG. 13 is a left side elevational view of the three-dimensional body scanner in accordance with the second embodiment of the design; and,

FIG. 14 is a right side elevational view of the three-dimensional body scanner in accordance with the second embodiment of the design.

The broken lines showing the remainder of the three-dimensional body scanner are directed to environment for illustrative purposes and form no part of the claimed design.

**1 Claim, 14 Drawing Sheets**

**(58) Field of Classification Search**

USPC ..... 700/98, 97, 118, 161, 163, 182; 264/16, 264/17, 19, 219, 225; 374/1; 707/104.1; 249/54; 600/590; D20/1-9; 194/205, 194/206, 244, 321, 345, 346, 350; D18/3.3, 4.4, 12, 49; D99/28, 43; 235/381; 33/286, 276, 227, 1 R, 1 C, 33/1 G, 1 K, 1 N, 1 L; 348/47-50, 86, 348/94, 95, 207.99, 280, 281, 294, 369, 348/370; 359/202.1, 203.1, 204.1-204.5, 359/216.1, 221.2-221.4, 225.1, 226.2, 359/198.1, 200.1, 200.2, 1, 17-22, 32-35, 359/896; 396/155, 14, 19, 20; 353/82; D15/122, 125, 126, 129, 130, 138, 199; D24/158, 186, 209, 210; D16/208, 214; 378/4-6, 12-27, 62, 63, 68, 70, 146, 378/193-195, 204-207; 250/363.02-363.09, 366, 367, 370.1; 47/39, 18, 44, 47, 63, 65, 65.5, 41.14, 42; 248/97, 127, 128, 146, 151, 177.1, 186.1, 248/187.1, 188, 188.1, 188.2, 150, 154, 248/907, 346.03, 152, 173, 526, 156; D6/403; D11/143, 144, 152, 153, 164; D34/6, 5; D7/388  
 CPC .... G01C 15/00; G01C 15/002; G01C 15/004; G01C 15/006; G01C 15/008; G01S 17/88; G01S 17/89; G01S 13/89; G01S 13/887; G02B 26/0816; G02B 26/10; G02B 26/101-124; G02B 26/127; G02B 7/1821; G02B 7/1822; G02B 27/0075; G02B 13/001; G02B 5/201; G02B 3/0056; H01L 27/14627; H01L 27/14621; H01L 21/67288; H01L 21/00; H04N 5/2254; H04N 5/23212; H04N 9/3185;

H04N 9/3129; H04N 13/0253; H04N 13/0221; G01B 11/2513; G01B 11/2518; G01B 11/2522; G01B 5/0002; G03F 7/70483; G06K 9/3275; G06K 2209/19; G06T 11/003; G06T 11/00; G06T 11/001; G06T 11/005; G06T 1/00; G06T 1/0007; G06T 3/80037; G06T 3/0043; G06T 3/0056; G06T 3/0062; G06T 3/0087; G06T 3/20; G06T 3/40; G06T 3/60; G06T 3/602-608; G06T 5/009; G06T 5/10; G06T 5/20; G06T 5/40; G06T 5/50; G06T 7/0057; G06T 7/0061; G06T 9/001; G01N 9/02; G01N 9/00; G01N 2009/022; G01N 2009/024; G01N 21/3581; G01N 2201/11; G01N 2201/115; G01N 2201/117; G01V 5/0066; G01V 5/0016; G01V 8/10; G01V 8/18; G01V 8/22; G01V 8/24; G01V 8/26; A61B 6/4452; A61B 6/447; A61B 6/4435; A61B 6/037; A61B 6/4405; A61B 6/4411; A61B 5/0064-0082; A61B 5/0093-0097; A61B 5/05; A61B 5/0515; A61B 5/053; A61B 5/06; H04B 2001/0491; A01G 31/02; A01G 31/00; A01G 9/12; A01G 9/0293; A01G 9/124; A01G 17/04; A47G 7/02; A47G 7/025; A47G 7/041; F16M 11/00; B65F 1/141; B65F 1/1415; Y10S 248/907

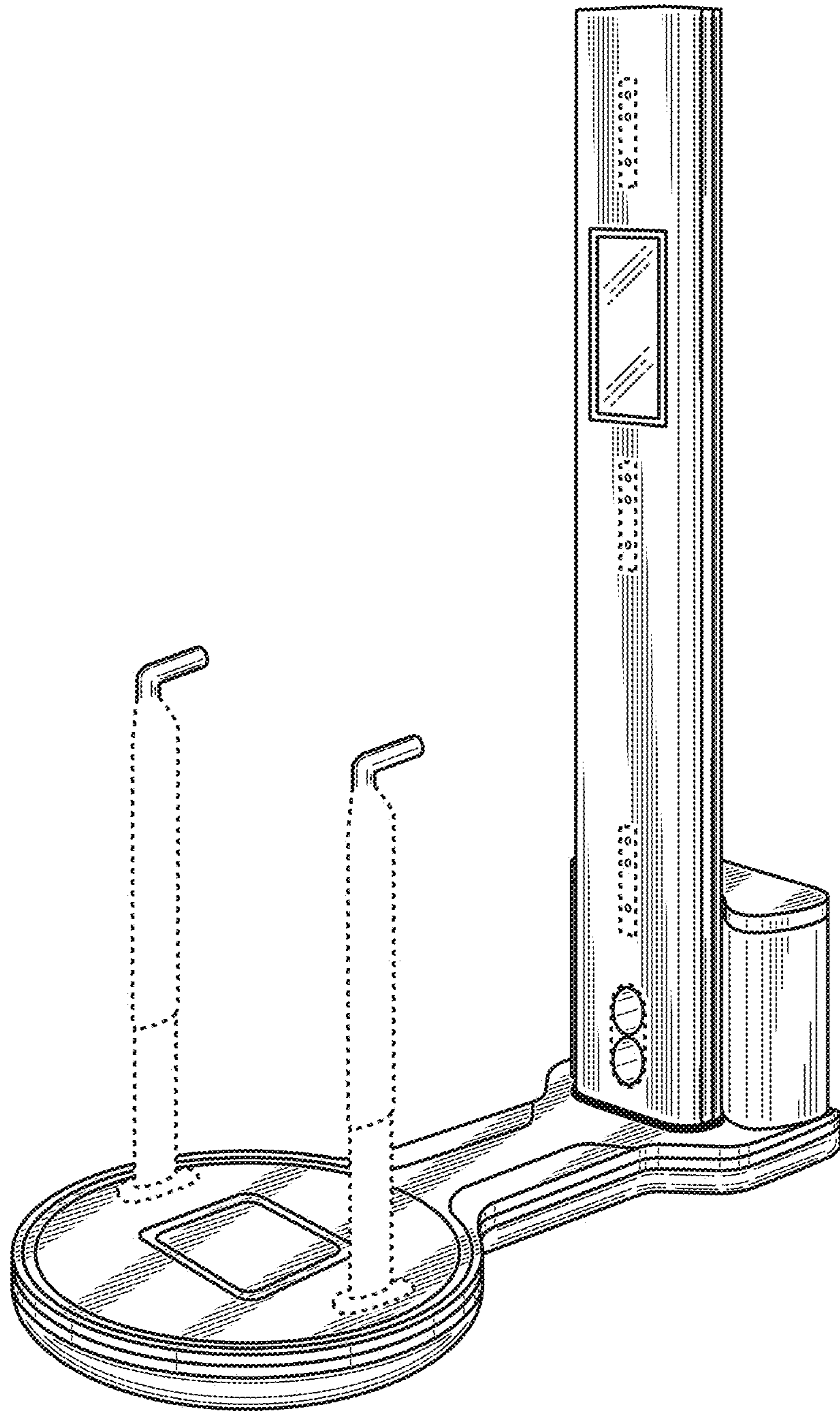
See application file for complete search history.

**(56) References Cited**

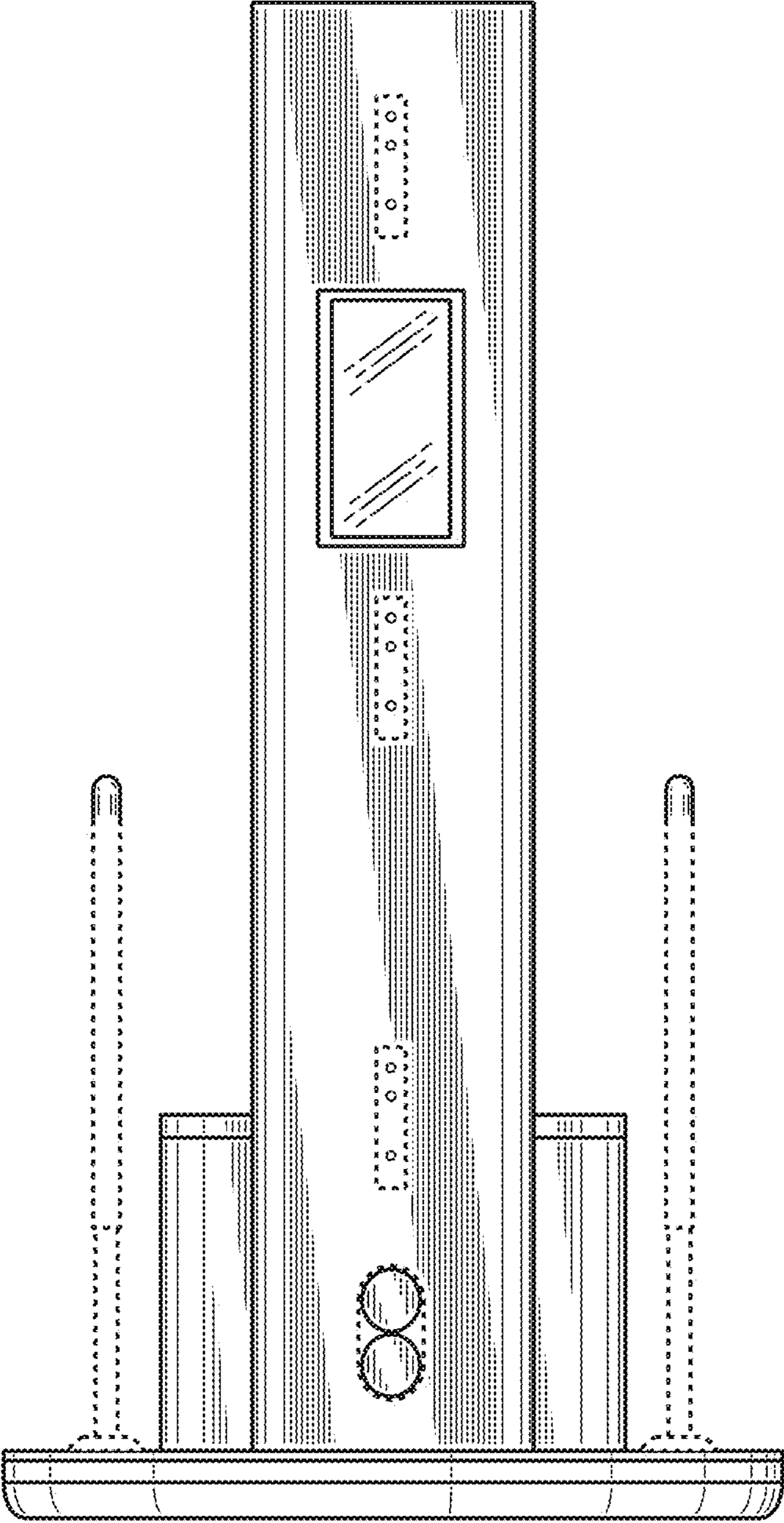
U.S. PATENT DOCUMENTS

10,210,646 B2 \* 2/2019 Moore ..... G06T 7/593  
 D868,259 S \* 11/2019 Frey ..... D24/158  
 D890,344 S \* 7/2020 Wells ..... D24/158  
 2010/0245555 A1 \* 9/2010 Talluri ..... A61B 5/1077  
 348/77  
 2010/0277571 A1 \* 11/2010 Xu ..... G06T 7/521  
 348/47  
 2014/0340479 A1 \* 11/2014 Moore ..... A61B 5/0064  
 348/43  
 2014/0348417 A1 \* 11/2014 Moore ..... A61B 5/1075  
 382/154  
 2018/0067043 A1 \* 3/2018 Koepl ..... G01V 8/005  
 2019/0180492 A1 \* 6/2019 Moore ..... A61B 5/1075  
 2019/0360907 A1 \* 11/2019 Brunetti Fernandez .....  
 G01N 9/02

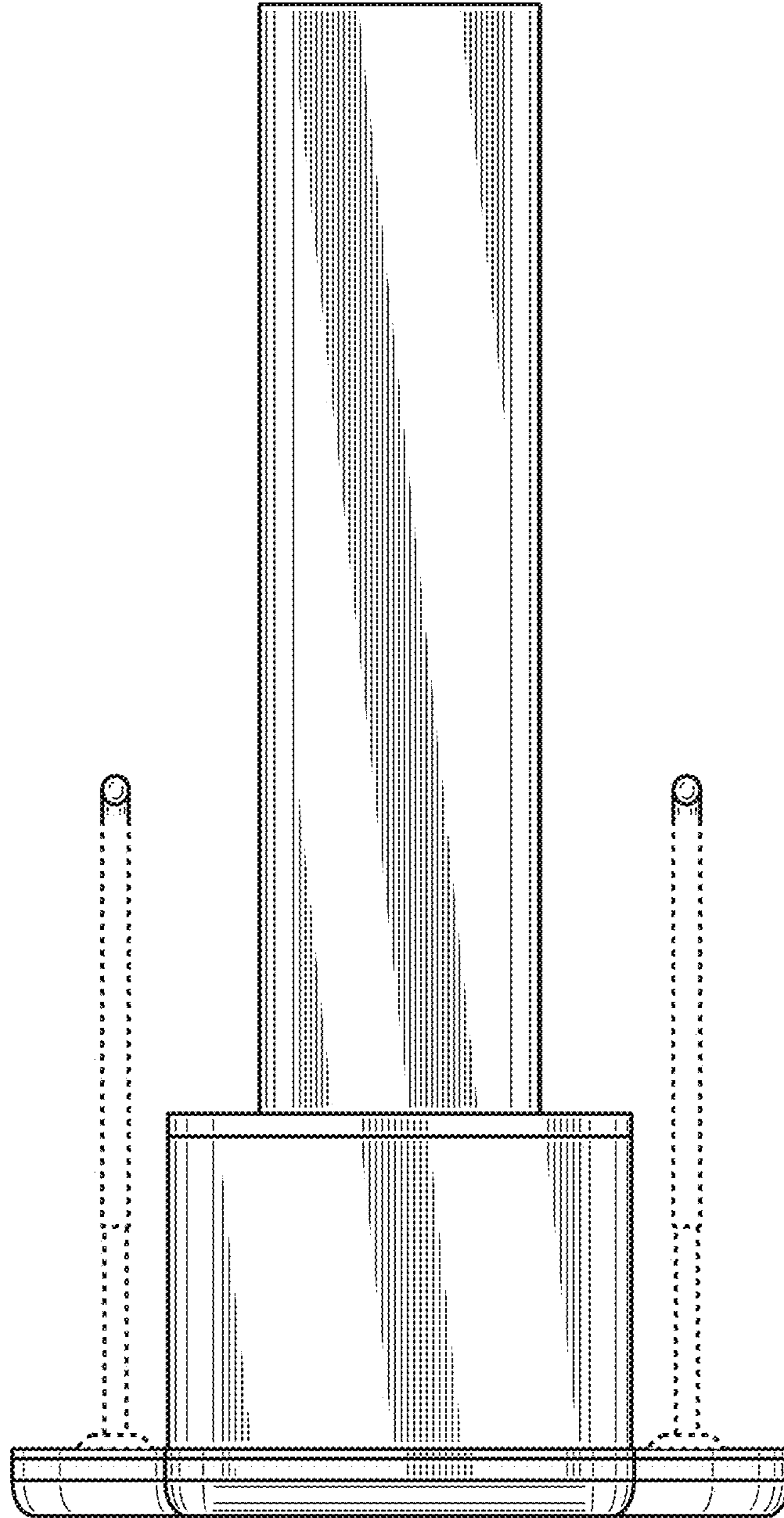
\* cited by examiner



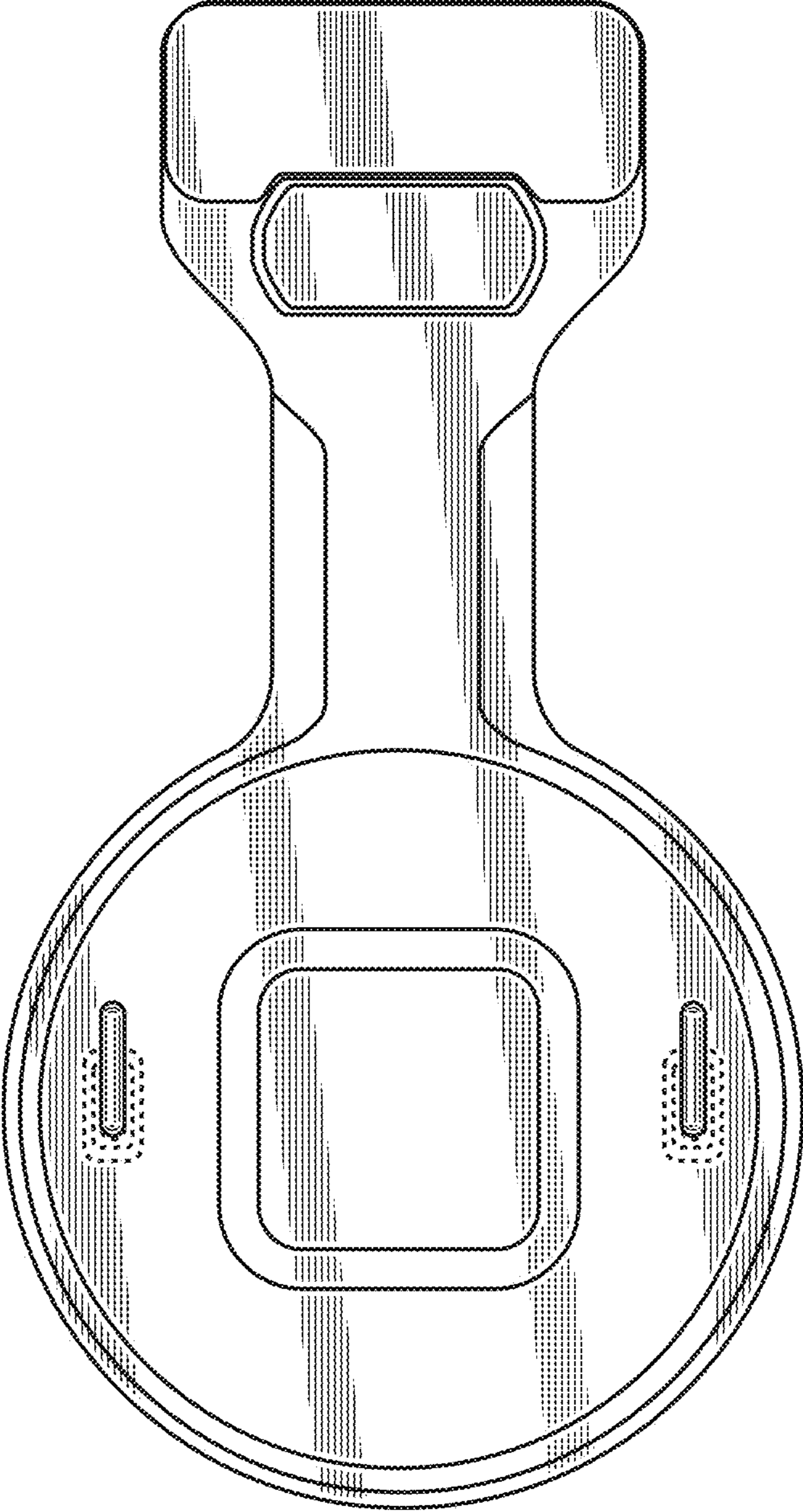
**FIG. 1**



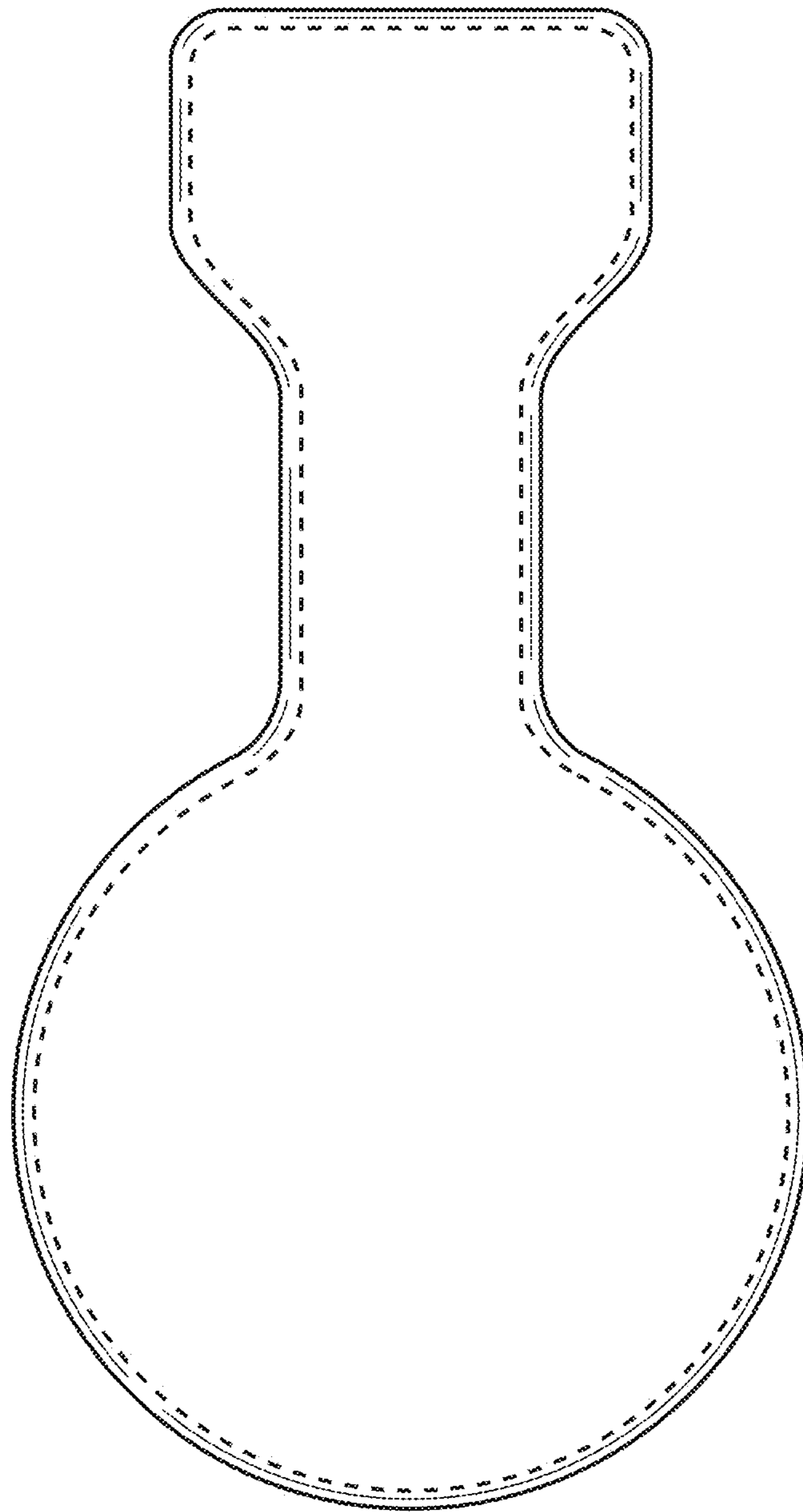
**FIG. 2**



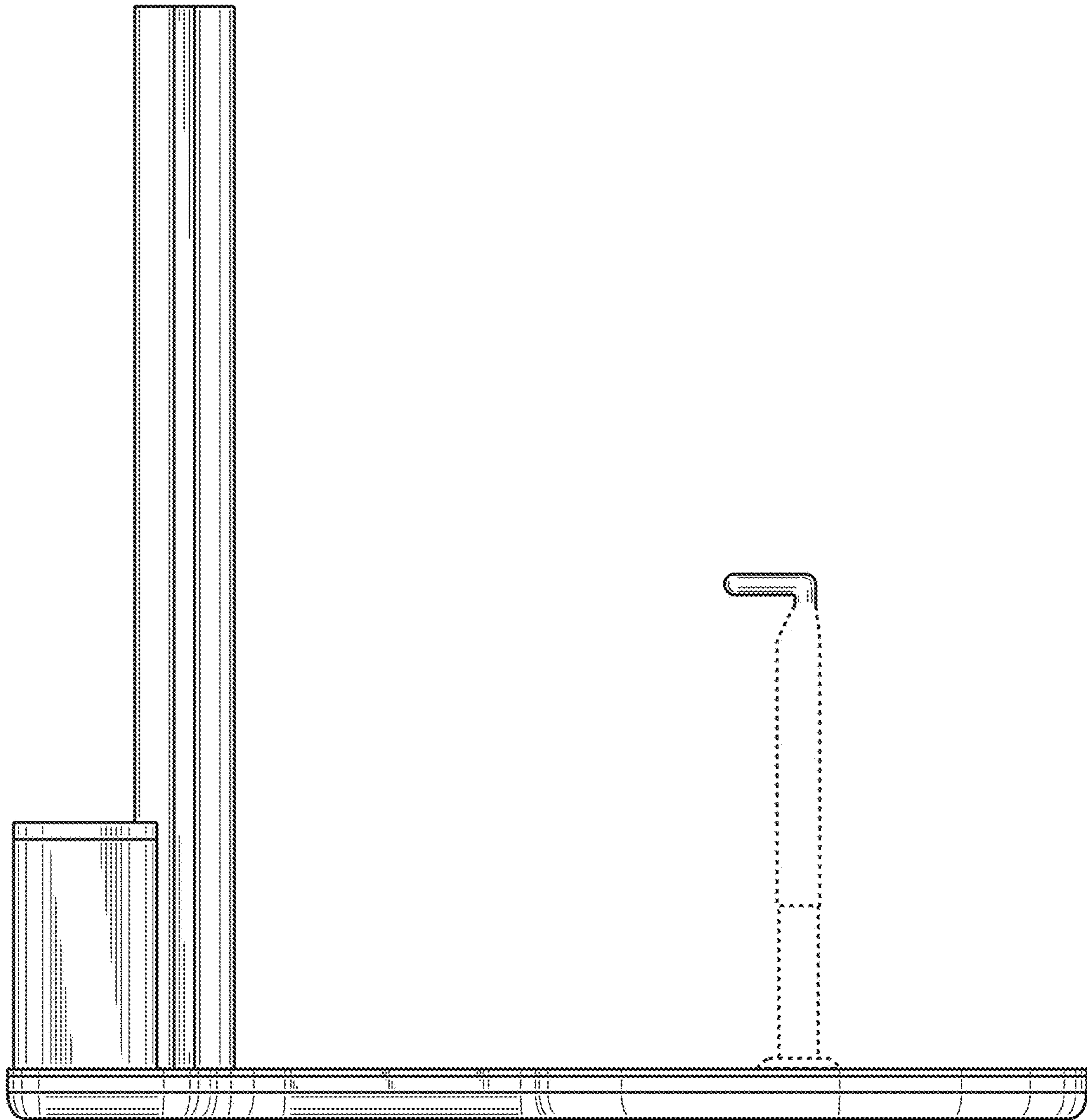
**FIG. 3**



**FIG. 4**

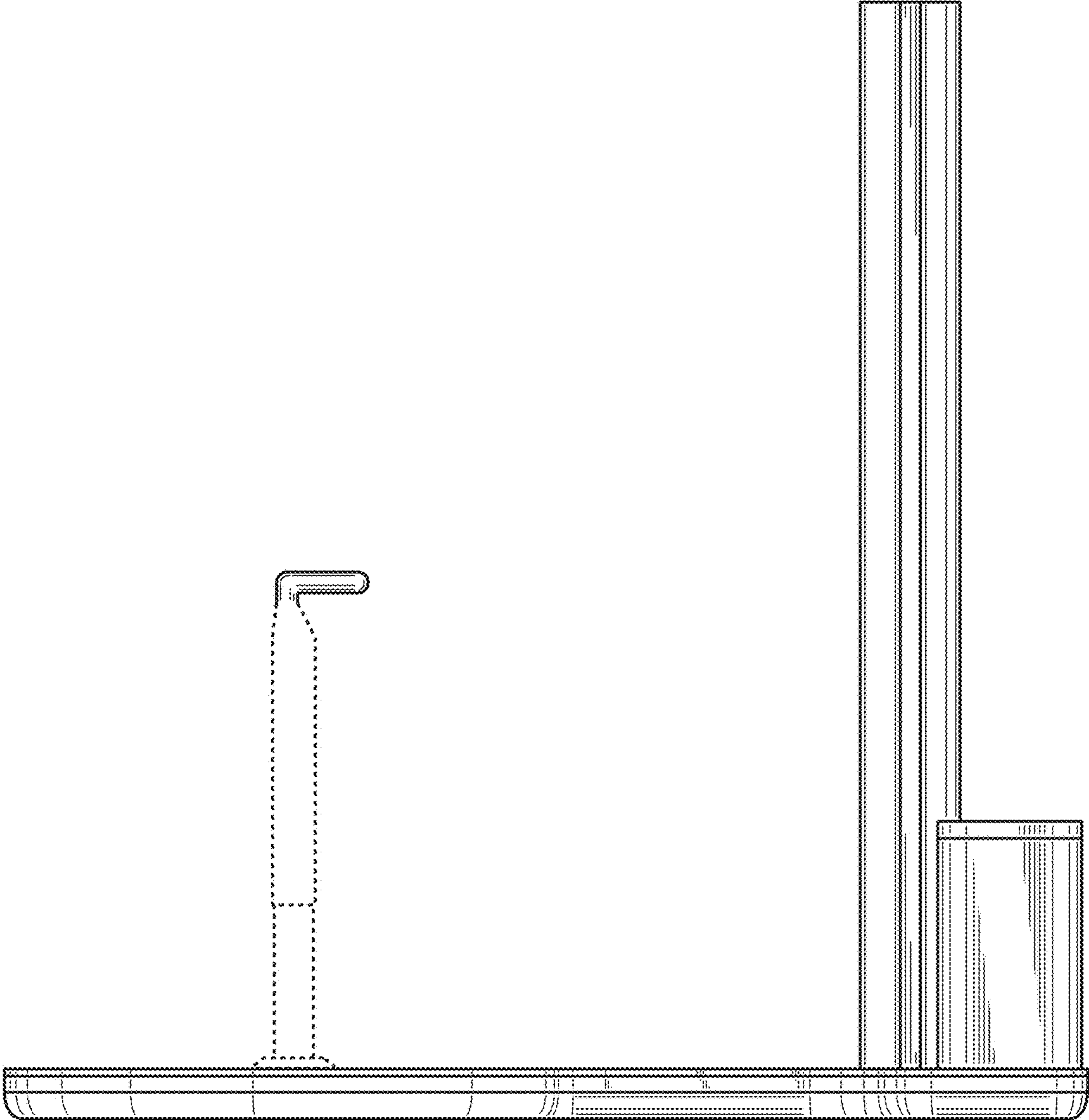


**FIG. 5**

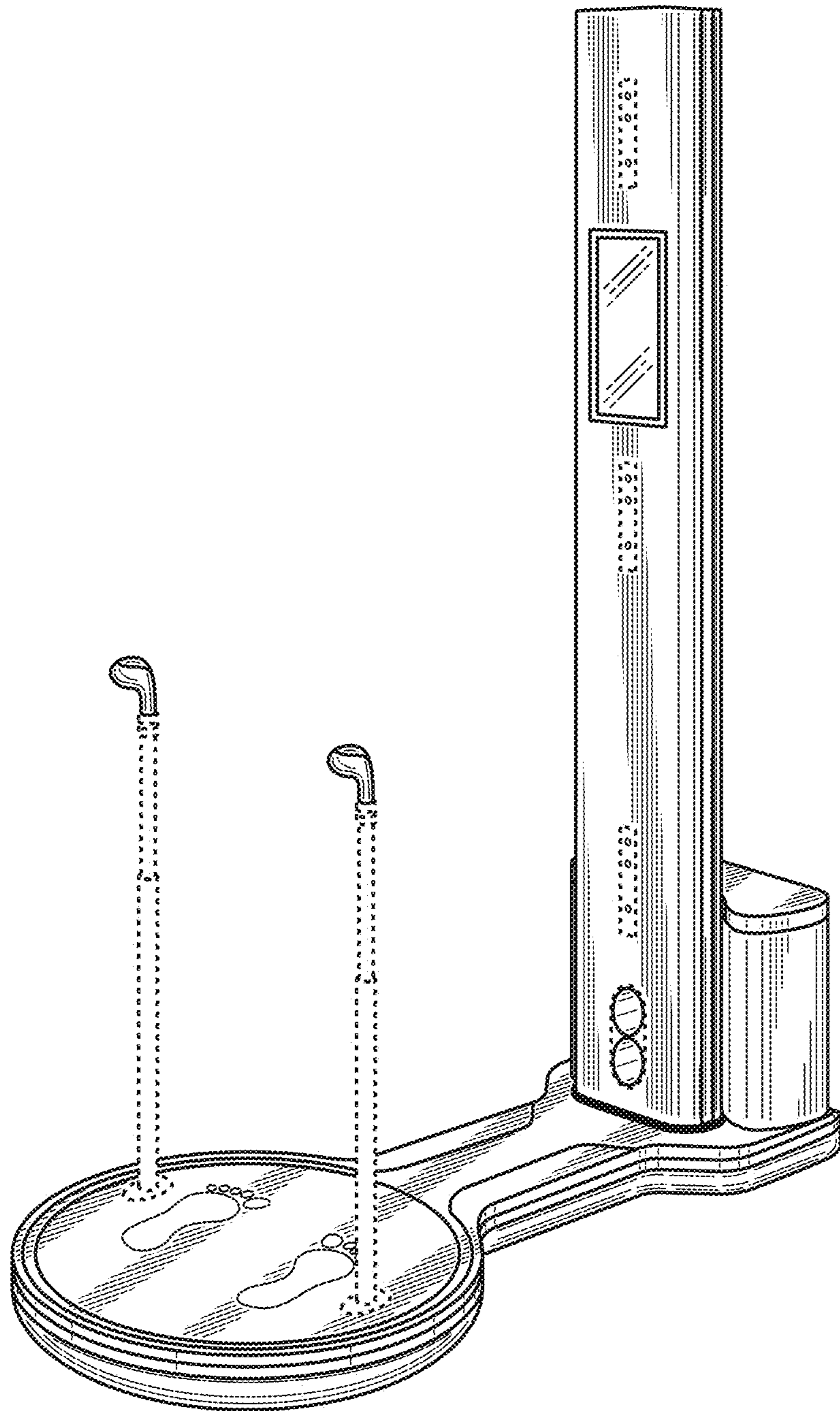


**FIG. 6**

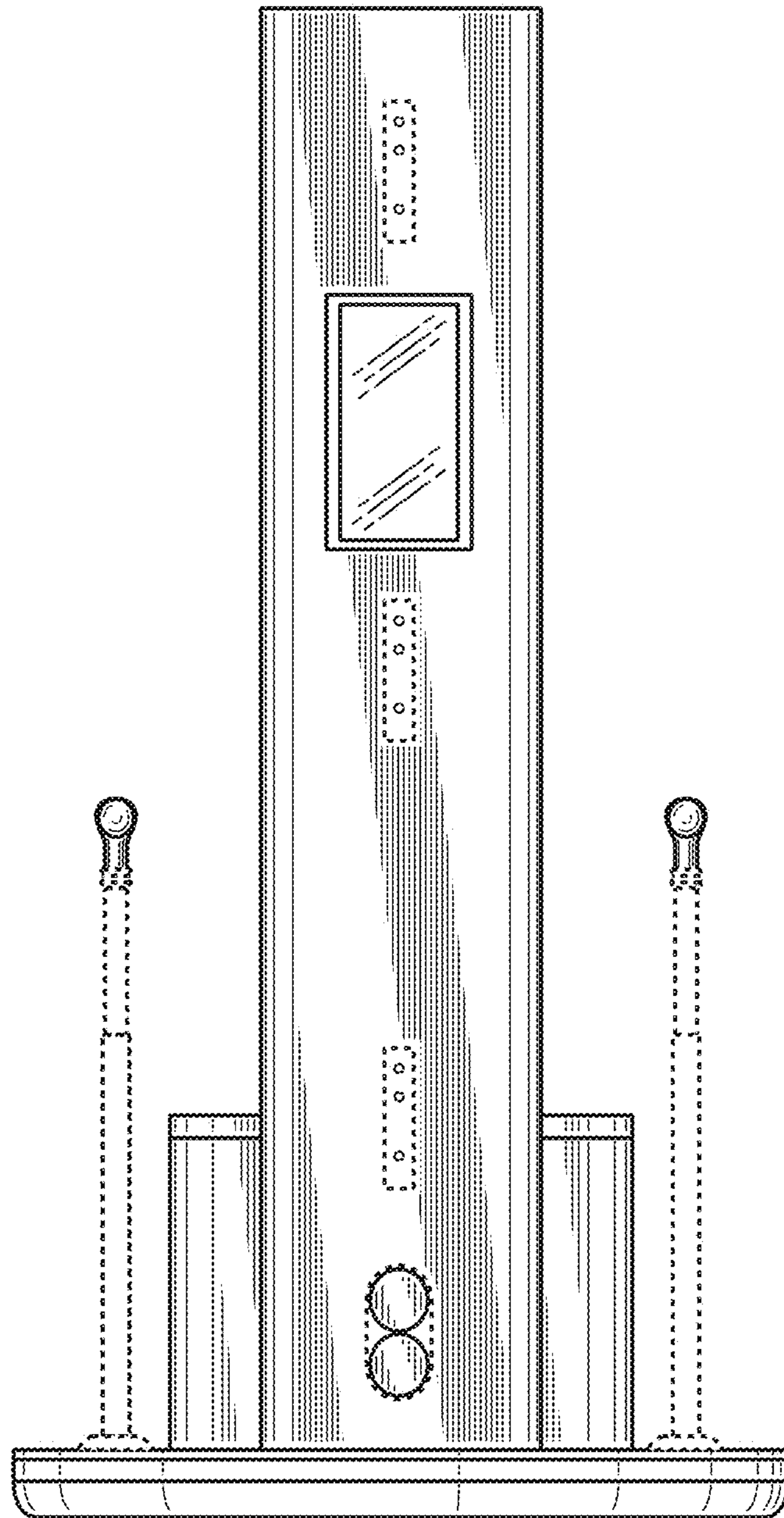




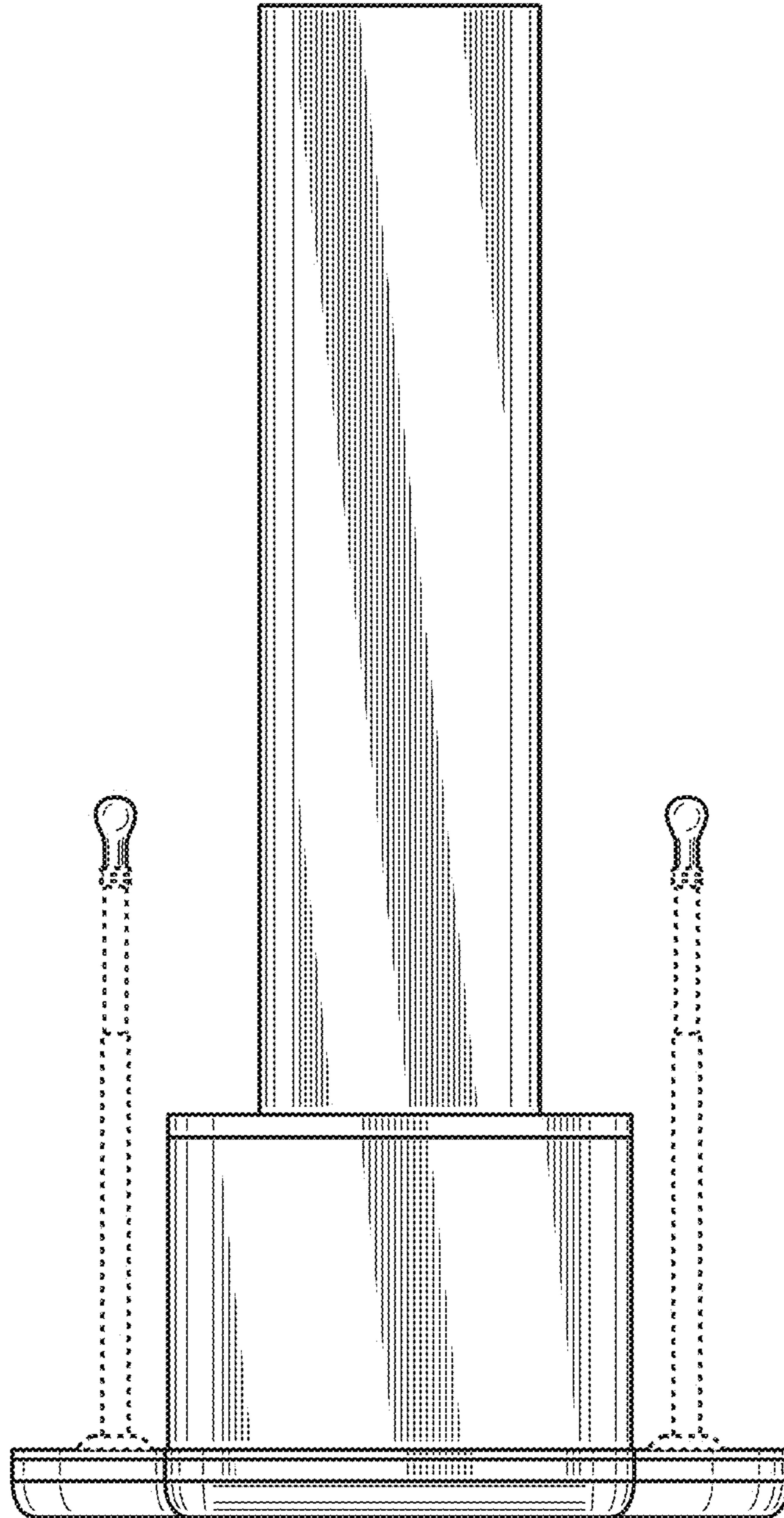
**FIG. 7**



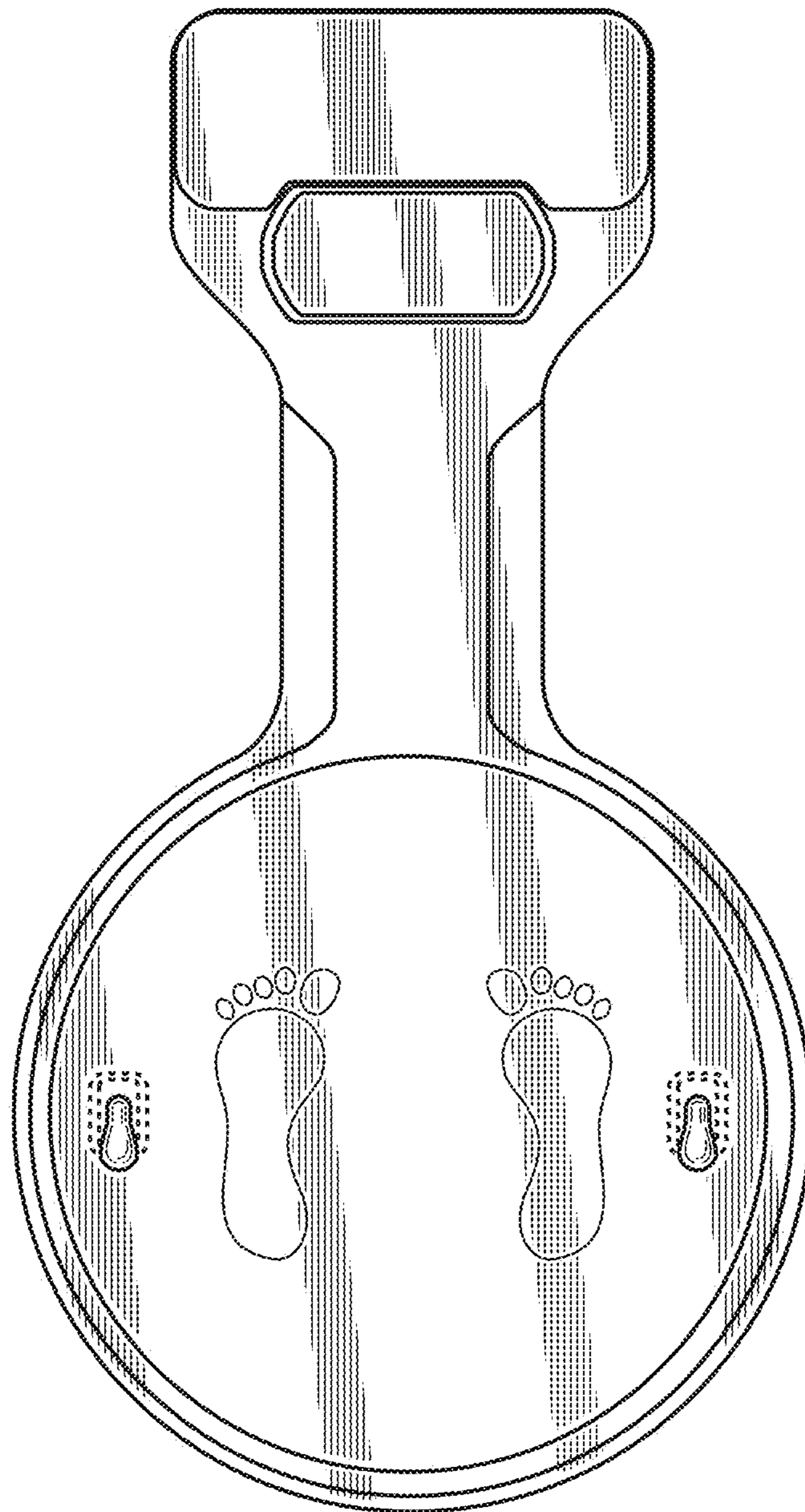
**FIG. 8**



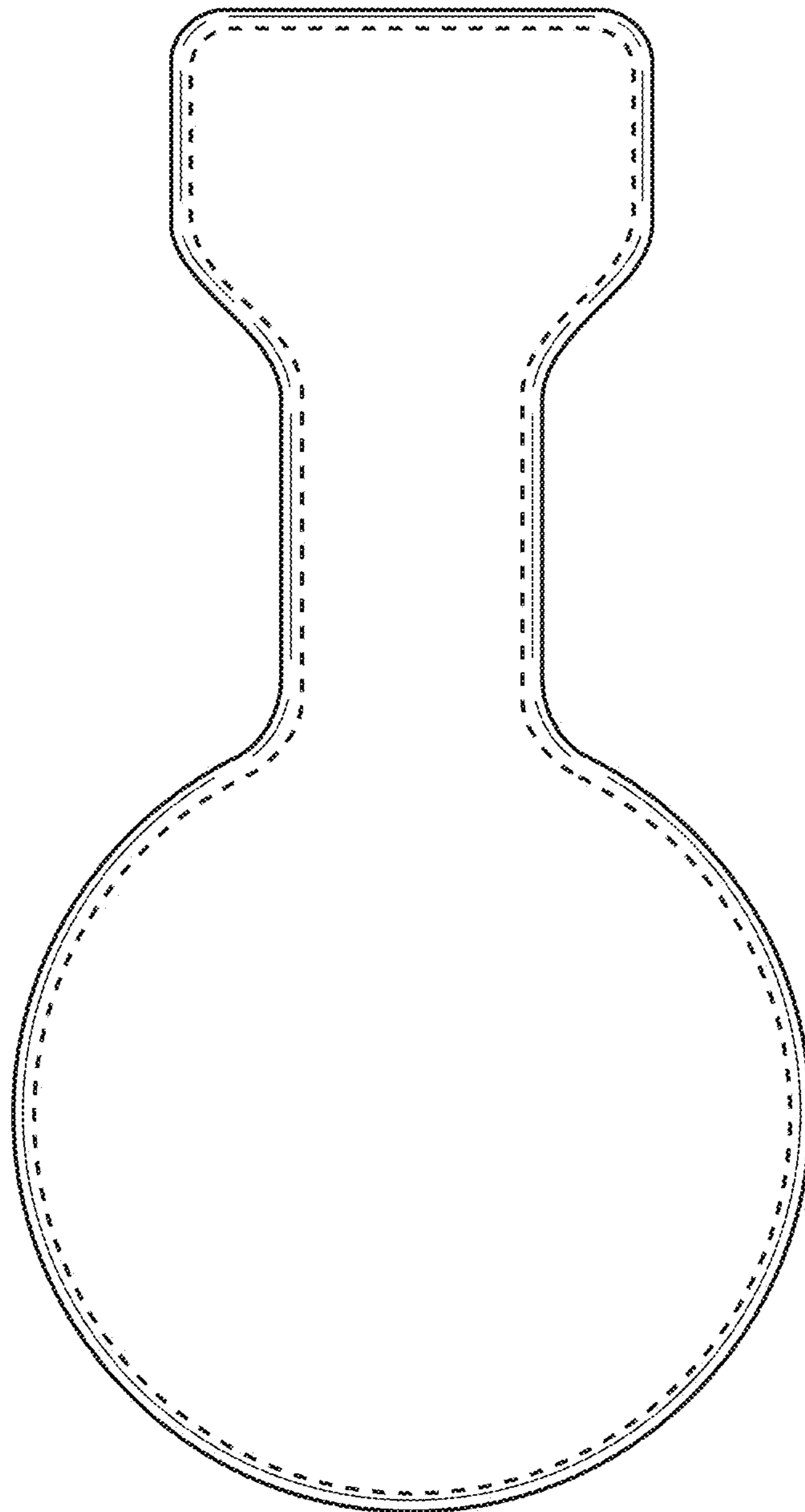
**FIG. 9**



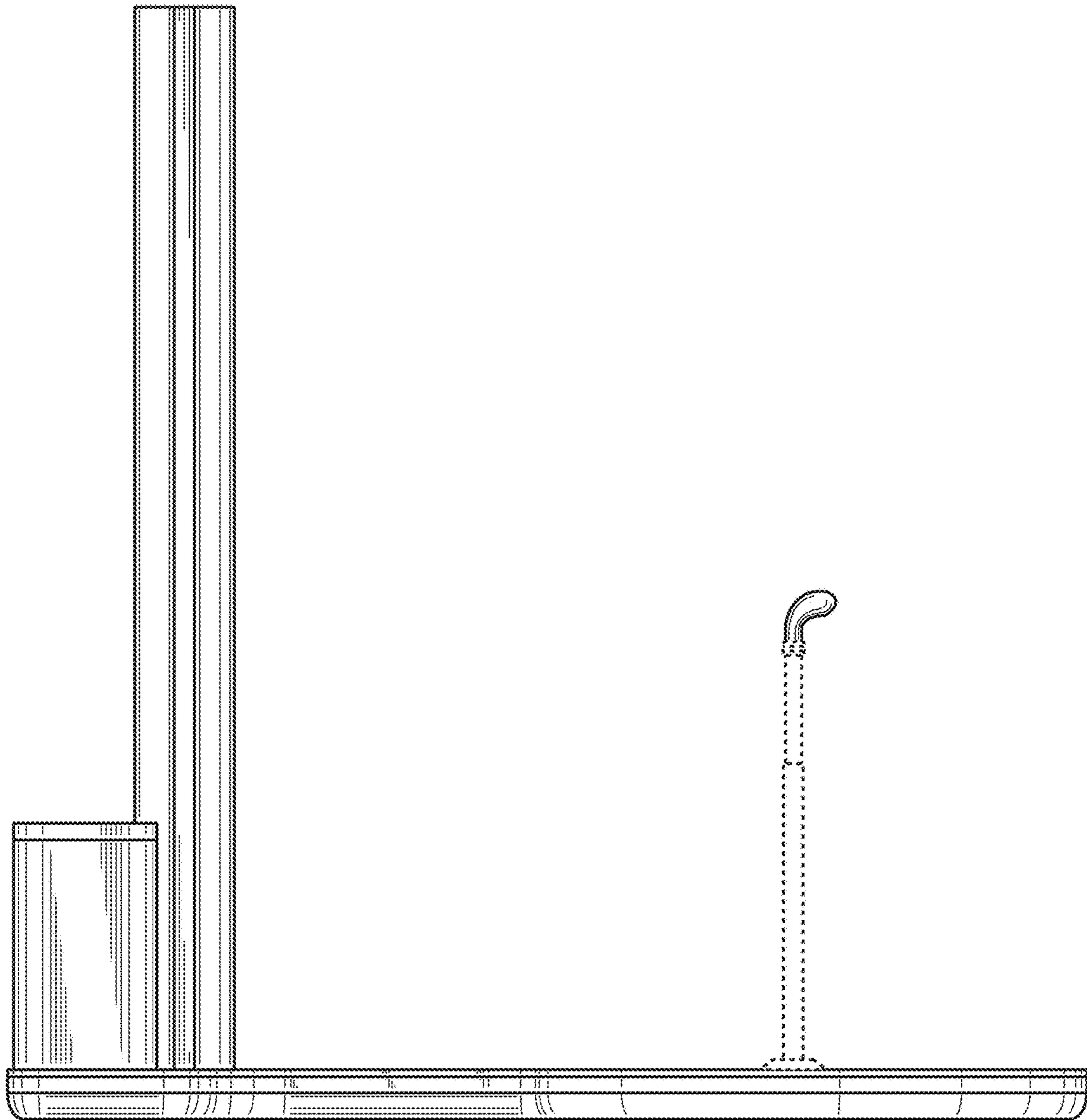
**FIG. 10**



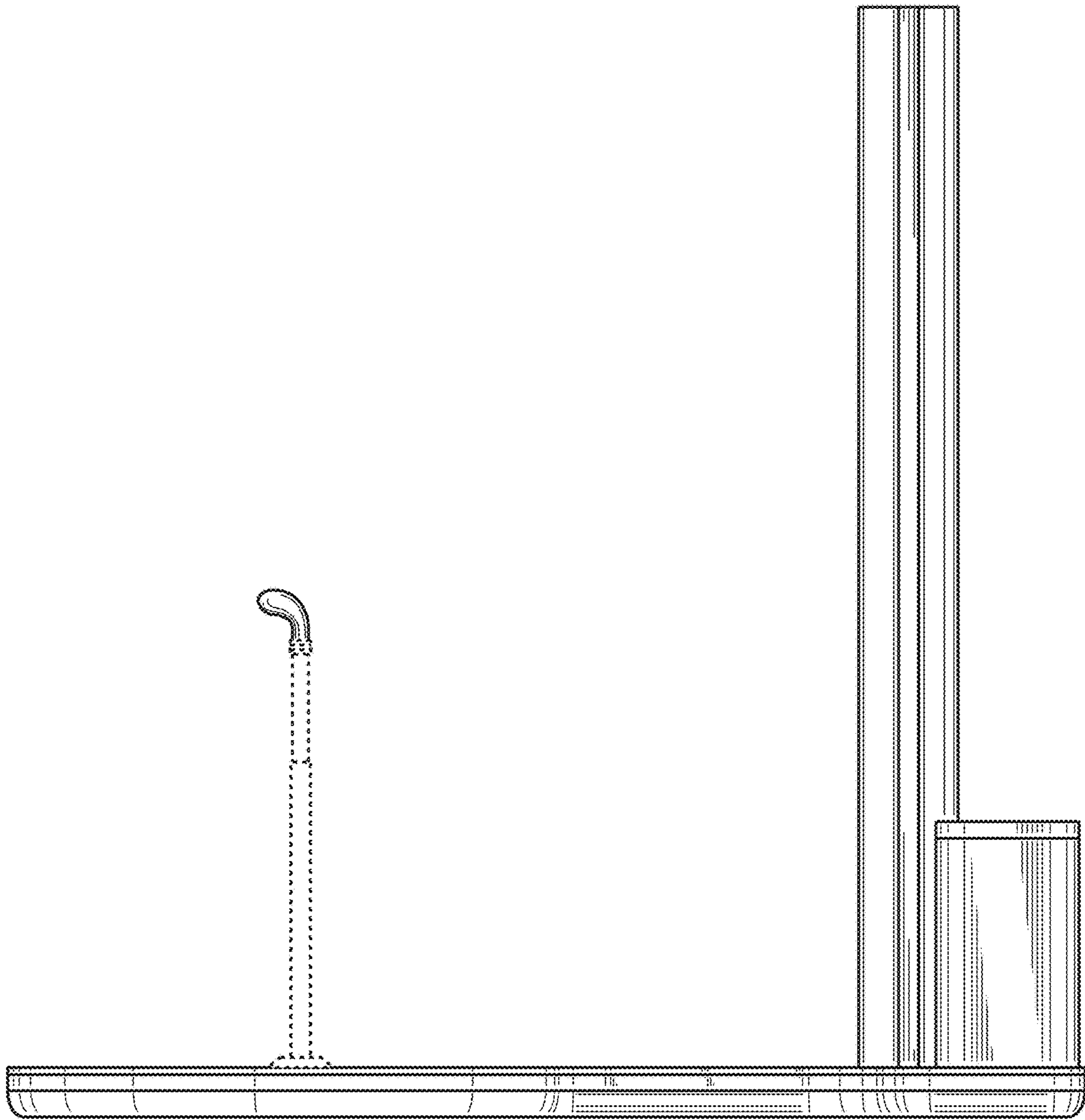
**FIG. 11**



**FIG. 12**



**FIG. 13**



**FIG. 14**