



US00D908124S

(12) **United States Design Patent** (10) **Patent No.:** **US D908,124 S**  
**Abellera et al.** (45) **Date of Patent:** **\*\* Jan. 19, 2021**

(54) **ANIMATED RESPONSIVE DISPLAY ON A JOYSTICK**

(71) Applicant: **Brunswick Corporation**, Mettawa, IL (US)

(72) Inventors: **Ryan C. Abellera**, Fond du Lac, WI (US); **Todd D. Dannenberg**, Oshkosh, WI (US); **Mark W. Henker**, Fond du Lac, WI (US); **Yana V. Foltice**, Campbellsport, WI (US)

(73) Assignee: **Brunswick Corporation**, Mettawa, IL (US)

(\*\*) Term: **15 Years**

(21) Appl. No.: **29/662,450**

(22) Filed: **Sep. 5, 2018**

**Related U.S. Application Data**

(62) Division of application No. 29/536,886, filed on Aug. 20, 2015, now Pat. No. Des. 831,652.

(51) **LOC (13) Cl.** ..... **14-03**

(52) **U.S. Cl.**  
USPC ..... **D14/413; D12/317**

(58) **Field of Classification Search**  
USPC ..... D14/412–416, 485–495; D12/174, 317; D26/123, 124

(Continued)

(56) **References Cited**

**U.S. PATENT DOCUMENTS**

4,501,424 A 2/1985 Stone et al.  
5,213,327 A 5/1993 Kitaue

(Continued)

**OTHER PUBLICATIONS**

BMW Technology Guide: iDrive, [http://www.bmw.com/com/en/insights/technology/technology\\_guide/articles/idrive](http://www.bmw.com/com/en/insights/technology/technology_guide/articles/idrive), website visited Jun. 10, 2015.

(Continued)

*Primary Examiner* — Richelle G Shelton

(74) *Attorney, Agent, or Firm* — Andrus Intellectual Property Law, LLP

(57) **CLAIM**

We claim the ornamental design for an animated responsive display on a joystick, as shown and described.

**DESCRIPTION**

FIG. 1 is a first image in a first sequence of an animated responsive display on a joystick, when the joystick is in a first position;

FIG. 2 is a second image thereof, when the joystick is in a second position;

FIG. 3 is a third image thereof, when the joystick is in a third position;

FIG. 4 is a fourth image thereof, when the joystick is in the third position;

FIG. 5 is a fifth image thereof, when the joystick is in the third position;

FIG. 6 is a sixth image thereof, when the joystick is in the third position;

FIG. 7 is a seventh image thereof, when the joystick is in the third position;

FIG. 8 is an eighth image thereof, when the joystick is in the second position;

FIG. 9 is a ninth image thereof, when the joystick is in the second position;

FIG. 10 is a tenth image thereof, when the joystick is in the second position;

FIG. 11 is an eleventh image thereof; and a first image in a second sequence of an animated responsive display on a joystick, when the joystick is in the first position;

FIG. 12 is a second image thereof, when the joystick is in a fourth position;

FIG. 13 is a third image thereof, when the joystick is in a fifth position;

FIG. 14 is a fourth image thereof, when the joystick is in the fifth position;

FIG. 15 is a fifth image thereof, when the joystick is in the fifth position;

(Continued)

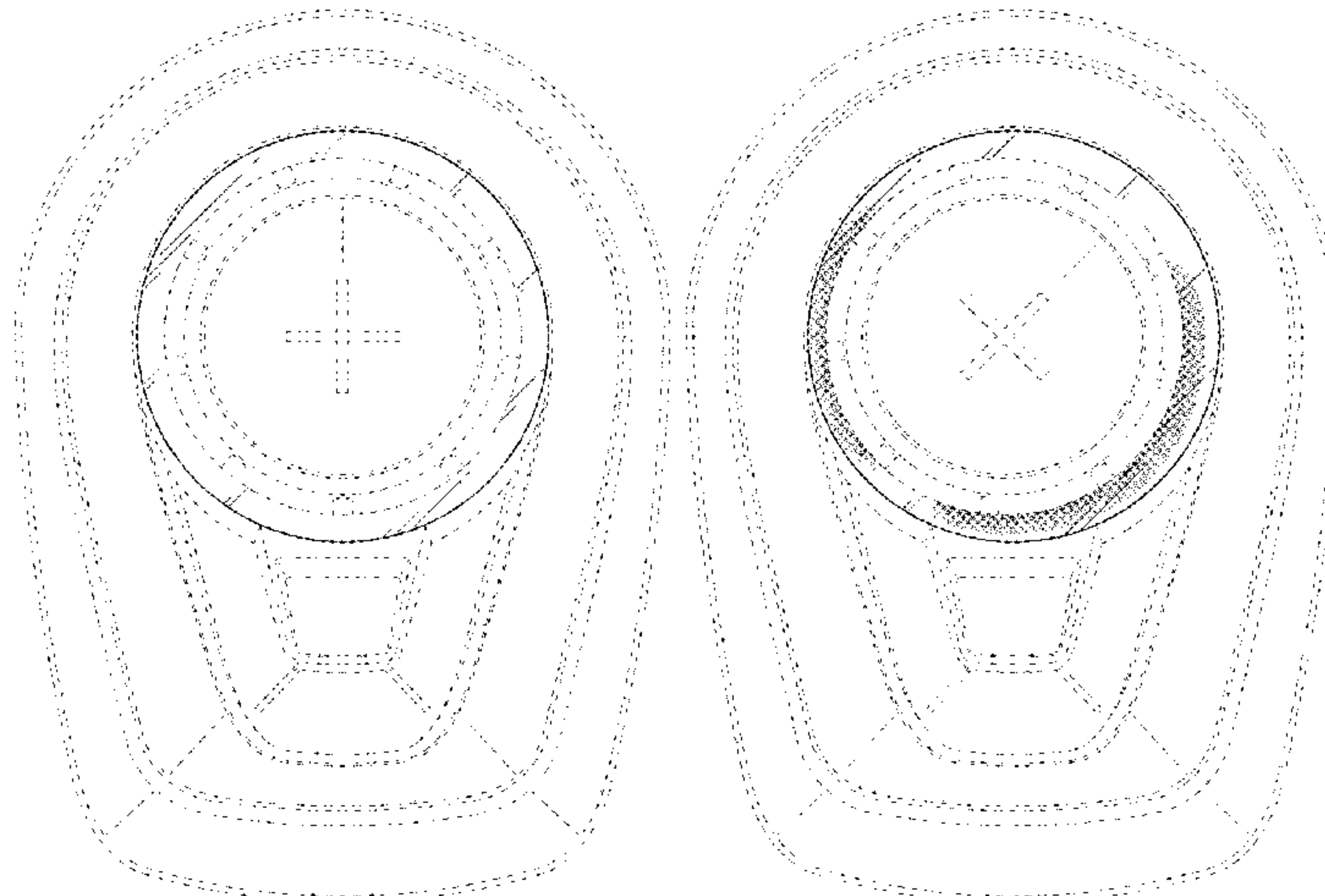


FIG. 16 is a sixth image thereof, when the joystick is in the fifth position;

FIG. 17 is a seventh image thereof, when the joystick is in the fifth position;

FIG. 18 is an eighth image thereof, when the joystick is in the fourth position;

FIG. 19 is a ninth image thereof, when the joystick is in the fourth position; and,

FIG. 20 is a tenth image thereof, when the joystick is in the fourth position.

In a first embodiment, the appearance of the animated responsive display on a joystick sequentially transitions between images shown in FIGS. 1-11. In a second embodiment, the appearance of the animated responsive display on a joystick sequentially transitions between the images shown in FIGS. 11-20. The period in which one image transitions to another forms no part of the claimed design.

The surface lines shown between the outer circumference of the responsive display and the first set of inner broken lines depict a translucent portion of the responsive display, and the surface lines do not convey a particular surface profile, surface texture, or finish. The broken lines showing the remainder of the joystick are for environmental purposes only and form no part of the claimed design.

**1 Claim, 10 Drawing Sheets**

(58) **Field of Classification Search**

CPC ..... A63F 2009/2407; B63H 2025/026; G06T 13/00; G06T 13/80; G06F 3/04845

See application file for complete search history.

(56) **References Cited**

U.S. PATENT DOCUMENTS

5,392,388	A	2/1995	Gibson	
D357,947	S	5/1995	Richer	
D366,655	S	1/1996	Sanchez et al.	
5,515,044	A	5/1996	Glatt	
5,558,329	A	9/1996	Liu	
5,749,577	A	5/1998	Couch et al.	
5,786,807	A	7/1998	Couch et al.	
5,982,355	A	11/1999	Jaeger et al.	
6,068,554	A	5/2000	Tyler	
D428,012	S	7/2000	Cavacuiti et al.	
D444,785	S	7/2001	Whitehorn et al.	
D449,614	S	10/2001	Osborn et al.	
6,826,042	B2	11/2004	Oross et al.	
6,896,563	B1	5/2005	Dickson	
D536,343	S *	2/2007	Fong .....	D14/489
D558,767	S	1/2008	Solland	
D573,936	S	7/2008	Jin	

D598,023	S	8/2009	Miller et al.	
D599,829	S	9/2009	Jorgensen et al.	
8,060,265	B2	11/2011	Hallenstvedt et al.	
D658,184	S	4/2012	Chang et al.	
D669,497	S *	10/2012	Lee .....	D14/489
D676,457	S	2/2013	Frost	
D693,346	S	11/2013	Coulter	
D698,357	S	1/2014	Mainville et al.	
8,700,238	B2	4/2014	Hiramatsu	
D706,268	S	6/2014	Beams	
8,925,414	B1	1/2015	Park et al.	
D722,325	S	2/2015	Williams	
D723,559	S	3/2015	Hein et al.	
D724,621	S	3/2015	Rydenhag	
D727,928	S	4/2015	Allison	
D728,571	S	5/2015	Perris	
D735,722	S	8/2015	Amann	
D739,872	S	9/2015	Bang	
D741,898	S	10/2015	Soegiono	
D744,500	S	12/2015	Lee	
9,201,514	B1	12/2015	Brandt	
D750,125	S	2/2016	Yang	
D752,072	S	3/2016	Song	
D762,716	S	8/2016	Yang	
D781,327	S	3/2017	Conze	
D783,672	S	4/2017	Rajasankar	
D785,658	S	5/2017	Moroney	
D786,893	S *	5/2017	Mariet .....	D14/485
D786,898	S	5/2017	Hall	
D788,122	S	5/2017	Tada	
D789,974	S	6/2017	Guo	
D798,866	S	10/2017	Abellera	
D813,245	S *	3/2018	Mariet .....	D14/485
D851,656	S *	6/2019	Robert .....	D14/485
2006/0180070	A1	8/2006	Mizutani	
2006/0217012	A1	9/2006	Mizutani	
2007/0244639	A1	10/2007	Butterworth et al.	
2008/0288093	A1	11/2008	Kamenster et al.	
2008/0308400	A1	12/2008	States et al.	
2009/0055003	A1	2/2009	Tunick et al.	
2010/0151750	A1	6/2010	Ito	
2011/0172858	A1	7/2011	Gustin	
2011/0279370	A1	11/2011	Wang et al.	
2013/0072076	A1	3/2013	Pellegrinetti et al.	
2013/0312651	A1	11/2013	Gai	
2014/0352595	A1	12/2014	Yuet	
2016/0267945	A1	9/2016	Daishaku	
2018/0314416	A1 *	11/2018	Powderly .....	G06F 3/04883
2020/0247518	A1 *	8/2020	Dannenberg .....	G05D 1/0206

OTHER PUBLICATIONS

Joystick driving—EVC Options: Volvo Penta, [http://volvopenta.com/volvopenta/east\\_europe/en-ee/marine\\_leisure\\_engines/accessories](http://volvopenta.com/volvopenta/east_europe/en-ee/marine_leisure_engines/accessories), website visited Jun. 10, 2015.  
 SeaStar Solutions, Optimus 360 Joystick Control System, <http://www.seastarsolutions.com/products/electronic-power-steering/optimus-360-outboard>, website visited Jun. 10, 2015.

\* cited by examiner



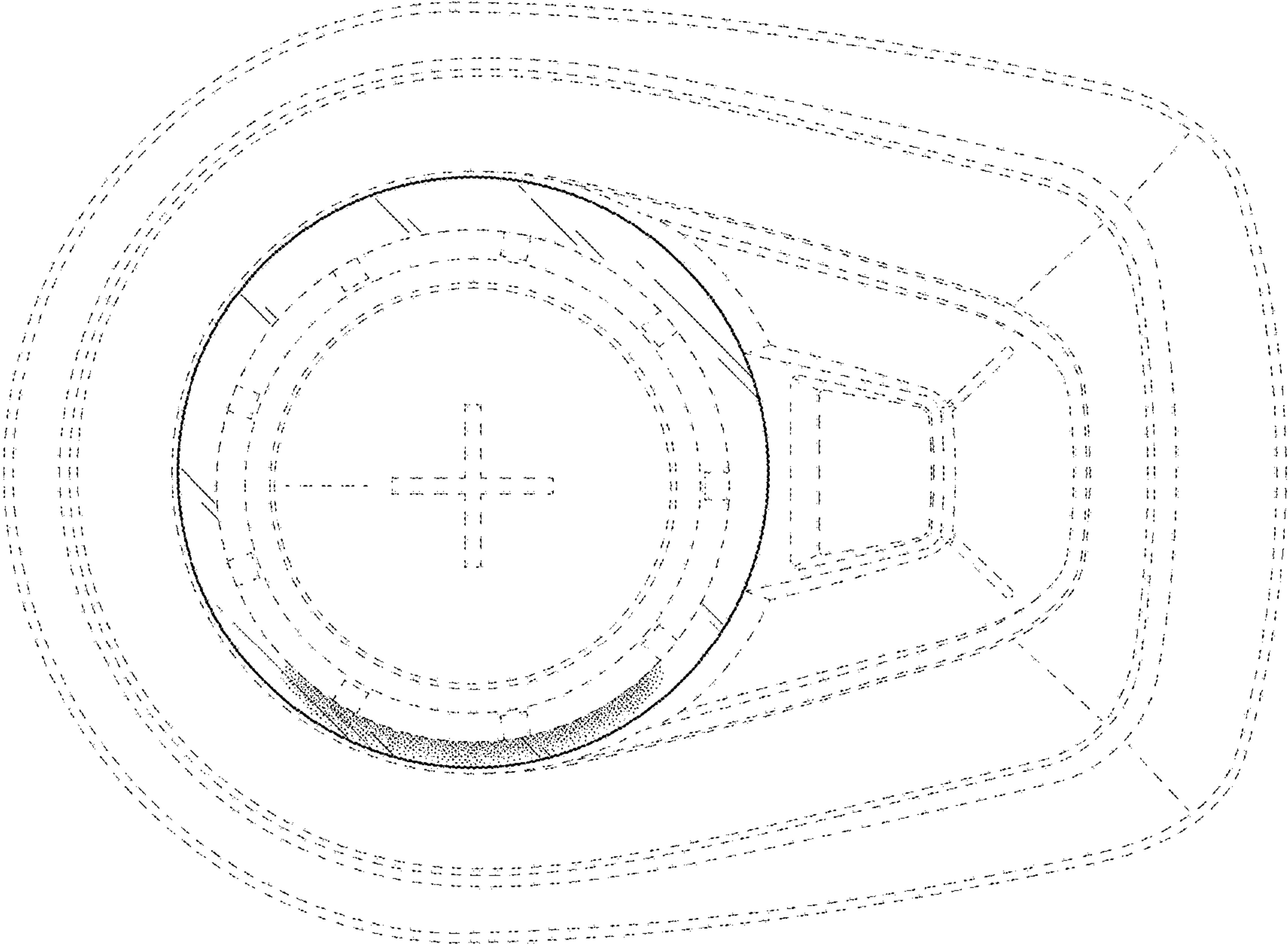


FIG. 1

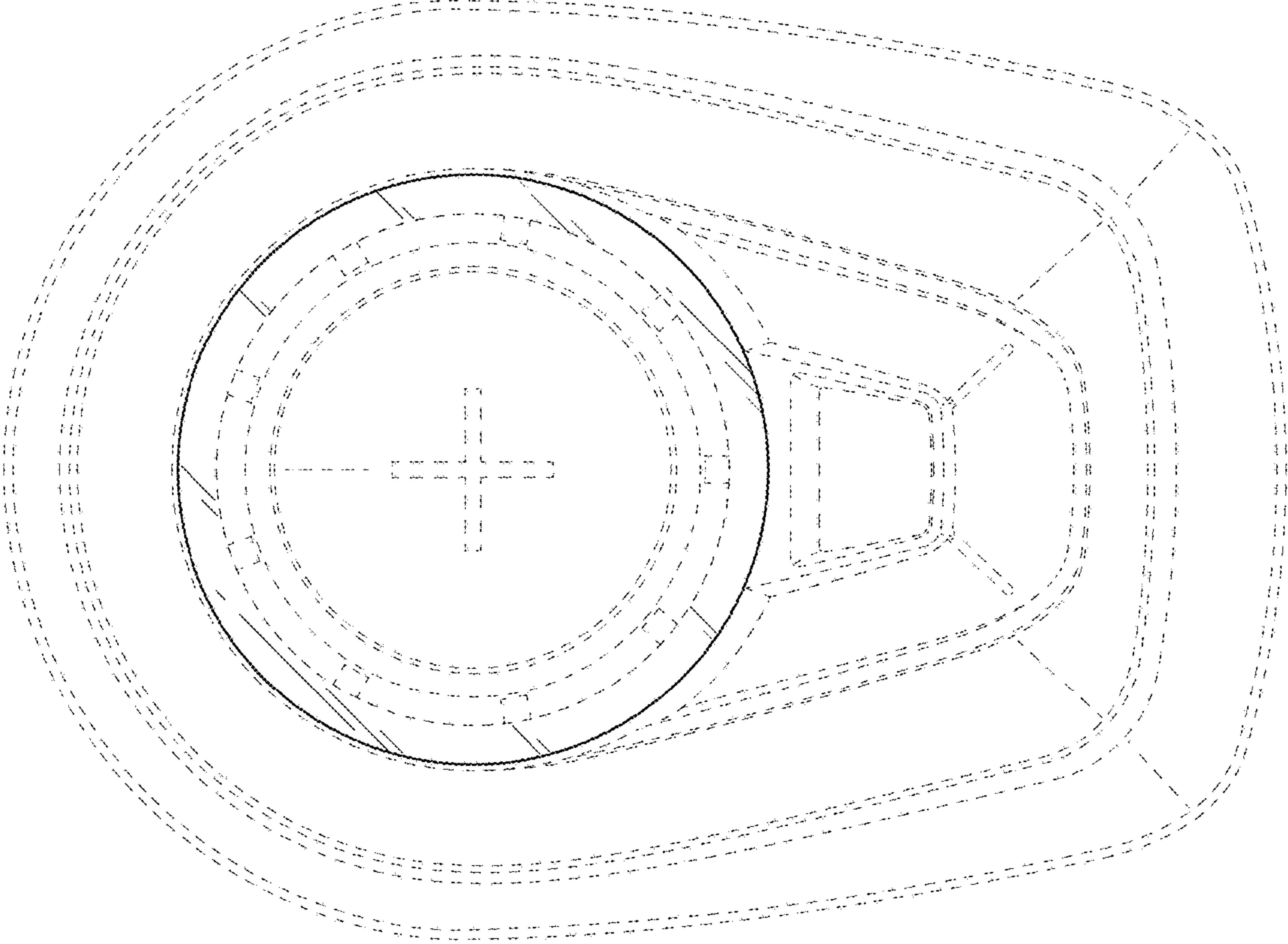


FIG. 2

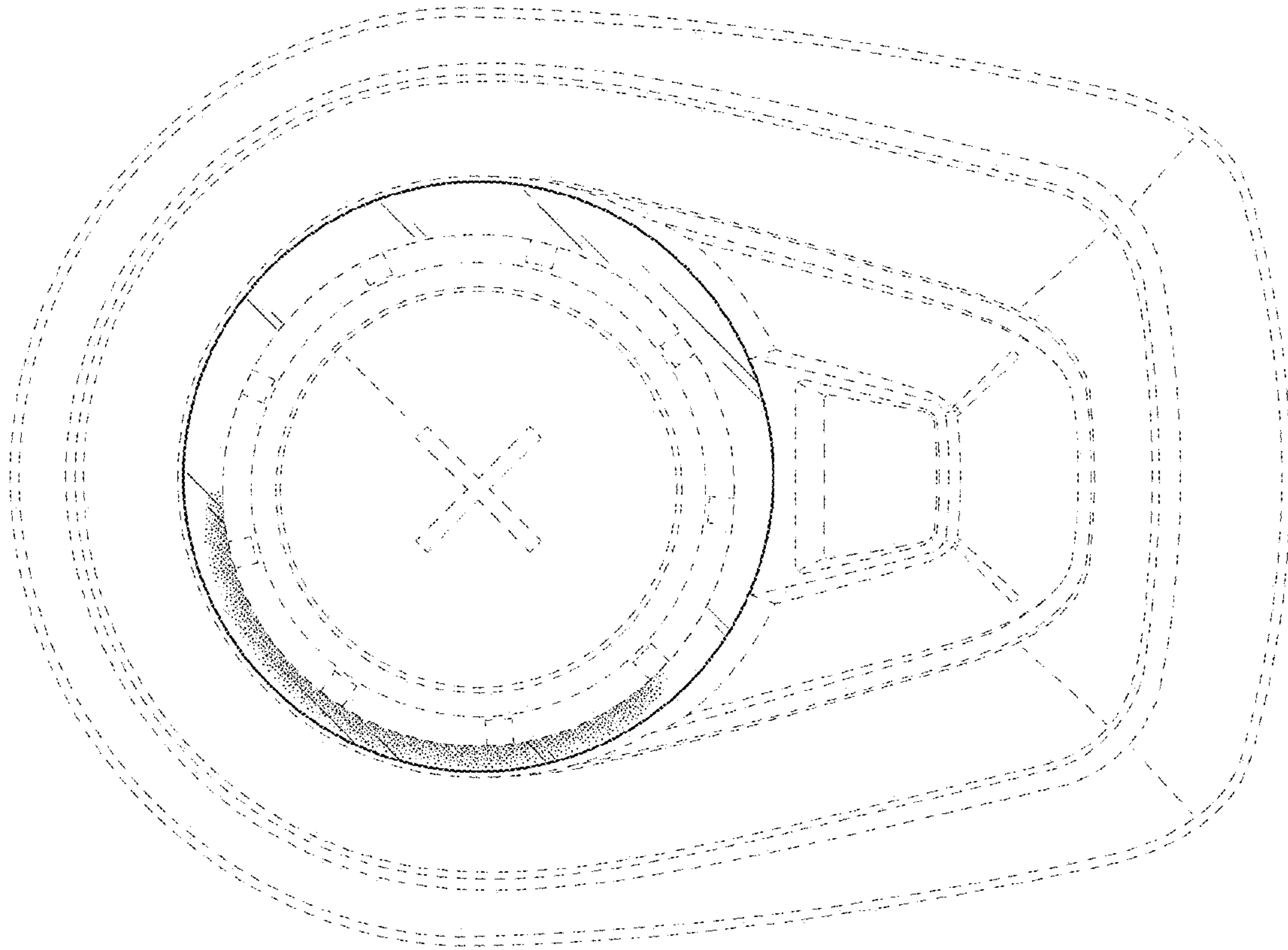


FIG. 4

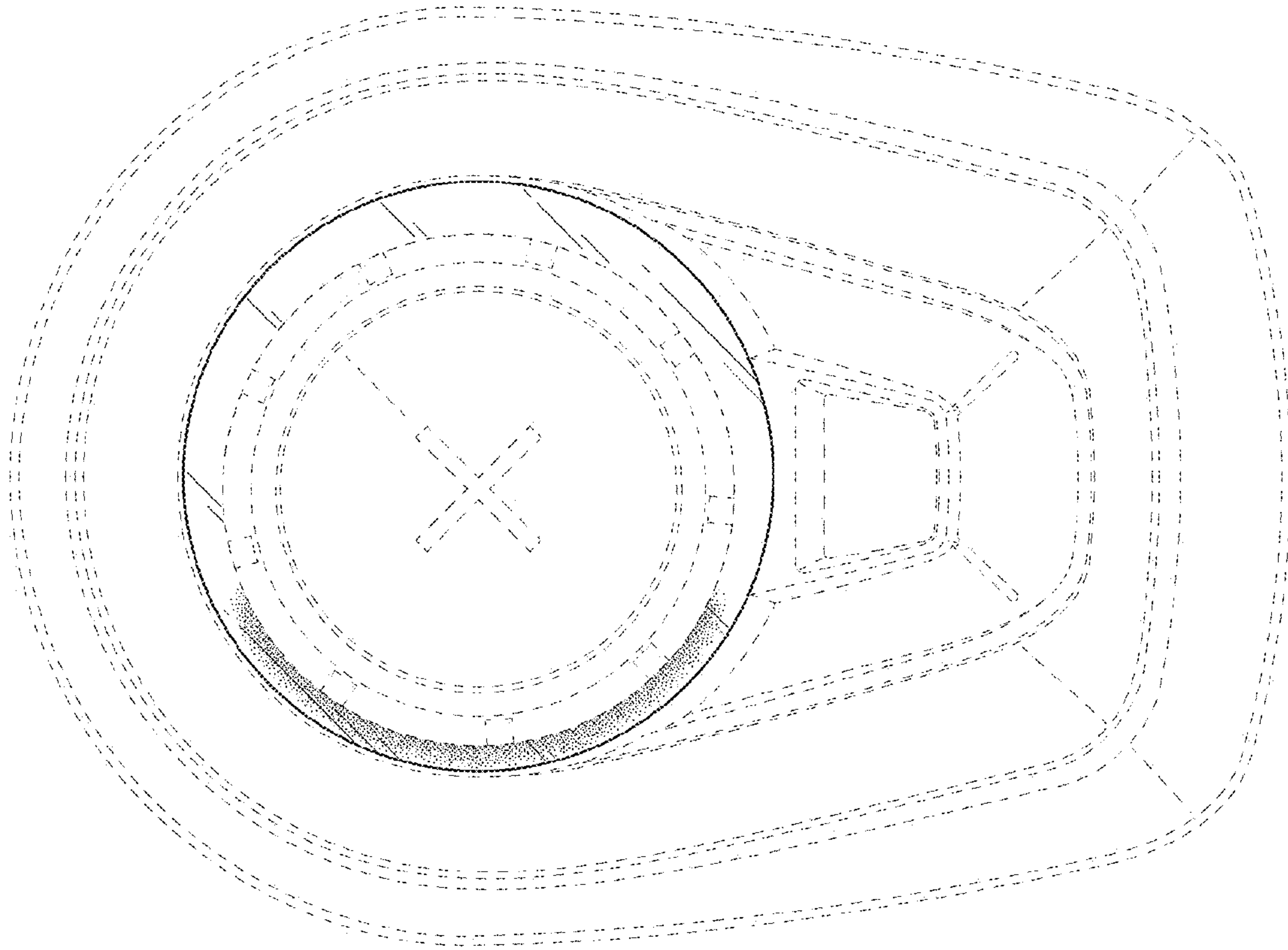


FIG. 3

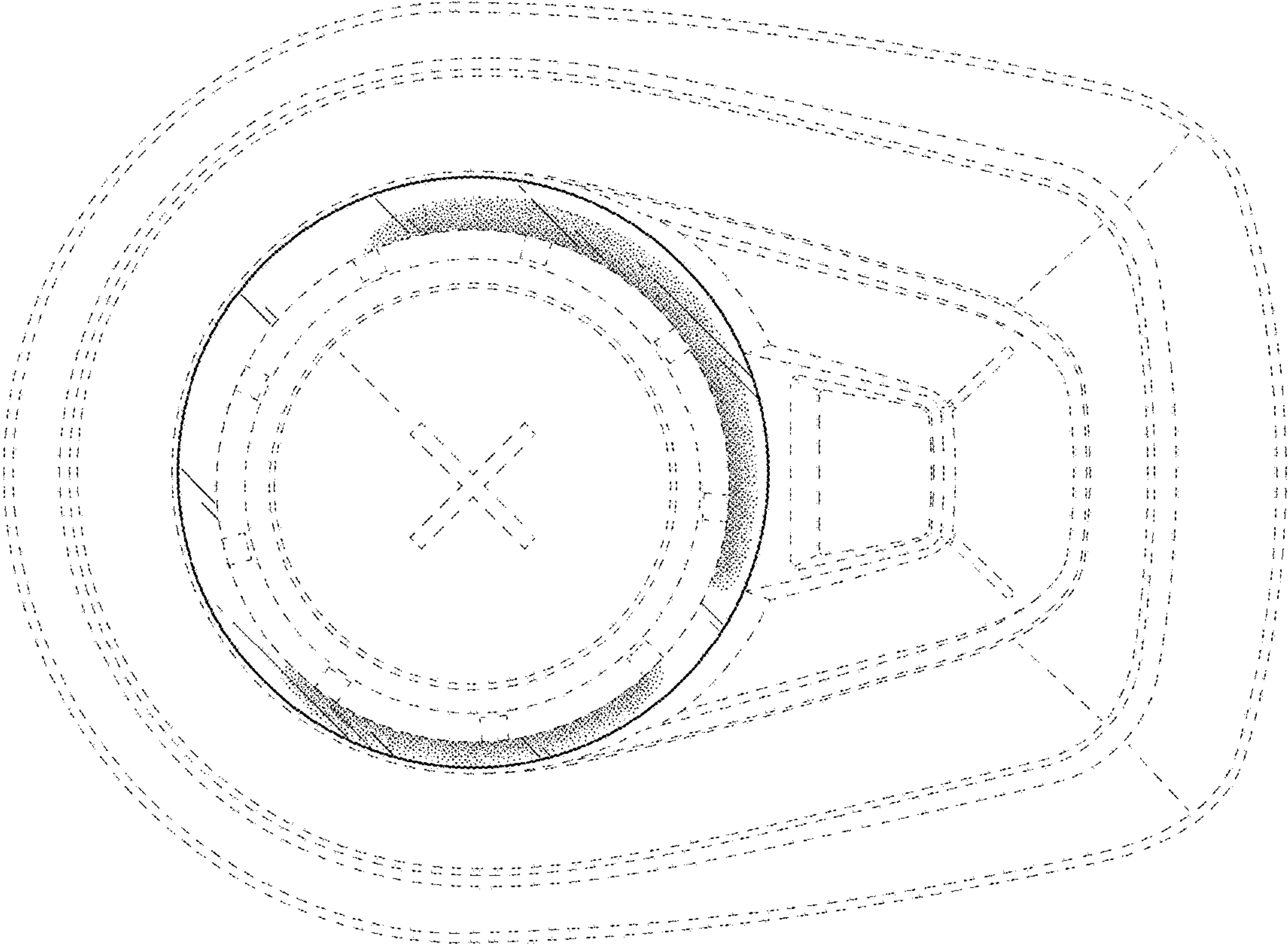


FIG. 5

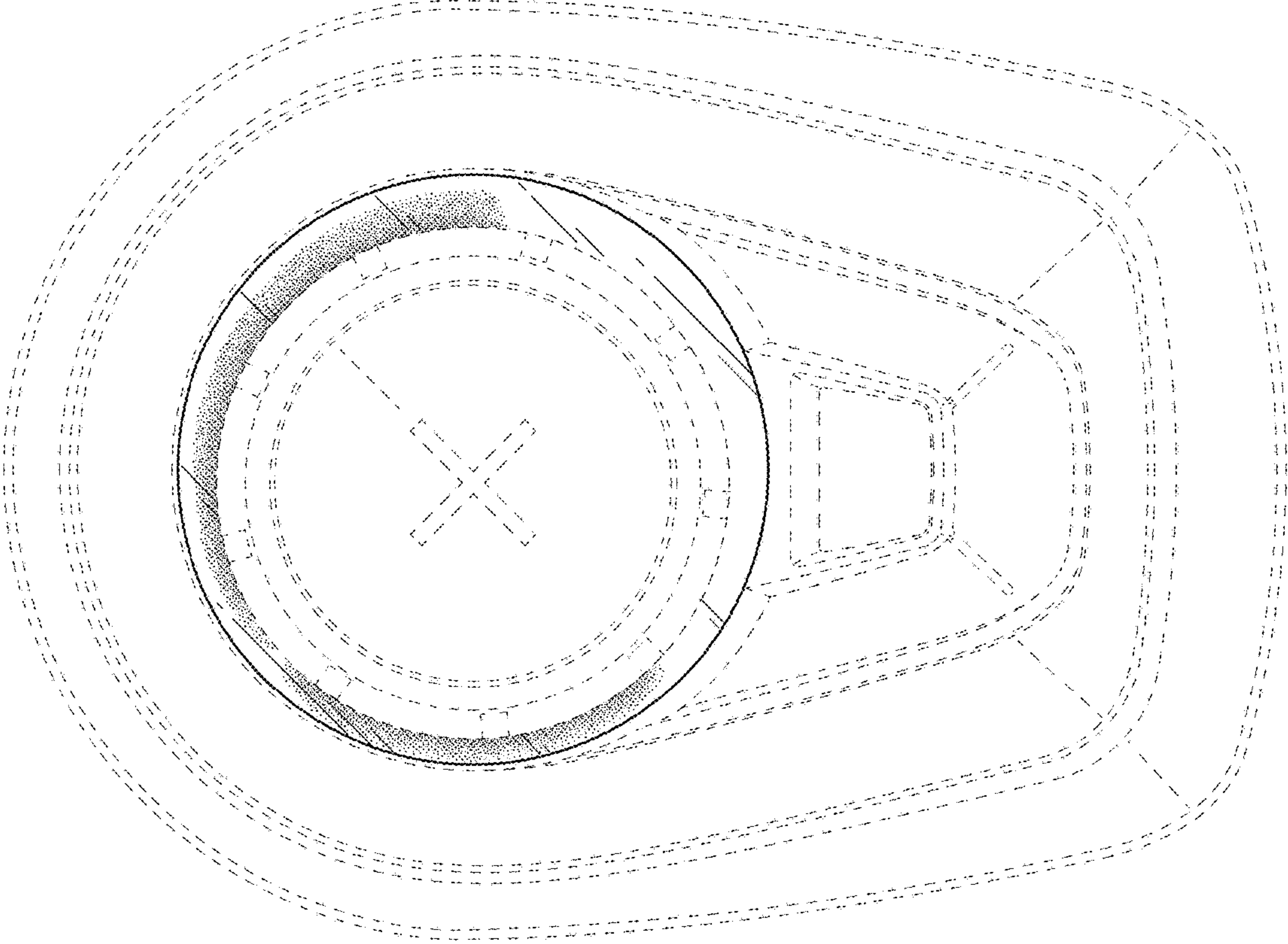


FIG. 6



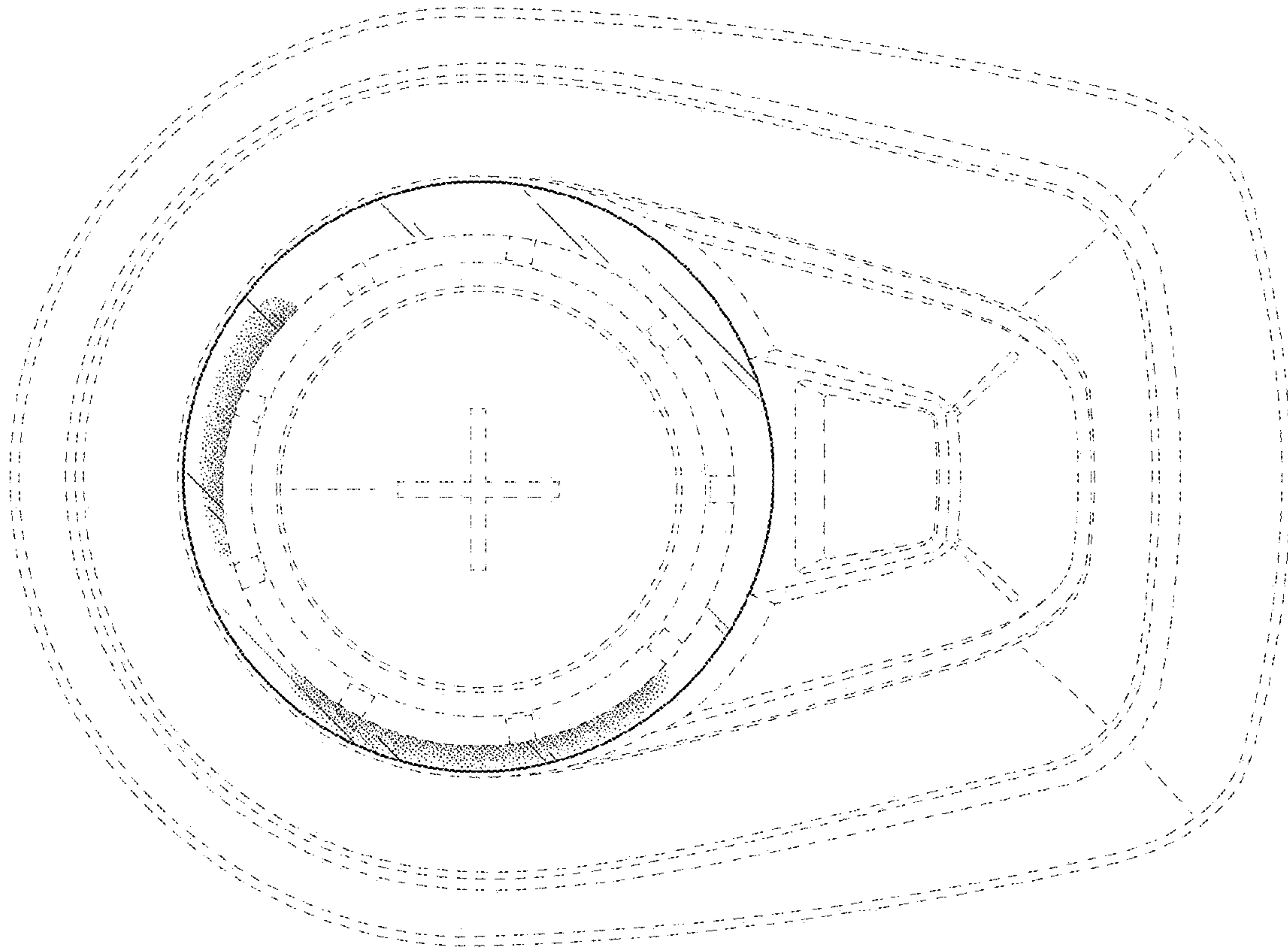


FIG. 8

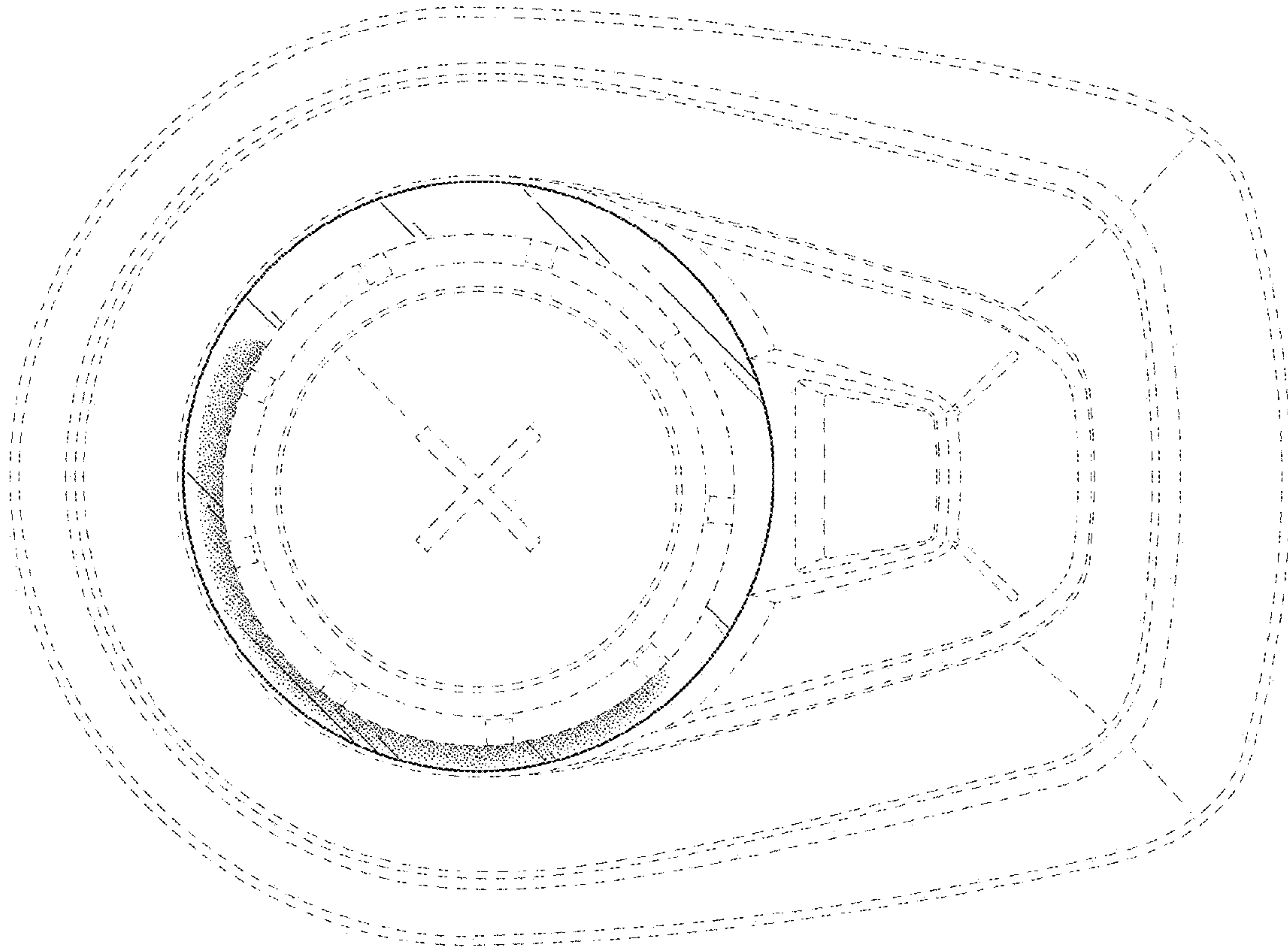


FIG. 7

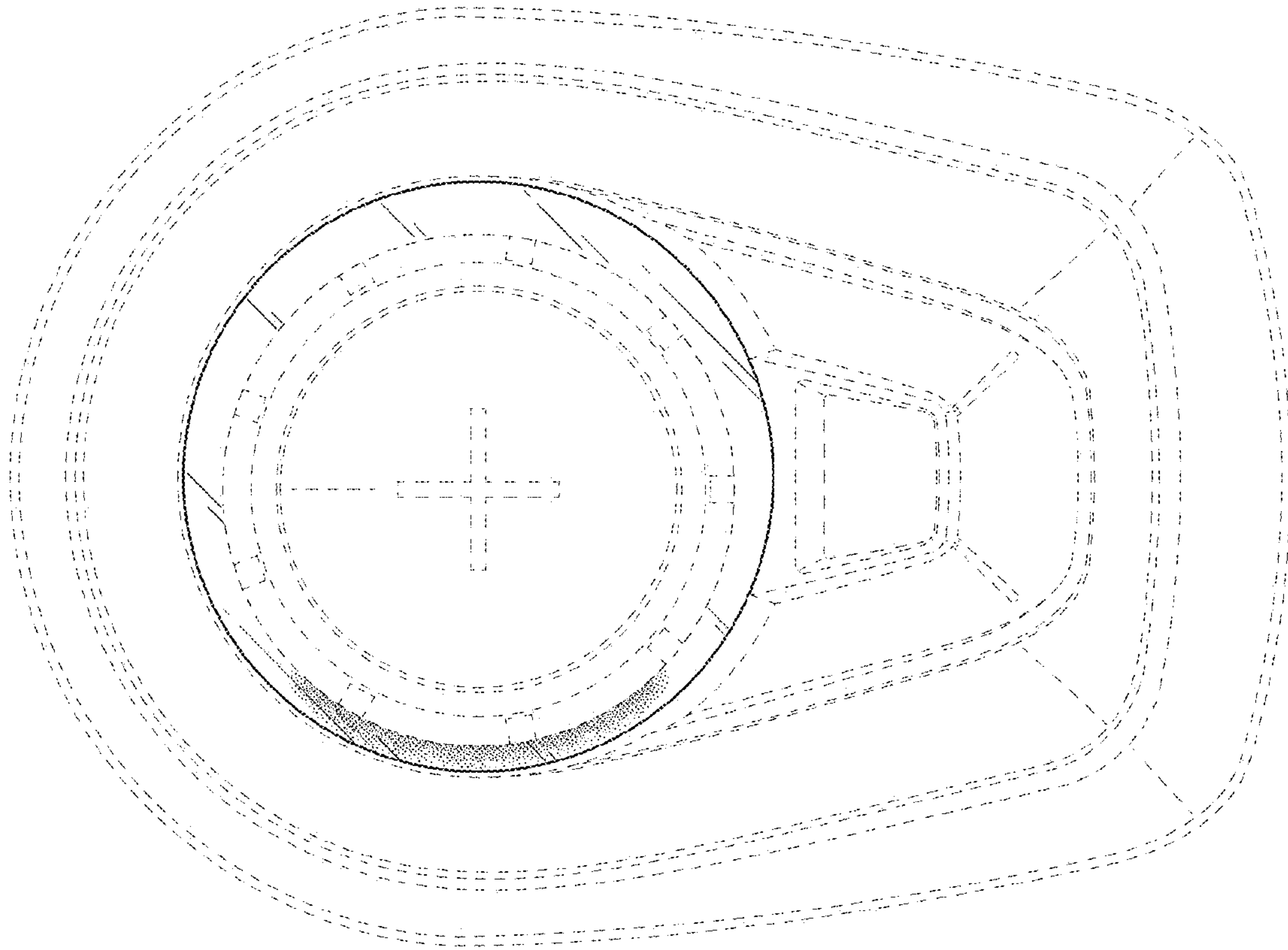


FIG. 9

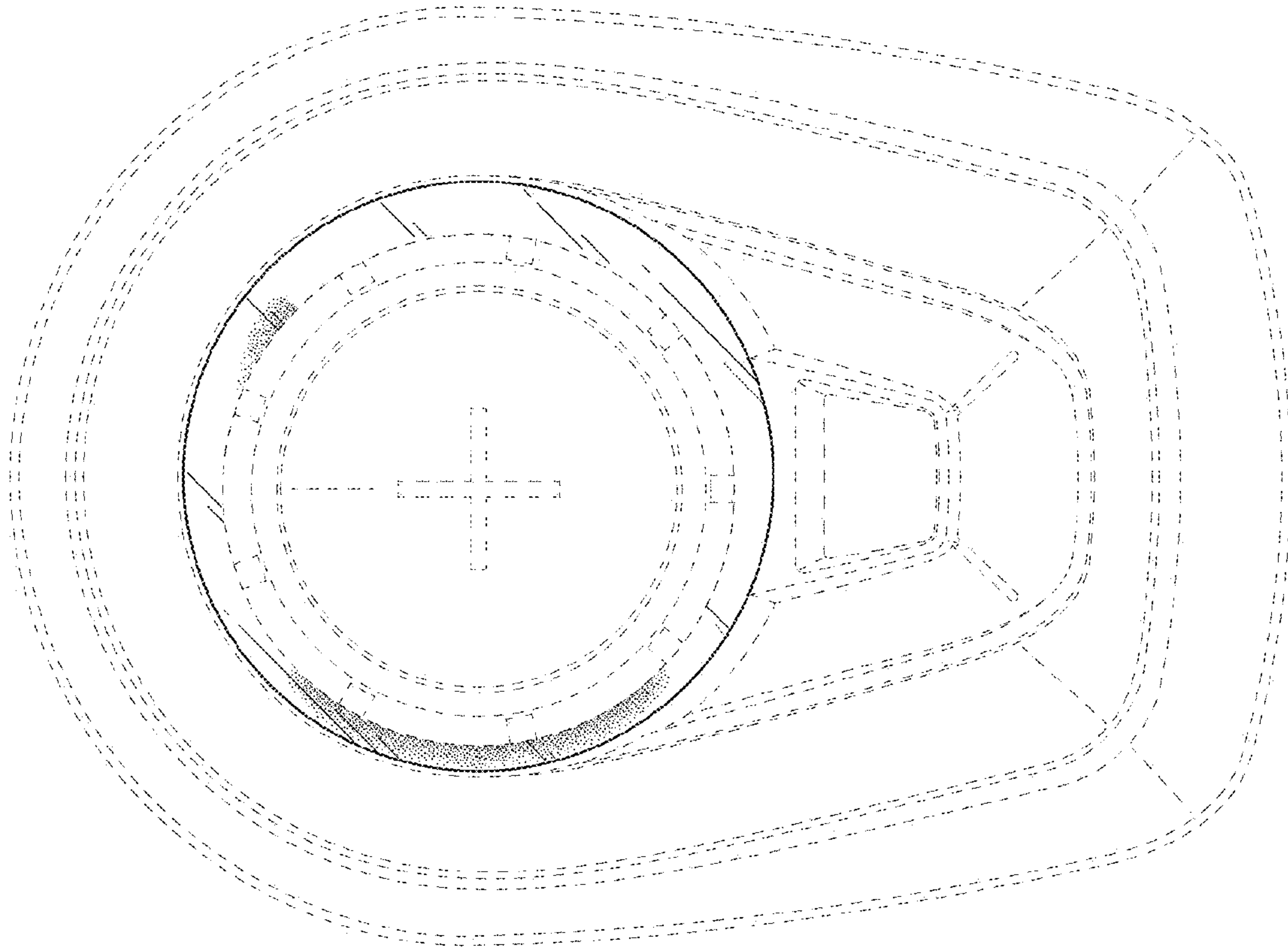


FIG. 10

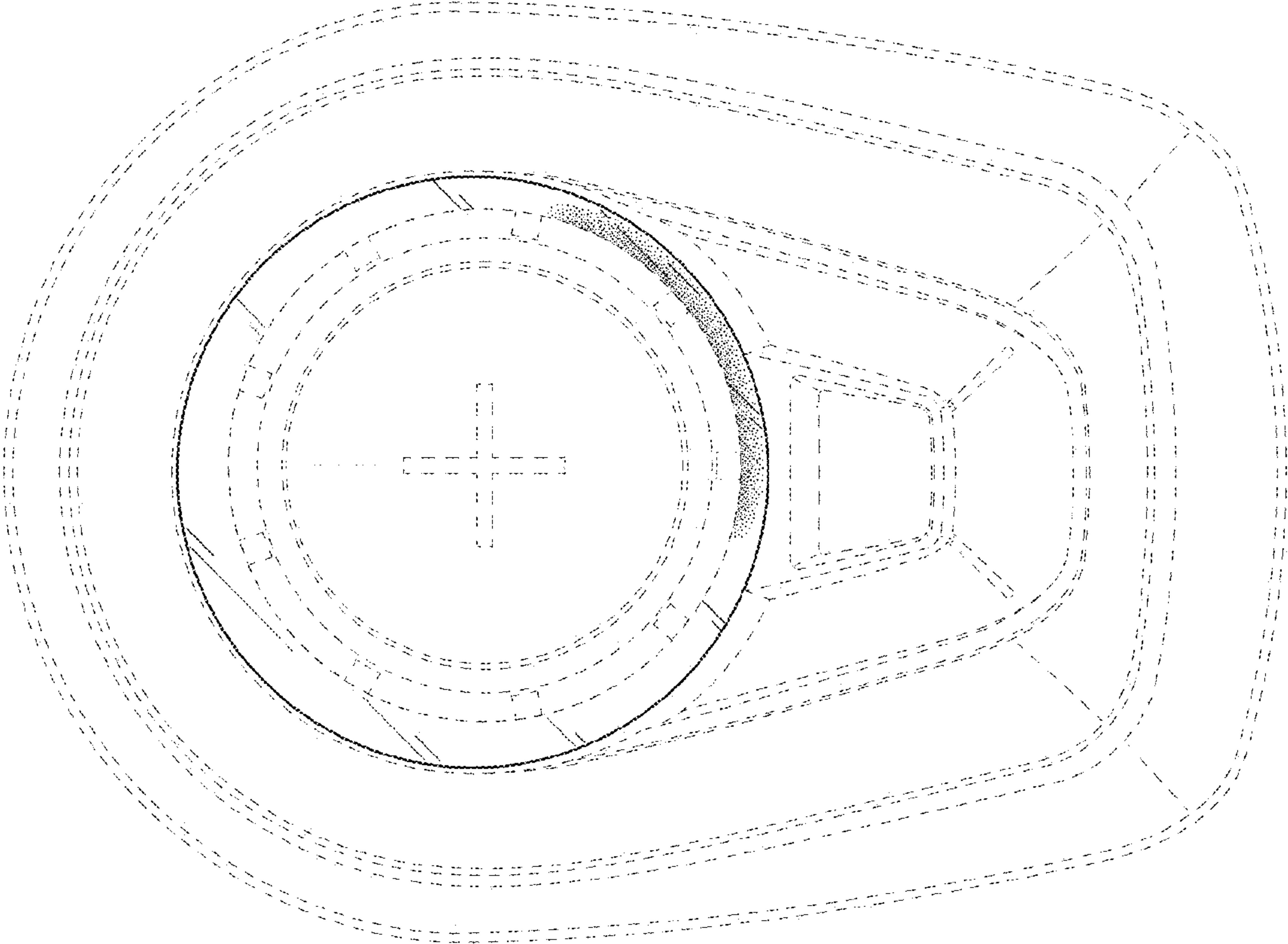


FIG. 11

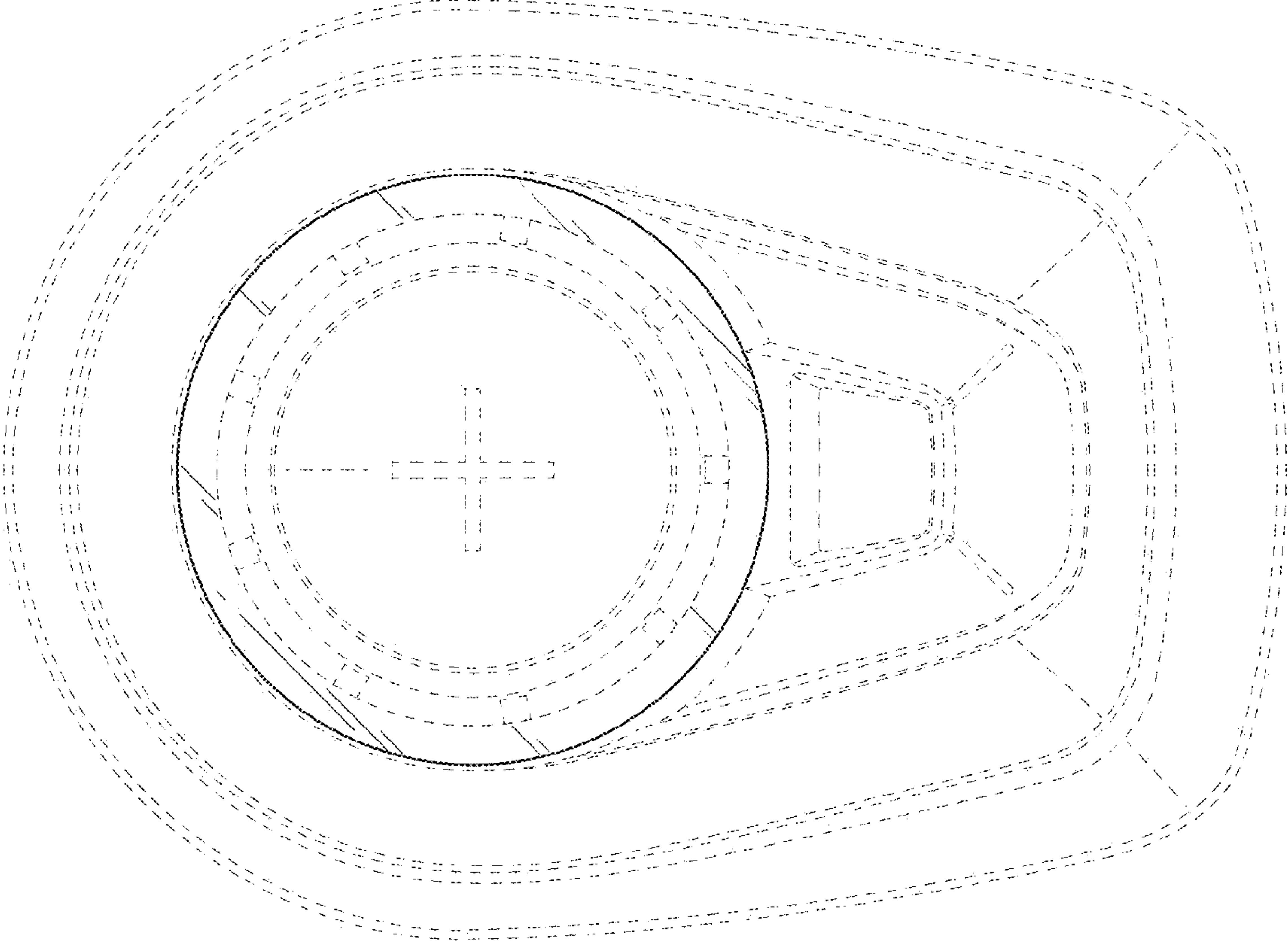


FIG. 12



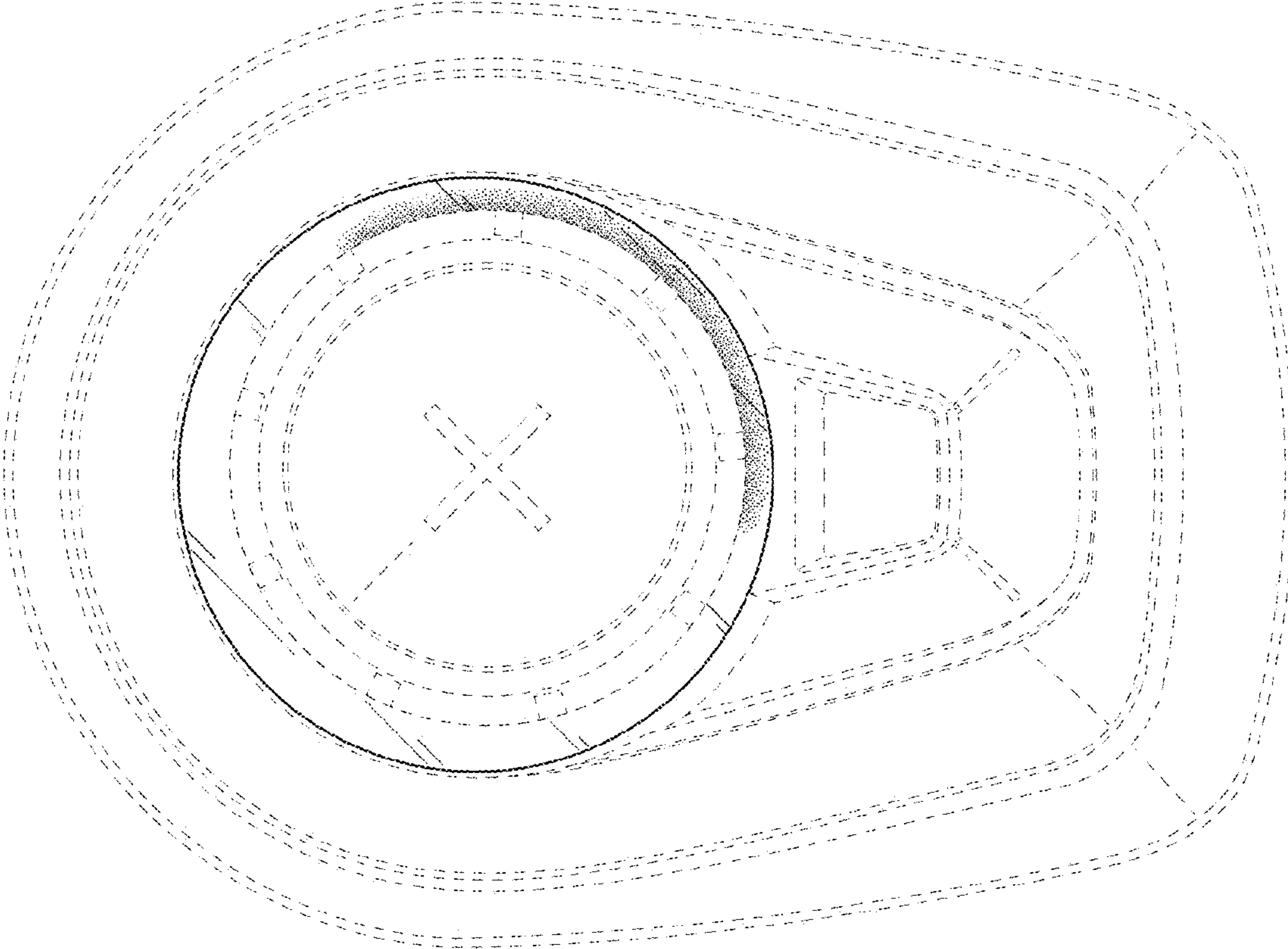


FIG. 13

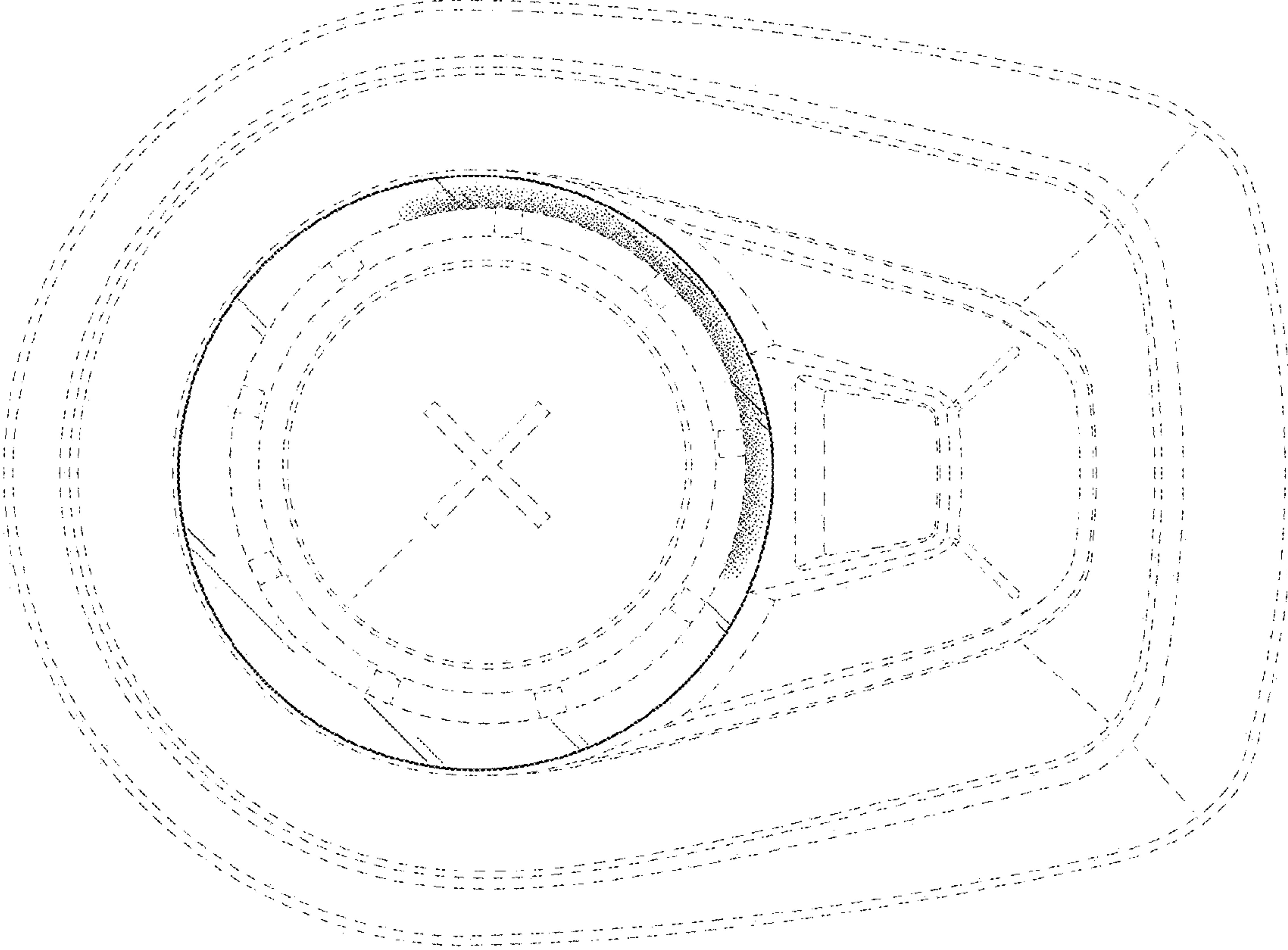


FIG. 14

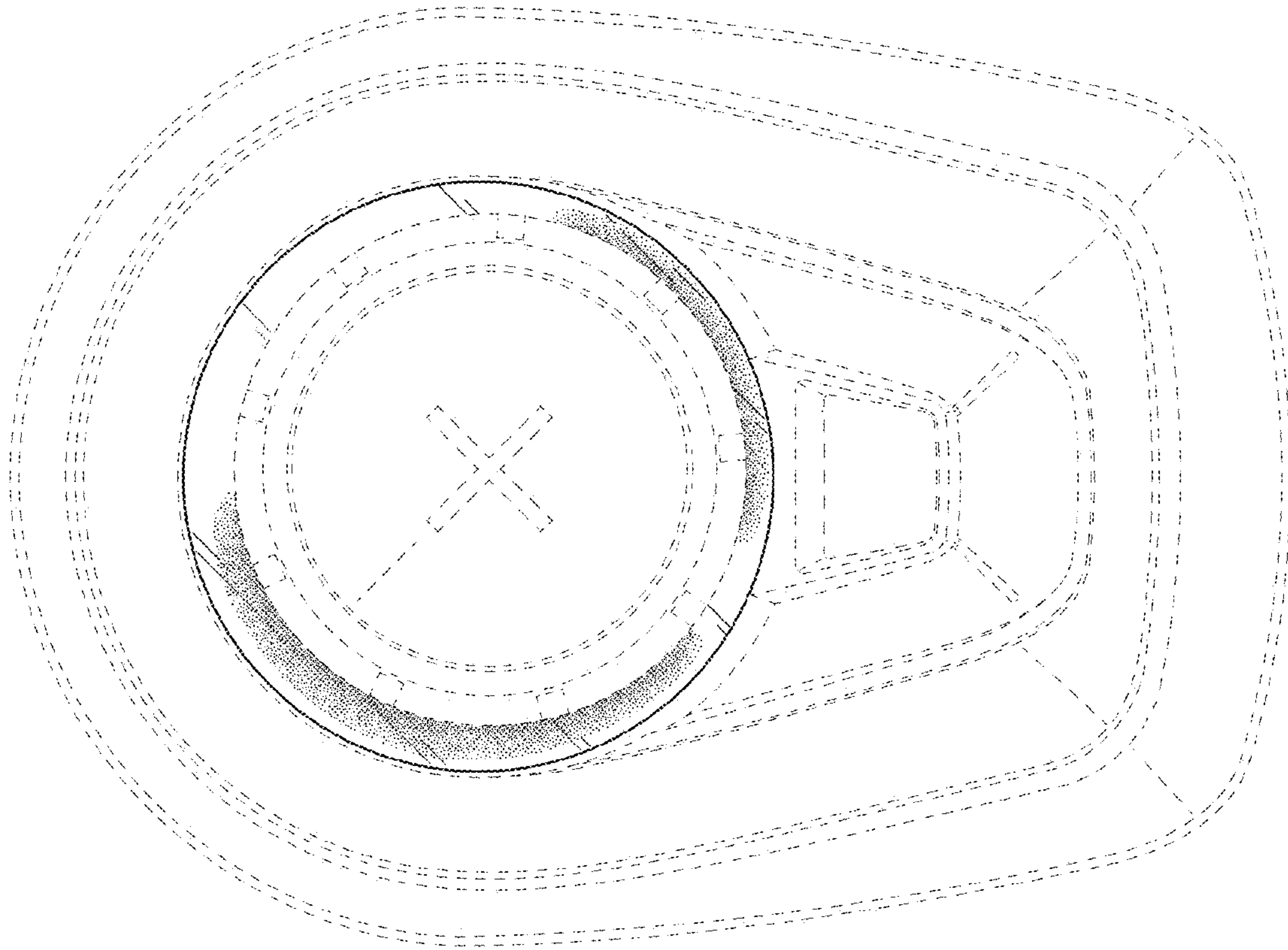


FIG. 16

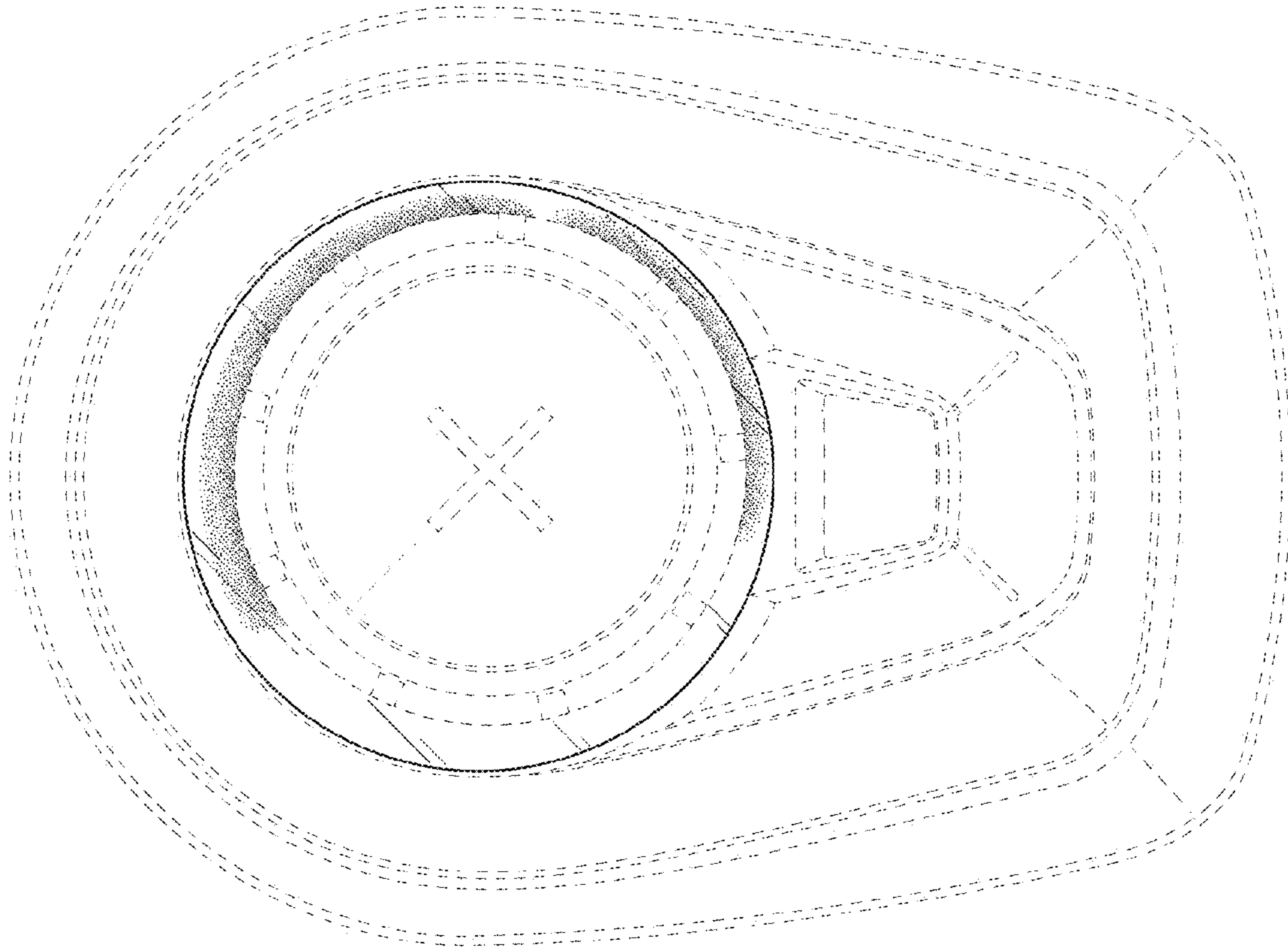


FIG. 15



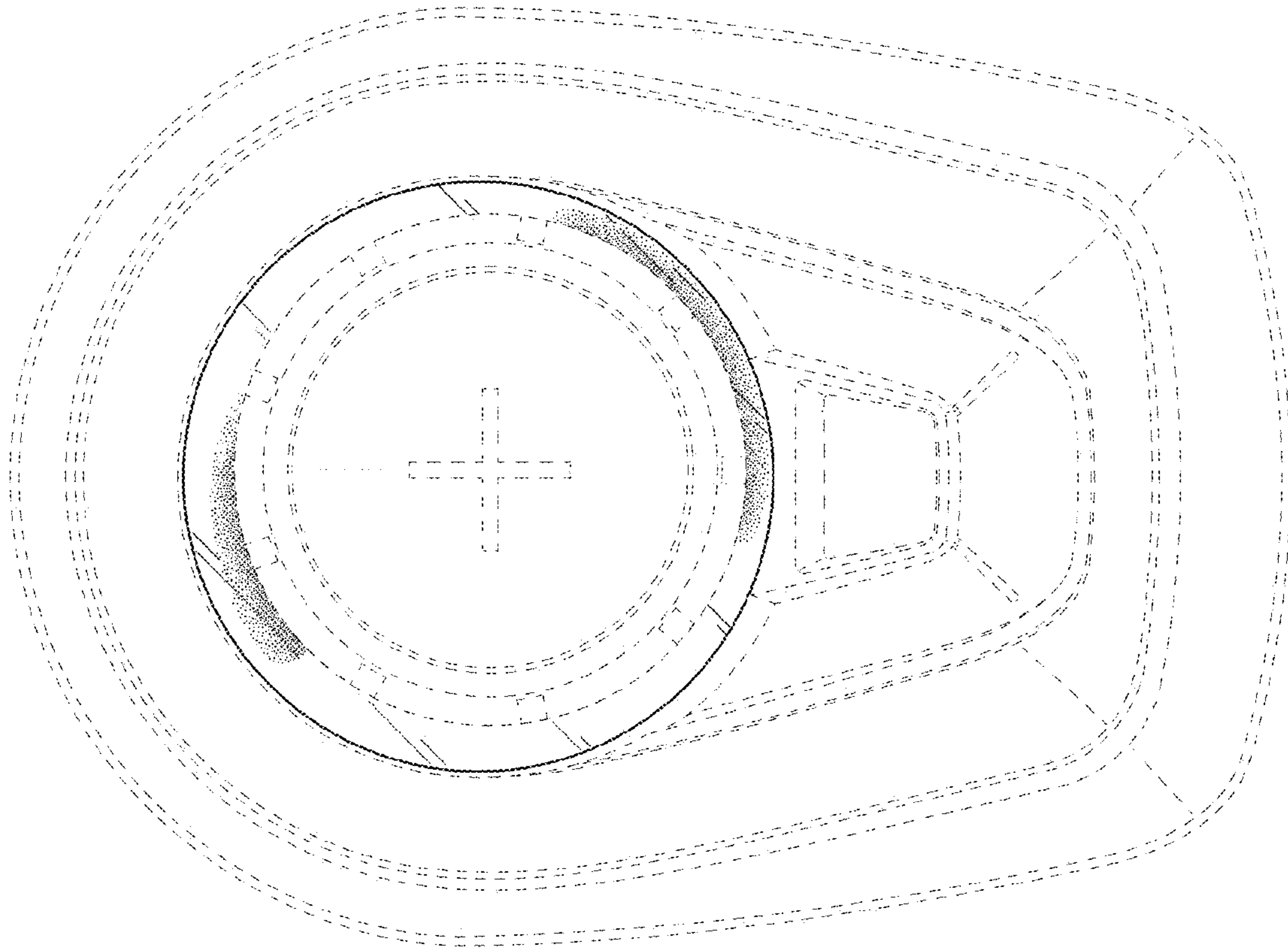


FIG. 17

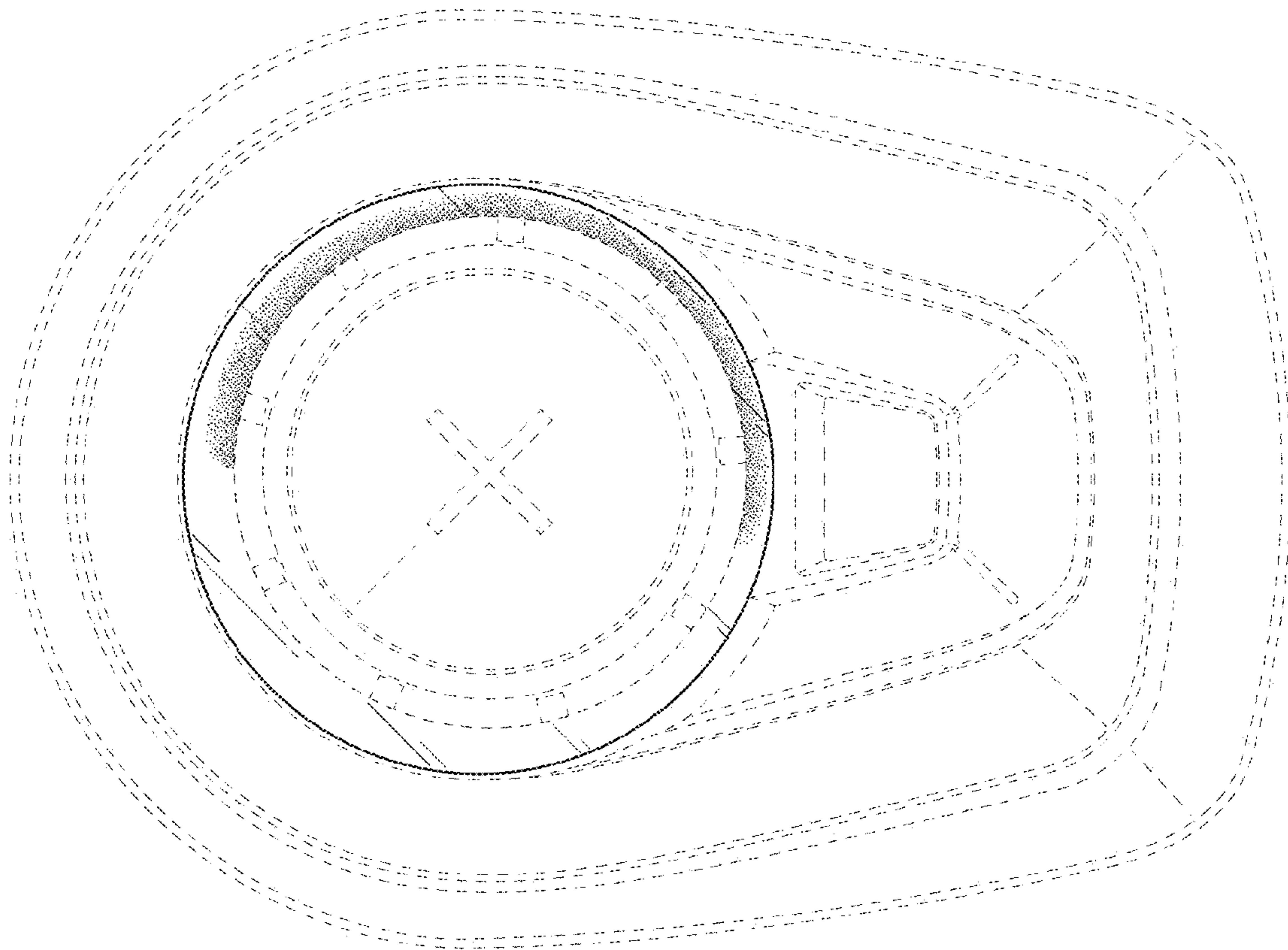


FIG. 18

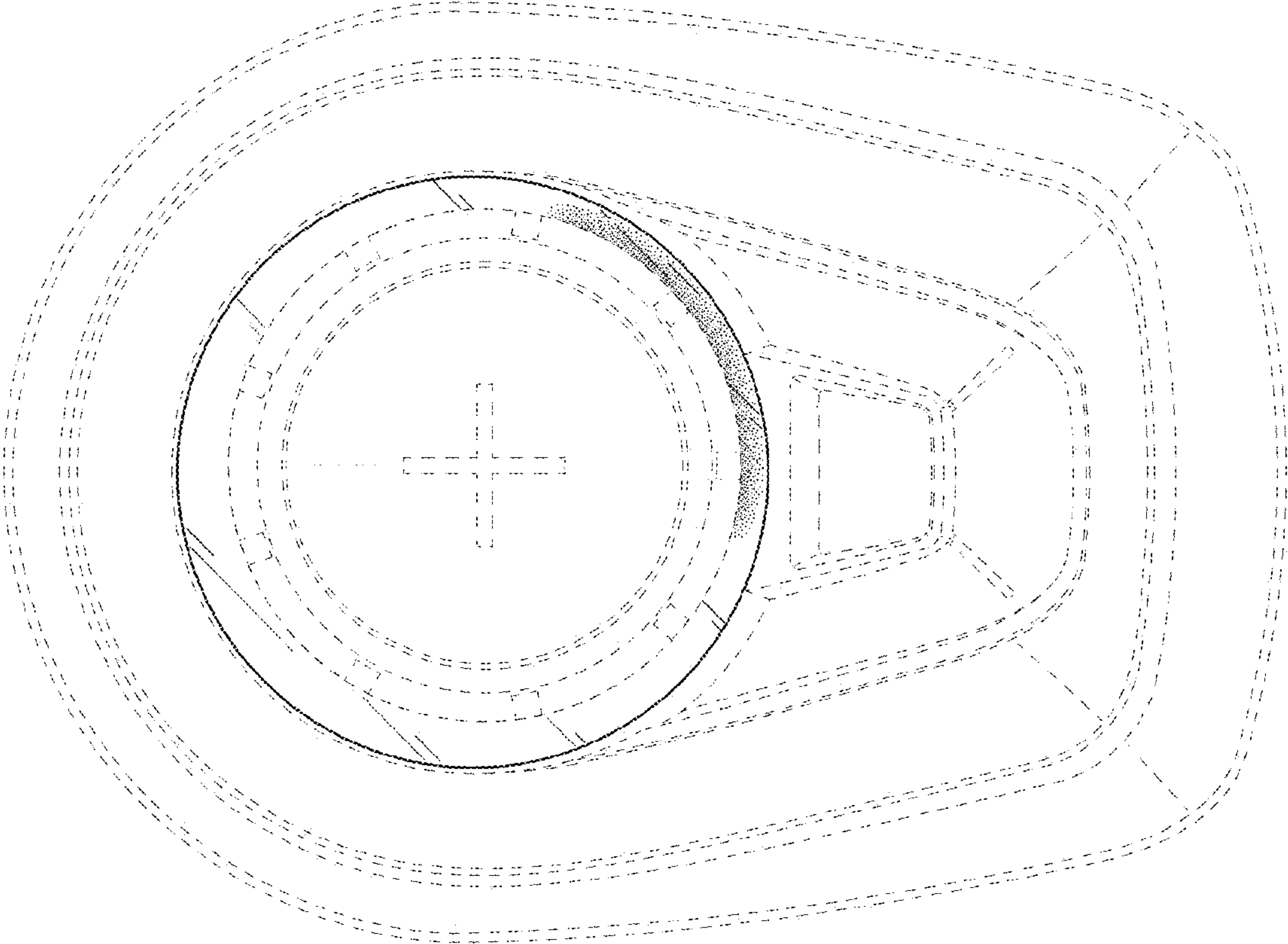


FIG. 19

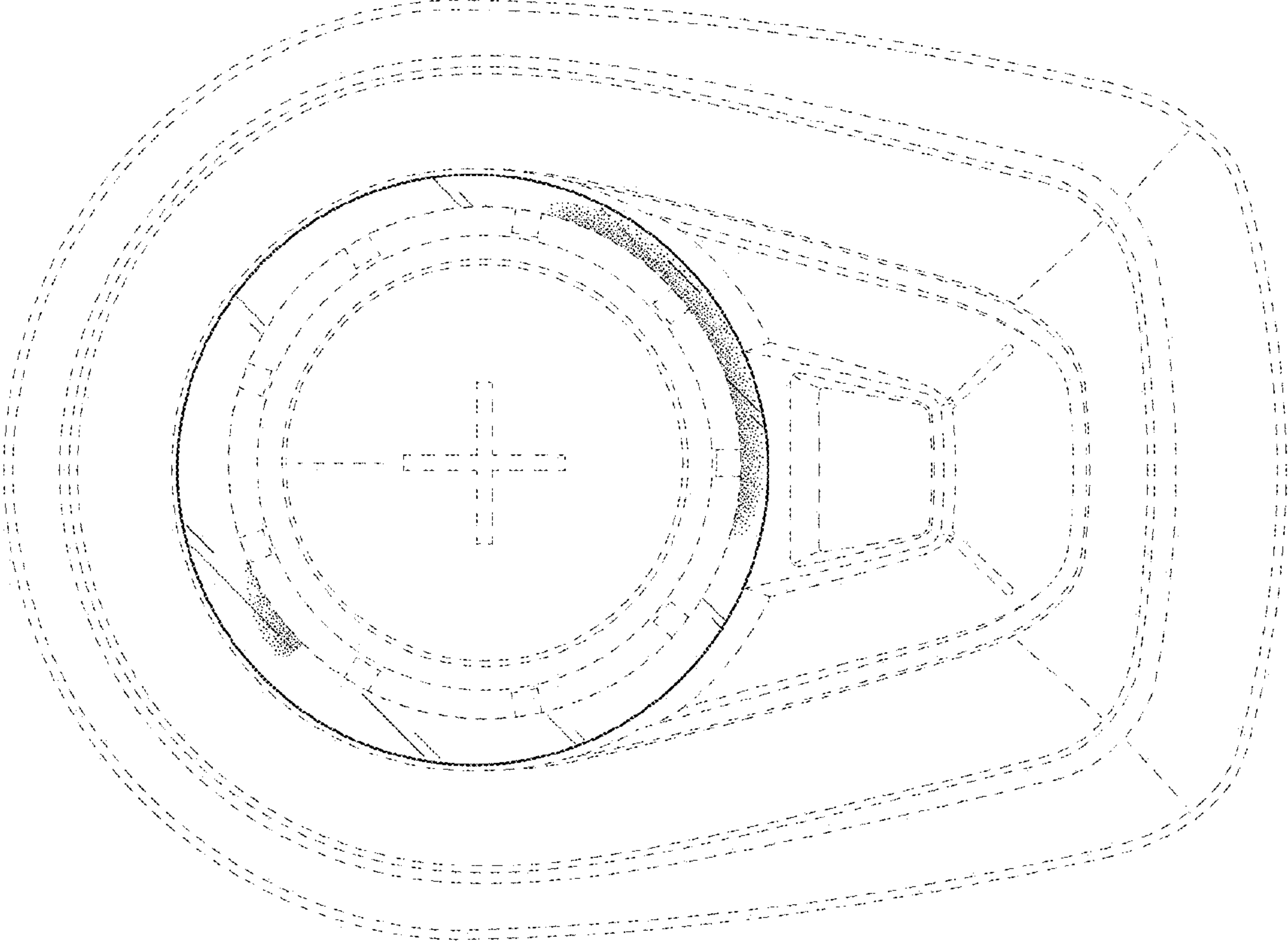


FIG. 20