



US00D908118S

(12) **United States Design Patent**
Lu

(10) **Patent No.:** **US D908,118 S**
(45) **Date of Patent:** **** Jan. 19, 2021**

- (54) **MOBILE PHONE CASE**
- (71) Applicant: **Chenhui Lu**, Zhoukou (CN)
- (72) Inventor: **Chenhui Lu**, Zhoukou (CN)
- (**) Term: **15 Years**
- (21) Appl. No.: **29/698,734**
- (22) Filed: **Jul. 19, 2019**
- (51) **LOC (13) Cl.** **14-03**
- (52) **U.S. Cl.**
USPC **D14/250**; D3/249
- (58) **Field of Classification Search**
USPC D14/217, 238.1, 240, 248, 250, 251–253,
D14/439, 440, 447; D13/107–108, 103,
D13/119; D3/201, 218, 247, 269, 273,
D3/301, 303, 249
CPC H04B 1/3888; H04M 1/0283;
H04M 1/0202; A45C 1/06; A45C 11/00;
A45C 13/02; A45C 2011/002; A45F
2005/026; A45F 2200/0525; A45F
2200/0516
See application file for complete search history.

(56) **References Cited**

U.S. PATENT DOCUMENTS

- D582,405 S * 12/2008 Andre D3/299
- D710,838 S * 8/2014 Song D14/250
- D723,038 S * 2/2015 Kim D14/440
- D759,966 S * 6/2016 Pignotti D3/247
- D777,421 S * 1/2017 Grote D3/218
- D780,163 S * 2/2017 Fathollahi D14/250
- D794,627 S * 8/2017 Roberts D14/250
- D795,826 S * 8/2017 Yoon D14/138 AB
- D809,497 S * 2/2018 Kim D14/250
- D816,987 S * 5/2018 Grote D3/218
- D827,629 S * 9/2018 Yu D14/250
- D845,291 S * 4/2019 Rossi D14/250

- D891,416 S * 7/2020 Yu D14/250
- D895,629 S * 9/2020 Li D14/440
- 2015/0194998 A1* 7/2015 Fathollahi H04B 1/3877
455/575.8

OTHER PUBLICATIONS

“iPhone Xs iPhone X Wallet Case with Card Holder,OT ONETOP Premium PU Leather Kickstand Card Slots Case, [. . .]” [online]. OT ONETOP. [Date first available on Aug. 17, 2017]. Retrieved from the Internet: <https://www.amazon.com/OT-ONETOP-Kickstand-Magnetic-Shockproof/dp/B076HT4ZWL/>.*

(Continued)

Primary Examiner — Mojtaba Tehrani

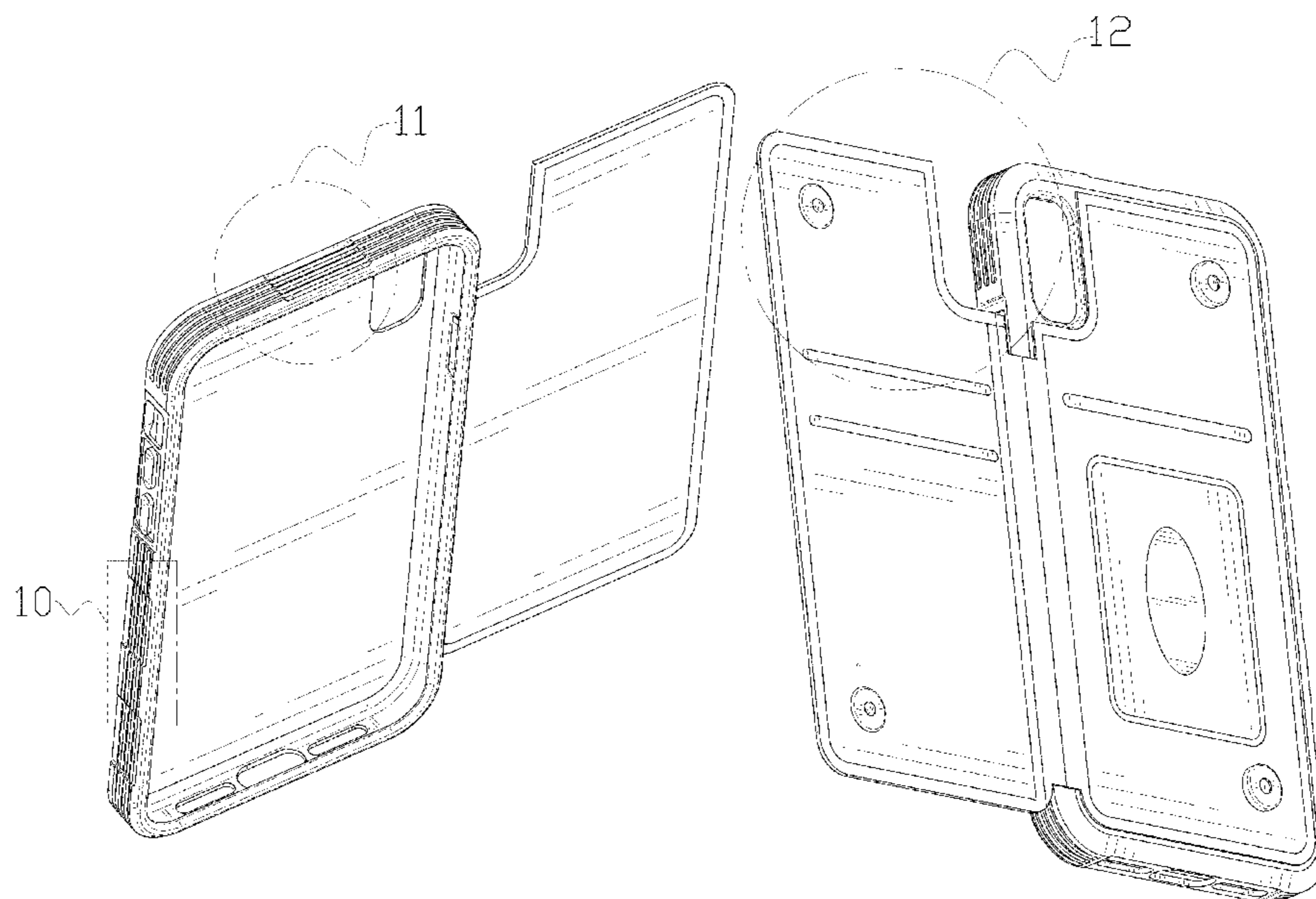
(57) **CLAIM**

The ornamental design for a mobile phone case, as shown and described.

DESCRIPTION

FIG. 1 is a perspective view of a mobile phone case showing my new design;
 FIG. 2 is another perspective view thereof;
 FIG. 3 is a front elevational view thereof;
 FIG. 4 is a rear elevational view thereof;
 FIG. 5 is a left side elevational view thereof;
 FIG. 6 is a right side elevational view thereof;
 FIG. 7 is a top plan view thereof;
 FIG. 8 is a bottom plan view thereof;
 FIG. 9 is a perspective view of the mobile phone case where the mobile phone case is in a close state;
 FIG. 10 is an enlarge view of portion 10 shown in FIG. 1;
 FIG. 11 is an enlarge view of portion 11 shown in FIG. 1; and,
 FIG. 12 is an enlarge view of portion 12 shown in FIG. 2.
 The dash-dot broken lines in FIGS. 1, 2, 10, 11, and 12 disclose the boundary of the enlarged views and form no part of the claimed design.

1 Claim, 12 Drawing Sheets



(56)

References Cited

OTHER PUBLICATIONS

“iPhone Xs Max Wallet Case with Credit Card Holder, KIHUWEY Leather Kickstand Durable Shockproof [. . .]” [online]. KIHUWEY. [Date first available on Sep. 28, 2018]. Retrieved from the Internet: <<https://www.amazon.com/dp/B07HRRDSMP/>>.*

* cited by examiner

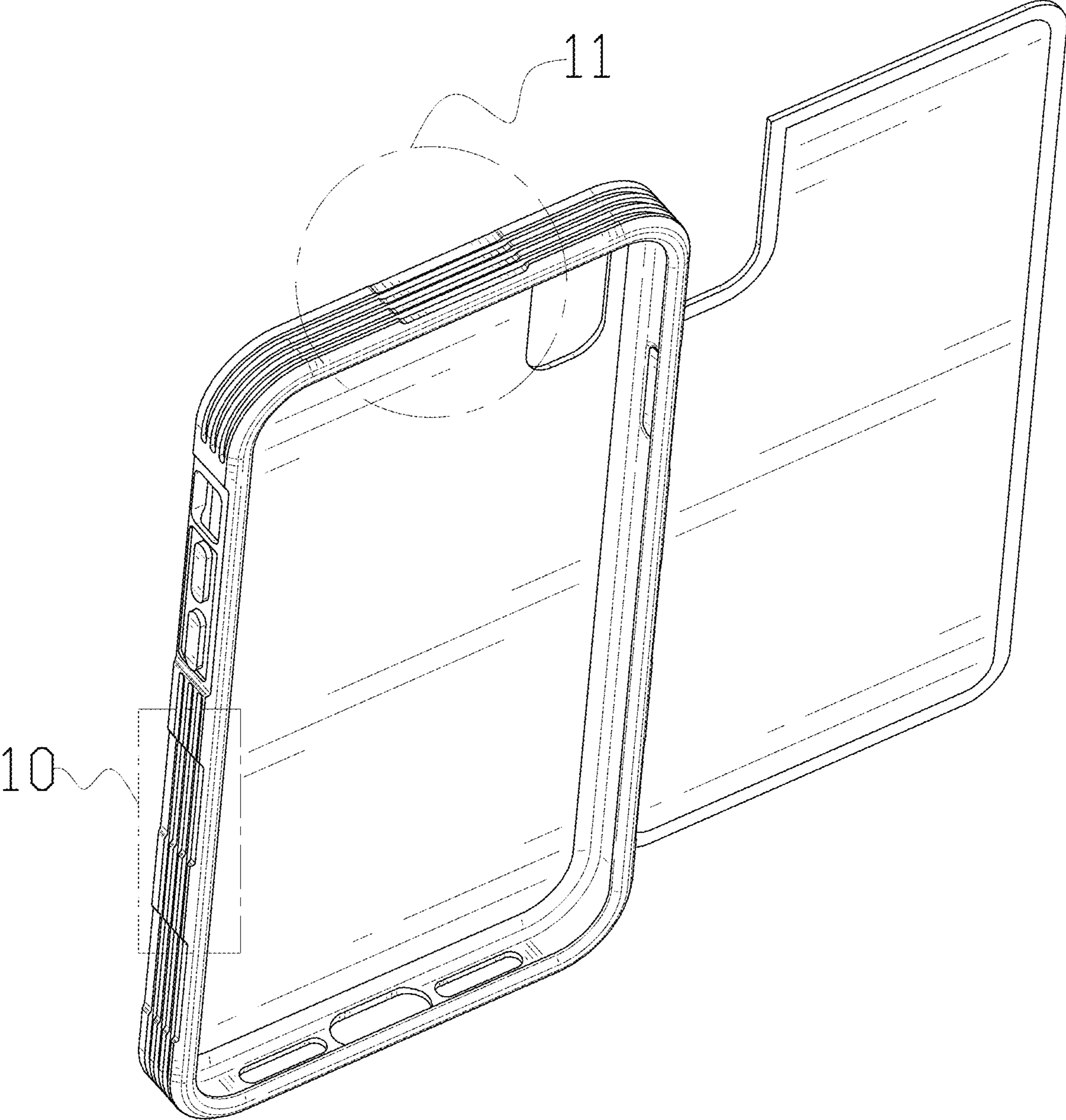


FIG. 1

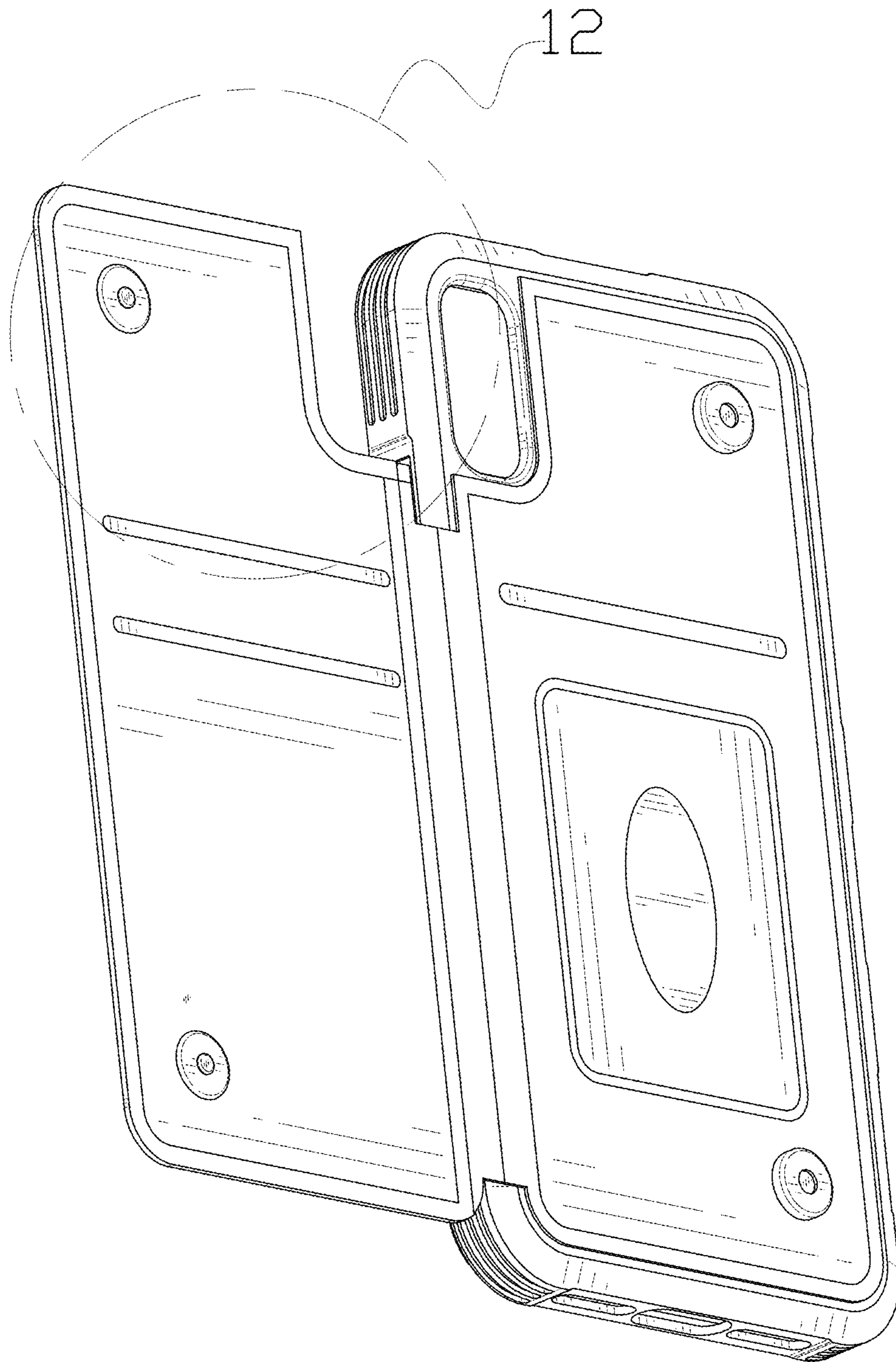


FIG. 2

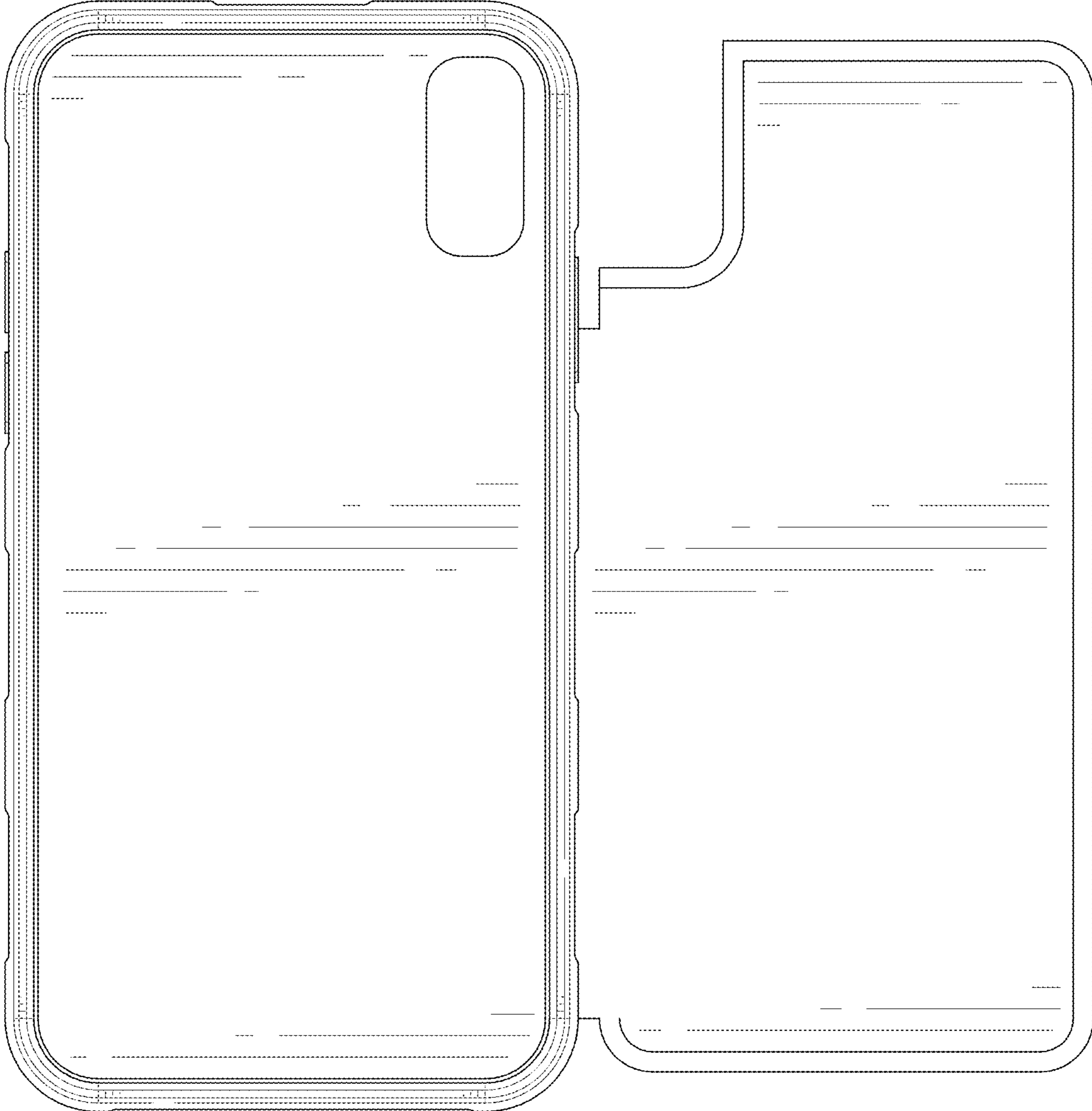


FIG. 3

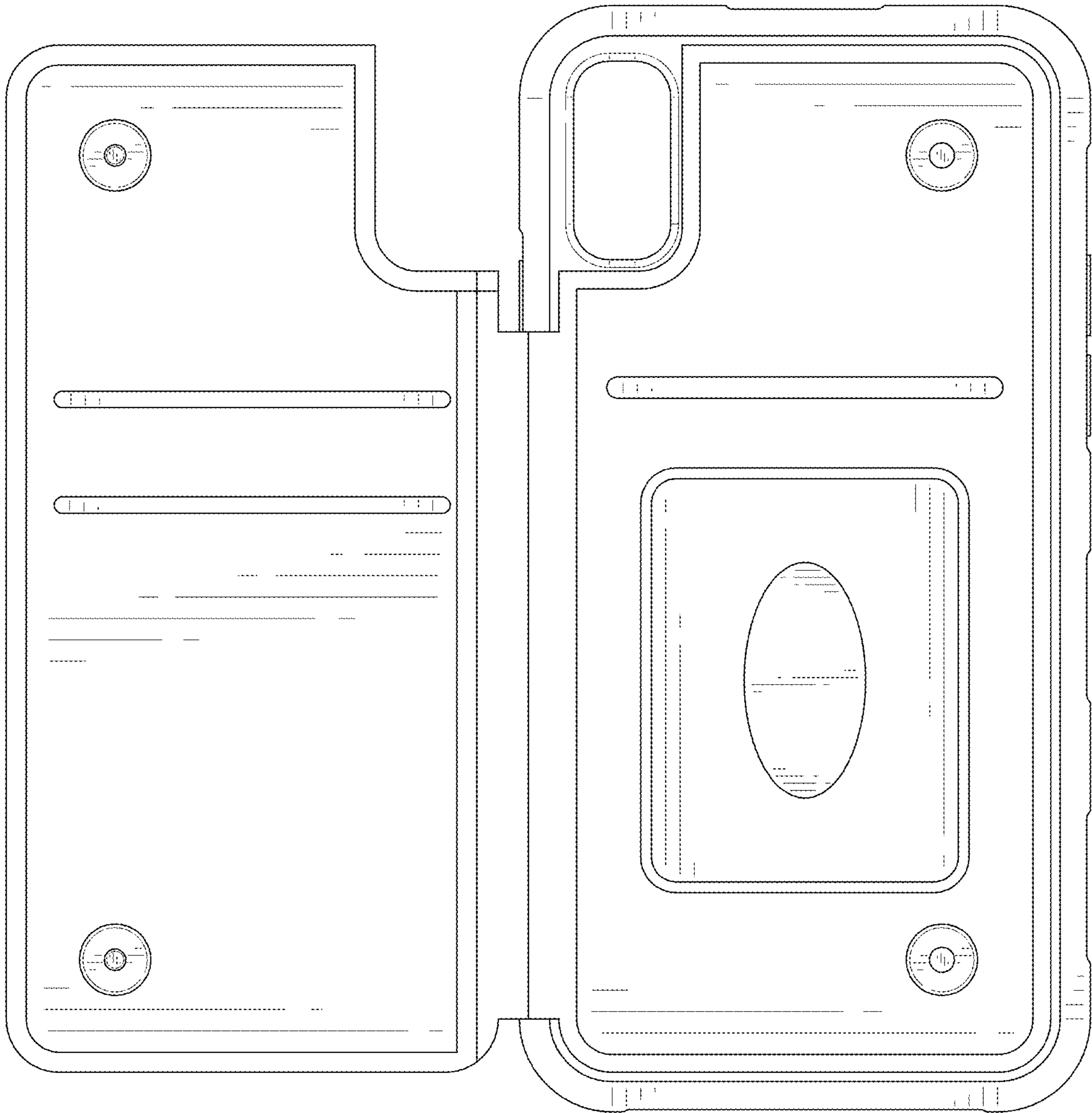


FIG. 4

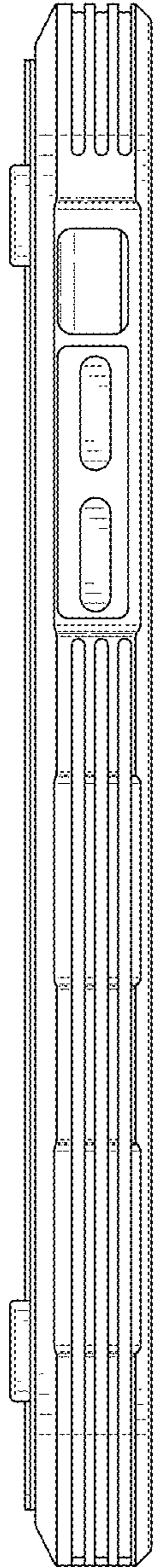


FIG. 5

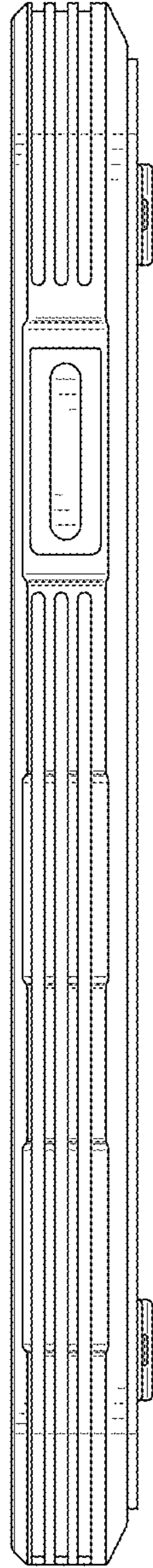


FIG. 6

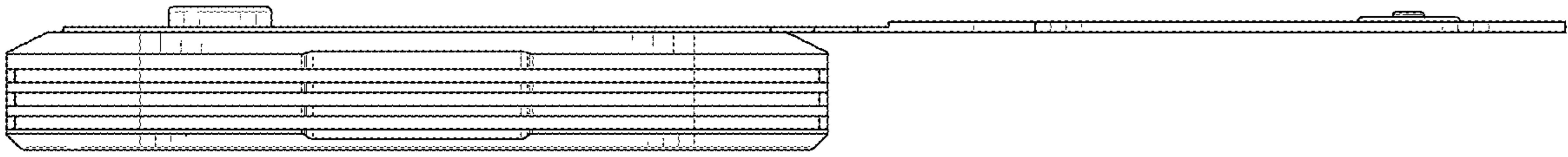


FIG. 7

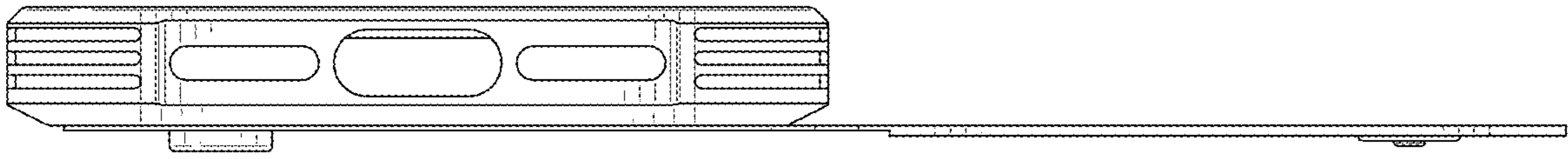


FIG. 8

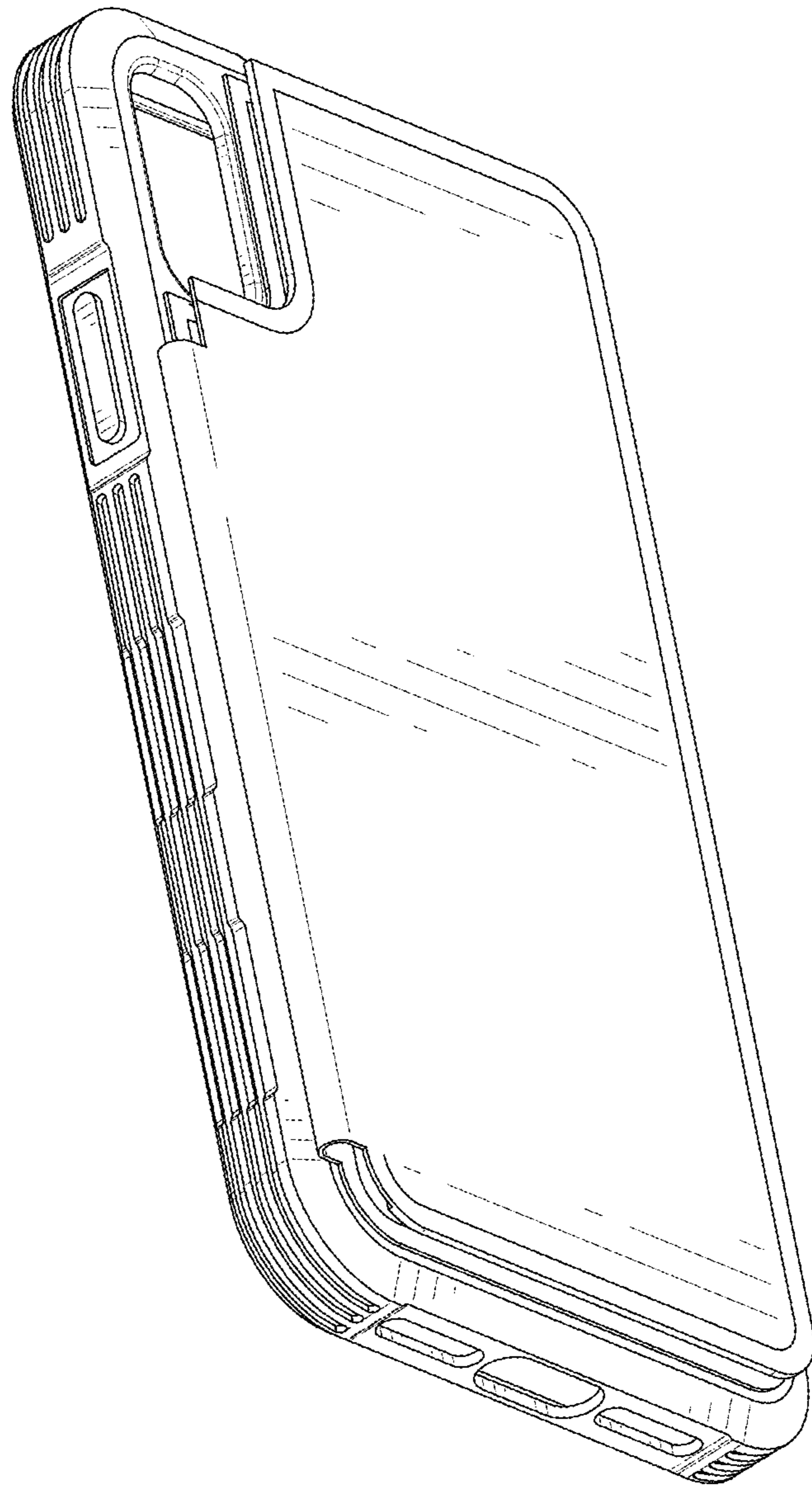


FIG. 9

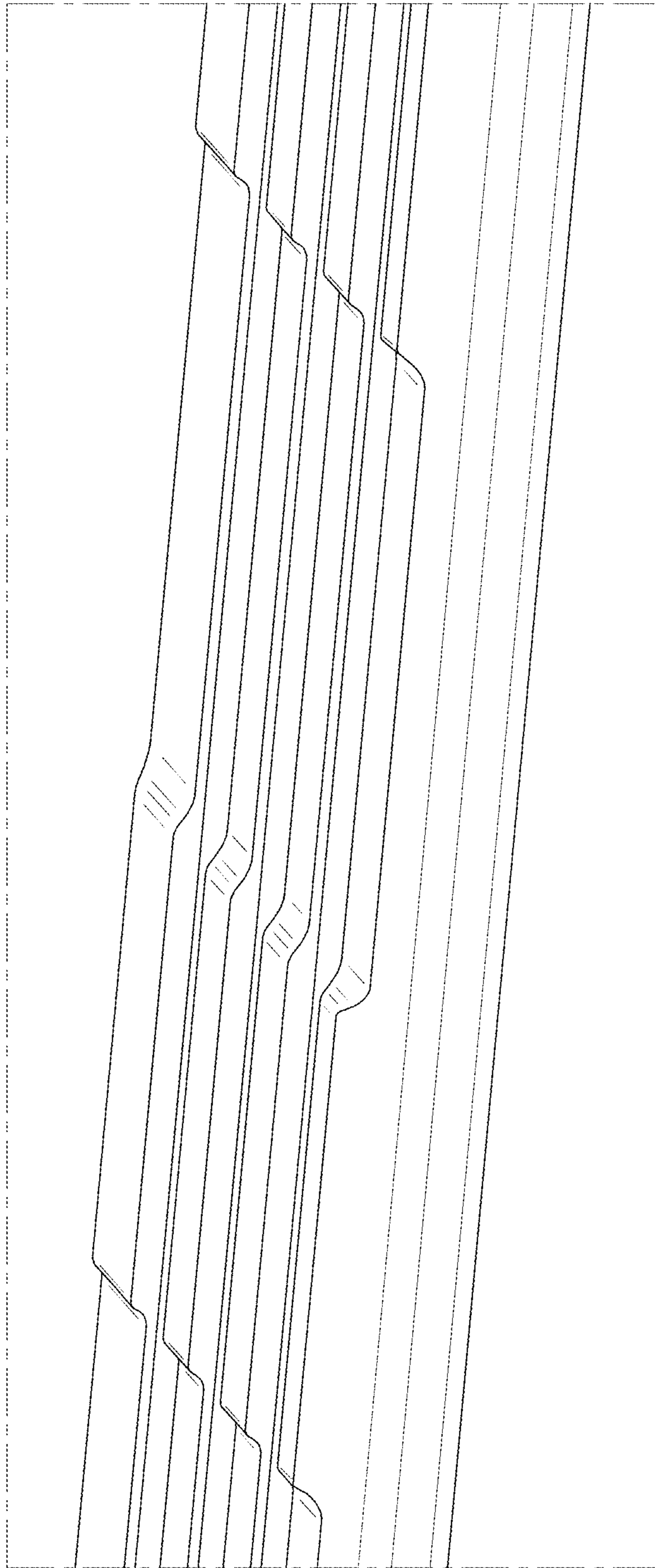


FIG. 10

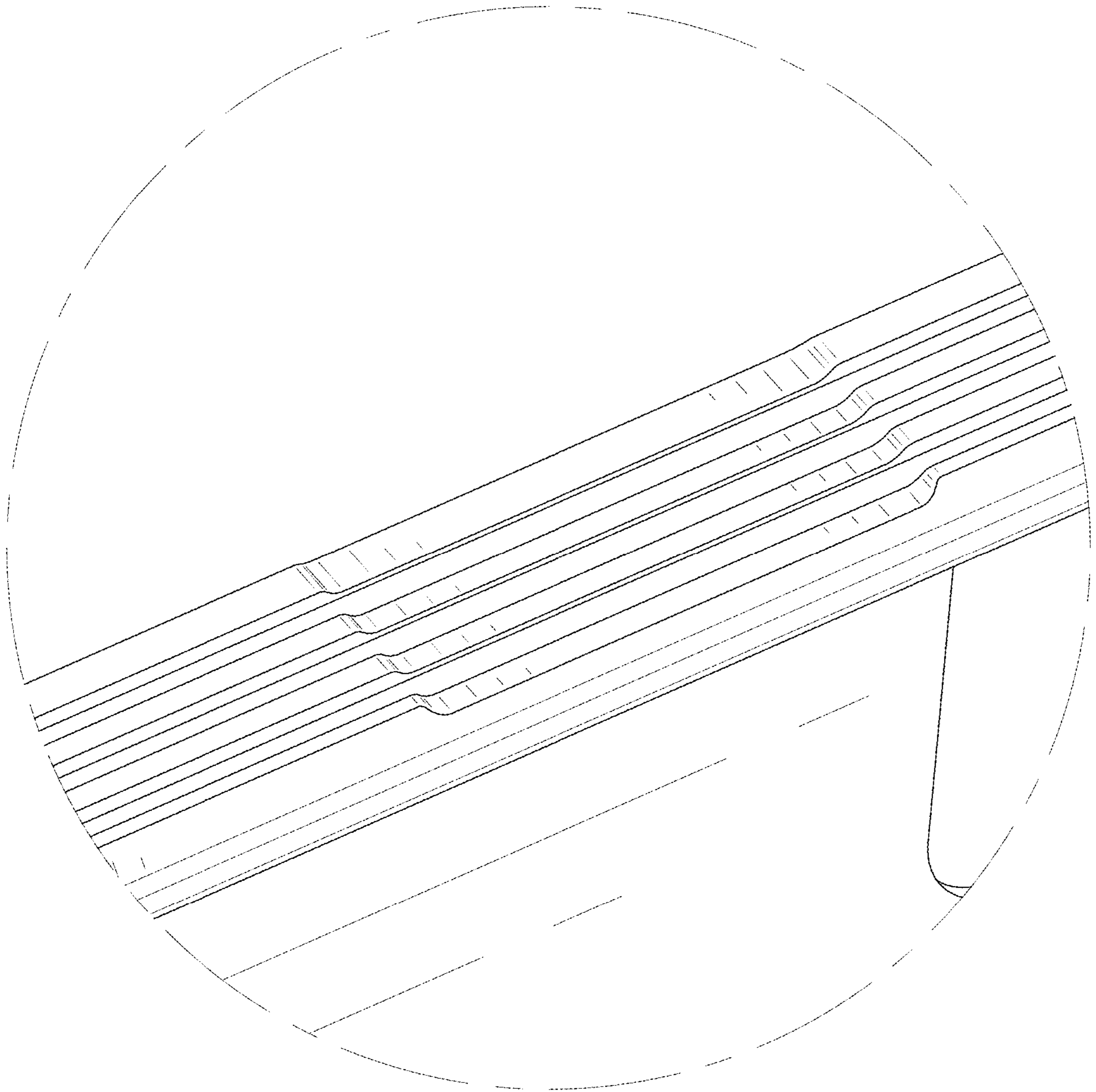


FIG. 11

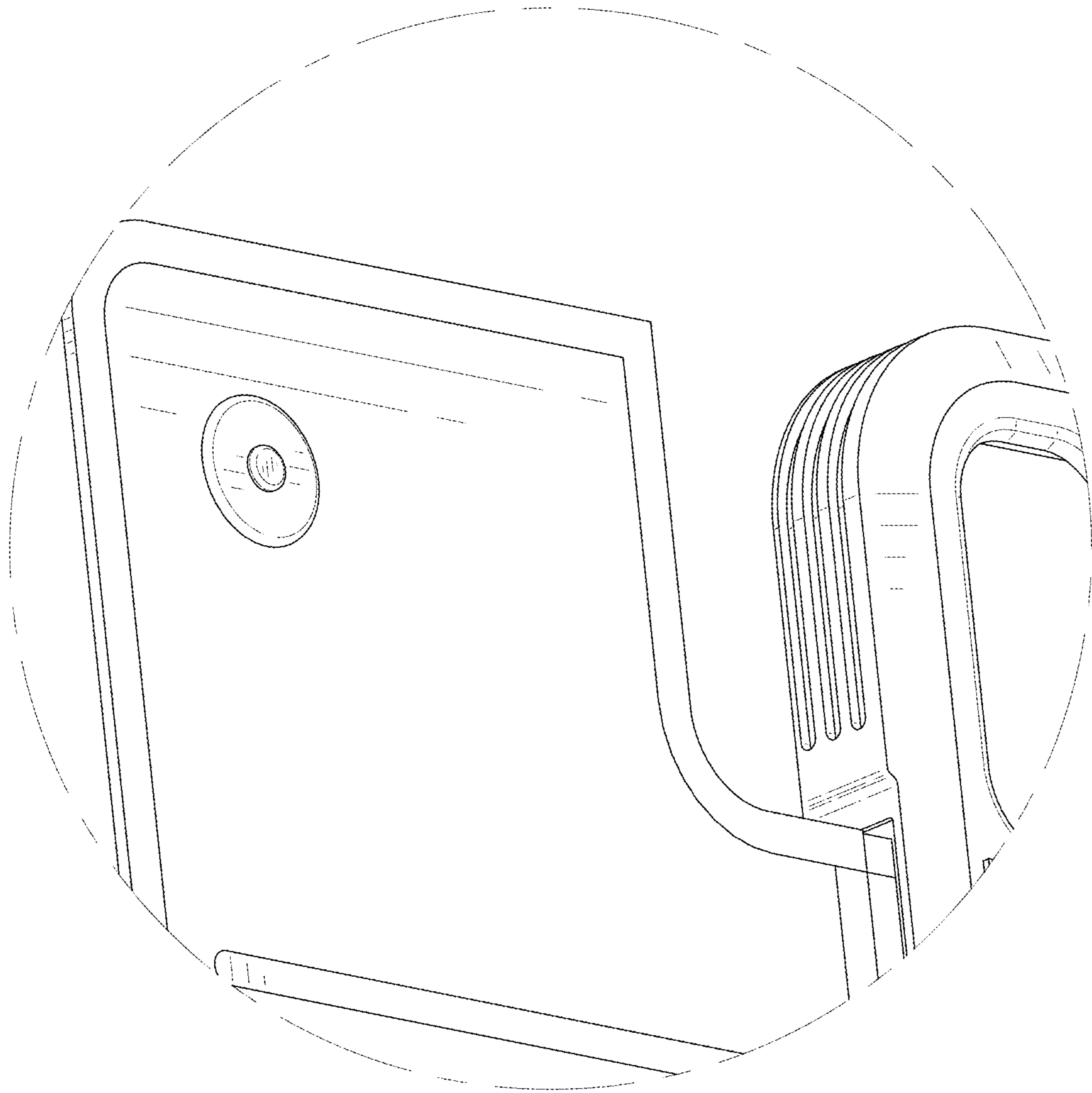


FIG. 12