



US00D908115S

(12) **United States Design Patent**  
**Mei**

(10) **Patent No.:** **US D908,115 S**

(45) **Date of Patent:** **\*\* Jan. 19, 2021**

(54) **EARPHONE**

(71) Applicant: **Qingkai Mei**, Guangdong (CN)

(72) Inventor: **Qingkai Mei**, Guangdong (CN)

(73) Assignee: **Shenzhen MeiDong Acoustics Co., Ltd.**, Guangdong (CN)

(\*\*) Term: **15 Years**

(21) Appl. No.: **29/685,019**

(22) Filed: **Mar. 26, 2019**

(30) **Foreign Application Priority Data**

Sep. 26, 2018 (CN) ..... 2018 3 0540709

(51) **LOC (13) Cl.** ..... **14-01**

(52) **U.S. Cl.**  
USPC ..... **D14/223**

(58) **Field of Classification Search**  
USPC ..... D14/223, 205; D24/174; 128/864, 865,  
128/866; 455/90.3, 575.1, 569.1  
CPC ..... H04R 1/10; H04R 25/00; H04R 1/1016;  
H04R 1/1066; H04R 5/033; H04R 5/0335  
See application file for complete search history.

(56) **References Cited**

**U.S. PATENT DOCUMENTS**

D330,761 S *	11/1992	Falco	.....	D24/106
D479,834 S *	9/2003	Salazar	.....	D14/205
D480,386 S *	10/2003	Browne	.....	D14/223
D496,653 S *	9/2004	Townsend	.....	D14/240
D512,990 S *	12/2005	Yang	.....	D14/205
D536,692 S *	2/2007	Alwicker	.....	D14/188
D549,222 S *	8/2007	Huang	.....	A61F 11/08 D14/223
D550,657 S *	9/2007	Gan	.....	D14/223
D555,150 S *	11/2007	Christopher	.....	D14/223
D559,836 S *	1/2008	Lee	.....	D14/223

D595,272 S *	6/2009	Kim	.....	D14/223
D597,084 S *	7/2009	Gondo	.....	D14/223
D597,534 S *	8/2009	Christopher	.....	D14/223
D604,722 S *	11/2009	Mistry	.....	D14/223
D622,855 S *	8/2010	Cano, Jr.	.....	D24/174
D631,470 S *	1/2011	Yoneyama	.....	D14/223
D652,822 S *	1/2012	Lee	.....	D14/223
D658,157 S *	4/2012	McManigal	.....	D14/205
D666,580 S *	9/2012	Lee	.....	D14/223
D676,026 S *	2/2013	Lee	.....	D14/223
D684,699 S *	6/2013	Heaysman	.....	D24/174
D684,700 S *	6/2013	Heaysman	.....	D24/174
D685,481 S *	7/2013	Heaysman	.....	D24/174
8,600,095 B2 *	12/2013	Yuen	.....	H04R 1/1041 381/380
8,737,669 B2 *	5/2014	Monahan	.....	H04R 1/1058 381/380
D711,356 S *	8/2014	Yang	.....	D14/223
D728,107 S *	4/2015	Torres Martin	.....	D24/174
9,055,365 B2 *	6/2015	Kelly	.....	H04R 1/105

(Continued)

**FOREIGN PATENT DOCUMENTS**

EM 007147178-0001 \* 10/2019

*Primary Examiner* — Paula Allen Greene

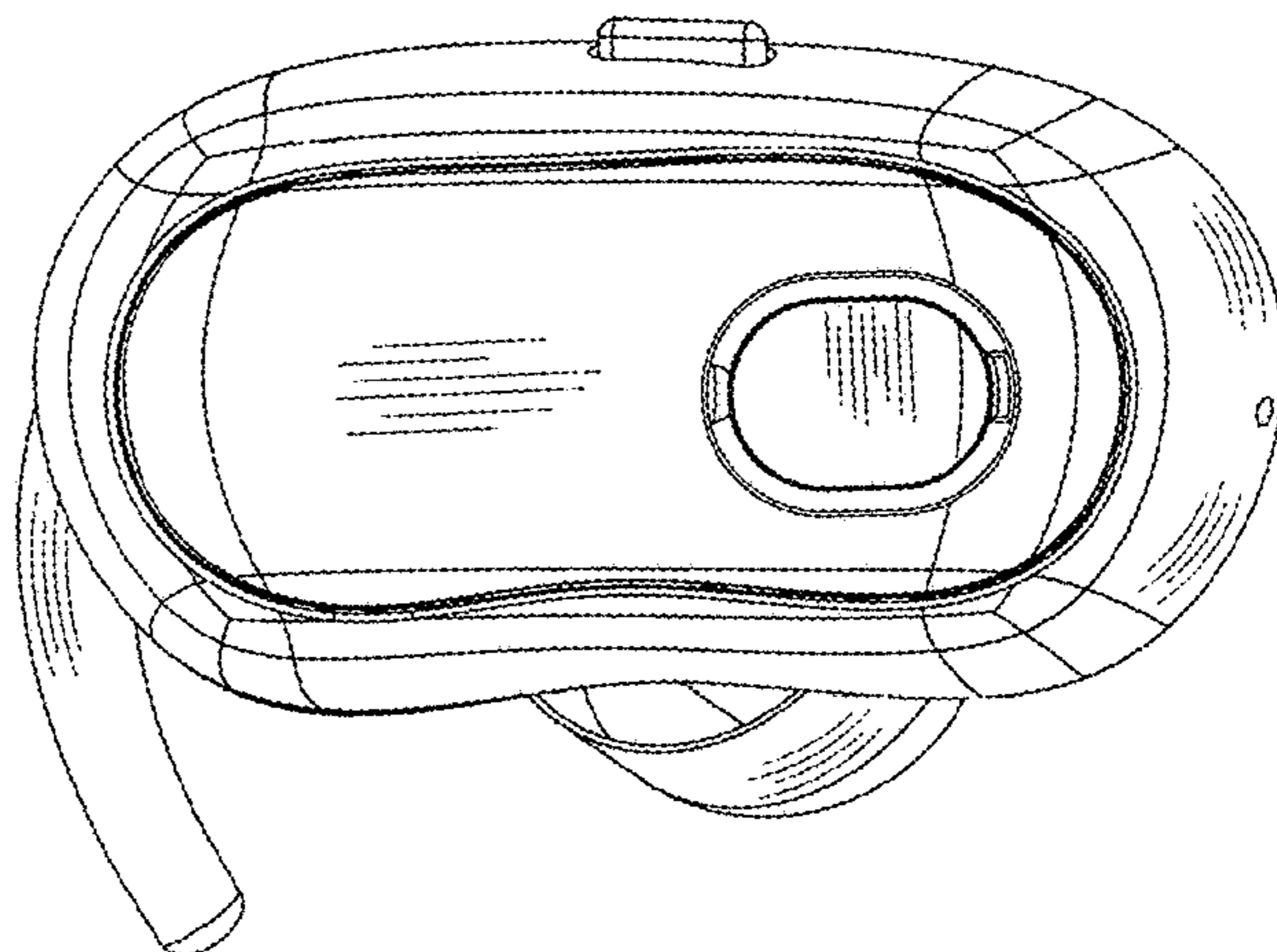
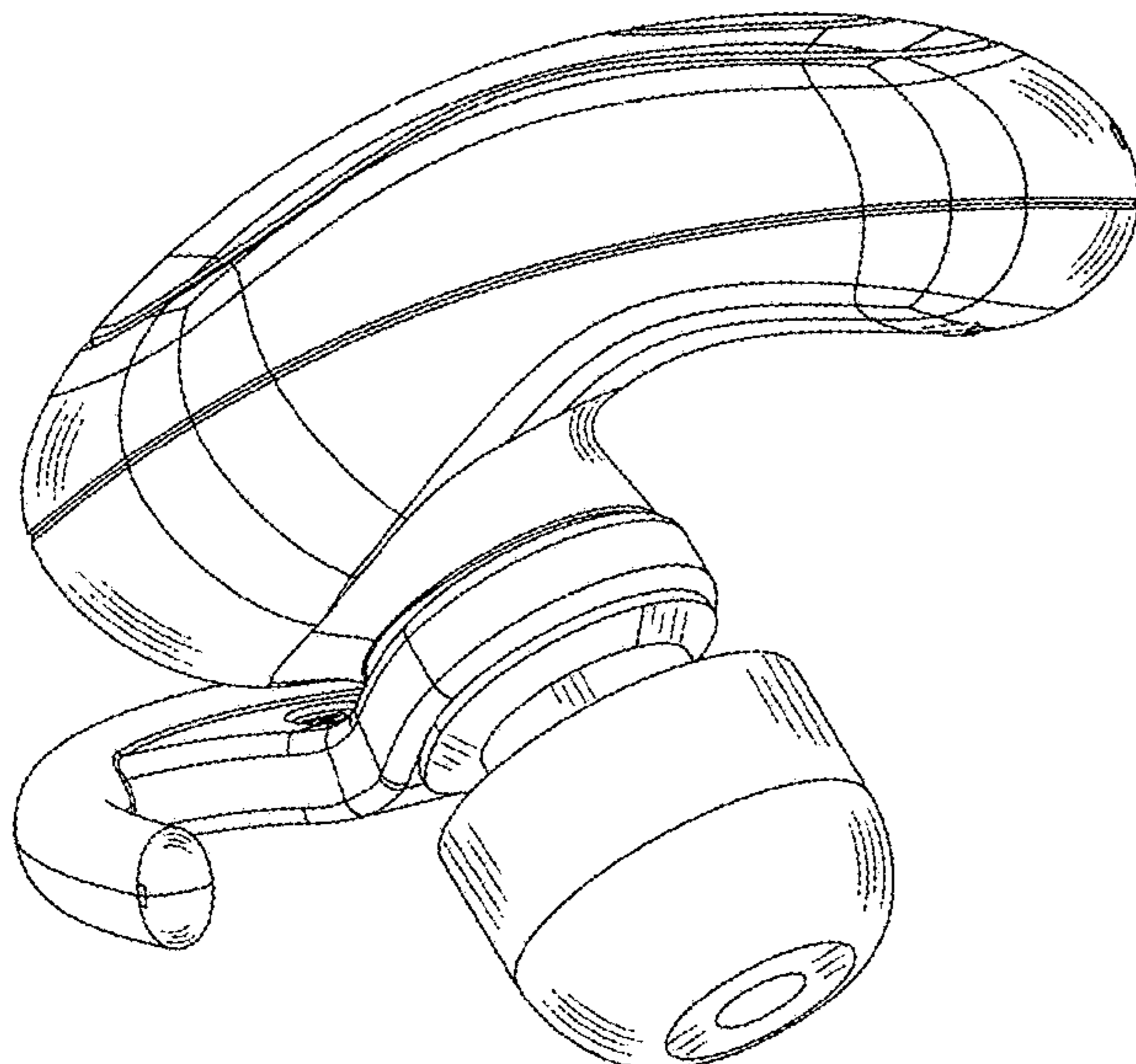
(57) **CLAIM**

The ornamental design for an earphone, as shown and described.

**DESCRIPTION**

FIG. 1 is a front elevation view of an earphone showing my new design;  
FIG. 2 is a rear elevation view thereof;  
FIG. 3 is left side elevation view thereof;  
FIG. 4 is a right side elevation view thereof;  
FIG. 5 is a top plan view thereof; and,  
FIG. 6 is a bottom plan view thereof.  
The broken lines depict environment that forms no part of the claimed design.

**1 Claim, 6 Drawing Sheets**



(56)

References Cited

U.S. PATENT DOCUMENTS

D742,861 S \* 11/2015 Miyake ..... D14/223  
 D764,445 S \* 8/2016 Czaniecki ..... D14/223  
 D767,532 S \* 9/2016 Jen ..... D14/205  
 9,532,126 B1 \* 12/2016 Kelly ..... H04R 1/1016  
 D786,216 S \* 5/2017 Silva ..... D14/205  
 D788,079 S \* 5/2017 Son ..... D14/223  
 9,736,569 B2 \* 8/2017 Kelly ..... H04R 25/652  
 D799,452 S \* 10/2017 Lee ..... D14/223  
 D801,950 S \* 11/2017 Otani ..... D14/223  
 D806,879 S \* 1/2018 Horbinski ..... D24/174  
 D808,360 S \* 1/2018 Arimoto ..... D14/205  
 D812,042 S \* 3/2018 Xiao ..... D14/223  
 D813,205 S \* 3/2018 Palmborg ..... D14/223  
 D817,309 S \* 5/2018 Czaniecki ..... D14/223  
 9,961,434 B2 \* 5/2018 Kelly ..... H04R 1/1066  
 D822,646 S \* 7/2018 Dang ..... D14/223  
 D824,359 S \* 7/2018 Czaniecki ..... D14/205  
 D827,616 S \* 9/2018 Lian ..... D14/223  
 D841,626 S \* 2/2019 Tang ..... D14/223  
 D842,844 S \* 3/2019 Li ..... D14/223  
 D843,354 S \* 3/2019 Kumano ..... D14/223  
 D845,281 S \* 4/2019 Lee ..... D14/223

D845,932 S \* 4/2019 Lu ..... D14/223  
 D846,532 S \* 4/2019 Xiao ..... D14/223  
 D847,126 S \* 4/2019 Loermann ..... D14/223  
 D852,782 S \* 7/2019 Bergman ..... D14/223  
 D863,263 S \* 10/2019 Yu ..... D14/223  
 D864,167 S \* 10/2019 Wu ..... D14/223  
 D868,752 S \* 12/2019 Zhu ..... D14/223  
 D869,443 S \* 12/2019 Sumii ..... D14/223  
 D871,376 S \* 12/2019 Zhou ..... D14/223  
 D873,805 S \* 1/2020 Yang ..... D14/223  
 D874,444 S \* 2/2020 Chang ..... D14/223  
 D876,398 S \* 2/2020 Cai ..... D14/223  
 D877,720 S \* 3/2020 Madramotoo ..... D14/223  
 D877,721 S \* 3/2020 Jung ..... D14/223  
 D879,074 S \* 3/2020 Komiya ..... D14/223  
 D880,457 S \* 4/2020 Zhu ..... D14/223  
 D883,261 S \* 5/2020 Zhang ..... D14/223  
 D883,958 S \* 5/2020 Liu ..... D14/223  
 D885,370 S \* 5/2020 Hu ..... D14/223  
 D885,372 S \* 5/2020 Wang ..... D14/223  
 D887,395 S \* 6/2020 Wang ..... D14/223  
 2013/0259286 A1 \* 10/2013 Chung ..... H04R 1/1016  
 381/380  
 2017/0026738 A1 \* 1/2017 Tang ..... H04R 1/1091

\* cited by examiner

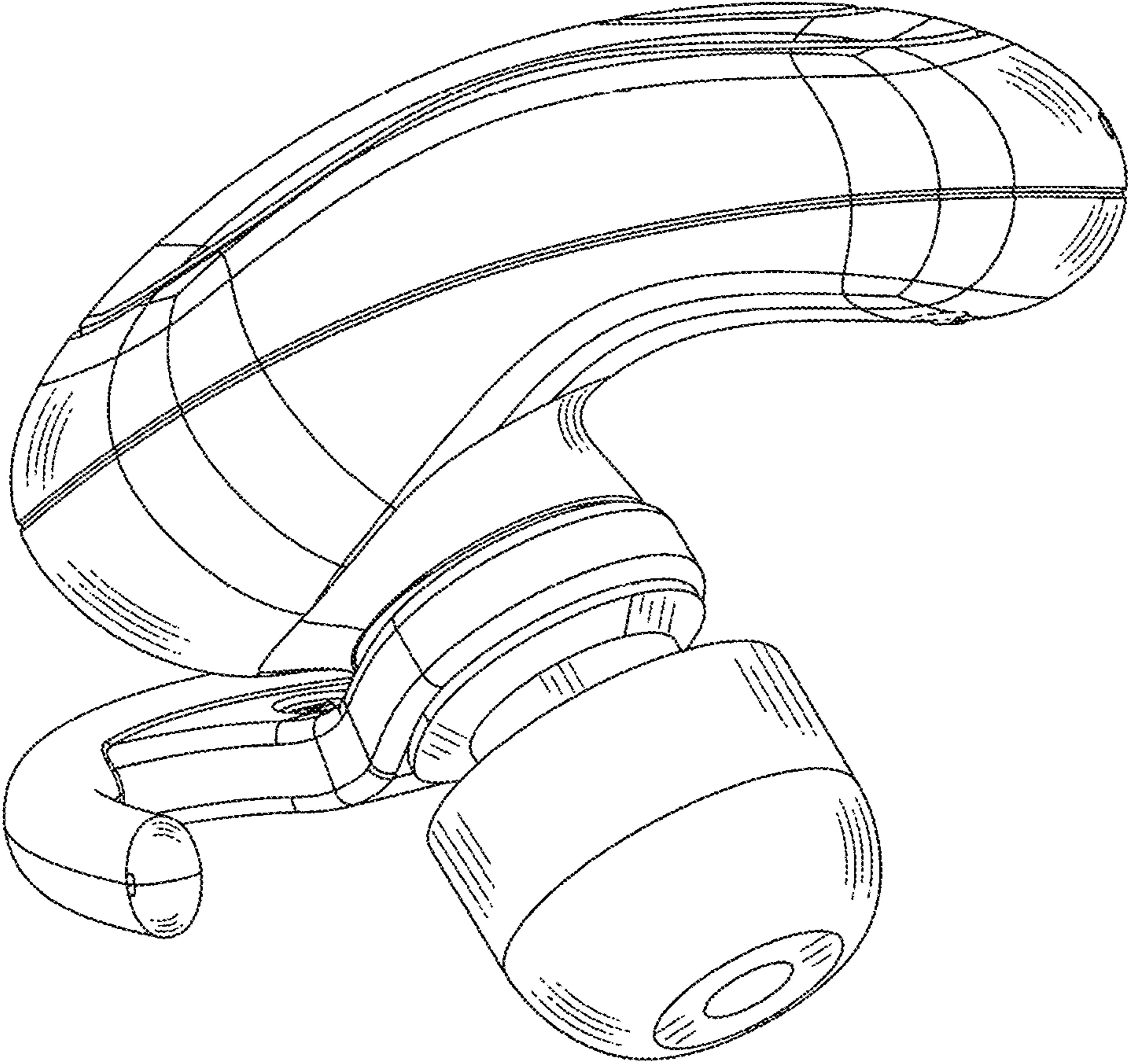


FIG.1

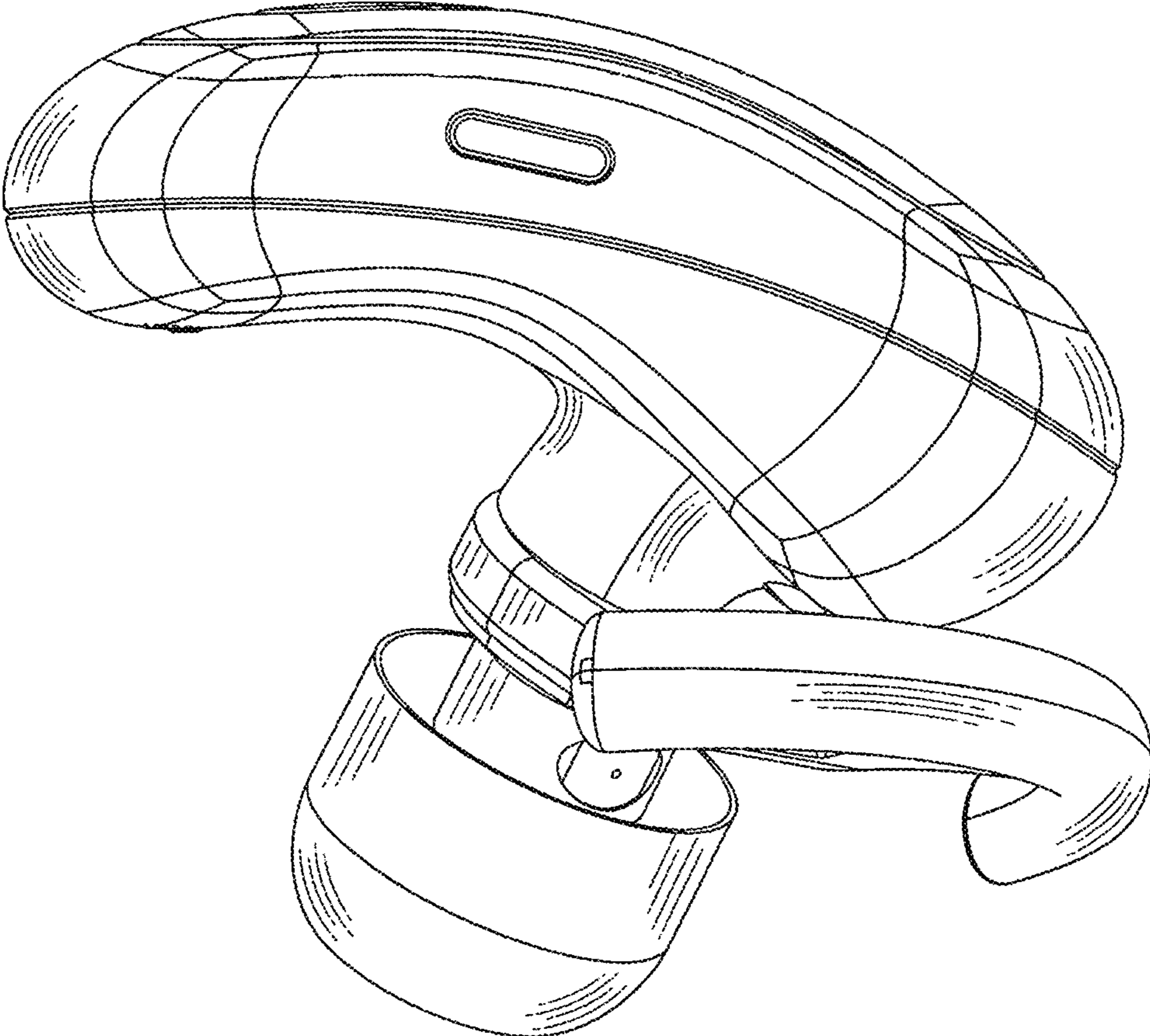


FIG.2

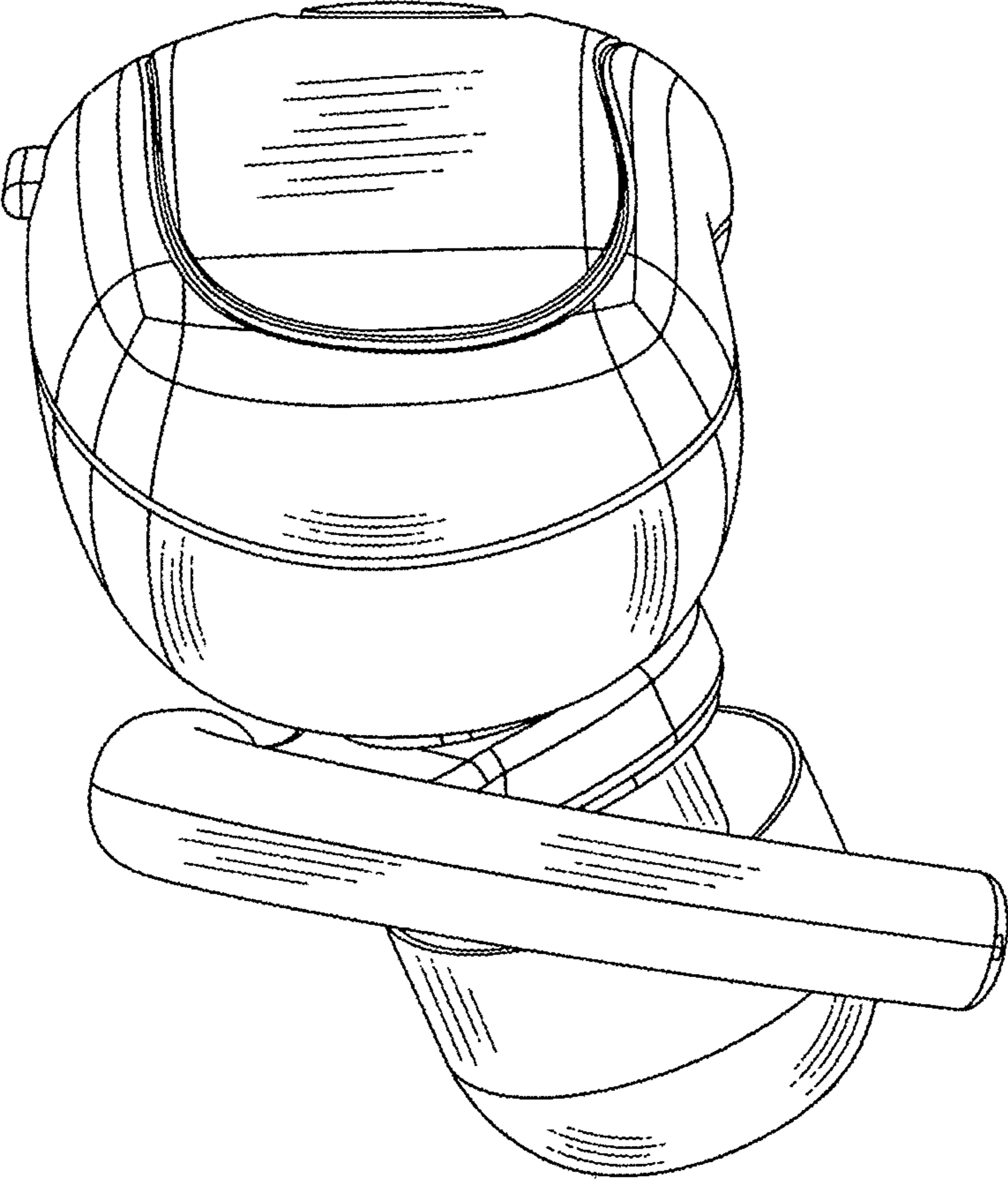


FIG.3

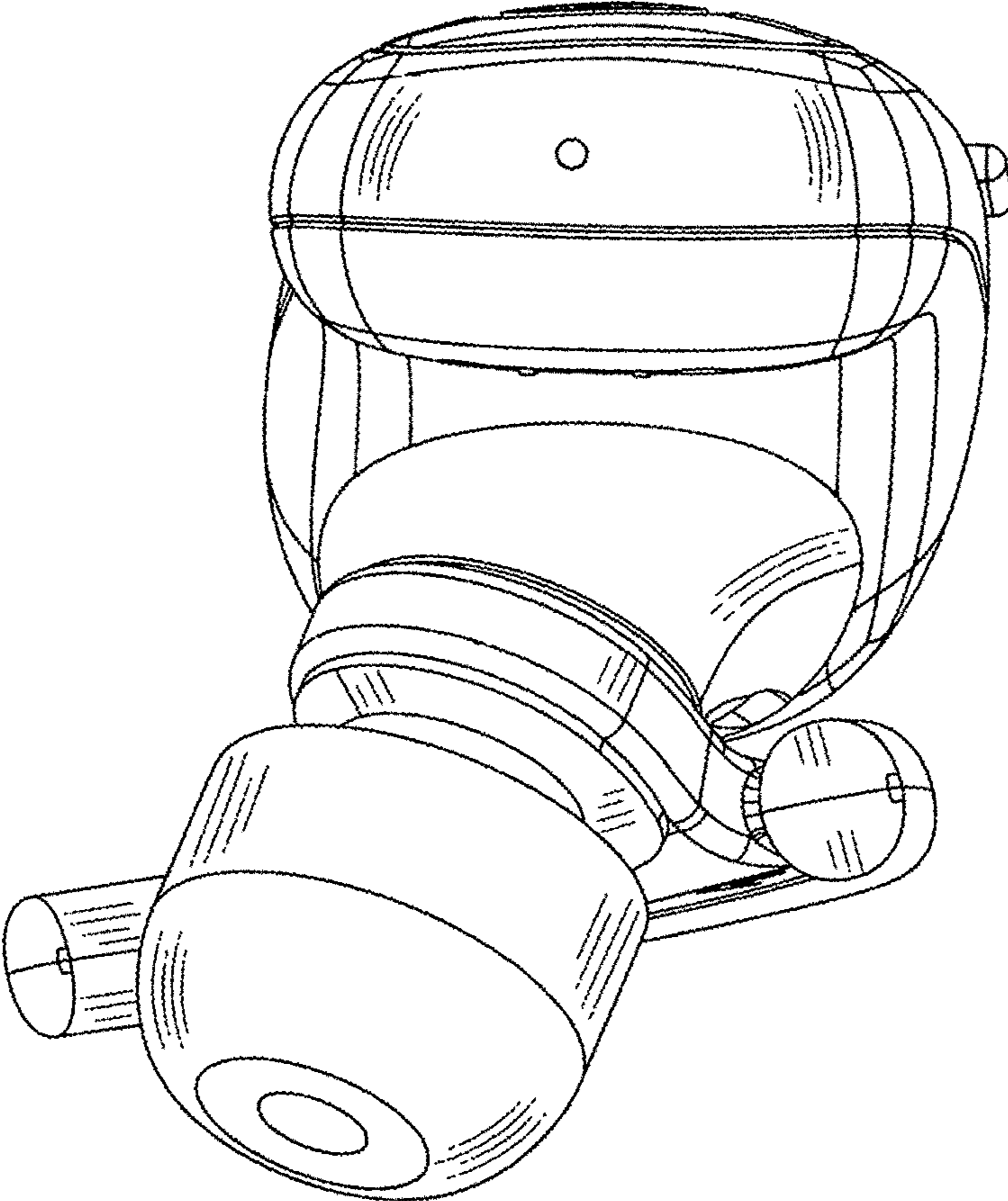


FIG.4

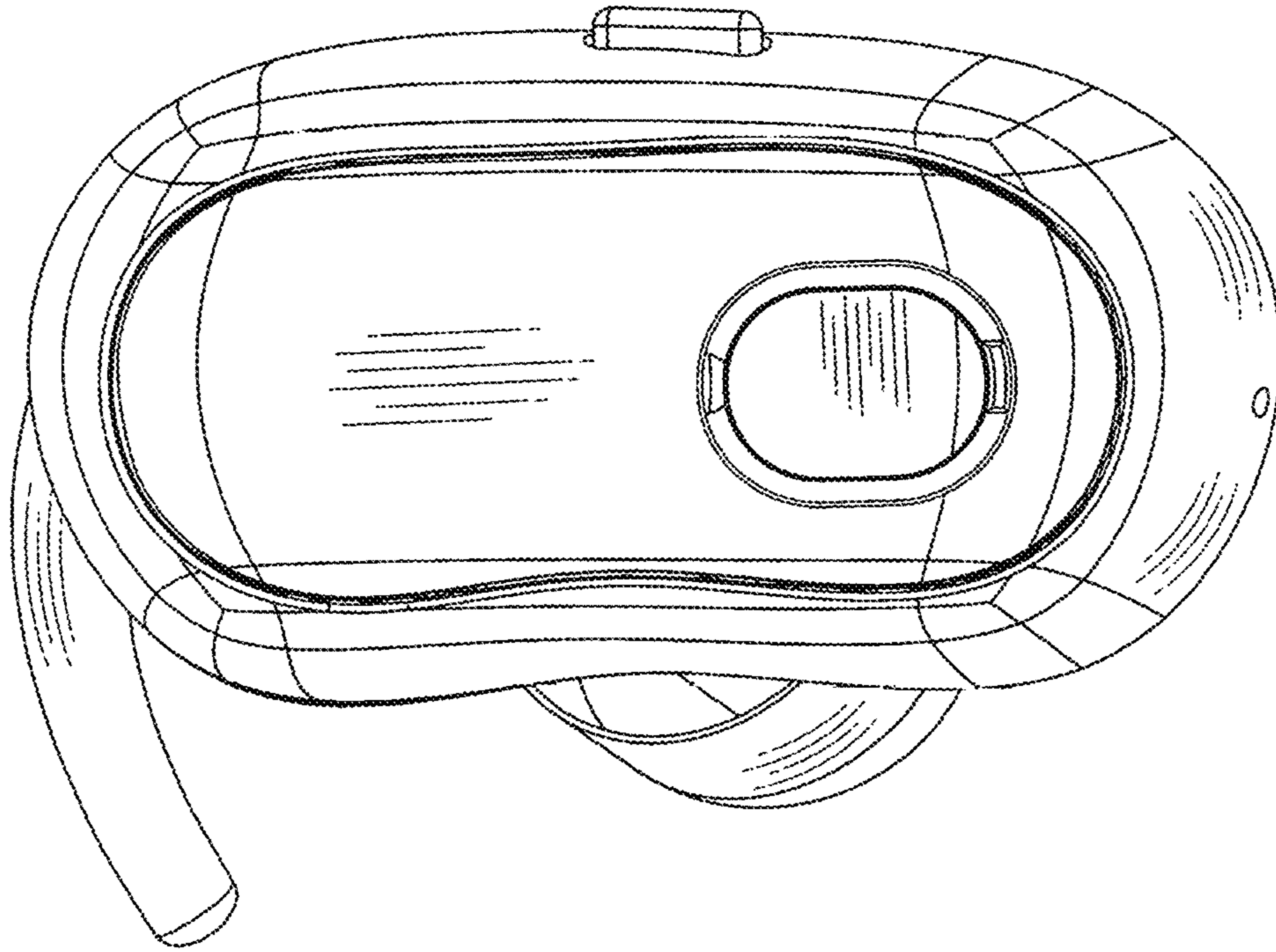


FIG.5

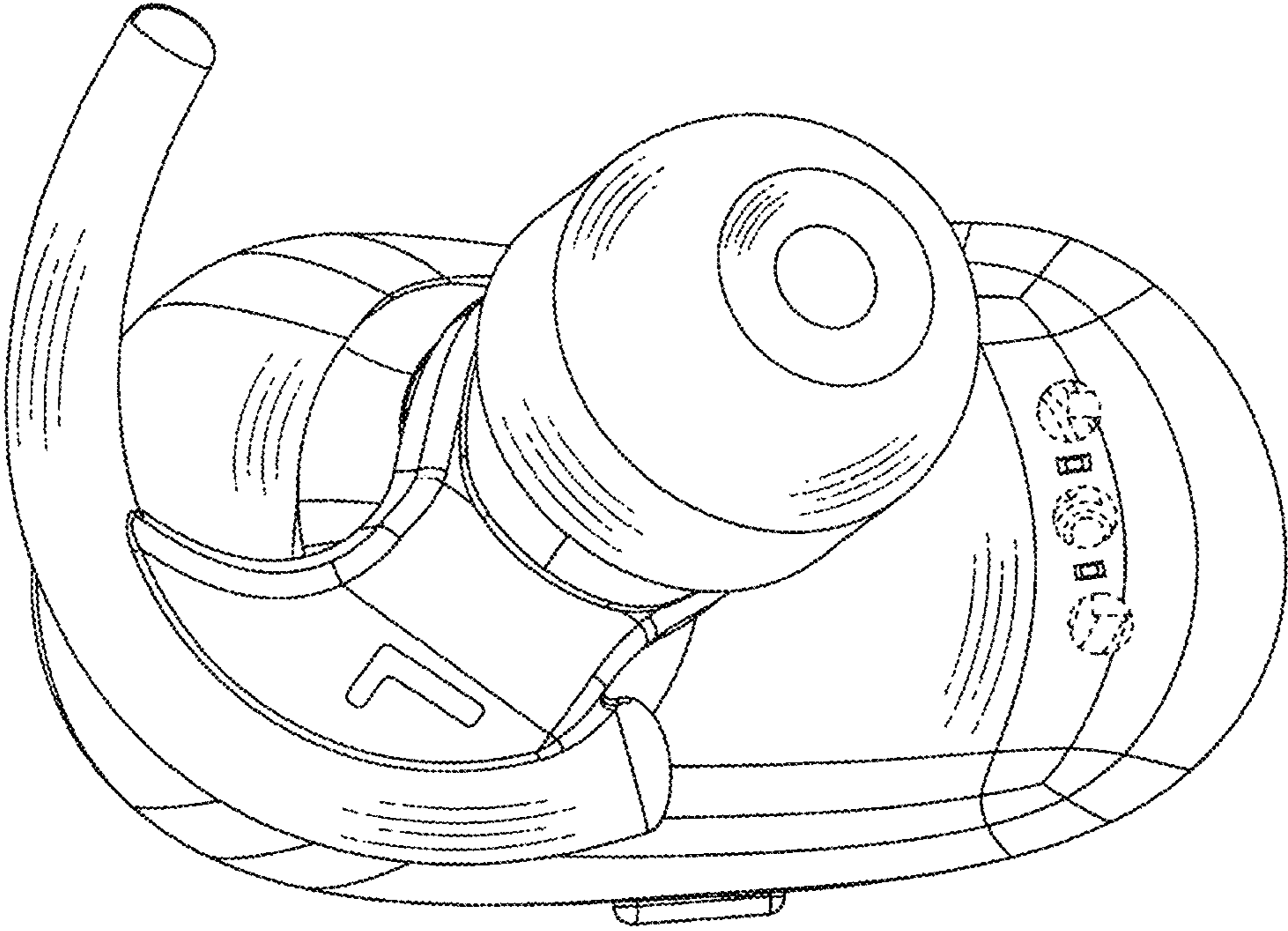


FIG. 6