



US00D908112S

(12) **United States Design Patent**
Eshelman et al.

(10) **Patent No.:** **US D908,112 S**

(45) **Date of Patent:** **** Jan. 19, 2021**

(54) **INTERACTIVE DEVICE HOLDER**

6,091,611 A 7/2000 Lanni
D520,448 S 5/2006 Lodato et al.
D573,947 S * 7/2008 Kishimoto D13/119
(Continued)

(71) Applicant: **360 Electrical, L.L.C.**, Salt Lake City,
UT (US)

(72) Inventors: **Brandon Eshelman**, Salt Lake City,
UT (US); **Cameron Bigler**, Lehi, UT
(US); **Adam Boushley**, Midvale, UT
(US)

OTHER PUBLICATIONS

Interactive Device Holder, U.S. Appl. No. 29/608,848, Eshelman,
Brandon; et al., filed Jun. 26, 2017.
(Continued)

(73) Assignee: **360 Electrical, L.L.C.**, Salt Lake City,
UT (US)

Primary Examiner — Khawaja Anwar
(74) *Attorney, Agent, or Firm* — Lauff Law PLLC

(**) Term: **15 Years**

(57) **CLAIM**

(21) Appl. No.: **29/666,680**

The ornamental design for a interactive device holder,
substantially as shown and described.

(22) Filed: **Oct. 15, 2018**

DESCRIPTION

(51) **LOC (13) Cl.** **14-03**

(52) **U.S. Cl.**
USPC **D14/217**

(58) **Field of Classification Search**
USPC D14/217, 432, 433, 434, 341–347, 371,
D14/426, 427; D11/3; D10/30–39, 128;
D13/107, 108

CPC A61M 16/0488; A61M 16/04; A61M
16/0415; A61M 16/0418; A61M 16/0434;
A61M 16/0479; A61M 16/0486; A61M
16/0493; A61M 16/0497; A61M
2025/022; A61M 2205/32; A61M 25/02;
H04W 4/008; H04W 4/027

See application file for complete search history.

FIG. 1 is a left front upper perspective view of the interactive
device holder shown holding an interactive device depicted
in broken lines;
FIG. 2 is a right front lower perspective view thereof;
FIG. 3 is a right rear upper perspective view of the inter-
active device holder;
FIG. 4 is a left front upper perspective view thereof;
FIG. 5 is a right elevation view thereof;
FIG. 6 is a right rear lower perspective view thereof;
FIG. 7 is a left front lower perspective view thereof;
FIG. 8 is a front elevation view thereof;
FIG. 9 is a rear elevation view thereof;
FIG. 10 is an upper plan view thereof;
FIG. 11 is a lower plan view thereof;
FIG. 12 is a right front upper perspective view thereof;
FIG. 13 is a left rear upper perspective view thereof;
FIG. 14 is a left elevation view thereof;
FIG. 15 is a right front lower perspective view thereof; and,
FIG. 16 is a left rear lower perspective view thereof.

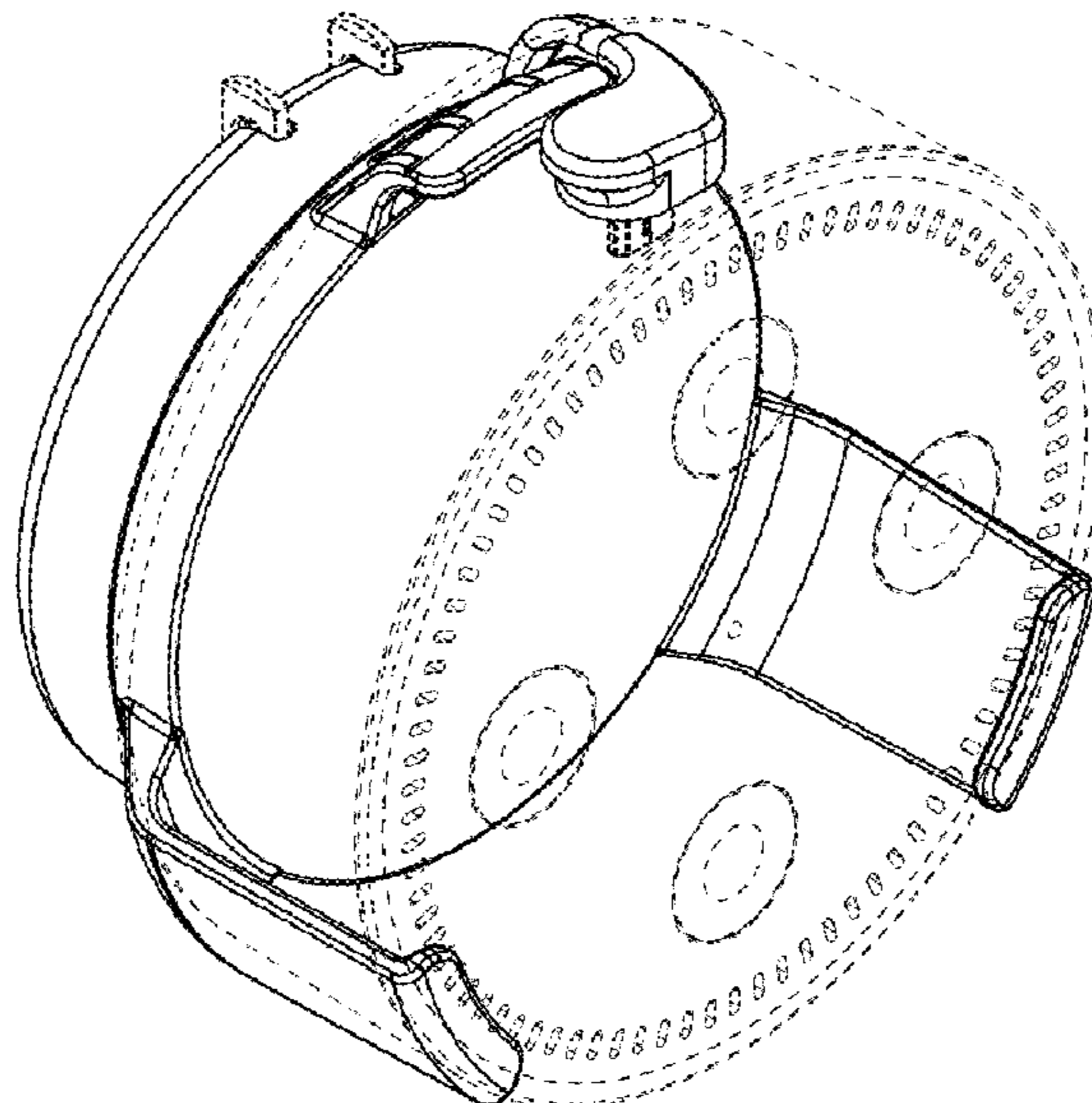
The broken lines in the drawings are for the purpose of
illustrating portions of the interactive device holder that
form no part of the claimed design.

(56) **References Cited**

U.S. PATENT DOCUMENTS

D233,385 S * 10/1974 Friedman D6/553
D320,992 S * 10/1991 Jondelius D14/253
5,628,641 A 5/1997 Hahn
6,089,886 A 7/2000 Mareno

1 Claim, 4 Drawing Sheets



(56)

References Cited

U.S. PATENT DOCUMENTS

D582,399	S *	12/2008	Venier	H04R 1/025 D14/224
D634,315	S *	3/2011	Nousiainen	D14/253
D646,674	S	10/2011	Liao		
D652,836	S	1/2012	Voorhees		
D660,306	S	5/2012	Voorhees		
D686,629	S *	7/2013	Trinh	D14/447
8,712,486	B2	4/2014	Sorias et al.		
D705,211	S	5/2014	Huang		
D707,662	S *	6/2014	Okita	D14/229
D709,066	S	7/2014	Byun		
D712,394	S *	9/2014	Booth	D14/253
D745,495	S *	12/2015	Fereday	D14/229
D753,643	S *	4/2016	Kim	D14/253
D765,064	S *	8/2016	Wengreen	D14/238.1
D775,534	S *	1/2017	Turksu	D10/31
D777,167	S *	1/2017	Wengreen	D14/447
9,544,005	B2	1/2017	Wei		
9,573,532	B2	2/2017	Riddiford et al.		
D790,528	S *	6/2017	Lindloff	D14/253
D791,700	S	7/2017	Loewen		
D792,345	S	7/2017	Loewen		
9,742,885	B2	8/2017	Rostami		
D802,529	S	11/2017	Andersson		
D811,334	S *	2/2018	Weng	D13/133
9,977,462	B2	5/2018	Sorias et al.		
D823,841	S *	7/2018	Marini	D14/238
10,027,149	B2	7/2018	Warren		
10,034,398	B2	7/2018	Kurian et al.		
10,050,397	B1	8/2018	Hetzroni et al.		
D847,789	S *	5/2019	Virhia	D14/217
D848,412	S *	5/2019	Greve	D14/253
D856,344	S	8/2019	Wengreen		
D862,419	S *	10/2019	Eshelman	D14/217
D892,767	S *	8/2020	Sandberg	D14/217
2006/0171145	A1	8/2006	Ford		
2015/0072555	A1	3/2015	Riddiford et al.		
2015/0230351	A1	8/2015	Yeo		
2016/0380446	A1	12/2016	Loewen		
2017/0324260	A1	11/2017	Rostami		
2019/0116678	A1	4/2019	Eshelman et al.		

OTHER PUBLICATIONS

Independently Powered Interactive Device Holder, U.S. Appl. No. 16/160,642, Eshelman, Brandon; et al., filed Oct. 15, 2018.
 Interactive Device Holder, U.S. Appl. No. 29/666,680, Eshelman, Brandon; et al., filed Oct. 15, 2018.
 Interactive Device Holder, U.S. Appl. No. 29/666,684, Eshelman, Brandon; et al., filed Oct. 15, 2018.
 Interactive Device Holder, U.S. Appl. No. 29/666,693, Eshelman, Brandon; et al., filed Oct. 15, 2018.
 Power Adapter, U.S. Appl. No. 29/533,871, Eshelman, Brandon; et al., filed Jul. 22, 2015.
 Power Adapter, U.S. Appl. No. 29/533,872, Eshelman, Brandon; et al., filed Jul. 22, 2015.

Electrical Cord Plug, U.S. Appl. No. 29/582,844, Eshelman, Brandon; et al., filed Oct. 31, 2016.
 Electrical Extension Cord Receptacle End, U.S. Appl. No. 29/582,846, Eshelman, Brandon; et al., filed Oct. 31, 2016.
 Electrical Extension Cord Receptacle End, U.S. Appl. No. 29/582,848, Eshelman, Brandon; et al., filed Oct. 31, 2016.
 Power Cord End, U.S. Appl. No. 29/608,851, Eshelman, Brandon; et al., filed Jun. 26, 2017.
 Power Cord Cover, U.S. Appl. No. 29/615,742, Eshelman, Brandon; et al., filed Aug. 30, 2017.
 Power Cord Cover, U.S. Appl. No. 29/615,743, Eshelman, Brandon; et al., filed Aug. 30, 2017.
 Power Strip, U.S. Appl. No. 29/662,101, Eshelman, Brandon; et al., filed Aug. 31, 2018.
 Power Strip, U.S. Appl. No. 29/662,102, Eshelman, Brandon; et al., filed Aug. 31, 2018.
 Power Strip, U.S. Appl. No. 29/662,103, Eshelman, Brandon; et al., filed Aug. 31, 2018.
 Power Cord End With Covered Receptacles, U.S. Appl. No. 29/668,061, Eshelman, Brandon; et al., filed Oct. 26, 2018.
 Power Adapter With Covered Receptacles, U.S. Appl. No. 29/668,062, Eshelman, Brandon; et al., filed Oct. 26, 2018.
 Power Strip With Covered Receptacles, U.S. Appl. No. 29/668,065, Eshelman, Brandon; et al., filed Oct. 26, 2018.
 Power Strip With Covered Receptacles, U.S. Appl. No. 29/668,066, Eshelman, Brandon; et al., filed Oct. 26, 2018.
 Reorientable Electrical Outlet, U.S. Appl. No. 10/996,106, Gerard, Kimberly R., filed Nov. 23, 2004.
 Reorientable Electrical Receptacle, U.S. Appl. No. 11/081,282, Gerard, Kimberly R., filed Mar. 16, 2005.
 Reorientable Electrical Receptacle, U.S. Appl. No. 11/302,924, Gerard, Kimberly R., filed Dec. 14, 2005.
 Reorientable Electric Outlet, U.S. Appl. No. 09/458,163, Gerard, Kimberly R.; et al., filed Dec. 9, 1999.
 Reorientable Electrical Receptacle, U.S. Appl. No. 11/778,948, Gerard, Kimberly R., filed Jul. 17, 2007.
 Reorientable Electrical Receptacle, U.S. Appl. No. 12/835,722, Gerard, Kimberly R., filed Jul. 13, 2010.
 Reorientable Electrical Receptacle, U.S. Appl. No. 13/219,865, Gerard, Kimberly R., filed Aug. 29, 2011.
 Reorientable Electrical Receptacle, U.S. Appl. No. 13/541,383, Gerard, Kimberly R., filed Jul. 3, 2012.
 Receptacle Reorientable Electrical, U.S. Appl. No. 13/541,383, Gerard, Kimberly R., filed Jul. 3, 2012.
 Electrical Receptacle Faceplate, U.S. Appl. No. 12/141,807, Eshelman, Brandon, filed Jun. 18, 2008.
 Electrical Receptacle Faceplate, U.S. Appl. No. 13/043,003, Eshelman, Brandon, filed Mar. 8, 2011.
 U.S. Appl. No. 29/608,848, Eshelman, Brandon; et al., filed Jun. 26, 2017.
 U.S. Appl. No. 29/666,684, Eshelman, Brandon; et al., filed Oct. 15, 2018.
 U.S. Appl. No. 29/666,693, Eshelman, Brandon; et al., filed Oct. 15, 2018.

* cited by examiner

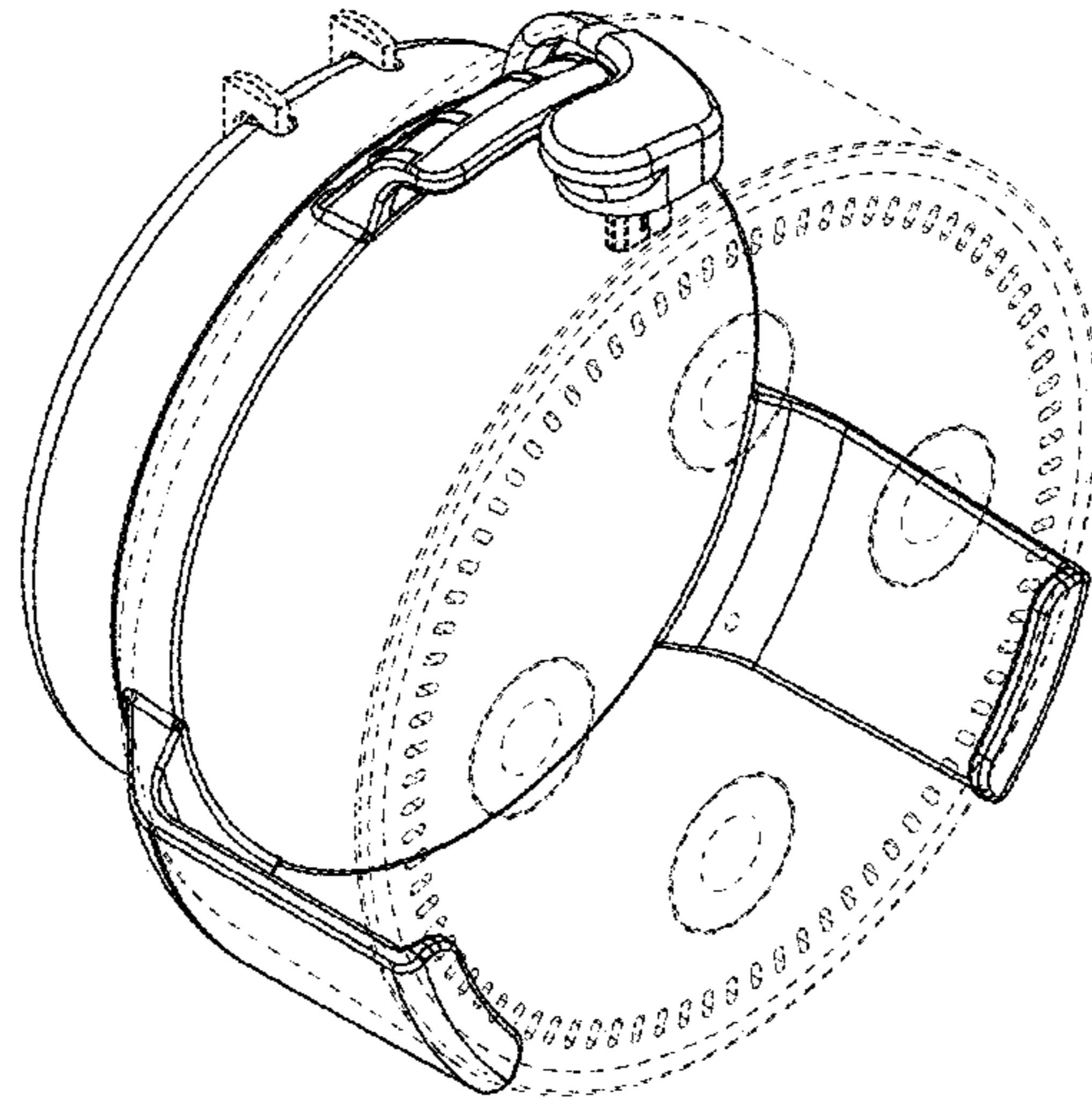


Fig. 1

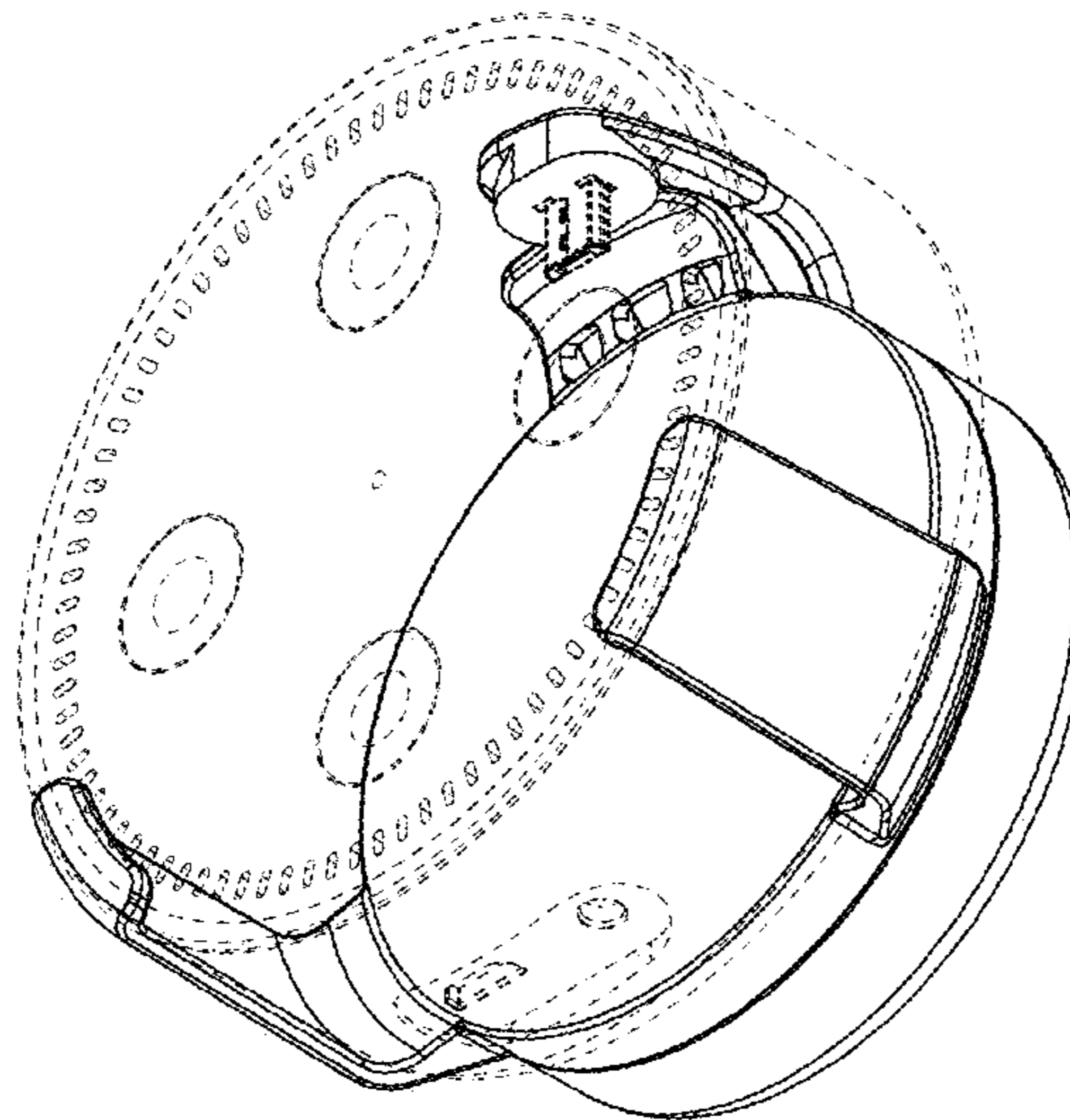


Fig. 2

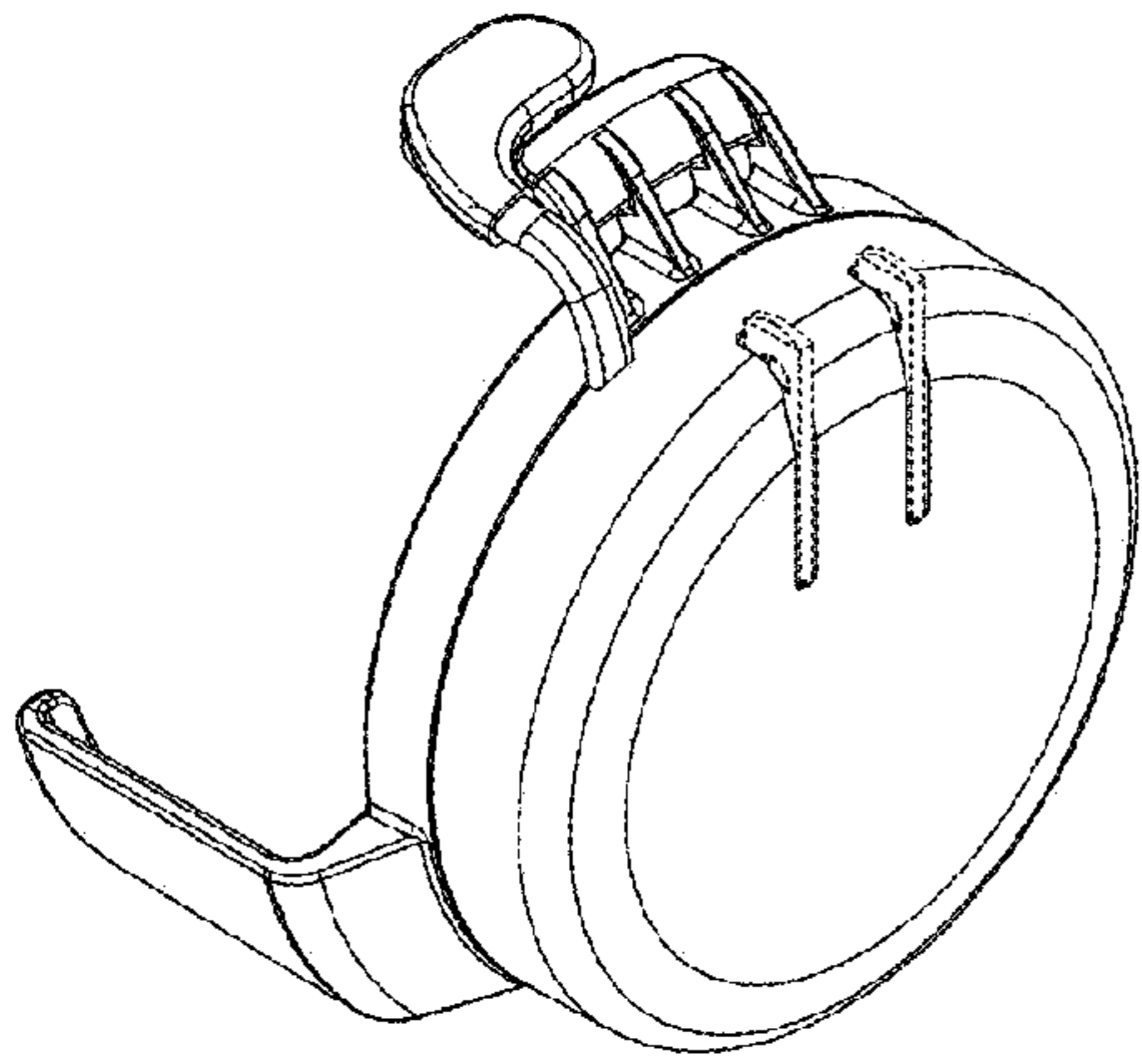


Fig. 3

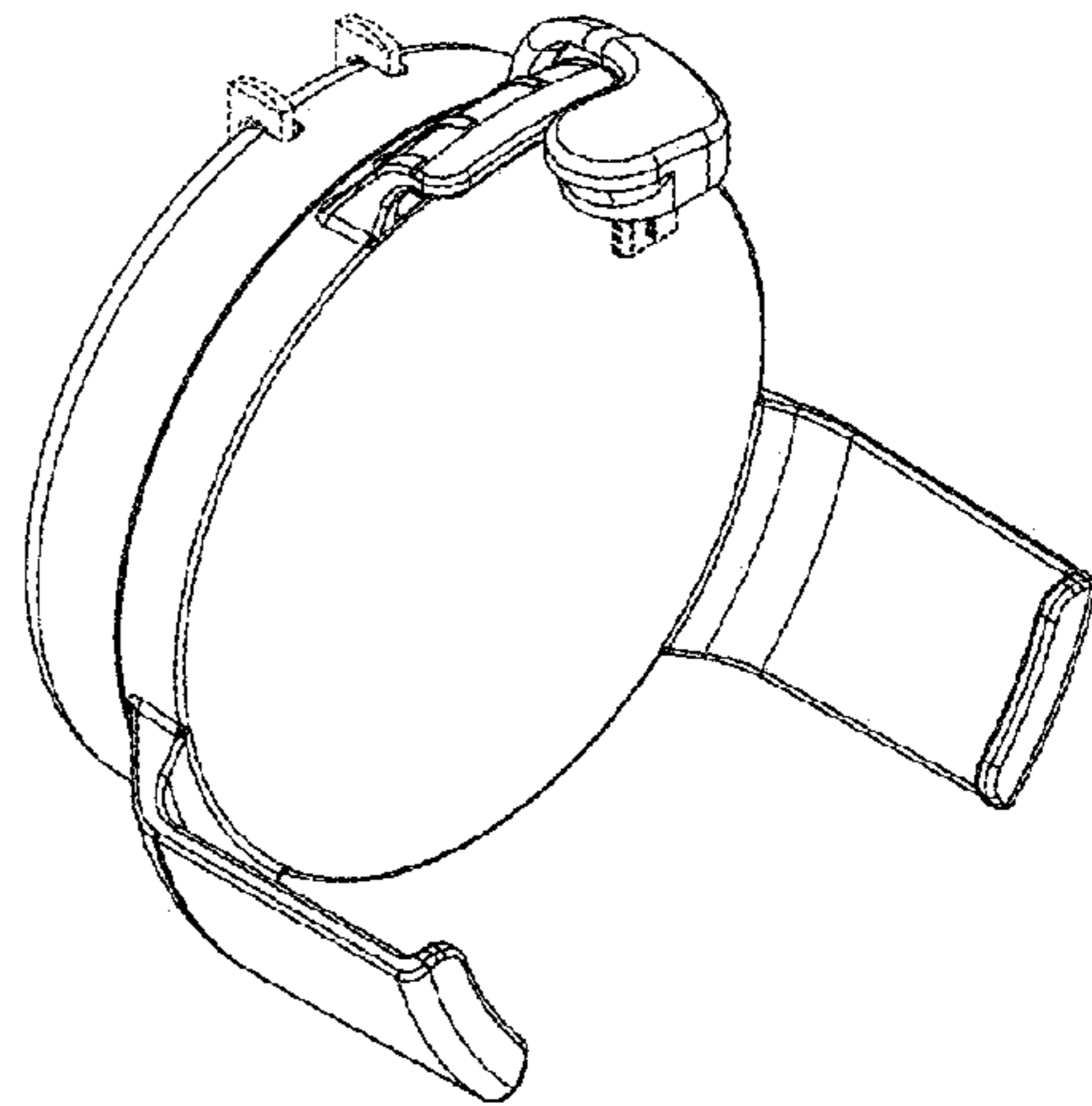


Fig. 4

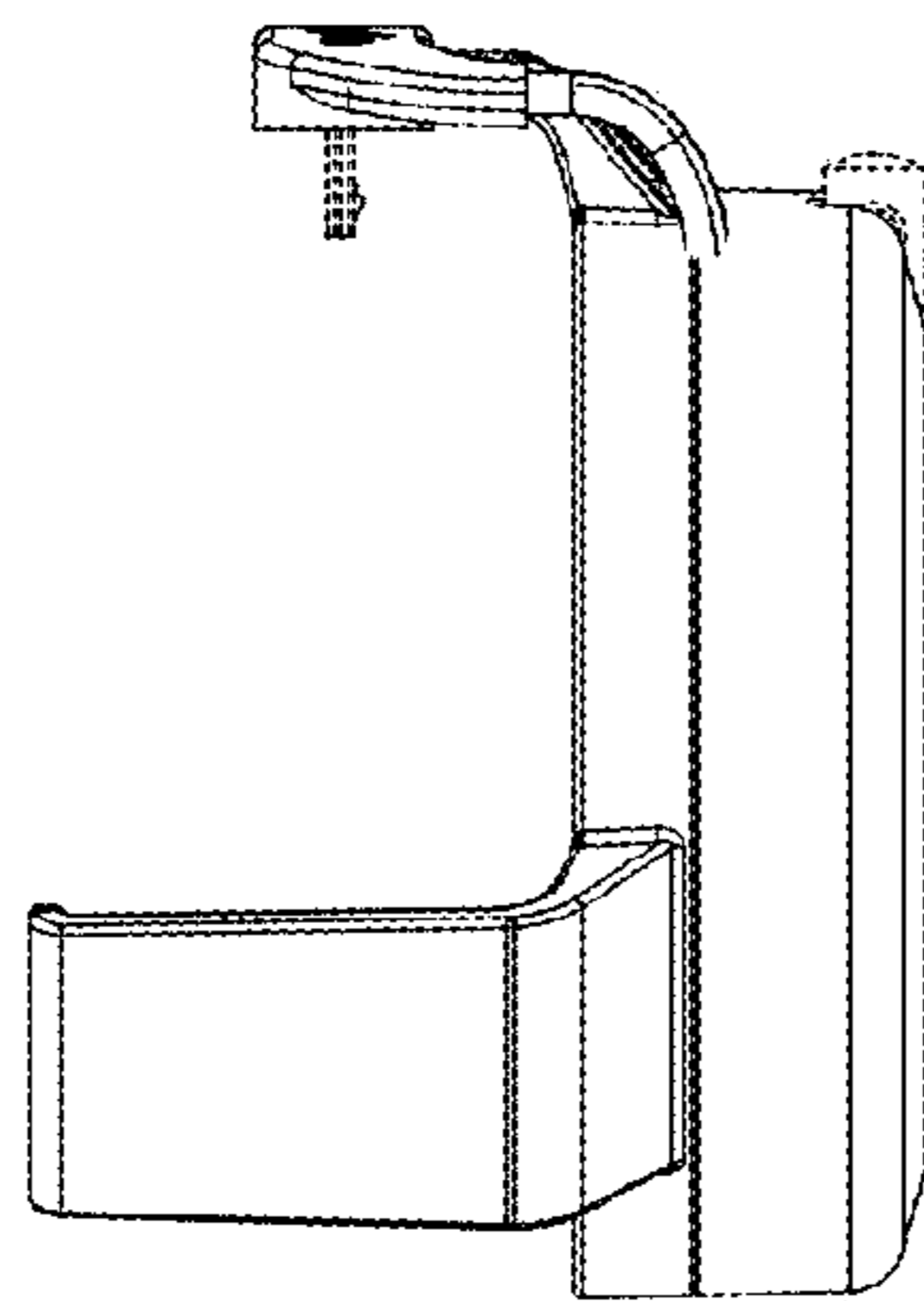


Fig. 5

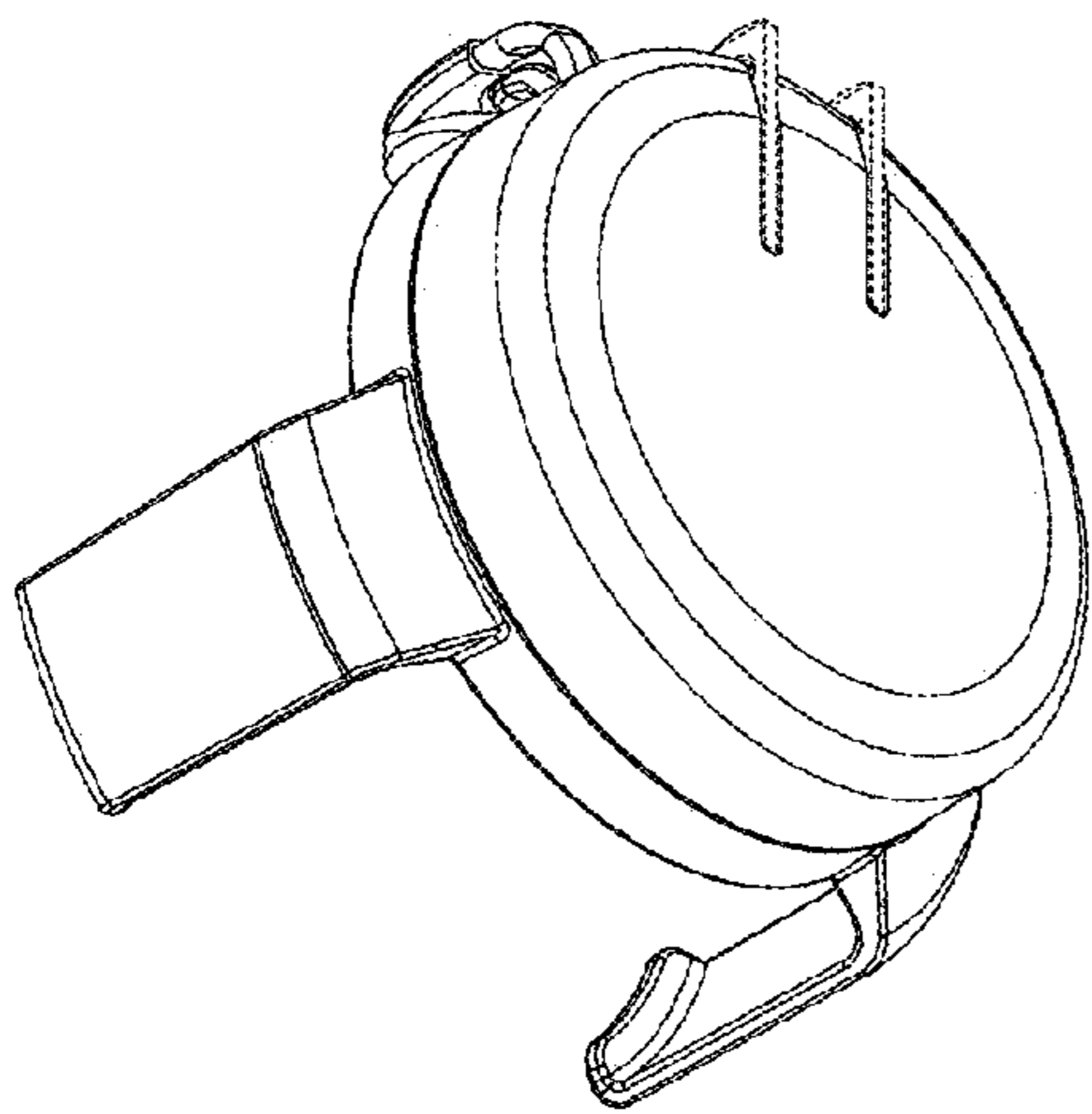


Fig. 6

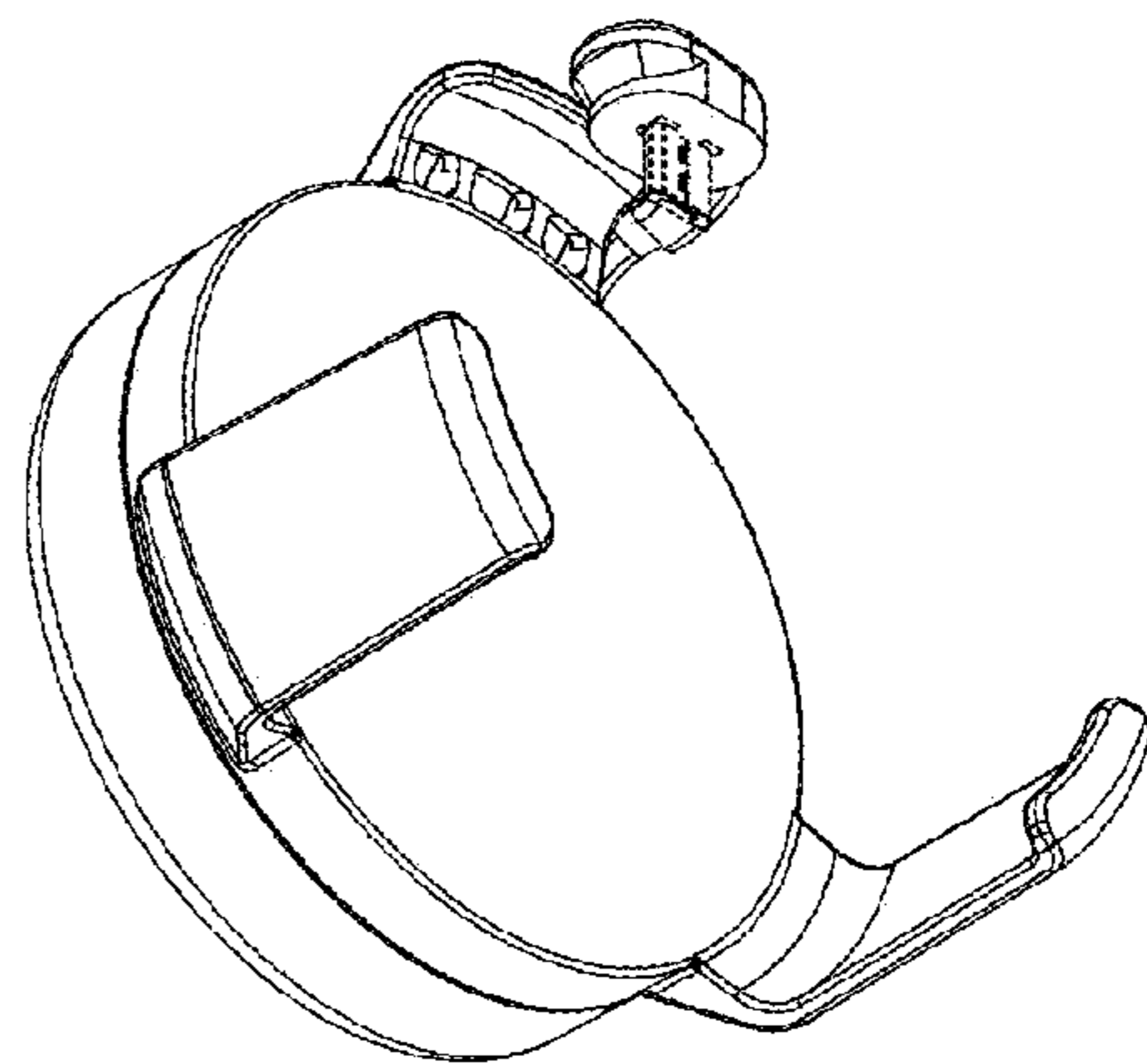


Fig. 7

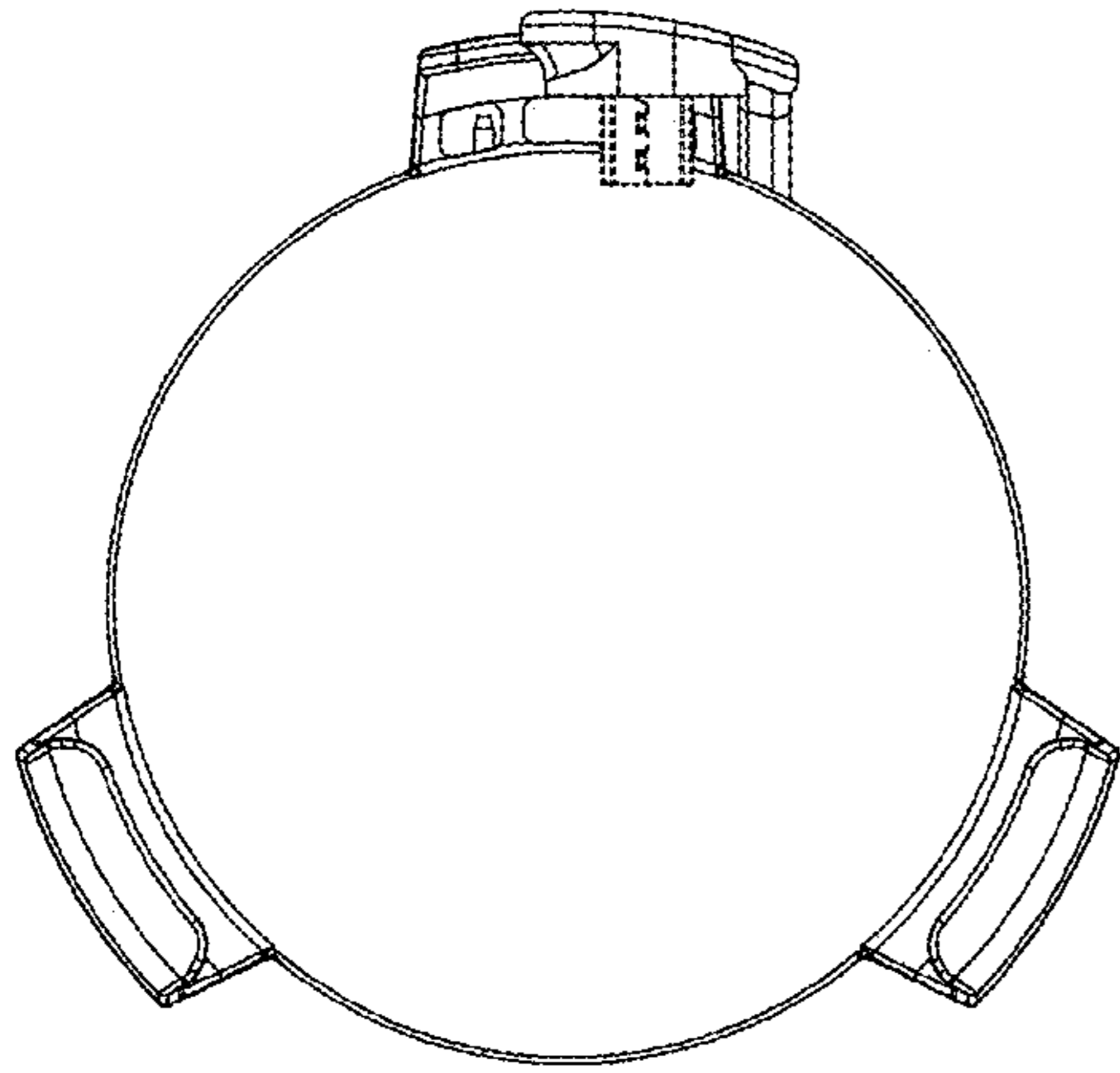


Fig. 8

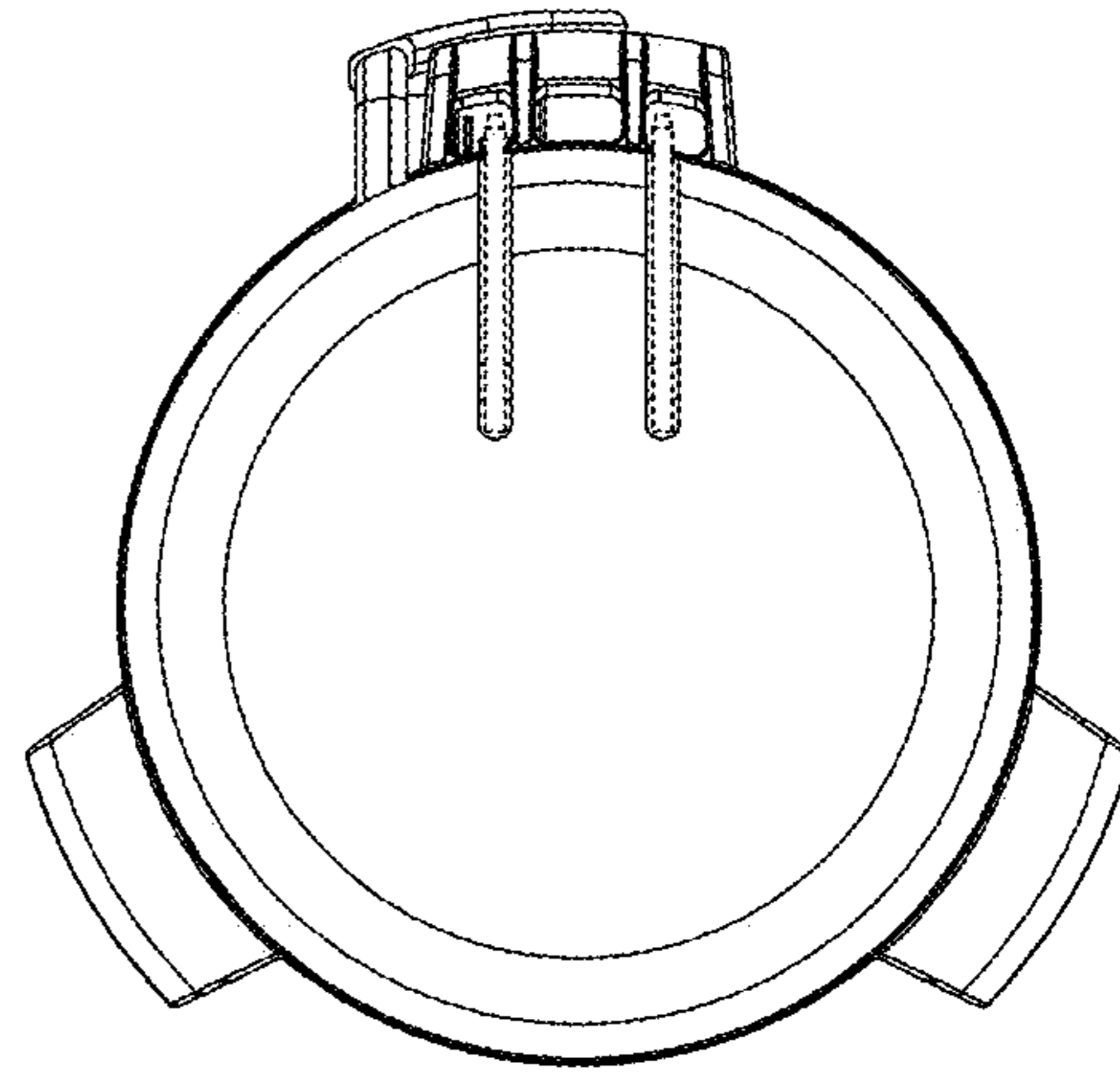


Fig. 9

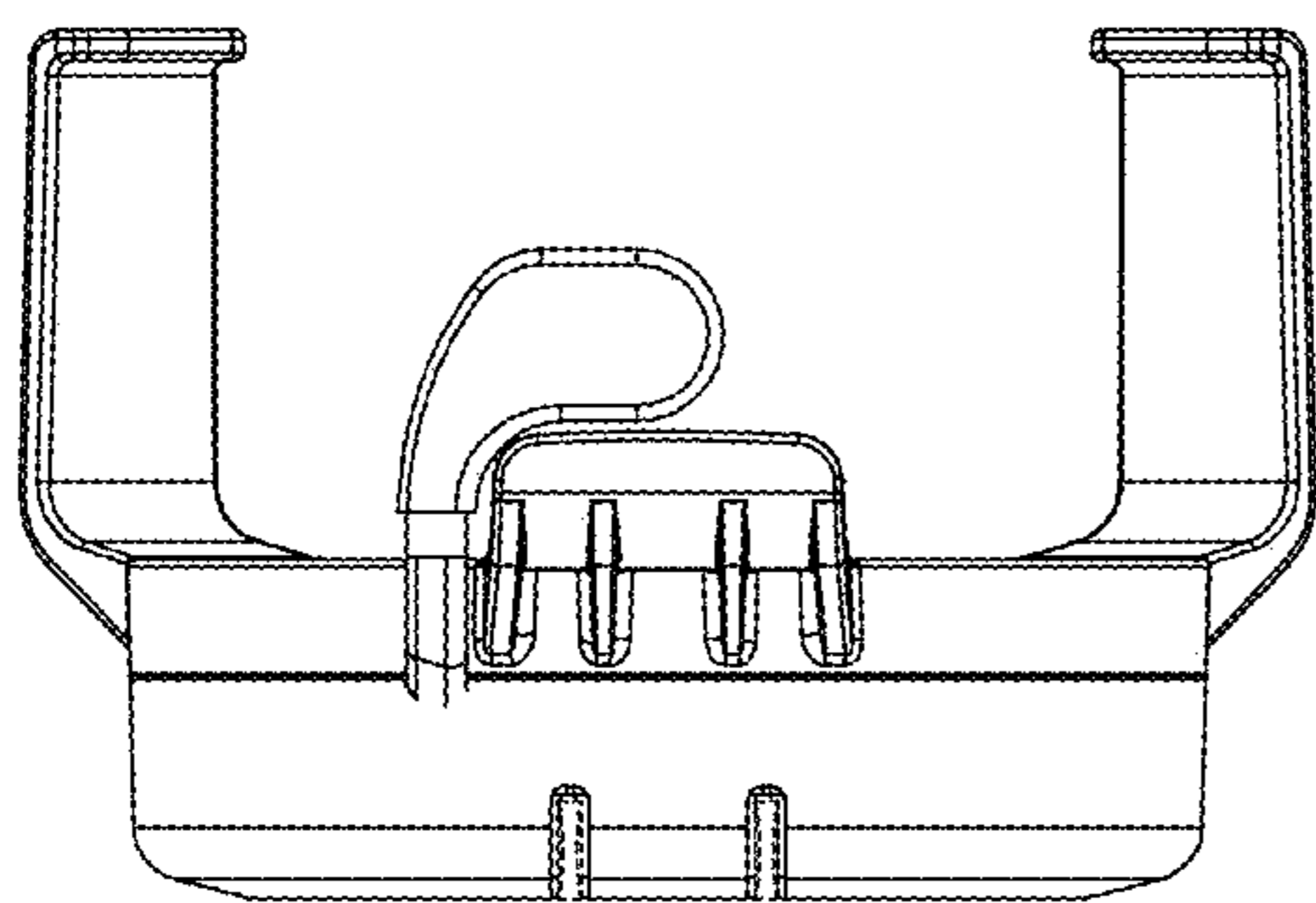


Fig. 10

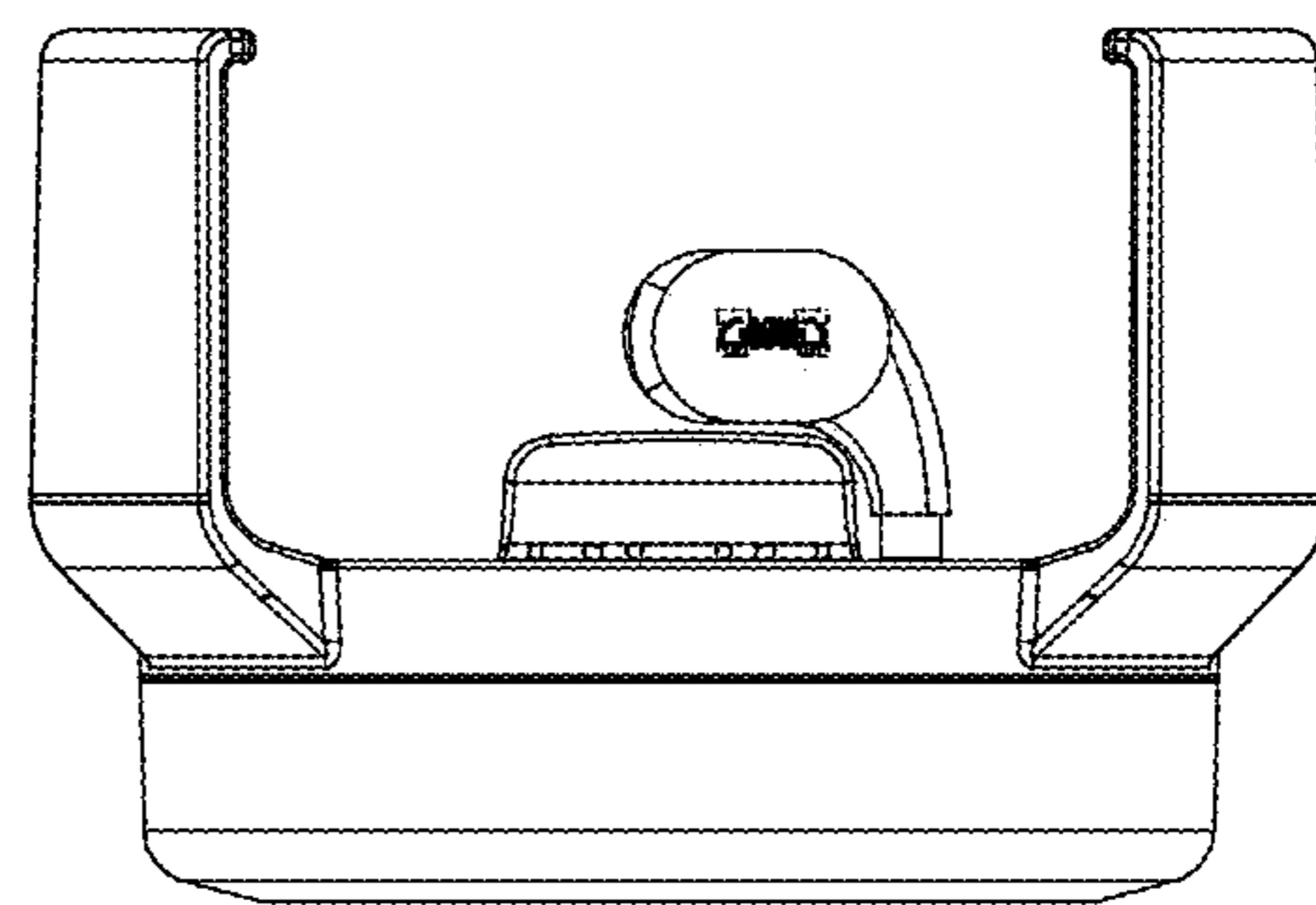


Fig. 11

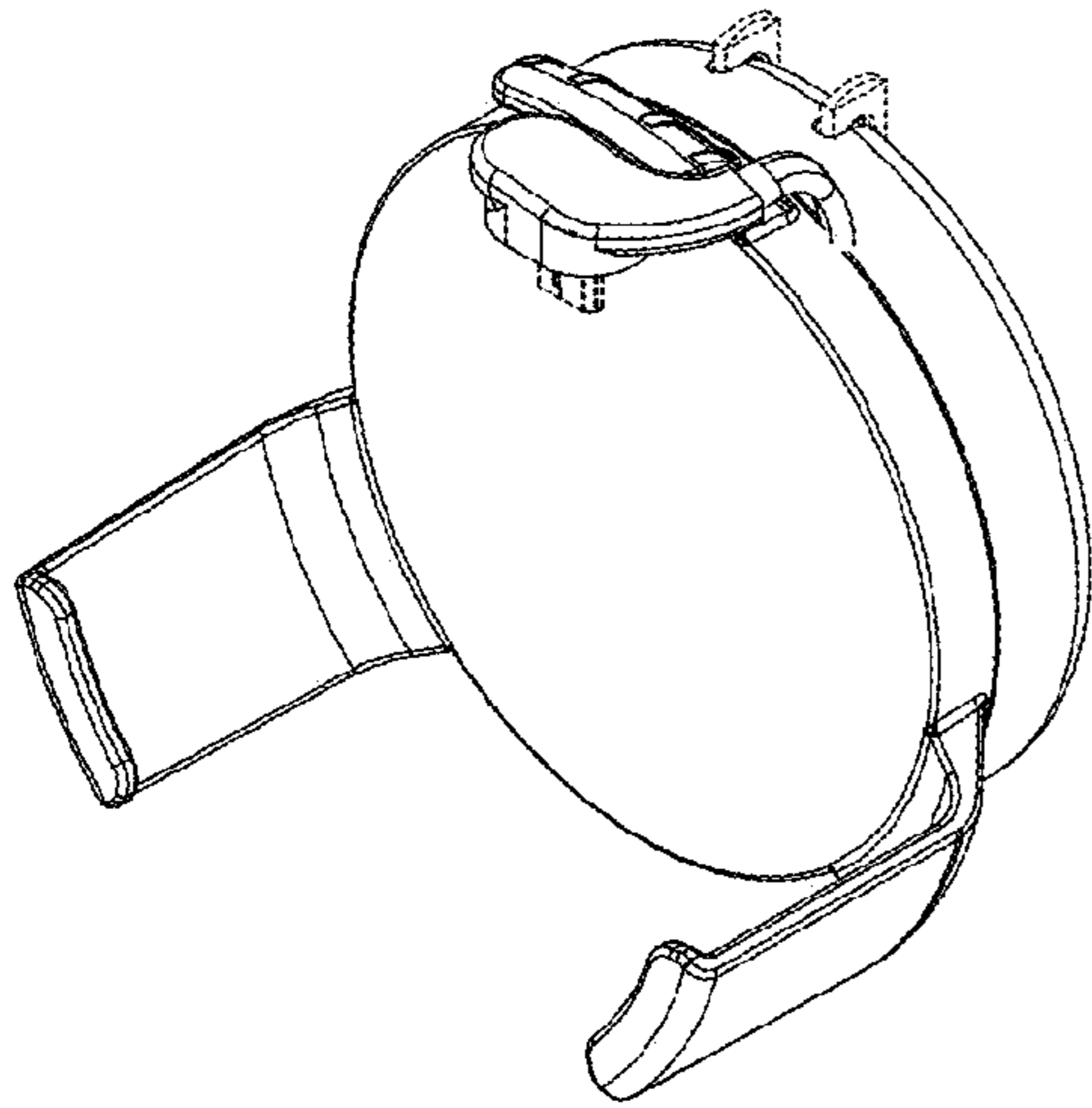


Fig. 12

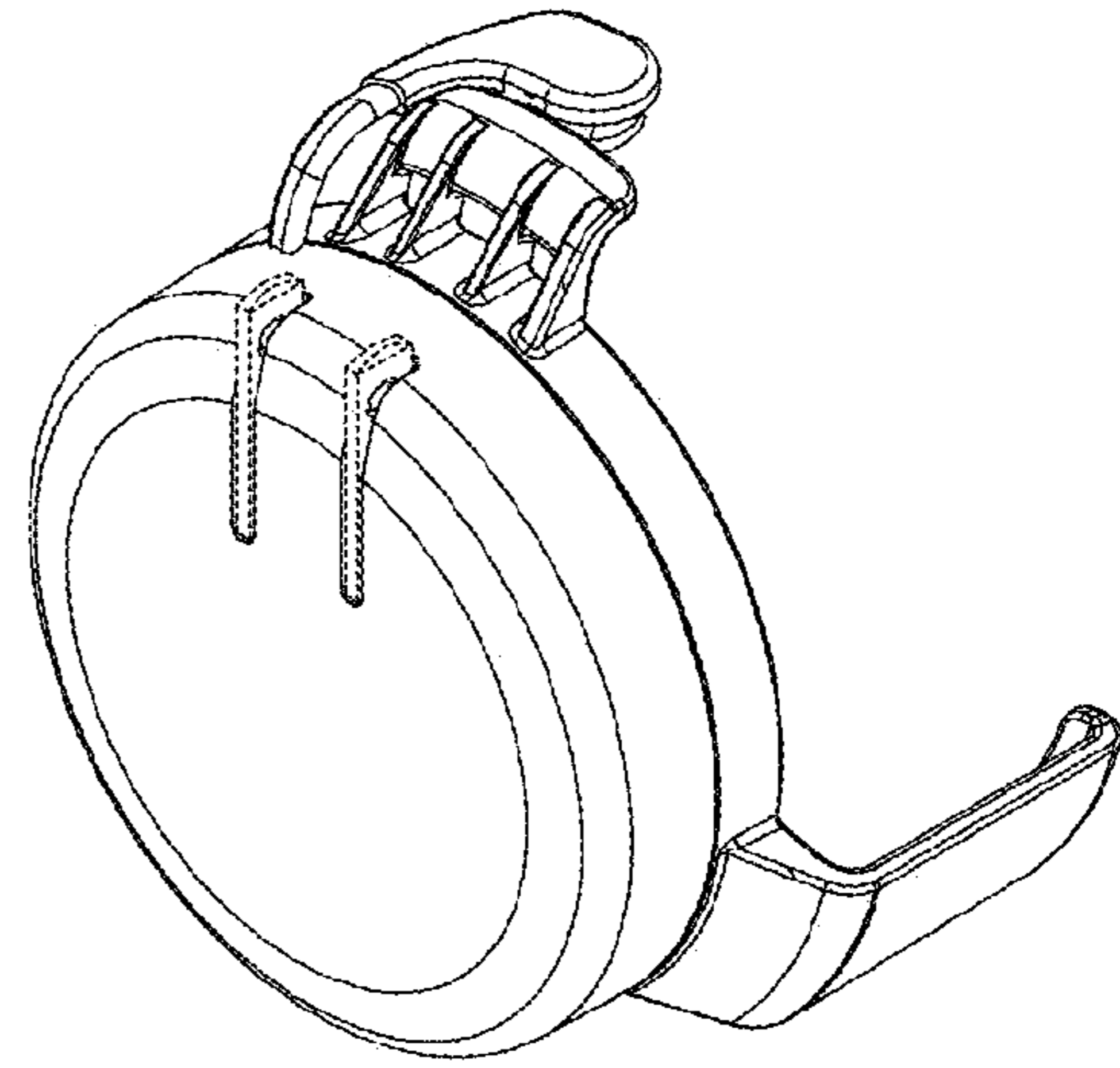


Fig. 13

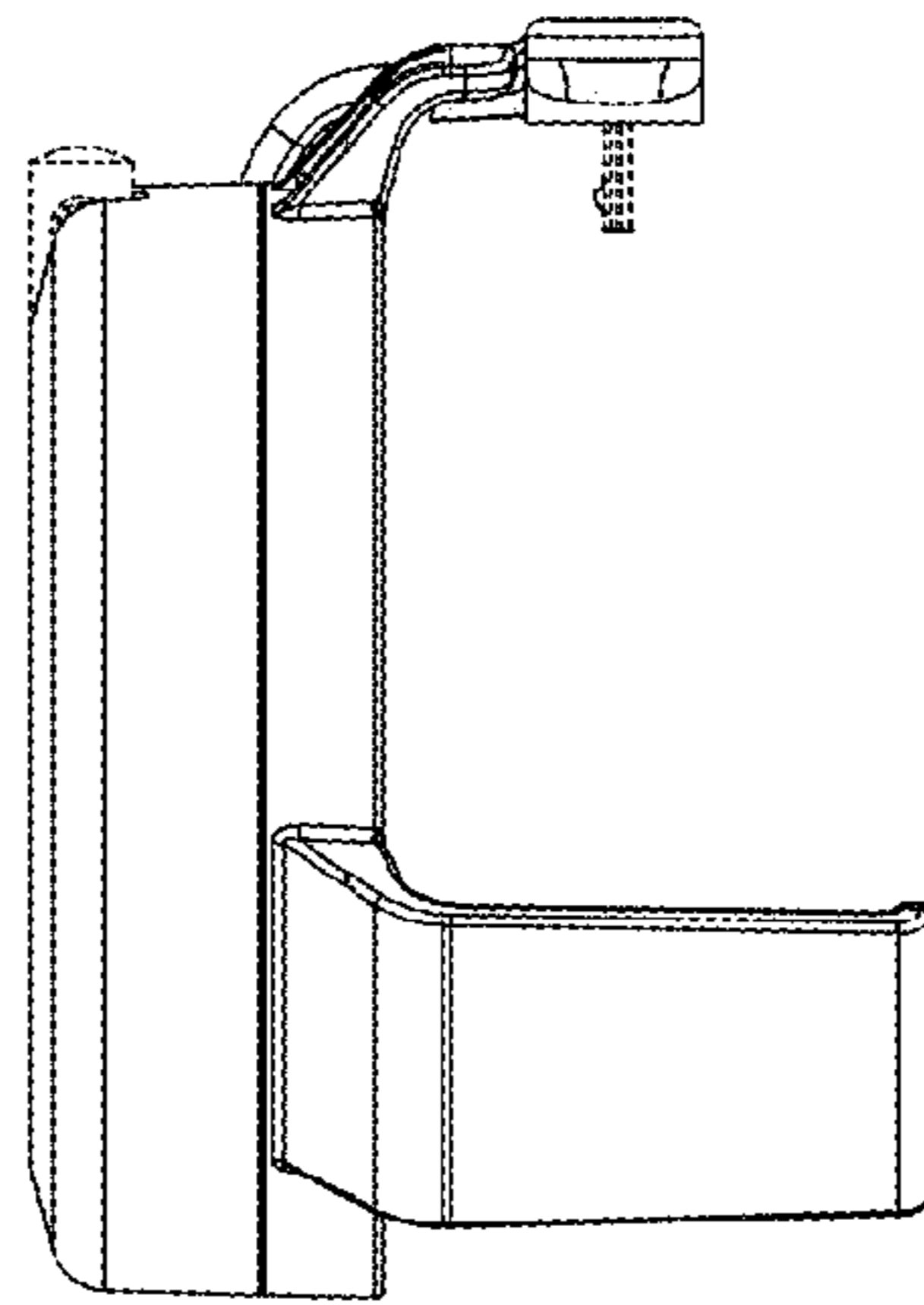


Fig. 14

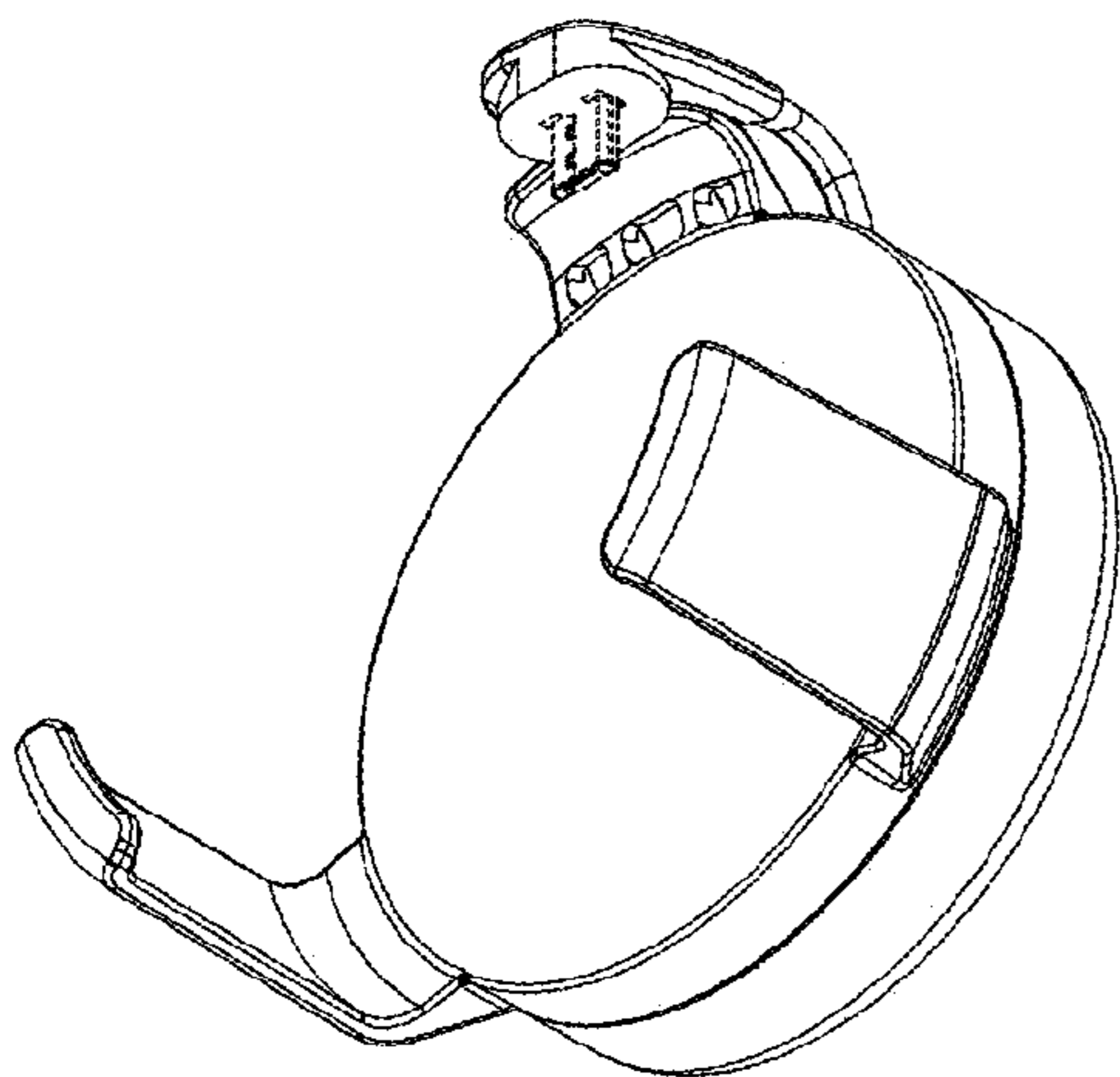


Fig. 15

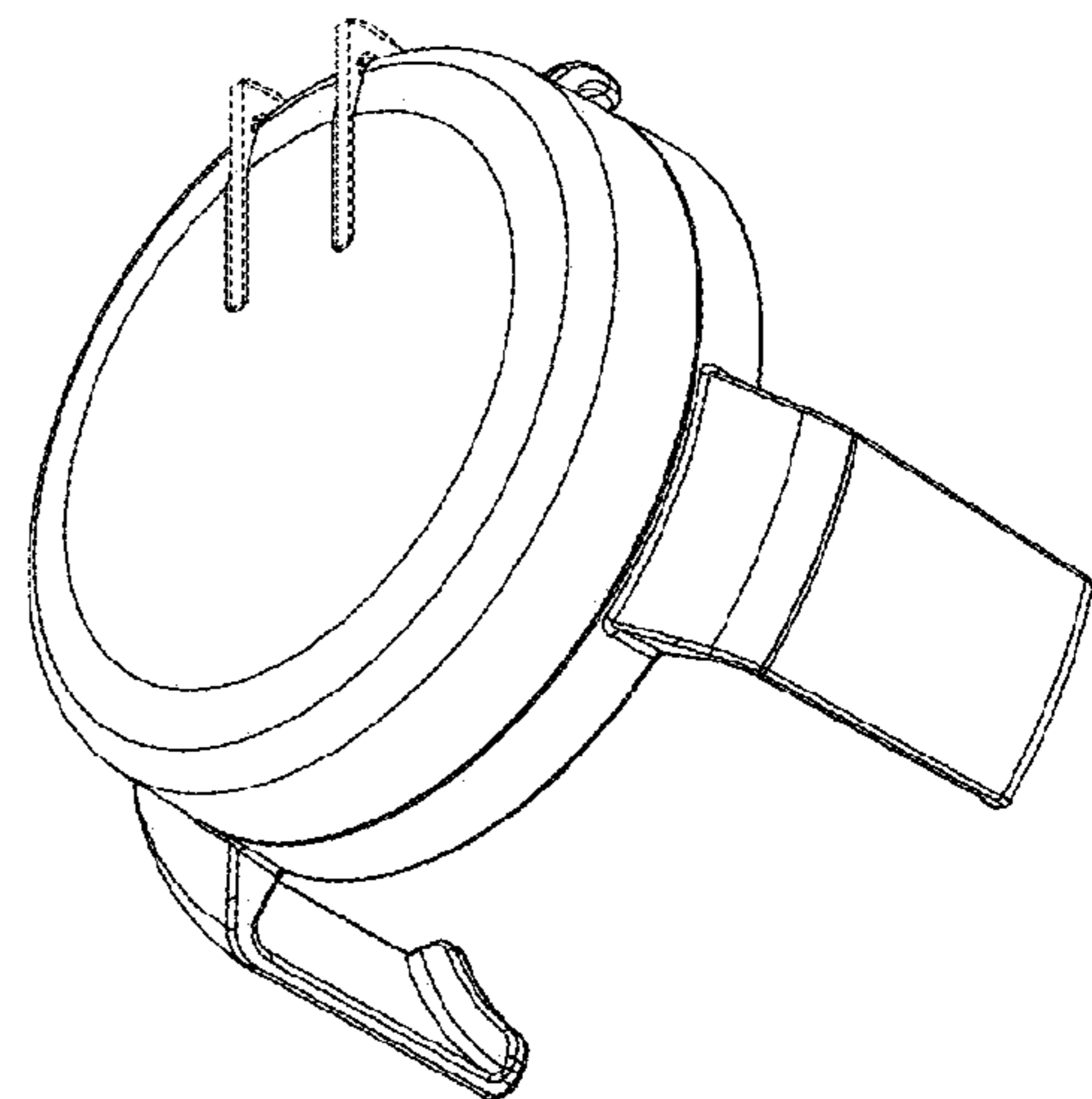


Fig. 16