



US00D908110S

(12) **United States Design Patent**
Zhou

(10) **Patent No.:** **US D908,110 S**
(45) **Date of Patent:** **** Jan. 19, 2021**

- (54) **HEADPHONE**
- (71) Applicant: **Yuzhi Zhou**, Hunan (CN)
- (72) Inventor: **Yuzhi Zhou**, Hunan (CN)
- (73) Assignee: **ZHONGTIAN DINGSHENG (SHENZHEN) INDUSTRY CO., LTD.**, Shenzhen (CN)
- (**) Term: **15 Years**
- (21) Appl. No.: **29/687,887**
- (22) Filed: **Apr. 16, 2019**
- (51) **LOC (13) Cl.** **14-01**
- (52) **U.S. Cl.**
USPC **D14/206; D14/226**
- (58) **Field of Classification Search**
USPC D14/206, 226, 225, 188, 192; 381/380, 381/381, 374; 455/90.3, 575.1, 569.1
CPC H04R 25/00; H04R 19/04; H04R 17/02; H04R 1/1066; H04R 1/1016; H04R 5/033; H04R 5/0335; H04R 25/02
See application file for complete search history.

D514,087 S *	1/2006	Wilson	D14/206
D517,527 S *	3/2006	Suzuki	D14/205
D517,528 S *	3/2006	Skulley	D14/206
D518,479 S *	4/2006	Skulley	D14/225
D531,165 S *	10/2006	Rath	D14/206
D540,303 S *	4/2007	Rausch	D14/205
D549,688 S *	8/2007	Suzuki	D14/205
D589,492 S *	3/2009	Mistry	D14/205
D600,674 S *	9/2009	Brennwald	D14/205
D604,266 S *	11/2009	Milde	D14/205
D641,727 S *	7/2011	Krauss	D14/206
D662,490 S *	6/2012	McSweyn	D14/205
D666,993 S *	9/2012	Kelley	D14/205
D672,745 S *	12/2012	Abed	D14/205
D673,522 S *	1/2013	Iijima	D14/205
D690,284 S *	9/2013	Brennwald	D14/205
D723,508 S *	3/2015	Garland	D14/205
D724,561 S *	3/2015	Ko	D14/205
D741,286 S *	10/2015	Brennwald	D14/205
D745,859 S *	12/2015	Kiuchi	D14/205
D769,219 S *	10/2016	Ohmachi	D14/205

(Continued)

Primary Examiner — Paula Allen Greene
(74) *Attorney, Agent, or Firm* — Justin Lampel

(57) **CLAIM**

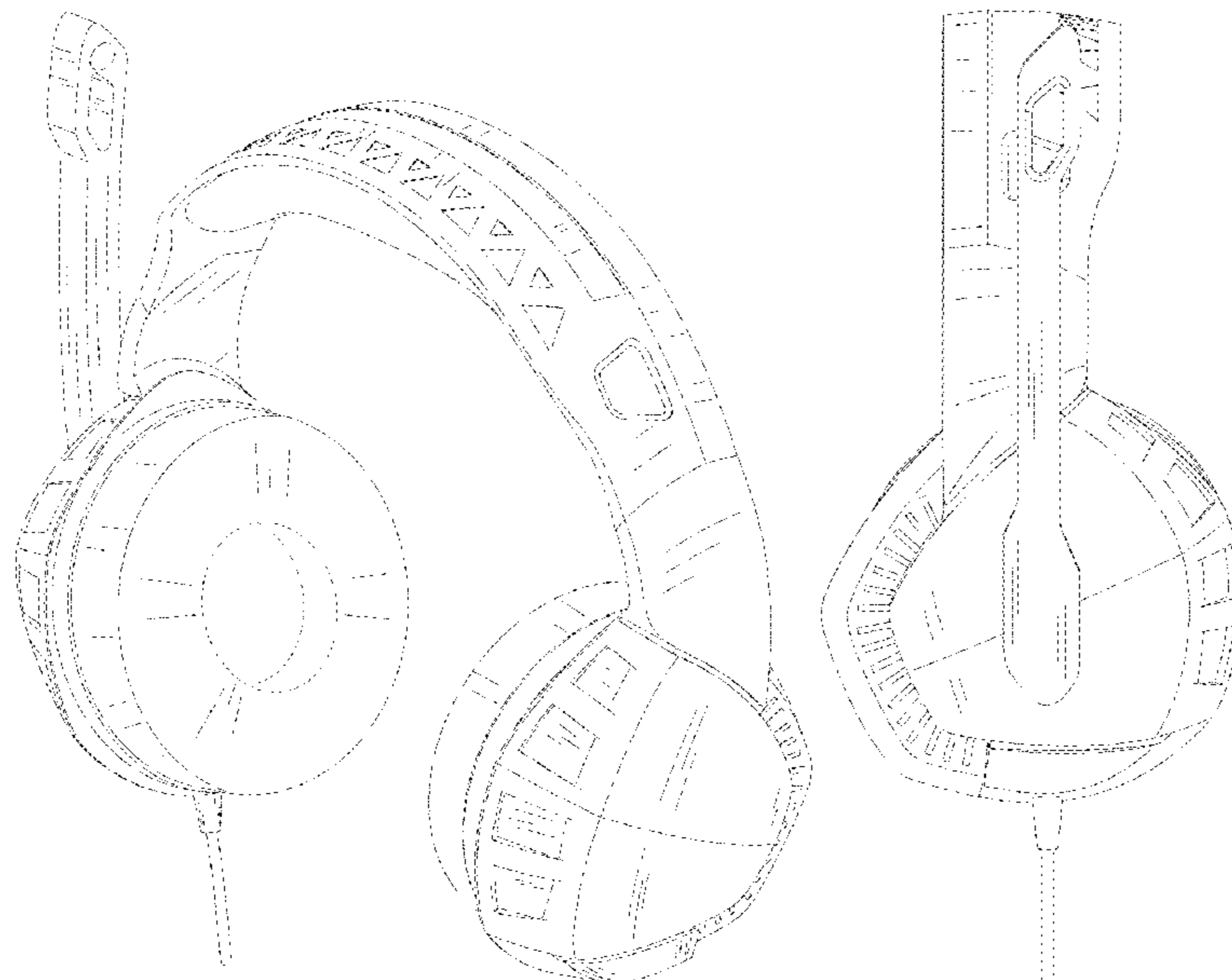
The ornamental design for a headphone, as shown and described.

DESCRIPTION

FIG. 1 is a perspective view of a headphone showing my new design;
FIG. 2 is a top plan view thereof;
FIG. 3 is a rear elevational view thereof;
FIG. 4 is a bottom plan view thereof;
FIG. 5 is a right side view thereof;
FIG. 6 is a front elevational view thereof; and,
FIG. 7 is a left side view thereof.
The broken lines depict environment that forms no part of the claimed design.

1 Claim, 7 Drawing Sheets

- (56) **References Cited**
U.S. PATENT DOCUMENTS
- 4,420,657 A * 12/1983 Larkin H04M 1/05 181/129
- D299,335 S * 1/1989 Wiegel D14/205
- D447,472 S * 9/2001 McGugan D14/225
- D457,155 S * 5/2002 Skulley D14/206
- D464,943 S * 10/2002 Lai D14/206
- 6,560,346 B2 * 5/2003 Ohta H04R 1/083 381/370
- D476,645 S * 7/2003 Padala D14/223
- D497,357 S * 10/2004 Allum D14/206
- D504,419 S * 4/2005 Bey D14/223
- D505,413 S * 5/2005 Skulley D14/223
- D508,483 S * 8/2005 Suzuki D14/205



(56)

References Cited

U.S. PATENT DOCUMENTS

D788,071	S	*	5/2017	Logan	D14/205
D808,359	S	*	1/2018	Meyer	D14/205
D815,614	S	*	4/2018	Tzeng	D14/205
D824,360	S	*	7/2018	Hsieh	D14/205
D843,349	S	*	3/2019	Burgess	D14/206
D845,927	S	*	4/2019	Wang	D14/206
D851,064	S	*	6/2019	Wang	D14/206
D856,967	S	*	8/2019	Tang	D14/206
D856,968	S	*	8/2019	Tang	D14/206
D856,969	S	*	8/2019	Tang	D14/206
D856,970	S	*	8/2019	Tang	D14/206
D856,971	S	*	8/2019	Tang	D14/206
D864,157	S	*	10/2019	Hu	D14/206
D866,515	S	*	11/2019	Long	D14/206
D868,028	S	*	11/2019	Paterson	D14/205
D868,734	S	*	12/2019	Wang	D14/206
D870,696	S	*	12/2019	Deng	D14/206
D870,698	S	*	12/2019	Long	D14/206
D876,392	S	*	2/2020	Zhou	D14/206
D883,950	S	*	5/2020	Liu	D14/206
D890,131	S	*	7/2020	Shen	D14/206
D894,869	S	*	9/2020	Tang	D14/206
2017/0064436	A1	*	3/2017	Tamura	H04R 1/1066

* cited by examiner

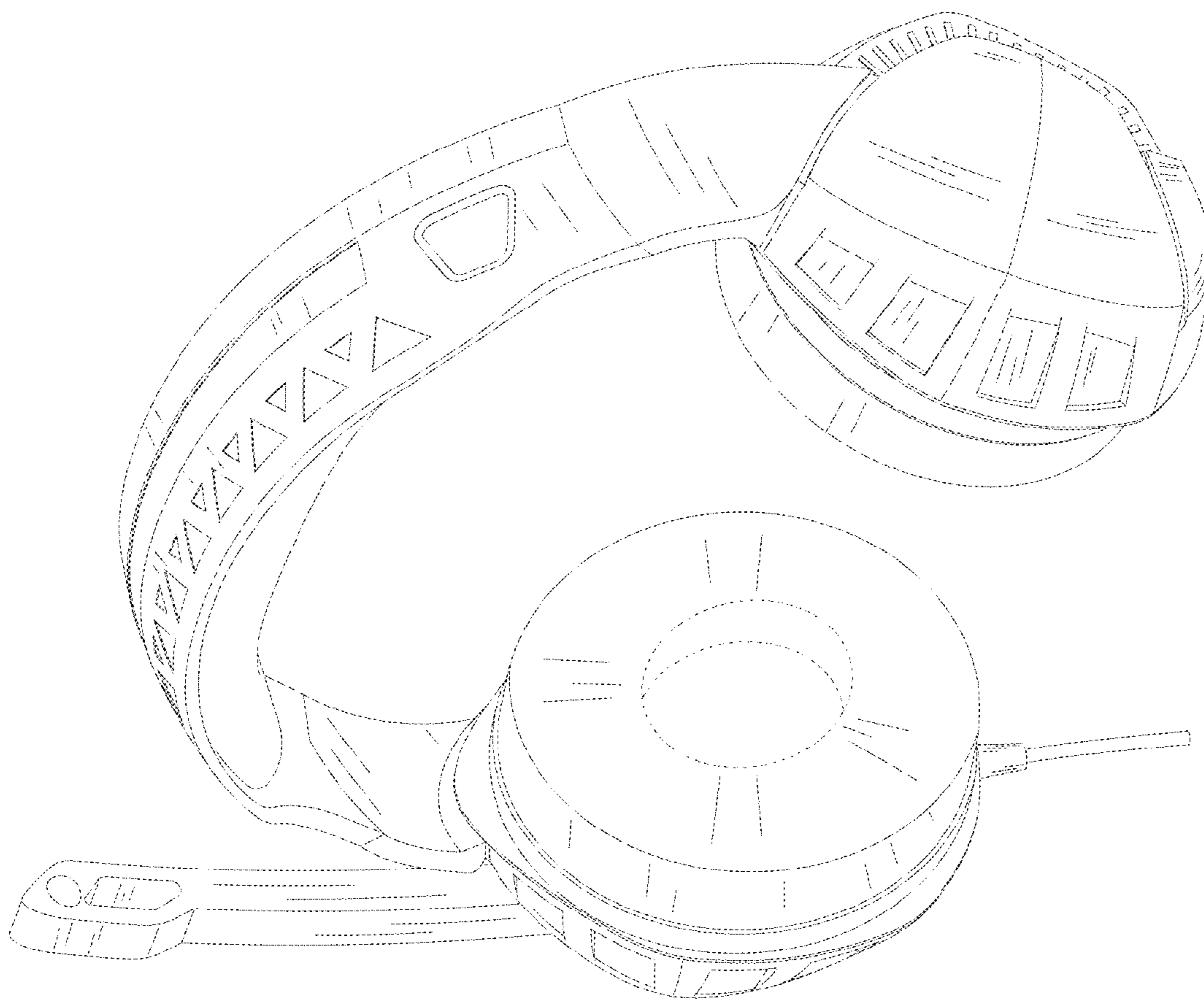


FIG. 1

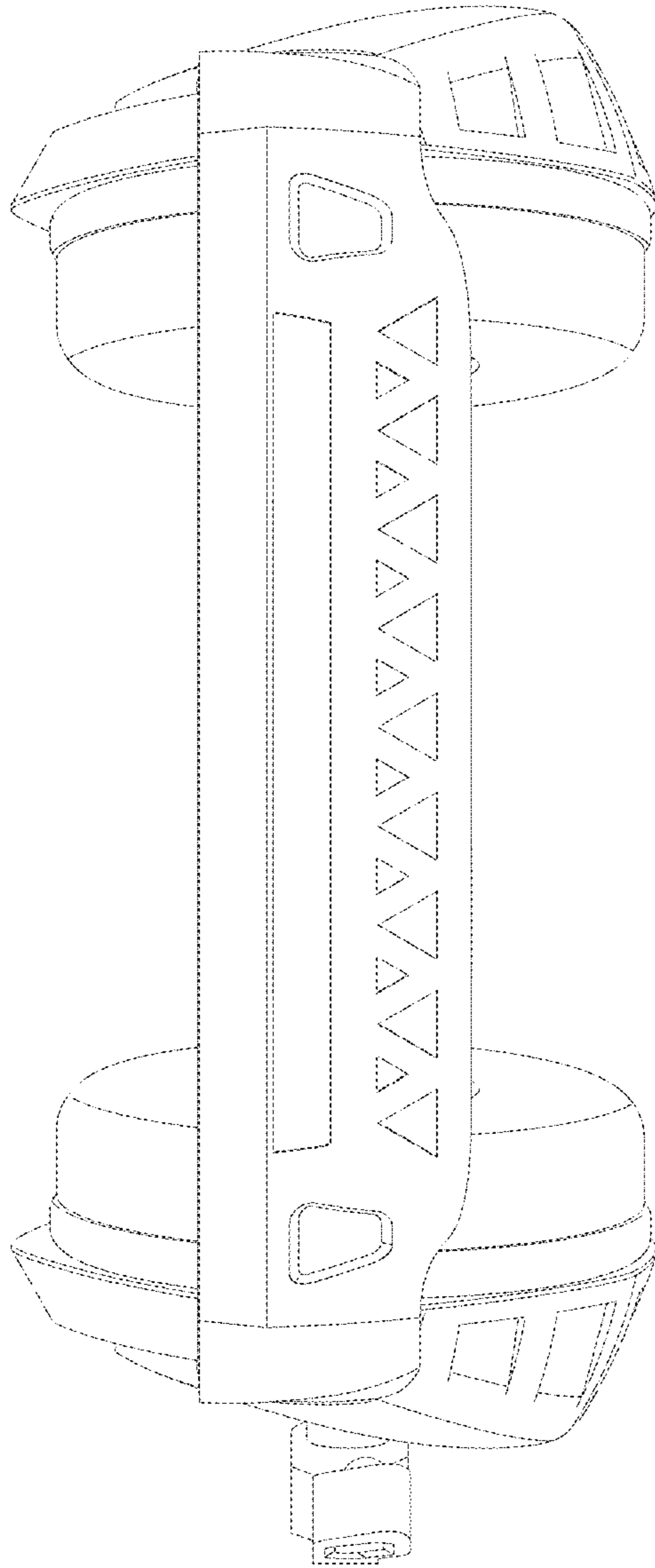


FIG. 2

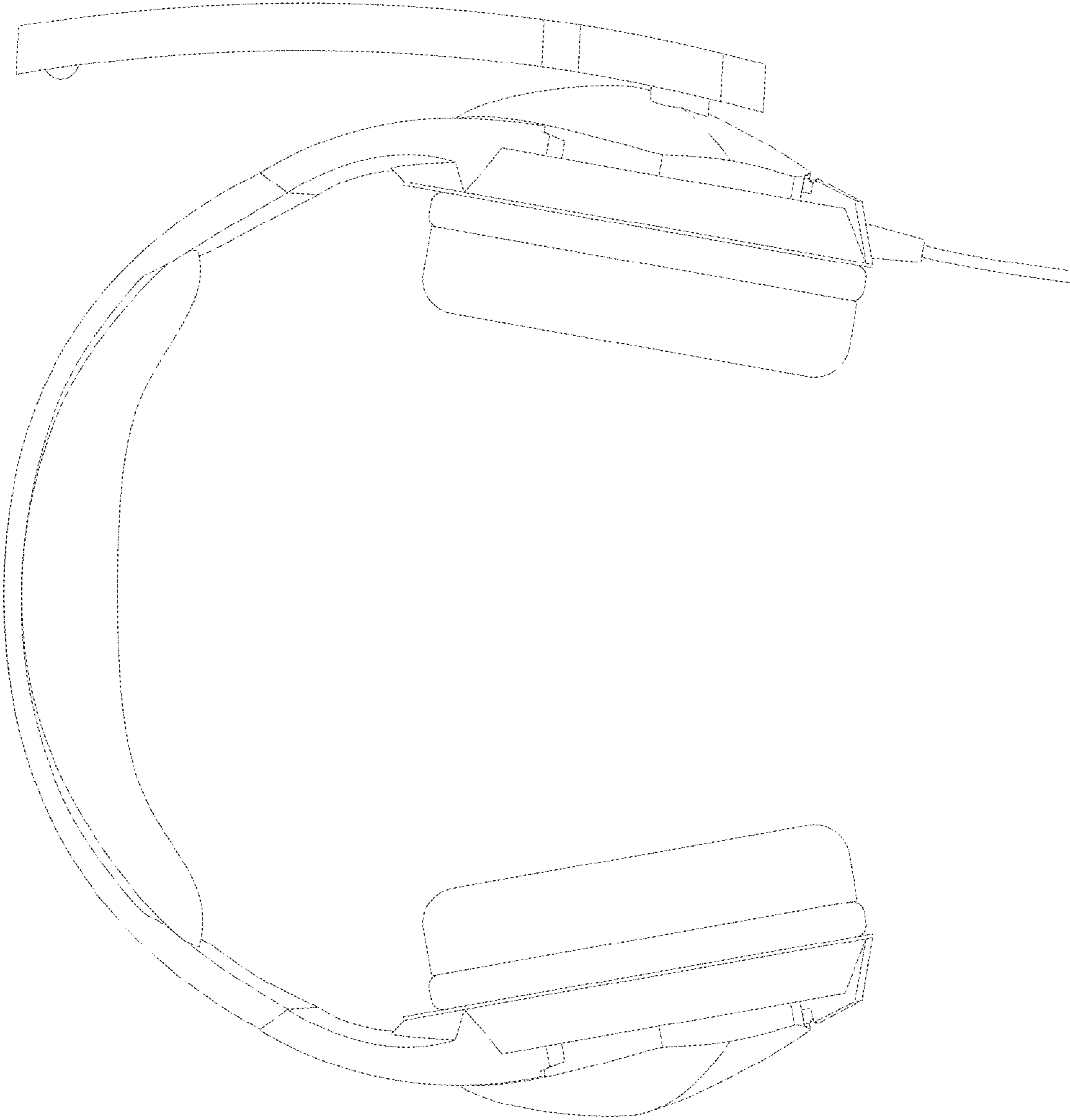


FIG. 3

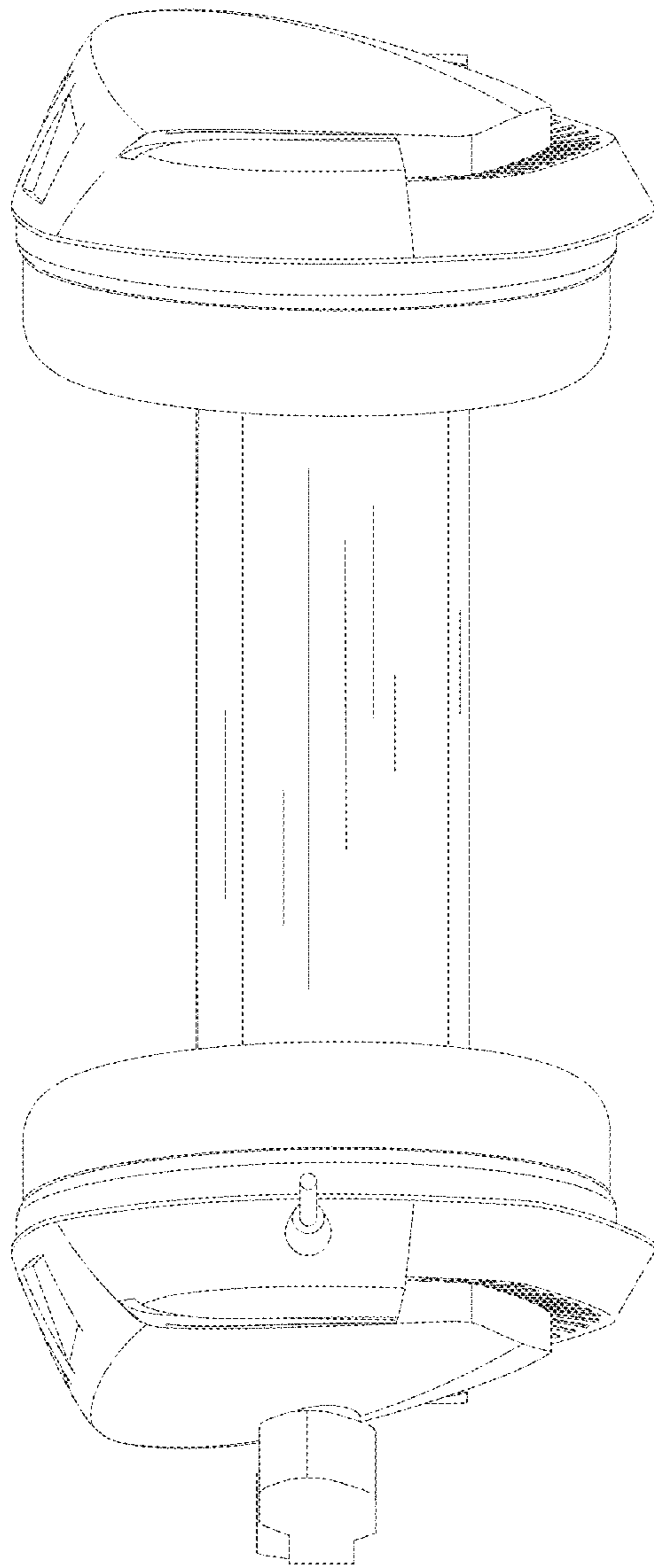


FIG.4

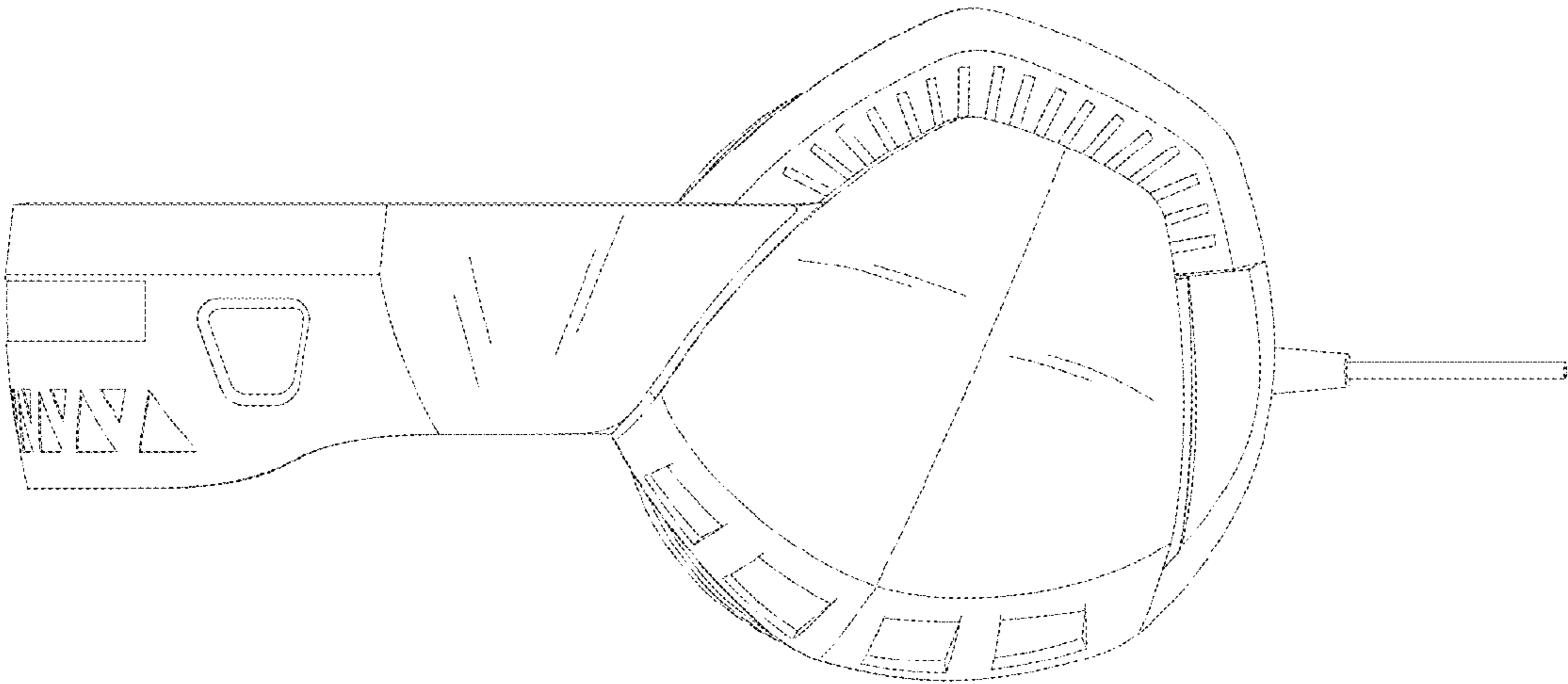


FIG. 5

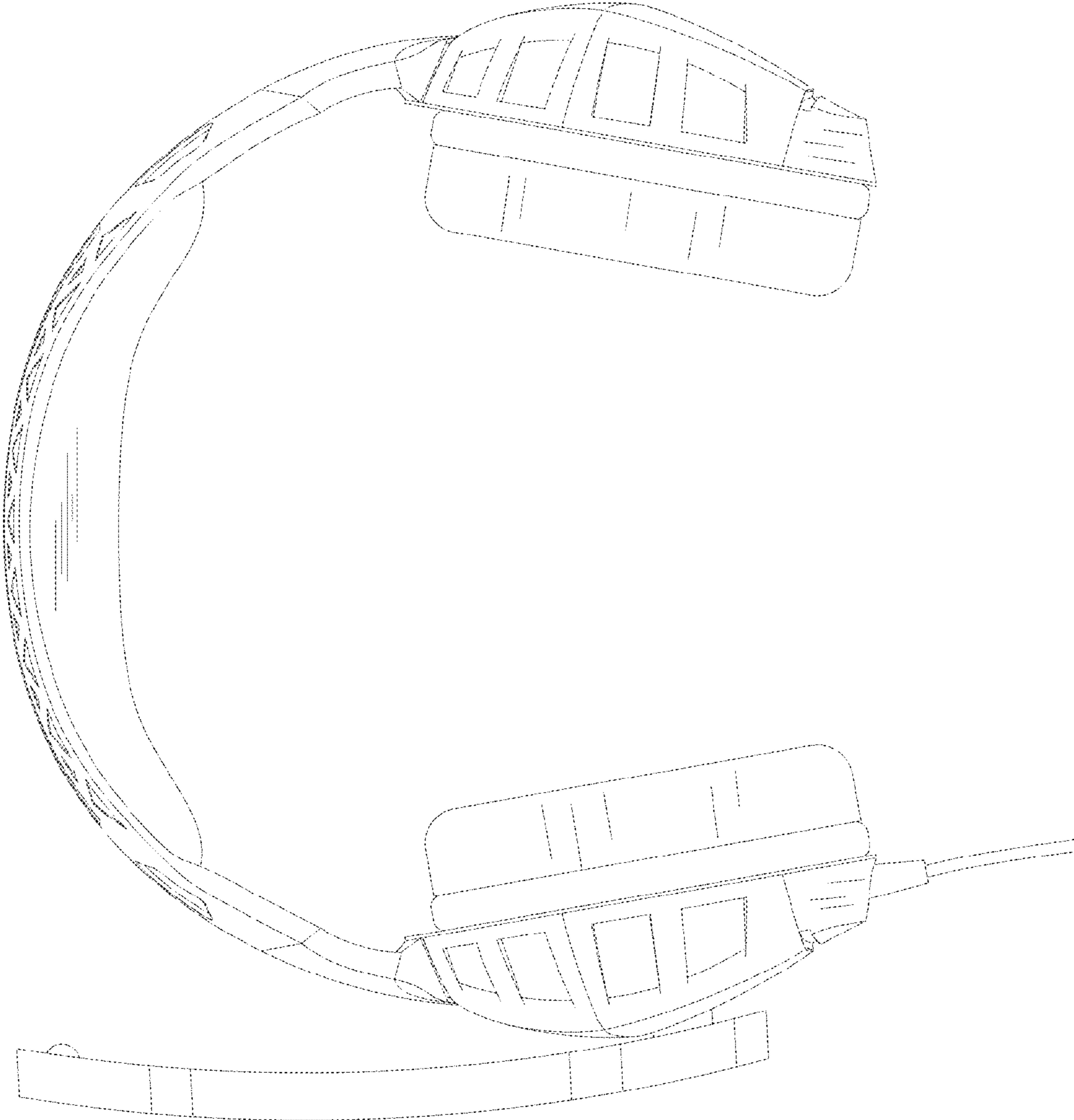


FIG.6

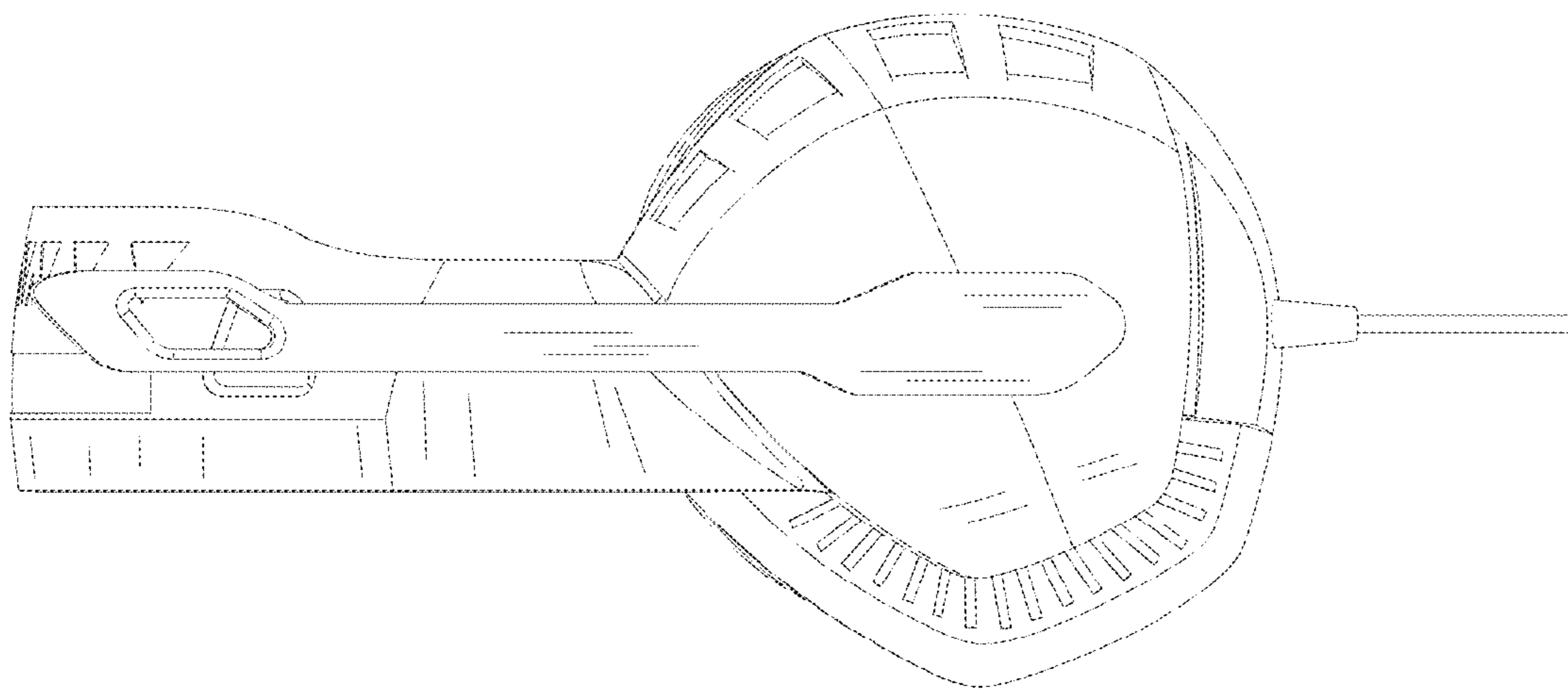


FIG. 7