



US00D908098S

(12) **United States Design Patent**
Kim

(10) **Patent No.:** **US D908,098 S**
(45) **Date of Patent:** **** Jan. 19, 2021**

(54) **BRANCH CONNECTION SLEEVE FOR POWER LINE AND GROUND WIRE**

(71) Applicant: **Electric Solutions Co., Ltd.**,
Cheonan-si (KR)

(72) Inventor: **Gun-Hwan Kim**, Seoul (KR)

(73) Assignee: **ELECTRIC SOLUTIONS CO., LTD.**,
Cheonan-si (KR)

(**) Term: **15 Years**

(21) Appl. No.: **29/710,899**

(22) Filed: **Oct. 28, 2019**

(30) **Foreign Application Priority Data**

Oct. 11, 2019 (KR) 30-2019-0048629

(51) **LOC (13) Cl.** **13-03**

(52) **U.S. Cl.**
USPC **D13/155; D13/133**

(58) **Field of Classification Search**

USPC D13/118, 123, 133, 146, 147, 153–156,
D13/173, 184, 199; D8/349, 354, 356,
D8/382, 383

CPC F16G 13/06; F16G 15/00; H01R 4/00;
H01R 4/08; H01R 4/10; H01R 4/18;
H01R 4/186; H01R 4/20; H01R 4/24;
H01R 4/64

See application file for complete search history.

(56) **References Cited**

U.S. PATENT DOCUMENTS

1,456,361 A * 5/1923 Clark F16G 15/02
59/87
2,956,108 A * 10/1960 Brenner H01R 4/186
174/94 R
3,022,370 A * 2/1962 Osborn H01R 4/186
174/71 R
3,053,930 A * 9/1962 Mallanik H01R 4/186
174/94 R

3,235,654 A * 2/1966 Eldridge, Jr. H01R 4/186
174/94 R
3,781,459 A * 12/1973 Peek H01R 4/186
174/94 R
4,350,843 A * 9/1982 Campbell H01R 4/186
174/84 C
4,940,856 A * 7/1990 Bock H01R 4/186
174/84 C
5,103,068 A * 4/1992 Schrader H01R 4/186
174/94 R

(Continued)

OTHER PUBLICATIONS

O-Z Gedney Cable Supports, dated Dec. 2007, [online], [site visited Nov. 19, 2020]. Available from Internet, URL: <https://rexel-cdn.com/Products/AB1FBA6C-CB76-4113-BC90-4A547401BBD3/AB1FBA6C-CB76-4113-BC90-4A547401BBD3.pdf> (Year: 2007).*

(Continued)

Primary Examiner — Shawn T Gingrich

(74) *Attorney, Agent, or Firm* — Novick, Kim & Lee,
PLLC; Jae Youn Kim; Hyun Woo Shin

(57)

CLAIM

I claim, the ornamental design for a branch connection sleeve for power line and ground wire, as shown and described.

DESCRIPTION

FIG. 1 is a left side perspective view of a branch connection sleeve for power line and ground wire, showing my new design;

FIG. 2 is a right side perspective view thereof;

FIG. 3 is a front elevational view thereof;

FIG. 4 is a rear elevational view thereof;

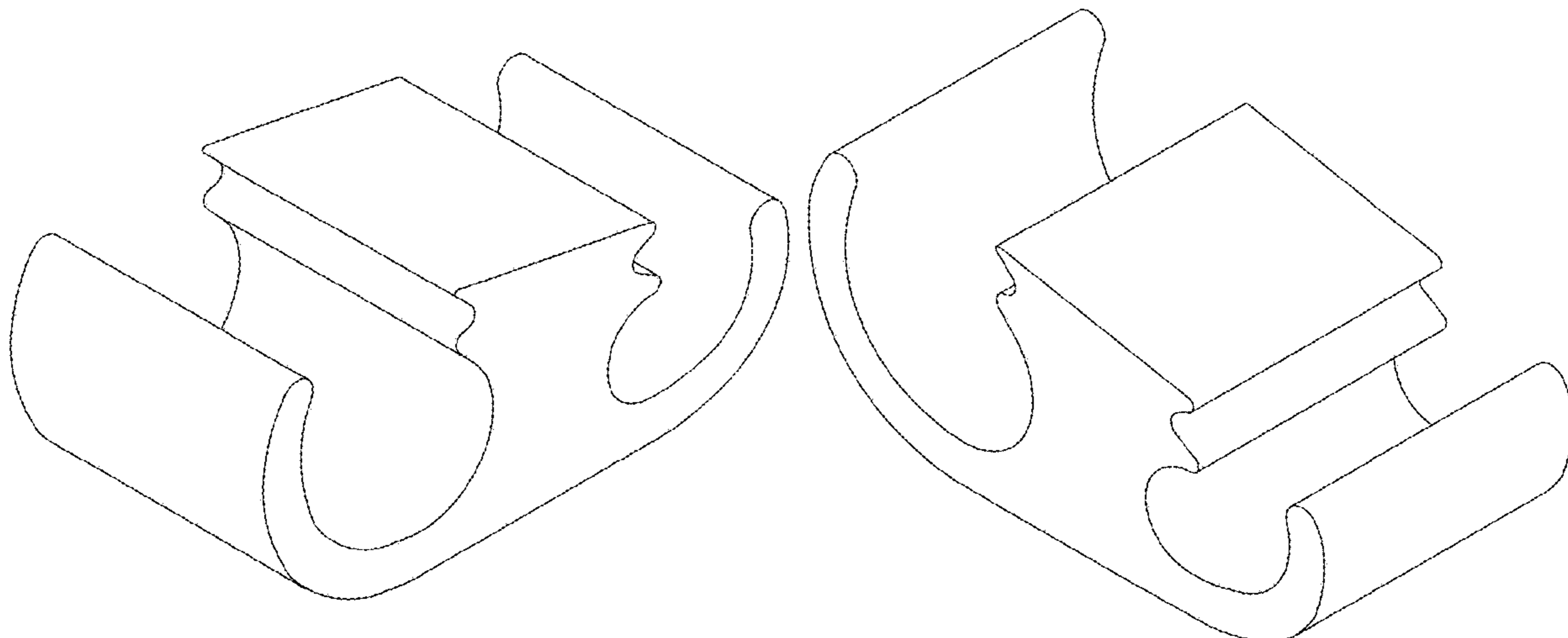
FIG. 5 is a left side elevational view thereof;

FIG. 6 is a right side elevational view thereof;

FIG. 7 is a top plan view thereof; and,

FIG. 8 is a bottom plan view thereof.

1 Claim, 4 Drawing Sheets



(56)

References Cited

U.S. PATENT DOCUMENTS

5,200,576 A * 4/1993 Schrader H01R 4/186
174/71 R
7,053,307 B2 * 5/2006 Kossak H01R 4/186
174/84 C
D530,190 S * 10/2006 Wall D8/382
D542,633 S * 5/2007 Heindl D8/382
7,511,224 B1 * 3/2009 Kossak H01R 4/186
174/84 R
D771,560 S * 11/2016 Sweeney D13/102
D852,354 S * 6/2019 Wrangmark D24/128
D887,367 S * 6/2020 Howard D13/155
D895,408 S * 9/2020 Heindl D8/382
2006/0201695 A1 * 9/2006 Kossak H01R 4/186
174/84 R
2013/0283755 A1 * 10/2013 Walenta B60C 27/08
59/85

OTHER PUBLICATIONS

Lenz Sport Cable Guide, dated Jul. 30, 2016, [online], [site visited Nov. 19, 2020]. Available from Internet, URL: <http://lenzsport.com/product/cable-guide-3-slot-cable-guide/> (Year: 2016).*

Herrmans Double Cable Holder Housing Guide, dated Dec. 4, 2017, [online], [site visited Nov. 19, 2020]. Available from Internet, URL: <https://www.amazon.com/DOUBLE-HOUSING-DIAMETER-DERAILLEUR-VINTAGE/dp/B007M09VAG/> (Year: 2017).*

* cited by examiner

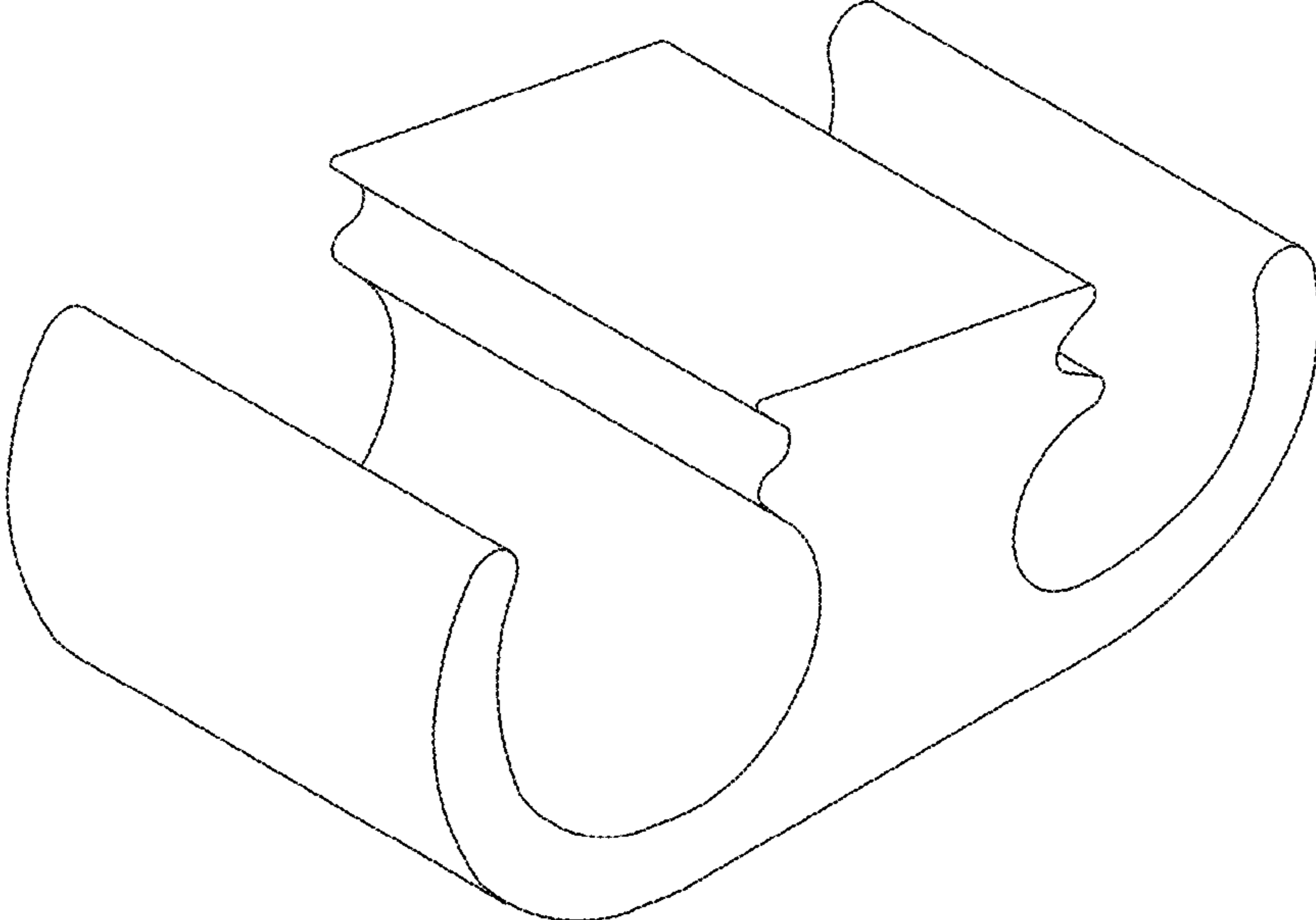


FIG. 1

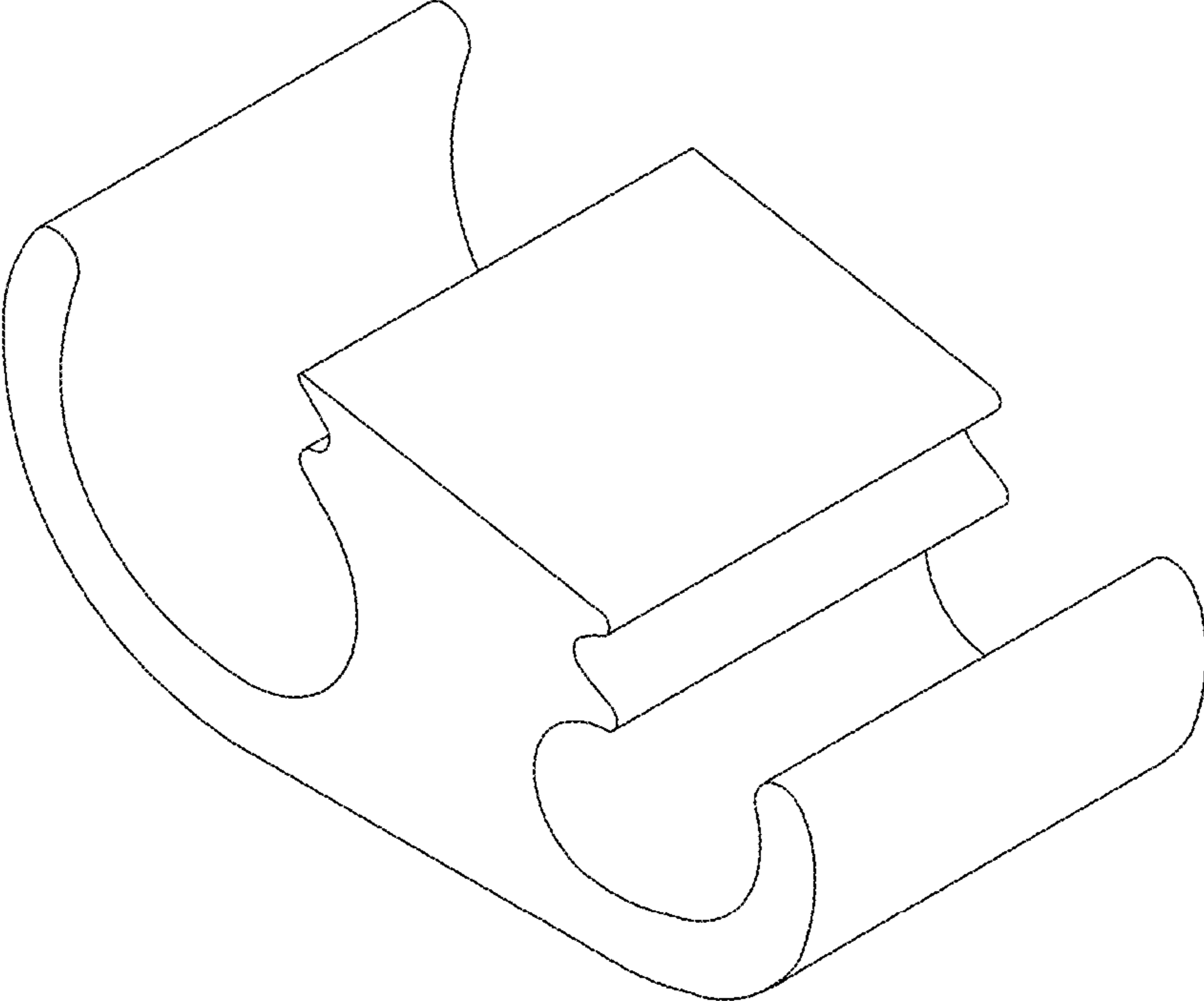


FIG. 2

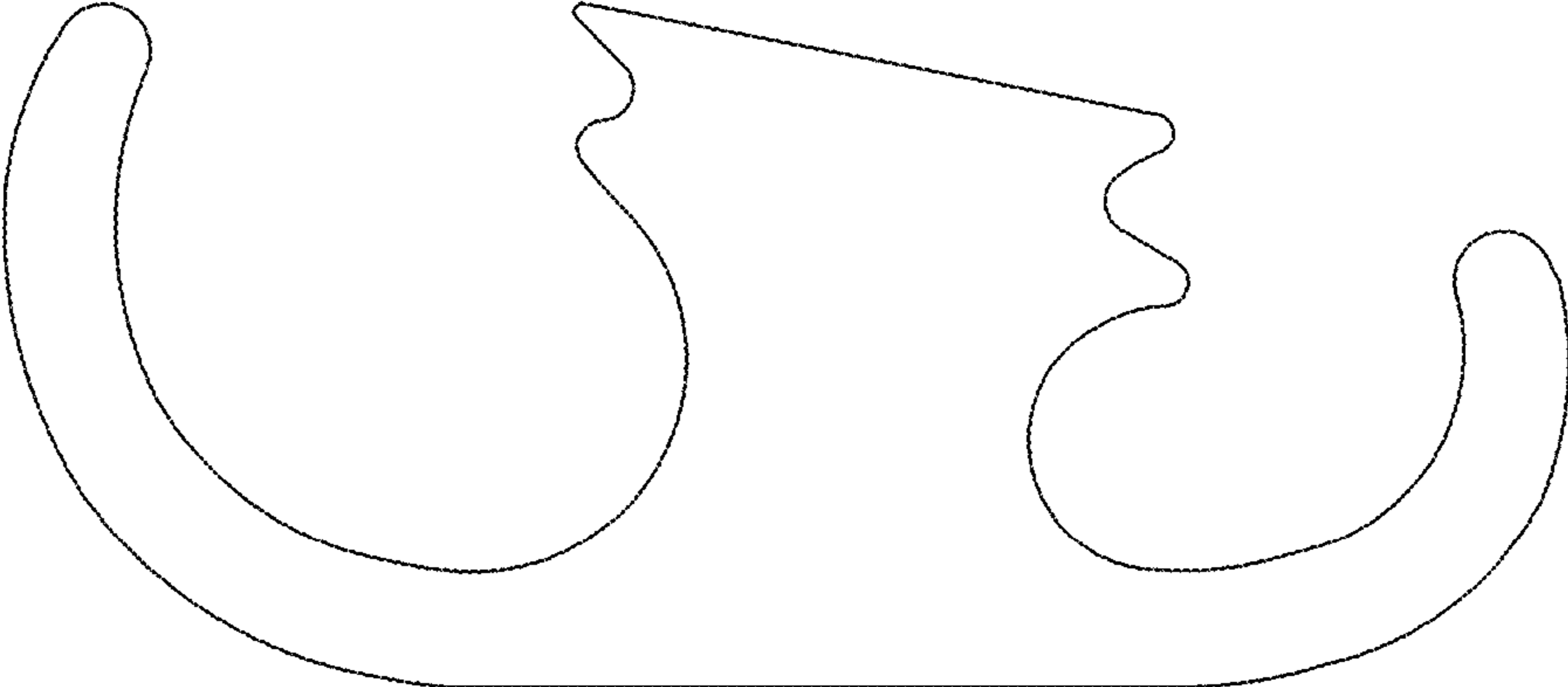


FIG. 3

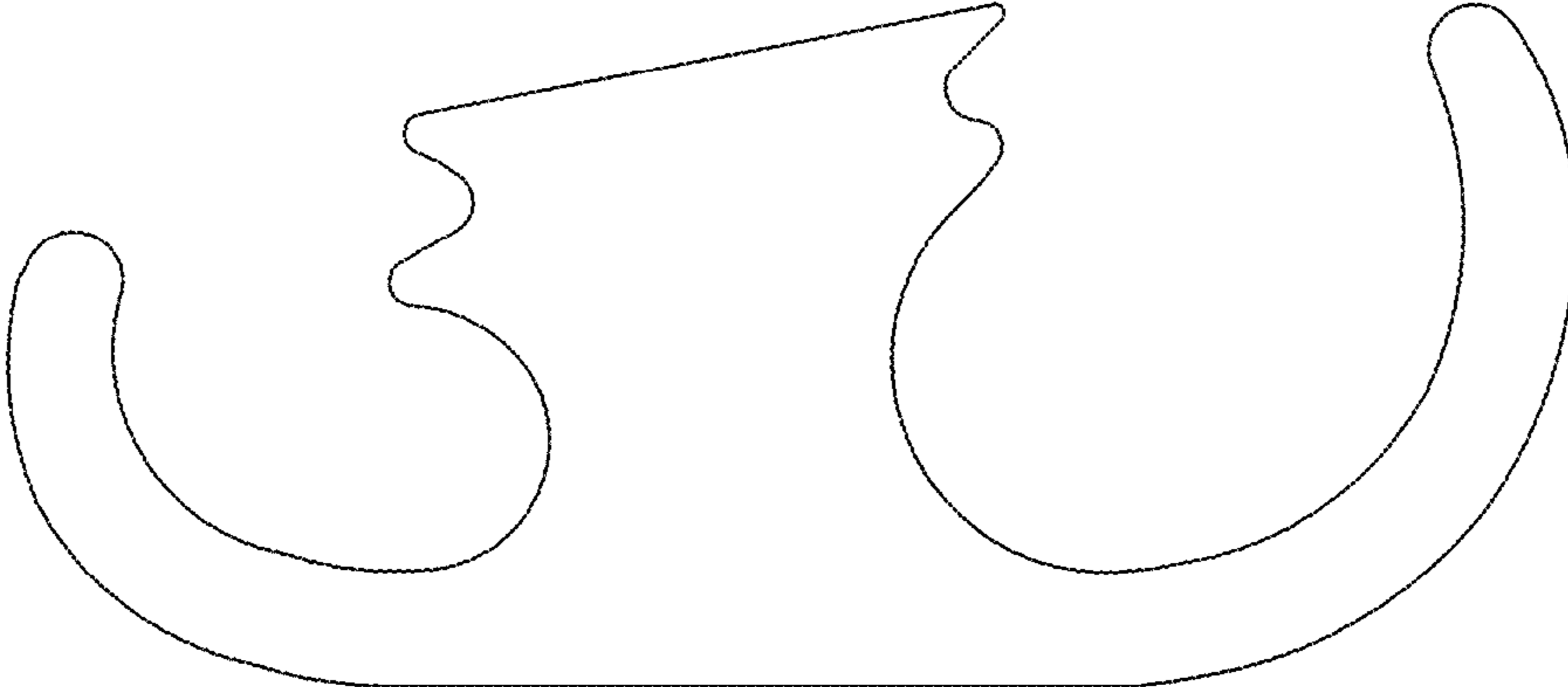


FIG. 4

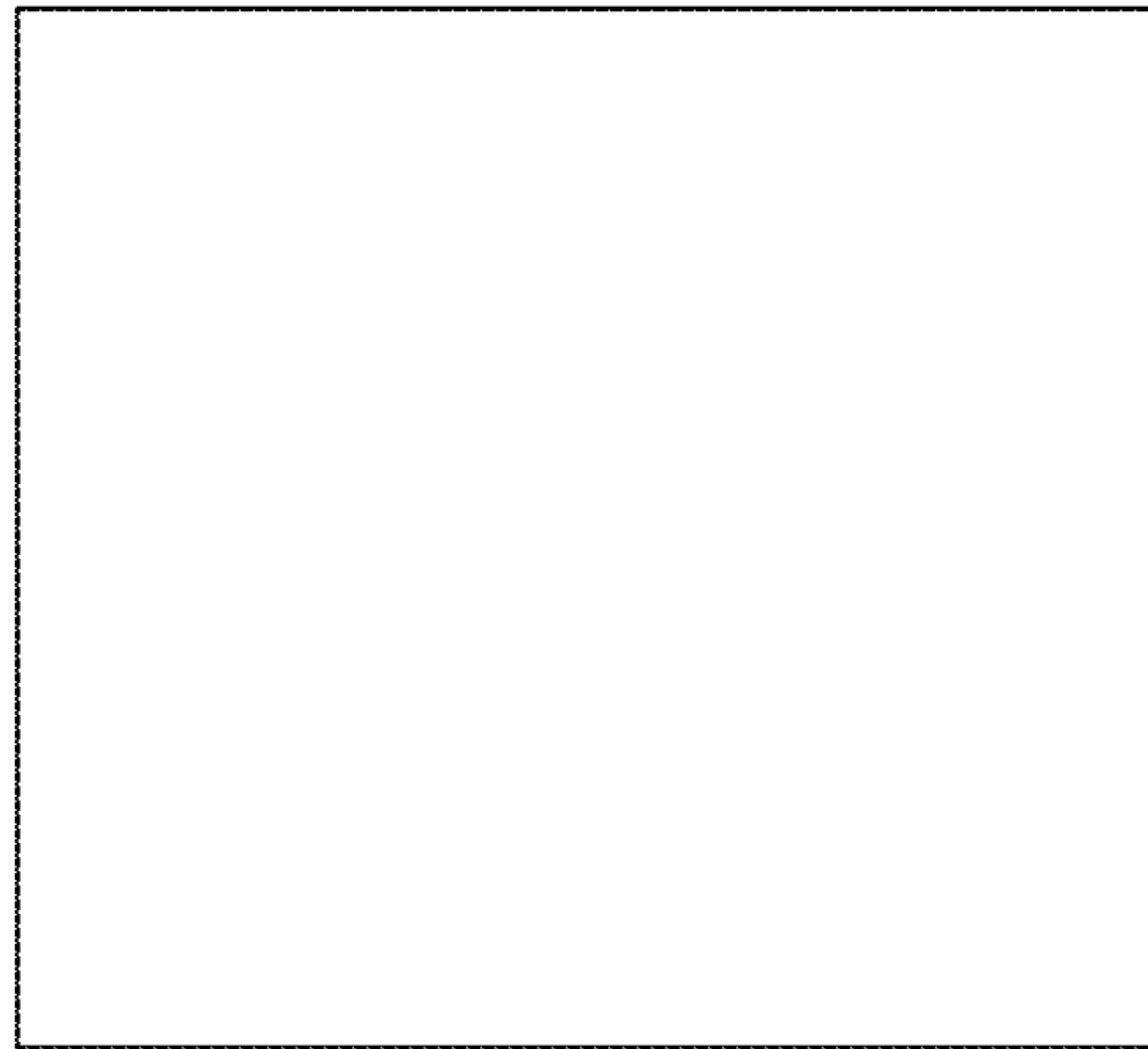


FIG. 5

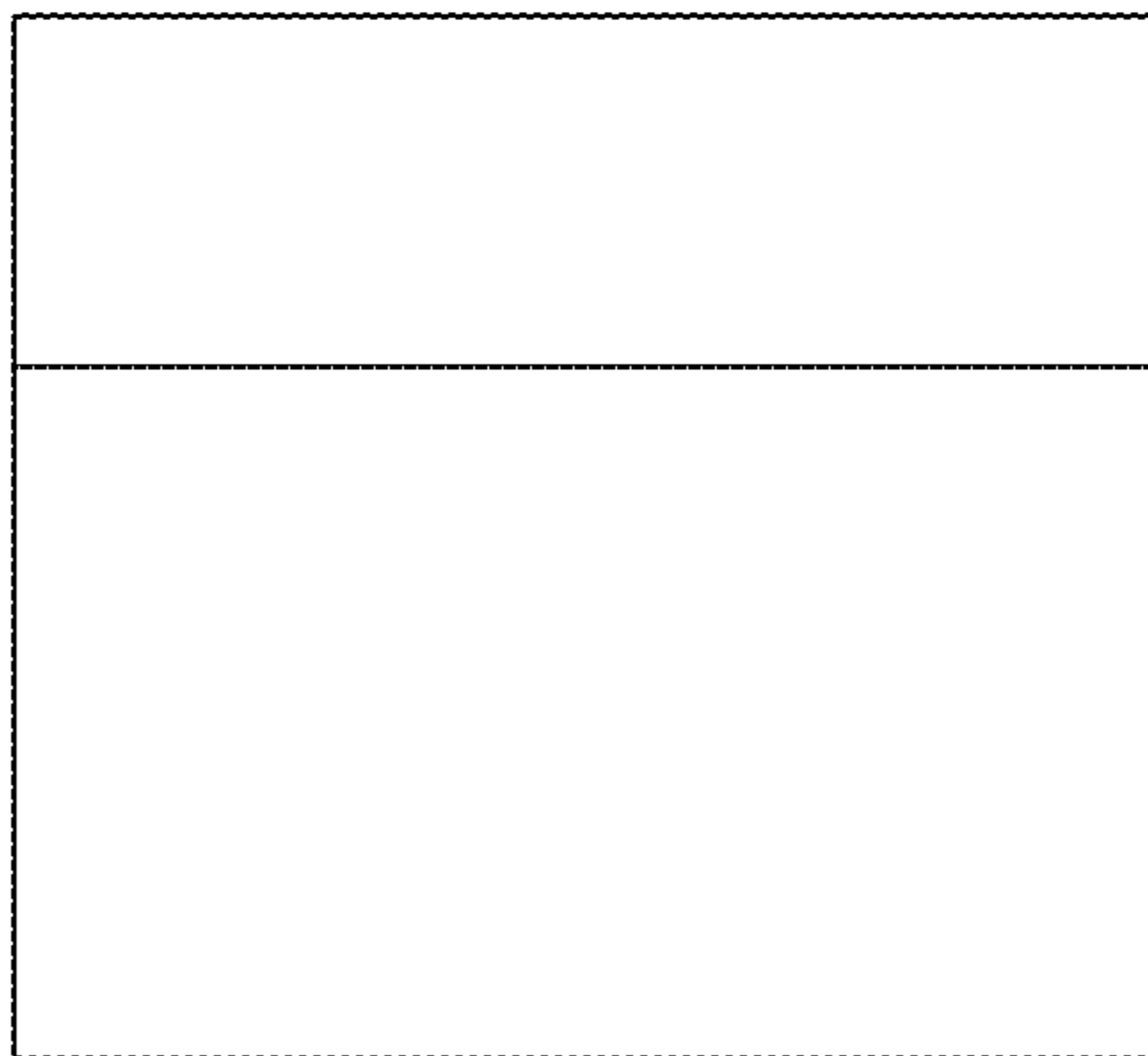


FIG. 6

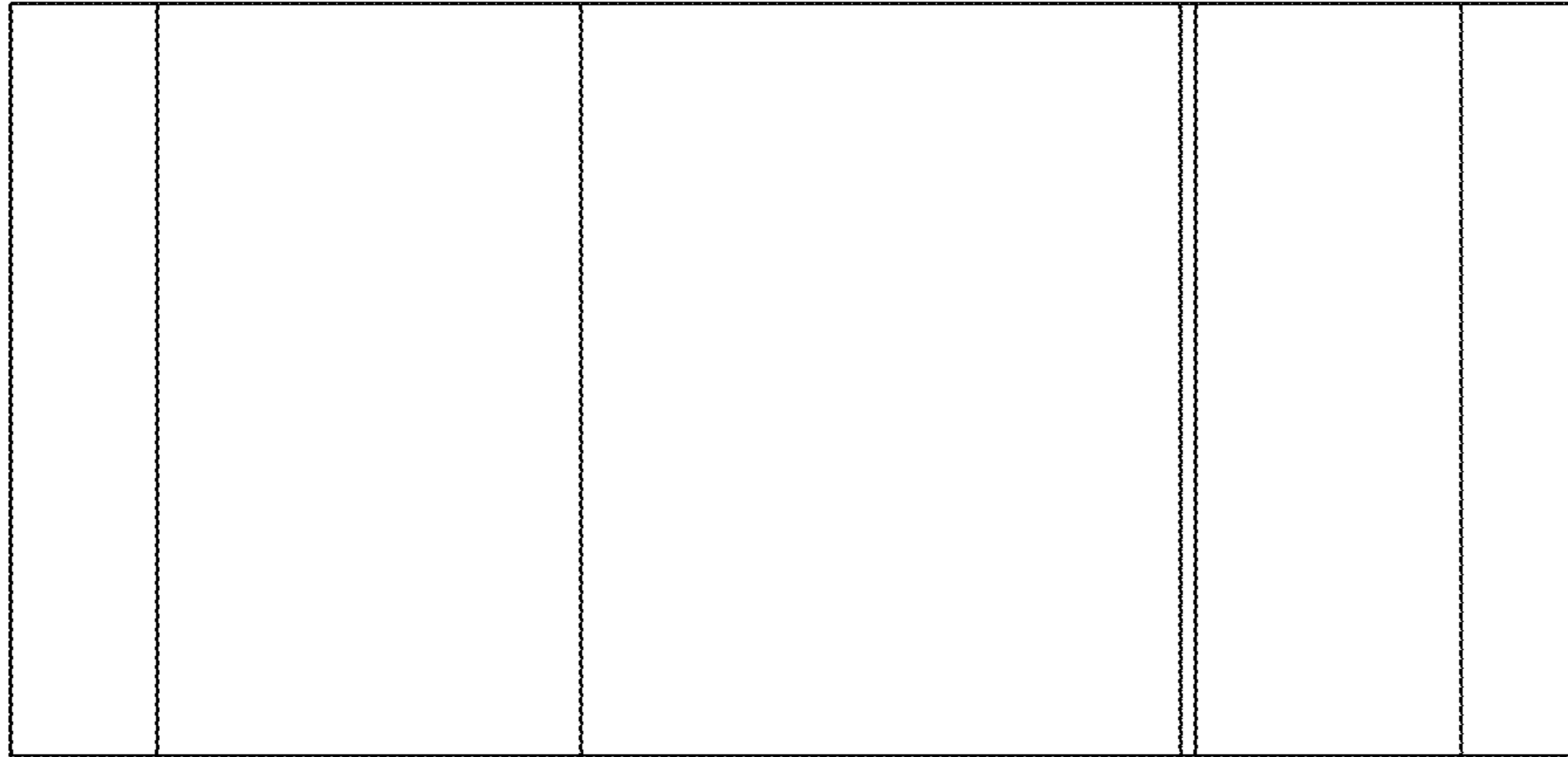


FIG. 7

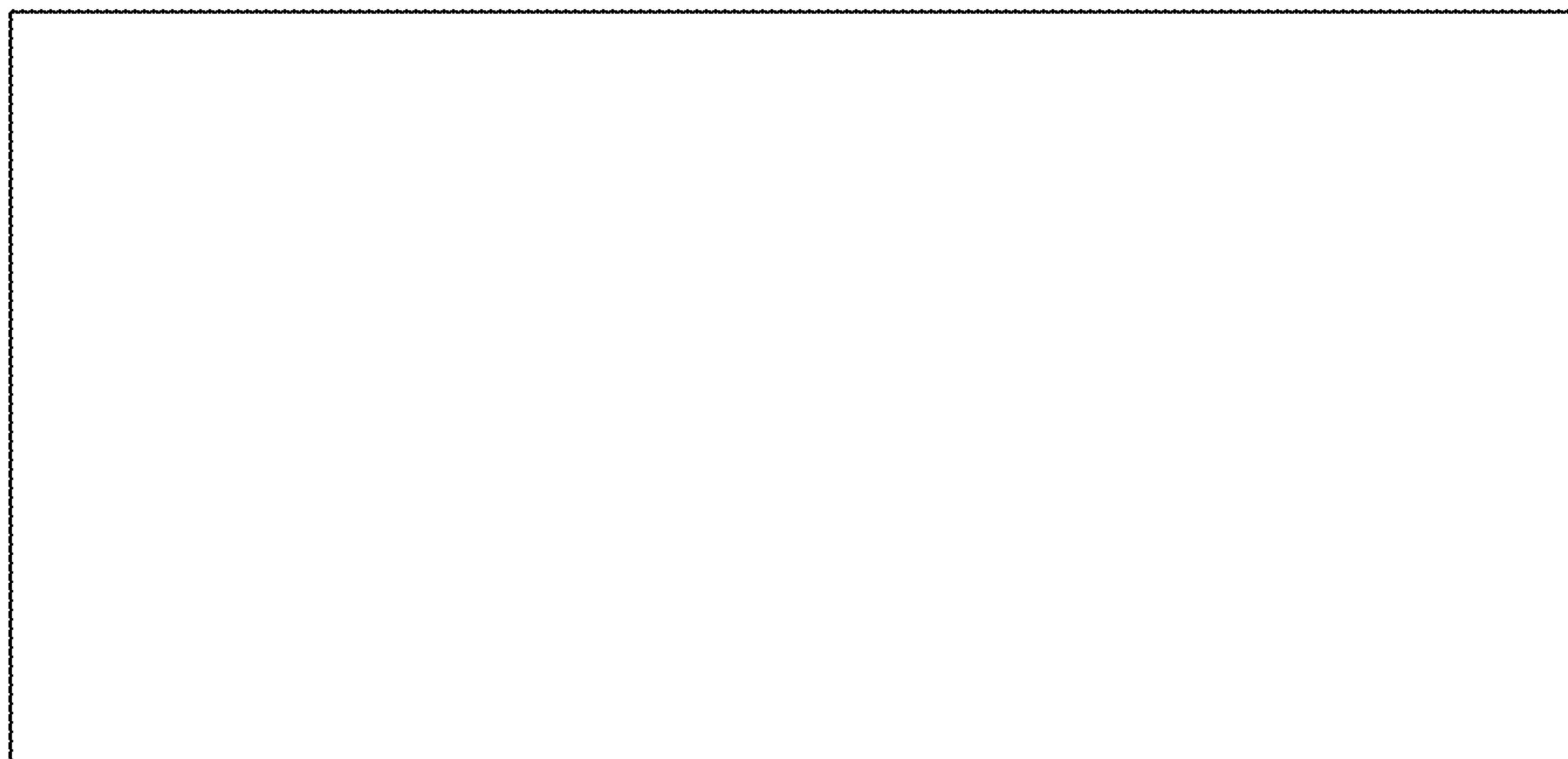


FIG. 8